

INSTRUCTION MANUAL

CEILING FAN

CF14080EU3BB / CF14080EU3BW (HGK-XJ04Z)

80W/220-240V/50-60Hz



CAUTION: A qualified electrical technician only should install this fan. Kindly be aware that INCORRECTLY installed ceiling fans can be dangerous.

MOTOR GIVES OFF BURNING SMELL: This is caused by the burning off, of varnish on the windings and will gradually disappear. The symptom may persist for eight hours. (Burning off excess varnish on windings)

J HOOK INSTALLATION (ONLY FOR REFERENCE)

CAUTION

A. Be sure that J hook can support a load of not less than 25kgs.

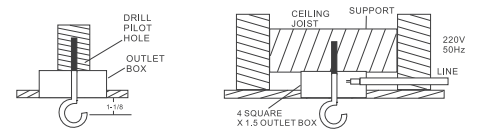
B. Non-metallic outlet box should not be used.

C. A lubricant should not be used on the single mounting screw.

1. Drill pilot hole into ceiling material for easy installation of hook. Be sure that the pilot hole is drilled no larger than the minor diameter of the mounting screw threads.

2. Install hook into ceiling pilot hole with at least 1.5 inches of the mounting screw threads securing into a structural wood joist to provide a secure mounting. Remain 1-1/8 inches gap between the hook tip and ceiling as shown in FIG.1.

3. Install outlet box onto the ceiling.



(FIG.1)

CAUTION

1. Don't let the blades less than 2.3M from the floor.

2. This fan is not fit for use by person(s) with reduced physical or sensory capabilities (including children), unless otherwise supervised by a person responsible for their safety.

FAN ASSEMBLY AND HANGING

1. Unpack the fan see whether all components and parts are complete and in good condition.

2. Check the rating plate on the motor head (11) to see whether the voltage and frequency are suitable for local use.

3. Slip the upper canopy (3) into the down rod (1).

4. Slip the lower canopy (5) onto the down rod (1).

5. Feed the wires (2) through the down rod (1) and connect to the wire terminal block (10).

IMPORTANT: Make sure the fan earth wire is connected with supply ground wire properly.

6. Insert the down rod (1) into the hanger (8) and fix it with bolt (6) and split pin (7). Be sure to tighten the Hex Nut (15).

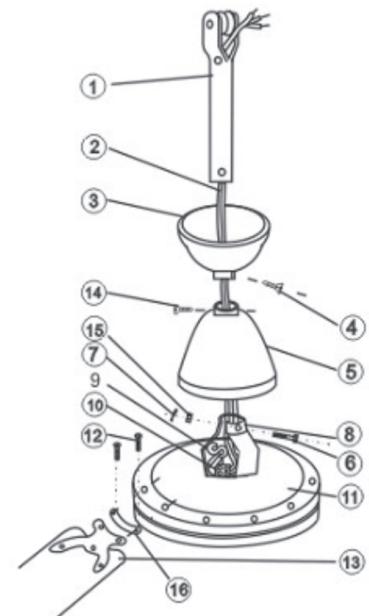
7. Fix the lower canopy (5) to the down rod (1) with set screws (14).

8. Fix the blades (13) firmly onto the motor head (11) by screws and washers (12). Remember to put the shock absorber (16) under the blade to prevent wobbling.

9. Hang the fan on the hanger hook. (FIG.1)

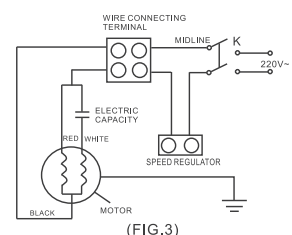
10. Connect the leads (2) to the power supply. (220V 50Hz) and the earth wire to the earth.

11. Tighten the upper canopy (3) onto the upper end of the down rod (1) by set screws (4).



SPEED REGULATOR CONNECTION

Loosen the regulator cover and the base connection surface of the two screws, take the following cover, the regulator chained to the ceiling fan in the power phase of the circuit, in the fixed-line, it must be equipped with all-pole disconnect device power(FIG.3 - K). The contact opening range should be greater than 3mm.



(FIG.3)

