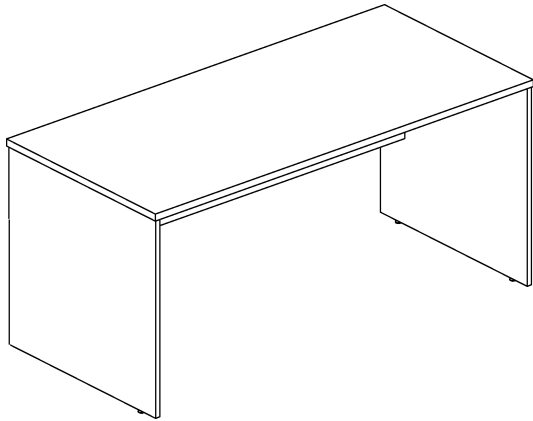


01	707*740	1/1
02	1554*400	1/1
03	707*740	1/1
04	1600*750	1/1



 A	 B	 C	 D						
x10	x10	x8	x4						

