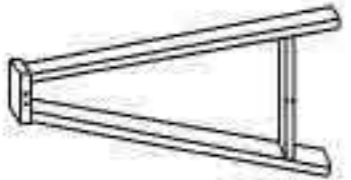



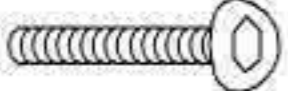

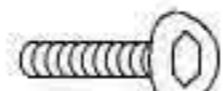

 Ax1	 Bx4	 Cx2	 Dx2	 Ex1
 Fx12	 Gx8	 Hx12	 Ix1	