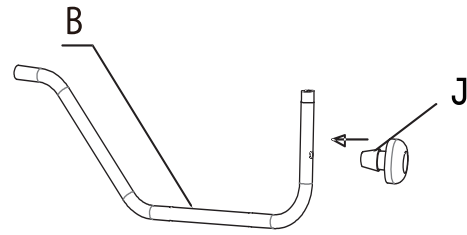


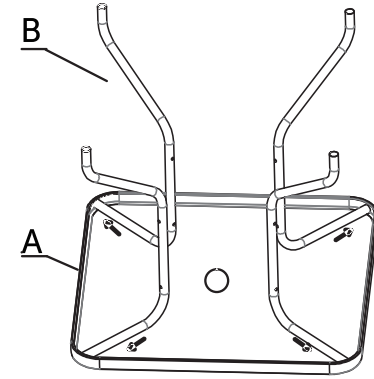


A		1	
B		4	
C		1	
D		1	
E	M6x55mm	8	
F		M6	16
G		M6	8
H		8	
I		8	
J		4	
K		1	
M		1	

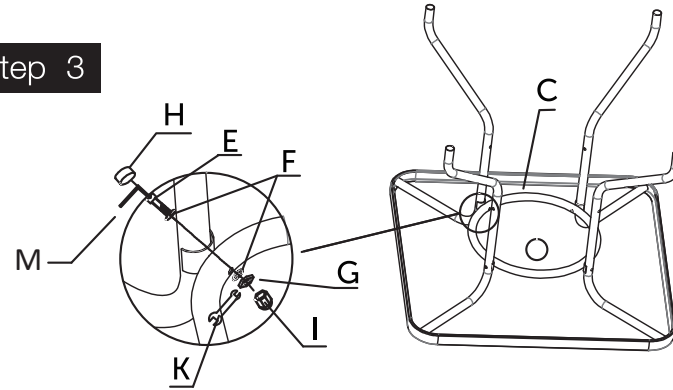
Step 1



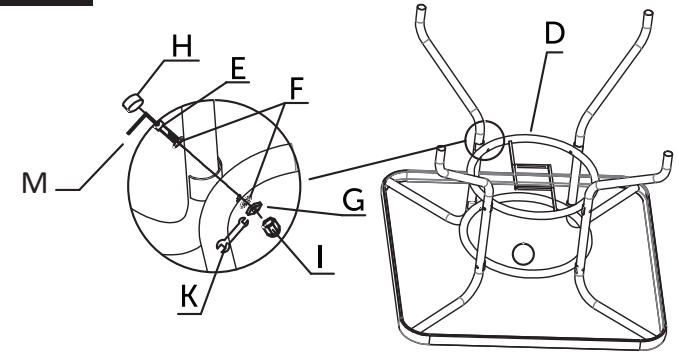
Step 2



Step 3



Step 4



Step 5

