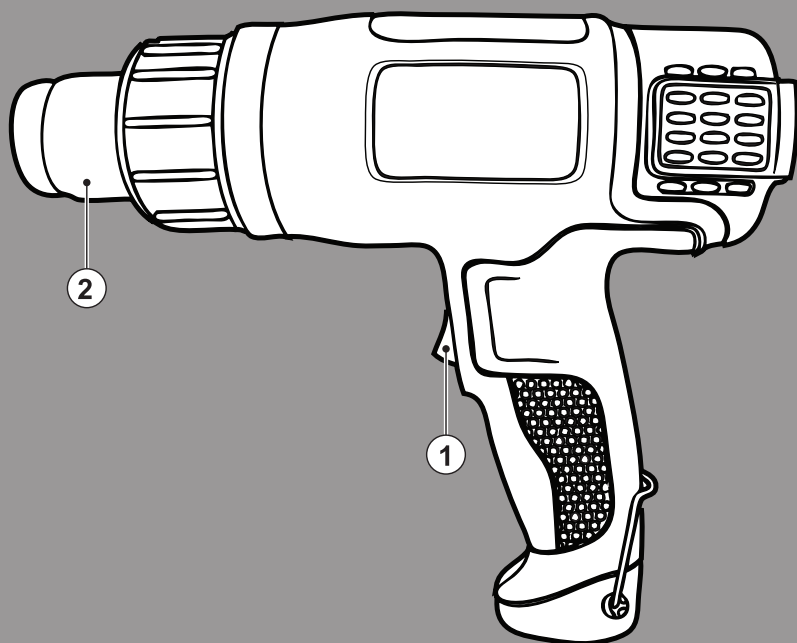
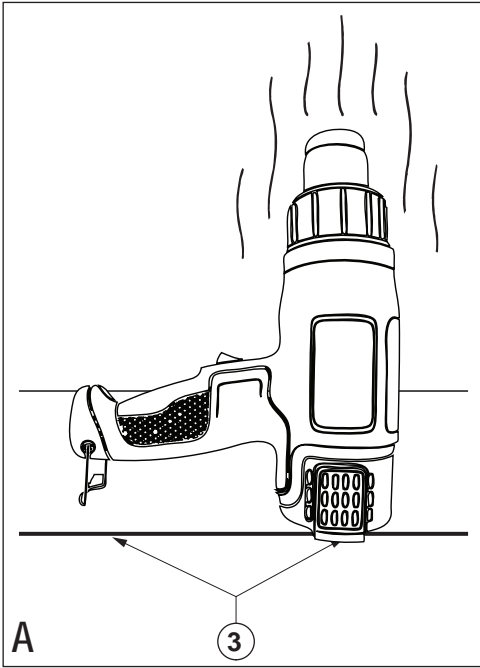


 **BLACK&DECKER®**



www.blackanddecker.co.uk

KX1650



Intended use

Your Black & Decker heat gun has been designed for various heating applications such as paint stripping. This product is intended for consumer use and indoor use only.

Safety instructions

General power tool safety warnings



Warning! Read all safety warnings and all instructions. Failure to follow the warnings and instructions listed below may result in electric shock, fire and/or serious injury.

Save all warnings and instructions for future reference.

The term "power tool" in all of the warnings listed below refers to your mains operated (corded) power tool or battery operated (cordless) power tool.

1. Work area safety

- Keep **work area clean and well lit**. Cluttered or dark areas invite accidents.
- Do not operate power tools in explosive atmospheres, such as in the presence of flammable liquids, gases or dust.** Power tools create sparks which may ignite the dust or fumes.
- Keep **children and bystanders away while operating a power tool**. Distractions can cause you to lose control.

2. Electrical safety

- Power tool plugs must match the outlet. Never modify the plug in any way. Do not use any adapter plugs with earthed (grounded) power tools.** Unmodified plugs and matching outlets will reduce risk of electric shock.
- Avoid body contact with earthed or grounded surfaces such as pipes, radiators, ranges and refrigerators.** There is an increased risk of electric shock if your body is earthed or grounded.
- Do not expose power tools to rain or wet conditions.** Water entering a power tool will increase the risk of electric shock.
- Do not abuse the cord. Never use the cord for carrying, pulling or unplugging the power tool. Keep cord away from heat, oil, sharp edges or moving parts.** Damaged or entangled cords increase the risk of electric shock.
- When operating a power tool outdoors, use an extension cord suitable for outdoor use.** Use of a cord suitable for outdoor use reduces the risk of electric shock.
- If operating a power tool in a damp location is unavoidable, use a residual current device (RCD) protected supply.** Use of an RCD reduces the risk of electric shock.

3. Personal safety

- Stay alert, watch what you are doing and use common sense when operating a power tool. Do not use a power tool while you are tired or under the influence of drugs, alcohol or medication.** A moment of inattention while operating power tools may result in serious personal injury.
 - Use personal protective equipment. Always wear eye protection.** Protective equipment such as dust mask, non-skid safety shoes, hard hat, or hearing protection used for appropriate conditions will reduce personal injuries.
 - Prevent unintentional starting. Ensure the switch is in the off-position before connecting to power source and/or battery pack, picking up or carrying the tool.** Carrying power tools with your finger on the switch or energising power tools that have the switch on invites accidents.
 - Remove any adjusting key or wrench before turning the power tool on.** A wrench or a key left attached to a rotating part of the power tool may result in personal injury.
 - Do not overreach. Keep proper footing and balance at all times.** This enables better control of the power tool in unexpected situations.
 - Dress properly. Do not wear loose clothing or jewellery. Keep your hair, clothing and gloves away from moving parts.** Loose clothes, jewellery or long hair can be caught in moving parts.
 - If devices are provided for the connection of dust extraction and collection facilities, ensure these are connected and properly used.** Use of dust collection can reduce dust-related hazards.
- #### 4. Power tool use and care
- Do not force the power tool. Use the correct power tool for your application.** The correct power tool will do the job better and safer at the rate for which it was designed.
 - Do not use the power tool if the switch does not turn it on and off.** Any power tool that cannot be controlled with the switch is dangerous and must be repaired.
 - Disconnect the plug from the power source and/or the battery pack from the power tool before making any adjustments, changing accessories, or storing power tools.** Such preventive safety measures reduce the risk of starting the power tool accidentally.
 - Store idle power tools out of the reach of children and do not allow persons unfamiliar with the power tool or these instructions to operate the power tool.** Power tools are dangerous in the hands of untrained users.

- e. **Maintain power tools.** Check for misalignment or binding of moving parts, breakage of parts and any other condition that may affect the power tools operation. If damaged, have the power tool repaired before use. Many accidents are caused by poorly maintained power tools.
 - f. **Keep cutting tools sharp and clean.** Properly maintained cutting tools with sharp cutting edges are less likely to bind and are easier to control.
 - g. **Use the power tool, accessories and tool bits etc. in accordance with these instructions, taking into account the working conditions and the work to be performed.** Use of the power tool for operations different from those intended could result in a hazardous situation.
5. Service
- a. **Have your power tool serviced by a qualified repair person using only identical replacement parts.** This will ensure that the safety of the power tool is maintained.

Additional power tool safety warnings



Warning! Additional safety instructions for heat guns.

Warning: Do not use outdoors, indoor use only.

Warning: This appliance must be placed on its stand when not in use.

Warning: A fire may result if the appliance is not used with care, therefore be careful when using the appliance in places where there are combustible materials.

- ◆ Do not apply heat to the same place for a long time.
- ◆ Do not use in presence of an explosive atmosphere.
- ◆ Be aware that heat may be conducted to combustible materials that are out of sight.
- ◆ Place the appliance on its stand after use and allow it to cool down before storage.
- ◆ Do not leave the appliance unattended when it is switched on.
- ◆ Do not obstruct either the air intake slots or the nozzle outlet as this may cause excessive heat build up resulting in damage to the appliance.
- ◆ Do not direct the hot air flow at other people or animals.
- ◆ Do not touch the nozzle as it becomes very hot during use and remains hot for up to 30 minutes after use.
- ◆ Do not place the nozzle against any object during or immediately after use.
- ◆ Do not poke anything down the nozzle as it could give you an electric shock.
- ◆ Do not look down the nozzle while the appliance is switched on.
- ◆ Do not use the appliance as a hair dryer! The air temperature is far higher than a hardware.

- ◆ Ensure adequate ventilation during use as toxic fumes may be produced.
- ◆ Do not use the appliance in a damp atmosphere.
- ◆ When stripping paint, ensure that the work area is enclosed. Wear a dust mask specifically designed for protection against lead paint dust and fumes and ensure that persons within or entering the work area are also protected.
- ◆ Do not burn paint, as it could cause a fire hazard.
- ◆ Do not allow paint to adhere to the nozzle as it could ignite after some time.
- ◆ Switch off the appliance and allow it to cool before fitting any accessory.

Stripping lead-based paint

- ◆ Extreme care should be taken when stripping paint. The peelings, residue and vapours of paint may contain lead, which is poisonous. Any pre-1960 building may in the past have been painted with paint containing lead. This paint may be covered with additional layers of paint. Once deposited on surfaces, hand to mouth contact can result in the ingestion of lead.
- ◆ Exposures to even low levels of lead can cause irreversible brain and nervous system damage. The greatest danger of lead poisoning is to children and pregnant women.
- ◆ Before starting work, it is important to determine whether the paint to be stripped contains lead. This can be done using a test kit or by a professional decorator. Do not smoke, eat or drink in a work area that could or may be contaminated by lead. Lead based paints should only be removed by a professional and should not be removed using a heat gun.

Safety of others

- ◆ This appliance is not intended for use by persons (including children) with reduced physical, sensory or mental capabilities, or lack of experience and knowledge, unless they have been given supervision or instruction concerning use of the appliance by a person responsible for their safety.
- ◆ Children should be supervised to ensure that they do not play with the appliance.

Residual risks.

Additional residual risks may arise when using the tool which may not be included in the enclosed safety warnings. These risks can arise from misuse, prolonged use etc. Even with the application of the relevant safety regulations and the implementation of safety devices, certain residual risks can not be avoided. These include:

- ◆ Injuries caused by touching any rotating/moving parts.
- ◆ Injuries caused when changing any parts, blades or accessories.
- ◆ Injuries caused by prolonged use of a tool. When using any tool for prolonged periods ensure you take regular breaks.
- ◆ Impairment of hearing.
- ◆ Health hazards caused by breathing dust developed when using your tool (example:- working with wood, especially oak, beech and MDF.)

Labels on tool

The following pictograms are shown on the tool:



Warning! To reduce the risk of injury, the user must read the instruction manual.

Electrical safety



This tool is double insulated; therefore no earth wire is required. Always check that the power supply corresponds to the voltage on the rating plate.

- ◆ If the supply cord is damaged, it must be replaced by the manufacturer or an authorised Black & Decker Service Centre in order to avoid a hazard.

Extension cables

- ◆ A 2 or 3 core cable may be used as the appliance is double insulated and of class II construction.
- ◆ Up to 30m (100 ft) can be used without loss of power.

Features

This tool includes some or all of the following features.

1. On/off switch
2. Nozzle

Assembly

Warning! Before assembly, make sure that the tool is switched off and unplugged.

Fitting an accessory

A selected range of accessories can be obtained from your local retailer.

- **Cone nozzle:** Concentrates the air stream on a smaller area.
- **Fish tail:** Spreads the air stream over a wider area
- **Spoon reflector:** For soldering pipes.
- **Glass protector:** For the protection of glass during paint stripping.
- **Scraper:** For the removal and stripping paint and varnish.

- ◆ Fit the connecting piece of the accessory over the nozzle (2).

Use

Switching on and off

- ◆ To switch the tool on at the low air speed, low heat, set the on/off switch to position I.
- ◆ To switch the tool on at the high air speed, high heat, set the on/off switch to position II.
- ◆ To switch the tool off, set the on/off switch to position O.

Using the tool

Your tool is fitted with a thermostat for your safety. Using the tool continuously for very long periods or other severe duty cycles may cause the tool to overheat and stop working. It is therefore recommended that you allow the tool to cool down at regular intervals during use.

- ◆ Allow the tool to heat up for a few seconds before use.
- ◆ At first use some smoke may emit from the nozzle. This is normal and will soon decrease.
- ◆ Use a low temperature setting for drying paint and varnish, removing stickers, shrinking insulation tubes, and thawing frozen pipes.
- ◆ Use a high temperature setting for removing paints and lacquers, and soldering plumbing joints.
- ◆ If you are unsure about using this tool on a particular material, start with a low temperature setting and perform a test on scrap material.

Hands free use (fig. A)

The tool has stand locations (3) to facilitate hands free use.

- ◆ Place the tool with the nozzle up on a surface where it cannot be tipped over.
- ◆ Secure the cable to prevent pulling the tool over.

Warning! Always point the tool away from yourself or other persons. Do not touch the nozzle. Take care that no material drops into the nozzle.

Paint stripping

- ◆ Direct the hot air at the working area to heat up the paint.
- ◆ Do not burn the paint. Keep the nozzle at least 25 mm from the surface.
- ◆ When the paint softens, remove the paint using a scraper. Scrape the softened paint immediately or it will harden again.
- ◆ Scrape with the grain of the wood wherever possible.
- ◆ Do not allow paint and debris to collect on the scraper.
- ◆ When scraping from a vertical position, scrape downwards to prevent the paint from falling back into the nozzle.
- ◆ When stripping paint from a surface next to glass, take the necessary measures to protect the glass from the heat.

Warning! Use a glass protector nozzle when stripping paint from metal or wood framed windows.

- ◆ Dispose of all paint debris safely and make sure that the work area is thoroughly clean after use.

Cooling down

During use, the nozzle of the tool becomes extremely hot. After switching off, leave the tool to cool down for at least 30 minutes.

- ◆ Place the tool with the nozzle up on a surface where it cannot be tipped over.
- ◆ To speed up the cooling time, run the tool on a low minimum temperature setting for a few minutes before switching off.

Maintenance

Your Black & Decker appliance has been designed to operate over a long period of time with a minimum of maintenance. Continuous satisfactory operation depends upon proper care and regular cleaning of the appliance.

Warning! Switch off and unplug the appliance and allow it to cool down before doing any maintenance on the appliance.

- ◆ Regularly clean the ventilation slots in your appliance using a soft brush or dry cloth.
- ◆ To clean the appliance, use only mild soap and a damp cloth. Do not use any abrasive or solvent-based cleaner. Never let any liquid get inside the appliance and never immerse any part of the appliance into liquid.

Mains plug replacement (U.K. & Ireland only)

If a new mains plug needs to be fitted:

- ◆ Safely dispose of the old plug.
- ◆ Connect the brown lead to the live terminal in the new plug.
- ◆ Connect the blue lead to the neutral terminal.

Warning! No connection is to be made to the earth terminal. Follow the fitting instructions supplied with good quality plugs. Recommended fuse: 13 A.

Protecting the environment



Separate collection. This product must not be disposed of with normal household waste.

Should you find one day that your Black & Decker product needs replacement, or if it is of no further use to you, do not dispose of it with household waste. Make this product available for separate collection.



Separate collection of used products and packaging allows materials to be recycled and used again. Re-use of recycled materials helps prevent environmental pollution and reduces the demand for raw materials.

Local regulations may provide for separate collection of electrical products from the household, at municipal waste sites or by the retailer when you purchase a new product.

Black & Decker provides a facility for the collection and recycling of Black & Decker products once they have reached the end of their working life. To take advantage of this service please return your product to any authorised repair agent who will collect them on our behalf.

You can check the location of your nearest authorised repair agent by contacting your local Black & Decker office at the address indicated in this manual. Alternatively, a list of authorised Black & Decker repair agents and full details of our after-sales service and contacts are available on the Internet at: www.2helpU.com

Technical data

		KX1650 (Type 1)
Input voltage	V _{ac}	230
Construction		Class II
Power input	W	1750
Temperature range	°C	460 - 600
Weight	kg	0.6

Guarantee

Black & Decker is confident of the quality of its products and offers an outstanding guarantee. This guarantee statement is in addition to and in no way prejudices your statutory rights. The guarantee is valid within the territories of the Member States of the European Union and the European Free Trade Area.

If a Black & Decker product becomes defective due to faulty materials, workmanship or lack of conformity, within 24 months from the date of purchase, Black & Decker guarantees to replace defective parts, repair products subjected to fair wear and tear or replace such products to ensure minimum inconvenience to the customer unless:

- ◆ The product has been used for trade, professional or hire purposes;
- ◆ The product has been subjected to misuse or neglect;
- ◆ The product has sustained damage through foreign objects, substances or accidents;
- ◆ Repairs have been attempted by persons other than authorised repair agents or Black & Decker service staff.

To claim on the guarantee, you will need to submit proof of purchase to the seller or an authorised repair agent. You can check the location of your nearest authorised repair agent by contacting your local Black & Decker office at the address indicated in this manual. Alternatively, a list of authorised Black & Decker repair agents and full details of our after-sales service and contacts are available on the Internet at: www.2helpU.com

Please visit our website www.blackanddecker.co.uk to register your new Black & Decker product and to be kept up to date on new products and special offers. Further information on the Black & Decker brand and our range of products is available at www.blackanddecker.co.uk

Bestimmungsgemäße Verwendung

Die Black & Decker Heißluftpistole wurde für verschiedene Heißluftanwendungen, wie z. B. das Entfernen von Farbe, entwickelt. Dieses Gerät ist weder für den gewerblichen Einsatz noch für den Einsatz im Freien vorgesehen.

Sicherheitshinweise

Allgemeine Sicherheitswarnungen für das Gerät



Achtung! Lesen Sie **sämtliche Sicherheitswarnungen und Anweisungen**. Die Nichteinhaltung der nachstehend aufgeführten Warnungen und Anweisungen kann einen elektrischen Schlag, Brand und/oder schwere Verletzungen verursachen.

Bewahren Sie alle Sicherheitswarnungen und Anweisungen gut auf. Der nachfolgend verwendete Begriff „Gerät“ bezieht sich auf netzbetriebene Geräte (mit Netzkabel) und auf akkubetriebene Geräte (ohne Netzkabel).

1. Sicherheit im Arbeitsbereich

- Halten Sie Ihren Arbeitsbereich sauber, und sorgen Sie für ausreichende Beleuchtung.** Unordnung oder dunkle Arbeitsbereiche können zu Unfällen führen.
- Verwenden Sie die Geräte nicht in Umgebungen, in denen Explosionsgefahr z. B. aufgrund von brennbaren Flüssigkeiten, Gasen oder Staub besteht.** Geräte erzeugen Funken, die den Staub oder die Dämpfe entzünden können.
- Halten Sie Kinder und andere Personen während der Benutzung eines Geräts fern.** Bei Ablenkung können Sie die Kontrolle verlieren.

2. Elektrische Sicherheit

- Der Netzstecker des Geräts muss in die Steckdose passen.** Der Stecker darf in keiner Weise verändert werden. Verwenden Sie für schutzgeerdete Geräte keine Adapterstecker. Unveränderte Stecker und passende Steckdosen verringern das Risiko eines elektrischen Schlags.
- Vermeiden Sie Körperkontakt mit geerdeten Oberflächen von Rohren, Heizungen, Herden und Kühlschränken.** Es besteht ein erhöhtes Risiko eines elektrischen Schlags, wenn Ihr Körper geerdet ist.
- Halten Sie Geräte von Regen und Feuchtigkeit fern.** Das Eindringen von Wasser in ein Gerät erhöht das Risiko eines elektrischen Schlags.

- Verwenden Sie das Kabel ordnungsgemäß.** Verwenden Sie es **niemals zum Tragen**. Trennen Sie das Gerät **nicht durch Ziehen am Kabel vom Netz**. Halten Sie das Kabel **fern von Hitze, Öl, scharfen Kanten oder sich bewegenden Teilen**. Beschädigte oder verwickelte Kabel erhöhen das Risiko eines elektrischen Schlags.
- Verwenden Sie nur für den Außenbereich zugelassene Verlängerungskabel, wenn Sie mit dem Gerät im Freien arbeiten.** Die Verwendung eines für den Außenbereich geeigneten Verlängerungskabels verringert das Risiko eines elektrischen Schlags.
- Wenn das Gerät in einer feuchten Umgebung verwendet werden muss, schließen Sie es unbedingt an eine Steckdose mit Fehlerstromschutzschalter (RCD).** Die Verwendung eines Fehlerstromschutzschalters verringert das Risiko eines elektrischen Schlags.

3. Sicherheit von Personen

- Verwenden Sie das Gerät aufmerksam und vernünftig.** Benutzen Sie das Gerät **nicht, wenn Sie müde sind oder unter dem Einfluss von Drogen, Alkohol oder Medikamenten stehen**. Ein Moment der Unachtsamkeit beim Gebrauch von Geräten kann zu ernsthaften Verletzungen führen.
- Verwenden Sie eine geeignete Schutzausrüstung.** Tragen Sie **stets eine Schutzbrille**. Schutzausrüstung wie Staubmaske, rutschfeste Sicherheitsschuhe, Schutzhelm oder Gehörschutz, je nach Art und Einsatz des Geräts, verringert das Risiko von Verletzungen.
- Vermeiden Sie eine unbeabsichtigte Inbetriebnahme.** Vergewissern Sie sich, dass das Gerät **ausgeschaltet ist, bevor Sie es an eine Steckdose oder einen Akku anschließen, es hochheben oder tragen**. Durch das Tragen des Geräts mit dem Finger am Schalter oder durch das Anschließen eingeschalteter Geräte werden Unfälle provoziert.
- Entfernen Sie Einstell- oder Schraubenschlüssel, bevor Sie das Gerät einschalten.** Ein Schlüssel in einem sich drehenden Teil kann zu Verletzungen führen.
- Beugen Sie sich nicht zu weit nach vorne über.** Achten Sie auf einen sicheren Stand, um in jeder Arbeitsposition das Gleichgewicht zu halten. Dadurch können Sie das Gerät in unerwarteten Situationen besser unter Kontrolle halten.
- Tragen Sie geeignete Kleidung.** Tragen Sie **keine weite Kleidung oder Schmuck**. Halten Sie **Haare, Kleidung und Handschuhe fern von sich bewegenden Teilen**. Lockere Kleidung, Schmuck oder lange Haare können von sich bewegenden Teilen erfasst werden.

- g. Falls Staubabsaug- und -fangvorrichtungen vorhanden sind, vergewissern Sie sich, dass diese angeschlossen sind und richtig verwendet werden. Das Verwenden einer Staubauffangvorrichtung verringert Gefährdungen durch Staub.

4. Gebrauch und Pflege von Geräten

- a. **Überlasten Sie das Gerät nicht. Verwenden Sie das für Ihre Arbeit passende Gerät.** Durch das Arbeiten in dem für das Gerät angegebenen Leistungsbereich erzielen Sie nicht nur optimale Ergebnisse, Sie erhöhen auch die Sicherheit.
- b. **Verwenden Sie das Gerät nicht, wenn der Ein-/Ausschalter nicht funktioniert.** Ein Gerät, das sich nicht mehr ein- oder ausschalten lässt, ist gefährlich und muss repariert werden.
- c. **Ziehen Sie den Stecker aus der Steckdose, und/oder trennen Sie das Gerät vom Akku, bevor Sie Einstellungen vornehmen, Zubehörteile wechseln oder das Gerät lagern.** Diese Vorsichtsmaßnahme verhindert den unbeabsichtigten Start des Geräts.
- d. **Bewahren Sie unbenutzte Geräte außerhalb der Reichweite von Kindern auf. Lassen Sie Geräte nicht von Personen benutzen, die damit nicht vertraut sind oder diese Anweisungen nicht gelesen haben.** Geräte sind gefährlich, wenn sie von unerfahrenen Personen benutzt werden.
- e. **Halten Sie Geräte in einem einwandfreien Zustand. Kontrollieren Sie, ob bewegliche Teile falsch ausgerichtet sind oder klemmen und ob Teile gebrochen oder so beschädigt sind, dass die Funktion des Geräts beeinträchtigt ist. Lassen Sie beschädigte Geräte vor dem Gebrauch reparieren.** Viele Unfälle haben ihre Ursache in schlecht gewarteten Geräten.
- f. **Halten Sie Schneidwerkzeuge scharf und sauber.** Sorgfältig gepflegte Schneidwerkzeuge mit scharfen Schneidkanten verklemmen sich weniger und sind leichter zu führen.
- g. **Verwenden Sie Geräte, Zubehör, Einsätze usw. entsprechend diesen Anweisungen, und berücksichtigen Sie dabei die Arbeitsbedingungen und die auszuführende Arbeit.** Der Gebrauch von Geräten für andere als die vorgesehenen Anwendungen kann zu gefährlichen Situationen führen.
5. Service
- a. **Lassen Sie das Gerät nur von qualifiziertem Fachpersonal und nur mit Originalersatzteilen reparieren.** So wird gewährleistet, dass die Sicherheit des Geräts erhalten bleibt.

Zusätzliche Sicherheitswarnungen für das Gerät



Achtung! Zusätzliche Sicherheitshinweise für Heißluftpistolen.

Achtung: Das Gerät ist nicht für die Verwendung im Freien geeignet.

Achtung: Wenn das Gerät nicht benutzt wird, muss es auf den dafür vorgesehenen Standflächen abgestellt werden.

Achtung: Durch mangelnde Sorgfalt bei der Benutzung des Geräts können Brände verursacht werden. Verwenden Sie das Gerät an Orten mit brennbaren Materialien daher nur mit äußerster Vorsicht.

- ◆ Richten Sie die heiße Luft nicht für längere Zeit auf dieselbe Stelle.
- ◆ Verwenden Sie das Gerät nicht in explosionsgefährdeter Umgebung.
- ◆ Beachten Sie, dass die Hitze zu brennbaren Materialien weitergeleitet werden kann, die sich nicht im Blickfeld befinden.
- ◆ Stellen Sie das Gerät nach Gebrauch auf seine Standflächen, und lassen Sie es vor der Aufbewahrung abkühlen.
- ◆ Lassen Sie das eingeschaltete Gerät niemals unbeaufsichtigt.
- ◆ Verdecken Sie weder die Lufteinlassschlitze noch die Auslassdüse, da dies einen Heißluftstau und Schäden am Gerät verursachen kann.
- ◆ Richten Sie den Heißluftstrom nicht auf andere Personen oder Tiere.
- ◆ Berühren Sie nicht die Düse. Diese wird während des Betriebs sehr heiß und bleibt auch nach dem Betrieb noch bis zu 30 Minuten lang heiß.
- ◆ Die Düse darf während des Betriebs oder unmittelbar nach dem Betrieb keine Gegenstände berühren.
- ◆ Stecken Sie keine Gegenstände in die Düse, da Sie einen elektrischen Schlag bekommen können.
- ◆ Schauen Sie nicht in die Düse, wenn das Gerät eingeschaltet ist.
- ◆ Verwenden Sie das Gerät nicht als Föhn! Die Lufttemperatur ist sehr viel höher als die eines Föhns.
- ◆ Achten Sie während des Betriebs auf gute Belüftung, da giftige Dämpfe entstehen könnten.
- ◆ Das Gerät darf nicht in feuchter Umgebung verwendet werden.
- ◆ Entfernen Sie Farbe nur in einem geschlossenen Arbeitsbereich. Tragen Sie eine Staubmaske, die speziell für den Schutz vor Stäuben und Dämpfen von bleihaltiger Farbe vorgesehen ist. Stellen Sie außerdem sicher, dass auch Personen geschützt sind, die den Arbeitsplatz betreten oder sich dort aufhalten.
- ◆ Achten Sie darauf, dass die Farbe nicht Feuer fängt, da dies zu Bränden führen kann.

- ◆ Es darf keine Farbe an der Düse kleben bleiben, da sie sich nach einiger Zeit entzünden kann.
- ◆ Schalten Sie das Gerät aus, und warten Sie, bis es abgekühlt ist, bevor Sie Zubehör anbringen.

Entfernen von bleihaltiger Farbe

- ◆ Beim Entfernen von Farbe ist höchste Vorsicht geboten. Farbsplitter, -überreste und -dämpfe können giftiges Blei enthalten. Gebäude, die vor 1960 erbaut wurden, sind möglicherweise mit bleihaltiger Farbe gestrichen. Auf dieser Farbe könnten sich weitere Farbschichten befinden. Bei Ablagerung auf Oberflächen kann durch Hand-zu-Mund-Kontakt Blei vom Körper aufgenommen werden.
- ◆ Belastungen durch selbst niedrige Bleiwerte können irreversible Schäden am Gehirn und im Nervensystem hervorrufen. Für Kinder und Schwangere sind die Gefahren einer Bleivergiftung am größten.
- ◆ Bevor Sie mit dem Arbeitsvorgang beginnen, muss festgestellt werden, ob die zu entfernende Farbe bleihaltig ist. Dies kann mithilfe eines Testsatzes oder durch einen professionellen Maler festgestellt werden. Rauchen, trinken oder essen Sie nicht in einem Arbeitsbereich, der möglicherweise bleiverseucht ist. Bleihaltige Farben sollten nur von einem Fachmann und nicht mithilfe einer Heißluftpistole entfernt werden.

Sicherheit anderer Personen

- ◆ Dieses Gerät darf nicht von Personen (einschließlich Kindern) mit eingeschränkten körperlichen, sensorischen oder geistigen Fähigkeiten sowie mangelnder Erfahrung und Kenntnissen bedient werden, es sei denn, sie werden bei der Verwendung des Geräts von einer erfahrenen Person beaufsichtigt oder angeleitet.
- ◆ Kinder müssen beaufsichtigt werden, um sicherzustellen, dass sie nicht mit dem Gerät spielen.

Restrisiken.

Für den Gebrauch dieses Geräts verbleiben zusätzliche Restrisiken, die möglicherweise nicht in den Sicherheitswarnungen genannt werden. Diese Risiken bestehen beispielsweise bei Missbrauch oder längerem Gebrauch.

Auch bei der Einhaltung der entsprechenden Sicherheitsvorschriften und der Verwendung aller Sicherheitsgeräte bestehen weiterhin bestimmte Restrisiken. Diese werden im Folgenden aufgeführt:

- ◆ **Verletzungen, die durch das Berühren von sich drehenden/bewegenden Teilen verursacht werden.**
- ◆ **Verletzungen, die durch das Austauschen von Teilen, Messern oder Zubehör verursacht werden.**
- ◆ **Verletzungen, die durch längeren Gebrauch eines Geräts verursacht werden. Legen Sie bei längerem Gebrauch regelmäßige Pausen ein.**
- ◆ **Beeinträchtigung des Gehörs.**

- ◆ **Gesundheitsrisiken durch das Einatmen von Staub bei Verwendung des Geräts (z. B. bei Holzarbeiten, insbesondere Eiche, Buche und Pressspan).**

Warnsymbole am Gerät

Am Gerät sind folgende Warnsymbole angebracht:



Achtung! Lesen Sie vor Gebrauch die Anleitung. Andernfalls besteht Verletzungsgefahr.

Elektrische Sicherheit



Dieses Gerät ist schutzisoliert, daher ist keine Erdleitung erforderlich. Überprüfen Sie stets, ob die Netzspannung der auf dem Typenschild des Geräts angegebenen Spannung entspricht.

- ◆ Wenn das Netzkabel beschädigt ist, muss es durch den Hersteller oder eine Black & Decker Vertragswerkstatt ausgetauscht werden, um eine mögliche Gefährdung zu vermeiden.

Verlängerungskabel

- ◆ Es kann ein zwei- oder dreidriges Kabel verwendet werden, da das Gerät schutzisoliert ist und es sich um ein Produkt der Klasse 2 handelt.
- ◆ Bis zu einer Kabellänge von 30 m treten keine Leistungsverluste auf.

Merkmale

Dieses Gerät verfügt über einige oder alle der folgenden Merkmale.

1. Ein-/Ausschalter
2. Düse

Montage

Achtung! Vergewissern Sie sich vor der Montage, dass das Gerät ausgeschaltet ist und der Netzstecker gezogen wurde.

Anbringen von Zubehöerteilen

Im Einzelhandel ist eine Auswahl an Zubehöerteilen erhältlich.

- **Spitzdüse:** Der Luftstrom wird auf einen kleinen Bereich gebündelt.
- **Schlitzdüse:** Der Luftstrom wird über einen breiteren Bereich verteilt.
- **Reflektordüse:** Zum Lötten von Rohren.
- **Glasschutzdüse:** Schützt Glas beim Entfernen von Farbe.
- **Schaber:** Zum Entfernen von Farbe und Lack.
- ◆ Setzen Sie das Verbindungsstück des Zubehöerteils auf die Düse (2) auf.

Verwendung

Ein- und Ausschalten

- ◆ Um das Gerät bei geringerem Luftdurchsatz und geringerer Hitze einzuschalten, stellen Sie den Ein-/Ausschalter auf Position I.
- ◆ Um das Gerät bei hohem Luftdurchsatz und hoher Hitze einzuschalten, stellen Sie den Ein-/Ausschalter auf Position II.
- ◆ Zum Ausschalten des Geräts stellen Sie den Ein-/Ausschalter auf die Position O.

Verwenden des Geräts

Das Gerät ist aus Sicherheitsgründen mit einem Thermostat ausgestattet. Wenn das Gerät dauerhaft über lange Zeiträume oder unter hoher Leistung verwendet wird, kann das Gerät überhitzen und sich abschalten. Es wird daher empfohlen, dass Sie das Gerät während der Verwendung regelmäßig abkühlen lassen.

- ◆ Das Gerät benötigt vor der Verwendung einige Sekunden, um die volle Hitze zu entwickeln.
- ◆ Bei der ersten Inbetriebnahme tritt an der Düse möglicherweise ein wenig Rauch aus. Dies ist normal und nicht von Dauer.
- ◆ Verwenden Sie zum Trocknen von Farbe oder Lack, zum Entfernen von Aufklebern, zum Einschrumpfen von Isolationsrohren und zum Auftauen gefrorener Rohre eine niedrige Temperatur.
- ◆ Verwenden Sie zum Entfernen von Farbe und Lack und zum Verlöten von Rohranschlussstücken eine hohe Temperatur.
- ◆ Wenn Sie nicht sicher sind, welche Temperatur für ein bestimmtes Material geeignet ist, testen Sie das Gerät an Materialresten, und beginnen Sie mit einer niedrigen Temperatur.

Freihandanwendung (Abb. A)

Das Gerät verfügt über Standflächen (3), die eine Freihandanwendung ermöglichen.

- ◆ Positionieren Sie das Gerät so auf einer Oberfläche, dass die Düse nach oben zeigt und es nicht umfallen kann.
- ◆ Sichern Sie das Kabel, sodass das Gerät nicht umgerissen werden kann.

Achtung! Richten Sie das Gerät niemals auf sich selbst oder andere Personen. Berühren Sie nicht die Düse. Achten Sie darauf, dass keine Substanzen in die Düse tropfen.

Entfernen von Farbe

- ◆ Richten Sie die Heißluft auf den Arbeitsbereich, um die Farbe zu erhitzen.
- ◆ Achten Sie darauf, dass die Farbe nicht Feuer fängt. Die Düse sollte mindestens 25 mm von der Oberfläche entfernt sein.

- ◆ Wenn die Farbe aufweicht, entfernen Sie sie mit einem Schaber. Wenn Sie die aufgeweichte Farbe nicht sofort entfernen, verhärtet diese wieder.
- ◆ Schaben Sie, wenn möglich, stets mit der Holzfläche.
- ◆ Achten Sie darauf, dass sich weder Farb- noch Materialreste auf dem Schaber ansammeln.
- ◆ Schaben Sie an senkrechten Flächen stets unterhalb des Geräts, damit keine Farbreste in die Düse gelangen.
- ◆ Wenn Sie Farbe von einer Fläche mit einer angrenzenden Glasfläche entfernen, müssen Sie das Glas vor der Hitze schützen.

Achtung! Verwenden Sie beim Entfernen von Farbe an Fensterrahmen aus Holz oder Metall eine Glasschutzdüse.

- ◆ Entsorgen Sie nach der Arbeit die Farbreste fachgerecht, und reinigen Sie den Arbeitsbereich gründlich.

Abkühlen

Bei Verwendung des Geräts wird die Düse sehr heiß. Lassen Sie das Gerät nach dem Ausschalten mindestens 30 Minuten lang abkühlen.

- ◆ Positionieren Sie das Gerät so auf einer Oberfläche, dass die Düse nach oben zeigt und es nicht umfallen kann.
- ◆ Sie können das Abkühlen beschleunigen, indem Sie vor Ausschalten des Geräts einige Minuten lang die niedrigste Temperatureinstellung einschalten.

Wartung

Ihr Black & Decker Gerät wurde im Hinblick auf eine lange Lebensdauer und einen möglichst geringen Wartungsaufwand entwickelt. Für dauerhaften einwandfreien Betrieb ist eine regelmäßige Pflege und Reinigung des Geräts erforderlich.

Achtung! Schalten Sie das Gerät aus, ziehen Sie den Netzstecker, und lassen Sie das Gerät abkühlen, bevor Sie mit der Wartung beginnen.

- ◆ Reinigen Sie regelmäßig die Lüftungsschlitze des Geräts mit Hilfe einer weichen Bürste oder eines trockenen Tuchs.
- ◆ Reinigen Sie das Gerät ausschließlich mit milder Seifenlösung und einem feuchten Tuch. Verwenden Sie keine scheuernden Reinigungsmittel oder Reinigungsmittel auf Lösungsmittelbasis. Achten Sie darauf, dass keine Flüssigkeit in das Gerät gelangt. Tauchen Sie keinen Teil des Geräts in Flüssigkeit ein.

Austauschen des Netzsteckers (nur Großbritannien und Irland)

Gehen Sie folgendermaßen vor, wenn ein neuer Netzstecker angeschlossen werden muss:

- ◆ Entsorgen Sie den alten Stecker auf sachgerechte Weise.
- ◆ Verbinden Sie die braune Leitung mit dem spannungsführenden Anschluss des Steckers.
- ◆ Verbinden Sie die blaue Leitung mit dem neutralen Anschluss.

Achtung! Der Erdleiter wird nicht angeschlossen. Befolgen Sie die Anleitungen, die dem Stecker beiliegen. Empfohlene Sicherung: 13 A.

Umweltschutz



Getrennte Entsorgung. Dieses Produkt darf keinesfalls mit dem Hausmüll entsorgt werden.

Sollten Sie Ihr Black & Decker Produkt eines Tages ersetzen oder nicht mehr benötigen, entsorgen Sie es nicht mit dem Hausmüll. Führen Sie das Produkt einer getrennten Sammlung zu.



Durch die getrennte Sammlung von ausgedienten Produkten und Verpackungsmaterialien können Rohstoffe recycelt und wiederverwendet werden. Die Wiederverwendung aufbereiteter Materialien trägt zur Vermeidung der Umweltverschmutzung bei und senkt den Rohstoffbedarf.

Die Verordnung zur Abfallentsorgung Ihrer Gemeinde sieht möglicherweise vor, dass Elektrogeräte getrennt vom Hausmüll gesammelt, an der örtlichen Abfallentsorgungseinrichtung abgegeben oder beim Kauf eines neuen Produkts vom Fachhandel zur Entsorgung angenommen werden müssen.

Black & Decker nimmt Ihre ausgedienten Black & Decker Geräte gern zurück und sorgt für eine umweltfreundliche Entsorgung bzw. Wiederverwertung. Um diese Dienstleistung in Anspruch zu nehmen, geben Sie das Gerät bitte bei einer autorisierten Reparaturwerkstatt ab, die für uns die Einsammlung übernimmt.

Bitte fragen Sie Ihre zuständige Black & Decker Niederlassung (Adresse in dieser Anleitung) nach einer Vertragswerkstatt in Ihrer Nähe. Eine Liste der Vertragswerkstätten und aller Kundendienststellen von Black & Decker sowie der zuständigen Ansprechpartner finden Sie auch im Internet unter: www.2helpU.com

Technische Daten

		KX1650 (Typ 1)
Eingangsspannung	V_{AC}	230
Konstruktion		Klasse II
Leistungsaufnahme	W	1750
Temperaturbereich	$^{\circ}C$	460 - 600
Gewicht	kg	0,6

Garantie

Black & Decker vertraut auf die Qualität der eigenen Geräte und bietet dem Käufer eine außergewöhnliche Garantie. Diese Garantiezusage versteht sich unbeschadet der gesetzlichen Gewährleistungsansprüche und schränkt diese keinesfalls ein. Sie gilt in sämtlichen Mitgliedstaaten der Europäischen Union und der Europäischen Freihandelszone EFTA.

Tritt innerhalb von 24 Monaten ab Kaufdatum an einem Gerät von Black & Decker ein auf Material- oder Verarbeitungsfehler zurückzuführender Mangel auf, garantiert Black & Decker den Austausch defekter Teile, die Reparatur von Geräten mit üblichem Verschleiß bzw. den Austausch eines mangelhaften Gerätes, ohne den Kunden dabei mehr als unbedingt nötig in Anspruch zu nehmen, allerdings vorbehaltlich folgender Ausnahmen:

- ◆ wenn das Gerät gewerblich, beruflich oder im Verleihschäft benutzt wurde;
- ◆ wenn das Gerät missbräuchlich verwendet oder mit mangelnder Sorgfalt behandelt wurde;
- ◆ wenn das Gerät durch irgendwelche Fremdeinwirkung beschädigt wurde;
- ◆ wenn ein unbefugter Reparaturversuch durch anderes Personal als das einer Vertragswerkstatt oder des Black & Decker Kundendienstes unternommen wurde.

Zur Inanspruchnahme dieser Garantie ist dem Verkäufer bzw. der Vertragswerkstatt ein Kaufnachweis vorzulegen. Die Adresse der zuständigen Niederlassung von Black & Decker steht in dieser Anleitung. Dort teilt man Ihnen gerne die nächstgelegene Vertragswerkstatt mit. Eine Liste der Vertragswerkstätten und aller Kundendienststellen von Black & Decker sowie der zuständigen Ansprechpartner finden Sie auch im Internet unter: www.2helpU.com

Bitte besuchen Sie unsere Website www.blackanddecker.de, um Ihr neues Black & Decker Produkt zu registrieren. Dort erhalten Sie auch Informationen über neue Produkte und Sonderangebote. Weitere Informationen über die Marke Black & Decker und unsere Produkte finden Sie unter www.blackanddecker.de.

Utilisation

Votre pistolet à air chaud Black & Decker est destiné aux travaux nécessitant un apport de chaleur, comme le décapage de peinture. Il est destiné à une utilisation exclusivement domestique et à l'intérieur uniquement.

Consignes de sécurité

Consignes de sécurité concernant les outils électroportatifs



Attention ! Lisez avec attention tous les avertissements et toutes les instructions. Le non-respect de cette consigne peut entraîner une électrocution, un incendie et/ou de graves blessures.

Conservez tous les avertissements et instructions pour référence ultérieure. La notion d'« outil électroportatif » mentionnée par la suite se rapporte à des outils électriques raccordés au secteur (avec câble de raccordement) ou fonctionnant avec piles (sans fil).

1. **Sécurité de la zone de travail**
 - a. **Maintenez la zone de travail propre et bien éclairée.** Un lieu de travail en désordre ou mal éclairé augmente le risque d'accidents.
 - b. **N'utilisez pas les outils électroportatifs dans un environnement présentant des risques d'explosion ni en présence de liquides, gaz ou poussières inflammables.** Les outils électroportatifs génèrent des étincelles risquant d'enflammer les poussières ou les vapeurs.
 - c. **Pendant l'utilisation d'un outil électroportatif, les enfants et autres personnes doivent rester éloignés.** En cas d'inattention, vous risquez de perdre le contrôle de l'outil.
2. **Sécurité électrique**
 - a. **La prise de l'outil électroportatif doit être compatible avec la prise d'alimentation. Ne modifiez en aucun cas la prise.** N'utilisez pas de prises d'adaptateur avec des appareils ayant une prise de terre. Le respect de ces consignes réduit le risque de choc électrique.
 - b. **Évitez le contact physique avec des surfaces mises à la terre telles que tuyaux, radiateurs, fours et réfrigérateurs.** Le risque de choc électrique augmente si votre corps est relié à la terre.
 - c. **N'exposez pas l'outil électroportatif à la pluie ou à l'humidité.** La pénétration d'eau dans un outil électroportatif augmente le risque de choc électrique.
 - d. **Préservez le câble d'alimentation. N'utilisez pas le câble pour porter l'outil, pour l'accrocher. Ne le tirez pas pour le débrancher.** Maintenez le câble éloigné des sources de chaleurs, des parties huilées, des bords tranchants ou des pièces en rotation. Le risque de choc électrique augmente si les câbles sont endommagés ou emmêlés.
 - e. **Si vous utilisez l'outil électroportatif à l'extérieur, utilisez une rallonge homologuée pour une utilisation à l'extérieur.** L'utilisation d'une rallonge électrique homologuée pour les travaux à l'extérieur réduit le risque de choc électrique.
 - f. **Si l'outil doit être utilisé dans un endroit humide, prenez les précautions nécessaires en utilisant un dispositif à courant résiduel (RCD).** L'utilisation d'un tel dispositif réduit les risques d'électrocution.
3. **Sécurité personnelle**
 - a. **Restez vigilant, surveillez ce que vous faites. Faites preuve de bon sens quand vous utilisez un outil électroportatif. N'utilisez pas l'outil lorsque vous êtes fatigué ou après avoir consommé de l'alcool ainsi que des médicaments.** Un moment d'inattention en utilisant l'outil peut entraîner de graves blessures.
 - b. **Portez un équipement de protection. Portez toujours des lunettes de protection.** Selon le travail à effectuer, le port d'équipement de protection tels que masque anti-poussières, chaussures de sécurité antidérapantes, casque ou protection auditive, réduit le risque de blessures.
 - c. **Évitez un démarrage imprévu. L'appareil doit être en position OFF (arrêt) avant d'effectuer le branchement à l'alimentation et/ou au bloc-batterie, de le ramasser ou de le porter.** Ne laissez pas votre doigt sur le bouton de commande en le transportant. N'alimentez pas l'outil si le bouton est activé. Ceci pourrait être à l'origine d'accident.
 - d. **Retirez les outils ou clés de réglage avant de mettre l'outil en marche.** Une clé ou un outil se trouvant sur une partie en rotation peut causer des blessures.
 - e. **Adoptez une position confortable. Adoptez une position stable et gardez votre équilibre en permanence.** Vous contrôlerez ainsi mieux l'outil dans des situations inattendues.
 - f. **Portez des vêtements appropriés. Ne portez pas de vêtements amples ou de bijoux. N'approchez pas les cheveux, vêtements ou gants des parties des pièces mobiles.** Les vêtements amples, les bijoux ou les cheveux longs peuvent s'accrocher dans les pièces en mouvement.

- g. **En cas d'utilisation d'appareils servant à aspirer ou à recueillir les poussières, assurez-vous qu'ils sont correctement raccordés et utilisés.** L'utilisation de tels dispositifs réduit les dangers dus aux poussières.
4. **Utilisation des outils électroportatifs et précautions**
- a. **Respectez la capacité de l'outil. Utilisez l'outil électroportatif approprié pour le travail à effectuer.** Avec un outil approprié, vous travaillerez mieux et en toute sécurité.
- b. **N'utilisez pas un outil électroportatif dont le bouton marche/arrêt est défectueux.** Un outil électroportatif qui ne répond pas à la commande marche/arrêt est dangereux et doit être réparé.
- c. **Retirez la prise de courant et/ou débranchez le bloc-batterie avant d'effectuer des réglages, de changer les accessoires ou de ranger l'outil.** Cette mesure de précaution empêche de mettre l'outil en marche accidentellement.
- d. **Rangez les outils électroportatifs hors de portée des enfants. Les personnes ne connaissant pas l'outil ou n'ayant pas lu ces instructions ne doivent en aucun cas l'utiliser.** Les outils électroportatifs sont dangereux lorsqu'ils sont utilisés par des personnes non initiées.
- e. **Entretenez les outils électroportatifs. Vérifiez que les parties en mouvement fonctionnent correctement et qu'elles ne sont pas coincées. Vérifiez qu'il n'y a pas de pièces cassées ou endommagées susceptibles de nuire au bon fonctionnement de l'outil. S'il est endommagé, faites réparer l'outil avant de l'utiliser.** De nombreux accidents sont la conséquence d'outils mal entretenus.
- f. **Les outils de coupe doivent toujours être aiguisés et propres.** Des outils soigneusement entretenus avec des bords tranchants bien aiguisés se coincent moins souvent et peuvent être guidés plus facilement.
- g. **Utilisez les outils électroportatifs, les accessoires, etc., en suivant ces instructions et en tenant compte des conditions de travail, ainsi que du travail à effectuer.** L'utilisation des outils électroportatifs à d'autres fins que celles prévues peut vous mettre en situation dangereuse.
5. **Réparations**
- a. **Faites réparer votre outil électroportatif uniquement par du personnel qualifié et seulement avec des pièces de rechange appropriées.** Cela garantira le maintien de la sécurité de votre outil.

Consignes de sécurité supplémentaires concernant les outils électroportatifs



Attention ! Consignes de sécurité supplémentaires pour l'utilisation des pistolets à air chaud.

Attention : N'utilisez jamais l'appareil à l'extérieur.

Attention : Cet appareil doit être placé sur le support quand il n'est pas utilisé.

Attention : Un feu peut se produire si l'appareil n'est pas utilisé avec précaution. Il faut donc vérifier s'il y a des matériaux combustibles dans la zone de travail.

- ◆ Ne chauffez pas le même endroit sur une longue période.
- ◆ N'utilisez pas l'appareil dans un environnement où il y a un risque d'explosion.
- ◆ N'oubliez pas que la chaleur peut atteindre les matériaux combustibles non visibles.
- ◆ Placez l'appareil sur son support après l'utilisation et laissez-le refroidir avant de le ranger.
- ◆ Ne laissez pas l'appareil sans surveillance quand il est en marche.
- ◆ Ne touchez pas les fentes d'aération ou l'embout. L'appareil risque d'être endommagé par l'accumulation de chaleur excessive.
- ◆ N'orientez jamais l'air chaud vers des animaux ou des personnes.
- ◆ Ne touchez en aucun cas l'embout, il peut être très chaud et le rester pendant plus de 30 minutes après l'utilisation.
- ◆ **Ne placez pas l'embout contre un objet pendant l'utilisation ou immédiatement après.**
- ◆ N'introduisez aucun élément dans l'embout, il y a un risque de choc électrique.
- ◆ Ne regardez pas dans l'embout quand il est en marche.
- ◆ N'utilisez pas l'appareil comme un sèche-cheveux ! La température qu'il dégage est nettement supérieure.
- ◆ Aérez correctement pendant l'utilisation. Des gaz toxiques peuvent s'évaporer.
- ◆ Ne l'exposez pas à l'humidité.
- ◆ Pour décaper la peinture, travaillez dans un endroit clos. Portez un masque contre la poussière spécialement conçu pour vous protéger de la peinture au plomb, des sciures et des fumées toxiques et veillez à ce que les personnes se trouvant à l'intérieur de la zone de travail ou y pénétrant soient également protégées.
- ◆ Ne brûlez pas la peinture, elle pourrait prendre feu.
- ◆ Ne laissez pas la peinture adhérer à l'embout, elle pourrait s'enflammer au bout d'un certain temps.
- ◆ Avant de rajouter un accessoire, éteignez l'appareil et laissez-le refroidir.

Décapage de peinture au plomb

- ◆ Toutes les précautions doivent être prises pour décapier la peinture. Les écailles, les restes et les vapeurs de peinture peuvent contenir du plomb, ce qui est toxique. Tous les bâtiments construits avant 1960 peuvent avoir été peints avec de la peinture contenant du plomb. Cette peinture peut être recouverte de couche supplémentaires. Si vous posez vos mains sur les surfaces peintes, ne les portez pas à la bouche. Il y a risque de contamination par ingestion.
- ◆ Les expositions au plomb, même à faible niveau, peuvent causer des troubles neurologiques. Le danger est plus grand auprès des enfants et des femmes enceintes.
- ◆ Avant de commencer à décapier, il est important de déterminer si la peinture contient du plomb. Utilisez un kit d'essai ou demandez à un décorateur professionnel de vérifier. **Ne fumez pas, ne mangez pas ou ne buvez pas dans des lieux contaminés par le plomb.** Seuls des professionnels sont habilités à décapier la peinture à base de plomb. Le pistolet à air chaud ne peut être utilisé pour ce travail.

Sécurité des personnes

- ◆ Cet appareil ne doit pas être utilisé par des personnes (y compris les enfants) ayant des déficiences physiques, mentales ou sensorielles. Cette consigne s'applique aussi aux personnes manquant d'expérience et de connaissance du matériel, à moins que celles-ci n'aient reçu les instructions appropriées ou qu'elles ne soient encadrées par une personne responsable de leur sécurité pour utiliser l'appareil.
- ◆ Ne laissez jamais les enfants sans surveillance pour éviter qu'ils ne jouent avec cet outil.

Risques résiduels.

L'utilisation d'un outil non mentionné dans les consignes de sécurité données peut entraîner des risques résiduels supplémentaires. Ces risques peuvent survenir si l'outil est mal utilisé, si l'utilisation est prolongée, etc.

Malgré l'application des normes de sécurité correspondantes et la présence de dispositifs de sécurité, les risques résiduels suivants ne peuvent être évités. Ceci comprend :

- ◆ **Les blessures dues au contact avec une pièce mobile/ en rotation.**
- ◆ **Les blessures causées en changeant des pièces, lames ou accessoires.**
- ◆ **Les blessures dues à l'utilisation prolongée d'un outil.** Une utilisation prolongée de l'outil nécessite des **pauses régulières.**
- ◆ **Déficience auditive.**

- ◆ **Risques pour la santé causés par l'inhalation de poussières produites pendant l'utilisation de l'outil** (exemple : travail avec du bois, surtout le chêne, le hêtre et les panneaux en MDF).

Étiquettes de l'outil

Les pictogrammes ci-dessous se trouvent sur l'outil :



Attention ! Pour réduire le risque de blessures, l'utilisateur doit lire le manuel d'instructions.

Sécurité électrique



Cet outil est doublement isolé. Par conséquent, aucun câble de mise à la terre n'est nécessaire. Vérifiez si l'alimentation mentionnée sur la plaque signalétique de l'appareil correspond bien à la tension présente sur le lieu.

- ◆ Si le câble d'alimentation est endommagé, il doit être remplacé par le fabricant ou par un Centre de réparation Black & Decker agréé pour éviter tout danger.

Rallonges

- ◆ Un câble bifilaire ou trifilaire doit être utilisé, l'appareil étant doublement isolé et de classe II.
- ◆ Une longueur de 30 m peut être utilisée sans perte de puissance.

Caractéristiques

Cet appareil comprend certains, ou tous, les éléments suivants :

1. Bouton marche/arrêt
2. Embout

Assemblage

Attention ! Avant l'assemblage, assurez-vous que l'outil est éteint et débranché.

Mise en place d'un accessoire

Votre représentant local peut vous proposer une gamme d'accessoires.

- **Embout conique :** Concentre le débit d'air dans une petite zone.
- **Embout en queue de poisson :** Répartit le débit d'air sur une plus large zone.
- **Embout réflecteur :** Pour souder les tuyaux.
- **Embout de protection pour le verre :** Pour protéger le verre pendant le décapage de la peinture.
- **Grattoir** Pour éliminer et décapier la peinture et le vernis.
- ◆ Posez le raccord de l'accessoire sur l'embout (2).

Utilisation

Mise en marche et arrêt

- ◆ Pour obtenir une vitesse de l'air et une chaleur limitées, réglez le bouton marche/arrêt sur I.
- ◆ Pour obtenir une vitesse de l'air et une chaleur élevées, réglez le bouton marche/arrêt sur II.
- ◆ Pour arrêter l'outil, mettez le bouton marche/arrêt en position O.

Utilisation de l'outil

Pour votre sécurité, cet outil est équipé d'un thermostat. L'utilisation de l'outil en continu sur de longues périodes ou pour des travaux importants peut entraîner la surchauffe de l'outil et interrompre le fonctionnement. Il est donc recommandé de laisser l'outil refroidir à intervalles réguliers pendant l'utilisation.

- ◆ Laissez l'outil chauffer pendant quelques secondes avant l'utilisation.
- ◆ À la première utilisation, il peut y avoir de la fumée. Ceci est un phénomène normal qui disparaît avec le temps.
- ◆ Utilisez ce réglage pour sécher la peinture et le vernis, retirer les autocollants, rétrécir les tuyaux d'isolation et chauffer les tuyaux gelés.
- ◆ Utilisez ce réglage pour retirer la peinture et la laque, et pour souder les raccords de plombage.
- ◆ Si vous avez des doutes pour un matériau particulier, commencez par le réglage faible et effectuez un essai sur un échantillon.

Utilisation mains-libres (figure A)

L'outil a des points de support (3), ce qui permet de garder les mains libres.

- ◆ Placez l'outil avec l'embout vers le haut sur une surface stable pour qu'il ne tombe pas.
- ◆ Placez le câble de façon à ce que l'appareil ne tombe pas du support.

Attention ! N'orientez jamais l'outil vers vous ou vers les autres. Ne touchez pas l'embout. Faites attention de ne laisser aucun matériau entrer dans l'embout.

Décapage de peinture (figure)

- ◆ Dirigez l'air chaud sur la zone de travail pour chauffer la peinture.
- ◆ Ne brûlez pas la peinture. Gardez l'embout à au moins 25 mm de la surface.
- ◆ Quand la peinture se ramollit, retirez-la avec un grattoir. Grattez immédiatement la peinture ramollie car elle durcit rapidement.
- ◆ Grattez dans le sens du bois quand cela est possible.
- ◆ Ne laissez pas la peinture ou les débris s'accumuler sur le grattoir.

- ◆ Pour le décapage vertical, grattez vers le bas pour que la peinture ne tombe pas dans l'embout.
- ◆ Pour le décapage près d'une surface en verre, prenez les mesures nécessaires pour protéger le verre de la chaleur.

Attention ! Utilisez un embout protecteur pour le verre pour le décapage des fenêtres dont l'encadrement est en verre ou en métal.

- ◆ Mettez au rebut tous les débris et assurez-vous que la zone de travail est complètement propre après l'utilisation.

Refroidissement

Pendant l'utilisation, l'embout devient extrêmement chaud. Laissez l'appareil refroidir pendant au moins 30 minutes après l'avoir éteint.

- ◆ Placez l'outil avec l'embout vers le haut sur une surface stable pour qu'il ne tombe pas.
- ◆ Pour accélérer le refroidissement, faites fonctionner l'outil sur le réglage minimum pendant quelques minutes avant de l'arrêter.

Entretien

Votre appareil Black & Decker a été conçu pour fonctionner pendant longtemps avec un minimum d'entretien. Un fonctionnement satisfaisant dépend d'un nettoyage régulier et d'un entretien approprié.

Attention ! Préalablement à toute opération d'entretien, éteignez et débranchez l'appareil et laissez-le refroidir.

- ◆ Nettoyez régulièrement les orifices de ventilation de votre appareil à l'aide d'une brosse souple ou d'un chiffon sec.
- ◆ Pour nettoyer l'outil, utilisez exclusivement du savon doux et un chiffon humide. N'utilisez pas de produit abrasif ou à base de solvant. Évitez toute pénétration de liquide dans l'appareil et ne plongez aucune pièce dans du liquide.

Remplacement des prises secteur (RU et Irlande uniquement)

Si une nouvelle prise secteur doit être installée :

- ◆ Mettez au rebut la vieille prise.
- ◆ Branchez le fil brun dans la borne de la nouvelle prise.
- ◆ Branchez le fil bleu à la borne neutre.

Attention ! Aucune connexion ne doit être faite à la borne de terre. Suivez les instructions de montage fournies avec les prises de bonne qualité. Fusibles recommandés : 13 A.

Protection de l'environnement



Recyclage. Cet outil ne doit pas être jeté avec les déchets ménagers.

Si votre appareil/outil Black & Decker doit être remplacé ou si vous ne l'utilisez plus, ne le jetez pas avec les ordures ménagères. Songez à la protection de l'environnement et recyclez-le.



La collecte séparée des produits et des emballages usagés permet de recycler et de réutiliser des matériaux. La réutilisation de matériaux recyclés évite la pollution de l'environnement et réduit la demande de matières premières.

Des réglementations locales peuvent stipuler la collecte séparée des produits électriques et des produits ménagers, dans des déchetteries municipales ou par le revendeur lorsque vous achetez un nouveau produit.

Black & Decker offre une solution permettant de recycler les produits Black & Decker lorsqu'ils ont atteint la fin de leur cycle de vie. Pour pouvoir profiter de ce service, veuillez retourner votre produit à un réparateur agréé qui se chargera de le collecter pour nous.

Pour connaître l'adresse du réparateur agréé le plus proche de chez vous, contactez le bureau Black & Decker à l'adresse indiquée dans ce manuel. Vous pourrez aussi trouver une liste de réparateurs agréés de Black & Decker et de plus amples détails sur notre service après-vente sur le site Internet à l'adresse suivante : www.2helpU.com

Caractéristiques techniques

		KX1650 (Type 1)
Tension d'entrée	V_{ca}	230
Construction		Classe II
Puissance	W	1750
Plage de température	$^{\circ}C$	460 - 600
Poids	kg	0,6

Garantie

Black & Decker assure la qualité de ses produits et vous offre une **garantie très élargie**. Ce certificat de garantie est un document supplémentaire et ne peut en aucun cas se substituer à vos droits légaux. La garantie est valable sur tout le territoire des États Membres de l'Union Européenne et de la Zone de Libre Échange Européenne.

Si un produit Black & Decker s'avère défectueux en raison de matériaux en mauvaises conditions, d'une erreur humaine, ou d'un manque de conformité dans les 24 mois suivant la date d'achat, Black & Decker garantit le remplacement des pièces défectueuses, la réparation des produits usés ou cassés ou remplace ces produits à la convenance du client, sauf dans les circonstances suivantes :

- ◆ Le produit a été utilisé dans un but commercial, professionnel, ou a été loué;
- ◆ Le produit a été mal utilisé ou utilisé avec négligence;
- ◆ Le produit a subi des dommages à cause d'objets étrangers, de substances ou à cause d'accidents;
- ◆ Des réparations ont été tentées par des techniciens ne faisant pas partie du service technique de Black & Decker.

Pour avoir recours à la garantie, il est nécessaire de fournir une preuve d'achat au vendeur ou à un réparateur agréé.

Pour connaître l'adresse du réparateur agréé le plus proche de chez vous, contactez le bureau Black & Decker à l'adresse indiquée dans ce manuel. Vous pourrez aussi trouver une liste de réparateurs agréés de Black & Decker et de plus amples détails sur notre service après-vente sur le site Internet à l'adresse suivante : www.2helpU.com

Visitez notre site Web www.blackanddecker.fr pour enregistrer votre nouveau produit Black & Decker et être informé des nouveaux produits et des offres spéciales. Pour plus d'informations concernant la marque Black & Decker et notre gamme de produits, consultez notre site www.blackanddecker.fr

Uso previsto

La pistola termica Black & Decker è stata ideata per varie applicazioni che richiedono la trasmissione di calore, come ad esempio la sverniciatura. Questo prodotto è stato progettato solo per uso privato e all'interno.

Istruzioni di sicurezza

Avvisi di sicurezza generici per gli elettrodomestici



Attenzione! Leggere tutti gli avvisi di sicurezza e tutte le istruzioni. La mancata osservazione dei presenti avvisi e istruzioni potrebbe causare scosse elettriche, incendi e/o infortuni gravi.

Conservare tutte le istruzioni e le avvertenze per futura consultazione. Il termine "elettrodomestico" che ricorre in tutti gli avvisi seguenti si riferisce ad utensili elettrici con o senza filo.

1. Sicurezza nella zona di lavoro

- Mantenere pulita e bene illuminata l'area di lavoro. Il disordine o la scarsa illuminazione possono causare incidenti.
- Evitare d'impiegare gli elettrodomestici in ambienti esposti al rischio di esplosione, ad esempio in presenza di liquidi, gas o polveri infiammabili. Gli elettrodomestici producono scintille che possono far infiammare la polvere o i fumi.
- Mantenere lontani bambini e osservatori mentre si usa l'elettrodomestico. Eventuali distrazioni possono comportare la perdita del controllo dell'elettrodomestico.

2. Sicurezza elettrica

- Le spine elettriche degli elettrodomestici devono essere adatte alla presa. Evitare assolutamente di modificare la spina elettrica. Non impiegare spine adattatrici con elettrodomestici provvisti di messa a terra. L'uso di spine inalterate e delle prese corrispondenti riduce il rischio di scosse elettriche.
- Evitare il contatto fisico con superfici collegate a terra, come tubi, radiatori, forni e frigoriferi. Un corpo collegato a terra è esposto maggiormente al rischio di scosse elettriche.
- Custodire gli elettrodomestici al riparo dalla pioggia o dall'umidità. L'eventuale infiltrazione di acqua in un elettrodomestico va ad aumentare il rischio di scosse elettriche.

- Non utilizzare il cavo in modo improprio. Non usare il cavo per trasportare o trainare l'elettrodomestico e non tirarlo per estrarre la spina dalla presa di corrente. Mantenere il cavo al riparo da calore, olio, bordi taglienti e/o da parti in movimento. I cavi danneggiati o aggrovigliati aumentano il rischio di scosse elettriche.
 - Se l'elettrodomestico viene adoperato all'aperto, usare esclusivamente prolunghette omologate per l'impiego all'esterno. Un cavo adatto per uso esterno riduce il rischio di scosse elettriche.
 - Se non è possibile evitare di lavorare in una zona umida, usare un'alimentazione elettrica protetta da un dispositivo a corrente residua (RCD). L'uso di un dispositivo RCD riduce il rischio di scosse elettriche.
- #### 3. Sicurezza delle persone
- È importante concentrarsi su ciò che si sta facendo e maneggiare con giudizio l'elettrodomestico. Non adoperare l'elettrodomestico se si è stanchi o sotto l'effetto di stupefacenti, alcol o medicinali. Un attimo di distrazione durante l'uso dell'elettrodomestico può causare gravi infortuni personali.
 - Utilizzare un equipaggiamento di protezione personale. Indossare sempre occhiali di sicurezza. Se si avrà cura d'indossare l'equipaggiamento protettivo necessario, ad esempio una maschera antipolvere, delle calzature antiscivolo, un casco o delle otoprotezioni, si ridurrà il rischio di infortuni.
 - Impedire l'avviamento involontario. Accertarsi che l'interruttore di accensione sia spento prima di collegare l'elettrodomestico all'alimentazione elettrica e/o al battery pack, di prenderlo in mano o di trasportarlo. Per non esporsi al rischio di incidenti, non trasportare gli elettrodomestici tenendo le dita sull'interruttore oppure, se sono collegati a un'alimentazione elettrica, con l'interruttore acceso.
 - Prima di accendere un elettrodomestico, togliere eventuali chiavi o attrezzi di regolazione. Un attrezzo o una chiave lasciati in un componente mobile dell'elettrodomestico possono causare infortuni.
 - Non piegarsi eccessivamente in avanti. Mantenere sempre un buon equilibrio evitando posizioni instabili. In questo modo è possibile controllare meglio l'elettrodomestico in situazioni inaspettate.
 - Vestirsi adeguatamente. Evitare di indossare indumenti larghi o gioielli. Tenere capelli, capi di vestiario e guanti lontani da parti in movimento. Indumenti larghi, gioielli o capelli lunghi possono impigliarsi nelle parti in movimento.

g. Se gli elettrotensili sono provvisti di attacchi per il collegamento di dispositivi di aspirazione o di raccolta della polvere, assicurarsi che questi siano installati e utilizzati correttamente. L'impiego di dispositivi di raccolta della polvere diminuisce i rischi relativi alle polveri.

4. Uso e cura degli elettrotensili

a. **Non sovraccaricare l'elettrotensile. Usare l'elettrotensile adatto al lavoro da eseguire.**

Utilizzando l'elettrotensile adatto si potrà lavorare meglio e con maggiore sicurezza alla potenza nominale prevista.

b. **Non utilizzare elettrotensili con interruttori difettosi.**

Un elettrotensile che non può essere controllato mediante l'interruttore è pericoloso e deve essere riparato.

c. **Scollegare la spina dalla presa di corrente e/o il battery pack dall'elettrotensile prima di regolarlo, di sostituire gli accessori o di riporlo.** Queste precauzioni di sicurezza riducono la possibilità che l'elettrotensile sia messo in funzione inavvertitamente.

d. **Quando non sono usati, gli elettrotensili devono essere custoditi fuori della portata dei bambini. Non consentire l'uso dell'elettrotensile a persone inesperte o che non abbiano letto le presenti istruzioni.** Gli elettrotensili risultano pericolosi se usati da persone inesperte.

e. **Sottoporre gli elettrotensili alle necessarie procedure di manutenzione. Verificare che le parti mobili siano bene allineate e non inceppate, che non vi siano componenti rotti e che non sussistano altre condizioni che possono compromettere il funzionamento dell'elettrotensile. In caso di danni, riparare l'elettrotensile prima dell'uso.** La scarsa manutenzione causa molti incidenti.

f. **Mantenere affilati e puliti gli utensili da taglio.** Se sottoposti alla giusta manutenzione, gli utensili da taglio con taglienti affilati s'inceppano meno frequentemente e sono più facili da manovrare.

g. **Utilizzare l'elettrotensile, gli accessori e le punte in conformità alle presenti istruzioni, tenendo conto delle condizioni di lavoro e del lavoro da eseguire.** L'impiego dell'elettrotensile per usi diversi da quelli consentiti può dar luogo a situazioni pericolose.

5. Riparazioni

a. **Fare riparare l'elettrotensile solo ed esclusivamente da personale specializzato e solo impiegando pezzi di ricambio originali, onde non alterarne la sicurezza.**

Avvertenza: Non usare all'aperto, usare esclusivamente all'interno.

Avvertenza: Quando non è utilizzato, l'elettrotensile deve essere appoggiato sul proprio supporto.

Avvertenza: Se l'elettrotensile non è usato con la dovuta attenzione, potrebbe provocare un incendio. Prestare quindi sempre la massima attenzione quando lo si usa in luoghi dove vi sono materiali combustibili.

- ◆ Non riscaldare la medesima posizione per un lungo periodo di tempo.
- ◆ Non usare in ambienti esposti al rischio di esplosione.
- ◆ Tenere presente che il calore potrebbe raggiungere materiali combustibili che non sono in vista.
- ◆ Appoggiare l'elettrotensile sul proprio supporto dopo l'impiego e lasciare che si raffreddi prima di riporlo.
- ◆ Non lasciare incustodito l'elettrotensile quando è acceso.
- ◆ Non ostruire le fessure delle prese d'aria o l'uscita dell'ugello per non causare un accumulo eccessivo di calore che potrebbe danneggiare l'elettrotensile.
- ◆ Non puntare il flusso di aria calda contro altre persone o animali.
- ◆ Non toccare l'ugello dato che diventa molto caldo durante l'impiego e rimane caldo anche per 30 minuti dopo l'uso.
- ◆ Non appoggiare l'ugello contro altri oggetti durante o immediatamente dopo l'uso.
- ◆ Non infilare nulla nell'ugello in quanto si potrebbe subire una scossa elettrica.
- ◆ Non guardare direttamente dentro all'ugello quando l'elettrotensile è acceso.
- ◆ Non usare l'elettrotensile come se fosse un asciugacapelli! La temperatura dell'aria è molto più elevata di quella di un asciugacapelli.
- ◆ Accertarsi che vi sia una ventilazione adeguata durante l'impiego dato che si può verificare l'esalazione di fumi tossici.
- ◆ Non usare l'elettrotensile in ambienti umidi.
- ◆ Quando si esegue la sverniciatura, accertarsi che la zona di lavoro sia racchiusa. Indossare una mascherina antipolvere specifica per fumi e polveri e di vernice a base di piombo e controllare anche che le persone presenti o in arrivo nell'area di lavoro siano adeguatamente protette.
- ◆ Non bruciare la vernice, dato che potrebbe causare un incendio.
- ◆ Non lasciare che la vernice aderisca all'ugello dato che potrebbe incendiarsi dopo un po' di tempo.
- ◆ Spegnerne l'elettrotensile e lasciare che si raffreddi prima di montare gli accessori.

Altri avvisi di sicurezza per gli elettrotensili



Avvertenza! Ulteriori precauzioni di sicurezza per le pistole termiche.

Sverniciatura di vernici a base di piombo

- ◆ Prestare la massima attenzione quando si esegue la sverniciatura. I trucioli, i residui e i vapori di vernice possono contenere piombo che è velenoso. Qualsiasi edificio costruito prima del 1960 potrebbe essere stato verniciato con vernice contenente piombo. E la vernice originale potrebbe essere stata coperta da strati aggiuntivi di vernice. Se è presente sulle superfici, il contatto mani bocca può risultare nell'ingestione di piombo.
- ◆ L'esposizione a livelli anche bassi di piombo può causare danni irreparabili al cervello e al sistema nervoso. Bambini e donne incinte sono maggiormente a rischio di avvelenamento da piombo.
- ◆ Prima di iniziare il lavoro, è importante determinare se la vernice da sverniciare contiene piombo. Per farlo, usare un kit di prova o rivolgersi a un decoratore professionista. Non fumare, mangiare o bere in una zona di lavoro che può o potrebbe essere contaminata dal piombo. Le vernici a base di piombo devono essere asportate solo da un professionista e non devono essere sverniciate con pistola termica.

Sicurezza altrui

- ◆ Questo elettroutensile non è stato progettato per impiego da parte di persone (o bambini) portatrici di handicap fisici, psichici o sensoriali o che non abbiano la dovuta esperienza o conoscenza, a meno che non siano seguite o opportunamente istruite sul suo impiego da parte di una persona responsabile della loro sicurezza.
- ◆ Controllare che i bambini non giochino con l'elettroutensile.

Rischi residui.

Quando si usa l'elettroutensile, possono esservi altri rischi residui che possono non essere stati contemplati negli avvisi di sicurezza allegati. Tali rischi possono sorgere a seguito di un uso prolungato o improprio, ecc.

Perfino adottando gli appositi regolamenti di sicurezza e utilizzando i dispositivi di sicurezza, certi rischi residui non possono essere evitati. Essi comprendono:

- ◆ **Lesioni causate o subite a seguito del contatto con parti rotanti/in movimento.**
- ◆ **Lesioni causate o subite durante la sostituzione di parti, lame o accessori.**
- ◆ **Lesioni causate dall'impiego prolungato di un elettroutensile. Quando si usa qualsiasi elettroutensile per lunghi periodi, accertarsi di fare regolarmente delle pause.**
- ◆ **Problemi di udito.**
- ◆ **Rischi per la salute causati dall'aspirazione di polvere generata dall'utilizzo dell'elettroutensile (ad esempio quando si lavora con il legno, in modo particolare quello di quercia, faggio o l'MDF.)**

Etichette sull'elettroutensile

Sull'elettroutensile appaiono i seguenti pittogrammi:



Avvertenza! Per ridurre il rischio di infortuni, l'utente deve leggere il manuale d'uso.

Sicurezza elettrica



Il doppio isolamento di cui è provvisto l'elettroutensile rende superfluo il filo di terra. Controllare sempre che l'alimentazione corrisponda alla tensione indicata sulla targhetta delle caratteristiche.

- ◆ In caso di danneggiamento del filo di alimentazione, è necessario farlo riparare dal fabbricante o presso un centro assistenza Black & Decker autorizzato in modo da evitare eventuali pericoli.

Cavi di prolunga

- ◆ Usare un cavo a 2 o a 3 conduttori dato che l'elettroutensile ha un doppio isolamento ed è di classe II.
- ◆ È possibile usare un cavo lungo 30 m senza che si verifichi una perdita di potenza.

Caratteristiche

Questo elettroutensile presenta alcune o tutte le seguenti caratteristiche.

1. Interruttore di accensione
2. Ugello

Montaggio

Avvertenza! Prima di montare l'elettroutensile, assicurarsi che sia spento e scollegato dalla presa di corrente.

Montaggio di un accessorio

È possibile acquistare una gamma di accessori appositi presso il rivenditore di zona.

- **Ugello riduttore:** Consente di concentrare il getto d'aria su un'area più piccola.
- **A fessura larga:** Diffonde il getto d'aria su un'area più grande
- **Ugello riflettore:** Per la saldatura di tubazioni.
- **A fessura larga con riflettore:** Per la protezione del vetro durante la sverniciatura.
- **Raschietto:** Per la rimozione e la sverniciatura di vernici e lacche.
- ◆ Montare il pezzo di collegamento dell'accessorio sopra l'ugello (2).

Utilizzo

Accensione e spegnimento

- ◆ Per accendere l'elettrotensile con l'aria a bassa velocità e con calore basso, regolare l'interruttore di accensione sulla posizione I.
- ◆ Per accendere l'elettrotensile con l'aria ad alta velocità e con calore elevato, regolare l'interruttore di accensione sulla posizione II.
- ◆ Per spegnerlo, regolare l'interruttore di accensione sulla posizione O.

Utilizzo dell'elettrotensile

L'elettrotensile è dotato di termostato di sicurezza. L'impiego dell'elettrotensile per periodi molto lunghi o per altri cicli di lavoro gravosi potrebbe causarne il surriscaldamento e l'elettrotensile potrebbe smettere di funzionare. Si consiglia, di conseguenza, di lasciare che l'elettrotensile si raffreddi a intervalli regolari durante l'impiego.

- ◆ Lasciare che l'elettrotensile si riscaldi per alcuni secondi prima dell'impiego.
- ◆ In occasione del primo impiego, si può avere l'esalazione di fumo dall'ugello. Si tratta di un fatto normale che presto diminuirà.
- ◆ Usare una regolazione bassa della temperatura per essiccare la vernice e la lacca, per asportare le etichette adesive, per far restringere i tubi di isolamento e per scongelare le tubazioni ghiacciate.
- ◆ Usare una regolazione della temperatura alta per asportare vernici e lacche e per saldare tubazioni idrauliche.
- ◆ In caso di dubbi sull'utilizzo di questo elettrotensile su un particolare materiale, iniziare a temperatura bassa ed eseguire una prova su un pezzo di materiale di scarto.

Utilizzo senza mani (fig. B)

L'elettrotensile è dotato di punti di appoggio (3) per facilitare l'impiego a mani libere.

- ◆ Appoggiare l'elettrotensile con l'ugello verso l'alto su di una superficie dove non possa essere rovesciato.
- ◆ Fissare il cavo per evitare di strappare l'elettrotensile dal supporto.

Avvertenza! Puntare sempre l'elettrotensile lontano da sé stessi e da altre persone. Non toccare l'ugello. Prestare attenzione a non lasciar cadere materiale sciolto nell'ugello.

Sverniciatura

- ◆ Puntare l'aria calda verso la zona di lavoro per riscaldare la vernice.
- ◆ Non bruciare la vernice. Tenere l'ugello ad almeno 25 mm dalla superficie.
- ◆ Quando la vernice si ammorbidisce, asportarla con un raschietto. Raschiare immediatamente la vernice ammorbidita altrimenti si indurisce di nuovo.

- ◆ Raschiare lungo la grana del legno se del tutto possibile.
- ◆ Non lasciare che vernice e residui si accumulino sul raschietto.
- ◆ Quando si esegue la raschiatura da una posizione verticale, raschiare verso il basso per evitare che la vernice cada dentro all'ugello.
- ◆ Quando si asporta la vernice da una superficie vicino a un vetro, adottare le necessarie misure per proteggere il vetro dal calore.

Avvertenza! Usare un ugello con riflettore quando si asporta la vernice da finestre con telaio in metallo o in legno.

- ◆ Smaltire in modo sicuro i residui di vernice e accertarsi che la zona di lavoro sia pulita a fondo dopo l'impiego.

Raffreddamento

Durante l'impiego, l'ugello dell'elettrotensile diventa estremamente caldo. Dopo lo spegnimento, lasciare che l'elettrotensile si raffreddi per almeno 30 minuti.

- ◆ Appoggiare l'elettrotensile con l'ugello verso l'alto su di una superficie dove non possa essere rovesciato.
- ◆ Per rendere più veloce il tempo di raffreddamento, far funzionare l'elettrotensile sulla temperatura più bassa per alcuni minuti prima di spegnerlo.

Manutenzione

Questo elettrotensile Black & Decker è stato progettato per funzionare a lungo con una manutenzione minima. Per ottenere prestazioni sempre soddisfacenti occorre avere cura dell'elettrotensile e sottoporlo a manutenzione periodica.

Avvertenza! Spegnerne l'elettrotensile, scollegare la spina dalla presa di corrente e lasciarlo raffreddare prima di pulirlo o di eseguire la manutenzione.

- ◆ Le prese di ventilazione dell'elettrotensile devono essere pulite regolarmente con un pennello o un panno morbido e asciutto.
- ◆ Per pulire l'elettrotensile, usare solo sapone neutro e un panno umido. Non usare materiali abrasivi o detersivi a base di solventi. Evitare la penetrazione di liquidi all'interno dell'elettrotensile e non immergere mai nessuna parte dello stesso in sostanze liquide.

Sostituzione della spina (solo Regno Unito e Irlanda)

Se è necessario montare una nuova spina:

- ◆ smaltire in tutta sicurezza quella vecchia;
- ◆ Collegare il filo marrone al morsetto sotto tensione della nuova spina.
- ◆ Collegare il filo blu al morsetto neutro.

Attenzione! Non effettuare nessun collegamento sul morsetto di terra. Seguire le istruzioni fornite con le spine di buona qualità. Fusibile consigliato: 13 A.

Protezione dell'ambiente



Raccolta differenziata. Questo prodotto non deve essere smaltito con i normali rifiuti domestici.

Nel caso in cui l'elettrotensile Black & Decker debba essere sostituito o non sia più necessario, non smaltirlo con i normali rifiuti domestici. Metterlo da parte per la raccolta differenziata.



La raccolta differenziata dei prodotti e degli imballaggi utilizzati consente il riciclaggio dei materiali e il loro continuo utilizzo. Il riutilizzo dei materiali riciclati favorisce la protezione dell'ambiente prevenendo l'inquinamento e riduce il fabbisogno di materie prime.

Seguire la regolamentazione locale per la raccolta differenziata dei prodotti elettrici che può prevedere punti di raccolta o la consegna dell'elettrotensile al rivenditore presso il quale viene acquistato un nuovo prodotto.

Black & Decker offre ai propri clienti la possibilità di riciclare i prodotti Black & Decker che hanno esaurito la loro vita di servizio. Per usufruire di tale servizio, è sufficiente restituire il prodotto a qualsiasi tecnico autorizzato, incaricato della raccolta per conto dell'azienda.

Per individuare il tecnico autorizzato più vicino, rivolgersi alla sede Black & Decker locale, presso il recapito indicato nel presente manuale. Altrimenti, un elenco completo di tutti i tecnici autorizzati Black & Decker e i dettagli completi sui contatti e i servizi post-vendita sono disponibili su Internet all'indirizzo: www.2helpU.com

Dati tecnici

		KX1650 (Tipo 1)
Tensione in ingresso	$V_{c.a.}$	230
Tipo		Classe II
Potenza assorbita	W	1750
Gamma di temperature	$^{\circ}C$	460 - 600
Peso	kg	0.6

Garanzia

Certa della qualità dei suoi prodotti, Black & Decker offre una **garanzia eccezionale**. Il presente certificato di garanzia è complementare ai diritti legali e non li pregiudica in alcun modo. La garanzia è valida entro il territorio degli Stati membri dell'Unione Europea e dell'EFTA (European Free Trade Area).

Se un prodotto Black & Decker risulta difettoso per qualità del materiale, della costruzione o per mancata conformità entro 24 mesi dalla data di acquisto, Black & Decker garantisce la sostituzione delle parti difettose, provvede alla riparazione dei prodotti se ragionevolmente usurati oppure alla loro sostituzione, in modo da ridurre al minimo il disagio del cliente a meno che:

- ◆ il prodotto non sia stato destinato a usi commerciali, professionali o al noleggio;
- ◆ il prodotto non sia stato usato in modo improprio o scorretto;
- ◆ il prodotto non abbia subito danni causati da oggetti o sostanze estranee oppure incidenti;
- ◆ il prodotto non abbia subito tentativi di riparazione non effettuati da tecnici autorizzati né dall'assistenza Black & Decker.

Per attivare la garanzia è necessario esibire la prova di acquisto al venditore o al tecnico autorizzato. Per individuare il tecnico autorizzato più vicino, rivolgersi alla sede Black & Decker locale, presso il recapito indicato nel presente manuale. Altrimenti, un elenco completo di tutti i tecnici autorizzati Black & Decker e i dettagli completi sui contatti e i servizi post-vendita sono disponibili su Internet all'indirizzo: www.2helpU.com

I clienti che desiderano registrare il nuovo prodotto Black & Decker e ricevere gli aggiornamenti sui nuovi prodotti e le offerte speciali, sono invitati a visitare il sito Web (www.blackanddecker.it). Ulteriori informazioni sul marchio e la gamma di prodotti Black & Decker sono disponibili all'indirizzo www.blackanddecker.it.

Beoogd gebruik

Het hetelucht pistool van Black & Decker is ontworpen voor verscheidene heteluchttoepassingen zoals het afbranden van verf. Dit product is uitsluitend bestemd voor binnenshuis consumentengebruik.

Veiligheidsinstructies

Algemene veiligheidswaarschuwingen voor elektrisch gereedschap



Waarschuwing! Lees alle veiligheidswaarschuwingen en alle instructies. Wanneer de volgende waarschuwingen en voorschriften niet in acht worden genomen, kan dit een elektrische schok, brand of ernstig letsel tot gevolg hebben.

Bewaar alle waarschuwingen en instructies als referentiemateriaal. Het hierna gebruikte begrip 'elektrisch gereedschap' heeft betrekking op elektrische gereedschappen voor gebruik op de netspanning (met netsnoer) of op een accu (snoerloos).

1. Veilige werkomgeving

- a. **Houd uw werkomgeving schoon en opgeruimd.** Een rommelige of slecht verlichte werkomgeving kan tot ongevallen leiden.
- b. **Gebruik elektrisch gereedschap niet in een omgeving met explosiegevaar, zoals in de nabijheid van brandbare vloeistoffen, gassen of stof.** Elektrisch gereedschap veroorzaakt vonken die het stof of de dampen tot ontsteking kunnen brengen.
- c. **Houd kinderen en andere personen tijdens het gebruik van elektrisch gereedschap uit de buurt.** Wanneer u wordt afgeleid, kunt u de controle over het gereedschap verliezen.

2. Elektrische veiligheid

- a. **De netstekker van het gereedschap moet in het stopcontact passen.** De stekker mag in geen geval worden omgebouwd. Gebruik geen adapterstekkers in combinatie met geaarde gereedschappen. Niet-omgebouwde stekkers en passende stopcontacten beperken het risico van een elektrische schok.
- b. **Vermijd aanraking van het lichaam met geaarde oppervlakken, bijvoorbeeld buizen, verwarmingen, fornuizen en koelkasten.** Er bestaat een verhoogd risico op een elektrische schok wanneer uw lichaam geaard is.
- c. **Houd het gereedschap uit de buurt van regen en vocht.** Het binnendringen van water in het elektrische gereedschap vergroot het risico van een elektrische schok.

- d. **Gebruik het snoer niet voor een verkeerd doel.** Gebruik het snoer niet om het gereedschap te dragen of op te hangen of om de stekker uit het stopcontact te trekken. Houd het snoer uit de buurt van hitte, olie, scherpe randen of bewegende delen. Beschadigde of in de war geraakte snoeren vergroten het risico van een elektrische schok.
- e. **Wanneer u buitenshuis met elektrisch gereedschap werkt, dient u alleen verlengsnoeren te gebruiken die zijn goedgekeurd voor gebruik buitenshuis.** Het gebruik van een verlengsnoer dat geschikt is voor gebruik buitenshuis, beperkt het risico van een elektrische schok.
- f. **Als u een elektrisch gereedschap moet gebruiken in een vochtige locatie, moet u een reststroomschakelaar (RCD) gebruiken.** Met een aardlekschakelaar wordt het risico van een elektrische schok verkleind.

3. Veiligheid van personen

- a. **Wees alert, let goed op wat u doet en ga met verstand te werk bij het gebruik van elektrische gereedschappen.** Gebruik elektrisch gereedschap niet wanneer u moe bent of onder invloed van drugs, alcohol of medicijnen. Een moment van onoplettendheid bij het gebruik van het gereedschap kan leiden tot ernstige verwondingen.
- b. **Draag een persoonlijke beschermende uitrusting.** Draag altijd een veiligheidsbril. Het dragen van een persoonlijke beschermende uitrusting zoals een stofmasker, slipvaste werkschoenen, een veiligheidshelm of gehoorbescherming, afhankelijk van de aard en het gebruik van het elektrische gereedschap, vermindert het risico van verwondingen.
- c. **Voorkom per ongeluk inschakelen.** Controleer of de schakelaar in de uit-stand staat voordat u het gereedschap aansluit op het stopcontact en/of de accu en voordat u het gereedschap optilt of gaat dragen. Wanneer u bij het dragen van het gereedschap uw vinger op de schakelaar houdt of wanneer u het gereedschap per ongeluk inschakelt, kan dat leiden tot ongevallen.
- d. **Verwijder instelgereedschappen of schroef sleutels voordat u het gereedschap inschakelt.** Een instelgereedschap of sleutel in een draaiend deel van het gereedschap kan tot verwondingen leiden.
- e. **Reik niet te ver.** Zorg er altijd voor dat u stevig staat en in evenwicht blijft. Daardoor kunt u het gereedschap in onverwachte situaties beter onder controle houden.
- f. **Draag geschikte kleding.** Draag geen loshangende kleding of sieraden. Houd haren, kleding en handschoenen uit de buurt van bewegende delen. Loshangende kleding, sieraden en lange haren kunnen door bewegende delen worden meegenomen.

g. Wanneer stofafzuigings- of stofopvangvoorzieningen kunnen worden gemonteerd, dient u zich ervan te verzekeren dat deze zijn aangesloten en juist worden gebruikt. Het gebruik van stofopvangvoorzieningen beperkt het gevaar door stof.

4. Gebruik en onderhoud van elektrisch gereedschap

- a. **Overbelast het gereedschap niet.** Gebruik het geschikte elektrische gereedschap voor uw toepassing. Met het geschikte elektrische gereedschap werkt u beter en veiliger binnen het aangegeven capaciteitsbereik.
- b. **Gebruik geen elektrisch gereedschap waarvan de schakelaar defect is.** Elektrisch gereedschap dat niet meer kan worden in- of uitgeschakeld, is gevaarlijk en moet worden gerepareerd.
- c. **Trek de stekker uit het stopcontact en/of verwijder de accu uit het elektrisch gereedschap voordat u het gereedschap instelt, toebehoren wisselt of het gereedschap opbergt.** Met deze voorzorgsmaatregel voorkomt u onbedoeld starten van het gereedschap.
- d. **Bewaar niet-gebruikte elektrische gereedschappen buiten bereik van kinderen.** Laat het gereedschap niet gebruiken door personen die er niet vertrouwd mee zijn en deze aanwijzingen niet hebben gelezen. Elektrische gereedschappen zijn gevaarlijk wanneer deze door onervaren personen worden gebruikt.
- e. **Verzorg het gereedschap zorgvuldig.** Controleer of bewegende delen van het gereedschap correct functioneren en niet klemmen, en of er onderdelen zodanig zijn gebroken of beschadigd dat de werking van het gereedschap nadelig wordt beïnvloed. Laat beschadigde delen repareren voordat u het gereedschap gebruikt. Veel ongevallen worden veroorzaakt door slecht onderhouden elektrische gereedschappen.
- f. **Houd snijdende inzetgereedschappen scherp en schoon.** Zorgvuldig onderhouden snijdende inzetgereedschappen met scherpe snijkanten klemmen minder snel en zijn gemakkelijker te besturen.
- g. **Gebruik elektrische gereedschappen, toebehoren, inzetgereedschappen en dergelijke volgens deze aanwijzingen.** Let daarbij op de arbeidsomstandigheden en de uit te voeren werkzaamheden. Het gebruik van elektrische gereedschappen voor andere dan de bedoelde toepassingen kan leiden tot gevaarlijke situaties.

5. Onderhoud

- a. **Laat het gereedschap alleen repareren door gekwalificeerd en vakkundig personeel en alleen met originele vervangingsonderdelen.** Daarmee wordt de veiligheid van het gereedschap gewaarborgd.

Aanvullende veiligheidswaarschuwingen voor elektrisch gereedschap



Waarschuwing! Aanvullende veiligheidsinstructies voor hetelucht pistolen.

Waarschuwing: Gebruik het apparaat niet in de buitenlucht maar alleen binnenshuis.

Waarschuwing: Dit apparaat moet op de standaard worden geplaatst wanneer het niet wordt gebruikt.

Waarschuwing: Er kan brand ontstaan indien het apparaat niet met zorg wordt behandeld; wees daarom voorzichtig wanneer het apparaat wordt gebruikt op plaatsen waar zich ontvlambaar materiaal bevindt.

- ◆ Zorg ervoor dat de hete lucht niet langdurig op dezelfde plek wordt toegepast.
- ◆ Gebruik het apparaat niet op plaatsen waar ontploffingsgevaar dreigt.
- ◆ Let erop dat de hete lucht niet wordt toegepast op brandbaar materiaal dat zich buiten zicht bevindt.
- ◆ Plaats het apparaat na gebruik op de standaard zodat het kan afkoelen voordat het wordt opgeborgen.
- ◆ Laat het apparaat niet onbeheerd achter wanneer het is ingeschakeld.
- ◆ De luchtinlaatgleuven en de uitlaat van het mondstuk mogen niet worden geblokkeerd omdat daardoor een opeenhoping van hete lucht kan ontstaan hetgeen het apparaat kan beschadigen.
- ◆ Richt de hete lucht niet op mensen of dieren.
- ◆ Het mondstuk mag niet worden aangeraakt omdat het tijdens gebruik zeer heet wordt en heet blijft tot 30 minuten na gebruik.
- ◆ Plaats het mondstuk niet tijdens of onmiddellijk na gebruik tegen een voorwerp.
- ◆ Steek geen voorwerpen in het mondstuk, hierdoor ontstaat de kans op een elektrische schok.
- ◆ Kijk niet in het mondstuk terwijl het apparaat is ingeschakeld.
- ◆ Het apparaat mag niet als haardroger worden gebruikt! De luchttemperatuur is veel hoger dan die van een haardroger.
- ◆ Zorg voor voldoende ventilatie tijdens het gebruik omdat er giftige gassen kunnen ontstaan.
- ◆ Het apparaat mag niet in een vochtige ruimte worden gebruikt.
- ◆ Wanneer u verf afbrandt, moet u ervoor zorgen dat het werkgebied is omsloten. Draag een stofmasker dat speciaal is gemaakt voor bescherming tegen stof van loodverf en gassen, en zorg ervoor dat personen die zich in het werkgebied bevinden of het werkgebied betreden tevens beschermd zijn.
- ◆ De verf mag niet verbranden omdat hierdoor brand kan ontstaan.

- ◆ Zorg ervoor dat verf niet aan het mondstuk blijft kleven omdat het na verloop van tijd kan ontvlammen.
- ◆ Schakel het apparaat uit en laat het afkoelen voordat u er een (ander) hulpstuk op plaatst.

Afbranden van loodverf

- ◆ Uiterste voorzichtigheid dient te worden betracht tijdens het afbranden van verf. De schilfers, overblijfselen en dampen van de verf kunnen lood bevatten wat giftig is. Alle gebouwen van vóór 1960 kunnen in het verleden zijn geschilderd met loodverf. Het is mogelijk dat deze verf is bedekt met meerdere lagen verf. Zodra de verf aan de oppervlakte komt, kan contact tussen de hand en de mond leiden tot de inname van lood.
- ◆ Ook blootstaan aan kleine hoeveelheden lood kan tot permanente beschadiging aan de hersenen en het zenuwstelsel leiden. Het grootste risico van loodvergiftiging bestaat voor kinderen en bij zwangerschap.
- ◆ Voordat u met de werkzaamheden begint, is het van belang dat wordt vastgesteld of de verf die wordt afgebrand lood bevat. Dit kan worden gedaan door middel van onderzoekmateriaal of door een bevoegd schildersbedrijf. Zorg ervoor dat er niet wordt gerookt, gegeten of gedronken in een werkgebied waar zich lood bevindt of kan bevinden. Loodverf mag alleen door een daartoe bevoegd persoon worden verwijderd en mag niet met een heteluchtpistool worden verwijderd.

Veiligheid van anderen

- ◆ Dit apparaat mag niet worden gebruikt door personen (waaronder kinderen) met een lichamelijke of geestelijke beperking of die geen ervaring met of kennis van dit apparaat hebben, tenzij ze onder toezicht staan of instructies krijgen wat betreft het gebruik van het apparaat van een persoon die verantwoordelijk is voor hun veiligheid.
- ◆ Houd toezicht op kinderen om ervoor te zorgen dat zij niet met het apparaat gaan spelen.

Overige risico's

Er kunnen zich tijdens het gebruik van het gereedschap ook andere risico's voordoen, die misschien niet in de bijgevoegde veiligheidswaarschuwingen worden vermeld. Deze risico's kunnen zich voordoen als gevolg van onoordeelkundig gebruik, langdurig gebruik, enz.

Zelfs als de veiligheidsvoorschriften in acht worden genomen en de veiligheidsvoorzieningen worden geïmplementeerd, kunnen bepaalde risico's niet worden vermeden. Deze omvatten:

- ◆ **Verwondingen die worden veroorzaakt door het aanraken van draaiende of bewegende onderdelen.**
- ◆ **Verwondingen die worden veroorzaakt bij het vervangen van onderdelen, bladen of accessoires.**

- ◆ **Verwondingen die worden veroorzaakt door langdurig gebruik van het gereedschap. Als u langere periodes met het gereedschap werkt, is het raadzaam om regelmatig een pauze in te lassen.**
- ◆ **Gehoorschadiging.**
- ◆ **Gezondheidsrisico's als gevolg van het inademen van stof dat door gebruik van het gereedschap wordt veroorzaakt (bijvoorbeeld tijdens het werken met hout, vooral eiken, beuken en MDF.)**

Labels op het gereedschap

Het apparaat is voorzien van de volgende pictogrammen:



Waarschuwing! De gebruiker moet de instructiehandleiding lezen om het risico op letsel te verminderen.

Elektrische veiligheid



Dit gereedschap is dubbel geïsoleerd. Een aardaansluiting is daarom niet noodzakelijk. Controleer altijd of uw netspanning overeenkomt met de waarde op het typeplaatje.

- ◆ Als het netsnoer is beschadigd, moet dit worden vervangen door de fabrikant of een Black & Decker-servicecentrum om gevaren te voorkomen.

Verlengsnoeren

- ◆ Twee- of drie-aderige snoeren mogen worden gebruikt omdat het apparaat dubbel geïsoleerd is en de uitvoering klasse II betreft.
- ◆ U kunt een snoer van maximaal 30 m gebruiken zonder vermogensverlies.

Onderdelen

Dit gereedschap kan de volgende onderdelen bevatten:

1. Aan-/uitschakelaar
2. Mondstuk

Montage

Waarschuwing! Zorg vóór aanvang van de montage dat het apparaat is uitgeschakeld en de netstekker is losgekoppeld van het lichtnet.

Een hulpstuk aanbrengen

Er is een selectie hulpstukken beschikbaar bij uw lokale detailhandel.

- **Kegelvormig mondstuk:** concentreert de luchtstroom op een kleiner vlak.
- **Warmtespreidend mondstuk:** verspreid de luchtstroom over een groter gebied

- **Lepelvorming reflectormondstuk:** voor het solderen van buizen.
- **Glasbeschermend mondstuk:** voor de bescherming van glas tijdens het afbranden van verf.
- **Schraper:** voor het afbranden en verwijderen van verf en lak.
- ◆ Plaats het verbindingsdeel van het hulpstuk over het mondstuk(2).

Gebruik van het gereedschap

In- en uitschakelen

- ◆ U schakelt het gereedschap in op lage lichtsnelheid, en een lage temperatuur door de aan-/uitschakelaar in de positie I te zetten.
- ◆ U schakelt het gereedschap in op hoge lichtsnelheid, en een hoge temperatuur door de aan-/uitschakelaar in de positie II te zetten.
- ◆ U schakelt het gereedschap uit door de aan-/uitschakelaar in de stand O te zetten.

Het gereedschap gebruiken

Vanwege veiligheidsredenen heeft dit apparaat een thermostaat. Wanneer het gereedschap erg lang of een tijd op volle kracht wordt gebruikt, kan het oververhitten en uitschakelen. Het wordt daarom aangeraden het gereedschap regelmatig te laten afkoelen tijdens gebruik.

- ◆ Laat het gereedschap enkele seconden voor gebruik opwarmen.
- ◆ De eerste keer kan er wat rook uit het mondstuk komen. Dit is normaal en zal snel minder worden.
- ◆ Gebruik een lage temperatuurinstelling voor het drogen van verf en lak, verwijderen van stickers, slinken van iso-leerbuizen en voor het ontdooien van bevroren leidingen.
- ◆ Gebruik een hoge temperatuurinstelling voor het verwijderen van verf en lak en voor het solderen van sanitairnaden.
- ◆ Als u niet zeker weet of u dit gereedschap kunt gebruiken voor een bepaald materiaal, begin dan met een lage temperatuurinstelling en test eerst een klein stukje materiaal.

Handsfree gebruik (fig. A)

Het gereedschap heeft verschillende standen (3) waarmee het handsfree kan worden gebruikt.

- ◆ Plaats het gereedschap met het mondstuk omhoog op een oppervlak waar het niet kan omkantelen.
- ◆ Maak het snoer vast om te voorkomen dat het gereedschap wordt omgetrokken.

Waarschuwing! Zorg dat het gereedschap niet op u zelf of anderen is gericht. Raak het mondstuk niet aan. Zorg dat er niks in het mondstuk kan vallen.

Verf afbranden

- ◆ Richt de hete lucht op het werkgebied om de verf te verhitten.
- ◆ Zorg ervoor dat de verf niet verbrandt. Houd het mondstuk tenminste 25 mm van het oppervlak verwijderd.
- ◆ Verwijder de verf met de schraper zodra de verf zacht wordt. Schraap de zachte verf onmiddellijk af voordat deze weer hard wordt.
- ◆ Schraap waar mogelijk in de richting van de houtnerf.
- ◆ Laat geen verf en afval op de schraper ophopen.
- ◆ Wanneer in verticale positie wordt geschraapt, schraap dan naar beneden zodat er geen verf terugvalt in het mondstuk.
- ◆ Wanneer verf wordt verwijderd van een oppervlak naast glas, neem dan de benodigde maatregelen om het glas tegen de hitte te beschermen.

Waarschuwing! Gebruik een glasbeschermend mondstuk wanneer verf van ramen met metalen of houten kozijnen wordt verwijderd.

- ◆ Verwijder op veilige wijze alle verfresten en zorg ervoor dat het werkgebied goed schoon is na gebruik.

Afkoelen

Het mondstuk wordt tijdens gebruik van het gereedschap zeer heet. Zorg dat het gereedschap minstens een half uur afkoelt nadat u het hebt uitgeschakeld.

- ◆ Plaats het gereedschap met het mondstuk omhoog op een oppervlak waar het niet kan omkantelen.
- ◆ Teneinde het afkoelen te bespoedigen kunt u het gereedschap enkele minuten lang op de minimumtemperatuur laten werken voordat het wordt uitgeschakeld.

Onderhoud

Uw Black & Decker-apparaat is ontworpen om gedurende een lange periode te functioneren met een minimum aan onderhoud. U kunt het apparaat naar volle tevredenheid blijven gebruiken als u voor correct onderhoud zorgt en het apparaat regelmatig schoonmaakt.

Waarschuwing! Schakel het apparaat uit, verwijder het van de netspanning en laat het afkoelen voordat onderhoud wordt uitgevoerd.

- ◆ Reinig regelmatig de ventilatieopeningen van het apparaat met een zachte borstel of droge doek.
- ◆ Reinig het apparaat uitsluitend met een milde reinigingsoplossing en een vochtige doek. Gebruik geen schuur- of oplosmiddel. Voorkom dat vloeistof het apparaat binnendringt en dompel nooit enig onderdeel van het apparaat in vloeistof onder.

Netstekker vervangen (alleen V.K. en Ierland)

Als er een nieuwe netstekker moet worden aangebracht:

- ◆ Gooi de oude stekker op verantwoorde wijze weg.

- ◆ Verbind de bruine draad met de spannings-/fasepool in de nieuwe stekker.
- ◆ Verbind de blauwe draad met de nul-/neutraalpool.

Waarschuwing! De aardepool hoeft niet te worden aangesloten. Volg de bevestigingsinstructies die met hoogwaardige stekkers worden meegeleverd. Aanbevolen zekering: 13 A.

Milieu



Aparte inzameling. Dit product mag niet met normaal huishoudelijk afval worden weggegooid.

Mocht u op een dag constateren dat het Black & Decker-product aan vervanging toe is of dat u het apparaat niet meer nodig hebt, gooi het product dan niet bij het restafval. Het product valt onder de categorie voor elektrische apparaten.



Gescheiden inzameling van gebruikte producten en verpakkingsmaterialen maakt het mogelijk materialen te recyclen en opnieuw te gebruiken. Hergebruik van gerecycleerde materialen zorgt voor minder milieuvuiling en dringt de vraag naar grondstoffen terug.

Plaatselijke verordeningen kunnen voorzien in gescheiden inzameling van huishoudelijke elektrische producten via gemeentelijke stortplaatsen of via de leverancier bij wie u een nieuw product aanschaft.

Black & Decker biedt de mogelijkheid tot het recyclen van afgedankte Black & Decker-producten. Om gebruik te maken van deze service, dient u het product naar een van onze servicecentra te sturen, die de inzameling voor ons verzorgen.

U kunt het adres van het dichtstbijzijnde servicecentrum opvragen via de adressen op de achterzijde van deze handleiding. U kunt ook een lijst van onze servicecentra en meer informatie m.b.t. onze klantenservice vinden op het volgende internetadres: www.2helpU.com

Technische gegevens

		KX1650 (type 1)
Ingangsspanning	V_{AC}	230
Constructie		Klasse II
Opgenomen vermogen	W	1750
Temperatuurbereik	$^{\circ}C$	460 - 600
Gewicht	kg	0,6

Garantie

Black & Decker heeft vertrouwen in haar producten en biedt een uitstekende garantie. Deze garantiebepalingen vormen een aanvulling op uw wettelijke rechten en beperken deze niet. De garantie geldt in de lidstaten van de Europese Unie en de Europese Vrijhandelsassociatie.

Mocht uw Black & Decker product binnen 24 maanden na de datum van aankoop defect raken ten gevolge van materiaal- of constructiefouten, dan garanderen wij de kosteloze vervanging van defecte onderdelen, de reparatie van het product of de vervanging van het product, tenzij:

- ◆ Het product is gebruikt voor handelsdoeleinden, professionele toepassingen of verhuurdoeleinden.
- ◆ Het product onoordeelkundig is gebruikt.
- ◆ Het product is beschadigd door invloeden van buitenaf of door een ongeval.
- ◆ Reparaties zijn uitgevoerd door anderen dan onze servicecentra of Black & Decker-personeel.

Om een beroep te doen op de garantie, dient u een aankoopbewijs te overhandigen aan de verkoper of een van onze servicecentra. U kunt het adres van het dichtstbijzijnde servicecentrum opvragen via de adressen op de achterzijde van deze handleiding. U kunt ook een lijst van onze servicecentra en meer informatie m.b.t. onze klantenservice vinden op het volgende internetadres: www.2helpU.com

Meld u aan op onze website www.blackanddecker.nl om te worden geïnformeerd over nieuwe producten en speciale aanbiedingen. Verdere informatie over het merk Black & Decker en onze producten vindt u op www.blackanddecker.nl.

Uso previsto

La pistola de aire caliente Black & Decker ha sido diseñada para diversas aplicaciones de calentamiento, tales como la remoción de pintura. Este producto está pensado únicamente para uso doméstico en interiores.

Instrucciones de seguridad

Advertencias de seguridad generales para herramientas eléctricas



¡Atención! Lea todas las advertencias e instrucciones de seguridad. En caso de no atenerse a las siguientes advertencias e instrucciones de seguridad, podría producirse una descarga eléctrica, incendio o lesión grave.

Guarde todas las advertencias e instrucciones para futuras consultas. El término "herramienta eléctrica" empleado en las advertencias a continuación hace referencia a la herramienta eléctrica con alimentación de red (con cable) o alimentada por batería (sin cable).

1. Seguridad del área de trabajo

- Mantenga limpia y bien iluminada el área de trabajo. El desorden o una iluminación deficiente en las áreas de trabajo puede provocar accidentes.
- No utilice la herramienta eléctrica en un entorno con **peligro de explosión, en el que se encuentren líquidos, gases o material en polvo inflamables**. Las herramientas eléctricas producen chispas que pueden llegar a inflamar el polvo o los vapores.
- Cuando utilice la herramienta eléctrica, mantenga alejados a los niños y a otras personas del área de trabajo. Una distracción le puede hacer perder el control sobre la herramienta.

2. Seguridad eléctrica

- El enchufe de la herramienta eléctrica debe corresponder a la toma de corriente utilizada. **No modifique el enchufe. No emplee adaptadores** en herramientas eléctricas dotadas con toma de tierra. Estas pautas le ayudarán a reducir el riesgo de descargas eléctricas.
- Evite tocar partes conectadas a tierra como tuberías, radiadores, cocinas y refrigeradores. El riesgo de descarga eléctrica es mayor si el usuario entra en contacto con elementos conectados a tierra.
- No exponga las herramientas eléctricas a la lluvia y **evite que penetren líquidos en su interior**, ya que existe el peligro de recibir una descarga eléctrica.

- Cuide el cable de alimentación. No lo utilice para transportar o colgar la herramienta eléctrica, ni tire de él para sacar el enchufe de la toma de corriente. **Manténgalo alejado del calor, aceite, bordes afilados o piezas móviles**. Los cables de red dañados o enredados incrementan el riesgo de descarga eléctrica.
- Si trabaja con la herramienta eléctrica en el exterior, utilice solamente cables de prolongación homologados para uso en exteriores. Esto le ayudará a reducir el riesgo de descarga eléctrica.
- Si la utilización de una herramienta eléctrica en un lugar húmedo es inevitable, utilice una fuente protegida con un dispositivo de corriente residual (RCD). La utilización de un RCD reduce el riesgo de sufrir descargas eléctricas.

3. Seguridad personal

- Esté atento a lo que hace y utilice la herramienta eléctrica con prudencia. No utilice la herramienta eléctrica si estuviese cansado, ni tampoco después de haber consumido alcohol, drogas o medicamentos**. Si desatiende la herramienta, aunque sea durante unos instantes, puede haber riesgo de lesiones graves.
- Utilice material de protección personal. Utilice siempre gafas de protección. El riesgo de lesiones se reduce considerablemente si se utiliza material de protección adecuado como una mascarilla antipolvo, zapatos de seguridad con suela antideslizante, casco o protectores auditivos.
- Impida que la herramienta se ponga en marcha accidentalmente. Asegúrese de que el interruptor de encendido/apagado se encuentre en la posición de apagado antes de conectar la herramienta a la fuente de alimentación o a la batería, o de coger o transportar la herramienta**. Transportar la herramienta eléctrica con el dedo sobre el interruptor o enchufarla con el interruptor encendido puede provocar accidentes.
- Retire las herramientas de ajuste o llaves fijas antes de conectar la herramienta eléctrica**. Una herramienta o llave colocada en una pieza giratoria de la herramienta puede producir lesiones al ponerse ésta en marcha.
- Sea precavido. Evite adoptar una posición que fatigue su cuerpo; mantenga un apoyo firme sobre el suelo y conserve el equilibrio en todo momento**. Ello le permitirá controlar mejor la herramienta eléctrica en caso de presentarse una situación inesperada.
- Vístase con la ropa adecuada. No lleve ropa holgada ni joyas. Aleje el pelo, la ropa y los guantes de las piezas móviles**. La ropa holgada, las joyas y el pelo largo se pueden enganchar con las piezas en movimiento.

- g. Siempre que sea posible utilizar unos equipos de aspiración o captación de polvo, asegúrese de que éstos estén montados y que sean utilizados correctamente.** El empleo de estos equipos reduce los riesgos derivados del polvo.
4. **Uso y cuidado de herramientas eléctricas**
- a. **No sobrecargue la herramienta eléctrica.** Use la herramienta adecuada para cada aplicación. Con la herramienta eléctrica adecuada podrá trabajar mejor y más seguro dentro del margen de potencia indicado.
- b. **No utilice herramientas eléctricas con un interruptor defectuoso.** Las herramientas eléctricas que no se puedan conectar o desconectar son peligrosas y deben hacerse reparar.
- c. **Desconecte de la herramienta eléctrica el enchufe de la fuente de alimentación y de la batería antes de realizar cualquier ajuste, cambiar accesorios o guardar la herramienta.** Esta medida preventiva reduce el riesgo de encender accidentalmente la herramienta eléctrica.
- d. **Guarde las herramientas eléctricas fuera del alcance de los niños y de las personas que no estén familiarizadas con su uso.** Las herramientas eléctricas utilizadas por personas inexpertas son peligrosas.
- e. **Cuide sus herramientas eléctricas con esmero.** Controle si funcionan correctamente, sin atascarse, las partes móviles de la herramienta eléctrica, y si existen partes rotas o deterioradas que pudieran afectar al funcionamiento de la herramienta. Si la herramienta eléctrica estuviese defectuosa haga que la reparen antes de volver a utilizarla. Muchos accidentes se deben a herramientas eléctricas con un mantenimiento deficiente.
- f. **Mantenga las herramientas de corte limpias y afiladas.** Las herramientas de corte mantenidas correctamente se dejan guiar y controlar mejor.
- g. **Utilice la herramienta eléctrica, los accesorios, los útiles de la herramienta, etc. de acuerdo con estas instrucciones, y tenga en cuenta las condiciones de trabajo y la tarea que se va a realizar.** El uso de herramientas eléctricas para trabajos diferentes de aquellos para los que han sido concebidas puede resultar peligroso.
5. **Servicio técnico**
- a. **Esta herramienta eléctrica solo la puede reparar personal técnico autorizado que emplee exclusivamente piezas de repuesto originales.** Solamente así se garantiza la seguridad de la herramienta eléctrica.

Advertencias de seguridad adicionales para herramientas eléctricas



¡Atención! Instrucciones de seguridad adicionales para pistolas de aire caliente.

Atención: Utilícela únicamente en interiores, no en exteriores.
Atención: Este aparato debe colocarse en su soporte cuando no se utilice.

Atención: Si el aparato no se usa con cuidado, puede producirse un incendio y, por lo tanto, se debe estar atento al utilizarlo en lugares donde hay materiales combustibles.

- ◆ No aplique calor durante mucho tiempo en el mismo lugar.
- ◆ No utilice este aparato en presencia de una atmósfera explosiva.
- ◆ Sea consciente de que el calor puede ser conducido a materiales combustibles que están fuera de la vista.
- ◆ Coloque el aparato en su soporte después de utilizarlo y espere a que se enfríe antes de guardarlo.
- ◆ Preste atención al aparato en todo momento cuando esté encendido.
- ◆ No obstruya las ranuras de entrada de aire ni la salida de la boquilla, puesto que puede generarse una acumulación de calor excesiva y dañarse el aparato.
- ◆ No dirija el chorro de aire caliente a ninguna persona o animal.
- ◆ No toque la boquilla, ya que durante su utilización alcanza temperaturas elevadas que se mantienen hasta 30 minutos después de utilizar el aparato.
- ◆ No coloque la boquilla contra ningún objeto durante o inmediatamente después de utilizar el aparato.
- ◆ No introduzca ningún objeto en la boquilla, ya que puede ocasionarle una descarga eléctrica.
- ◆ No mire dentro de la boquilla mientras el aparato está encendido.
- ◆ ¡No utilice el aparato para secarse el pelo! La temperatura del aire es mucho mayor que la de un secador de pelo.
- ◆ Asegure una ventilación adecuada durante la utilización, ya que pueden producirse humos tóxicos.
- ◆ No utilice el aparato en atmósferas húmedas.
- ◆ Cuando remueva pintura, asegúrese de que el área de trabajo está cerrada. Utilice una mascarilla contra el polvo diseñada específicamente para proteger contra el polvo y las emanaciones de pinturas con contenido de plomo, y asegúrese de que las demás personas que se encuentren dentro, o que penetren en el área de trabajo, también estén protegidas.
- ◆ No queme la pintura, ya que podría causar un riesgo de incendio.
- ◆ No permita que la pintura se adhiera a la boquilla, ya que podría prenderse fuego transcurrido algún tiempo.
- ◆ Apague el aparato y deje que se enfríe antes de colocarle cualquier accesorio.

Remoción de pintura de base de plomo

- ◆ Debe tenerse especial cuidado al remover pintura. Las películas, los residuos y los vapores de la pintura pueden contener plomo, que es venenoso. Es posible que los edificios anteriores a 1960 hayan sido pintados con pinturas que contienen plomo. Esta pintura puede estar cubierta con capas de pintura adicionales. Una vez depositado en las superficies, el plomo puede ser ingerido con tan solo llevarse la mano a la boca.
- ◆ Las exposiciones incluso a niveles bajos de plomo pueden causar daños cerebrales y del sistema nervioso irreversibles. El mayor peligro de envenenamiento con plomo es para los niños y las mujeres embarazadas.
- ◆ Antes de comenzar a trabajar, es importante determinar si la pintura que se va a remover contiene plomo. Esto puede hacerse utilizando un equipo de prueba o los servicios de un decorador profesional. No fume, coma ni beba en un área de trabajo que podría estar contaminada con plomo. Las pinturas de base de plomo sólo deben ser removidas por un profesional y no debe utilizarse una pistola de aire caliente.

Seguridad de terceros

- ◆ Ninguna persona (incluyendo niños) con capacidades físicas, sensoriales o mentales disminuidas, o que carezca de experiencia y conocimientos, debe utilizar este aparato, salvo que haya recibido supervisión o formación con respecto al uso del aparato por parte de una persona responsable de su seguridad.
- ◆ Los niños deben vigilarse en todo momento para garantizar que el aparato no se toma como elemento de juego.

Riesgos residuales.

El uso de esta herramienta puede producir riesgos residuales adicionales no incluidos en las advertencias de seguridad adjuntas. Estos riesgos se pueden generar por un uso incorrecto, demasiado prolongado, etc.

El cumplimiento de las normas de seguridad correspondientes y el uso de dispositivos de seguridad no evitan ciertos riesgos residuales. Estos riesgos incluyen:

- ◆ Lesiones producidas por el contacto con piezas móviles o giratorias.
- ◆ Lesiones producidas al cambiar cualquier pieza, cuchilla o accesorio.
- ◆ Lesiones producidas al usar una herramienta por un tiempo demasiado prolongado. Si utiliza una herramienta durante períodos de tiempo demasiado prolongados, asegúrese de realizar pausas con frecuencia.
- ◆ Discapacidad auditiva.
- ◆ Riesgos para la salud producidos al respirar el polvo que se genera al usar la herramienta (por ejemplo: en los trabajos con madera, especialmente de roble, haya y tableros de densidad mediana).

Etiquetas en la herramienta

Encontrará los siguientes pictogramas en la herramienta:



¡Atención! Para reducir el riesgo de lesiones, el usuario debe leer el manual de instrucciones.

Seguridad eléctrica



Esta herramienta lleva un doble aislamiento; por lo tanto, no requiere una toma a tierra. Compruebe siempre que la tensión de la red corresponda con el valor indicado en la placa de datos de la herramienta.

- ◆ Si el cable de alimentación está dañado, debe ser sustituido por el fabricante o en un centro de asistencia técnica autorizado de Black & Decker para evitar cualquier situación de riesgo.

Cables de extensión

- ◆ Se puede utilizar un cable de 2 ó 3 núcleos puesto que el aparato tiene doble aislamiento y es de construcción clase II.
- ◆ Es posible utilizar hasta 30 m sin perder energía.

Características

Esta herramienta incluye una o más de las siguientes características.

1. Interruptor de encendido/apagado
2. Boquilla

Montaje

¡Atención! Antes de proceder al montaje, compruebe que la herramienta está apagada y desenchufada.

Montaje de un accesorio

Es posible obtener una gama selecta de accesorios a través de su proveedor local.

- **Boquilla cónica:** concentra la corriente de aire en un área más reducida.
- **Cola de pez:** extiende la corriente de aire en un área más amplia
- **Reflector tipo cuchara:** para soldar tuberías.
- **Protector de vidrios:** para la protección de los vidrios durante la remoción de pintura.
- **Raspador:** para eliminar y remover pintura y barniz.
- ◆ Instale la pieza de conexión del accesorio en la boquilla (2).

Uso

Encendido y apagado

- ◆ Para encender la herramienta a la velocidad de aire mínima con el calor mínimo, ajuste el interruptor de encendido/apagado en la posición I.
- ◆ Para encender la herramienta a la velocidad de aire máxima con el calor máximo, ajuste el interruptor de encendido/apagado en la posición II.
- ◆ Para apagar la herramienta, ajuste el interruptor de encendido/apagado en la posición O.

Uso de la herramienta

La herramienta incluye un termostato para su seguridad. El uso de la herramienta de manera continuada durante periodos de tiempo prolongados u otros ciclos de rendimiento elevado puede causar que esta se sobrecaliente y deje de funcionar. Por lo tanto, se recomienda que deje que la herramienta se enfríe a intervalos regulares cuando la utilice.

- ◆ Deje que la herramienta se caliente algunos segundos antes de utilizarla.
- ◆ Al principio, puede salir algo de humo por la boquilla. Es normal y disminuirá pronto.
- ◆ Use el ajuste de baja temperatura para secar pintura y barniz, eliminar etiquetas autoadhesivas, contraer tubos de aislamiento y descongelar cañerías congeladas.
- ◆ Use el ajuste de temperatura alta para remover pinturas y lacas, así como para soldar uniones de cañerías.
- ◆ Si no está seguro acerca del uso de esta herramienta en un material particular, comience con el ajuste de baja temperatura y haga una prueba en un material de desecho.

Utilización con manos libres (fig. A)

La herramienta dispone de lugares de soporte (3) para facilitar el uso con manos libres.

- ◆ Coloque la herramienta con la boquilla hacia arriba en una superficie en la que no se pueda volcar.
- ◆ Fije el cable para evitar que la herramienta se caiga del soporte.

¡Atención! Apunte siempre la herramienta hacia donde no está usted ni ninguna otra persona. No toque la boquilla. Tenga cuidado de que no caiga material dentro de la boquilla.

Remoción de pintura

- ◆ Dirija el aire caliente hacia el área de trabajo para calentar la pintura.
- ◆ No queme la pintura. Mantenga la boquilla a una distancia mínima de 25 mm de la superficie.
- ◆ Cuando la pintura se ablande, retírela con un raspador. Raspe la pintura ablandada inmediatamente, de lo contrario, se volverá a endurecer.
- ◆ Raspe en el sentido de la veta de la madera siempre que sea posible.

- ◆ No permita que se acumulen pintura y desechos en el raspador.
- ◆ Cuando raspe desde una posición vertical, hágalo hacia abajo, para evitar que la pintura caiga dentro de la boquilla.
- ◆ Cuando remueva pintura de una superficie cercana a un vidrio, tome las medidas necesarias para protegerlo contra el calor.

¡Atención! Utilice la boquilla con protector de vidrios cuando remueva pintura de ventanas con marco de metal o madera.

- ◆ Elimine todos los desechos de pintura de forma segura y compruebe que el área de trabajo queda totalmente limpia después de utilizar el aparato.

Enfriamiento

Durante la utilización, la boquilla de la herramienta se calienta extremadamente. Después de apagarla, deje que la herramienta se enfríe al menos durante 30 minutos.

- ◆ Coloque la herramienta con la boquilla hacia arriba en una superficie en la que no se pueda volcar.
- ◆ Para acortar el tiempo de enfriamiento, haga funcionar la herramienta a temperatura mínima durante algunos minutos antes de apagarla.

Mantenimiento

El aparato de Black & Decker se ha diseñado para que funcione durante un largo período de tiempo con un mantenimiento mínimo. El funcionamiento satisfactorio continuado depende de un cuidado apropiado y una limpieza periódica del aparato.

¡Atención! Antes de proceder con cualquier mantenimiento, apague y desenchufe el aparato, y permita que se enfríe.

- ◆ Limpie periódicamente las ranuras de ventilación del aparato con un cepillo suave o paño seco.
- ◆ Para limpiar el aparato, utilice únicamente un jabón suave y un paño húmedo. No utilice limpiadores de base abrasiva o disolventes. Evite que penetre líquido en el interior del aparato y nunca sumerja ninguna pieza de este en ningún tipo de líquido.

Sustitución del enchufe de la red eléctrica (sólo para el Reino Unido e Irlanda)

Si es necesario colocar un nuevo enchufe para la red eléctrica:

- ◆ Deseche el enchufe anterior según las normas de seguridad.
- ◆ Conecte el cable marrón al terminal conductor del nuevo enchufe.
- ◆ Conecte el cable azul al terminal neutro.

¡Atención! No se debe realizar ninguna conexión al terminal de conexión a tierra. Siga las instrucciones de montaje que se suministran con los enchufes de buena calidad. Fusible recomendado: 13 A.

Protección del medio ambiente



Recogida selectiva. No se debe desechar este producto con el resto de residuos domésticos.

Si llegase el momento en que fuese necesario sustituir su producto Black & Decker o si este dejase de tener utilidad para usted, no lo deseche junto con los residuos domésticos. Sepárelo para su recogida selectiva.



La recogida selectiva de productos y embalajes usados permite el reciclaje de materiales y su reutilización. La reutilización de materiales reciclados contribuye a evitar la contaminación medioambiental y reduce la demanda de materias primas.

Las normativas municipales deben ofrecer la recogida selectiva de productos eléctricos del hogar, en puntos municipales previstos para tal fin o a través del distribuidor cuando adquiera un nuevo producto.

Black & Decker proporciona facilidades para la recogida y reciclado de los productos Black & Decker que han llegado al final de su vida útil. Para poder utilizar este servicio, le rogamos que entregue el producto a cualquier agente de servicio técnico autorizado para que se haga cargo de él en nuestro nombre.

Para consultar la dirección del agente de servicio técnico más cercano, póngase en contacto con la oficina local de Black & Decker en la dirección que se indica en este manual. Como alternativa, puede consultar la lista de servicios técnicos autorizados de Black & Decker y obtener la información completa de nuestros servicios de posventa y contactos en la siguiente dirección de Internet: www.2helpU.com

Características técnicas

		KX1650 (Tipo 1)
Voltaje de entrada	V de CA	230
Construcción		Clase II
Potencia de entrada	W	1750
Gama de temperatura	°C	460 - 600
Peso	kg	0,6

Garantía

Black & Decker confía plenamente en la calidad de sus productos y ofrece una garantía extraordinaria. Esta declaración de garantía es un añadido, y en ningún caso un perjuicio para sus derechos legales. La garantía es válida dentro de los territorios de los Estados miembros de la Unión Europea y de los de la Zona Europea de Libre Comercio.

Si un producto Black & Decker resultara defectuoso debido a materiales o mano de obra defectuosos o a la falta de conformidad, Black & Decker garantiza, dentro de los 24 meses de la fecha de compra, la sustitución de las piezas defectuosas, la reparación de los productos sujetos a un desgaste y rotura razonables o la sustitución de tales productos para garantizar al cliente el mínimo de inconvenientes, a menos que:

- ◆ El producto se ha utilizado con propósitos comerciales, profesionales o de alquiler.
- ◆ El producto se ha sometido a un uso inadecuado o negligente.
- ◆ El producto ha sufrido daños causados por objetos o sustancias extrañas o accidentes.
- ◆ Se hayan realizado reparaciones por parte de personas que no sean del servicio técnico autorizado o personal de servicios de Black & Decker.

Para reclamar en garantía, será necesario que presente la prueba de compra al vendedor o al agente de servicio técnico autorizado. Puede consultar la dirección de su agente de servicio técnico más cercano si se pone en contacto con la oficina local de Black & Decker en la dirección que se indica en este manual. Como alternativa, puede consultar la lista de servicios técnicos autorizados de Black & Decker y obtener la información completa de nuestros servicios de posventa y contactos en la siguiente dirección de Internet: www.2helpU.com

Visite el sitio web www.blackanddecker.eu para registrar su nuevo producto Black & Decker y estar al día sobre productos y ofertas especiales. Encontrará información adicional sobre la marca Black & Decker y nuestra gama de productos en www.blackanddecker.es.

Utilização prevista

A pistola de calor Black & Decker foi concebida para várias aplicações de calor, tais como remoção tintas. Este produto destina-se apenas a utilização em interiores pelo consumidor.

Instruções de segurança

Avisos de segurança gerais para ferramentas eléctricas



Atenção! Leia com atenção todos os avisos de segurança e instruções. O não cumprimento dos seguintes avisos e instruções pode resultar em choque eléctrico, incêndio e/ou graves lesões.

Guarde todos os avisos e instruções para futura referência. A expressão "ferramenta eléctrica" utilizada a seguir refere-se a ferramentas eléctricas com ligação à corrente eléctrica (com cabo) ou com bateria (sem fios).

1. Segurança na área de trabalho

- a. **Mantenha a área de trabalho limpa e bem iluminada.** Áreas desarrumadas ou mal iluminadas são propícias a acidentes.
- b. **Não trabalhe com ferramentas eléctricas em áreas com risco de explosão, nas quais se encontrem líquidos, gases ou poeiras inflamáveis.** As ferramentas eléctricas produzem faíscas que podem provocar a ignição de poeiras ou vapores.
- c. **Mantenha crianças e outras pessoas afastadas durante a utilização da ferramenta eléctrica.** As distrações podem dar origem a que perca o controlo da ferramenta.

2. Segurança eléctrica

- a. **A ficha da ferramenta eléctrica deve caber na tomada. A ficha não deve ser modificada de modo algum. Não utilize quaisquer fichas adaptadoras em ferramentas eléctricas com ligação à terra.** Fichas sem modificações e tomadas adequadas reduzem o risco de choques eléctricos.
- b. **Evite que o corpo entre em contacto com superfícies ligadas à terra, como tubos, radiadores, fogões e frigoríficos.** Existe um maior risco de choque eléctrico se o seu corpo estiver ligado à terra.
- c. **As ferramentas eléctricas não podem ser expostas a chuva nem humidade.** A penetração de água na ferramenta eléctrica aumenta o risco de choques eléctricos.

- d. **Manuseie o cabo com cuidado.** O cabo não deve ser utilizado para transportar ou pendurar a ferramenta, **nem para puxar a ficha da tomada. Mantenha o cabo afastado de calor, óleo, pontas afiadas ou partes móveis.** Cabos danificados ou torcidos aumentam o risco de choques eléctricos.
- e. **Quando trabalhar com uma ferramenta eléctrica ao ar livre, utilize um cabo de extensão apropriado para esse fim.** A utilização de um cabo apropriado para áreas ao ar livre reduz o risco de choques eléctricos.
- f. **Se for inevitável trabalhar com uma ferramenta eléctrica num local húmido, utilize um Dispositivo de Corrente Residual (RCD).** A utilização de um RCD reduz o risco de choque eléctrico.

3. Segurança pessoal

- a. **Mantenha-se atento, observe o que está a fazer e seja prudente ao trabalhar com a ferramenta eléctrica.** Não utilize uma ferramenta eléctrica se estiver cansado ou sob a influência de drogas, álcool ou medicamentos. Um momento de falta de atenção durante a utilização de ferramentas eléctricas poderá causar graves lesões.
- b. **Utilize equipamento de protecção pessoal. Use sempre óculos de protecção.** Equipamento de protecção como, por exemplo, máscara anti-poeiras, sapatos de segurança anti-derrapantes, capacete de segurança ou protecção auricular, de acordo com o tipo e a aplicação de ferramenta eléctrica, reduz o risco de lesões.
- c. **Evite arranques involuntários. Certifique-se de que o botão está desligado antes de ligar a ferramenta à corrente eléctrica e/ou à bateria, e antes de pegar ou transportar a ferramenta.** Transportar ferramentas eléctricas com o dedo no botão ou ligar ferramentas eléctricas à tomada com o interruptor na posição de ligado pode dar origem a acidentes.
- d. **Retire eventuais chaves de ajuste ou chaves de fenda antes de ligar a ferramenta eléctrica.** Uma chave de fenda ou chave de ajuste que se encontre numa peça em rotação da ferramenta eléctrica poderá causar lesões.
- e. **Não se incline. Mantenha-se sempre bem posicionado e em equilíbrio.** Desta forma, será mais fácil controlar a ferramenta eléctrica em situações inesperadas.
- f. **Utilize vestuário adequado. Não utilize roupas largas nem jóias.** Mantenha o cabelo, roupa e luvas afastados de peças em movimento. Roupas largas, jóias ou cabelos longos podem ficar presos nas peças em movimento.
- g. **Se for prevista a montagem de dispositivos de extracção e recolha de pó, assegure-se de que estão ligados e que são utilizados de forma correcta.** A recolha das poeiras pode reduzir os riscos provocados por poeiras.

4. Utilização e manutenção da ferramenta eléctrica
 - a. **Não sobrecarregue a ferramenta eléctrica. Utilize a ferramenta eléctrica adequada para o trabalho pretendido.** A ferramenta eléctrica correcta realizará o trabalho de forma melhor e mais segura, com a potência com que foi concebida.
 - b. **Não utilize a ferramenta eléctrica se o interruptor não puder ser ligado nem desligado.** Qualquer ferramenta eléctrica que não possa ser controlada com o interruptor é perigosa e terá de ser reparada.
 - c. **Desligue a ficha da tomada e/ou a bateria da tomada antes de proceder a ajustes, trocar acessórios ou guardar ferramentas eléctricas.** Estas medidas de prevenção de segurança reduzem o risco de ligação inadvertida da ferramenta eléctrica.
 - d. **Mantenha as ferramentas eléctricas que não estiverem a ser utilizadas fora do alcance de crianças. Não permita que a ferramenta eléctrica seja utilizada por pessoas não familiarizadas com a mesma ou que não tenham lido estas instruções.** As ferramentas eléctricas são perigosas se utilizadas por pessoas não qualificadas.
 - e. Efectue a manutenção das ferramentas eléctricas. **Verifique se as partes móveis estão desalinhasadas ou bloqueadas, se existem peças partidas ou qualquer outra situação que possa afectar o funcionamento das ferramentas eléctricas. As peças danificadas devem ser reparadas antes da utilização da ferramenta eléctrica.** Muitos acidentes têm como causa uma manutenção insuficiente das ferramentas eléctricas.
 - f. **Mantenha as ferramentas de corte sempre afiadas e limpas.** As ferramentas de corte com a manutenção adequada e as extremidades afiadas bloqueiam com menos frequência e são mais fáceis de controlar.
 - g. **Utilize a ferramenta eléctrica, acessórios e peças de ferramenta de acordo com estas instruções, considerando as condições de trabalho e a tarefa a ser executada.** A utilização da ferramenta eléctrica para fins diferentes dos previstos pode resultar em situações perigosas.
5. Reparação
 - a. **A sua ferramenta eléctrica só deverá ser reparada por pessoal qualificado, utilizando apenas peças sobressalentes originais.** Isso garante a manutenção da segurança da ferramenta eléctrica.

Avisos de segurança adicionais para ferramentas eléctricas



Atenção! Instruções de segurança adicionais para pistolas de calor.

Advertência: Não utilize no exterior. Apenas para utilização em interiores.

Advertência: Este aparelho deve ser colocado no respectivo suporte quando não estiver a ser utilizado.

Advertência: Se o aparelho não for manuseado com cuidado, poderá ocorrer um incêndio. Seja cuidadoso ao utilizá-lo em locais onde existam materiais combustíveis.

- ◆ Não aplique calor no mesmo local durante um longo período de tempo.
- ◆ Não utilize o aparelho em áreas com risco de explosão.
- ◆ Lembre-se de que o calor poder ser conduzido até junto de materiais combustíveis que não se encontrem visíveis.
- ◆ Antes de proceder ao armazenamento, coloque o aparelho no respectivo suporte e deixe-o arrefecer.
- ◆ Não deixe o aparelho sem vigilância quando este se encontrar ligado.
- ◆ Não obstrua as ranhuras de admissão de ar nem a saída do bocal, uma vez que poderá originar calor excessivo, danificando o aparelho.
- ◆ Não aponte o fluxo de ar quente na direcção de outras pessoas ou animais.
- ◆ Não toque no bocal, uma vez que este aquece muito durante a utilização e permanece quente até 30 minutos após ter sido utilizado.
- ◆ Não coloque o bocal em contacto com outro objecto durante ou logo após a utilização.
- ◆ Não introduza nada no bocal, visto que poderá provocar um choque eléctrico.
- ◆ Não espereite para dentro do bocal enquanto o aparelho está ligado.
- ◆ Não utilize este aparelho como secador de cabelo! A temperatura do ar é muito mais elevada do que a de um secador de cabelo.
- ◆ **Certifique-se de que durante a utilização existe uma ventilação adequada uma vez que podem ser produzidos fumos tóxicos.**
- ◆ Não utilize o aparelho num ambiente húmido.
- ◆ Ao remover pinturas, certifique-se de que a área de trabalho está circunscrita. Utilize uma máscara de protecção contra poeiras especificamente concebida para protecção contra poeiras e vapores de pinturas com chumbo e certifique-se de que as pessoas perto da área de trabalho também estão protegidas.
- ◆ Não queime tinta, uma vez que poderá provocar um incêndio.
- ◆ Não deixe que se aloje tinta no bocal: esta poderá inflamar-se após algum tempo.
- ◆ Antes de colocar qualquer acessório desligue o aparelho e deixe-o arrefecer.

Remover tinta à base de chumbo

- ◆ Deve ter um cuidado extremo ao efectuar a remoção de tinta. As lascas, os resíduos e os vapores da tinta podem conter chumbo, que é um material tóxico. As construções anteriores a 1960 podem ter sido pintadas com tinta contendo chumbo. Esta tinta pode estar por baixo de outras camadas de tinta. Uma vez à superfície, o contacto da mão com a boca pode resultar na ingestão de chumbo.
- ◆ A exposição a níveis baixos de chumbo pode causar danos irreversíveis no cérebro e sistema nervoso. A intoxicação por chumbo é extremamente perigosa para crianças e para mulheres grávidas.
- ◆ Antes de começar a trabalhar, é importante saber se a tinta que vai remover contém chumbo. Esta verificação pode ser efectuada através de um kit de teste ou por um decorador profissional. Não fume, coma ou beba na área de trabalho, pois há risco de contaminação por chumbo. As tintas à base de chumbo devem ser removidas apenas por um profissional e sem recurso a uma pistola de calor.

Segurança de terceiros

- ◆ Este aparelho não deve ser utilizado por pessoas (incluindo crianças) que apresentem capacidades físicas, sensoriais ou mentais reduzidas ou que não possuam os conhecimentos e a experiência necessários, excepto se forem vigiadas e instruídas acerca da utilização do aparelho por uma pessoa responsável pela sua segurança.
- ◆ As crianças deverão ser vigiadas para que não mexam no aparelho.

Riscos residuais.

Podem surgir riscos residuais adicionais durante a utilização da ferramenta que poderão não constar nos avisos de segurança incluídos. Estes riscos podem resultar de má utilização, uso prolongado, etc.

Mesmo com a aplicação dos regulamentos de segurança relevantes e com a implementação de dispositivos de segurança, alguns riscos residuais não podem ser evitados. Incluem:

- ◆ ferimentos causados pelo contacto com peças em rotação/movimento.
- ◆ ferimentos causados durante a troca de peças, lâminas ou acessórios.
- ◆ ferimentos causados pela utilização prolongada de uma ferramenta. Quando utilizar uma ferramenta por períodos prolongados, faça intervalos regulares.
- ◆ diminuição da audição.
- ◆ problemas de saúde causados pela inalação de poeiras resultantes da utilização da ferramenta (exemplo: trabalhos em madeira, especialmente carvalho, faia e MDF.)

Rótulos na ferramenta

A ferramenta apresenta os seguintes pictogramas:



Atenção! Para reduzir o risco de ferimentos, o utilizador deve ler o manual de instruções.

Segurança eléctrica



Esta ferramenta tem um isolamento duplo e, por isso, não é necessário um fio de terra. Verifique sempre se a fonte de alimentação corresponde à tensão indicada na placa de especificações.

- ◆ Se o cabo de alimentação estiver danificado, terá de ser substituído pelo fabricante ou por um centro de assistência autorizado Black & Decker para evitar acidentes.

Extensões eléctricas

- ◆ Pode ser utilizado um cabo de 2 ou 3 condutores dado que o aparelho tem isolamento duplo e pertence à classe II.
- ◆ Podem ser utilizados até 30 m de cabo sem perda de potência.

Características

Esta ferramenta inclui algumas ou todas as seguintes características.

1. Interruptor para ligar/desligar
2. Bocal

Montagem

Atenção! Antes da montagem, certifique-se de que a ferramenta está desligada e que não está ligada à corrente eléctrica.

Montagem de acessórios

Poderá obter um conjunto de acessórios seleccionados junto do seu revendedor local.

- **Bocal cónico:** Concentra o fluxo de ar numa área mais restrita.
- **Cauda de peixe:** Espalha o fluxo de ar por uma área mais vasta
- **Bocal reflector:** Para soldagem de tubos.
- **Protector de vidro:** Para proteger vidro durante a remoção de tinta.
- **Raspador:** Para remover tinta e verniz.
- ◆ Encaixe a peça de ligação do acessório sobre o bocal (2).

Utilização

Ligar e desligar

- ◆ Para ligar a ferramenta na velocidade de ar lenta e baixo nível de calor, coloque o interruptor ligar/desligar na posição I.
- ◆ Para ligar a ferramenta na velocidade de ar rápida e alto nível de calor, coloque o interruptor ligar/desligar na posição II.
- ◆ Para desligar a ferramenta, coloque o interruptor ligar/desligar na posição O.

Utilização da ferramenta

Para sua segurança, a ferramenta encontra-se equipada com um termostato. A utilização contínua da ferramenta durante longos períodos de tempo ou noutros ciclos de funcionamento severos poderá provocar o sobreaquecimento e avaria da mesma. Recomenda-se por isso que permita o arrefecimento da ferramenta a intervalos regulares durante a utilização.

- ◆ Antes da utilização da ferramenta, aguarde alguns segundos para permitir o seu aquecimento.
- ◆ Na primeira utilização pode ser emitido algum fumo através do bocal. Trata-se de uma situação normal que diminuirá pouco depois.
- ◆ Utilize uma definição de temperatura baixa para secar tinta e verniz, remover rótulos, encolher canos de isolamento e descongelar tubos congelados.
- ◆ Utilize uma definição de temperatura elevada para remover tintas e vernizes e soldar juntas de tubagens.
- ◆ Se tiver dúvidas acerca da utilização desta ferramenta num material específico, inicie o trabalho com uma definição de temperatura baixa e efectue um teste num fragmento do material.

Utilização sem mãos (fig. A)

A ferramenta possui bases (3) para facilitar a utilização sem mãos.

- ◆ Coloque a ferramenta com o bocal para cima, numa superfície onde não possa ser derrubada.
- ◆ Proteja o cabo para impedir que puxe a ferramenta para fora da base.

Atenção! Nunca direcione a ferramenta para si ou para outras pessoas. Não toque no bocal. Tenha cuidado para que não caia qualquer material no mesmo.

Remoção de tinta

- ◆ Direcione o ar quente para a área de trabalho para aquecer a tinta.
- ◆ Não queime a tinta. Mantenha o bocal a pelo menos 25 mm da superfície.
- ◆ Quando a tinta amolecer, remova-a utilizando uma raspadeira. Raspe imediatamente a tinta ou esta endurecerá novamente.
- ◆ Sempre que possível, raspe a tinta no sentido dos veios da madeira.

- ◆ Não permita a acumulação de tinta e detritos na raspadeira.
- ◆ Quando estiver a raspar numa posição vertical, raspe para baixo de forma a evitar que a tinta caia no bocal.
- ◆ Quando estiver a remover tinta de uma superfície junto a um vidro, tome as medidas necessárias para proteger o vidro do calor.

Atenção! Utilize um bocal de protecção do vidro quando remover tinta de janelas emolduradas em metal ou madeira.

- ◆ Elimine de forma segura todos os detritos da tinta e certifique-se de que a área de trabalho está perfeitamente limpa após a utilização.

Arrefecimento

Durante a utilização, o bocal da ferramenta fica extremamente quente. Após desligar a ferramenta, deixe-a arrefecer durante pelo menos 30 minutos.

- ◆ Coloque a ferramenta com o bocal para cima, numa superfície onde não possa ser derrubada.
- ◆ Para acelerar o arrefecimento, antes de desligar a ferramenta deixe-a a funcionar na definição de temperatura mínima durante alguns minutos.

Manutenção

O seu aparelho Black & Decker foi concebido para funcionar por um longo período de tempo com um mínimo de manutenção. Um funcionamento contínuo e satisfatório depende de uma manutenção adequada e da limpeza regular do aparelho.

Atenção! Desligue o aparelho, retire-o da ficha e deixe-o arrefecer antes de efectuar qualquer tipo de manutenção.

- ◆ Limpe regularmente as ranhuras de ventilação do aparelho com uma escova suave ou um pano seco.
- ◆ Para limpar o aparelho, utilize apenas sabão neutro e um pano húmido. Não utilize nenhum produto de limpeza abrasivo ou à base de solvente. Nunca deixe entrar líquidos no aparelho e nunca submerja nenhuma parte do aparelho em líquidos.

Substituição da ficha de alimentação (apenas Reino Unido e Irlanda)

Se for necessário montar uma nova ficha de alimentação:

- ◆ Elimine com segurança a ficha antiga.
- ◆ Ligue o cabo castanho ao terminal activo na nova ficha.
- ◆ Ligue o cabo azul ao terminal neutro.

Atenção! Não é necessário efectuar qualquer ligação ao terminal de terra. Siga as instruções de montagem fornecidas com fichas de boa qualidade. Fusível recomendado: 13 A.

Protecção do ambiente



Recolha separada. Este produto não pode ser eliminado juntamente com os resíduos domésticos normais.

Se, em algum momento, for necessário substituir este produto Black & Decker ou se este deixar de ter utilidade, não elimine o produto num caixote do lixo. Este produto pode ser separado para reciclagem.



A recolha separada de produtos e embalagens usados permite que os materiais sejam reciclados e reutilizados. A reutilização de materiais reciclados ajuda a evitar a poluição ambiental e reduz a procura de matérias-primas.

A legislação local poderá prever a recolha separada de produtos domésticos eléctricos, seja em lixeiras municipais ou através do revendedor quando adquire um produto novo.

A Black & Decker dispõe de instalações para recolha e reciclagem de produtos Black & Decker quando estes atingem o fim da vida útil. Para usufruir deste serviço, devolva o produto em qualquer agente de reparação autorizado, que os recolherá em seu nome.

Pode verificar a localização do agente de reparação autorizado mais perto de si, contactando os escritórios locais da Black & Decker através do endereço indicado neste manual. Se preferir, está disponível na Internet uma lista de agentes de reparação autorizados Black & Decker, com os contactos e detalhes completos do serviço pós-venda, no endereço: www.2helpU.com

Dados técnicos

		KX1650 (Tipo 1)
Tensão de entrada	V_{ca}	230
Fabrico		Classe II
Potência utilizada	W	1750
Amplitude da temperatura	$^{\circ}C$	460 - 600
Peso	kg	0.6

Garantia

A Black & Decker confia na qualidade dos seus produtos e oferece uma garantia excelente. Esta declaração de garantia é um complemento dos seus direitos estabelecidos por lei, não os prejudicando de forma alguma. A garantia é válida nos territórios dos Estados Membros da União Europeia e da Associação Europeia de Comércio Livre.

Se um produto Black & Decker avariar devido a defeitos de material, fabrico ou não conformidade, num período de 24 meses após a data da compra, a Black & Decker garante a substituição das peças defeituosas, a reparação de produtos sujeitos a um desgaste aceitável ou a substituição dos mesmos para garantir o mínimo de inconvenientes ao cliente, excepto se:

- ◆ O produto tiver sido utilizado para fins comerciais, profissionais ou de aluguer.
- ◆ O produto tiver sido submetido a utilização indevida ou descuido;
- ◆ O produto tiver sido danificado por objectos estranhos, substâncias ou acidentes;
- ◆ Tiverem sido tentadas reparações por pessoas que não sejam agentes de reparação autorizados ou técnicos de manutenção da Black & Decker.

Para accionar a garantia, terá de apresentar comprovativos de compra ao vendedor ou a um agente de reparação autorizado. Pode verificar a localização do agente de reparação autorizado mais perto de si, contactando os escritórios locais da Black & Decker através do endereço indicado neste manual. Se preferir, está disponível na Internet uma lista de agentes de reparação autorizados Black & Decker, com os contactos e detalhes completos do serviço pós-venda, no endereço: www.2helpU.com

Visite o nosso website www.blackanddecker.pt para registar o novo produto Black & Decker e manter-se atualizado relativamente a novos produtos e ofertas especiais. Pode encontrar mais informações sobre a marca Black & Decker e sobre a nossa gama de produtos em www.blackanddecker.pt

Användningsområde

Din varmluftspistol från Black & Decker är avsedd för olika värmebehandlande tillämpningar, bl.a. färgborttagning. Produkten är endast avsedd för konsumentanvändning och användning inomhus.

Säkerhetsanvisningar

Allmänna säkerhetsanvisningar för elverktyg



Varning! Läs alla säkerhetsföreskrifter och alla anvisningar. Fel som uppstår till följd av att säkerhetsföreskrifterna och anvisningarna nedan inte följts kan orsaka elstöt, brand och/eller allvarliga kroppsskador.

Spara alla säkerhetsföreskrifter och anvisningar för framtida bruk. Begreppet "elverktyg" nedan syftar på nätdrivna elverktyg (med nätsladd) och batteridrivna elverktyg (sladdlösa).

1. Säkerhet i arbetsområdet
 - a. Håll arbetsplatsen ren och väl upplyst. Oreda eller dålig belysning på arbetsplatsen kan leda till olyckor.
 - b. För att undvika explosionsrisk bör du inte använda elverktyget i omgivningar med brännbara vätskor, gaser eller damm. Elverktyg alstrar gnistor som kan antända dammet eller gaserna.
 - c. Håll barn och andra personer på betryggande avstånd när du använder elverktyg. Om du blir distraherad kan du förlora kontrollen.
2. Elsäkerhet
 - a. Elverktygets stickkontakt måste passa i eluttaget. Stickkontakten får absolut inte ändras. Använd inte adapterkontakter tillsammans med jordade elverktyg. Med oförändrade stickkontakter och passande vägguttag minskas risken för elstöt.
 - b. Undvik kroppskontakt med jordade ytor som t.ex. rör, värmeelement, spisar och kylskåp. Risken för elektriska stötter ökar om din kropp är jordad.
 - c. Skydda elverktyget mot regn och väta. Om vatten tränger in i ett elverktyg ökar risken för elektriska stötter.
 - d. Hantera inte nätsladden ovarsamt. Använd inte sladden för att bära eller dra elverktyget och inte heller för att dra ut kontakten ur vägguttaget. Håll nätsladden borta från värme, olja, skarpa kanter och rörliga maskindelar. Risken att du får en elstöt är större om sladdarna är skadade eller tillrasslade.
3. Personlig säkerhet
 - a. Var uppmärksam, se på vad du gör och använd elverktyget med förnuft. Använd inte elverktyget när du är trött eller om du är påverkad av droger, alkohol eller mediciner. Vid användning av elverktyg kan även en kort tids uppmärksamhet leda till allvarliga kroppsskador.
 - b. Använd skyddsutrustning. Bär alltid skyddsglasögon. Den personliga skyddsutrustningen, t.ex. dammfiltermask, halkfria säkerhetsskor, hjälm och hörselskydd, minskar risken för kroppsskada när den används vid rätt tillfällen.
 - c. Undvik oavsiktlig igångsättning. Kontrollera att strömbrytaren står i avstängt läge innan du ansluter verktyget till elnätet eller sätter i batteriet, samt innan du tar upp eller bär verktyget. Det kan vara mycket farligt att bära ett elverktyg med fingret på strömbrytaren eller koppla det till nätet respektive sätta i batteriet med strömbrytaren i till-läge.
 - d. Ta bort alla inställningsverktyg och skruvnycklar innan du startar elverktyget. Ett verktyg eller en nyckel i en roterande komponent kan orsaka kroppsskada.
 - e. Sträck dig inte för långt. Se till att du alltid har säkert fötäste och balans. Därmed har du bättre kontroll över elverktyget i oväntade situationer.
 - f. Bär lämpliga kläder. Bär inte löst hängande kläder eller smycken. Håll undan hår, kläder och handskar från rörliga delar. Löst hängande kläder, smycken och långt hår kan fastna i roterande delar.
 - g. Om elverktyget har utrustning för dammsugning och -uppsamling ska du kontrollera att utrustningen är rätt monterad och används på korrekt sätt. Utrustningen kan minska riskerna när damm bildas.
4. Bruk och skötsel av elverktyg
 - a. Överbelasta inte elverktyget. Använd rätt elverktyg för det aktuella arbetet. Med rätt elverktyg kan du arbeta bättre och säkrare med det som verktyget är avsett för.
 - b. Använd inte elverktyget om det inte går att starta och stänga av det med strömbrytaren. Ett elverktyg som inte kan startas och stängas av med strömbrytaren är farligt och måste repareras.
 - c. Dra ut stickproppen ur vägguttaget och/eller ta ut batteriet ur elverktyget innan inställningar utförs, tillbehör byts eller elverktyget ställs undan. Denna säkerhetsåtgärd förhindrar oavsiktlig start av elverktyget.
- e. Använd endast förlängningssladdar som är godkända för utomhusbruk när du arbetar med elverktyg utomhus. Om du använder en förlängningssladd som är avsedd för utomhusbruk minskar risken för att du ska få en elstöt.
- f. Om du måste använda ett elverktyg på en fuktig plats ska du använda jordfelsbrytare. Jordfelsbrytaren minskar risken för stötter.

- d. Förvara elverktyg utom räckhåll för barn. Låt inte elverktyget användas av personer som inte är vana vid det, eller som inte läst denna bruksanvisning. Elverktyg är farliga om de används av ovana personer.
- e. Sköt elverktyget omsorgsfullt. Kontrollera att rörliga komponenter fungerar felfritt och inte kärvar, att komponenter inte gått sönder eller skadats och inget annat föreligger som kan påverka elverktygets funktion. Om elverktyget är skadat ska du se till att få det reparerat innan det används. Många olyckor orsakas av dåligt skötta elverktyg.
- f. Håll skärverktyg vassa och rena. Omsorgsfullt skötta skärverktyg med skarp egg fastnar inte så lätt och är lättare att hantera.
- g. Använd elverktyget, tillbehör, bits m.m. enligt dessa anvisningar och ta hänsyn till arbetsvillkoren och arbetsmomenten. Om elverktyget används på icke ändamålsenligt sätt kan farliga situationer uppstå.

5. Service

- a. Elverktyget ska bara repareras av utbildade reparatörer och med originalreservdelar. Detta säkerställer att elverktyget förblir säkert att använda.

Ytterligare säkerhetsanvisningar för elverktyg



Varning! Ytterligare säkerhetsföreskrifter för varmluftspistoler.

Varning! Apparaten är endast avsedd för inomhusbruk.

Varning! Apparaten ska placeras på sitt stativ när den inte används.

Varning! Ovarsam hantering av apparaten kan leda till eldsvåda. Var därför försiktig när du använder apparaten på platser där det finns lättantändliga material.

- ◆ Rikta inte värmen mot samma ställe under lång tid.
- ◆ Använd inte apparaten på platser där explosionsrisk förekommer.
- ◆ Tänk på att värmen kan ledas vidare till lättantändliga material som inte är omedelbart synliga.
- ◆ Efter användning ska du placera apparaten på dess stativ och låta den svalna innan den ställs undan.
- ◆ Apparaten ska alltid hållas under uppsikt när den är påslaget.
- ◆ Tapp inte igen luftintagen eller munstycket, eftersom detta kan leda till att verktyget överhettas och därigenom skadas.
- ◆ Rikta inte den varma luftströmmen mot människor eller djur.
- ◆ Rör inte munstycket. Det blir mycket varmt vid användning och förblir varmt i upp till 30 minuter efter det att verktyget stängts av.

- ◆ Låt inte munstycket komma i kontakt med något föremål under eller omedelbart efter användning.
- ◆ För inte in något föremål i munstycket; du kan få en elektrisk stöt.
- ◆ Titta inte in i munstycket medan verktyget är påslaget.
- ◆ Använd inte verktyget som hårtork! Den utströmmande luften är mycket varmare än hos en hårtork.
- ◆ Sörj för god ventilation under användning eftersom giftiga gaser kan bildas.
- ◆ Använd inte verktyget i en fuktig eller våt omgivning.
- ◆ När du tar bort färg ska du se till att arbetsområdet är avspärrat. Använd en specialkonstruerad ansiktsmask som skyddar mot blyhaltigt damm eller ångor och se till att personer som vistas på, eller kommer i närheten av arbetsplatsen också är skyddade.
- ◆ Bränn inte färger, eftersom detta medför risk för eldsvåda.
- ◆ Låt inte färg fastna på munstycket, eftersom den kan antändas efter en stund.
- ◆ Innan tillbehör monteras måste verktyget stängas av och svalna.

Ta bort blybaserad färg

- ◆ Yttersta försiktighet ska iakttas vid färgborttagning. Färgflagor, färgrester och gaser från färgen kan innehålla bly, som är giftigt. Alla byggnader från 1960 och tidigare kan ha målats med färg som innehåller bly. Denna färg kan senare ha täckts över med ytterligare färglager. Man kan få i sig bly som strukits på en yta om man tar på ytan med händerna och sedan låter händerna komma i kontakt med munnen.
- ◆ Om man utsätts för bly, även i små mängder, kan man få allvariga och oläskbara skador på hjärnan och nervsystemet. Barn och gravida kvinnor löper störst risk att råka ut för blyförgiftning.
- ◆ Innan du påbörjar arbetet är det viktigt att du tar reda på om färgen som ska tas bort innehåller bly. Detta kan göras med en testutrustning eller av en fackman. Avstå från att äta, dricka och röka på en arbetsplats som kan vara förorenad av bly. Blybaserade färger bör endast tas bort av fackmän, och de bör inte tas bort med hjälp av varmluftspistol.

Säkerhet för andra

- ◆ Verktyget ska inte användas av personer (inklusive barn) med nedsatt fysisk eller psykisk förmåga eller bristande erfarenhet och kunskap, om de inte får vägledning och övervakas av en person som ansvarar för deras säkerhet.
- ◆ Barn ska hållas under uppsikt så att de inte leker med verktyget.

Övriga risker.

Ytterligare risker som inte finns med i de bifogade säkerhetsföreskrifterna kan uppstå när verktyget används. Dessa risker kan uppstå vid felaktig eller långvarig användning, etc. Även om alla relevanta säkerhetsföreskrifter följs och säkerhetsanordningar används kan vissa ytterligare risker inte undvikas. Dessa innefattar:

- ◆ Skador orsakade av att roterande/rörliga delar vidrörs.
- ◆ Skador som uppstår vid byte av delar, blad eller tillbehör.
- ◆ Skador som orsakas av långvarig användning av ett verktyg. Se till att ta regelbundna raster när du använder ett verktyg under en längre period.
- ◆ Skador på hörseln.
- ◆ Hälsorisker orsakade av inandning av damm när verktyget används (exempel: arbete med trä, särskilt ek, bok och MDF).

Etiketter på verktyget

Följande symboler finns på redskapet:



Varning! Läs bruksanvisningen före användning för att minska risken för olyckor.

Elsäkerhet



Eftersom verktyget är dubbelisolerat behövs ingen jordledare. Kontrollera alltid att nätspänningen överensstämmer med värdet på typskylten.

- ◆ Om nätsladden är skadad måste den bytas ut av tillverkaren eller en auktoriserad Black & Decker-verkstad för att undvika fara.

Förlängningskablar

- ◆ Eftersom verktyget är skyddsjordat och konstruerat enligt klass II kan en två- eller tretrådig kabel användas.
- ◆ Kabeln kan vara upp till 30 m lång utan att effekten försämras.

Funktioner

Detta verktyg har några eller samtliga av följande funktioner.

1. Strömbrytare
2. Munstycke

Montering

Varning! Se till att verktyget är avstängt samt att det inte är anslutet innan monteringen börjar.

Montera tillbehör

Ett urval av olika tillbehör hittar du hos din återförsäljare.

- **Konmunstycke:** Koncentrerar luftströmmen till ett mindre område.

- **Munstycke med flat stråle:** Sprider luftströmmen över ett större område
- **Reflektormunstycke:** För lödning av rör.
- **Glasskyddsmunstycke:** För att skydda glas under färgborttagningen.
- **Skrapa:** För borttagning av färg och lack.
- ◆ Placera den anslutande delen av tillbehöret över munstycket (2).

Användning

Slå på och av

- ◆ För att starta verktyget på låg lufthastighet, låg värme, vrid strömbrytaren till position I.
- ◆ För att starta verktyget på hög lufthastighet, hög värme, vrid strömbrytaren till position II.
- ◆ För att stänga av verktyget vrider du strömbrytaren till position O.

Använda verktyget

Verktyget är av säkerhetsskäl utrustat med termostat. Om verktyget används utan avbrott under långa perioder eller utsätts för andra tunga arbetscykler kan verktyget överhettas och sluta att fungera. Vi rekommenderar därför att låta verktyget svalna med jämna mellanrum under arbetets gång.

- ◆ Låt verktyget bli varmt under några sekunder innan du börjar använda det.
- ◆ Första gången du använder det kan lite rök komma från munstycket. Detta är normalt och avtar snart.
- ◆ Använd låg temperatur för torkning av färg och lack, borttagning av klistermärken, krympning av isoleringsrör och upptining av frusna rör.
- ◆ Använd hög temperatur för borttagning av färg och lack samt för att löda rörledningskarvar.
- ◆ Om du är osäker på vilken arbetstemperatur du ska välja för ett särskilt material ska du börja med att ställa in en låg temperatur och testa på spillmaterial.

Använda verktyget fristående (fig. A)

Verktyget har stativ (3) för att underlätta fristående användning.

- ◆ Placera verktyget med munstycket uppåt på en yta där det inte kan välta.
- ◆ Säkra kabeln, så att verktyget inte kan vältras om någon skulle komma åt kabeln.

Varning! Rikta alltid verktyget bort från dig själv och från andra. Vidrör inte munstycket. Var noga med att inte låta droppar från materialet hamna i munstycket.

Färgborttagning

- ◆ Rikta den varma luftströmmen mot arbetsytan för att värma upp färgen.

- ◆ Bränn inte färgen. Håll munstycket minst 25 mm från ytan.
- ◆ När färgen mjuknar tar du bort färgen med en skrapa. Skrapa bort den mjuka färgen omedelbart, annars blir den hård igen.
- ◆ Om det är möjligt ska du alltid skrapa i virkets fiberriktning.
- ◆ Låt inte färg och skrap samlas på skrapan.
- ◆ När du skrapar från en vertikal position ska du skrapa nedåt, så att färg inte faller in i munstycket.
- ◆ När du tar bort färg från en yta som gränsar till glas ska du vara noga med att skydda glaset från värmen.

Varning! Använd ett glasskyddsmunstycke när du tar bort färg från fönster med metall- eller träkarmer.

- ◆ Släng alla färgrester på ett säkert sätt och se till att arbetsområdet är helt rent efter arbetet.

Avsvalning

Under användningen blir munstycket på varmluftpistolen extremt varmt. Låt apparaten svalna i minst 30 minuter efter att den stängts av.

- ◆ Placera verktyget med munstycket uppåt på en yta där det inte kan välta.
- ◆ Du kan påskynda avsvalningen genom att köra verktyget på den lägsta temperaturen under några minuter innan du stänger av det.

Underhåll

Denna Black & Decker-apparat är konstruerad för att fungera under lång tid med ett minimum av underhåll. Med rätt underhåll och regelbunden rengöring kommer den att fungera på ett tillfredsställande sätt.

Varning! Innan något underhåll utförs måste apparaten stängas av och sladden dras ur vägguttaget. Dessutom måste apparaten svalna.

- ◆ Rengör regelbundet apparatens luftintag med en mjuk borste eller torr trasa.
- ◆ Använd bara mild tvål och en fuktig trasa för att rengöra apparaten. Använd aldrig rengöringsmedel med lösnings- eller slipmedel. Låt aldrig någon vätska komma in i apparaten och doppa den aldrig i någon vätska.

Byte av nätkontakt (endast Storbritannien och Irland)

Byt kontakten på följande sätt:

- ◆ Gör dig av med den gamla kontakten på lämpligt sätt.
- ◆ Anslut den bruna ledningen till den strömförande anslutningen i den nya kontakten.
- ◆ Anslut den blå ledningen till den icke strömförande anslutningen.

Varning! Anslut inte till jordanslutningen. Följ monteringsanvisningarna som medföljer kontakter av god kvalitet. Rekommenderad säkring: 13 A.

Miljö



Separat insamling. Produkten får inte kastas i hushållssoptorna.

Tänk på miljön när du slänger denna Black & Decker-produkt. Släng den inte tillsammans med hushållsavfallet. Lämnna produkten för separat insamling.



Insamling av uttjänta produkter och förpackningsmaterial gör att material kan återanvändas. Användning av återvunnet material minskar föroreningar av miljön och behovet av råmaterial.

Lokala föreskrifter kan kräva separat insamling av elprodukter från hushållen, vid kommunala insamlingsplatser eller hos återförsäljaren när du köper en ny produkt.

Black & Decker samlar in och återvinner uttjänta Black & Decker-produkter. Om du vill utnyttja denna tjänst återlämnar du produkten till en auktoriserad verkstad, som samlar in den för vår räkning.

För information om närmaste auktoriserade verkstad, kontakta det lokala Black & Decker-kontoret på den adress som är angiven i bruksanvisningen. En lista över alla auktoriserade Black & Decker-verkstäder samt servicevillkor finns på Internet: www.2helpU.com

Tekniska data

		KX1650 (Typ 1)
Inspänning	V _{ac}	230
Konstruktion		Klass II
Ineffekt	W	1750
Temperaturomfång	°C	460 - 600
Vikt	kg	0,6

Garanti

Black & Decker garanterar att produkten är fri från material- och/eller fabrikationsfel vid leverans till kund. Garantin gäller utöver konsumentens rättigheter enligt lag och påverkar inte dessa. Garantin gäller inom medlemsstaterna i Europeiska Unionen och i det Europeiska Frihandelsområdet.

Om en Black & Decker-produkt går sönder på grund av material- och/eller fabrikationsfel eller brister i överensstämmelse med specifikationen, inom 24 månader från köpet, åtar sig Black & Decker att reparera eller byta ut produkten med minsta besvär för kunden, förutom om:

- ◆ Produkten har använts i kommersiellt eller yrkesmässigt syfte eller i uthyrningssyfte.
- ◆ Produkten har utsatts för felaktig användning eller skötsel.
- ◆ Produkten har skadats av främmande föremål, ämnen eller genom olyckshändelse.
- ◆ Reparation har utförts av någon annan än en auktoriserad Black & Decker-verkstad.

Vid garantianspråk ska produkten och inköpskvittot lämnas till återförsäljaren eller till en auktoriserad verkstad. För information om närmaste auktoriserade verkstad, kontakta det lokala Black & Decker-kontoret på den adress som är angiven i bruksanvisningen. En lista över alla auktoriserade Black & Decker-verkstäder samt servicevillkor finns på Internet: www.2helpU.com

Besök vår webbplats www.blackanddecker.se för att registrera din nya Black & Decker-produkt samt för att erhålla information om nya produkter och specialerbjudanden. Vidare information om märket Black & Decker och vårt produktsortiment återfinns på www.blackanddecker.se

Bruksområde

Denne varmluftpistolen fra Black & Decker er konstruert for ulike oppvarmingsanvendelser, for eksempel malingsfjerning. Produktet er beregnet som konsumentverktøy og bare for innendørs bruk.

Sikkerhetsinstruksjoner

Generelle sikkerhetsadvarsler for elektroverktøy



Advarsel! Les alle sikkerhetsadvarsler og alle instruksjoner. Hvis advarslene og anvisningene nedenfor ikke overholdes, kan det medføre elektrisk støt, brann og/eller alvorlige personskader.

Ta vare på alle advarsler og instruksjoner for fremtidig bruk. Begrepet "elektroverktøy" i advarslene nedenfor gjelder nettdrevet elektroverktøy (med ledning) eller batteridrevet elektroverktøy (uten ledning).

1. Sikkerhet i arbeidsområdet

- Hold arbeidsområdet rent og godt opplyst. Rotete eller mørke områder fører lett til ulykker.
- Ikke arbeid med elektroverktøy i eksplosjonsfarlige omgivelser – der det finnes seg brennbare væsker, gass eller støv. Elektroverktøy forårsaker gnister som kan antenne støv eller gass/damp.
- Hold barn og andre personer unna når du bruker et elektroverktøy. Hvis du blir forstyrret under arbeidet, kan du miste kontrollen.

2. Elektrisk sikkerhet

- Støpselet til elektroverktøy må passe i stikkkontakten. Støpselet må ikke forandres på noen som helst måte. Ikke bruk adapterstøpsler sammen med jordede elektroverktøy. Bruk av originale støpsler og passende stikkontakter reduserer risikoen for elektrisk støt.
- Unngå kroppskontakt med jordede overflater som rør, radiatorer, komfyrer og kjøleskap. Det er større fare for elektrisk støt dersom kroppen din er jordet.
- Hold elektroverktøy unna regn eller fuktighet. Dersom det kommer vann i et elektroverktøy, øker faren for elektrisk støt.
- Unngå uforvarslig behandling av ledningen. Bruk aldri ledningen til å bære eller trekke elektroverktøyet eller til å trekke ut støpselet. Hold ledningen unna varme, olje, skarpe kanter eller bevegelige deler. Skadde eller sammenflokede ledninger øker risikoen for elektrisk støt.
- Når du bruker et elektroverktøy utendørs, må du bruke en skjøteledning som er egnet for utendørs bruk. Når du bruker en skjøteledning som er egnet for utendørs bruk, reduseres risikoen for elektrisk støt.

- Hvis du ikke kan unngå å bruke et elektroverktøy på et fuktig sted, bruker du strømforsyning som er beskyttet med jordfeilbryter. Bruk av jordfeilbryter reduserer risikoen for elektrisk støt.

3. Personssikkerhet

- Vær oppmerksom, pass på hva du gjør, og vis fornøft når du arbeider med et elektroverktøy.** Ikke bruk elektroverktøy når du er trett eller er påvirket av narkotika, alkohol eller medikamenter. Et øyeblikks uoppmerksomhet under bruk av verktøyet kan føre til alvorlige personskader.
- Bruk personlig verneutstyr.** Bruk alltid vernebriller. Bruk av personlig verneutstyr, for eksempel støvmaske, sklisikre vernesko, hjelm eller hørselvern som passer til forholdene, reduserer risikoen for personskader.
- Forhindre utilsiktet start.** Kontroller at bryteren står i posisjon "av" før du kobler til strømkilden og/eller batteripakken, og før du tar opp eller bærer verktøyet. Det kan føre til ulykker hvis du bærer elektroverktøyet med fingeren på bryteren, eller setter strøm på verktøyet når bryteren står på.
- Fjern eventuelle innstillingsverktøy eller skruverktøy før du slår på elektroverktøyet. Et skruverktøy eller en nøkkel som fortsatt er festet til en roterende del av elektroverktøyet, kan føre til personskade.
- Ikke strekk deg for langt. Pass på at du alltid har sikkert fotfeste og god balanse. Da kan du kontrollere elektroverktøyet bedre i uventede situasjoner.
- Bruk egnede klær.** Ikke bruk løstsittende klær eller smykker. Hold hår, klær og hansker unna bevegelige deler. Løstsittende tøy, smykker eller langt hår kan bli sittende fast i bevegelige deler.
- Hvis det kan monteres støvavsug- og oppsamlingsinnretninger, må du forvise deg om at disse er tilkoblet og brukes på riktig måte. Bruk av støvoppsamling kan redusere faren i forbindelse med støv.

4. Bruk og behandling av elektroverktøy

- Ikke bruk makt på elektroverktøyet. Bruk riktig elektroverktøy for bruksområdet. Med et passende elektroverktøy arbeider du bedre og sikrere med den farten det er beregnet for.
- Ikke bruk elektroverktøyet hvis du ikke kan slå det på og av med bryteren. Et elektroverktøy som ikke kan kontrolleres med bryteren, er farlig og må repareres.
- Trekk støpselet ut av stikkkontakten og/eller koble fra batteripakken på elektroverktøyet før du utfører innstillinger, bytter tilbehør eller legger elektroverktøyet bort. Disse forebyggende sikkerhetstiltakene reduserer risikoen for utilsiktet start av elektroverktøyet.

- d. **Elektroverktøy som ikke er i bruk, må oppbevares utilgjengelig for barn.** Ikke la verktøyet bli brukt av personer som ikke er fortløig med det, eller som ikke har lest denne bruksanvisningen. Elektroverktøy er farlige når de brukes av uerfarne personer.
- e. **Sørg for vedlikehold av elektroverktøy.** Undersøk om bevegelige deler er feiljustert eller blokkert, om deler er skadet, og om det er andre forhold som kan påvirke elektroverktøets funksjon. Hvis elektroverktøyet er skadet, må det repareres før bruk. Dårlig vedlikeholdt elektroverktøy er årsaken til mange ulykker.
- f. **Hold skjæreverktøy skarpe og rene.** Godt vedlikeholdte skjæreverktøy med skarpe egger setter seg ikke så ofte fast og er lettere å føre.
- g. **Bruk elektroverktøy, tilbehør, verktøytøys osv. i henhold til disse instruksjonene.** Ta hensyn til arbeidsforholdene og arbeidet som skal utføres. Bruk av elektroverktøy til andre formål enn det som er angitt, kan føre til farlige situasjoner.
5. Service
- a. **Elektroverktøy skal alltid repareres av kvalifisert personell og bare med originale reservedeler.** Dette sikrer at elektroverktøets sikkerhet opprettholdes.

Ytterligere sikkerhetsadvarsler for elektroverktøy



Advarsel! Ekstra sikkerhetsinstruksjoner for varm-luftpistoler.

Advarsel! Skal ikke brukes utendørs, bare innendørs bruk.

Advarsel! Dette apparatet må plasseres på stativet når det ikke er i bruk.

Advarsel! Det kan oppstå brann hvis ikke apparatet brukes med varsomhet. Vær derfor varsom når du bruker apparatet på steder med brennbare materialer.

- ◆ Ikke rett varme mot samme sted i lang tid.
- ◆ Skal ikke brukes der det forekommer eksplosiv atmosfære.
- ◆ Vær klar over at varme kan bli ledet til brennbare materialer du ikke ser.
- ◆ Sett apparatet på stativet etter bruk, og la det kjøle før det oppbevares.
- ◆ Ikke la apparatet være uten tilsyn når det er på.
- ◆ Ikke blokker sporene for luftinntak eller munnstykkeuttaket, da dette kan forårsake for sterk varmeoppbygging som kan gi skade på apparatet.
- ◆ Du må ikke rette den varme luftstrømmen mot andre personer eller mot dyr.
- ◆ Ikke rør munnstykket, siden det blir veldig varmt under bruk og den forblir varmt i inntil 30 minutter etter bruk.
- ◆ Ikke plasser munnstykket mot noen gjenstand under eller umiddelbart etter bruk.

- ◆ Ikke stikk noe inn i munnstykket, da du kan få elektrisk støt.
- ◆ Ikke lås munnstykket mens apparatet er på.
- ◆ Ikke bruk apparatet som hårtørker! Lufttemperaturen er mye høyere enn for en hårtørker.
- ◆ Sørg for tilstrekkelig ventilasjon under bruk, da det kan bli dannet giftig damp.
- ◆ Ikke bruk apparatet i fuktig luft.
- ◆ Sørg for at arbeidsområdet er avlukkert når du fjerner maling. Bruk en spesialmaske som verner mot støv fra blymaling og damp, og pass på at andre som oppholder seg eller kommer inn i området der du arbeider, også beskytter seg.
- ◆ Ikke brenn maling. Det kan gi brannfare.
- ◆ Ikke la det feste seg maling på munnstykket, da den kan bli antent etter en tid.
- ◆ Slå av apparatet og la det kjøle før du setter på noe tilbehør.

Fjerning av blybasert maling.

- ◆ Vis meget stor varsomhet når du fjerner maling. Maling-flak, rester og damper fra maling kan inneholde bly, som er giftig. Bygninger fra før 1960 kan før i tiden ha blitt malt med maling som inneholder bly. Denne malingen kan være dekket med flere lag maling. Når det finnes på overflater, kan kontakt fra hånd til munn føre til inntak av bly.
- ◆ Eksponeringer for selv lave nivåer av bly kan forårsake uopprettelig skade på hjernen og nervesystemet. Faren ved blyforgiftning er størst for barn og gravide.
- ◆ Før du starter arbeidet, er det viktig å finne ut om malingen som skal fjernes, inneholder bly. Dette kan gjøres ved hjelp av et testsett eller av en profesjonell maler. Ikke røyk, spis eller drikk i et arbeidsområde som kan være forurenset av bly. Blybasert maling skal bare fjernes av profesjonelle og skal ikke fjernes med varmepistol.

Andre personers sikkerhet

- ◆ Det er ikke meningen at dette produktet skal brukes av personer (inkludert barn) med reduserte fysiske, sansemessige eller mentale evner, eller som mangler erfaring og kunnskap, med mindre de har fått oppfølging eller instruksjon når det gjelder bruken av produktet, fra en person som er ansvarlig for deres sikkerhet.
- ◆ Barn skal være under oppsyn så du er sikker på at de ikke leker med verktøyet.

Andre risikoer

Ved bruk av produktet kan det oppstå ytterligere risikoer som kanskje ikke er inkludert i sikkerhetsadvarslene som følger med. Disse risikoene kan bli forårsaket av feil bruk, langvarig bruk osv.

Selv om de relevante sikkerhetsbestemmelsene blir fulgt, og sikkerhetstiltakene blir gjennomført, kan visse gjenværende risikoer ikke unngås. Disse omfatter:

- ◆ Personskader som forårsakes av berøring av en roterende/bevegelig del.
- ◆ Personskader som forårsakes av at en del, et blad eller tilbehør endres.
- ◆ Personskader som forårsakes av langvarig bruk av et verktøy. Når du bruker et verktøy i lange perioder, må du sørge for å ta regelmessige pauser.
- ◆ Svekket hørsel.
- ◆ Helsefarer som forårsakes av innånding av støv som dannes når du bruker verktøyet (eksempel: arbeid med tre, spesielt eik, bøk og MDF).

Merking på verktøyet

Følgende symboler vises på verktøyet:



Advarsel! Brukeren må lese håndboken for å redusere risikoen for personskade.

Elektrisk sikkerhet



Dette apparatet er dobbeltisolert. Jording er derfor ikke nødvendig. Kontroller alltid at strømforsyningen er i overensstemmelse med spenningen på typeskiltet.

- ◆ Hvis strømledningen blir skadet, må den skiftes av produsenten eller et autorisert Black & Decker-service-senter for å unngå fare.

Skjøteledninger

- ◆ Det kan brukes kabel med to eller tre ledere, siden apparatet er dobbeltisolert og av klasse II.
- ◆ Avstanden kan være opptil 30 m (100 fot) uten tap av effekt.

Funksjoner

Dette verktøyet inneholder enkelte av eller alle funksjonene nedenfor.

1. Av/på-bryter
2. Munnstykke

Montering

Advarsel! Før monteringen må du passe på at verktøyet er slått av, og at kontakten er trukket ut.

Sette på et tilbehør

Du kan skaffe et utvalg av tilbehør hos din lokale forhandler.

- **Konisk munnstykke:** Konsentrerer luftstrømmen på et mindre område.
- **Fiskehale:** Sprer luftstrømmen over et større område.

- **Skjereflektor:** For lodding av rør.
- **Glassbeskytter:** For beskyttelse av glass under fjerning av maling.
- **Skrape:** For fjerning og stripping av maling og lakk.
- ◆ Fest koblingsstykket til tilbehøret over munnstykket (2).

Bruk

Slå på og av

- ◆ Når du skal slå verktøyet på med lav luftfartighet og lav varme, setter du av/på-bryteren i stillingen I.
- ◆ Når du skal slå verktøyet på høy lav luftfartighet og høy varme, setter du av/på-bryteren i stillingen II.
- ◆ Når du skal slå apparatet av, setter du av/på-bryteren i stillingen O.

Bruke verktøyet

Av hensyn til din sikkerhet er dette verktøyet utstyrt med termostat. Hvis du bruker verktøyet sammenhengende i lange perioder eller utsetter det for annen tung belastning, kan verktøyet bli overopphetet og kan slutte å fungere. Det anbefales derfor å la verktøyet kjøle med regelmessige mellomrom under bruk.

- ◆ La verktøyet bli varmet opp noen sekunder før bruk.
- ◆ Først kan det komme noe røyk ut av munnstykket. Dette er normalt og vil snart avta.
- ◆ Bruk en innstilling for lav temperatur for å tørke maling og lakk, fjern etiketter, krympe isolasjonsrør og tine frosne rør.
- ◆ Bruk en innstilling for høy temperatur for å fjerne maling og lakk og for å lodde rørforbindelser.
- ◆ Hvis du er usikker når det gjelder bruk av dette verktøyet på et bestemt materiale, starter du med en lav temperaturinnstilling og utfører en test på en skrapbit av materialet.

Håndfri bruk (figur A)

Verktøyet har stativområder (3) for å lette håndfri bruk.

- ◆ Plasser verktøyet med munnstykket opp på en overflate der det ikke kan velte.
- ◆ Sikre kablen for å hindre at den kan trekke verktøyet overende.

Advarsel! Rett alltid verktøyet bort fra deg selv eller andre personer. Ikke berør munnstykket. Pass på at ikke noe materiale faller inn i munnstykket.

Fjerne maling

- ◆ Rett den varme luften mot arbeidsområdet for å varme opp malingen.
- ◆ Ikke brenn malingen. Hold munnstykket minst 25 mm fra overflaten.

- ◆ Når malingen blir myk, fjerner du den med en skarpe. Skrap bort den myke malingen straks, for ellers blir den hard igjen.
- ◆ Skrap i treets fiberretning der det er mulig.
- ◆ Ikke la det samle seg maling og rusk på skrapen.
- ◆ Når du skraper på et loddrett underlag, skraper du nedover så du hindrer at malingen faller tilbake i munestykket.
- ◆ Når du fjerner maling fra en overflate ved siden av glass, treffer du nødvendige tiltak for å beskytte glasset mot varmen.

Advarsel! Bruk et glassbeskyttelsesmunestykke når du fjerner maling fra vinduer med metall eller trerammer.

- ◆ Kast alt malingsavfall på sikker måte, og pass på at arbeidsområdet er gjort grundig rent etter bruk.

Nedkjøling

Under bruk blir munestykket på verktøyet svært varmt. Når du har slått det av, må du la verktøyet kjøle i minst 30 minutter.

- ◆ Plasser verktøyet med munestykket opp på en overflate der det ikke kan velte.
- ◆ Hvis du vil redusere avkjølingstiden, kjører du verktøyet på laveste temperaturinnstilling noen minutter før du slår apparatet av.

Vedlikehold

Black & Decker-produktet er konstruert for å være i drift over lengre tid med et minimum av vedlikehold. Apparatet er avhengig av godt vedlikehold og regelmessig rengjøring for å fungere som det skal til enhver tid.

Advarsel! Før du utfører vedlikehold på apparatet, må du slå det av, trekke ut støpselet og la apparatet kjøle.

- ◆ Rengjør ventilasjonsåpningene i apparatet jevnlig med en myk børste eller tørr klut.
- ◆ Maskinen rengjøres bare med mild såpe og en fuktig klut. Ikke bruk slipende eller løsemiddelbaserte rengjøringsmidler. La det aldri sive væske inn i apparatet, og senk aldri noen deler av apparatet ned i væske.

Bytte nettstøpsel (gjelder bare Storbritannia og Irland)

Hvis det må settes på nytt nettstøpsel:

- ◆ Kast det gamle støpselet på en trygg måte.
- ◆ Koble den brune ledningen til den strømførende terminalen i det nye støpselet.
- ◆ Koble den blå ledningen til den nøytrale terminalen.

Advarsel! Du skal ikke koble til jordterminalen. Følg monteringsinstruksjonene som følger med støpsler av god kvalitet.

Anbefalt sikring: 13 A.

Miljø



Separat avfallshåndtering. Dette produktet må ikke kastes sammen med vanlig husholdningsavfall.

Hvis du synes Black & Decker-produktet bør skiftes ut, eller du ikke har bruk for det lenger, må du ikke kaste det sammen med husholdningsavfall. Sorg for separat avfallshåndtering for dette produktet.



Hvis brukte produkter og emballasje leveres atskilt, kan materialer resirkuleres og brukes på nytt. Gjenbruk av resirkulerte materialer bidrar til redusert miljøforurensning og reduserer behovet for råmaterialer.

Det kan være lokale bestemmelser for separat avfallshåndtering for elektriske produkter fra husstander på kommunale avfallsplasser eller hos forhandleren, når du kjøper et nytt produkt.

Black & Decker har en ordning for innsamling og resirkulering av Black & Decker-produkter som ikke skal brukes lenger. Du kan benytte denne tjenesten ved å levere produktet til et hvilket som helst autorisert serviceverksted.

Du kan finne ut hvor nærmeste autoriserte serviceverksted er, ved å kontakte din lokale Black & Decker-avdeling på adressen som er oppgitt i denne håndboken. En oversikt over autoriserte Black & Decker-serviceverksteder og alle opplysninger om ettersalgsservice og kontakter er også tilgjengelig på Internett: www.2helpU.com

Tekniske data

		KX1650 (Type 1)
Inngangsspenning	V_{AC}	230
Konstruksjon		Klasse II
Inn-effekt	W	1750
Temperaturområde	$^{\circ}C$	460 - 600
Vekt	kg	0,6

Garanti

Black & Decker er trygg på kvaliteten på sine produkter og tilbyr en enestående garanti. Denne garantierklæringen kommer i tillegg til dine lovbestemte rettigheter og er ikke i konflikt med disse. Garantien er gyldig i EU- og EFTA-medlemsstatene.

Hvis et Black & Decker-produkt går i stykker på grunn av material- og/eller fabrikasjonsfeil eller har mangler i forhold til spesifikasjonene innen 24 måneder fra kjøpet, påtar Black & Decker seg å skifte ut defekte deler, reparere produkter som har vært utsatt for alminnelig slitasje, eller bytte ut slike produkter med minst mulig vanskelighet for kunden, med mindre:

- ◆ Produktet har vært brukt i yrkes-/næringsvirksomhet eller til utleie.
- ◆ Produktet har vært utsatt for feilaktig bruk eller dårlig vedlikehold.
- ◆ Produktet har blitt skadet av fremmede gjenstander eller stoffer eller ved et uhell.
- ◆ Andre enn autoriserte serviceverksteder eller Black & Deckers serviceteknikere har forsøkt å reparere produktet.

For å ta garantien i bruk må du vise kjøpskvittering til forhandleren eller til et autorisert serviceverksted. Du kan finne ut hvor nærmeste autoriserte serviceverksted er, ved å kontakte din lokale Black & Decker-avdeling på adressen som er oppgitt i denne håndboken. En oversikt over autoriserte Black & Decker-serviceverksteder og alle opplysninger om ettersalgsservice og kontakter er også tilgjengelig på Internett: www.2helpU.com

Besøk vårt webområde www.blackanddecker.no for å registrere ditt nye Black & Decker-produkt og for å holde deg oppdatert om nye produkter og spesialtilbud. Du finner mer informasjon om Black & Decker og produktutvalget vårt på www.blackanddecker.no.

Anvendelsesområde

Din Black & Decker-varmepistol er beregnet til forskellige opvarmingsopgaver som f.eks. fjernelse af maling. Dette produkt er kun beregnet til privat og indendørs brug.

Sikkerhedsanvisninger

Generelle sikkerhedsadvarsler vedrørende elværktøj



Advarsel! Læs alle sikkerhedsadvarsler og instruktioner. Hvis nedenstående instruktioner og advarsler ikke følges, er der risiko for elektrisk stød, brand og/eller alvorlige personskader.

Gem alle advarsler og anvisninger til senere brug. Begrebet "elværktøj", der benyttes i nedenstående advarsler, henviser til netdrevet elværktøj (med netledning) eller bat-teridrevet elværktøj (uden netledning).

1. Sikkerhed i arbejdsområdet

- Hold arbejdsområdet rent og ordentligt oplyst. Uordentlige og mørke områder øger faren for uheld.
- Brug ikke elværktøj i eksplosive omgivelser, f.eks. hvor der er brændbare væsker, gasser eller støv.** Elværktøj kan forårsage gnister, der kan antænde støv eller dampe.
- Hold børn og andre personer på afstand, når **elværktøjet er i brug**. Du kan miste kontrollen over værktøjet, hvis du distraheres.

2. Elektricitet og sikkerhed

- Elværktøjsstik skal passe til stikkontakten. Stikket må under ingen omstændigheder ændres. Brug ikke adapterstik sammen med jordforbundet elværktøj.** Uændrede stik, der passer til stikkontakterne, nedsætter risikoen for elektrisk stød.
- Undgå kropskontakt med jordforbundne overflader** som f.eks. rør, radiatorer, komfurer og køleskabe. Hvis din krop er jordforbundet, øges risikoen for elektrisk stød.
- Elværktøj må ikke udsættes for regn eller fugt.** Indtrængen af vand i elværktøj øger risikoen for elektrisk stød.
- Ødelæg ikke ledningen. Bær, træk eller afbryd ikke elværktøjet vha. ledningen. Beskyt ledningen mod varme, olie, skarpe kanter eller bevægelige dele.** Beskadigede eller sammenfiltrede ledninger øger risikoen for elektrisk stød.
- Hvis elværktøj benyttes i det fri, skal der benyttes en forlængerledning, som er godkendt til udendørs brug.** Brug af en forlængerledning til udendørs brug nedsætter risikoen for elektrisk stød.

- Brug en strømkilde med fejlstrømsbeskyttelse, hvis **det er uundgåeligt at anvende elværktøj på fugtige steder**. Med en fejlstrømsbeskyttelse reduceres risikoen for elektrisk stød.

3. Personlig sikkerhed

- Vær opmærksom, hold øje med, hvad du laver, og brug elværktøjet fornuftigt. Brug ikke et elværktøj, hvis du er træt eller påvirket af stoffer, medicin eller alkohol.** Få sekunders uopmærksomhed ved brug af elværktøjet kan føre til alvorlige personskader.
 - Brug personlige værnemidler. Brug altid beskyttelsesbriller.** Brug af værnemidler som f.eks. støvmaske, skridsikket fodtøj, beskyttelseshjelm eller høreværn nedsætter risikoen for personskader, hvis udstyret anvendes korrekt.
 - Sørg for, at værktøjet ikke kan starte utilsigtet.** Kontroller, at afbryderkontakten står på slukket, inden **værktøjet tilsluttes strømkilden og/eller batteriet, samles op eller bæres**. Bæres elværktøj, mens fingeren er på kontakten, eller tilsluttes det, mens kontakten står på tændt, kan der nemt ske en ulykke.
 - Fjern indstillingsværktøj eller skruenøgle, inden elværktøjet tændes.** Et værktøj eller en nøgle, der efterlades i en roterende del i elværktøjet, kan resultere i personskader.
 - Stræk dig ikke for langt. Sørg for, at du altid har sikkert fodfæste og balance.** Det gør det nemmere at kontrollere elværktøjet, hvis der skulle opstå uventede situationer.
 - Brug egnet arbejdstøj. Undgå løse **beklædningsgenstande eller smykker. Hold hår, tøj og handsker væk fra dele, der bevæger sig.** Bevægelige dele kan gribe fat i løstsiddende tøj, smykker eller langt hår.
 - Hvis støvudsugnings- og opsamlingsudstyr kan monteres, er det vigtigt, at dette tilsluttes og benyttes korrekt. Brug af udstyr til opsamling af støv kan nedsætte risikoen for støvrelateret personskade.
- #### 4. Brug og vedligeholdelse af elværktøj
- Undgå at overbelaste elværktøjet. Brug altid det rette elværktøj til opgaven.** Med det rigtige elværktøj udføres arbejdet lettere og sikrere og i det tempo, som værktøjet er beregnet til.
 - Brug ikke elværktøjet, hvis afbryderen er defekt.** Elværktøj, der ikke kan reguleres med afbryderen, er farligt og skal repareres.
 - Træk stikket ud af stikkontakten og/eller batteriet inden indstilling, tilbehørsudskiftning eller opbevaring af elværktøjet.** Disse sikkerhedsforanstaltninger reducerer risikoen for utilsigtet start af værktøjet.

- d. **Opbevar ubenyttet elværktøj uden for børns rækkevidde. Lad aldrig personer, der ikke er fortrolige med elværktøj, eller som ikke har gennemlæst disse instrukser, benytte maskinen.** Elværktøj er farligt, hvis det benyttes af ukyndige personer.
- e. **Elværktøj bør vedligeholdes omhyggeligt. Kontroller, om bevægelige dele er skæve og ikke sidder fast, og om delene er brækket eller beskadiget, så elværktøjets funktion påvirkes. Få beskadigede dele repareret, inden elværktøjet tages i brug.** Mange uheld skyldes dårligt vedligeholdt elværktøj.
- f. **Sørg for, at skæreværktøjer er skarpe og rene.** Omhyggeligt vedligeholdt skæreværktøjer med skarpe skærekanter sætter sig ikke så hurtigt fast og er nemmere at styre.
- g. **Brug elværktøjet, tilbehøret, indsatsværktøj osv. i overensstemmelse med disse instruktioner under hensyntagen til arbejdsforholdene og arbejdet, der skal udføres med værktøjet.** I tilfælde af anvendelse af elværktøjet til formål, som ligger uden for det fastsatte anvendelsesområde, kan der opstå farlige situationer.

5. Service

- a. **Få altid elværktøjet repareret af kvalificerede fagfolk med udelukkende identiske reservedele.** Dermed opretholdes elværktøjets sikkerhed.

Yderligere sikkerhedsadvarsler for elværktøj



Advarsel! Yderligere sikkerhedsanvisninger for varmepistoler.

Advarsel: Må ikke bruges udendørs, kun indendørs.

Advarsel: Apparatet skal anbringes i holderen, når det ikke er i brug.

Advarsel: Der kan opstå brand, hvis apparatet ikke anvendes med forsigtighed. Pas derfor på, når apparatet bruges på steder med brændbare materialer.

- ◆ Udsæt ikke samme sted for varme i lang tid.
- ◆ Brug ikke apparatet i eksplosive atmosfærer.
- ◆ Vær opmærksom på, at der kan overføres varme til brændbare materialer, der ikke er synlige.
- ◆ Sæt apparatet i holderen efter brug, og lad det køle af inden opbevaring.
- ◆ Efterlad aldrig apparatet uden opsyn, når det er tændt.
- ◆ Tilstop ikke hverken luftindsugningsåbningerne eller dyseudgangen, da dette kan forårsage dannelse af kraftig varme med beskadigelse af apparatet til følge.
- ◆ Ret ikke den varme luftstrøm mod personer eller dyr.
- ◆ Rør ikke ved dysen, da den bliver meget varm under brug og bliver ved med at være varm i op til 30 minutter efter brug.

- ◆ Sæt ikke dysen mod genstande under eller umiddelbart efter brug.
- ◆ Stik ikke noget ned i dysen; du kan få elektrisk stød.
- ◆ Se ikke ned i dysen, mens apparatet er tændt.
- ◆ Brug ikke apparatet som hårtørrer! Lufttemperaturen er langt højere end en hårtørres lufttemperatur.
- ◆ Sørg for tilstrækkelig ventilation under brug, da der kan dannes giftige dampe.
- ◆ Brug ikke apparatet i fugtige omgivelser.
- ◆ Sørg for, at arbejdsområdet er lukket ved fjernelse af maling. Bær en specielt designet støvmaske til beskyttelse mod støv og røg, og sørg for, at personer i eller ved adgangen til arbejdsområdet også er beskyttet.
- ◆ Afbrænd ikke maling, da det kan udgøre en brandrisiko.
- ◆ Fjern maling, der sætter sig på dysen. Den kan antændes efter et stykke tid.
- ◆ Sluk for apparatet, og lad det køle af, før du monterer tilbehør.

Fjernelse af blybaseret maling

- ◆ Vær meget forsigtig ved fjernelse af maling. Malingen, malingsaffaldet og malingsdampene kan indeholde bly, som er giftigt. Alle bygninger fra før 1960 kan tidligere være malet med maling, der indeholder bly. Denne maling kan senere være dækket af flere lag maling. Efter aflejring på overflader kan kontakt mellem hånd og mund resultere i indtagelse af bly.
- ◆ Udsættes man for selv små mængder bly, kan det forårsage uoprettelig skader på hjerne og nervesystem. Børn og gravide kvinder er udsat for den største risiko for blyforgiftning.
- ◆ Før arbejdet påbegyndes, er det vigtigt at konstatere, om den maling, der skal fjernes, indeholder bly. Dette kan gøres vha. et testsæt eller af en professionel maler. Ryg, spis og drik ikke i et arbejdsområde, der kan være forurenede af bly. Blybaseret maling må kun fjernes af fagfolk og må ikke fjernes vha. en varmepistol.

Andres sikkerhed

- ◆ Dette apparat må ikke bruges af personer (herunder børn) med nedsatte fysiske, sensoriske eller mentale evner eller manglende erfaring og viden, med mindre det sker under overvågning, eller der gives instruktion i brugen af apparatet af en person, der er ansvarlig for deres sikkerhed.
- ◆ Børn skal holdes under opsyn, så det sikres, at de ikke leger med værktøjet.

Restrisici.

Der kan opstå yderligere restrisici under brugen af værktøjet, som ikke kan medtages i vedlagte sikkerhedsadvarsler. Disse risici kan opstå pga. forkert anvendelse, langvarig brug etc. Selv ved overholdelse af relevante sikkerhedsforskrifter og anvendelse af sikkerhedsudstyr kan visse restrisici ikke undgås. Disse omfatter:

- ◆ Tilskadecomst forårsaget af berøring af roterende/ bevægelige dele.
- ◆ Tilskadecomst forårsaget af udskiftning af dele, blade eller tilbehør.
- ◆ Tilskadecomst forårsaget af langvarig brug af et værktøj. Husk at holde pause jævnligt ved brug af et værktøj i længere tid.
- ◆ Høreskader.
- ◆ Sundhedsrisici forårsaget af indånding af støv, der genereres ved brug af værktøjet (eksempel: Arbejde med træ, især, eg, bøg og MDF).

Mærkater på værktøjet

Følgende symboler er anbragt på værktøjet:



Advarsel! Brugeren skal læse brugervejledningen for at reducere risikoen for tilskadecomst.

Elektricitet og sikkerhed



Denne maskine er dobbelt isoleret. Derfor er jordledning ikke nødvendig. Kontroller altid, at strømforsyningen svarer til spændingen på typeskiltet.

- ◆ Hvis netledningen beskadiges, skal den udskiftes af producenten eller et autoriseret Black & Decker-værksted, så farlige situationer undgås.

Forlængerledninger

- ◆ Der kan anvendes et 2- eller 3-lederkabel, da apparatet er dobbeltisoleret og klassificeret som klasse II.
- ◆ Der kan anvendes op til 30 m uden effekttab.

Funktioner

Dette værktøj leveres med nogle eller alle de følgende egenskaber.

1. Afbryderkontakt
2. Dyse

Samling

Advarsel! Kontroller før montering, at værktøjet er slukket, og at stikket er taget ud af stikkontakten.

Montering af tilbehør

Du kan få en serie tilbehør hos din lokale forhandler.

- **Kegledyse:** Koncentrerer luftstrømmen på et mindre område.
- **Fiskehale:** Spredter luftstrømmen over et bredere område
- **Skereflektor:** Til lodning af rør.
- **Glasbeskyttelse:** Til beskyttelse af glas under fjernelse af maling.
- **Skraber:** Til fjernelse af opløst maling og lak.
- ◆ Monter det enkelte tilbehørs tilslutningsstykke over dysen (2).

Anvendelse

Start og stop

- ◆ Sæt afbryderkontakten i position I for at tænde værktøjet ved lav luft hastighed og lav varme.
- ◆ Sæt afbryderkontakten i position II for at tænde værktøjet ved høj luft hastighed og høj varme.
- ◆ Sæt afbryderkontakten i position O for at slukke værktøjet.

Brug af værktøjet

Værktøjet er udstyret med en termostat af hensyn til din sikkerhed. Kontinuerlig brug af værktøjet i lang tid eller andet belastende arbejde kan overophede værktøjet, så det stopper. Det anbefales derfor, at du lader værktøjet køle af med jævne mellemrum under brug.

- ◆ Lad værktøjet varme op i nogle få sekunder før brug.
- ◆ Der kan komme lidt røg fra dysen i starten. Det er normalt og forsvinder hurtigt.
- ◆ Brug en lav temperaturindstilling til tørring af maling og lak, fjernelse af etiketter, krympning af isoleringsrør og opløsning af frosne rør.
- ◆ Brug en høj temperaturindstilling til fjernelse af maling og lak samt til lodning af rørsamlinger.
- ◆ Hvis du er usikker vedrørende brugen af dette værktøj på et bestemt materiale, skal du starte med en lav temperaturindstilling og udføre en test på et stykke affaldsmateriale.

Håndfri brug (fig. A)

Værktøjet har en holder (3) til håndfri brug.

- ◆ Placer værktøjet med dysen opad på en overflade, hvor det ikke kan vælte.
- ◆ Fastgør ledningen, så værktøjet ikke kan vælte ud af holderen.

Advarsel! Ret altid værktøjet væk fra dig selv og andre personer. Rør ikke ved dysen. Pas på at der ikke falder materiale ned i dysen.

Fjernelse af maling

- ◆ Ret den varme luft mod arbejdsområdet for at varme malingen op.
- ◆ Afbrænd ikke malingen. Hold dysen mindst 25 mm fra overfladen.
- ◆ Fjern malingen med en skraber, når den bliver blød. Skrab den bløde maling af med det samme, ellers bliver den hård igen.
- ◆ Skrab så vidt muligt altid på langs af træets årer.
- ◆ Lad ikke maling og affald samle sig på skraberens.
- ◆ Skrab nedad ved skrabet fra en lodret position, så malingen ikke falder tilbage og ind i dysen.
- ◆ Træf de nødvendige forholdsregler ved fjernelse af maling fra en overflade ved siden af glas, så glasset beskyttes mod varmen.

Advarsel! Brug en glasbeskyttelsesdysse ved fjernelse af maling fra vinduer med metal- eller træramme.

- ◆ Bortskaf alt malingsaffald sikkert, og kontroller, at arbejdsområdet er helt rent efter brug.

Nedkøling

Dysen på værktøjet bliver meget varm under brug. Lad værktøjet køle af i mindst 30 minutter, efter at det er slukket.

- ◆ Placer værktøjet med dysen opad på en overflade, hvor det ikke kan vælte.
- ◆ Køletiden kan reduceres ved at lade værktøjet køre ved laveste temperaturindstilling nogle få minutter, før det slukkes.

Vedligeholdelse

Dit Black & Decker-værktøj er beregnet til brug gennem lang tid med et minimum af vedligeholdelse. Vedvarende tilfredsstillende drift afhænger af korrekt behandling og regelmæssig rengøring af apparatet.

Advarsel! Sluk for apparatet, tag stikket ud, og lad apparatet køle af, før der udføres vedligeholdelse.

- ◆ Rengør regelmæssigt apparatets ventilationshuller med en blød børste eller en tør klud.
- ◆ Brug kun et mildt rengøringsmiddel og en fugtig klud til rengøring af apparatet. Der må ikke bruges skuremidler eller opløsningsmidler. Lad aldrig væske trænge ind i værktøjet, og nedsænk aldrig nogen del af værktøjet i væske.

Udskiftning af stik (kun Storbritannien og Irland)

Sådan monteres et nyt stik:

- ◆ Det gamle stik skal bortskaffes på en sikker måde.
- ◆ Slut den brune ledning til den strømførende klemme på det nye stik.
- ◆ Slut den blå ledning til den neutrale klemme.

Advarsel! Der skal ikke foretages nogen tilslutning til jordklemmen. Følg de monteringsanvisninger, der leveres sammen med kvalitetsstik. Anbefalet sikring: 13 A.

Miljøbeskyttelse



Separat bortskaffelse. Dette produkt må ikke bortskaffes sammen med almindeligt husholdningsaffald.

Når dit Black & Decker-produkt en dag er udtjent, eller du ikke længere har brug for det, må du ikke smide det ud sammen med det almindelige affald. Produktet skal bortskaffes separat.



Ved separat bortskaffelse af brugte produkter og emballage bliver der mulighed for at genanvende forskellige materialer. Genanvendelse af materialer medvirker til at forebygge miljøforurening og mindsker behovet for råstoffer.

Lokal lovgivning kan kræve separat indsamling af elektriske husholdningsapparater på kommunale affaldsdepoter eller af den detailhandlende ved køb af et nyt produkt.

Black & Decker sørger for at indsamle og genanvende Black & Decker-produkter, når disse ikke længere kan bruges. Hvis du vil benytte dig af denne service, skal du returnere produktet til et autoriseret værksted, der indsamler produkterne for os.

Kontakt det lokale Black & Decker-kontor på den adresse, der er angivet i denne vejledning, for at få oplysninger om nærmeste autoriserede værksted. En liste over alle autoriserede Black & Decker-serviceværksteder samt servicevilkår og kontaktpersoner er tilgængelig på internettet på adressen: www.2helpU.com

Tekniske data

		KX1650 (type 1)
Indgangsspænding	V _{ac}	230
Konstruktion		Klasse II
Motoreffekt	W	1750
Temperaturområde	°C	460 - 600
Vægt	kg	0,6

Garanti

Black & Decker garanterer, at produktet er fri for skader og fejl og tilbyder en fremragende garanti. Garantien er et tillæg til forbrugerens lovsikrede rettigheder og påvirker ikke disse. Garantien gælder inden for medlemsstaterne af den Europæiske Union og i det Europæiske Frihandelsområde.

Hvis et Black & Decker-produkt går i stykker på grund af materiel skade og/eller fabrikationsfejl eller på anden måde ikke fungerer i overensstemmelse med specifikationen inden for 24 måneder fra købsdatoen, påtager Black & Decker sig at reparere eller ombytte produktet med mindst mulig ulempe for kunden. Garantien gælder ikke for fejl og mangler, der er sket i forbindelse med:

- ◆ Produktet har været anvendt erhvervs-mæssigt eller til udlejning.
- ◆ Produktet har været anvendt forkert eller er ikke vedligeholdt.
- ◆ Produktet er beskadiget af fremmedlegemer, substanser eller pga. uheld.
- ◆ Garantien gælder ikke, hvis reparationer er udført af andre end et autoriseret Black & Decker-værksted.

For at udnytte garantien skal produktet og købskvitteringen indleveres til forhandleren eller til et autoriseret værksted. Kontakt det lokale Black & Decker-kontor på den adresse, der er angivet i denne vejledning, for at få oplysninger om nærmeste autoriserede værksted. En liste over alle autoriserede Black & Decker-serviceværksteder samt servicevilkår og kontaktpersoner er tilgængelig på internettet på adressen: www.2helpU.com

Gå venligst ind på vores website www.blackanddecker.dk for at registrere dit nye produkt og for at blive holdt ajour om nye produkter og specialtilbud. Der findes yderligere oplysninger om mærket Black & Decker og vores produktsortiment på adressen www.blackanddecker.dk

Käyttötarkoitus

Black & Decker -kuumailmapistooli on tarkoitettu käytettäväksi esimerkiksi maalin poistamiseen. Tuote on tarkoitettu ainoastaan koti- ja sisäkäyttöön.

Turvallisuusohjeet

Sähkötyökalujen yleiset turvavaroitukset



Varoitus! Lue kaikki turvavaroitukset ja ohjeet. Alla olevien varoitusten ja ohjeiden noudattamisen laiminlyönti saattaa johtaa sähköiskun, tulipaloon ja/tai vakavaan loukkaantumiseen.

Säästä kaikki varoitukset ja ohjeet tulevaa käyttöä varten. Ohjeissa käytetty käsite "sähkötyökalu" tarkoittaa verkkokäyttöisiä sähkötyökaluja (verkkojohdolla varustettuja) ja akkukäyttöisiä sähkötyökaluja (ilman verkkojohtoa).

1. Työalueen turvallisuus

- Pidä työskentelyalue puhtaana ja hyvin valaistuna.** Työpaikan epäjärjestys tai valaisemattomat työalueet voivat johtaa tapaturmiin.
- Älä käytä sähkötyökalua räjähdysalttiissa ympäristössä, jossa on palavaa nestettä, kaasua tai pölyä.** Sähkötyökalu muodostaa kipinöitä, jotka saattavat sytyttää pölyn tai höyryt.
- Pidä lapset ja sivulliset loitolla sähkötyökalua käyttäessäsi.** Voit menettää laitteen hallinnan, jos huomiosi suuntautuu muualle.

2. Sähköturvallisuus

- Sähkötyökalun pistokkeen on sovitava pistorasiaan.** Pistoketta ei saa muuttaa millään tavalla. Älä käytä mitään pistorasiasoittimia maadoitettujen sähkötyökalujen kanssa. Alkuperäiset pistokkeet ja niille sopivat pistorasiat vähentävät sähköiskun vaaraa.
- Vältä koskettamasta maadoitettuja pintoja, kuten putkia, pattereita, liesiä tai jääkaappeja.** Sähköiskun vaara kasvaa, jos kehosi on maadoitettu.
- Älä altista sähkötyökalua sateelle tai kosteudelle.** Veden tunkeutuminen sähkötyökalun sisään kasvattaa sähköiskun riskiä.
- Älä käsittele virtajohtoa kovakouraisesti.** Älä käytä sitä sähkötyökalun kantamiseen, vetämiseen tai pistokkeen irrottamiseen pistorasiasta. Pidä johto loitolla kuumuudesta, öljystä, terävistä reunoista ja liikkuvista osista. Vahingoittuneet tai sotkeutuneet johdot lisäävät sähköiskun vaaraa.
- Käyttäessäsi sähkötyökalua ulkona käytä ainoastaan ulkokäyttöön soveltuvaa jatkojohtoa.** Ulkokäyttöön soveltuvan jatkojohdon käyttö pienentää sähköiskun vaaraa.

- Jos sähkötyökalua on välttämättä käytettävä kosteassa paikassa, käytä jäännösvirtalaitteella (RCD) suojattua virtalähdettä.** Jäännösvirtalaitteen käyttö vähentää sähköiskun vaaraa.

3. Henkilöturvallisuus

- Keskity työskentelyysi ja noudata tervettä järkeä käyttäessäsi sähkötyökaluja.** Älä käytä sähkötyökalua, jos olet väsynyt tai huumeiden, alkoholin tai lääkkeiden vaikutuksen alaisena. Hetken tarkkaamattomuus sähkötyökalua käytettäessä saattaa johtaa vakavaan loukkaantumiseen.
- Käytä henkilökohtaisia suojavarusteita.** Käytä aina suojalaseja. Suojavarusteet, kuten hengityssuojain, luistamattomat turvajalkineet, kypärä ja kuulosuojaimet, pienentävät loukkaantumiskäsiä, jos niitä käytetään tilanteen mukaan oikein.
- Vältä tahatonta käynnistämistä.** Varmista, että kytkin on OFF-asennossa, ennen kuin liität laitteen virtalähteeseen ja/tai akkuun, nostat laitteen tai kannat sitä. Onnettomuusvaara lisääntyy, jos kannat sähkötyökalua sormi käyttökytkimellä tai kytket työkalun virtajohtoon pistorasiaan, kun käyttökytkin on päällä.
- Irrota mahdollinen säätö- tai kiintoavain, ennen kuin käynnistät sahan.** Sahan pyöriivään osaan kiinni jäänyt avain voi johtaa loukkaantumiseen.
- Älä kurkota liian kaus.** Seiso aina tukevasti ja tasapainossa. Tällöin voit paremmin hallita sähkötyökalua yllättävissä tilanteissa.
- Käytä tarkoitukseen soveltuvia vaatteita.** Älä käytä löysiä työvaatteita tai koruja. Pidä hiukset, vaatteet ja käsineet loitolla liikkuvista osista. Väljät vaatteet, korut ja pitkät hiukset voivat takertua liikkuviin osiin.
- Jos laitteeseen voi kiinnittää pölynkerääjään tai -imurin, tarkista, että se on paikallaan ja että se toimii kunnolla.** Pölynimurin käyttö voi vähentää pölyn aiheuttamia vaaroja.

4. Sähkötyökalujen käyttö ja hoito

- Älä ylikuormita sähkötyökalua.** Käytä kyseiseen työhön tarkoitettua sähkötyökalua. Sopivaa sähkötyökalua käyttäen työskentelet paremmin ja turvallisemmin tehoalueella, jolle sähkötyökalu on tarkoitettu.
- Älä käytä sähkötyökalua, jota ei voida käynnistää ja pysäyttää virtakytkimestä.** Jos sähkötyökalua ei voi käynnistää ja pysäyttää virtakytkimellä, se on vaarallinen ja se täytyy korjata.
- Irrota pistotulppa pistorasiasta ja/tai akku laitteesta, ennen kuin suoritat säätöjä, vaihdat tarvikkeita tai siirät sähkötyökalun varastoitavaksi.** Nämä turvatoimenpiteet pienentävät sähkötyökalun tahattoman käynnistämisen riskiä.

- d. Säilytä sähkötyökalut poissa lasten ulottuvilta, kun niitä ei käytetä. Älä anna sähkötyökalua sellaisen henkilön käyttöön, joka ei tunne sitä tai joka ei ole tutustunut tähän käyttöohjeeseen. Sähkötyökalut ovat vaarallisia kokemattoman käyttäjän käsissä.
- e. Hoida sähkötyökalusi huolella. Tarkista, että liikkuvat osat toimivat moitteettomasti ja etteivät ne ole puristuksessa. Tarkista myös, ettei työkalussa ei ole murtuneita tai vahingoittuneita osia, jotka saattaisivat vaikuttaa haitallisesti sen toimintaan. Korjauta mahdolliset viat ennen käyttöönottoa. Moni tapaturma aiheutuu huonosti huolletuista laitteista.
- f. Pidä leikkausterät terävinä ja puhtaina. Huolellisesti hoidettu, terävä saha ei tartu herkästi kiinni, ja sitä on helpompi hallita.
- g. Käytä sähkötyökaluja, tarvikkeita, vaihtotyökaluja jne. näiden ohjeiden mukaisesti. Ota tällöin huomioon työolosuhteet ja suoritettava toimenpide. Sähkötyökalun käyttö muuhun kuin sille määrättyyn käyttöön saattaa johtaa vaarallisiin tilanteisiin.

5. Huolto

- a. Korjauta sähkötyökalu koulutetulla ja ammattitaitoisella henkilöllä ja hyväksy korjauksiin vain alkuperäisiä varaosia. Siten varmistat, että sähkötyökalu säilyy turvallisena.

Sähkötyökalujen lisäturvavaroitukset



Varoitus! Kuumailmapistoolien lisäturvaohjeet

Varoitus: Älä käytä laitetta ulkona, vaan ainoastaan sisällä.

Varoitus: Kun laitetta ei käytetä, se on sijoitettava telineeseensä.

Varoitus: Huolimaton käyttö voi aiheuttaa tulipalon. Sen vuoksi laitteen käytössä on noudatettava suurta varovaisuutta paikoissa, joissa on syttyvää materiaalia.

- ◆ Älä suuntaa kuumaa ilmaa liian kauan samaan kohtaan.
- ◆ Älä käytä laitetta räjähdysalttiissa ympäristössä.
- ◆ Ota huomioon, että kuumuus voi siirtyä tulenarkoihin materiaaleihin, jotka eivät ole näkyvissä.
- ◆ Aseta laite käytön jälkeen telineeseensä ja anna jäähtyä ennen säilytykseen laittamista.
- ◆ Älä jätä käynnissä olevaa laitetta ilman valvontaa.
- ◆ Älä peitä ilmanottoaukkoja tai suuttimen aukkoa, koska se voi aiheuttaa liiallista kuumenemista, minkä seurauksena laite voi vahingoittua.
- ◆ Älä suuntaa kuumaa ilmavirtaa ihmiseen tai eläimiin.
- ◆ Älä kosketa suutinta, sillä se kuumenee erittäin voimakkaasti käytön aikana ja säilyy kuumana jopa puoli tuntia käytön jälkeen.
- ◆ Älä aseta suutinta mitään esinettä vasten käytön aikana tai heti käytön jälkeen.

- ◆ Älä ylönnä mitään suuttimeen, sillä se voi aiheuttaa sähköiskun.
- ◆ Älä katso suuttimen sisään laitteen ollessa käynnissä.
- ◆ Älä käytä laitetta hiustenkuivaimena. Ilman lämpötila on paljon hiustenkuivaimen lämpötilaa korkeampi.
- ◆ Varmista, että ilmavaihto on riittävä, sillä käytön aikana voi syntyä myrkyllisiä kaasuja.
- ◆ Älä käytä laitetta kosteissa olosuhteissa.
- ◆ Varmista maalia poistettaessa, että työalue on suljettu. Käytä kasvosuojusta, joka on erityisesti tarkoitettu suojaamaan lyijypitoisen maalin tuottamalta pölyltä ja kaasulta, ja varmista, että kaikki työalueella olevat ja sinne tulevat henkilöt käyttävät suojavarusteita.
- ◆ Älä polta maalia, sillä se voi sytyttää tulipalon.
- ◆ Älä anna maalin tarttua suuttimeen, sillä se voi syttyä jonkin ajan kuluttua palamaan.
- ◆ Katkaise laitteesta virta ja anna sen jäähtyä ennen lisälaitteiden liittämistä.

Öljypohjaisen maalin poistaminen

- ◆ Maalia poistettaessa on noudatettava äärimmäistä varovaisuutta. Hilseilevä maali, maalin jäämät ja höyryt voivat sisältää lyijyä, joka on myrkyllistä. Jos kohde on rakennettu ennen vuotta 1960, se on voitu maalata lyijyä sisältävällä maalilla. Maali on voitu peittää uusilla maalikerroksilla. Pinnan koskettaminen kädellä ja käden vieminen suuhun voi johtaa lyijyn nielemiseen.
- ◆ Pienillekin lyijymäärille altistuminen voi aiheuttaa peruuttamatonta vahinkoa aivoille ja hermostolle. Vaarallisinta lyijymyrkytys on lapsille ja raskaana oleville naisille.
- ◆ Ennen työn aloittamista on tärkeää selvittää, sisältääkö poistettava maali lyijyä. Sen voi tehdä käyttämällä testisarjaa tai kääntymällä alan ammattilaisen puoleen. Älä tupakoi, syö tai juo työalueella, joka voi olla lyijyn saastuttama. Lyijypohjaisten maalien poistaminen pitäisi jättää ammattilaisen tehtäväksi eikä työhön pitäisi käyttää kuumailmapistoolia.

Muiden turvallisuus

- ◆ Tätä laitetta ei ole tarkoitettu sellaisten henkilöiden käyttöön, joilla on fyysisiä tai älyllisiä rajoitteita tai aistirajoitteita, eikä laitteen toimintaan perehtymättömien henkilöiden käyttöön (lapset mukaan luettuina), paitsi valvonnan alaisina tai jos he ovat saaneet laitteen käyttöön liittyvää opastusta heidän turvallisuudestaan vastaavalta henkilöltä.
- ◆ Lapsia on valvottava ja heitä on estettävä leikkimästä laitteella.

Muut riskit.

Muut riskit ovat mahdollisia, jos käytät työkalua muulla kuin turvavaroituksissa mainitulla tavalla. Nämä riskit voivat liittyä muun muassa virheelliseen tai pitkäaikaiseen käyttöön.

Tiettyjä jäännösriskejä ei voi välttää, vaikka noudatetaan kaikkia turvamääräyksiä ja käytetään turvalaitteita. Näihin kuuluvat muun muassa

- ◆ pyörivien tai liikkuvien osien koskettamisen aiheuttamat vahingot
- ◆ osia, teriä tai lisävarusteita vaihdettaessa aiheutuneet vahingot
- ◆ työkalun pitkäaikaisen käytön aiheuttamat vahingot
Kun käytät työkalua pitkään, varmista, että pidät säännöllisesti taukoja.
- ◆ kuulovauriot
- ◆ työkalua käytettäessä (esimerkiksi puuta, erityisesti tammea, pyökiä ja MDF-levyjä, käsiteltäessä) syntyneen pölyn sisäänhengityksen aiheuttamat terveysriskit.

Työkalussa olevat merkinnät

Työkalussa on seuraavat kuvamerkinnot:



Varoitus! Käyttäjän on luettava käyttöohje vahinkojen välttämiseksi.

Sähköturvallisuus



Tämä laite on kaksoiseristetty, joten erillistä maadoitusta ei tarvita. Tarkista aina, että virtalähde vastaa arvokilvessä ilmoitettua jännitettä.

- ◆ Jos virtajohto vahingoittuu, sen vaihtaminen tulee turvallisuussyistä jättää valmistajan tai valtuutetun Black & Decker -huollon tehtäväksi.

Jatkojohdot

- ◆ Koska kuumailmapistooli on kaksoiseristetty II-luokan laite, siinä voidaan käyttää 2- tai 3-johtimista virtajohtoa.
- ◆ Jopa 30 m pituisia jatkojohtoa voidaan käyttää tehon vähenemättä.

Yleiskuvaus

Tässä työkalussa on joitakin tai kaikki seuraavista ominaisuuksista.

1. Virtakytkin
2. Suutin

Kokoaminen

Varoitus! Varmista ennen kokoamista, että virta on katkaistu ja että virtajohto on irti pistoraslasta.

Lisävarusteen kiinnittäminen

Paikalliselta jälleenmyyjältä on saatavilla erilaisia lisävarusteita.

- **Supistussuutin:** Keskittää ilmavirran pienemmälle alueelle.

- **Kalanpyrstösuutin:** Levittää ilmavirran suuremmalle alueelle.
- **Heijastinsuutin:** Tarkoitettu putkien juottamiseen.
- **Lasinsuojasuutin:** Tarkoitettu lasin suojaamiseen maalin poiston aikana.
- **Kaavin:** Tarkoitettu maalin ja lakan poistamiseen.
- ◆ Kiinnitä lisälaitteen liitoskappale suuttimen yläpuolelle (2).

Käyttö

Käynnistäminen ja pysäyttäminen

- ◆ Voit käynnistää työkalun pienellä ilmanopeudella ja alhaisella lämmöllä kääntämällä virtakytkimen asentoon I.
- ◆ Voit käynnistää työkalun suurella ilmanopeudella ja korkealla lämmöllä kääntämällä virtakytkimen asentoon II.
- ◆ Voit pysäyttää laitteen kääntämällä virtakytkimen asentoon O.

Työkalun käyttäminen

Käyttöturvallisuuden lisäämiseksi työkalu on varustettu termostaateilla. Työkalun jatkuva ja pitkäaikainen käyttö tai muu vakava rasitus voi johtaa työkalun ylikuumentumiseen ja sen toiminnan keskeytymiseen. Siksi suosittelemme, että annat työkalun jäähtyä säännöllisin aikaväleihin käytön aikana.

- ◆ Anna työkalun lämmetä muutamia sekunteja ennen käyttöä.
- ◆ Ensimmäisellä käyttökerralla suuttimesta voi tulla hieman savua. Se on normaalia ja vähenee pian.
- ◆ Käytä matalaa lämpötilaa maalin ja lakan kuivaamiseen, tarrojen poistamiseen, eristeputkien kutistamiseen ja jäätyneiden putkien sulattamiseen.
- ◆ Käytä korkeaa lämpötilaa maalien ja lakkojen poistamiseen ja putkiliiosten juottamiseen.
- ◆ Jos olet epävarma työkalun sopivuudesta jonkin materiaalin käsittelyyn, aloita matalalla lämmöllä ja kokeile käyttöö materiaalin palaseen.

Käyttö kädet vapaina (kuva A)

Työkalussa on telineen paikat (3), joiden avulla sitä voidaan käyttää kädet vapaina.

- ◆ Aseta työkalu suutin ylöspäin pinnalle, jossa se ei pääse kaatumaan.
- ◆ Kiinnitä johto niin, ettei se vedä työkalua irti telineestä.

Varoitus! Suuntaa työkalu aina pois päin itsestäsi tai muista ihmisistä. Älä koske suuttimeen. Huolehdi, ettei mitään putoa suuttimen sisään.

Maalin poistaminen

- ◆ Kuumenna maali suuntaamalla kuuma ilma työalueeseen.
- ◆ Älä polta maalia. Pidä suutin vähintään 25 mm:n etäisyydellä pinnasta.

- ◆ Poista maali kaapimella sen pehmenneenä. Kaavi pehmentynyt maali välittömästi tai muutoin se kovettuu uudelleen.
- ◆ Kaavi aina kun mahdollista puun syiden suuntaisesti.
- ◆ Älä anna maalin ja roskien kerääntyä kaapimeen.
- ◆ Kun kaavit pystysuunnassa, kaavi alaspäin, jotta maalia ei putoa suuttimen sisään.
- ◆ Kun poistat maalia lasin vieressä olevalta pinnalta, tee tarpeelliset toimenpiteet lasin suojaamiseksi kuumuudelta.

Varoitus! Käytä lasinsuojasuutinta poistaessasi maalia metalli- tai puupinnoilla ikkunoiden ympäriltä.

- ◆ Hävitä kaikki maalinjätteet turvallisesti ja varmista, että työalue on täysin puhdas käytön jälkeen.

Jäähdyttäminen

Käytön aikana työkalun suutin kuumenee erittäin voimakkaasti. Anna työkalun jäähtyä sammuttamisen jälkeen vähintään 30 minuutin ajan.

- ◆ Aseta työkalu suutin ylöspäin pinnalle, jossa se ei pääse kaatumaan.
- ◆ Voit lyhentää jäähtymisaikaa käyttämällä työkalua alhaisella minimilämmöllä joitakin minutteja ennen sammuttamista.

Huolto

Black & Decker -laitteesi on suunniteltu toimimaan mahdollisimman pitkään mahdollisimman vähällä huollolla. Oikealla huollolla ja säännöllisellä puhdistuksella laite säilyttää toimintakuntonsa.

Varoitus! Katkaise laitteesta virta, irrota virtajohto pistorasiasta ja anna laitteen jäähtyä aina ennen huoltotoimenpiteitä.

- ◆ Puhdista laitteen ilma-aukot säännöllisesti pehmeällä harjalla tai kuivalla rievulla.
- ◆ Käytä laitteen puhdistukseen vain mietoja saippuainuusia ja kosteaa liinaa. Älä koskaan käytä puhdistamiseen liuotainaineita tai syövyttäviä puhdistusaineita. Älä päästä laitteen sisään nestettä äläkä upota sitä nesteeseen edes osittain.

Virtapistokkeen vaihto (vain Iso-Britannia ja Irlanti)

Jos joudut vaihtamaan virtapistokkeen:

- ◆ Hävitä vanha pistoke ympäristöystävällisesti.
- ◆ Liitä ruskea johto uuden pistokkeen jännitteeseen napaan.
- ◆ Liitä sininen johto tähtipisteliitimeen.

Varoitus! Maadoitusliittimeen ei liitetä johtoa. Noudata pistokkeen mukana toimitettuja kiinnitysohjeita. Suositeltava sulake: 13 A.

Ympäristönsuojelu



Erillinen keräys. Tätä tuotetta ei saa hävittää normaalin kotitalousjätteen mukana.

Kun Black & Decker -laitteesi aikanaan täytyy vaihtaa tai ei kelpaa enää käyttöön, älä hävitä laitetta kotitalousjätteen mukana. Toimita laite kierrätettäväksi.



Käytettyjen tuotteiden ja pakkausmateriaalien erilliskeruun avulla materiaalit voidaan kierrättää ja käyttää uudelleen. Kierrätysmateriaalien käyttö auttaa vähentämään ympäristön saastumista ja uusien raaka-aineiden tarvetta.

Paikallisissa säädöksissä voidaan määrätä, että kodin sähkötuotteiden keruu tapahtuu kaupunkien jätteenkäsittelyasemilla tai laitteita myyvissä liikkeissä uuden tuotteen oston yhteydessä.

Kun laitteesi on käytetty loppuun, älä hävitä sitä tavallisten roskien mukana, vaan vie se paikkakuntasi kierrätyskeskukseen tai jätä se valtuutettuun Black & Deckerin huoltoliikkeeseen.

Saat valtuutettujen huoltoliikkeiden yhteystiedot ottamalla yhteyden Black Decker Oy:hyn tässä käyttöoppaassa ilmoitetussa osoitteessa. Valtuutettujen Black & Decker -huoltoliikkeiden yhteystiedot sekä lisätietoja palveluistamme ja takuuehdoista on myös Internetissä osoitteessa www.2helpU.com.

Tekniset tiedot

		KX1650 (Tyyppi 1)
Syöttöjännite	V _{ac}	230
Rakenne		Luokka II
Ottoteho	W	1750
Lämpöalue	°C	460 - 600
Paino	kg	0,6

Takuu

Black & Decker takaa, ettei tuotteessa ole materiaali- ja/tai valmistusvikaa silloin, kun se toimitetaan ostajalle. Takuu on lisäys kuluttajan laillisiin oikeuksiin eikä vaikuta niihin. Takuu on voimassa Euroopan unionin jäsenmaissa ja Euroopan vapaakauppa-alueella (EFTA).

Mikäli Black & Decker -kone hajoaa materiaali- ja/tai valmistusvirheen tai teknisten tietojen epätarkkuuden vuoksi 24 kk:n kuluessa ostopäivästä, Black & Decker korjaa koneen ilman kustannuksia ostajalle tai vaihtaa sen Black & Decker Oy:n valinnan mukaan. Takuu ei kata vikoja, jotka johtuvat seuraavista:

- ◆ Tuotetta on käytetty kaupallisesti, ammattimaisesti tai vuokraukseen.
- ◆ Tuotetta on käytetty tai hoidettu virheellisesti.
- ◆ Tuotetta on vahingoitettu vieraalla esineellä tai aineella tai se on ollut onnettomuudessa.
- ◆ Jos korjauksia on yrittänyt joku muu kuin Black & Deckerin valtuuttama edustaja tai Black & Deckerin henkilökunta.

Edellytyksenä takuun saamiselle on, että ostaja jättää koneen ja ostokuitin jälleenmyyjälle tai valtuutetulle huoltoliikkeelle.

Saat valtuutettujen huoltoliikkeiden yhteystiedot ottamalla yhteyden Black & Decker Oy:hyn tässä käyttöoppaassa ilmoitetussa osoitteessa. Valtuutettujen Black & Decker -huoltoliikkeiden yhteystiedot sekä lisätietoja palveluistamme ja takuuehdoista on myös Internetissä osoitteessa www.2helpU.com.

Voit rekisteröidä uuden Black & Decker -tuotteesi ja tarkastella tietoja uusista tuotteista ja erikoistarjouksista verkkosivuiltamme www.blackanddecker.fi. Saat lisätietoja Black & Deckerin tavaramerkistä ja tuotevalikoimastamme osoitteesta www.blackanddecker.fi.

Ενδεδειγμένη χρήση

Το θερμικό πιστόλι Black & Decker έχει σχεδιαστεί για διάφορες εφαρμογές θέρμανσης, όπως αφαίρεση χρώματος. Αυτό το προϊόν προορίζεται μόνο για ερασιτεχνική χρήση σε εσωτερικούς χώρους.

Οδηγίες ασφαλείας

Γενικές προειδοποιήσεις ασφαλείας για τα ηλεκτρικά εργαλεία



Προειδοποίηση! Διαβάστε όλες τις υποδείξεις και όλες τις οδηγίες. Η μη τήρηση των παρακάτω προειδοποιήσεων και οδηγιών μπορεί να προκαλέσει ηλεκτροπληξία, πυρκαγιά ή/και σοβαρούς τραυματισμούς.

Φυλάξτε όλες τις προειδοποιήσεις και τις οδηγίες για μελλοντική αναφορά. Ο χαρακτηρισμός "ηλεκτρικό εργαλείο" που χρησιμοποιείται σε όλες τις παρακάτω προειδοποιήσεις αφορά είτε το εργαλείο που συνδέεται στην πρίζα (με καλώδιο) είτε το εργαλείο που λειτουργεί με μπαταρία (χωρίς καλώδιο).

1. Ασφάλεια χώρου εργασίας

- a. Διατηρείτε το χώρο που εργάζεστε καθαρό και καλά φωτισμένο. Η αβία στο χώρο εργασίας και τα σημεία χωρίς καλό φωτισμό μπορεί να οδηγήσουν σε ατυχήματα.
- b. **Μη χρησιμοποιείτε ηλεκτρικά εργαλεία σε περιβάλλον όπου υπάρχει κίνδυνος έκρηξης, π.χ. παρουσία εύφλεκτων υγρών, αερίων ή σκόνης.** Τα ηλεκτρικά εργαλεία μπορεί να δημιουργήσουν σπινθηρισμό ο οποίος μπορεί να αναφλέξει τη σκόνη ή τις αναθυμιάσεις.
- c. **Όταν χρησιμοποιείτε το ηλεκτρικό εργαλείο, κρατάτε τα παιδιά και τα υπόλοιπα άτομα μακριά από το χώρο εργασίας.** Σε περίπτωση που άλλα άτομα αποσπάσουν την προσοχή σας μπορεί να χάσετε τον έλεγχο του εργαλείου.

2. Ασφαλής χρήση ηλεκτρικού ρεύματος

- a. Το φως του καλωδίου του ηλεκτρικού εργαλείου πρέπει να ταιριάζει στην αντίστοιχη πρίζα. Δεν επιτρέπεται με κανέναν τρόπο η μετασκευή του φως. **Μη χρησιμοποιείτε φως προσαρμογής με γειωμένα ηλεκτρικά εργαλεία.** Τα φως που δεν έχουν υποστεί τροποποιήσεις και οι κατάλληλες πρίζες μειώνουν τον κίνδυνο ηλεκτροπληξίας.
- b. Αποφύγετε την επαφή του σώματός σας με γειωμένες επιφάνειες όπως σωλήνες, θερμαντικά σώματα (καλοριφέρ), κουζίνες και ψυγεία. Όταν το σώμα σας είναι γειωμένο, αυξάνεται ο κίνδυνος ηλεκτροπληξίας.

- c. **Μην εκθέτετε τα ηλεκτρικά εργαλεία στη βροχή ή την υγρασία.** Η εισχώρηση νερού στο ηλεκτρικό εργαλείο αυξάνει τον κίνδυνο ηλεκτροπληξίας.
- d. **Μην κακομεταχειρίζεστε το καλώδιο. Μη χρησιμοποιείτε ποτέ το καλώδιο για να μεταφέρετε το εργαλείο, να το τραβήξετε ή να το αποσυνδέσετε από την πρίζα. Κρατάτε το καλώδιο μακριά από θερμότητα, λάδια, αιχμηρά άκρα ή κινούμενα μέρη.** Τυχόν χαλασμένα ή μπερδεμένα καλώδια αυξάνουν τον κίνδυνο ηλεκτροπληξίας.
- e. **Όταν χρησιμοποιείτε το ηλεκτρικό εργαλείο σε εξωτερικούς χώρους, να χρησιμοποιείτε πάντοτε καλώδια προέκτασης κατάλληλα για χρήση σε εξωτερικούς χώρους.** Η χρήση προεκτάσεων κατάλληλων για εργασία σε εξωτερικούς χώρους μειώνει τον κίνδυνο ηλεκτροπληξίας.
- f. **Εάν η χρήση ενός ηλεκτρικού εργαλείου σε μία υγρή τοποθεσία είναι αναπόφευκτη, χρησιμοποιήστε μια Διάταξη Προστασίας Ρεύματος Διαρροής (RCD).** Η χρήση μιας διάταξης RCD μειώνει τον κίνδυνο ηλεκτροπληξίας.

3. Ασφάλεια προσώπων

- a. **Όταν χρησιμοποιείτε το ηλεκτρικό εργαλείο, να είστε προσεκτικοί, να δίνετε προσοχή στην εργασία που κάνετε και να επιστρατεύετε την κοινή λογική. Μη χρησιμοποιείτε το ηλεκτρικό εργαλείο όταν είστε κουρασμένοι ή όταν βρισκόστε υπό την επήρεια ναρκωτικών, οινοπνεύματος ή φαρμάκων.** Μια στιγμή απροσεξία κατά το χειρισμό του ηλεκτρικού εργαλείου μπορεί να οδηγήσει σε σοβαρούς τραυματισμούς.
- b. **Να χρησιμοποιείτε εξοπλισμό προσωπικής προστασίας. Να φοράτε πάντα προστατευτικά γυαλιά.** Ο κίνδυνος τραυματισμών μειώνεται όταν χρησιμοποιείτε εξοπλισμό προστασίας, όπως μάσκα προστασίας από σκόνη, αντιοισθητικά παπούτσια ασφαλείας, κράνη ή ωαποπίδες, ανάλογα με τις συνθήκες εργασίας.
- c. **Αποφύγετε την ακούσια ενεργοποίηση. Βεβαιωθείτε ότι ο διακόπτης λειτουργίας βρίσκεται στη θέση "OFF" πριν συνδέσετε το εργαλείο στην πρίζα ή/και τοποθετήσετε τη μπαταρία, πριν το σηκώσετε ή το μεταφέρετε.** Η μεταφορά ηλεκτρικών εργαλείων με το δάχτυλό σας επάνω στο διακόπτη ή η σύνδεση στην πρίζα ηλεκτρικών εργαλείων με το διακόπτη στη θέση ενεργοποίησης, ενέχει κινδύνους πρόκλησης ατυχημάτων.
- d. **Πριν θέσετε το ηλεκτρικό εργαλείο σε λειτουργία, αφαιρέστε τυχόν εργαλεία ή κλειδιά ρύθμισης.** Εάν αφήσετε ένα εργαλείο ή κλειδί πάνω σε κάποιο περιστρεφόμενο εξάρτημα του ηλεκτρικού εργαλείου μπορεί να προκληθούν τραυματισμοί.

- e. Μην τεντώνεστε. Φροντίστε πάντοτε να έχετε την κατάλληλη στάση και να διατηρείτε την ισορροπία σας. Αυτό σας επιτρέπει τον καλύτερο έλεγχο του ηλεκτρικού εργαλείου σε περιπτώσεις απροσδόκητων καταστάσεων.
- f. Φοράτε κατάλληλη ενδυμασία εργασίας. Μη φοράτε φαρδιά ρούχα ή κοσμήματα. Κρατάτε τα μαλλιά, τα ενδύματα και τα γάντια σας μακριά από τα κινούμενα εξαρτήματα. Τα φαρδιά ρούχα, τα κοσμήματα και τα μακριά μαλλιά μπορεί να εμπλακούν στα κινούμενα εξαρτήματα.
- g. Αν προβλέπονται διατάξεις απαγωγής και συλλογής της σκόνης, βεβαιωθείτε ότι είναι συνδεδεμένες και ότι χρησιμοποιούνται σωστά. Η χρήση τέτοιων διατάξεων μειώνει τους κινδύνους που προέρχονται από τη σκόνη.
4. Χρήση και συντήρηση του ηλεκτρικού εργαλείου
- a. Μην υπερφορτώνετε το ηλεκτρικό εργαλείο. Χρησιμοποιείτε για την εκάστοτε εργασία σας το ηλεκτρικό εργαλείο που προορίζεται γι' αυτήν. Με το κατάλληλο ηλεκτρικό εργαλείο, εργάζεστε καλύτερα και ασφαλέστερα στην ονομαστική περιοχή ισχύος του.
- b. Μη χρησιμοποιήσετε ποτέ ένα ηλεκτρικό εργαλείο του οποίου ο διακόπτης λειτουργίας είναι χαλασμένος. Ένα ηλεκτρικό εργαλείο του οποίου η λειτουργία δεν μπορεί να ελεγχθεί με το διακόπτη είναι επικίνδυνο και πρέπει να επισκευαστεί.
- c. Βγάλετε το φως από την πρίζα ή/και την μπαταρία από το ηλεκτρικό εργαλείο, πριν διεξαγάγετε κάποια εργασία ρύθμισης, πριν αλλάξετε κάποιο εξάρτημα ή όταν πρόκειται να αποθηκεύσετε τα ηλεκτρικά εργαλεία. Αυτά τα προληπτικά μέτρα ασφαλείας μειώνουν τον κίνδυνο να θεθεί το εργαλείο ακούσια σε λειτουργία.
- d. Να φυλάτε τα ηλεκτρικά εργαλεία που δε χρησιμοποιείτε μακριά από παιδιά. Μην αφήνετε άτομα που δεν είναι εξοικειωμένα με το ηλεκτρικό εργαλείο ή που δεν έχουν διαβάσει αυτές τις οδηγίες χρήσης να το χρησιμοποιήσουν. Τα ηλεκτρικά εργαλεία είναι επικίνδυνα όταν χρησιμοποιούνται από άπειρα άτομα.
- e. Να συντηρείτε τα ηλεκτρικά εργαλεία. Ελέγξτε εάν τα κινούμενα εξαρτήματα είναι σωστά ευθυγραμμισμένα ή αν έχουν μπλοκάρει, εάν έχουν σπάσει κομμάτια και εάν πληρούνται όλες οι υπόλοιπες προϋποθέσεις που ενδεχομένως να επηρεάσουν τη σωστή λειτουργία του εργαλείου. Δώστε τυχόν χαλασμένα εξαρτήματα του ηλεκτρικού εργαλείου για επισκευή πριν το χρησιμοποιήσετε πάλι. Η ανεπαρκής συντήρηση των ηλεκτρικών εργαλείων αποτελεί αιτία πολλών ατυχημάτων.

- f. Διατηρείτε τα κοπτικά εργαλεία κοφτερά και καθαρά. Τα κοπτικά εργαλεία με αιχμηρά κοπτικά άκρα που συντηρούνται σωστά έχουν λιγότερες πιθανότητες να μπλοκάρουν και ελέγχονται ευκολότερα.
- g. Να χρησιμοποιείτε τα ηλεκτρικά εργαλεία, τα εξαρτήματα και τα άκρα των εργαλείων κλπ. σύμφωνα με τις παρούσες οδηγίες, λαμβάνοντας υπόψη σας τις συνθήκες εργασίας και την εργασία που θέλετε να εκτελέσετε. Η χρήση του ηλεκτρικού εργαλείου για εργασίες πέρα από τις προβλεπόμενες μπορεί να οδηγήσει σε επικίνδυνες καταστάσεις.

5. Σέρβις

- a. Το σέρβις του ηλεκτρικού σας εργαλείου πρέπει να αναλαμβάνει έμπειρος τεχνικός που θα χρησιμοποιεί μόνο γνήσια ανταλλακτικά. Έτσι εξασφαλίζεται η διατήρηση της ασφάλειας του ηλεκτρικού εργαλείου.

Συμπληρωματικές προειδοποιήσεις ασφαλείας για τα ηλεκτρικά εργαλεία



Προειδοποίηση! Συμπληρωματικές οδηγίες ασφαλείας για τα θερμικά πιστόλια.

- Προειδοποίηση:** Να μην χρησιμοποιείται στην ύπαιθρο, μόνο για χρήση σε εσωτερικούς χώρους.
- Προειδοποίηση:** Όταν δε χρησιμοποιείται αυτή η συσκευή, πρέπει να τοποθετείται στη βάση της.
- Προειδοποίηση:** Εάν η συσκευή δεν χρησιμοποιηθεί με προσοχή, υπάρχει κίνδυνος πυρκαγιάς. Για αυτόν το λόγο, θα πρέπει να προσέχετε όταν χρησιμοποιείτε τη συσκευή σε χώρους όπου υπάρχουν εύφλεκτα υλικά.
- ◆ Μην εφαρμόζετε θερμότητα στο ίδιο σημείο για παρατεταμένο χρονικό διάστημα.
 - ◆ Μην χρησιμοποιείτε τη συσκευή σε περιβάλλον όπου υπάρχει ο κίνδυνος έκρηξης.
 - ◆ Έχετε υπόψη σας ότι η θερμότητα μπορεί να μεταδοθεί σε εύφλεκτα υλικά τα οποία δεν είναι ορατά.
 - ◆ Μετά τη χρήση, τοποθετήστε τη συσκευή στη βάση της και αφήστε την να κρυώσει πριν την αποθηκεύσετε.
 - ◆ Μην αφήνετε τη συσκευή χωρίς επίτηρηση όταν είναι ενεργοποιημένη.
 - ◆ Μην φράσσετε τις θυρίδες εισαγωγής αέρα ή το στόμιο εξόδου του ακροφυσίου, καθώς αυτό μπορεί να επιφέρει υπερβολική συγκέντρωση θερμότητας, με αποτέλεσμα την πρόκληση ζημιάς στη συσκευή.
 - ◆ Μην κατευθύνετε τη ροή ζεστού αέρα προς άλλα άτομα ή ζώα.
 - ◆ Μην αγγίζετε το ακροφύσιο, καθώς αναπτύσσει πολύ υψηλή θερμοκρασία κατά τη χρήση και παραμένει ζεστό για έως και 30 λεπτά μετά τη χρήση.
 - ◆ Μην τοποθετείτε το ακροφύσιο επάνω σε οποιοδήποτε αντικείμενο κατά τη χρήση ή αμέσως μετά τη χρήση.

- ◆ Μην εισαγάγετε αντικείμενα στον εσωτερικό σωλήνα του ακροφυσίου, καθώς υπάρχει κίνδυνος ηλεκτροπληξίας.
- ◆ Μην κοιτάξετε μέσα στον εσωτερικό σωλήνα του ακροφυσίου όταν η συσκευή είναι ενεργοποιημένη.
- ◆ Μη χρησιμοποιείτε τη συσκευή ως πιστολάκι για τα μαλλιά! Η θερμοκρασία του αέρα είναι πολύ μεγαλύτερη από αυτή που παρέχει ένα πιστολάκι.
- ◆ Εξασφαλίστε επαρκή εξαερισμό κατά τη χρήση, καθώς υπάρχει κίνδυνος να δημιουργηθούν τοξικές αναθυμιάσεις.
- ◆ Μην χρησιμοποιείτε τη συσκευή σε περιβάλλον με υψηλή υγρασία.
- ◆ Κατά τις εργασίες αφαίρεσης χρώματος, να διασφαλίζετε ότι ο χώρος εργασίας είναι κλειστός. Φορέστε μάσκα σκόνης ειδικά σχεδιασμένη για προστασία έναντι της σκόνης και των αναθυμιάσεων από χρώματα με μόλυβδο και βεβαιωθείτε ότι τα άτομα που βρίσκονται ή εισέρχονται στο χώρο εργασίας είναι επίσης προστατευμένα.
- ◆ Μην καίτε το χρώμα, καθώς υπάρχει κίνδυνος πρόκλησης πυρκαγιάς.
- ◆ Μην αφήνετε να κολλήσει χρώμα στο ακροφύσιο, καθώς υπάρχει περίπτωση το χρώμα να αναφλεγεί μετά από κάποιο χρόνο.
- ◆ Απενεργοποιήστε τη συσκευή και αφήστε την να κρυώσει, πριν τοποθετήσετε οποιοδήποτε εξάρτημα.

Αφαίρεση χρώματος με βάση το μόλυβδο

- ◆ Απαιτείται ιδιαίτερα μεγάλη προσοχή κατά την αφαίρεση χρώματος. Τα "φλούδια", τα υπολείμματα και οι αναθυμιάσεις του χρώματος μπορεί να περιέχουν μόλυβδο, ο οποίος είναι δηλητηριώδης. Τα κτήρια που κατασκευάστηκαν πριν το 1960 μπορεί στο παρελθόν να έχουν βαφτεί με χρώμα που περιείχε μόλυβδο. Αυτό το χρώμα ίσως να έχει καλυφθεί με επιπλέον στρώσεις χρώματος. Εφόσον έχει επικαθίσει στις διάφορες επιφάνειες, μπορεί να οδηγήσει σε ακούσια κατάποση μολύβδου μέσω της επαφής των χεριών με το στόμα.
- ◆ Η έκθεση ακόμα και σε χαμηλά επίπεδα μολύβδου μπορεί να προκαλέσει μη αναστρέψιμες βλάβες στον εγκέφαλο και το νευρικό σύστημα. Το μεγαλύτερο κίνδυνο δηλητηρίασης από μόλυβδο διατρέχουν τα παιδιά και οι έγκυες γυναίκες.
- ◆ Πριν ξεκινήσετε να εργάζεστε, είναι πολύ σημαντικό να εξακριβώσετε εάν το χρώμα που θα αφαιρέσετε περιέχει μόλυβδο. Αυτό μπορεί να γίνει με χρήση ενός kit δοκιμών ή από έναν επαγγελματία διακοσμητή. Μην καπνίζετε, μην τρώτε και μην πίνετε σε χώρους εργασίας όπου υπάρχει κίνδυνος να έχουν μολυνθεί από μόλυβδο. Τα χρώματα με βάση το μόλυβδο πρέπει να αφαιρούνται μόνο από επαγγελματίες και χωρίς τη χρήση θερμικού πιστολιού.

Ασφάλεια τρίτων

- ◆ Αυτή η συσκευή δεν προορίζεται για χρήση από άτομα (στα οποία περιλαμβάνονται και τα παιδιά) με μειωμένες φυσικές, αντιληπτικές ή διανοητικές ικανότητες ή άτομα χωρίς εμπειρία και γνώσεις, παρά μόνο εφόσον επιτηρούνται ή τους έχουν δοθεί οδηγίες σχετικά με τη χρήση του εργαλείου από άτομο υπεύθυνο για την ασφάλειά τους.
- ◆ Τα παιδιά πρέπει να επιτηρούνται για να διασφαλίζεται ότι δεν παίζουν με τη συσκευή.

Αναπόφευκτο κίνδυνο.

Μπορεί να προκληθούν επιπρόσθετοι αναπόφευκτοι κίνδυνοι όταν χρησιμοποιείτε το εργαλείο οι οποίοι μπορεί να μη συμπεριλαμβάνονται στις προειδοποιήσεις ασφαλείας που εσωκλείονται. Αυτοί οι κίνδυνοι μπορεί να προκληθούν από κακή χρήση, παρατεταμένη χρήση κτλ.

Ακόμα και με την τήρηση των σχετικών κανονισμών ασφαλείας και τη χρήση μέσων προστασίας, ορισμένοι κίνδυνοι δεν είναι δυνατό να εξαλειφθούν. Αυτοί περιλαμβάνουν:

- ◆ **Τραυματισμούς από το άγγιγμα των περιστρεφόμενων/κινούμενων μερών.**
- ◆ **Τραυματισμούς από αλλαγή οποιωνδήποτε εξαρτημάτων, λεπίδων ή αξεσουάρ.**
- ◆ **Τραυματισμούς από παρατεταμένη χρήση του εργαλείου. Όταν χρησιμοποιείτε οποιοδήποτε εργαλείο για παρατεταμένες χρονικές περιόδους βεβαιωθείτε ότι κάνετε τακτικά διαλείμματα.**
- ◆ **Προβλήματα ακοής.**
- ◆ **Κίνδυνοι στην υγεία που προκαλούνται από την εισπνοή σκόνης όταν χρησιμοποιείτε το εργαλείο (παράδειγμα:- όταν επεξεργάζεστε ξύλο, ειδικά δρυ, οξιά και MDF.)**

Ετικέτες στο εργαλείο

Τα ακόλουθα εικονογράμματα εμφανίζονται στο εργαλείο:



Προειδοποίηση! Για να μειωθεί ο κίνδυνος τραυματισμού, ο χρήστης πρέπει να διαβάσει το εγχειρίδιο οδηγιών.

Ασφαλής χρήση ηλεκτρικού ρεύματος



Αυτό το εργαλείο διαθέτει διπλή μόνωση, επομένως δεν απαιτείται καλώδιο γείωσης. Ελέγχετε πάντοτε αν η τάση τροφοδοσίας αντιστοιχεί σε αυτήν που αναγράφεται στην πινακίδα στοιχείων.

- ◆ Αν το καλώδιο ρεύματος έχει υποστεί φθορά, πρέπει να αντικατασταθεί από τον κατασκευαστή ή από ένα εξουσιοδοτημένο κέντρο τεχνικής εξυπηρέτησης της Black & Decker, για την αποφυγή κινδύνων.

Καλώδια προέκτασης

- ◆ Επειδή η συσκευή σας φέρει διπλή μόνωση και είναι κατασκευής κλάσης II, μπορεί να χρησιμοποιηθεί καλώδιο 2 ή 3 αγωγών.
- ◆ Μπορούν να χρησιμοποιηθούν καλώδια προέκτασης μήκους μέχρι 30 μέτρων χωρίς πτώση τάσης.

Χαρακτηριστικά

Το εργαλείο αυτό διαθέτει μερικά ή όλα από τα παρακάτω χαρακτηριστικά.

1. Διακόπτης on/off
2. Ακροφύσιο

Συναρμολόγηση

Προειδοποίηση! Πριν από τη συναρμολόγηση, βεβαιωθείτε ότι το εργαλείο είναι απενεργοποιημένο και ότι το φως δεν είναι στην πρίζα.

Τοποθέτηση εξαρτήματος

Μια επιλεγμένη σειρά εξαρτημάτων διατίθεται από τον τοπικό σας έμπορο.

- **Κωνικό ακροφύσιο:** Συγκεντρώνει το ρεύμα αέρα σε μια μικρότερη περιοχή.
- **Ακροφύσιο σχήματος ουράς ψαριού:** Απλώνει το ρεύμα αέρα σε μια πλατύτερη περιοχή
- **Ημικυκλικός ανακλαστήρας:** Για συγκόλληση σωλήνων.
- **Προστασία γυαλιού:** Για την προστασία γυάλινων επιφανειών κατά την αφαίρεση χρώματος.
- **Ξύστρα:** Για την απομάκρυνση και αφαίρεση χρώματος και βερνικιού.
- ◆ Προσαρμόστε το συνδετικό τεμάχιο του εξαρτήματος στο ακροφύσιο (2).

Χρήση

Ενεργοποίηση και απενεργοποίηση του εργαλείου

- ◆ Για να ενεργοποιήσετε το εργαλείο στη χαμηλή ταχύτητα αέρα, σε χαμηλή θερμοκρασία, θέστε το διακόπτη on/off στη θέση I.
- ◆ Για να ενεργοποιήσετε το εργαλείο στην υψηλή ταχύτητα αέρα, σε υψηλή θερμοκρασία, θέστε το διακόπτη on/off στη θέση II.
- ◆ Για να απενεργοποιήσετε το εργαλείο, θέστε το διακόπτη on/off στη θέση O.

Χρήση του εργαλείου

Για την ασφάλειά σας, το εργαλείο σας είναι εξοπλισμένο με ένα θερμοστάτι. Η συνεχής χρήση του εργαλείου για πολύ μεγάλα χρονικά διαστήματα ή για άλλους κύκλους λειτουργίας βαρέως τύπου μπορεί να προκαλέσει την υπερθέρμανση του εργαλείου και τη διακοπή λειτουργίας του. Ως εκ τούτου, συνιστάται να αφήνετε το εργαλείο να κρυώνει σε τακτά χρονικά διαστήματα κατά τη χρήση.

- ◆ Αφήστε το εργαλείο να ζεσταθεί για μερικά δευτερόλεπτα πριν τη χρήση.
- ◆ Κατά την πρώτη χρήση, ίσως να παρατηρηθεί καπνός από το ακροφύσιο. Αυτό είναι φυσιολογικό και σύντομα θα περιοριστεί.
- ◆ Χρησιμοποιήστε τη ρύθμιση χαμηλής θερμοκρασίας για στέγνωμα χρώματος και βερνικιού, αφαίρεση αυτοκόλλητων, συρρίκνωση μονωτικών σωληνοειδών περιβλημάτων και απόψυξη παγωμένων σωλήνων.
- ◆ Χρησιμοποιήστε τη ρύθμιση υψηλής θερμοκρασίας για αφαίρεση χρωμάτων και λούστρων, καθώς και για συγκόλληση ενώσεων σε υδραυλικές εγκαταστάσεις.
- ◆ Εάν δεν είστε βέβαιοι για τη χρήση αυτού του εργαλείου σε ένα συγκεκριμένο υλικό, ξεκινήστε με ρύθμιση χαμηλής θερμοκρασίας και κάντε μια δοκιμή σε ένα άχρηστο κομμάτι του υλικού.

Χρήση χωρίς χέρια (εικ. Β)

Το εργαλείο διαθέτει θέσεις βάσης (3) για να διευκολύνει τη χρήση του χωρίς χέρια.

- ◆ Τοποθετήστε το εργαλείο με το ακροφύσιο προς τα επάνω σε μια επιφάνεια όπου δεν μπορεί να ανατραπεί.
- ◆ Στερεώστε το καλώδιο ώστε να μην μπορεί να τραβήξει το εργαλείο από τη βάση του.

Προειδοποίηση! Πάντοτε να έχετε στραμμένο το εργαλείο προς την αντίθετη κατεύθυνση από εσάς ή άλλα άτομα. Μην αγγίζετε το ακροφύσιο. Προσέχετε να μην πέσουν υλικά μέσα στο ακροφύσιο.

Αφαίρεση χρώματος

- ◆ Κατευθύνετε το ρεύμα ζεστού αέρα προς την περιοχή εργασίας για να ζεσταθεί το χρώμα.
- ◆ Μην κάψετε το χρώμα. Κρατήστε το ακροφύσιο σε απόσταση τουλάχιστον 25 mm από την επιφάνεια.
- ◆ Όταν το χρώμα μαλακώσει, αφαιρέστε το χρησιμοποιώντας ξύστρα. Ξύστε το μαλακό χρώμα αμέσως γιατί, διαφορετικά, θα σκληρύνει ξανά.
- ◆ Να ξύνετε πάντα σύμφωνα με τη φορά των "νερών" του ξύλου, όποτε αυτό είναι δυνατό.
- ◆ Μην αφήνετε να μαζεύονται ακαθαρσίες και χρώμα πάνω στην ξύστρα.
- ◆ Όταν ξύνετε από κάθετη θέση, να ξύνετε με κατεύθυνση προς τα κάτω προκειμένου να εμποδιστεί να πέσει χρώμα μέσα στο ακροφύσιο.

- ◆ Κατά την αφαίρεση χρώματος από μια επιφάνεια δίπλα σε γυαλί, λάβετε τα απαραίτητα μέτρα για την προστασία του γυαλιού από τη θερμότητα.

Προειδοποίηση! Χρησιμοποιήστε ακροφύσιο με προστασία γυαλιού κατά την αφαίρεση χρώματος από παράθυρα με μεταλλικό ή ξύλινο κούφωμα.

- ◆ Απορρίψτε με ασφάλεια όλα τα κατάλοιπα χρώματος και βεβαιωθείτε ότι ο χώρος εργασίας έχει καθαριστεί σχολαστικά μετά τη χρήση.

Ψύξη

Κατά τη χρήση, το ακροφύσιο του εργαλείου ζεσταίνεται πάρα πολύ. Μετά την απενεργοποίηση, αφήστε το εργαλείο να κρυώσει για τουλάχιστον 30 λεπτά.

- ◆ Τοποθετήστε το εργαλείο με το ακροφύσιο προς τα επάνω σε μια επιφάνεια όπου δεν μπορεί να ανατραπεί.
- ◆ Για να επιταχύνετε το χρόνο ψύξης, λειτουργήστε το εργαλείο σε μια χαμηλή ρύθμιση ελάχιστης θερμοκρασίας για μερικά λεπτά πριν το απενεργοποιήσετε.

Συντήρηση

Αυτή η συσκευή της Black & Decker έχει σχεδιαστεί έτσι ώστε να λειτουργεί για μεγάλο χρονικό διάστημα με την ελάχιστη δυνατή συντήρηση. Η αδιάλειπτη και ικανοποιητική λειτουργία της συσκευής εξαρτάται από τη φροντίδα και τον τακτικό καθαρισμό της.

Προειδοποίηση! Πριν εκτελέσετε οποιαδήποτε εργασία συντήρησης στη συσκευή, απενεργοποιήστε τη συσκευή, αποσυνδέστε την από την πρίζα και αφήστε τη να κρυώσει.

- ◆ Να καθαρίζετε τακτικά τις εγχοπές εξαιρισμού του εργαλείου με μαλακή βούρτσα ή ένα στεγνό πανί.
- ◆ Για τον καθαρισμό της συσκευής, χρησιμοποιείτε μόνο ήπιο σαπούνι και ένα υγρό πανί. Μην χρησιμοποιείτε λιπαντικά υγρά καθαρισμού ή προϊόντα που περιέχουν διαλυτικά. Μην αφήσετε ποτέ να εισέλθει υγρό στο εσωτερικό της συσκευής και μην βυθίσετε ποτέ οποιοδήποτε μέρος της σε υγρό.

Αντικατάσταση του ρευματολήπτη (H.B. & Ιρλανδία μόνο)

Αν χρειαστεί να εγκαταστήσετε έναν καινούριο ρευματολήπτη (φίς):

- ◆ Απορρίψτε με ασφαλή τρόπο το παλιό φίς.
- ◆ Συνδέστε τον καφέ αγωγό στον ηλεκτροφόρο ακροδέκτη του νέου ρευματολήπτη.
- ◆ Συνδέστε τον μπλε αγωγό στον ουδέτερο ακροδέκτη.

Προειδοποίηση! Δε χρειάζεται καμία σύνδεση στον ακροδέκτη γείωσης. Ακολουθήστε τις οδηγίες τοποθέτησης που παρέχονται με τους καλής ποιότητας ρευματολήπτες (φίς). Προτεινόμενη ασφάλεια τήξης: 13 A.

Προστασία του περιβάλλοντος



Ξεχωριστή περισυλλογή. Αυτό το προϊόν δεν πρέπει να απορρίπτεται μαζί με τα κοινά οικιακά απορρίμματα.

Εάν κάποια μέρα διαπιστώσετε ότι το προϊόν σας Black & Decker χρειάζεται αντικατάσταση ή ότι δεν το χρειάζεστε άλλο, μην το απορρίψετε μαζί με τα κοινά οικιακά απορρίμματα, αλλά κάντε αυτό το προϊόν διαθέσιμο για ξεχωριστή περισυλλογή.



Η ξεχωριστή περισυλλογή των μεταχειρισμένων προϊόντων και των υλικών συσκευασίας επιτρέπει την ανακύκλωση και επαναχρησιμοποίηση των υλικών. Με την επαναχρησιμοποίηση των ανακυκλωμένων υλικών αποτρέπεται η μόλυνση του περιβάλλοντος και μειώνεται η ζήτηση πρώτων υλών.

Οι κανονισμοί που ισχύουν στην περιοχή σας ενδέχεται να προβλέπουν την ξεχωριστή περισυλλογή των ηλεκτρικών συσκευών που προέρχονται από νοικοκυριά σε δημοτικές εγκαταστάσεις ή από τον έμπορο όταν αγοράσετε ένα καινούργιο προϊόν.

Η Black & Decker δίνει τη δυνατότητα ανακύκλωσης των προϊόντων της που έχουν συμπληρώσει τη διάρκεια ζωής τους. Για να χρησιμοποιήσετε αυτήν την υπηρεσία, επιστρέψτε το προϊόν σας σε οποιοδήποτε εξουσιοδοτημένο κέντρο τεχνικής εξυπηρέτησης, όπου θα το παραλάβουν εκ μέρους μας.

Ενημερωθείτε για το πλησιέστερο εξουσιοδοτημένο κέντρο επισκευών της περιοχής σας, επικοινωνώντας με τα γραφεία της Black & Decker στη διεύθυνση που αναγράφεται στο εγχειρίδιο. Επίσης, μια λίστα με τα εξουσιοδοτημένα κέντρα επισκευών της Black & Decker και πλήρεις λεπτομέρειες για τις υπηρεσίες που παρέχονται μετά την πώληση καθώς και στοιχεία επικοινωνίας υπάρχουν στο Διαδίκτυο, στη διεύθυνση: www.2helpU.com

Τεχνικά χαρακτηριστικά

		KX1650 (Τύπος 1)
Τάση εισόδου	V_{ac}	230
Κατασκευή		Κλάσης II
Ισχύς εισόδου	W	1750
Εύρος θερμοκρασίας	$^{\circ}C$	460 - 600
Βάρος	kg	0,6

Εγγύηση

Η Black & Decker είναι σίγουρη για την ποιότητα των προϊόντων της και παρέχει μια εξαιρετική εγγύηση. Η παρούσα γραπτή εγγύηση αποτελεί πρόθετο δικαίωμά σας και δεν ζημιώνει τα νόμιμα δικαιώματά σας. Η εγγύηση ισχύει εντός της επικράτειας των Κρατών Μελών της Ευρωπαϊκής Ένωσης και της Ευρωπαϊκής Ζώνης Ελευθέρων Συναλλαγών.

Σε περίπτωση που κάποιο προϊόν της Black & Decker παρουσιάσει βλάβη εξαιτίας ελαττωματικών υλικών, ποιότητας εργασίας ή έλλειψης συμφωνίας με τις προδιαγραφές εντός 24 μηνών από την ημερομηνία αγοράς, η Black & Decker εγγυάται την αντικατάσταση των ελαττωματικών τμημάτων, την επισκευή προϊόντων που έχουν υποστεί εύλογη φθορά λόγω χρήσης ή την αντικατάσταση των προϊόντων προκειμένου να εξασφαλίσει την ελάχιστη ενόχληση στους πελάτες της, εκτός εάν:

- ◆ Το προϊόν έχει χρησιμοποιηθεί σε εργασιακό, επαγγελματικό περιβάλλον ή έχει νοικιαστεί.
- ◆ Έχει γίνει εσφαλμένη χρήση του προϊόντος ή έχει παραμεληθεί.
- ◆ Το προϊόν έχει υποστεί βλάβη από άλλα αντικείμενα, από ουσίες ή λόγω ατυχήματος.
- ◆ Έχει γίνει προσπάθεια επισκευής από μη εξουσιοδοτημένα κέντρα επισκευών ή από προσωπικό που δεν ανήκει στο προσωπικό της Black & Decker.

Για να ισχύσει η εγγύηση, πρέπει να υποβάλετε απόδειξη αγοράς στον πωλητή ή το εξουσιοδοτημένο κέντρο επισκευών. Ενημερωθείτε για το πλησιέστερο εξουσιοδοτημένο κέντρο επισκευών της περιοχής σας, επικοινωνώντας με τα γραφεία της Black & Decker στη διεύθυνση που αναγράφεται στο εγχειρίδιο. Επίσης, μια λίστα με τα εξουσιοδοτημένα κέντρα επισκευών της Black & Decker και πλήρεις λεπτομέρειες για τις υπηρεσίες που παρέχονται μετά την πώληση καθώς και στοιχεία επικοινωνίας υπάρχουν στο Διαδίκτυο, στη διεύθυνση: www.2helpU.com

Παρακαλούμε επισκεφθείτε την ιστοσελίδα μας www.blackanddecker.gr για να καταχωρήσετε το νέο σας προϊόν Black & Decker και για να ενημερώνεστε για τα νέα προϊόντα και τις ειδικές προσφορές. Περισσότερες πληροφορίες σχετικά με τη μάρκα Black & Decker και τη σειρά των προϊόντων μας θα βρείτε στη διεύθυνση www.blackanddecker.gr

ENGLISH

Do not forget to register your product!

www.blackanddecker.co.uk/productregistration
Register your product online at www.blackanddecker.co.uk/productregistration or send your name, surname and product code to Black & Decker in your country

DEUTSCH

Vergessen Sie nicht, Ihr Produkt registrieren zu lassen!

www.blackanddecker.de/productregistration
Lassen Sie Ihr Produkt unter www.blackanddecker.de/productregistration online registrieren oder schicken Sie Ihren Nachnamen, Vornamen und den Produktcode an Black & Decker in Ihrem Land.

FRANÇAIS

N'oubliez pas d'enregistrer votre produit !

www.blackanddecker.fr/productregistration
Enregistrez votre produit en ligne sur www.blackanddecker.fr/productregistration ou envoyez vos nom, prénom et code produit à Black & Decker dans votre pays.

ITALIANO

Non dimenticate di registrare il prodotto!

www.blackanddecker.it/productregistration
Registrate il prodotto online su www.blackanddecker.it/productregistration o inviate nome, cognome e codice del prodotto al centro Black & Decker del vostro paese.

NEDERLANDS

Vergeet niet uw product te registreren!

www.blackanddecker.nl/productregistration
U kunt uw product online registreren op www.blackanddecker.nl/productregistration of u kunt uw voornaam, achternaam en productcode opsturen naar Black & Decker in uw land.

ESPAÑOL

¡No olvide registrar su producto!

www.blackanddecker.es/productregistration
Registre su producto on-line en www.blackanddecker.es/productregistration o envíe su nombre, apellidos y código de producto a Black & Decker en su país.

PORTUGUÊS

Não se esqueça de registar o seu produto!

www.blackanddecker.pt/productregistration
Registe o seu produto online em www.blackanddecker.pt/productregistration ou envie o seu nome, apelido e código do produto para a Black & Decker no seu país.

SVENSKA

Glöm inte att registrera produkten!

www.blackanddecker.se/productregistration
Registrera produkten online på www.blackanddecker.se/productregistration eller skicka namn och produktkod till Black & Decker i landet du bor i.

NORSK

Ikke glem å registrere produktet ditt!

www.blackanddecker.no/productregistration
Registrer produktet ditt online på www.blackanddecker.no/productregistration, eller send ditt navn, etternavn og produktkode til Black & Decker i ditt eget land.

DANSK

Glem ikke at registrere dit produkt!

www.blackanddecker.dk/productregistration
Registrer dit produkt på internettet på: www.blackanddecker.dk/productregistration eller send dit navn, efternavn og produktkode til Black & Decker i dit eget land.

SUOMI

Muistathan rekisteröidä tuotteesi!

www.blackanddecker.fi/productregistration
Rekisteröi tuotteesi verkossa osoitteessa www.blackanddecker.fi/productregistration tai lähetä etunimesi, sukunimesi ja tuotekoodi oman maasi Black & Decker -edustajalle.

ΕΛΛΗΝΙΚΑ

Μην ξεχάσετε να καταχωρίσετε το προϊόν σας!

www.blackanddecker.gr/productregistration
Καταχωρίστε το προϊόν σας σε σύνδεση στη σελίδα www.blackanddecker.gr/productregistration ή στείλτε το όνομα, επίθετο σας και τον κωδικό πριονιώς στη Black & Decker στη χώρα σας.

België/Belgique	Black & Decker (Belgium) N.V. Nieuwlandlaan 321 3200 Aarschot	Tel. Fax	016 68 91 00 016 68 91 11
Danmark	Black & Decker Sluseholmen 2-4, 2450 København SV Internet: www.blackanddecker.dk	Tel. Fax	70 20 15 10 70 22 49 10
Deutschland	Black & Decker GmbH Black & Decker Str. 40, D - 65510 Idstein	Tel. Fax	06126/21 - 0 06126/21 29 80
Ελλάδα	Black & Decker (Ελλάς) Α.Ε. Στράβωνος 7 & Λεωφ. Βουλιαγμένης 159 166 74 Γλυφάδα - Αθήνα	Τηλ. Φαξ www.blackanddecker.eu	210 8981616 210 8983285
España	Black & Decker Ibérica, S.C.A. Parc de Negocis "Mas Blau" Edificio Muntadas, c/Bergadá, 1, Of. A6 08820 El Prat de Llobregat (Barcelona)	Tel. Fax	934 797 400 934 797 419
France	Black & Decker (France) S.A.S. B.P. 21, 69571 Dardilly Cédex	Tel. Fax	04 72 20 39 20 04 72 20 39 00
Helvetia	ROFO AG Gewerbezone Seeblick 3213 Kleinbödingen	Tel. Fax	026-6749391 026-6749394
Italia	Black & Decker Italia SpA Viale Elvezia 2 20052 Monza (MI)	Tel. Fax Numero verde	039-23871 039-2387592/2387594 800-213935
Nederland	Black & Decker Benelux Joulehof 12, 4622 RG Bergen op Zoom	Tel. Fax	0164 - 283000 0164 - 283100
Norge	Black & Decker (Norge) A/S Postboks 4814, Nydalen, 0422 Oslo Internet: www.blackanddecker.no	Tlf. Fax	22 90 99 00 22 90 99 01
Österreich	Black & Decker Vertriebsges.m.b.H Oberlaaerstraße 246, A1100 Wien	Tel. Fax	01 66116-0 01 66116-14
Portugal	Black & Decker Rua Egas Moniz 173 S. João do Estoril 2766-651 Estoril	Tel. Fax	214667500 214667580
Suomi	Black & Decker Oy Keilasatama 3, 02150 Espoo Black & Decker Oy, Kägelhamnen 3, 02150 Esbo	Puh. Faksi Tel. Fax	010 400 430 (09) 2510 7100 010 400 430 (09) 2510 7100
Sverige	Black & Decker AB Fabriksg. 7, 412 50 Göteborg	Tel. Fax	031-68 60 60 031-68 60 80
United Kingdom	Black & Decker 210 Bath Road Slough, Berkshire SL1 3YD	Tel. Fax Helpline	01753 511234 01753 551155 01753 574277
Middle East & Africa	Black & Decker (Overseas) A.G. PB 5420, Dubai, United Arab Emirates	Tel. Fax	+971 4 2826464 +971 4 2826466