
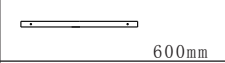

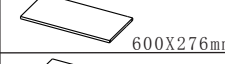
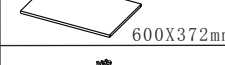

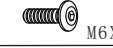


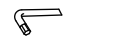
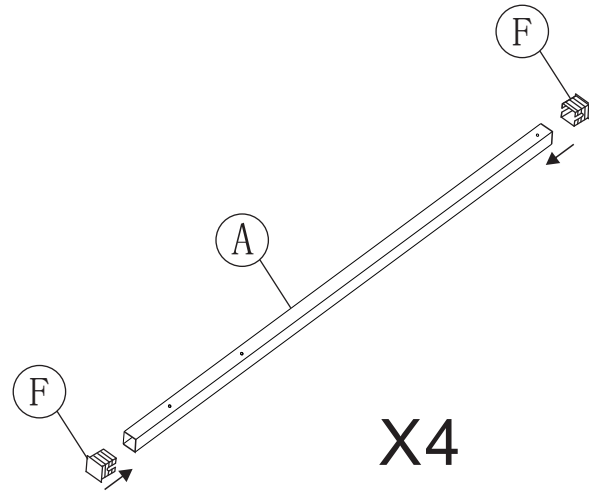


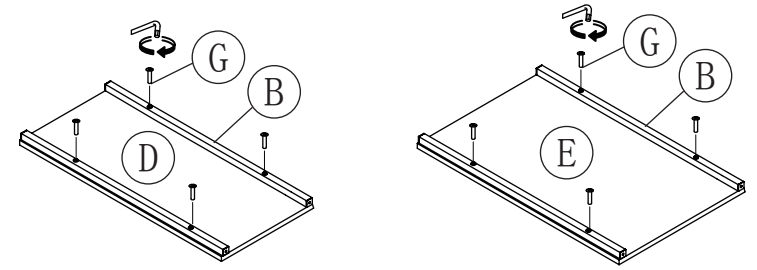
LYJ6440150

NO.	Qty	Sketch
A	4	 1515mm
B	4	 600mm
C	1	 600mm
D	1	 600X276mm
E	1	 600X372mm
F	8	
G	8	 M6X25mm
H	8	 M6X30mm
I	2	 M6X50mm
J	1	

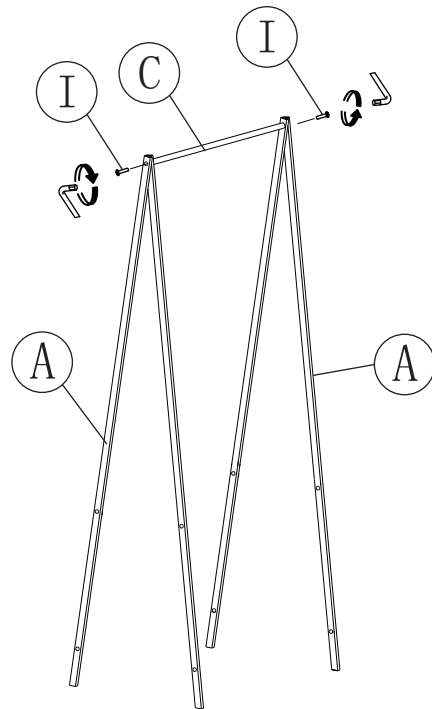
1  
Ax4  
Fx8



2  
Bx4  
Dx1  
Ex1  
Gx8



3  
Cx1  
Ix2



4  
Hx8

