

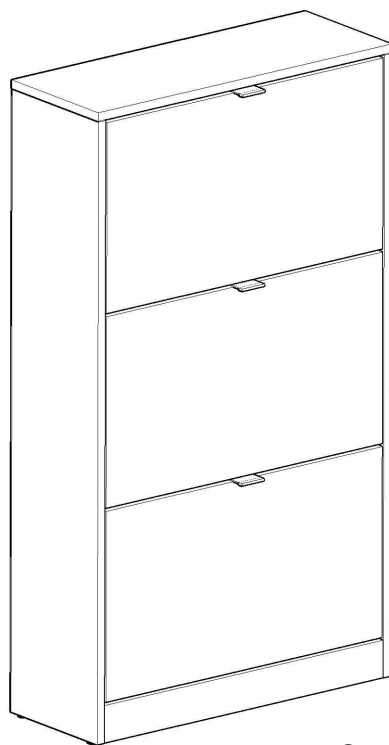
2 YEARS WARRANTY
2 ΧΡΟΝΙΑ ΕΓΓΥΗΣΗ
2 ГОДИНИ ГАРАНЦИЯ

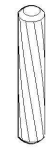
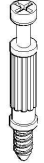



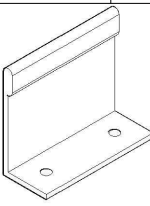
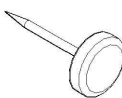
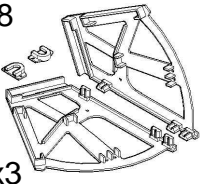
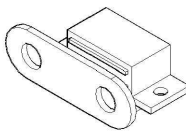
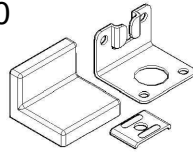
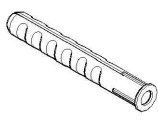


ΑΠΑΡΑΙΤΗΤΗ Η ΣΤΗΡΙΞΗ ΣΤΟΝ ΤΟΙΧΟ



MOUNTING TO THE WALL IS
REQUIRED
НЕОБХОДИМО Ε
ЗАХВАЩАНЕ КЪМ СТЕΝΑΤΑ



A	67x25x1.6	1	1		2	
B	117.3x25x1.6	1				
C	117.3x25x1.6	1				
D	63.8x7x1.6	1	x20		x10	
E	2 x 63.8x10x1.6	1	3		4	
F	3 x 63.1x35.9x1.6	1				
G	6 x 61x14x0.8	1				
H	6 x 61x9x0.8	1	x10		x52	
5		x2				
6		x3				
7		x4				
8		x3				
9		x3				
10		x2				
11		x2				

