



MICROWAVE

- USER'S MANUAL
- ΕΓΧΕΙΡΙΔΙΟ ΧΡΗΣΗΣ



MODEL:
MWO-20LB



Before using the device, read this manual carefully and keep it in a safe place nearby for future reference. Use this device only for its intended purpose, as described in this user manual.

PRECAUTIONS TO AVOID POSSIBLE EXPOSURE TO EXCESSIVE MICROWAVE ENERGY

- Do not attempt to operate this oven with the door open since this can result in harmful exposure to microwave energy. It is important not to break or tamper with the safety interlocks.
- Do not place any object between the oven front face and the door or allow soil or cleaner residue to accumulate on sealing surfaces. Do not operate the oven if you notice any damage. It is especially important that the oven's door is closed properly and there are no defects in the door, hinges, door seals.
- This device should only be repaired by qualified technicians.
- Do not operate the microwave oven when it is empty. There is a risk of fire and damage to the appliance.

Specifications

Model	MWO-20LB
Voltage / Frequency	220 - 240V / 50Hz
Rated Input Power (Microwave)	1050W
Rated Output Power (Microwave)	700 W
Oven Capacity	20L
Turntable Diameter	255mm
External Dimensions(LxWxH)	439.5x335x258.2mm
Net Weight	Approx. 10.2kg

IMPORTANT SAFETY INSTRUCTIONS WARNING

To reduce the risk of fire, electric shock, injury to persons or exposure to excessive microwave oven energy when using your appliance, follow basic precautions, including the following.

WARNING:

1. Read and follow the specific: "PRECAUTIONS TO AVOID POSSIBLE EXPOSURE TO EXCESSIVE MICROWAVE ENERGY".
2. This appliance can be used by children aged from 8 years and above and persons with reduced physical, sensory or mental capabilities or lack of experience and knowledge if they have been given supervision or instruction concerning use of the appliance in a safe way and understand the hazards involved. Children shall not play with the appliance. Cleaning and user maintenance shall not be made by children unless they are older than 8 and supervised. Children less than 8 years of age shall be kept away unless continuously supervised.
3. Keep the appliance and its cord out of reach of children less than 8 years.
4. If the supply cord is damaged, it must be replaced by the manufacturer, its service agent or similarly qualified persons in order to avoid a hazard. (For appliance with type Y attachment)
5. **WARNING:** Ensure that the appliance is switched off before replacing the lamp to avoid the possibility of electric shock.
6. **WARNING:** It is hazardous for anyone other than a competent person to carry out any service or repair operation that involves the removal of a cover which gives protection against exposure to microwave energy
7. **WARNING:** Liquids and other foods must not be heated

in sealed containers since they are liable to explode.

8. When heating food in plastic or paper containers, keep an eye on the oven due to the possibility of ignition.

9. Only use utensils that are suitable for use in microwave ovens.

10. If smoke is emitted, switch off or unplug the appliance and keep the door closed in order to stifle any flames.

11. Microwave heating of beverages can result in delayed eruptive boiling, therefore care must be taken when handling the container.

12. The contents of feeding bottles and baby food jars shall be stirred or shaken and the temperature checked before consumption, in order to avoid burns.

13. Eggs in their shell and whole hard-boiled eggs should not be heated in microwave ovens since they may explode, even after microwave heating has ended.

14. The oven should be cleaned regularly and any food deposits removed.

15. Failure to maintain the oven in a clean condition could lead to deterioration of the surface that could adversely affect the life of the appliance and possibly result in a hazardous situation.

16. The appliance must not be installed behind a decorative door in order to avoid overheating. (This is not applicable for appliances with decorative door.)

17. Only use the temperature probe recommended for this oven. (for ovens provided with a facility to use a temperature-sensing probe.)

18. The microwave oven shall not be placed in a cabinet unless it has been tested in a cabinet.

19. The microwave oven must be operated with the decorative door open. (for ovens with a decorative door.)

20. This appliance is intended to be used in household and similar applications such as:

- staff kitchen areas in shops, offices and other working environments;
- by clients in hotels, motels and other residential type environments;
- farm houses;
- bed and breakfast type environments.

21. The microwave oven is intended for heating food and beverages. Drying of food or clothing and heating of warming pads, slippers, sponges, damp cloth and similar may lead to risk of injury, ignition or fire.

22. Metallic containers for food and beverages are not allowed during microwave cooking.

23. The appliance shall not be cleaned with a steam cleaner.

24. The appliance is intended to be used freestanding.

25. The rear surface of appliances shall be placed against a wall.

MICROWAVE OVEN COOKING INSTRUCTIONS

1. Carefully place the food in the microwave. Place the thinnest parts of the food on the outer part of the dish.
2. Observe the cooking time. Cook the least time needed and if needed add more time. Overcooked food may cause smoke.
3. Cover the food while cooking with a special cover appropriate for microwave oven usage. Covering the plate prevents splashes of food and assists in uniform cooking.
4. Turn over the food more than once during cooking for better results.
5. Disconnect the power supply if the door will open during oven's operation

USEFUL INSTRUCTIONS

1. The ideal material for use in a microwave oven is transparent allowing microwaves to pass through and heat the food.
2. Microwaves cannot penetrate metal, so metal appliances or decorative plates should not be used in the microwave.
3. Heating in paper cups or on plates should always be done in a very short time and always under your supervision.
4. Do not use recycled paper products when cooking with microwaves as they may contain small pieces of metal and cause sparks or even fire.
5. Round or oval dishes, especially for use in a microwave oven, are recommended as the edges tend to be cooked faster.
6. Do not use aluminum foil or other metal utensils to heat or cook food

The following list is a general guide to help you choose the right cookware.

Cookware*	Microwave cooking
Pyrex	Yes
Ceramics	Yes
Plastics (only the ones labeled 'Microwave Suitable')	Yes
Paper Cups and Dishes	Yes
Non-heat resistant glassware	No
Metal cookware	No
Metal Grill	No
Aluminum foil and aluminum packaging	No

* The items that are allowed for microwave cooking are indicated for use in a microwave oven.

CLEANING INSTRUCTIONS

The following parts of the microwave oven should be cleaned regularly to prevent grease and food particles from building up:

- Inside and outside surfaces
- Door and door seals
- Turntable and Roller rings

Always ensure that the door seals are clean and the door closes properly. Failure to maintain the oven in a clean condition could lead to deterioration of the surface that could adversely affect the of the appliance and possibly result in a hazardous situation.

1. Clean the outside surfaces with a soft cloth and warm, soapy water. Rinse and dry.
2. Remove any splashes or stains on the inside surfaces or on the roller ring with a soapy cloth. Rinse and dry.
3. To loosen hardened food particles and remove smells, place a cup of diluted lemon juice on the turntable and heat for ten minutes at maximum power.
4. Wash the turntable plate whenever necessary.

WARNING: Do NOT spill water in the vents.

WARNING: Do NOT use any abrasive products or chemical solvents. Take particular care when cleaning the door seals to ensure that no particles accumulate preventing the door from closing.

- Do not clean the appliance by spraying water directly on it.
- Do not use gasoline or alcohol to clean the appliance. – It may cause color change, deformation, damage, electric shock or fire.
- Before cleaning or maintenance, unplug the appliance and remove any food residue from the door and baking part. -

Failure to do so may result in electric shock or fire.

- Do not use hard cleaners with abrasive or sharp metal scrapers to clean the glass door of the oven door, as it may scratch the surface and cause the glass to break.
- Do not use the microwave to dry paper or clothes.
- For your safety, do not use pressure water purifiers or steam sprayers.
- Do not clean the device with a steam cleaner. – It may cause corrosion

GROUNDING INSTRUCTIONS

Before operating the microwave, make sure that it is properly grounded. The microwave has a cable that has a ground wire and a plug. In the event of a voltage fluctuation, grounding will prevent possible electric shock. For the operation of the microwave oven, it is recommended to connect the plug to an outlet and not to a power outlet with other electrical appliances.

CAUTION: Improper use of the grounded outlet can cause electric shock.

Note:

- If you have any questions about grounding or other instructions, consult a qualified technician.
- Damage or injury due to improper electrical connection is not responsibility of the manufacturer or supplier.
- Cable Coloring:
 - o Green and yellow = Ground
 - o Blue = Neutral
 - o Brown = Power line

INTERFERENCES

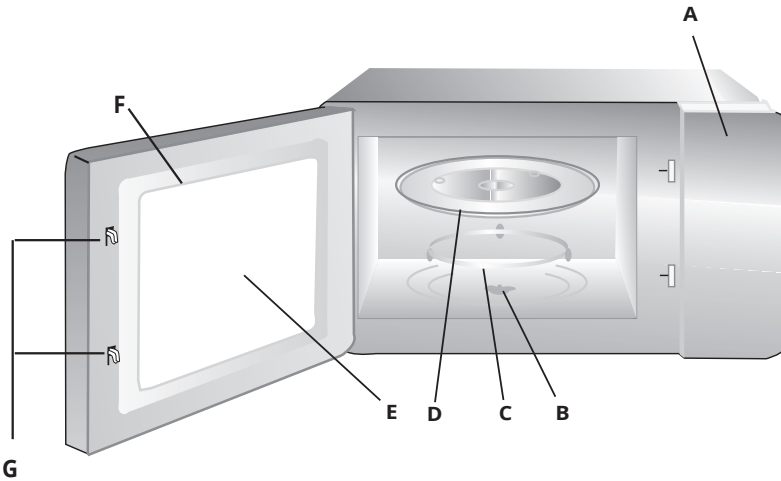
1. Operating the microwave oven may interfere with your radio, television or other devices.
2. In the event of interference, it may be reduced or even eliminated by taking the following measures:
 - Clean the door as well as the insulation surfaces.
 - Move the radio or television antenna.
 - Move the microwave to another location.
 - Connect the microwave oven to a different socket from the other appliances.

SETTING UP YOUR OVEN

Names of Oven Parts and Accessories

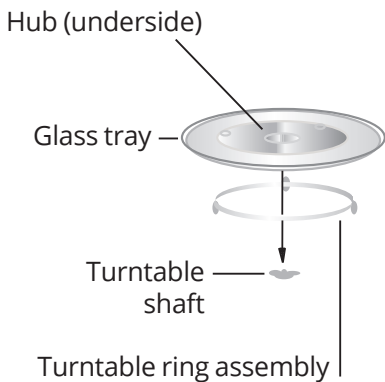
Remove the oven and all materials from the carton and oven cavity. Your oven comes with the following accessories:

Glass tray	1
Turntable ring assembly	1
Instruction Manual	1



- A. Control panel
- B. Turntable shaft
- C. Turntable ring assembly
- D. Glass tray
- E. Observation window
- F. Door assembly
- G. Safety interlock system

Turntable Installation



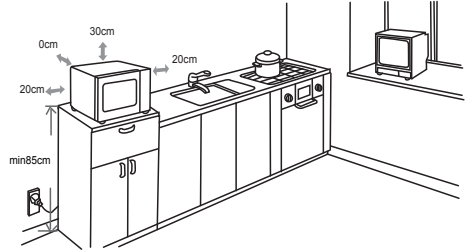
- a. Never place the glass tray upside down. The glass tray should never be restricted.
- b. Both glass tray and turntable ring assembly must always be used during cooking.
- c. All food and containers of food are always placed on the glass tray for cooking.
- d. If glass tray or turntable ring assembly cracks or breaks, contact your nearest authorized service center.

Remove all packing material and accessories. Examine the oven for any damage such as dents or broken door. Do not install if oven is damaged.

Cabinet: Remove any protective film found on the microwave oven cabinet surface.
Do not remove the light brown Mica cover that is attached to the oven cavity to protect the magnetron.

INSTALLATION

1. Select a level surface that provide enough open space for the intake and/or outlet vents.
 1. The minimum installation height is 85cm.
 2. The rear surface of appliance shall be placed against a wall. Leave a minimum clearance of 30cm above the oven, a minimum clearance of 20cm is required between the oven and any adjacent walls.
 3. Do not remove the legs from the bottom of the oven.
 4. Blocking the intake and/ or outlet openings can damage the oven.
 5. Place the oven as far away from radios and TV as possible. Operation of microwave oven may cause interference to your radio or TV reception.
2. Plug your oven into a standard household outlet. Be sure the voltage and the frequency is the same as the voltage and the frequency on the rating label.



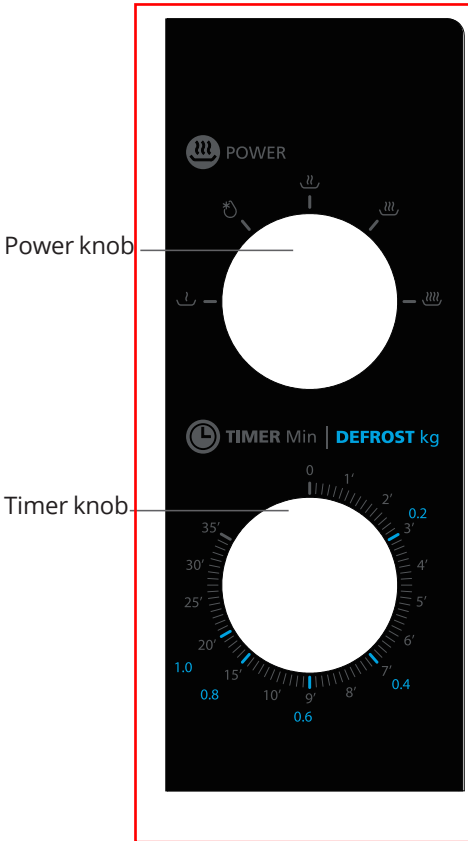
WARNING: Do not install oven over a range cooktop or other heat-producing appliance. If installed near or over a heat source, the oven could be damaged and the warranty would be void.








The accessible surface may be hot during operation.

OPERATION

Control Panel and Features



1. To set cooking power by turning the power knob to desired level.
2. To set the time of cooking by turning the timer knob to desired time per your food cooking guide.
3. The microwave oven will automatically start cooking after power level and time are set.
4. After the cooking time is up, the unit will "Dong" to stop.
5. If the unit is not in use, always set time to "0".

Function/Power	Output	Application
	17% micro.	Soften ice cream
	33% micro.	Soup stew, soften butter or defrost
	55% micro.	Stew, fish
	77% micro.	Rice, fish, chicken, ground meat
	100% micro.	Reheat, milk, boil water, vegetables, beverage

Notice: When removing food from the oven, please ensure that the oven power is switched off by turning the timer switch to 0 (zero).

Failure to do so, and operating the microwave oven without food in it, can result in overheating and damage to the magnetron.

CHECK BEFORE YOU CALL SERVICE

If the microwave oven does not operate:

- Check that the plug is securely attached to the wall socket. If it does not touch properly, unplug it. Wait 15 seconds and plug it in again.
- Check if the fuse has dropped or the main circuit breaker is disconnected.
- Try plugging the device into another socket.
- Check that you have set the correct programming.
- Check that the door is closed properly. If it is not turned off, the microwave energy cannot be fed into the oven and this will not work.

If the device still does not work, contact a qualified technician. Do not attempt to repair the microwave yourself.



According to Waste of Electrical and Electronic Equipment (WEEE) directive, WEEE should be separately collected and treated. If at any time in future you need to dispose of this product please do NOT dispose of this product with household waste. Please send this product to WEEE collecting points where available.

All the pictures in the manual are for explanatory purposes only. The actual shape of the unit you purchased may be slightly different, but the operations and functions are the same. The company may not be held responsible for any misprinted information. The design and the specifications of the product for reasons, such as product improvement, are subject to change without any prior notice.

Please consult with the manufacturer at +30 211 300 3300 or with the Sales agency for further details. Any future updates to the manual will be uploaded to the service website, and it is advised to always check for the latest version.



Scan here to download the latest version of this manual.
www.inventorairconditioner.com/media-library

Activate your Warranty

Follow the next quick steps to activate your warranty:

STEP 1

Visit our website via the link:

<https://www.inventorairconditioner.com/warranty-inventor>

or by scanning the QR code, as follows:



STEP 2

Fill in the obligatory fields as requested in the "Owner's details" and "Unit's details":

To activate the warranty card, please fill in the following fields

Owner's details	Unit details
Owner's Name	Unit Model
Full Name	Unit Serial Number
Address*	Serial Number of the unit*

STEP 3

Click SEND button at the end of the submission form:

Subscribe to Inventor's Newsletter
in the current year

I accept the terms and conditions.

Once the warranty submission has been completed a confirmation message will be sent to your email

SEND

STEP 4

Wait for the confirmation email you will receive at the email address you have filled in - please also check your spam folder.

STEP 5

Inventor warranty is now valid!

ΠΡΟΦΥΛΑΞΕΙΣ ΓΙΑ ΤΗΝ ΑΠΟΦΥΓΗ ΠΙΘΑΝΗΣ ΕΚΘΕΣΗΣ ΣΕ ΥΠΕΡΒΟΛΙΚΗ ΕΝΕΡΓΕΙΑ ΜΙΚΡΟΚΥΜΑΤΩΝ

- Μην επιχειρήσετε να λειτουργήσετε τον φούρνο μικροκυμάτων με την πόρτα ανοικτή γιατί θα έχει σαν αποτέλεσμα την βλαβερή έκθεση σε ενέργεια μικροκυμάτων. Είναι σημαντικό να μην σπάσετε ή να παραβιάσετε τις ασφάλειες.
- Μην τοποθετείτε αντικείμενα μεταξύ της πρόσοψης του φούρνου και της πόρτας και μην αφήνετε υπολείμματα χύματος ή καθαριστικών να παραμείνουν και να συσσωρευτούν στις επιφάνειες. Μην λειτουργείτε τον φούρνο σε περίπτωση που παρατηρήσετε οποιαδήποτε ζημιά ή βλάβη. Είναι ιδιαίτερα σημαντικό να κλείνει σωστά η πόρτα του φούρνου και να μην υπάρχει κανένα ελάττωμα σε πόρτα, μεντεσέδες, λάστιχα τις πόρτας.
- Ο φούρνος μικροκυμάτων πρέπει να επισκευάζεται μόνο από εξειδικευμένους τεχνικούς.
- Μη θέτετε το φούρνο μικροκυμάτων σε λειτουργία, όταν ο θάλαμος είναι κενός. Υπάρχει κίνδυνος πυρκαγιάς και καταστροφής της συσκευής.

Προτού χρησιμοποιήσετε τη συσκευή, διαβάστε προσεκτικά αυτό το εγχειρίδιο και φυλάξτε το σε ασφαλές μέρος κοντά στη συσκευή για μελλοντική αναφορά. Χρησιμοποιείτε αυτή τη συσκευή μόνο για το σκοπό για τον οποίο προορίζεται, όπως περιγράφεται στο παρόν εγχειρίδιο χρήσης

Τεχνικά χαρακτηριστικά

Μοντέλο	MWO-20LB
Τάση/ Συχνότητα	220 - 240V / 50Hz
Ισχύς εισόδου μικροκυμάτων	1050W
Ισχύς εξόδου μικροκυμάτων	700 W
Χωρητικότητα φούρνου	20 λίτρα
Διάμετρος περιστρεφόμενου πιάτου	255mm
Εξωτερικές διαστάσεις	439.5x335x258.2mm
Καθαρό Βάρος	Approx. 10.2kg

ΣΗΜΑΝΤΙΚΕΣ ΟΔΗΓΙΕΣ ΑΣΦΑΛΕΙΑΣ

Για να μειώσετε τον κίνδυνο πυρκαγιάς, ηλεκτροπληξίας, τραυματισμού ή έκθεσης σε υπερβολική ενέργεια φούρνου μικροκυμάτων κατά τη χρήση της συσκευής, θα πρέπει να ακολουθείτε τις βασικές προειδοποιήσεις ασφάλειας, στις οποίες περιλαμβάνονται οι ακόλουθες:

1. Διαβάστε και ακολουθήστε τις οδηγίες της ενότητας : " ΠΡΟΕΙΔΟΠΟΙΗΣΕΙΣ ΓΙΑ ΤΗΝ ΑΠΟΦΥΓΗ ΠΙΘΑΝΗΣ ΕΚΘΕΣΗΣ ΣΕ ΥΠΕΡΒΟΛΙΚΗ ΕΝΕΡΓΕΙΑ ΜΙΚΡΟΚΥΜΑΤΩΝ " .

2. Αυτή η συσκευή μπορεί να χρησιμοποιηθεί από παιδιά ηλικίας από 8 ετών και άνω καθώς και από άτομα με μειωμένες φυσικές, αισθητηριακές ή διανοητικές ικανότητες ή με έλλειψη εμπειρίας και γνώσης, εφόσον υπάρχει επίβλεψη ή έχουν δοθεί οδηγίες σχετικά με τη χρήση της συσκευής με ασφαλή τρόπο και εφόσον έχουν κατανοήσει τους σχετικούς κινδύνους. Τα παιδιά δεν πρέπει να παίζουν με τη συσκευή. Ο καθαρισμός και η συντήρηση δεν πρέπει να γίνονται από παιδιά εκτός αν είναι άνω των 8 ετών και υπάρχει επίβλεψη. Τα παιδιά ηλικίας κάτω των 8 ετών πρέπει να μην αγγίζουν τη συσκευή χωρίς επίβλεψη.

3. Κρατήστε τη συσκευή και το καλώδιο ρεύματος μακριά από παιδιά ηλικίας κάτω των 8 ετών.

4. Εάν το καλώδιο ρεύματος υποστεί φθορά, θα πρέπει να αντικατασταθεί από τον κατασκευαστή, το εξουσιοδοτημένο σέρβις ή εξειδικευμένο τεχνικό ώστε ν' αποφευχθούν κίνδυνοι.

5. ΠΡΟΕΙΔΟΠΟΙΗΣΗ: Πριν την αντικατάσταση της λάμπας της συσκευής, θα πρέπει να την απενεργοποιήσετε ώστε ν' αποφευχθεί η πιθανότητα ηλεκτροπληξίας.

6. ΠΡΟΕΙΔΟΠΟΙΗΣΗ: Είναι επικίνδυνη η πραγματοποίηση επισκευών που ενέχουν αφαίρεση καλυμμάτων της συσκευής, εκτός κι αν τις κάνει εξειδικευμένος τεχνικός.
7. ΠΡΟΕΙΔΟΠΟΙΗΣΗ: Δεν θα πρέπει να ζεσταίνετε υγρά και άλλα τρόφιμα σε κλειστά δοχεία, καθώς μπορεί να εκραγούν.
8. Όταν θερμαίνετε τα τρόφιμα σε πλαστικά ή χάρτινα δοχεία, να είστε προσεκτικοί γιατί υπάρχει πιθανότητα ανάφλεξης.
9. Να χρησιμοποιείτε μόνο σκεύη που είναι κατάλληλα για χρήση σε φούρνους μικροκυμάτων.
10. Αν παράγεται καπνός, απενεργοποιήστε ή αποσυνδέστε τη συσκευή και κρατήστε την πόρτα κλειστή για να καταπνίξετε τυχόν φλόγες.
11. Η θέρμανση υγρών με μικροκύματα μπορεί να έχει ως αποτέλεσμα επιβραδυμένο, εκρηκτικό βρασμό, επομένως πρέπει να προσέχετε όταν πιάνετε το αντίστοιχο δοχείο.
12. Τα περιεχόμενα των μπιμπερό και των δοχείων βρεφικών τροφών πρέπει να αναδεύονται ή να ανακινούνται και η θερμοκρασία πρέπει να ελέγχεται πριν την κατανάλωση, προκειμένου να αποφευχθούν εγκαύματα.
13. Ολόκληρα αυγά με το τσόφλι και βραστά αυγά δεν πρέπει να θερμαίνονται σε φούρνους μικροκυμάτων, καθώς ενδέχεται να εκραγούν, ακόμη και μετά το τέλος της θέρμανσης από μικροκύματα.
14. Ο φούρνος πρέπει να καθαρίζεται τακτικά και να απομακρύνονται τυχόν υπολείμματα τροφίμων.
15. Αν δεν κρατάτε τη συσκευή καθαρή, μπορεί να παρουσιαστεί φθορά στην επιφάνειά της και να υπάρξουν επικίνδυνες καταστάσεις.

16. Η συσκευή δεν πρέπει να εγκατασταθεί πίσω από διακοσμητική πόρτα, για να αποφευχθεί υπερθέρμανση. (Αυτό δεν ισχύει για συσκευές που διαθέτουν διακοσμητική πόρτα.)

17. Να χρησιμοποιείτε μόνο τον αισθητήρα θερμοκρασίας που συνιστάται για τον συγκεκριμένο φούρνο (για τους φούρνους που διαθέτουν υποδοχή για τη χρήση αισθητήρα θερμοκρασίας).

18. Ο φούρνος μικροκυμάτων δεν πρέπει να τοποθετηθεί σε ντουλάπια, εκτός κι αν έχει γίνει σχετική δοκιμή και έχει αποδειχθεί ότι δεν υπάρχει πρόβλημα υπερθέρμανσης.

19. Ο φούρνος μικροκυμάτων θα πρέπει να χρησιμοποιείται με ανοιχτή τη διακοσμητική πόρτα (για φούρνους που διαθέτουν διακοσμητική πόρτα).

20. Η συσκευή αυτή προορίζεται για χρήση σε οικιακές και παρόμοιες εφαρμογές, όπως:

- Χώροι κουζίνας προσωπικού σε καταστήματα, γραφεία και άλλα περιβάλλοντα εργασίας.

- Από πελάτες σε ξενοδοχεία, μοτέλ και άλλα οικιστικά περιβάλλοντα. - Εξοχικά σπίτια. - Περιβάλλοντα τύπου Bed and breakfast.

21. Ο φούρνος μικροκυμάτων προορίζεται για τη θέρμανση τροφίμων και ποτών. Η χρήση του για στέγνωμα τροφίμων ή ενδυμάτων, θέρμανση μαξιλαιριών, παπουτσιών, σφουγγαριών, υγρών ρούχων και παρόμοιων αντικειμένων μπορεί να οδηγήσει σε κίνδυνο τραυματισμού, ανάφλεξη ή πυρκαγιά.

22. Δεν θα πρέπει να χρησιμοποιούνται μεταλλικά δοχεία για το μαγείρεμα τροφίμων και υγρών σ' αυτό το φούρνο μικροκυμάτων.

23. Αυτή η συσκευή δεν θα πρέπει να καθαρίζεται με ατμοκαθαριστή.

24. Αυτή η συσκευή δεν πρέπει να εντοιχιστεί.

25. Η πίσω πλευρά της συσκευής δεν θα πρέπει να ακουμπά στον τοίχο.

ΟΔΗΓΙΕΣ ΜΑΓΕΙΡΕΜΑΤΟΣ ΜΕ ΤΟΝ ΦΟΥΡΝΟ ΜΙΚΡΟΚΥΜΑΤΩΝ

1. Τοποθετήστε το φαγητό προσεκτικά μέσα στο φούρνο μικροκυμάτων. Τοποθετήστε τα πιο λεπτά σημεία προς το εξωτερικό μέρος του πιάτου.
2. Προσέξτε το χρόνο μαγειρέματος. Μαγειρεύετε στο συντομότερο χρόνο και προσθέστε στη συνέχεια όσο χρόνο πιθανόν χρειαστεί. Το φαγητό που έχει μαγειρευτεί παραπάνω ενδέχεται να βγάλει καπνούς.
3. Σκεπάστε το φαγητό κατά το μαγείρεμα με ειδικό σκεύος για χρήση σε φούρνο μικροκυμάτων. Η κάλυψη του πιάτου αποτρέπει τις πιτσιλιές από τα τρόφιμα και βοηθά στο ομοιόμορφο μαγείρεμα.
4. Γυρίζετε το φαγητό πάνω από μία φορά κατά τη διάρκεια του μαγειρέματος για να επιτύχετε καλύτερο ψήσιμο φαγητών.
5. Διακόψτε την παροχή ρεύματος σε περίπτωση που ανοίξει η πόρτα κατά τη διάρκεια της λειτουργίας του φούρνου.

ΧΡΗΣΙΜΕΣ ΟΔΗΓΙΕΣ

1. Το ιδανικό υλικό για χρήση σε φούρνο μικροκυμάτων είναι κάτι διαφανές έτσι ώστε να επιτρέπεται στα μικροκύματα να περνούν από μέσα και να ζεσταίνουν το φαγητό.
2. Τα μικροκύματα δεν μπορούν να διαπεράσουν το μέταλλο, έτσι οι μεταλλικές συσκευές ή τα πιάτα με διακοσμήσεις δεν πρέπει να χρησιμοποιούνται στο φούρνο μικροκυμάτων.
3. Το ζέσταμα σε χάρτινα ποτήρια ή πιάτα πρέπει να γίνεται πάντα σε πολύ σύντομους χρόνους και πάντα υπό την επίβλεψή σας.
4. Μη χρησιμοποιείτε τα ανακυκλωμένα χάρτινα προϊόντα κατά το μαγείρεμα με μικροκύματα διότι μπορεί να περιέχουν μικρά τεμάχια μετάλλων και να προκληθούν

σπινθήρες ή ακόμα και πυρκαγιά.

5. Στρογγυλά ή οβάλ πιάτα, ειδικά για χρήση σε φούρνο μικροκυμάτων, συνιστώνται καθώς το φαγητό στις άκρες τείνει να μαγειρεύεται πιο γρήγορα.
6. Μη χρησιμοποιείτε αλουμινόχαρτο ή άλλου είδους μεταλλικά σκεύη για το ζέσταμα ή το μαγείρεμα του φαγητού.

Ο κάτωθι κατάλογος είναι ένας γενικός οδηγός που θα σας βοηθήσει να επιλέξετε τα σωστά μαγειρικά σκεύη.

Μαγειρικά Σκεύη*	Μαγείρεμα σε μικροκύματα
Πυρέξ	Ναι
Κεραμικά	Ναι
Πλαστικά Μόνο όσα φέρουν την ένδειξη 'Κατάλληλα για Φούρνους Μικροκυμάτων')	Ναι
Χάρτινα Ποτήρια και πιάτα	Ναι
Γυάλινα σκεύη μη ανθεκτικά στη θερμότητα	Όχι
Μεταλλικά σκεύη	Όχι
Μεταλλική σχάρα	Όχι
Φύλλο αλουμινίου (αλουμινόχαρτο) και έτοιμες συσκευασίες αλουμινίου	Όχι

* Τα ανωτέρω σκεύη που επιτρέπονται για μαγείρεμα σε μικροκύματα έχουν την ένδειξη κατάλληλα για χρήση σε φούρνο μικροκυμάτων.

ΟΔΗΓΙΕΣ ΚΑΘΑΡΙΣΜΟΥ

Τα παρακάτω εξαρτήματα του φούρνου μικροκυμάτων θα πρέπει να καθαρίζονται τακτικά, προκειμένου να αποφευχθεί η συσσώρευση λίπους και υπολειμμάτων τροφών:

- Εσωτερικές και εξωτερικές επιφάνειες
- Πόρτα και τσιμούχες πόρτας
- Περιστρεφόμενος δίσκος και δακτύλιος κύλισης

Πάντοτε να φροντίζετε, ώστε οι τσιμούχες της πόρτας να είναι καθαρές και η πόρτα να κλείνει κανονικά. Εάν ο φούρνος δεν διατηρηθεί καθαρός, μπορεί να προκληθεί φθορά στην επιφάνεια η οποία ενδέχεται να επηρεάσει αρνητικά τη διάρκεια ζωής της συσκευής και να προκληθούν επικίνδυνες καταστάσεις.

1. Καθαρίστε τις εξωτερικές επιφάνειες με ένα μαλακό πανί και χλιαρό νερό με σαπούνι. Ξεπλύνετε και στεγνώστε.
2. Απομακρύνετε τυχόν πιτσιλιές ή λεκέδες από τις εσωτερικές επιφάνειες ή από το δακτύλιο κύλισης με ένα πανί και σαπούνι. Ξεπλύνετε και στεγνώστε.
3. Για την αφαίρεση τροφής που έχει κολλήσει και την απομάκρυνση των μυρωδιών, τοποθετήστε στον περιστρεφόμενο δίσκο ένα φλιτζάνι αραιωμένου χυμού λεμονιού και θερμάνετε για δέκα λεπτά στη μέγιστη βαθμίδα ισχύος.
4. Να πλένετε το πιάτο όποτε απαιτείται.

ΠΡΟΣΟΧΗ: Μην ρίχνετε νερό στις οπές εξαερισμού.

ΠΡΟΣΟΧΗ: Μην χρησιμοποιείτε καθαριστικά με αποξεστικά και χημικούς διαλύτες. Προσέξτε ιδιαίτερα κατά τον καθαρισμό των τσιμουχών της πόρτας, προκειμένου να εξασφαλίσετε ότι δεν υπάρχουν σωματίδια που συσσωρεύονται και Εμποδίζουν το σωστό κλείσιμο της πόρτας

- Μην καθαρίζετε τη συσκευή ψεκάζοντας νερό απευθείας επάνω της.
- Μην χρησιμοποιείτε βενζίνη, διαλυτικό ή οινόπνευμα για να καθαρίσετε τη συσκευή. - Ενδέχεται να προκληθεί αλλοίωση στο χρώμα, παραμόρφωση, ζημιά, ηλεκτροπληξία ή πυρκαγιά.
- Πριν από τον καθαρισμό ή τις εργασίες συντήρησης, αποσυνδέστε τη συσκευή από την πρίζα και αφαιρέστε τα υπολείμματα τροφών από την πόρτα και το τμήμα ψησίματος. - Διαφορετικά, ενδέχεται να προκληθεί ηλεκτροπληξία ή πυρκαγιά.
- Μην χρησιμοποιείτε σκληρά καθαριστικά με αποξεστικά ή αιχμηρά μεταλλικά εργαλεία απόξεσης για να καθαρίσετε τη γυάλινη επιφάνεια της πόρτας του φούρνου, διότι μπορεί να γρατσουνίσετε την επιφάνεια και να προκληθεί θραύση του γυαλιού.
- Μην χρησιμοποιείτε το φούρνο μικροκυμάτων για να στεγνώσετε χαρτιά ή ρούχα.
- Για την ασφάλειά σας, μην χρησιμοποιείτε συσκευές καθαρισμού με νερό υπό πίεση ή συσκευές εκτόξευσης ατμού.
- Μην καθαρίζετε τη συσκευή με ατμοκαθαριστή. - Ενδέχεται να προκληθεί διάβρωση.

ΟΔΗΓΙΕΣ ΓΕΙΩΣΗΣ

Πριν τη λειτουργία του φούρνου μικροκυμάτων βεβαιωθείτε ότι υπάρχει σωστή γείωση. Ο φούρνος μικροκυμάτων διαθέτει καλώδιο που έχει γειωμένο σύρμα και φικς. Σε περίπτωση αυξομείωσης της τάσης του ρεύματος η γείωση θα αποτρέψει πιθανή ηλεκτροπληξία. Για τη λειτουργία του φούρνου μικροκυμάτων συνιστάται η σύνδεση του φικς σε πρίζα και όχι σε πολύπριζο μαζί με άλλες ηλεκτρικές συσκευές.

ΠΡΟΣΟΧΗ: Εσφαλμένη χρήση της γειωμένης πρίζας μπορεί να προκαλέσει ηλεκτροπληξία.

Σημείωση:

- Σε περίπτωση που έχετε κάποιες απορίες όσον αφορά στη γείωση ή σε άλλες οδηγίες, συμβουλευτείτε εξειδικευμένο τεχνικό.
- Καταστροφή ή τραυματισμός λόγω μη σωστής διαδικασίας ηλεκτρικών συνδέσεων δεν βαρύνει τον κατασκευαστή ή προμηθευτή.
- Χρωματισμός καλωδίων:
 - ο Πράσινο και κίτρινο = Γείωση
 - ο Μπλε = Ουδέτερο
 - ο Καφέ = Καλώδιο διέλευσης ηλεκτρικού ρεύματος

ΠΑΡΕΜΒΟΛΕΣ

1. Η λειτουργία του φούρνου μικροκυμάτων μπορεί να προκαλέσει παρεμβολές στο ραδιόφωνό σας την τηλεόραση ή σε άλλες συσκευές.
2. Σε περίπτωση που υπάρχει παρεμβολή, μπορεί να μειωθεί ή και να εξαλειφθεί παίρνοντας τα κάτωθι μέτρα:
 - Καθαρίστε την πόρτα καθώς επίσης και τις επιφάνειες μόνωσης.
 - Μετακινήστε την κεραία του ραδιοφώνου ή της τηλεόρασης.
 - Μετακινήστε τον φούρνο μικροκυμάτων σε κάποιο άλλο σημείο.
 - Συνδέστε το φούρνο μικροκυμάτων σε διαφορετική πρίζα από τις υπόλοιπες συσκευές.

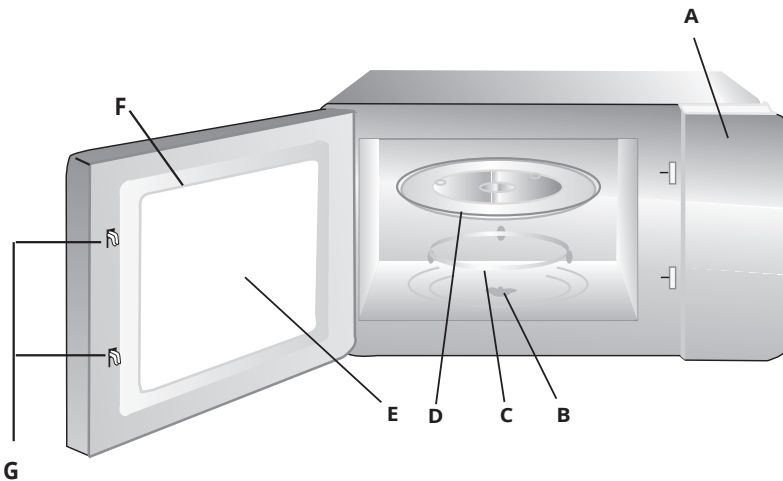
ΕΓΚΑΤΑΣΤΑΣΗ ΤΟΥ ΦΟΥΡΝΟΥ ΜΙΚΡΟΚΥΜΑΤΩΝ

Ονοματολογία ανταλλακτικών και αξεσουάρ

Αφαιρέστε τον φούρνο και όλα τα υλικά μέσα από τη συσκευασία.

Τα αξεσουάρ που περιλαμβάνει ο φούρνος είναι τα ακόλουθα:

Γυάλινος δίσκος	1
Δακτύλιος του περιστρεφόμενου δίσκου	1
Εγχειρίδιο χρήσης	1



- A. Πίνακας χειρισμού
- B. Μηχανισμός περιστροφής
- C. Δακτύλιος περιστρεφόμενου δίσκου
- D. Γυάλινος δίσκος
- E. Παράθυρο πόρτας
- F. Πόρτα
- G. Σύστημα κλειδώματος ασφαλείας

Εγκατάσταση δίσκου περιστροφής

Άξονας περιστροφής στο κάτω μέρος από γυάλινο δίσκο



- α. Μην τοποθετείτε ποτε τον γυάλινο δίσκο ανάποδα
- β. Κατά τη διάρκεια του ψησίματος πρέπει πάντα να χρησιμοποιείτε το γυάλινο δίσκο και τον δακτύλιο περιστροφής.
- γ. Πάντα το φαγητό και τα δοχεία πρέπει να τοποθετούνται πάνω στο δίσκο για μαγείρεμα
- δ. Εάν ο δίσκος ή ο δακτύλιος ραγίσει ή σπάσει πρέπει οπωσδήποτε να αντικατασταθεί.

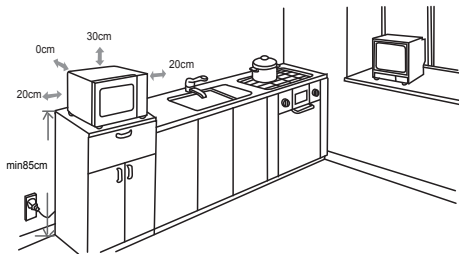
Αφαιρέστε όλα τα υλικά συσκευασίας και τα αξεσουάρ. Εξετάστε τον φούρνο για τυχόν ζημιές όπως χτυπήματα ή σπασμένη πόρτα. Μην εγκαταστήσετε την συσκευή εάν είναι φθαρμένη.

Αφαιρέστε οποιαδήποτε προστατευτική μεμβράνη βρίσκεται στην επιφάνεια του θαλάμου φούρνου μικροκυμάτων.

ΠΡΟΣΟΧΗ: Μην αφαιρέσετε το ανοιχτό καφέ κάλυμμα Mica που είναι προσαρτημένο στο εσωτερικό της συσκευής για την προστασία του μάγνητρου.

ΤΟΠΟΘΕΤΗΣΗ

1. Επιλέξτε μια επίπεδη επιφάνεια όπου η συσκευή θα είναι ελεύθερη περιμετρικά.
 1. Το ελάχιστο ύψος αναγκαίο για την εγκατάσταση είναι 85cm.
 2. Η πίσω πλευρά της συσκευής θα πρέπει να τοποθετείται προς τον τοίχο. Αφήστε περιθώριο ανοιχτού χώρου 30cm πάνω από το φούρνο και 20cm μεταξύ του φούρνου και του τοίχου.
 3. Μην αφαιρείτε τις βάσεις στήριξης (ποδαράκια) από το κάτω μέρος της συσκευής.
 4. Ο αποκλεισμός των ανοιγμάτων εισαγωγής ή και εξαγωγής μπορεί να προκαλέσει βλάβη στο φούρνο.
 5. Τοποθετήστε το φούρνο όσο το δυνατόν μακρύτερα από τηλεόραση και ραδιόφωνο. Η λειτουργία του φούρνου μπορεί να προκαλέσει παρεμβολές στη συχνότητα.
2. Συνδέστε την συσκευή στο ηλεκτρικό δίκτυο αφού διαπιστώσετε ότι είναι συμβατή με τις προδιαγραφές που αναγράφονται στο ταμπελάκι στο πίσω μέρος του φούρνου.



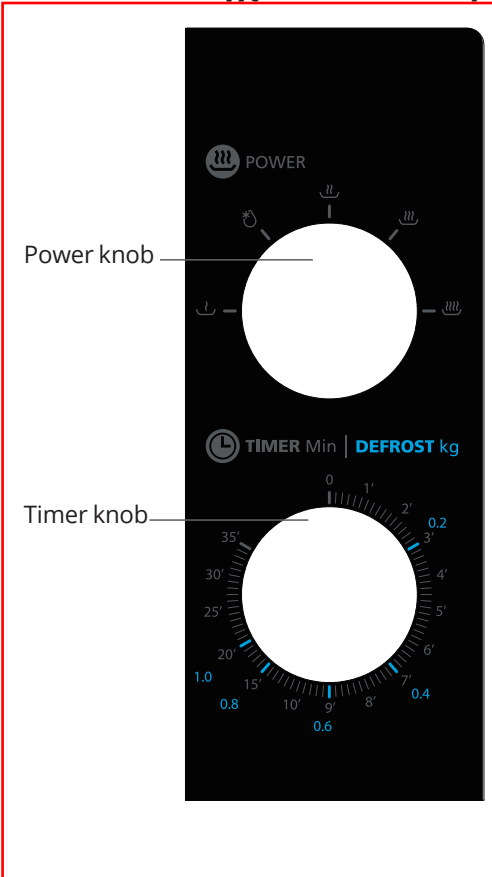
ΠΡΟΣΟΧΗ: Μην τοποθετείτε τον φούρνο στο επάνω μέρος κουζίνας ή άλλης ηλεκτρικής συσκευής που παράγει θερμότητα. Εάν εγκατασταθεί μπορεί να καταστραφεί και η εγγύηση δεν ισχύει.








Η επιφάνεια μπορεί να είναι ζεστή κατά τη διάρκεια της λειτουργίας.

ΛΕΙΤΟΥΡΓΙΑ

Πίνακας ελέγχου και λειτουργίες



1. Για να επιλέξετε την ισχύ του ψησίματος περιστρέψτε το κουμπί «POWER» στο επιθυμητό σημείο.
2. Για να επιλέξετε την διάρκεια του ψησίματος περιστρέψτε τον χρονοδιακόπτη (TIMER) στον χρόνο που απαιτείται ανάλογα με το είδος του φαγητού
3. Η λειτουργία της συσκευής θα ξεκινήσει αυτόματα μόλις επιλέξετε το επίπεδο ψησίματος και την διάρκεια.
4. Όταν ολοκληρωθεί το ψήσιμο θα ακουστεί ένα ηχητικό σήμα και θα σταματήσει η λειτουργία της συσκευής.
5. Όταν η συσκευή δεν χρησιμοποιείται τοποθετείστε τον χρονοδιακόπτη (TIMER) στο '0'

Λειτουργία/ Ισχύς	Ενέργεια	Εργασία
	17% micro.	Λιώσιμο παγωτού
	33% micro.	Ζέσταμα σούπας, Λιώσιμο βουτύρου, ξεπάγωμα
	55% micro.	Ζέσταμα φαγητού, μαγείρεμα ψαριού
	77% micro.	Μαγείρεμα ρυζιού, κοτόπουλου, κρέατος ή κροκέτας ψαριού
	100% micro.	Ζέσταμα γάλατος, βράσιμο νερού, λαχανικών, κοτόπουλου.

Σημείωση: Όταν αφαιρείτε τρόφιμα από το φούρνο, βεβαιωθείτε ότι η τροφοδοσία του φούρνου είναι απενεργοποιημένη γυρίζοντας το διακόπτη χρονοδιακόπτη στο 0 (μηδέν). Εάν λειτουργείτε τον φούρνο μικροκυμάτων χωρίς φαγητό μπορεί να προκληθεί υπερθέρμανση και ζημιά στην συσκευή.

ΕΛΕΓΧΟΣ ΠΡΙΝ ΚΑΛΕΣΕΤΕ ΤΟ SERVICE

Σε περίπτωση που ο φούρνος μικροκυμάτων δεν λειτουργεί:

- Ελέγξτε εάν το φινιρίσματα εφάπτεται σωστά στη πρίζα. Σε περίπτωση που δεν εφάπτεται σωστά αφαιρέστε τον από την πρίζα. Περιμένετε 15 δευτερόλεπτα και τοποθετήστε τον ξανά στην πρίζα.
- Ελέγξτε εάν έχει πέσει η ασφάλεια ή αν υπάρχει διακοπή στο κεντρικό κύκλωμα.
- Δοκιμάστε να λειτουργήσετε την συσκευή σε άλλη πρίζα.
- Ελέγξτε αν έχετε ρυθμίσει τον σωστό προγραμματισμό.
- Ελέγξτε εάν η πόρτα έχει κλείσει σωστά. Σε περίπτωση που δεν έχει κλείσει, η ενέργεια των μικροκυμάτων δεν μπορεί να διοχετευθεί μέσα στο φούρνο με αποτέλεσμα αυτός να μην λειτουργεί.

Εάν η συσκευή εξακολουθεί να μην λειτουργεί, επικοινωνήστε με εξειδικευμένο τεχνικό. **Μην προσπαθήσετε** να επισκευάσετε το φούρνο μικροκυμάτων μόνοι σας.



Σύμφωνα με την οδηγία για τα απόβλητα ηλεκτρικού και ηλεκτρονικού εξοπλισμού (ΑΗΗΕ), τα ΑΗΗΕ πρέπει να συλλέγονται χωριστά και να υφίστανται επεξεργασία. Εάν οποιαδήποτε στιγμή στο μέλλον πρέπει να απορρίψετε αυτό το προϊόν, παρακαλούμε μην απορρίψετε αυτό το προϊόν με τα οικιακά απορρίμματα. Στείλτε αυτό το προϊόν στα σημεία συλλογής των ΑΗΗΕ.

Όλες οι εικόνες στο παρόν εγχειρίδιο εξυπηρετούν επεξηγηματικούς σκοπούς.

Το προϊόν που προμηθευτήκατε μπορεί να εμφανίζει ορισμένες διαφορές ως προς το σχήμα, ωστόσο οι λειτουργίες και τα χαρακτηριστικά παραμένουν ίδια.

Η εταιρεία δεν φέρει ευθύνη για τυχόν τυπογραφικά λάθη. Ο σχεδιασμός και οι προδιαγραφές του προϊόντος μπορεί να τροποποιηθούν χωρίς προηγούμενη ειδοποίηση με σκοπό τη βελτίωση των προϊόντων.

Για λεπτομέρειες, απευθυνθείτε στον κατασκευαστή στο 211 300 3300 ή στον αντιπρόσωπο. Τυχόν ενημερώσεις του εγχειρίδιου θα αναρτηθούν στην ιστοσελίδα του κατασκευαστή, παρακαλούμε να ελέγξετε για την πιο πρόσφατη έκδοση.



Σαρώστε εδώ
για να κατεβάσετε την τελευταία έκδοση του εγχειρίδιου.
www.inventoraircondition.gr/media-library

Υποβολή Εγγύησης

Ακολουθήστε τα παρακάτω σύντομα βήματα για να ενεργοποιήσετε την εγγύησή σας:

ΒΗΜΑ 1

Επισκεφθείτε την ιστοσελίδα μας μέσω του παρακάτω συνδέσμου:

<https://www.inventoraircondition.gr/egiisi-inventor>

ή σκανάροντας τον ακόλουθο κωδικό QR:



ΒΗΜΑ 2

Συμπληρώστε όλα τα απαραίτητα πεδία όπως ζητούνται στα "Στοιχεία ιδιοκτήτη" και "Στοιχεία μηχανήματος":

Για να ενεργοποιήσετε την εγγύηση, παρακαλούμε συμπληρώστε τα παρακάτω πεδία:

Στοιχεία ιδιοκτήτη	Στοιχεία μηχανήματος
Όνομα	Τύπος
Διεύθυνση*	Σειριακός αριθμός μηχανήματος*

ΒΗΜΑ 3

Πατήστε το κουμπί ΑΠΟΣΤΟΛΗ, στο κάτω μέρος της φόρμας υποβολής:

Διεύθυνση email*

Να εγγραφώ στο newsletter της Inventor

ΑΠΟΣΤΟΛΗ Η εγγραφή αποδέχεται τους όρους και τις προϋποθέσεις.

Μολις ολοκληρωθεί η υποβολή της εγγύησης θα λάβετε την επιβεβαίωση κατοχύρωσης στο email σας

ΒΗΜΑ 4

Θα λάβετε σχετικό mail επιβεβαίωσης στη διεύθυνση email που έχετε δηλώσει. Παρακαλούμε ελέγξτε και τον φάκελο με τα Ανεπιθύμητα εισερχόμενα.

ΒΗΜΑ 5

Έχετε υποβάλει επιτυχώς την εγγύηση του προϊόντος Inventor!



MICROWAVE



V:1.0.092022

Manufacturer: **INVENTOR A.G. S.A.**

24th km National Road Athens - Lamia & 2 Thoukididou Str., Ag.Stefanos, 14565

Tel.: +30 211 300 3300, Fax: +30 211 300 3333 - www.inventor.ac

