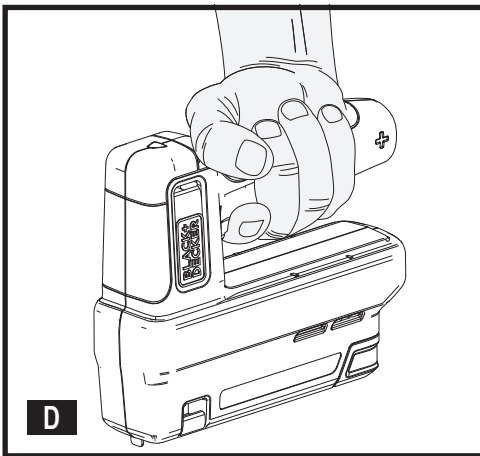
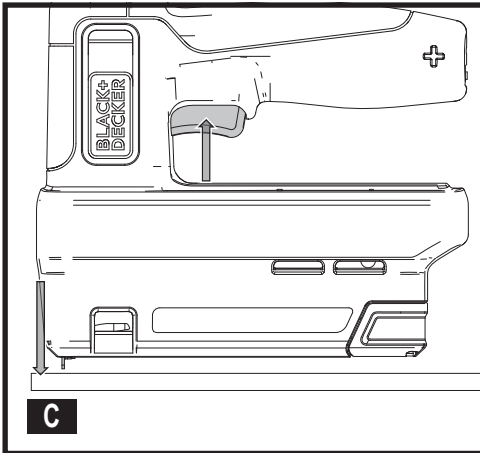
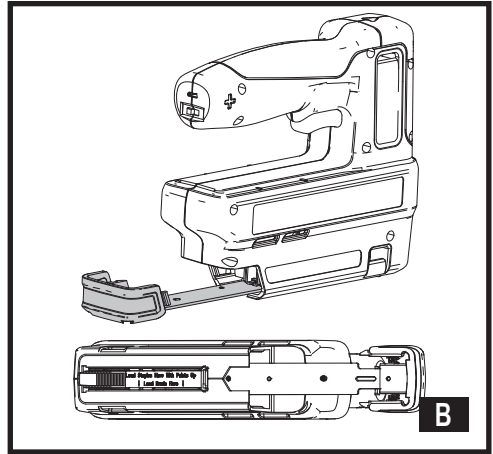
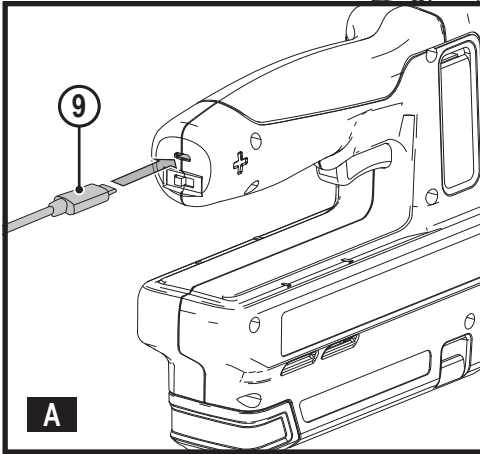


English (original instructions)	3
Deutsch (<i>übersetzt von den originalanweisungen</i>)	16
Français (<i>traduction de la notice d'instructions originale</i>)	27
Italiano (<i>tradotto dalle istruzioni originali</i>)	37
Nederlands (<i>vertaald vanuit de originele instructies</i>)	47
Español (<i>traducido de las instrucciones originales</i>)	57
Português (<i>traduzido das instruções originais</i>)	67
Svenska (<i>översatt från de ursprungliga instruktionerna</i>)	77
Norsk (<i>oversatt fra de originale instruksjonene</i>)	87
Dansk (<i>oversat fra original brugsvejledning</i>)	95
Suomi (<i>käännetty alkuperäisestä käyttöohjeesta</i>)	105
Ελληνικά (<i>μετάφραση από τις πρωτότυπες οδηγίες</i>)	114



Intended use

Your BLACK+DECKER™ BCN115 cordless stapler has been designed for craft applications. This product is intended for household, consumer use only. Not suitable for fixing electrical cables.

Safety instructions

General power tool safety warnings



Warning! Read all safety warnings, instructions, illustrations and specifications provided with this power tool. Failure to follow the warnings and instructions listed below may result in electric shock, fire and/or serious injury.

Save all warnings and instructions for future reference.

The term "power tool" in all of the warnings listed below refers to your mains operated (corded) power tool or battery operated (cordless) power tool.

1. Work area safety

- a. **Keep work area clean and well lit.** Cluttered or dark areas invite accidents.
- b. **Do not operate power tools in explosive atmospheres, such as in the presence of flammable liquids, gases or dust.** Power tools create sparks which may ignite the dust or fumes.
- c. **Keep children and bystanders away while operating a power tool.** Distractions can cause you to lose control.

2. Electrical safety

- a. **Power tool plugs must match the outlet. Never modify the plug in any way.**

- Do not use any adapter plugs with earthed (grounded) power tools.** Unmodified plugs and matching outlets will reduce risk of electric shock.
- b. **Avoid body contact with earthed or grounded surfaces such as pipes, radiators, ranges and refrigerators.** There is an increased risk of electric shock if your body is earthed or grounded.
 - c. **Do not expose power tools to rain or wet conditions.** Water entering a power tool will increase the risk of electric shock.
 - d. **Do not abuse the cord. Never use the cord for carrying, pulling or unplugging the power tool. Keep cord away from heat, oil, sharp edges or moving parts.** Damaged or entangled cords increase the risk of electric shock.
 - e. **When operating a power tool outdoors, use an extension cord suitable for outdoor use.** Use of a cord suitable for outdoor use reduces the risk of electric shock.
 - f. **If operating a power tool in a damp location is unavoidable, use a residual current device (RCD) protected supply.** Use of an RCD reduces the risk of electric shock.
3. **Personal safety**
 - a. **Stay alert, watch what you are doing and use common sense when operating a power tool.**
Do not use a power tool while you are tired or under the influence of drugs, alcohol or medication. A moment of inattention while operating power tools may result in serious personal injury.
 - b. **Use personal protective equipment. Always wear eye protection.** Protective equipment such as a dust mask, non-skid safety shoes, hard hat, or hearing protection used for appropriate conditions will reduce personal injuries.
 - c. **Prevent unintentional starting. Ensure the switch is in the off-position before connecting to power source and/or battery pack, picking up or carrying the tool.** Carrying power tools with your finger on the switch or energising power tools that have the switch on invites accidents.
 - d. **Remove any adjusting key or wrench before turning the power tool on.** A wrench or a key left attached to a rotating part of the power tool may result in personal injury.
 - e. **Do not overreach. Keep proper footing and balance at all times.** This enables better control of the power tool in unexpected situations.
 - f. **Dress properly. Do not wear loose clothing or jewellery. Keep your hair and clothing away from moving parts.** Loose clothes, jewellery or long hair can be caught in moving parts.
 - g. **If devices are provided for the connection of dust extraction and collection facilities, ensure these are connected and properly used.** Use of dust collection can reduce dust-related hazards.
 - h. **Do not let familiarity gained from frequent use of tools allow you to become complacent and ignore tool safety principles.** A careless action can cause severe injury within a fraction of a second.
 4. **Power tool use and care**
 - a. **Do not force the power tool. Use the correct power tool for your application.**
The correct power tool will do the job better and safer at the rate for which it was designed.
 - b. **Do not use the power tool if the switch does not turn it on and off.** Any power tool that cannot be controlled with the switch is dangerous and must be repaired.
 - c. **Disconnect the plug from the power source and/or remove the battery pack, if detachable, from the power tool before making any adjustments, changing accessories, or storing power tools.** Such preventive safety measures reduce the risk of starting the power tool accidentally.
 - d. **Store idle power tools out of the reach of children and do not allow persons unfamiliar with the power tool or these instructions to operate the power tool.**
Power tools are dangerous in the hands of untrained users.
 - e. **Maintain power tools and accessories. Check for misalignment or binding of moving parts, breakage of parts and any other condition that may affect the power tools operation. If damaged, have the power tool repaired before use.** Many accidents are caused by poorly maintained power tools.
 - f. **Keep cutting tools sharp and clean.** Properly maintained cutting tools with sharp cutting edges are less likely to bind and are easier to control.
 - g. **Use the power tool, accessories and tool bits etc. in accordance with these instructions, taking into account the working conditions and the work to be performed.**
Use of the power tool for operations different from those intended could result in a hazardous situation.
 - h. **Keep handles and grasping surfaces dry, clean and free from oil and grease.** Slippery handles and grasping surfaces do not allow for safe handling and control of the tool in unexpected situations.
 5. **Battery tool use and care**
 - a. **Recharge only with the charger specified by the manufacturer.** A charger that is suitable for one type of battery pack may create a risk of fire when used with another battery pack.

- b. **Use power tools only with specifically designated battery packs.** Use of any other battery packs may create a risk of injury and fire.
 - c. **When battery pack is not in use, keep it away from other metal objects, like paper clips, coins, keys, nails, screws, or other small metal objects, that can make a connection from one terminal to another.** Shorting the battery terminals together may cause burns or a fire.
 - d. **Under abusive conditions, liquid may be ejected from the battery; avoid contact. If contact accidentally occurs, flush with water. If liquid contacts eyes, additionally seek medical help.** Liquid ejected from the battery may cause irritation or burns.
 - e. **Do not use a battery pack or tool that is damaged or modified.** Damaged or modified batteries may exhibit unpredictable behaviour resulting in fire, explosion or risk of injury.
 - f. **Do not expose a battery pack or tool to fire or excessive temperature.** Exposure to fire or temperature above 130 °C may cause explosion. NOTE: The temperature „130 °C“ can be replaced by the temperature „265 °F“.
 - g. **Follow all charging instructions and do not charge the battery pack or tool outside the temperature range specified in the instructions.** Charging improperly or at temperatures outside the specified range may damage the battery and increase the risk of fire.
6. **Service**
- a. **Have your power tool serviced by a qualified repair person using only identical replacement parts.** This will ensure that the safety of the power tool is maintained.
 - b. **Never service damaged battery packs.** Service of battery packs should only be performed by the manufacturer or authorized service providers.

Additional Safety Instructions for Cordless stapler

- ◆ **Always wear safety glasses.**
- ◆ **Always wear ear protection.**
- ◆ **Only use fasteners of the type specified in the manual.**
- ◆ **Do not use any stands for mounting the tool to a support.**
- ◆ **Do not disassemble or block any parts of the fastener driving tool such as the contact trip.**
- ◆ **Prior to each operation check that the safety and triggering mechanism is functioning properly and that all nuts and bolts are tight.**
- ◆ **Do not use the tool as a hammer.**
- ◆ **Do not use the tool on a ladder.**
- ◆ **Never point any operational fastener driving tool at yourself or at any other person.**

- ◆ **While working, hold the tool in such a way that no injuries can be caused to the head or to the body in the event of a possible recoil due to a disruption in the energy supply or hard areas within the work piece.**
- ◆ **Never actuate the fastener driving tool into free space.**
- ◆ **In the work area, carry the tool at the workplace using only one handle, and never with the trigger actuated.**
- ◆ **Consider the conditions in the work area Fasteners can penetrate thin work pieces or slip off corners and edges of the work piece, and thus put people at risk.**
- ◆ **Do not drive fasteners close to the edge of the work piece.**
- ◆ **Do not drive fasteners on top of other fasteners.**
- ◆ **Always assume that the tool contains fasteners.** Careless handling of the nailer can result in unexpected firing of fasteners and personal injury.
- ◆ **Do not point the tool towards yourself or anyone nearby.** Unexpected triggering will discharge the fastener causing injury.
- ◆ **Do not actuate the tool unless it is placed firmly against the workpiece.** If the tool is not in contact, the fastener may be deflected away from your target.
- ◆ **Disconnect the tool from the power source when the fastener jams in the tool.** While removing a jammed fastener, the nailer may be accidentally activated if it is plugged in.
- ◆ **Do not use this tool for fastening electrical cables.** It is not designed for electric cable installation and may damage the insulation of electric cables thereby causing electric shock or fire hazards.

Labels on Appliance

The following symbols, along with the date code, are shown on the appliance:



Warning! To reduce the risk of injury, the user must read the instruction manual.

Vibration

The vibration and/or noise emission level given in this information sheet has been measured in accordance with a standardised test given in EN60745 and may be used to compare one tool with another. It may be used for a preliminary assessment of exposure.

WARNING: The declared vibration and/or noise emission level represents the main applications of the tool. However if the tool is used for different applications, with different accessories or poorly maintained, the vibration and/or noise emission may differ. This may significantly increase the exposure level over the total working period.

An estimation of the level of exposure to vibration and/or noise should also take into account the times when the tool is switched off or when it is running but not actually doing the job.

Important safety instructions for all integral battery tools

Warning! Read all safety warnings, instructions, and cautionary markings for the battery, charger and product. Failure to follow the warnings and instructions may result in electric shock, fire and/or serious injury.

- ◆ Never force a charger plug into the tool.
- ◆ DO NOT modify the charger plug of a non-compatible charger in any way to fit into the tool as the battery may rupture causing serious personal injury.
- ◆ DO NOT charge or use the battery in explosive atmospheres, such as in the presence of flammable liquids, gases or dust.
Inserting or removing the charger plug from the tool may ignite the dust or fumes.
- ◆ Only charge the battery with the provided charge lead and a suitable class 2 power supply.
- ◆ DO NOT splash or immerse in water.
- ◆ DO NOT allow water or any liquid to enter tool.
- ◆ DO NOT store or use the tool in locations where the temperature may reach or exceed 104 °F (40 °C) (such as outside sheds or metal buildings in summer). For best life store tools in a cool, dry location.
- ◆ Do not store the tool with the switch locked on. Never tape the switch in the ON position.
- ◆ DO NOT incinerate the tool even if it is severely damaged or is completely worn out. The battery can explode in a fire. Toxic fumes and materials are created when lithium-ion batteries are burned.
- ◆ If battery contents come into contact with the skin, immediately wash area with mild soap and water. If battery liquid gets into the eye, rinse water over the open eye for 15 minutes or until irritation ceases. If medical attention is needed, the battery electrolyte is composed of a mixture of liquid organic carbonates and lithium salts.
- ◆ Contents of opened battery cells may cause respiratory irritation. Provide fresh air. If symptoms persist, seek medical attention.
- ◆ Battery liquid may be flammable if exposed to spark or flame.
- ◆ Never attempt to open the tool for any reason. If the tool case is cracked or damaged, do not charge. Do not crush, drop or damage the tool.
Do not use a tool or charger that has received a sharp blow, been dropped, run over or damaged in any way (e.g., pierced with a nail, hit with a hammer, stepped on).

Damaged tools should be returned to the service center for recycling.

Storage recommendations

The best storage place is one that is cool and dry, away from direct sunlight and excess heat or cold.
Store the fully charged tool disconnected from the charger.

Transportation

Note: Integral Li-ion tools should not be put in checked baggage on airplanes and must be properly protected from short circuits if they are in carry-on baggage.

Important safety instructions for all integral battery charging

- Warning!** Read all safety warnings, instructions, and cautionary markings for the battery, charging cable and product. Failure to follow the warnings and instructions may result in electric shock, fire and/or serious injury.
- ◆ Use only with the Listed/Certified Information Technology (computer) Equipment.
 - ◆ DO NOT expose charging cable to water, rain or snow.
 - ◆ Pull by the plugs rather than the cord when disconnecting the charging cable. This will reduce the risk of damage to the plugs and cord.
 - ◆ Make sure that the cord is located so that it will not be stepped on, tripped over or otherwise subjected to damage or stress.
 - ◆ When charging the tool outdoors, always provide a dry location.
 - ◆ DO NOT use a charging cable with a damaged cord or plugs. Have them replaced immediately.
 - ◆ Foreign materials of a conductive nature, such as, but not limited to, grinding dust, metal chips, steel wool, aluminum foil or any buildup of metallic particles should be kept away from the charging and micro charging plugs and port.
 - ◆ Always unplug the charging cable from the power supply when there is no tool attached to it.

Features

This appliance includes some or all of the following features:

1. Trigger
2. Power switch
3. Charge indicator/ready to use LED
4. Contact trip
5. Magazine
6. Magazine release clip
7. Stapler viewing window
8. Charge port
9. Charge lead

Assembly

Warning! To reduce the risk of serious personal injury, turn unit off and keep away from the on-off button before making any adjustments or removing/installing attachments or accessories. An accidental start-up can cause injury.

Charging procedure (fig. A)

Warning! Do not use tool while it is connected to the charger.

- ◆ Insert the charging plug (9) into the charge port (8).
- ◆ Plug the charging plug into any charging port (such as on a computer).
- ◆ The charging indicator LED (3) will flash red while charging.
- ◆ The charging indicator LED will change to solid green when fully charged.
- ◆ Battery can be left charging or charger can be disconnected.

Important charging notes

- ◆ The charger and tool may become warm to the touch while charging.
This is a normal condition, and does not indicate a problem. To facilitate the cooling of the tool after use, avoid placing the charger or tool in a warm environment such as in a metal shed or an uninsulated trailer.
- ◆ If the tool does not charge properly, take the tool and charger to your local service center.
- ◆ You may charge a partially used battery whenever you desire with no adverse effect on the tool.

Assembly and adjustments

Warning! To reduce the risk of serious personal injury, turn unit off and keep away from the trigger before making any adjustments or removing/installing attachments or accessories. An accidental start-up can cause injury.

Preparing the tool

Warning! Keep the tool pointed away from yourself and others. Serious personal injury may result.

Warning! To reduce the risk of serious personal injury, ensure power switch is in the off position and keep hands away from trigger and remove staples and brad nails from magazine before making adjustments.

Warning! NEVER spray or in any other way apply lubricants or cleaning solvents inside the tool. This can seriously affect the life and performance of the tool.

- ◆ Read the Safety Instruction section of this manual.
- ◆ Wear eye and ear protection.
- ◆ Ensure magazine 5 is empty of all fasteners.
- ◆ Place contact trip 4 onto work surface to check for smooth and proper operation of contact trip. Do not use tool if it is not functioning properly. NEVER use a tool that has the contact trip restrained in the actuated position.

- ◆ Keep tool pointed away from yourself and others.

Loading the tool (Fig. B)

Warning! Keep the tool pointed away from yourself and others. Serious personal injury may result.

Warning! Always ensure the power switch is in the off position before loading or unloading.

Warning! Never load staples/brad nails with the contact trip or trigger activated. Personal injury may result.

Universal compatibility with heavy duty staples 6mm-14mm, 10.6mm crown width, and 15mm brad nails.

- ◆ Pinch the magazine release clip (6) and pull out the sliding magazine (5).
- ◆ Load fasteners. Ensure staples are loaded so that crown of the staples sits against inside surface of the magazine.

Note: The head of the brad nail must sit against the left, inside surface of the magazine. If loaded on right side the magazine will not close.

- ◆ Close sliding magazine until the magazine latch clips snugly in place.

Unloading the tool

Warning! Always ensure the power switch is in the off (0) position.

- ◆ Pinch the magazine release clip (6) and pull out the sliding magazine (5).
- ◆ Tip the tool to the side until the staples slide freely out of the bottom of the magazine.
- ◆ Check to ensure no loose staples remain inside magazine.
- ◆ Close sliding magazine fully.

Clearing a jammed staple

If a staple becomes jammed in the magazine, keep the tool pointed away from you and follow these instructions to clear.

Warning! Always ensure the power switch is in the off position before clearing a jammed staple

- ◆ Pinch the magazine release clip (6) and remove any loaded staples.
- ◆ Visually check inside magazine (5) for any jammed staples.
- ◆ Remove bent staple using pliers if necessary.
- ◆ Reinsert staples into magazine (see Loading the Tool).

Operation

Warning! To reduce the risk of serious personal injury, turn unit off and keep away from the trigger before making any adjustments or removing/installing attachments or accessories. An accidental start-up can cause injury.

Trigger operation (Fig. C)

Warning! Always wear proper eye and hearing protection when operating tool.

Warning! Keep fingers AWAY from trigger when not driving staples to avoid accidental fastener discharge. NEVER carry tool with finger on trigger.

- ◆ Push the power switch (2) from "O" to "I" to turn stapler on.
- ◆ Fully depress contact trip (4) against the work surface and the green indicator (3) should light up.
- ◆ Pull trigger (1) fastener will drive into work surface.

Note: Maintain downward pressure on work surface until the fastener is driven into the work surface.

- ◆ Release trigger.
- ◆ Lift contact trip off work surface.
- ◆ Repeat steps 1 through 4 for next application.

Note: The contact trip needs to be depressed followed by a trigger pull for each fastener followed by a release of both the contact trip and trigger after each fastener.

Correct hand position (Fig. D)

Warning! To reduce the risk of serious personal injury, **ALWAYS** use proper hand position as shown.

Warning! To reduce the risk of serious personal injury, **ALWAYS** hold securely in anticipation of a sudden reaction. Correct hand position requires one hand on the main handle.

Maintenance

Your BLACK+DECKER appliance has been designed to operate over a long period of time with a minimum of maintenance. Continuous satisfactory operation depends upon proper care and regular cleaning.

- ◆ Regularly clean the appliance using a damp cloth. Do not use any abrasive or solvent-based cleaner. Never let any liquid get inside the appliance and never immerse any part of the appliance into liquid.

Accessories

Warning! Since accessories, other than those offered by BLACK+DECKER, have not been tested with this product, use of such accessories with this tool could be hazardous. To reduce the risk of injury, only BLACK+DECKER recommended accessories should be used with this product.

Recommended accessories for use with your tool are available at extra cost from your local dealer or authorized service center.

- ◆ TRA704T – 6mm Flat Wire Staple 10.6x 1.26mm
- ◆ TRA705T – 8 mm Flat Wire Staple 10.6x 1.26mm
- ◆ TRA706T – 10mm Flat Wire Staple 10.6x 1.26mm
- ◆ TRA708T – 12mm Flat Wire Staple 10.6x 1.26mm
- ◆ TRA709T – 14mm Flat Wire Staple 10.6x 1.26mm
- ◆ SWK-BN0625T – 15mm/5/8"/18ga brad nails J type

Protecting the environment



Separate collection. Products and batteries marked with this symbol must not be disposed of with normal household waste.

Products and batteries contain materials that can be recovered or recycled reducing the demand for raw materials.

Please recycle electrical products and batteries according to local provisions.

Further information is available at www.2helpU.com

Technical data

		BCN115
Voltage	V _{DC}	3.6
Staple size	mm	6 - 14
Brad nail size	mm	15
Weight	kg	0.9

Level of sound pressure according to EN 660745:	
Emission Sound pressure level: (L _{TPA}): 77 dB(A); K=3 dB(A);	
Measured Sound power level: (L _{WA}): 88 dB(A); K=3 dB(A);	
Vibration total values (triax vector sum) according to EN 60745:	
Vibration level: (ah): 5.7 m/s ² ; K=1.5 m/s ²	

Declaration of conformity
The Supply of Machinery (Safety)
Regulations 2008



BCN115 Crafting Stapler

Black & Decker declares that these products described under "technical data" are in compliance with:

The Supply of Machinery (Safety) Regulations, 2008, S.I. 2008/1597 (as amended), EN60745-1:2009+A11:2010 and EN60745-2-16:2010.

These products conform to the following UK Regulations: Electromagnetic Compatibility Regulations, 2016, S.I.2016/1091 (as amended).

The Restriction of the Use of Certain Hazardous Substances in Electrical and Electronic Equipment Regulations 2012, S.I. 2012/3032 (as amended).

For more information, please contact Black & Decker at the following address or refer to the back of the manual.

The undersigned is responsible for compilation of the technical file and makes this declaration on behalf of Black & Decker.

Ed Higgins

Director - Consumer Power Tools
Black and Decker UK, 270 Bath Road, Slough
Berkshire, SL1 4DX
United Kingdom

15/12/2021

EC declaration of conformity

MACHINERY DIRECTIVE



BCN115 Crafting Stapler

Black & Decker declares that these products described under "technical data" are in compliance with:

2006/42/EC, EN60745-1:2009+A11:2010 and EN60745-2-16:2010, These products also comply with Directives 2014/30/EU and 2011/65/EU.

For more information, please contact Black & Decker at the following address or refer to the back of the manual.

The undersigned is responsible for compilation of the technical file and makes this declaration on behalf of Black & Decker.

Patrick Diepenbach
General Manager, Benelux
Black and Decker,
Egide Walschaertsstraat 14-18
2800 Mechelen, Belgium
15/12/2021

Garantie

Black & Decker is confident of the quality of its products and offers consumers a 24 month guarantee from the date of purchase. This guarantee is in addition to and in no way prejudices your statutory rights. The guarantee is valid within the territories of the Member States of the European Union and the European Free Trade Area.

To claim on the guarantee, the claim must be in accordance with Black&Decker Terms and Conditions and you will need to submit proof of purchase to the seller or an authorised repair agent.

Terms and conditions of the Black&Decker 2 year guarantee and the location of your nearest authorised repair agent can be obtained on the Internet at www.2helpU.com, or by contacting your local Black & Decker office at the address indicated in this manual.

Please visit our website www.blackanddecker.co.uk to register your new BLACK+DECKER product and receive updates on new products and special offers.

Verwendungszweck

Ihr BLACK+DECKER™ Akku-Klammergerät BCN115 wurde für kunsthandwerkliche Anwendungen entwickelt. Dieses Gerät ist nicht für den gewerblichen Einsatz vorgesehen. Nicht zum Befestigen von Stromkabeln geeignet.

Sicherheitshinweise

Allgemeine Sicherheitswarnungen für das Gerät



Warnung! Beachten Sie alle Sicherheitshinweise, Anweisungen, Darstellungen und Daten, die Sie mit dem Gerät erhalten. Die Nichteinhaltung der folgenden Warnungen und Anweisungen kann einen elektrischen Schlag, Brand und/oder schwere Verletzungen verursachen.

Bewahren Sie alle Warnhinweise und alle Anweisungen gut auf. Der nachfolgend verwendete Begriff „Gerät“ bezieht sich auf netzbetriebene Geräte (mit Netzkabel) und auf akkubetriebene Geräte (ohne Netzkabel).

1. Sicherheit im Arbeitsbereich

- a. **Halten Sie Ihren Arbeitsbereich sauber und gut ausgeleuchtet.** Unaufgeräumte oder dunkle Bereiche begünstigen Unfälle.
- b. **Betreiben Sie das Gerät nicht in Umgebungen, in denen Explosionsgefahr z. B. aufgrund von brennbaren Flüssigkeiten, Gasen oder Staub besteht.** Geräte erzeugen Funken, die den Staub oder die Dämpfe entzünden können.
- c. **Halten Sie Kinder und andere Personen während der Benutzung eines Geräts fern.** Bei Ablenkung können Sie die Kontrolle verlieren.

2. Elektrische Sicherheit

- a. **Der Netzstecker des Geräts muss in die Steckdose passen. Ändern Sie niemals den Stecker in irgendeiner Form.**
Verwenden Sie keinerlei Adapterstecker an geerdeten Elektrogeräten. Unveränderte Stecker und passende Steckdosen mindern die Gefahr eines elektrischen Schlags.
- b. **Vermeiden Sie Körperkontakt mit geerdeten Oberflächen von Rohren, Heizungen, Herden und Kühlschränken.** Es besteht eine erhöhte Gefahr für einen elektrischen Schlag, wenn Ihr Körper geerdet ist.
- c. **Halten Sie Geräte von Regen und Nässe fern.** Das Eindringen von Wasser in ein Gerät erhöht das Risiko eines elektrischen Schlags.
- d. **Verwenden Sie das Kabel ordnungsgemäß. Verwenden Sie es niemals zum Tragen.**

- Trennen Sie das Gerät nicht durch Ziehen am Kabel vom Netz. Halten Sie das Kabel fern von Hitze, Öl, scharfen Kanten oder beweglichen Teilen.** Beschädigte oder verhedderte Kabel erhöhen die Gefahr eines elektrischen Schlages.
- e. Verwenden Sie nur für den Außenbereich zugelassene Verlängerungskabel, wenn Sie mit dem Gerät im Freien arbeiten.** Die Verwendung eines für den Außenbereich geeigneten Verlängerungskabels verringert das Risiko eines elektrischen Schlags.
- f. Wenn das Gerät in einer feuchten Umgebung verwendet werden muss, schließen Sie es unbedingt an eine Steckdose mit Fehlerstromschutzschalter (FI-Schalter) an.** Ein Fehlerstromschutzschalter verringert das Risiko eines elektrischen Schlags.
- 3. Sicherheit von Personen**
- a. Seien Sie aufmerksam, achten Sie darauf, was Sie tun, und gehen Sie sachgerecht mit einem Gerät um. Benutzen Sie kein Gerät, wenn Sie müde sind oder unter dem Einfluss von Drogen, Alkohol oder Medikamenten stehen.** Ein Moment der Unachtsamkeit beim Betrieb eines Geräts kann zu schweren Verletzungen führen.
- b. Verwenden Sie eine geeignete Schutzausrüstung. Tragen Sie immer einen Augenschutz.** Das Tragen persönlicher Schutzausrüstung, wie Staubmaske, rutschfeste Sicherheitsschuhe, Schutzhelm oder Gehörschutz, je nach Art und Einsatz des Elektrowerkzeuges, verringert das Risiko von Verletzungen.
- c. Vermeiden Sie eine unbeabsichtigte Inbetriebnahme. Vergewissern Sie sich, dass das Gerät ausgeschaltet ist, bevor Sie es an eine Steckdose oder einen Akku anschließen, es hochheben oder tragen.** Wenn Sie beim Tragen des Geräts den Finger am Schalter haben oder das Gerät eingeschaltet an die Stromversorgung anschließen, kann dies zu Unfällen führen.
- d. Entfernen Sie Einstell- oder Schraubenschlüssel, bevor Sie das Gerät einschalten.** Werkzeuge oder Schlüssel, die an rotierenden Teilen des Elektrogerätes angebracht sind, können zu Verletzungen führen.
- e. Beugen Sie sich nicht zu weit nach vorne. Sorgen Sie für einen sicheren Stand und halten Sie jederzeit das Gleichgewicht.** Dadurch können Sie das Gerät in unerwarteten Situationen besser kontrollieren.
- f. Tragen Sie geeignete Kleidung. Tragen Sie keine weite Kleidung und keinen Schmuck. Halten Sie Ihre Haare und Kleidung von beweglichen Teilen fern.** Lose sitzende Kleidung, Schmuck oder lange Haare können sich in den beweglichen Teilen verfangen.
- g. Falls Vorrichtungen zum Absaugen oder Auffangen von Staub vorhanden sind, vergewissern Sie sich, dass diese angeschlossen sind und richtig verwendet werden.** Das Verwenden einer Staubauffangvorrichtung verringert Gefährdungen durch Staub.
- h. Vermeiden Sie, durch die häufige Nutzung des Werkzeugs in einen Trott zu verfallen und Prinzipien für die Werkzeugsicherheit zu ignorieren.** Eine unachtsame Aktion kann im Bruchteil einer Sekunde zu schweren Verletzungen führen.
- 4. Gebrauch und Pflege von Geräten**
- a. Überlasten Sie das Gerät nicht. Verwenden Sie das für Ihre Arbeit passende Gerät.**
Das richtige Gerät wird die Aufgabe besser und sicherer erledigen, wenn es bestimmungsgemäß verwendet wird.
- b. Verwenden Sie das Gerät nicht, wenn der Ein-/Ausschalter nicht funktioniert.** Ein Gerät, das sich nicht mehr ein- oder ausschalten lässt, ist gefährlich und muss repariert werden.
- c. Trennen Sie den Stecker vom Netz und/oder, falls abnehmbar, den Akku vom Elektrogerät, bevor Sie Einstellungen am Gerät vornehmen, Zubehör wechseln oder es aufbewahren. Diese Vorbeugemaßnahmen mindern die Gefahr, dass das Elektrogerät unbeabsichtigt startet.** Diese Vorbeugemaßnahmen mindern die Gefahr, dass das Elektrogerät unbeabsichtigt startet.
- d. Bewahren Sie unbenutzte Geräte außerhalb der Reichweite von Kindern auf. Lassen Sie Geräte nicht von Personen benutzen, die damit nicht vertraut sind oder diese Anweisungen nicht gelesen haben.** Geräte sind in den Händen nicht geschulter Personen gefährlich.
- e. Halten Sie das Gerät und sein Zubehör in einem einwandfreien Zustand. Kontrollieren Sie, ob bewegliche Teile falsch ausgerichtet sind oder klemmen und ob Teile gebrochen oder so beschädigt sind, dass die Funktion des Geräts beeinträchtigt ist. Bei Beschädigungen lassen Sie das Gerät reparieren, bevor Sie es verwenden.** Viele Unfälle entstehen wegen mangelnder Wartung der Geräte.
- f. Halten Sie Schneidgeräte scharf und sauber.** Richtig gewartete Schneidwerkzeuge mit scharfen Klingen blockieren seltener und sind leichter unter Kontrolle zu halten.
- g. Benutzen Sie Elektrowerkzeuge, Zubehör, Werkzeugspitzen und Ähnliches in Übereinstimmung mit diesen Anweisungen und auf die für das jeweilige Elektrowerkzeug bestimmungsgemäße Weise und beachten Sie dabei die jeweiligen Arbeitsbedingungen und die Art der auszuführenden Arbeiten.**

Der Gebrauch von Geräten für andere als die vorgesehenen Zwecke kann zu gefährlichen Situationen führen.

- h. Halten Sie die Griffe trocken, sauber und frei von Öl und Fett.** Rutschige Griffe und Oberflächen unterbinden die sichere Bedienbarkeit und Kontrolle über das Werkzeug in unerwarteten Situationen.
- 5. Gebrauch und Pflege von Akkuwerkzeugen**
- a. Laden Sie den Akku nur mit dem vom Hersteller vorgesehenen Ladegerät auf.** Für ein Ladegerät, das nur für eine bestimmte Akkuart geeignet ist, besteht Brandgefahr, wenn es mit anderen Akkus verwendet wird.
- b. Verwenden Sie nur die für das jeweilige Gerät vorgesehenen Akkus.** Die Verwendung anderer Akkus kann zu Verletzungen oder Bränden führen.
- c. Bewahren Sie den Akku bei Nichtbenutzung nicht in der Nähe metallischer Objekte wie Büroklammern, Münzen, Schlüsseln, Nägeln oder Schrauben auf, da diese eine Verbindung zwischen beiden Polen des Akkus herstellen können.** Durch den dadurch entstehenden Kurzschluss kann der Akku in Brand geraten.
- d. Bei falscher Anwendung kann Flüssigkeit aus dem Akku austreten. Vermeiden Sie den Kontakt damit. Bei unbeabsichtigtem Kontakt mit Wasser abspülen. Gelangt die Flüssigkeit in die Augen, ziehen Sie außerdem ärztliche Hilfe hinzu.** Austretende Akkuflüssigkeit kann zu Hautreizungen oder Verbrennungen führen.
- e. Verwenden Sie keine beschädigten oder modifizierten Akkus oder Werkzeuge.** Beschädigte oder modifizierte Akkus können ein unvorhersehbares Verhalten zeigen, das zu Feuer, Explosionen oder Verletzungen führen kann.
- f. Setzen Sie den Akku oder das Werkzeug keinem Feuer oder übermäßigen Temperaturen aus.** Die Einwirkung von Feuer oder Temperaturen über 130 °C kann eine Explosion verursachen. HINWEIS: Die Temperaturangabe „130 °C“ kann durch die Temperaturangabe „265 °F“ ersetzt werden.
- g. Befolgen Sie alle Ladeanweisungen und laden Sie den Akku oder das Werkzeug nicht außerhalb des in den Anweisungen angegebenen Temperaturbereichs.** Unsachgemäßes Laden oder Laden bei Temperaturen außerhalb des angegebenen Bereichs kann den Akku beschädigen und die Brandgefahr erhöhen.
- 6. Service**
- a. Lassen Sie das Gerät nur von qualifiziertem Fachpersonal und nur mit Originalersatzteilen reparieren.** Damit wird sichergestellt, dass die Sicherheit des Geräts erhalten bleibt.

- b. Führen Sie an beschädigten Akkus niemals Wartungsarbeiten durch.** Die Wartung von Akkus darf nur vom Hersteller selbst oder autorisierten Dienstleistern durchgeführt werden.

Zusätzliche Sicherheitshinweise für Akku-Klammergeräte

- ◆ Tragen Sie immer eine Schutzbrille.
- ◆ Tragen Sie immer einen Gehörschutz.
- ◆ Verwenden Sie Befestigungselemente nur des im Handbuch angegebenen Typs.
- ◆ Verwenden Sie keinen Ständer zur Befestigung des Werkzeugs an einer Stütze.
- ◆ Demontieren oder blockieren Sie keine Teile des Eintreibergeräts, wie die Kontaktauslösung.
- ◆ Prüfen Sie vor jeder Verwendung, ob der Sicherheits- und Auslösemechanismus richtig funktioniert und dass alle Schrauben und Muttern fest angezogen sind.
- ◆ Verwenden Sie das Werkzeug nicht als Hammer.
- ◆ Verwenden Sie das Werkzeug nicht auf einer Leiter.
- ◆ Richten Sie ein laufendes Eintreibergerät nie auf sich selbst oder auf andere Personen.
- ◆ Halten Sie das Werkzeug während der Arbeit so, dass bei einem möglichen Rückstoß, der aufgrund einer Störung der Stromversorgung oder durch harte Bereiche innerhalb des Werkstücks entstehen kann, keine Verletzungen an Kopf oder Körper verursacht werden können.
- ◆ Betätigen Sie das Eintreibergerät nie in Richtung eines freien Raums.
- ◆ Tragen Sie das Werkzeug im Arbeitsbereich immer nur an einem Handgriff und niemals bei betätigtem Auslöser.
- ◆ Beachten Sie die Bedingungen des Arbeitsbereichs. Befestigungsmittel können dünne Werkstücke durchdringen oder an Ecken oder Kanten des Werkstücks abrutschen, wodurch eine Verletzungsgefahr entstehen kann.
- ◆ Treiben Sie Befestigungsmittel nicht nah an der Kante des Werkstücks ein.
- ◆ Treiben Sie Befestigungsmittel nicht über anderen Befestigungsmitteln ein.
- ◆ Gehen Sie stets davon aus, dass das Werkzeug Befestigungsmittel enthält. Die sorglose Behandlung der Nagelmaschine kann zum unerwarteten Abfeuern der Nägel und zu Verletzungen führen.
- ◆ Zeigen Sie mit dem Werkzeug nicht auf sich selbst oder in Richtung anderer Personen. Bei unerwarteter Auslösung werden Nägel abgegeben, wodurch Verletzungen verursacht werden.
- ◆ Betätigen Sie das Werkzeug nur, wenn es fest am Werkstück anliegt.

Wenn das Werkzeug keinen Kontakt hat, kann das Befestigungsmittel vom vorgesehenen Ziel abgelenkt werden.

- ◆ **Wenn eine Klammer im Werkzeug stecken bleibt, trennen Sie die Stromversorgung.** Wenn Sie einen klemmenden Nagel entfernen, kann die Nagelmaschine unbeabsichtigt eingeschaltet werden, wenn sie in eine Steckdose eingesteckt ist.
- ◆ **Verwenden Sie dieses Werkzeug nicht zu Befestigen von Elektrokabeln.** Das Werkzeug ist nicht für die Installation von Elektrokabeln vorgesehen und kann deren Isolierung beschädigen, wodurch Stromschläge oder Brände verursacht werden können.

Warnsymbole am Gerät

Folgende Symbole sowie der Datumscode befinden sich auf dem Gerät:



Warnung! Lesen Sie vor Gebrauch die Anleitung. Andernfalls besteht Verletzungsgefahr.

Vibration

Der in diesem Informationsblatt angegebene Vibrations- und/oder Geräuschemissionswert wurde gemäß einem standardisierten Test laut EN60745 gemessen und kann für einen Vergleich zwischen zwei Geräten verwendet werden. Er kann zu einer vorläufigen Einschätzung der Exposition verwendet werden.

WARNUNG: Der angegebene Vibrations- und/oder Geräuschemissionswert bezieht sich auf die Hauptanwendung des Geräts. Wenn das Gerät jedoch für andere Anwendungen, mit anderem Zubehör oder schlecht gewartet eingesetzt wird, kann die Vibrations- und/oder Geräuschemission verschieden sein. Dies kann den Expositionsgrad über die Gesamtbetriebszeit erheblich erhöhen.

Eine Schätzung der Vibrations- und/oder Geräuschstärke sollte auch berücksichtigen, wie oft das Gerät ausgeschaltet wird oder über welche Zeit es zwar läuft, aber nicht wirklich in Betrieb ist.

Wichtige Sicherheitshinweise für alle Werkzeuge mit integriertem Akku

Warnung! Lesen Sie alle Sicherheitshinweise, Anweisungen und Warnhinweise für den Akku, das Ladegerät und das Produkt. Das Nichtbeachten von Warnhinweisen und Anweisungen kann zu elektrischem Schlag, Brand und/oder schweren Verletzungen führen.

- ◆ Drücken Sie niemals einen Stecker des Ladegeräts mit Gewalt in das Werkzeug.

- ◆ Modifizieren Sie den Stecker eines nicht-kompatiblen Ladegeräts NICHT so, dass er in das Werkzeug passt, da der Akku sonst reißen und schwere Verletzungen verursachen kann.
- ◆ Laden oder verwenden Sie den Akku NICHT in explosionsgefährdeter Umgebung, in der sich brennbare Flüssigkeiten, Gase oder Staub befinden. Beim Einstecken und Entfernen des Ladegeräts aus dem Werkzeug können sich Staub oder Dämpfe entzünden.
- ◆ Laden Sie den Akku nur mit dem mitgelieferten Ladekabel und einem geeigneten Klasse-2-Netzteil auf.
- ◆ Das Werkzeug KEINEM Spritzwasser aussetzen oder in Wasser tauchen.
- ◆ NICHT zulassen, dass Wasser oder irgendeine Flüssigkeit in das Werkzeug eindringt.
- ◆ Das Werkzeug NICHT in Bereichen lagern oder verwenden, in denen die Temperatur 40 °C erreichen oder überschreiten könnte (z. B. Scheunen oder Metallgebäude im Sommer). Für optimale Lebensdauer das Werkzeug an einem kühlen, trockenen Ort lagern.
- ◆ Das Werkzeug nicht lagern, wenn der Schalter noch gesperrt ist. Niemals einen Schalter in seiner Einschaltstellung mit Hilfe von Klebeband arretieren.
- ◆ Das Werkzeug NICHT verbrennen, auch nicht bei schwerer Beschädigung oder völliger Entleerung. Der Akku kann im Feuer explodieren. Es entstehen giftige Dämpfe und Stoffe, wenn Lithium-Ionen-Akkus verbrannt werden.
- ◆ Wenn der Inhalt des Akkus mit der Haut in Berührung kommt, den Bereich sofort mit milder Seife und Wasser abwaschen. Falls die Flüssigkeit in die Augen gelangt, das offene Auge 15 Minuten lang spülen, oder bis die Reizung aufhört. Ist ärztliche Hilfe erforderlich, geben Sie an, dass das Elektrolyt des Akkus eine Mischung aus flüssigen organischen Carbonaten und Lithiumsalzen ist.
- ◆ Der Inhalt von geöffneten Akkuzellen kann die Atemwege reizen. Für Frischluft sorgen. Bei anhaltenden Beschwerden einen Arzt aufsuchen.
- ◆ Die Akkuflüssigkeit kann brennbar sein, wenn sie Funken oder Flammen ausgesetzt wird.
- ◆ Keinesfalls versuchen, das Werkzeug zu öffnen. Nicht aufladen, wenn das Werkzeug gerissen oder beschädigt ist. Das Werkzeug nicht quetschen, fallen lassen oder beschädigen. Verwenden Sie niemals ein Werkzeug oder ein Ladegerät, wenn sie einen harten Schlag erlitten haben, fallen gelassen, überfahren oder sonst wie beschädigt wurden (z. B. wenn sie mit einem Nagel durchlöchert wurden, mit einem Hammer darauf geschlagen oder darauf getreten wurde). Beschädigte Werkzeuge sollten zum Recycling zur Kundendienststelle zurückgebracht werden.

Empfehlungen für die Lagerung

Der beste Aufbewahrungsort ist kühl und trocken, ohne direkte Sonneneinstrahlung und übermäßige Wärme oder Kälte. Bewahren Sie das vollständig geladene Werkzeug getrennt vom Ladegerät auf.

Transport

Hinweis: Werkzeuge mit integriertem Li-Ion-Akku sollten in Flugzeugen nicht im aufgegebenen Gepäck mitgeführt werden. Sie müssen ordnungsgemäß vor Kurzschlüssen geschützt werden, wenn sie sich im Handgepäck befinden.

Wichtige Sicherheitshinweise zum Aufladen von Werkzeugen mit integriertem Akku

Warnung! Lesen Sie alle Sicherheitshinweise, Anweisungen und Warnhinweise für den Akku, das Ladekabel und das Produkt. Das Nichtbeachten von Warnhinweisen und Anweisungen kann zu elektrischem Schlag, Brand und/oder schweren Verletzungen führen.

- ◆ Nur mit den aufgelisteten/zertifizierten Geräten aus dem Bereich Informationstechnologie (Computer) verwenden.
- ◆ Setzen Sie das Ladekabel weder Wasser, noch Regen oder Schnee aus.
- ◆ Fassen Sie das Kabel beim Abziehen an den Steckern und nicht am Ladekabel an. Dadurch wird das Risiko von Schäden an Steckern und Kabel verringert.
- ◆ Stellen Sie sicher, dass das Kabel so platziert wird, das nicht darauf getreten bzw. darüber gestolpert oder es anderweitig beschädigt oder belastet wird.
- ◆ Wenn Sie das Werkzeug im Freien aufladen, sorgen Sie immer für einen trockenen Standort.
- ◆ Ladekabel NICHT verwenden, wenn Kabel oder Stecker beschädigt sind. Lassen Sie beschädigte Teile sofort ersetzen.
- ◆ Leitende Fremdmaterialien, wie z. B. Schleifstaub, Metallspäne, Stahlwolle, Aluminiumfolie oder die Ansammlung von Metallpartikeln von den Ladeanschlüssen und den Micro-Ladesteckern und -Ladeanschlüssen fernhalten.
- ◆ Trennen Sie das Ladekabel immer vom Netzteil, wenn kein Werkzeug daran befestigt ist.

Merkmale

Dieses Gerät verfügt über einige oder alle der folgenden Funktionsmerkmale:

1. Auslöser
2. Netzschalter
3. Lade-/Bereitschaftskontrollleuchte
4. Kontaktauslöser
5. Magazin
6. Magazinlöseclip
7. Sichtfenster des Klammergeräts
8. Ladeanschluss
9. Ladeleitung

Montage

Warnung! Zur Reduzierung des Risikos schwerer Verletzungen schalten Sie vor jeder Einstellung und jedem Abnehmen/Installieren von Zubehör das Gerät aus und halten Sie es vom Ein-/Aussschalter fern. Ungewolltes Anlaufen kann Verletzungen verursachen.

Aufladen (Abb. A)

Warnung! Benutzen Sie das Gerät nicht, während es noch mit dem Ladegerät verbunden ist.

- ◆ Verbinden Sie den Ladestecker (9) mit dem Ladeanschluss (8).
- ◆ Stecken Sie den Ladestecker in einen beliebigen Ladeanschluss (z.B. an einem Computer).
- ◆ Die Ladekontrollleuchte (3) blinkt während des Ladevorgangs rot.
- ◆ Die Ladekontrollleuchte leuchtet durchgehend grün, wenn das Gerät vollständig geladen ist.
- ◆ Der Akku kann weiter aufgeladen werden oder das Ladegerät kann abgezogen werden.

Wichtige Hinweise zum Aufladen

- ◆ Das Ladegerät und das Werkzeug können sich während des Ladevorgangs warm anfühlen. Dies ist ein normaler Zustand und weist nicht auf ein Problem hin. Um das Abkühlen des Ladegeräts oder Werkzeugs nach dem Gebrauch zu erleichtern, platzieren Sie es nicht in einer warmen Umgebung, wie beispielsweise in einem Metallschuppen oder einem nicht isolierten Wohnwagen.
- ◆ Wenn das Werkzeug nicht ordnungsgemäß aufgeladen wird, bringen Sie das Werkzeug und das Ladegerät zu Ihrer örtlichen Kundendienststelle.
- ◆ Sie können einen teilweise entleerten Akku jederzeit aufladen, ohne dass dies nachteilige Auswirkungen auf das Werkzeug hat.

Zusammenbauen und Einstellen

Warnung! Um die Gefahr schwerer Verletzungen zu mindern, schalten Sie das Werkzeug aus und halten Sie es vom Auslöser fern, bevor Sie Einstellungen vornehmen oder Anbaugeräte oder Zubehör anbringen oder entfernen. Ungewolltes Anlaufen kann Verletzungen verursachen.

Vorbereiten des Werkzeugs

Warnung! Halten Sie das Werkzeug von sich und anderen weg. Dies könnte zu schweren Verletzungen führen.

Warnung! Um die Gefahr schwerer Verletzungen zu verringern, vergewissern Sie sich, dass der Netzschalter ausgeschaltet ist. Halten Sie die Hände vom Auslöser fern und entfernen Sie Klammern und Stiftnägel aus dem Magazin, bevor Sie Einstellungen vornehmen.

Warnung! Sprühen Sie NIE Schmiermittel oder Reinigungslösungen in das Innere des Werkzeugs oder tragen diese auf irgendeine andere Weise auf. Das kann die Lebensdauer und Leistung des Werkzeugs ernsthaft beeinträchtigen.

- ◆ Lesen Sie die Sicherheitshinweise in dieser Anleitung.
- ◆ Tragen Sie Augen- und Gehörschutz.
- ◆ Stellen Sie sicher, dass im Magazin (5) keine Befestigungselemente mehr vorhanden sind.
- ◆ Setzen Sie den Kontaktauslöser (4) auf die Arbeitsfläche auf, um einen reibungslosen und ordnungsgemäßen Betrieb des Kontaktauslösers zu gewährleisten. Sehen Sie von einer Verwendung des Werkzeugs ab, wenn es nicht einwandfrei arbeitet. NIEMALS ein Werkzeug verwenden, bei dem der Kontaktauslöser in der betätigten Position gehalten wird.
- ◆ Halten Sie das Werkzeug von sich und anderen weg.

Bestücken des Werkzeugs (Abb. B)

Warnung! Halten Sie das Werkzeug von sich und anderen weg. Dies könnte zu schweren Verletzungen führen.

Warnung! Achten Sie immer darauf, dass sich der Ein-/Ausschalter in der Position „Aus“ befindet, bevor Sie Klammern/Nägel in das Gerät einlegen oder daraus entfernen.

Warnung! Legen Sie niemals Klammern/Nägel ein, wenn die Kontaktauslösung oder der Auslöser aktiviert ist. Dies könnte zu Verletzungen führen.

Universelle Kompatibilität mit Schwerlastklammern 6mm-14mm, 10,6mm Kronenbreite und 15mm Stiftnägel.

- ◆ Den Magazinlöseclip (6) zusammendrücken und das Schiebemagazin (5) herausziehen.
- ◆ Laden Sie Befestigungselemente. Stellen Sie sicher, dass die Klammern so eingelegt sind, dass ihre Krone an der Innenseite des Magazins anliegt.

Hinweis: Der Kopf des Nagels muss an der linken Innenseite des Magazins anliegen. Wenn er auf der rechten Seite anliegt, lässt sich das Magazin nicht schließen.

- ◆ Schiebemagazin schließen, bis der Magazinriegel fest einrastet.

Entladen des Geräts

Warnung! Achten Sie immer darauf, dass sich der Ein-/Ausschalter in der Position „Aus“ (0) befindet.

- ◆ Den Magazinlöseclip (6) zusammendrücken und das Schiebemagazin (5) herausziehen.
- ◆ Kippen Sie das Werkzeug zur Seite, bis die Klammern aus dem Unterteil des Magazins herausrutschen.
- ◆ Vergewissern Sie sich, dass keine lockeren Klammern im Magazin bleiben.
- ◆ Schließen Sie das Schiebemagazin vollständig.

Beseitigung einer eingeklemmten Klammer

Wenn ein Nagel im Magazin eingeklemmt ist, halten Sie das Werkzeug von sich weg und gehen Sie folgendermaßen vor, um ihn zu entfernen:

Warnung! Achten Sie immer darauf, dass sich der Ein-/Ausschalter in der Position „Aus“ befindet, bevor Sie eingeklemmte Klammern entfernen.

- ◆ Drücken Sie den Magazinlöseclip (6) zusammen und entfernen Sie alle geladenen Klammern.
- ◆ Überprüfen Sie das Innere des Magazins (5) visuell auf eingeklemmte Klammern.
- ◆ Entfernen Sie eine verbogene Klammer gegebenenfalls mit einer Zange.
- ◆ Legen Sie die Klammern wieder ins Magazin ein (siehe Laden des Werkzeugs).

Betrieb

Warnung! Um die Gefahr schwerer Verletzungen zu mindern, schalten Sie das Werkzeug aus und halten Sie es vom Auslöser fern, bevor Sie Einstellungen vornehmen oder Anbaugeräte oder Zubehör anbringen oder entfernen. Ungewolltes Anlaufen kann Verletzungen verursachen.

Verwendung des Auslösers (Abb. C)

Warnung! Tragen Sie beim Betreiben des Werkzeugs stets geeigneten Augen- und Gehörschutz.

Warnung! Halten Sie die Finger vom Auslöser WEG, wenn keine Klammern eingetrieben werden sollen, um ein versehentliches Ausstoßen von Befestigungselementen zu vermeiden. Tragen Sie das Werkzeug NIEMALS mit dem Finger am Auslöser.

- ◆ Schieben Sie den Netzschalter (2) von „0“ auf „I“, um das Klammergerät einzuschalten.
- ◆ Drücken Sie den Kontaktauslösung (4) vollständig gegen die Arbeitsfläche, daraufhin sollte die grüne Anzeige (3) aufleuchten.
- ◆ Ziehen des Auslösers (1) treibt das Befestigungselement in die Arbeitsfläche ein.

Hinweis: Halten Sie den Druck auf die Arbeitsfläche aufrecht, bis das Befestigungselement in die Arbeitsfläche eingetrieben ist.

- ◆ Lassen Sie den Auslöser los.
- ◆ Nehmen Sie die Kontaktauslösung von der Arbeitsfläche ab.
- ◆ Wiederholen Sie bei der nächsten Anwendung die Schritte 1 bis 4.

Hinweis: Die Kontaktauslösung muss eingedrückt werden, gefolgt vom Herausziehen des Auslösers für jedes Befestigungselement, wiederum gefolgt vom Loslassen der Kontaktauslösung und des Auslösers nach jedem Befestigungselement.

Korrekte Handhaltung (Abb. D)

Warnung! Um die Gefahr schwerer Verletzungen zu mindern, beachten Sie **IMMER** die richtige Haltung der Hände, wie dargestellt.

Warnung! Um die Gefahr schwerer Verletzungen zu mindern, halten Sie das Gerät **IMMER** sicher fest und seien Sie auf eine plötzliche Reaktion gefasst.

Bei der korrekten Handposition liegt eine Hand auf dem Haupthandgriff.

Wartung

Ihr BLACK+DECKER Gerät wurde im Hinblick auf eine lange Lebensdauer und einen möglichst geringen Wartungsaufwand entwickelt. Ein kontinuierlicher, zufriedenstellender Betrieb hängt von der richtigen Pflege des Gerätes und seiner regelmäßigen Reinigung ab.

- ◆ Reinigen Sie das Gerät regelmäßig mit einem feuchten Tuch. Verwenden Sie keine scheuernden Reinigungsmittel oder Reinigungsmittel auf Lösungsmittelbasis. Achten Sie darauf, dass keine Flüssigkeit in das Gerät gelangt. Tauchen Sie keinen Teil des Gerätes in Flüssigkeit ein.

Zubehör

Warnung! Da Zubehör, das nicht von BLACK+DECKER angeboten wird, nicht mit diesem Produkt geprüft worden ist, kann die Verwendung von solchem Zubehör an diesem Gerät gefährlich sein. Um das Verletzungsrisiko zu mindern, sollte mit diesem Produkt nur von BLACK+DECKER empfohlenes Zubehör verwendet werden.

Empfohlenes Zubehör für Ihr Werkzeug können Sie bei Ihrer nächsten Kundendienststelle oder einer autorisierten Kundendienstwerkstatt erwerben.

- ◆ TRA704T – 6mm Flachdraht-Klammer 10,6x 1,26mm
- ◆ TRA705T – 8 mm Flachdraht-Klammer 10,6x 1,26mm
- ◆ TRA706T – 10mm Flachdraht-Klammer 10,6x 1,26mm
- ◆ TRA708T – 12mm Flachdraht-Klammer 10,6x 1,26mm
- ◆ TRA709T – 14mm Flachdraht-Klammer 10,6x 1,26mm
- ◆ SWK-BN0625T – 15mm/5/8"/18ga Stiftnägel, Typ J

Umweltschutz

Getrennte Entsorgung. Produkte und Akkus mit diesem Symbol dürfen nicht mit dem normalen Hausmüll entsorgt werden.

Produkte und Akkus enthalten Materialien, die wiederverwertet werden können, um den Bedarf an Rohstoffen zu verringern. Bitte recyceln Sie elektrische Produkte und Akkus gemäß den örtlichen Bestimmungen.

Weitere Informationen finden Sie auf www.2helpU.com

Technische Daten

		BCN115
Spannung	V _{DC}	3,6
Klammergröße	mm	6 - 14
Stiftnagelgröße	mm	15
Gewicht	kg	0,9

Schalldruckpegel gemäß EN 660745:

Emissions-Schalldruckpegel: (L_{pa}): 77 dB(A); K=3 dB(A);

Gemessener Schalleistungspegel: (L_{wa}): 88 dB(A); K=3 dB(A);

Gesamtvibration (Triax-Vektorsumme) gemäß EN 60745:

Schwingungspegel: (ah): 5,7 m/s²; K=1,5 m/s²

EU-Konformitätserklärung

MASCHINENRICHTLINIE



BCN115 Klammergerät für kunsthandwerkliche Arbeiten Black & Decker erklärt, dass die in den „Technischen Daten“ beschriebenen Geräte übereinstimmen mit:

2006/42/EC, EN60745-1:2009+A11:2010 und EN60745-2-16:2010, Diese Produkte entsprechen auch den Richtlinien 2014/30/EU und 2011/65/EU.

Weitere Informationen erhalten Sie von Black & Decker unter der folgenden Adresse. Diese befindet sich auch auf der Rückseite dieser Anleitung.

Der Unterzeichnete ist verantwortlich für die Zusammenstellung des technischen Dossiers und gibt diese Erklärung im Namen von Black & Decker ab.

Patrick Diepenbach

Patrick Diepenbach
General Manager, Benelux
Black and Decker,
Egide Walschaertsstraat 14-18
2800 Mechelen, Belgien
15.12.2021

Garantie

Black & Decker vertraut auf die Qualität der eigenen Geräte und bietet dem Käufer eine außergewöhnliche Garantie von 24 Monaten ab Kaufdatum. Diese Garantie versteht sich unbeschadet der gesetzlichen Gewährleistungsansprüche und schränkt diese keinesfalls ein. Diese Garantie gilt innerhalb der Staatsgebiete der Mitgliedstaaten der Europäischen Union und der Europäischen Freihandelszone.

DEUTSCH

(Übersetzung der ursprünglichen Anweisungen)

Zur Inanspruchnahme dieser Garantie muss sie den allgemeinen Geschäftsbedingungen von Black + Decker entsprechen und dem Verkäufer bzw. der Vertragswerkstatt ist ein Kaufnachweis vorzulegen.

Die Bedingungen für die 2-jährige Garantie von Black&Decker und den Standort Ihrer nächstgelegenen Vertragswerkstatt finden Sie im Internet unter www.2helpU.com, oder indem Sie sich an die lokale Black&Decker-Niederlassung wenden, deren Adresse Sie in dieser Anleitung finden.

Ihr neues BLACK+DECKER-Produkt können Sie auf unserer Website unter www.blackanddecker.de registrieren. Dort erhalten Sie auch Informationen über neue Produkte und Sonderangebote.

FRANÇAIS

(Traduction des instructions initiales)

Utilisation prévue

Votre agrafeuse sans fil BLACK+DECKER™ BCN115 a été conçue pour les loisirs créatifs. Cet appareil est exclusivement destiné à un usage domestique. Il ne peut pas servir pour fixer des câbles électriques.

Consignes de sécurité

Avertissements de sécurité générale propres aux outils électriques



Avertissement ! Veuillez à lire tous les avertissements sur la sécurité, toutes les instructions, toutes les illustrations et toutes les spécifications fournies avec cet outil électrique. Le non-respect des avertissements et des instructions listés ci-dessous peut occasionner des décharges électriques, des incendies et/ou de graves blessures.

Conservez tous les avertissements et toutes les instructions afin de pouvoir vous y référer dans le futur. Le terme "outil électrique" mentionné dans tous les avertissements listés ci-dessous fait référence à vos outils électriques branchés sur secteur (avec fil) ou fonctionnant sur pile ou batterie (sans fil).

1. Sécurité de la zone de travail

- Maintenez la zone de travail propre et bien éclairée.** Les zones sombres ou encombrées sont propices aux accidents.
- N'utilisez pas d'outils électriques dans un environnement présentant des risques d'explosion ou en présence de liquides, gaz ou poussières inflammables.** Les outils électriques créent des étincelles qui peuvent enflammer les poussières et les fumées.
- Maintenez les enfants et les autres personnes à l'écart quand vous utilisez un outil électrique.**

(Traduction des instructions initiales)

FRANÇAIS

Toute distraction peut vous faire perdre le contrôle de l'outil.

2. Sécurité électrique

- Les prises des outils électriques doivent correspondre à la prise de courant murale. Ne modifiez jamais la prise d'aucune sorte.** **N'utilisez aucun adaptateur avec des outils électriques reliés à la terre.** L'utilisation de prises d'origine et de prises murales appropriées permet de réduire le risque de décharge électrique.
- Évitez tout contact physique avec des surfaces reliées à la terre comme des tuyaux, des radiateurs, des fours et des réfrigérateurs par exemple.** Il y a sinon un risque accru de décharge électrique si votre corps est lui-même relié à la terre.
- N'exposez pas les outils électriques à la pluie, ni à l'humidité.** Le risque de décharge électrique augmente si de l'eau pénètre dans un outil électrique.
- Ne tirez pas sur le cordon d'alimentation. N'utilisez jamais le cordon pour transporter, tirer ou débrancher l'outil électrique.** Maintenez le cordon à l'écart de la chaleur, des substances grasses, des bords tranchants ou des pièces mobiles. Les cordons endommagés ou emmêlés augmentent les risques de décharges électriques.
- Si vous utilisez un outil électrique à l'extérieur, utilisez une rallonge homologuée pour les travaux en extérieur.** L'utilisation d'une rallonge électrique homologuée pour les travaux en extérieur réduit le risque de décharge électrique.
- Si l'utilisation d'un outil électrique dans un endroit humide est inévitable, utilisez une alimentation électrique protégée par un disjoncteur différentiel à courant résiduel (DDR).** L'utilisation d'un DDR réduit le risque de décharge électrique.

3. Sécurité des personnes

- Restez vigilant, surveillez ce que vous faites et faites preuve de bon sens lorsque vous utilisez un outil électrique.** **N'utilisez pas d'outils électriques si vous êtes fatigué ou sous l'influence de drogue, d'alcool ou de médicaments.** Tout moment d'inattention pendant l'utilisation d'un outil électrique peut engendrer de graves blessures.
- Portez des équipements de protection individuelle. Portez toujours une protection oculaire.** Les équipements de protection comme les masques à poussière, les chaussures de sécurité antidérapantes, les casques ou les protections auditives réduisent le risque de blessures s'ils sont utilisés à bon escient.

- c. Empêchez tout démarrage intempestif. Assurez-vous que l'interrupteur est en position Arrêt avant de raccorder l'outil à l'alimentation électrique et/ou au bloc-batterie ou avant de ramasser ou de transporter l'outil.** Le fait de transporter les outils électriques le doit sur l'interrupteur ou d'alimenter les outils électriques dont l'interrupteur est déjà en position de marche augmente le risque d'accidents.
- d. Retirez toutes les clés ou pinces de réglage avant de mettre l'outil en marche.** Une clé ou une pince restée fixée sur une pièce rotative de l'outil électrique peut engendrer des blessures.
- e. Ne vous penchez pas. Gardez les pieds bien ancrés au sol et conservez votre équilibre en permanence.** Cela permet de mieux maîtriser l'outil électrique en cas de situations imprévues.
- f. Portez des vêtements appropriés. Ne portez aucuns vêtements amples, ni bijoux. Gardez vos cheveux et vos vêtements à l'écart des pièces mobiles.** Les vêtements amples, les bijoux ou les cheveux longs peuvent être happés par les pièces mobiles.
- g. Si vous disposez de dispositifs pour le raccordement d'un extracteur de poussière ou d'installations pour la récupération, assurez-vous qu'ils sont correctement raccordés et utilisés.** L'utilisation de dispositifs récupérateurs de poussières réduit les risques liés aux poussières.
- h. Ne pensez pas être familiarisé avec l'outil après l'avoir utilisé à de nombreuses reprises, au point de ne plus rester vigilant et d'en oublier les consignes de sécurité.** Toute action imprudente peut engendrer de graves blessures en une fraction de seconde.
- 4. Utiliser et entretenir un outil électrique**
- a. Respectez la capacité de l'outil. Utilisez l'outil approprié, adapté pour le travail à réaliser.**
Un outil adapté fonctionne mieux, de façon plus sûre et à la cadence pour laquelle il a été conçu.
- b. N'utilisez pas l'outil électrique si son interrupteur ne permet pas de l'allumer ou de l'éteindre.** Tout outil électrique qui ne peut plus être commandé par son interrupteur est dangereux et il doit être réparé.
- c. Débranchez la prise de l'alimentation électrique et/ou retirez le bloc-batterie de l'outil s'il est amovible, avant d'effectuer tout réglage, de changer un accessoire ou de ranger l'outil électrique.** Ces mesures de sécurité préventives réduisent le risque de démarrage accidentel de l'outil électrique.
- d. Rangez les outils électriques non utilisés hors de portée des enfants et ne laissez aucune personne ne connaissant pas ces outils ou leurs instructions d'utilisation les faire fonctionner.**
- Les outils électriques peuvent être dangereux entre des mains inexpérimentées.
- e. Entretenez vos outils électriques et leurs accessoires. Vérifiez que les pièces mobiles sont alignées correctement et qu'elles ne sont pas coincées. Vérifiez qu'aucune pièce n'est cassée et contrôlez l'absence de toute autre condition qui pourrait nuire au bon fonctionnement de l'outil. En cas de dommage, faites réparer l'outil électrique avant de le réutiliser.**
De nombreux accidents sont provoqués par des outils électriques mal entretenus.
- f. Maintenez les organes de coupe affûtés et propres.**
Des organes de coupe bien entretenus et dont le tranchant est affûté sont moins susceptibles de rester coincés et ils sont plus faciles à contrôler.
- g. Utilisez l'outil électrique, les accessoires et les embouts d'outils conformément à ces instructions, en tenant compte des conditions de travail et de la tâche à effectuer.**
L'utilisation d'un outil électrique à d'autres fins que celles pour lesquelles il a été prévu peut entraîner des situations dangereuses.
- h. Veillez à ce que les poignées et les surfaces de préhension restent sèches et propres, sans trace d'huile ou de graisse.** Des poignées et des surfaces de préhension glissantes ne permettent pas de manipuler et de maîtriser l'outil correctement en cas de situations inattendues.
- 5. Utiliser et entretenir un outil fonctionnant sur batterie**
- a. N'effectuez la recharge qu'à l'aide du chargeur spécifié par le fabricant.** Un chargeur adapté pour un type de bloc-batterie peut engendrer un risque d'incendie s'il est utilisé avec un bloc-batterie différent.
- b. N'utilisez les outils électriques qu'avec les blocs-batteries qui leur sont dédiés.** L'utilisation d'autres blocs-batteries peut créer un risque de blessures et d'incendie.
- c. Lorsque le bloc-batterie n'est pas utilisé, éloignez-le des objets en métal comme les trombones, les pièces de monnaies, les clés, les clous, les vis ou d'autres petits objets métalliques qui pourraient créer un contact entre les deux bornes.** La mise en court-circuit des bornes d'une batterie peut provoquer des brûlures ou un incendie.
- d. Dans des conditions extrêmes, du liquide peut être éjecté de la batterie. Évitez tout contact avec ce liquide. En cas de contact accidentel, rincez à l'eau. En cas de contact avec les yeux, consultez en plus un médecin.** Le liquide sortant de la batterie peut provoquer des irritations ou des brûlures.
- e. N'utilisez jamais un bloc-batterie ou un outil qui est endommagé ou qui a été modifié.**

Un bloc-batterie endommagé ou modifié peut avoir un comportement imprévisible qui peut occasionner un incendie, une explosion ou à un risque de blessure.

- f. **N'exposez pas le bloc-batterie ou l'outil au feu ou à des températures excessives.** L'exposition au feu ou à des températures supérieures à 130 °C peut provoquer une explosion. REMARQUE : La température "130 °C" peut être remplacée par la température "265 °F".
- g. **Respectez toutes les instructions liées à la charge et ne rechargez pas le bloc-batterie ou l'outil en dehors de la plage de températures spécifiée dans les instructions.** Une charge mal effectuée ou à des températures hors de la plage spécifiée peut endommager le bloc-batterie et augmenter le risque d'incendie.
6. **Révision/Réparation**
- a. **Ne faites réviser/réparer votre outil électrique que par un réparateur qualifié qui n'utilise que des pièces de rechange d'origine.** Cela permet de garantir la sûreté de l'outil électrique.
- b. **Ne réparez jamais des blocs-batteries endommagés.** Les réparations sur les blocs-batteries ne doivent être effectuées que par le fabricant ou l'un de ses prestataires de services agréés.

Consignes de sécurité supplémentaires propres aux agrafeuses sans fil

- ◆ **Veillez à toujours porter des lunettes de protection.**
- ◆ **Veillez à toujours porter des protections auditives.**
- ◆ **N'utilisez que des agrafes du type spécifié dans la notice.**
- ◆ **N'utilisez aucun montant servant à installer l'outil sur un support.**
- ◆ **Ne démontez et ne bloquez aucune des pièces de l'outil, comme le déclencheur par contact par exemple.**
- ◆ **Avant chaque utilisation, contrôlez que le mécanisme de sécurité et de déclenchement fonctionne correctement et que tous les écrous et toutes les vis sont correctement serrés.**
- ◆ **Ne vous servez pas de l'outil comme d'un marteau.**
- ◆ **N'utilisez pas l'outil sur une échelle.**
- ◆ **Ne pointez et ne dirigez jamais l'outil vers vous-même ou d'autres personnes.**
- ◆ **Pour travailler, tenez l'outil de sorte de ne pas vous blesser la tête ou le corps en cas de recul dû à une coupure de l'alimentation électrique ou de zones plus dures dans l'ouvrage.**
- ◆ **N'actionnez jamais l'outil dans le vide.**
- ◆ **Dans la zone de travail, transportez l'outil par une poignée et n'actionnez jamais la gâchette.**
- ◆ **Évaluez les conditions de la zone de travail.**

Les fixations peuvent pénétrer dans les pièces fines ou glissez dans les coins et sur les bords de l'ouvrage et créer un risque pour les personnes.

- ◆ **Ne posez pas de fixations trop près des bords de l'ouvrage.**
- ◆ **Ne posez pas de fixations par-dessus d'autres fixations.**
- ◆ **Partez toujours du principe que l'outil contient des fixations.**
Une manipulation négligente de la cloueuse peut entraîner la projection inattendue des fixations et donc des blessures.
- ◆ **Ne pointez pas l'outil vers vous ou toute autre personne à proximité.** Des blessures sont sinon possibles par la projection de fixations en cas de déclenchement inattendu.
- ◆ **N'actionnez pas l'outil avant qu'il ne soit fermement appuyé contre l'ouvrage.** Si l'outil n'est pas en contact avec l'ouvrage, la fixations peut dévier de l'endroit ciblé.
- ◆ **Débranchez l'outil de la source d'alimentation électrique si une fixation reste coincée dans l'outil.** Lors du retrait d'une fixation coincée, il est sinon possible que la cloueuse soit actionnée involontairement si elle est branchée.
- ◆ **N'utilisez pas cet outil pour fixer des câbles électriques.** Il n'est pas conçu pour l'installation de câbles électriques et peut endommager leur isolant ce qui pourrait entraîner une décharge électrique ou un incendie.

Étiquettes apposées sur l'appareil

Les symboles suivants ainsi que le code date sont apposés sur l'outil :



Avertissement ! Afin de réduire le risque de blessures, l'utilisateur doit lire la notice d'utilisation.

Vibrations

Le niveau sonore et/ou de vibrations émis indiqué dans ce feuillet d'informations a été mesuré conformément à une méthode de test normalisée établie dans par la norme EN60745 et il peut être utilisé pour comparer un outil à un autre. Il peut également être utilisé pour effectuer une évaluation préliminaire de l'exposition.

AVERTISSEMENT : Le niveau sonore et/ou de vibrations émis déclaré correspond aux applications principales de l'outil. Cependant, si l'outil est utilisé pour des applications différentes, avec des accessoires différents ou qu'il est mal entretenu, le niveau sonore et/ou de vibrations émis peut varier. Ces éléments peuvent augmenter considérablement le niveau d'exposition sur la durée totale de travail.

Toute estimation du degré d'exposition aux vibrations et/ou au bruit doit également prendre en compte les heures où l'outil est éteint ou lorsqu'il est en marche sans effectuer aucune tâche.

Consignes de sécurité importantes propres à tous les outils dont la batterie est intégrée

Avertissement ! Veuillez à lire tous les avertissement et toutes les consignes de sécurité ainsi que les marquages de précaution de la batterie, du chargeur et du produit lui-même. Le non-respect des avertissements et des consignes peut entraîner des décharges électriques, des incendies et/ou de graves blessures.

- ◆ Ne forcez jamais pour insérer la prise du chargeur dans l'outil.
- ◆ NE modifiez JAMAIS la prise d'un chargeur non compatible de quelque façon que ce soit pour la faire entrer dans l'outil car la batterie pourrait sinon éclater et provoquer de graves blessures.
- ◆ NE rechargez et n'utilisez PAS la batterie dans un environnement présentant des risques d'explosion ou en présence de liquides, de gaz ou de poussières inflammables.
L'insertion ou le retrait de prise du chargeur dans l'outil peut enflammer les poussières ou les fumées.
- ◆ Ne rechargez la batterie qu'avec le câble de charge fourni et sur une alimentation électrique adaptée de classe 2.
- ◆ N'éclaboussez PAS l'équipement et NE l'immergez PAS dans l'eau.
- ◆ NE laissez PAS d'eau ou tout autre liquide pénétrer dans l'outil.
- ◆ NE rangez et N'utilisez PAS l'équipement dans des endroits où la température peut atteindre ou dépasser 104 °F (40 °C) (comme des remises extérieures ou des bâtiments métalliques en été par exemple). Pour une meilleure durée de vie, rangez vos outils dans un endroit frais et sec.
- ◆ Ne rangez pas l'outil avec l'interrupteur bloqué en position Marche. Ne bloquez jamais l'interrupteur en position Marche.
- ◆ N'incinerez PAS l'outil même s'il est sévèrement endommagé ou complètement hors d'usage. La batterie peut être exposée dans les flammes. La combustion des batteries lithium-ion génère des fumées et des substances toxiques.
- ◆ Si le contenu de la batterie entre en contact avec la peau, lavez immédiatement la zone avec du savon doux et de l'eau. Si le liquide de la batterie entre en contact avec les yeux, rincez l'œil ouvert pendant 15 minutes ou jusqu'à ce que l'irritation cesse.

Si des soins médicaux sont nécessaires, sachez que l'électrolyte de la batterie est composé d'un mélange de carbonates organiques liquides et de sels de lithium.

- ◆ Le contenu des cellules d'une batterie ouverte peut provoquer une irritation des voies respiratoires. Aérez correctement. Si les symptômes persistent, consultez un médecin.
- ◆ Le liquide de la batterie peut s'enflammer s'il est exposé à des étincelles ou à une flamme.
- ◆ Ne tentez d'ouvrir l'outil sous aucun prétexte.
Si le boîtier de l'outil est fissuré ou endommagé, ne rechargez plus l'outil. N'écrasez pas l'outil, ne le faites pas tomber et ne l'endommagez pas.
N'utilisez pas l'outil ou le chargeur s'ils ont reçu un coup violent, s'ils ont chuté, s'ils ont été écrasés ou endommagés de quelque façon que ce soit (percés par un clou, frappés avec un marteau ou piétinés par exemple). Les outils endommagés doivent être rapportés dans un centre d'assistance pour y être recyclés.

Recommandations pour le rangement

Le lieu idéal de rangement est un lieu frais et sec, à l'abri des rayons directs du soleil et de tout excès de chaleur ou de froid.

Rangez l'outil complètement rechargé et débranché du chargeur.

Transport

Remarque : Les outils avec batterie li-ion intégrée ne doivent pas voyager en soute dans les avions et ils doivent être correctement protégés contre les courts-circuits s'ils voyagent en cabine.

Consignes de sécurité importantes propres à la charge de toutes les batteries intégrées

Avertissement ! Veuillez à lire tous les avertissement et toutes les consignes de sécurité ainsi que les marquages de précaution de la batterie, du câble de charge et du produit lui-même. Le non-respect des avertissements et des consignes peut entraîner des décharges électriques, des incendies et/ou de graves blessures.

- ◆ Veuillez à ne l'utiliser qu'avec l'un des équipements informatiques listés/certifiés (ordinateurs).
- ◆ N'exposez PAS, le câble de charge à l'eau, à la pluie ou à la neige.
- ◆ Pour débrancher le câble de charge, tirez sur les prises et non sur le cordon. Cela permet de réduire le risque d'endommager les prises et le cordon.
- ◆ Veuillez à placer le cordon de sorte qu'il ne puisse faire trébucher personne qu'on ne puisse pas marcher dessus et qu'il ne puisse pas être endommagé.
- ◆ Si vous devez recharger l'outil à l'extérieur, veuillez à ce que ce soit toujours dans un endroit sec.

- ◆ N'utilisez PAS le câble de charge si le cordon ou les prises sont endommagés. Faites-le immédiatement remplacer.
- ◆ Les corps étrangers de nature conductrice comme, notamment et entre autres, les poussières de meulage, les copeaux métalliques, la laine d'acier, les feuilles d'aluminium ou toute autre accumulation de particules métalliques doivent être tenus à distance des prises et des ports Charge et micro Charge.
- ◆ Débranchez toujours le câble de charge de l'alimentation électrique quand il n'est pas branché dans l'outil.
- ◆ Vous pouvez également recharger une batterie déjà utilisée si vous le souhaitez, sans que cela n'affecte l'outil.

Montage et réglages

Avertissement ! Afin de réduire tout risque de blessures graves, éteignez l'appareil et restez à l'écart de la gâchette avant de procéder à tout réglage ou avant de retirer ou d'installer toute pièce ou accessoire. Tout allumage accidentel peut provoquer des blessures.

Préparation de l'outil

Avertissement ! Ne pointez pas l'outil vers vous-même ou les autres. De graves blessures pourraient en résulter.

Avertissement ! Afin de réduire le risque de blessures graves, veillez à ce que l'interrupteur de mise en marche soit sur la position Arrêt, gardez vos mains loin de la gâchette et retirez les agrafes et les pointes du magasin avant de procéder à des réglages.

Avertissement ! NE pulvérisez et n'appliquez JAMAIS de lubrifiants ou de solvants de nettoyage à l'intérieur de l'outil. Cela pourrait gravement nuire à la durée de vie et aux performances de l'outil.

- ◆ Lisez la section Consignes de sécurité de cette notice.
- ◆ Portez des protections oculaires et auditives.
- ◆ Assurez-vous que le magasin 5 est vide.
- ◆ Positionnez le déclencheur par contact 4 sur la surface de l'ouvrage pour qu'il fonctionne de façon fluide et correcte. N'utilisez pas l'outil si cet élément ne fonctionne pas correctement. N'utilisez JAMAIS un outil dont le déclencheur par contact est maintenu en position de déclenchement.
- ◆ Ne pointez pas l'outil vers vous-même ou les autres.

Remplir l'outil (Fig. B)

Avertissement ! Ne pointez pas l'outil vers vous-même ou les autres. De graves blessures pourraient en résulter.

Avertissement ! Veillez toujours à ce que l'interrupteur de mise en marche soit sur la position Arrêt avant de remplir ou de vider l'outil.

Avertissement ! Ne remplissez jamais l'outil d'agrafes/de pointes si le déclencheur par contact ou la gâchette sont activés. Risque de blessures.

Compatibilité universelle avec les agrafes haut rendement 6mm-14mm, largeur de couronne 10,6mm et les pointes 15mm.

- ◆ Pincez le clip de libération du magasin (6) et sortez le magasin coulissant (5).
- ◆ Remplissez le magasin de fixations. Veillez à ce que les agrafes soient placées de sorte que la couronne repose contre la face intérieure du magasin.

Remarque : La tête des clous doit reposer contre la surface intérieure gauche du magasin. S'ils sont de l'autre côté, le magasin ne peut pas être refermé.

Caractéristiques

Cet appareil dispose de tout ou partie des caractéristiques suivantes :

1. Gâchette
2. Interrupteur d'alimentation
3. Témoin de charge/Voyant Prêt à l'emploi
4. Déclencheur par contact
5. Magasin
6. Clip de libération du magasin
7. Regard à agrafe
8. Prise de charge
9. Câble de charge

Assemblage

Avertissement ! Afin de réduire tout risque de blessures graves, éteignez l'appareil et restez à l'écart du bouton Marche/Arrêt avant de procéder à tout réglage ou avant de retirer ou d'installer toute pièce ou accessoire. Tout allumage accidentel peut provoquer des blessures.

Procédure de charge (Fig. A)

Avertissement ! N'utilisez pas l'outil quand il est branché au chargeur.

- ◆ Insérez la prise de charge mâle (9) dans la prise de charge femelle (8).
- ◆ Branchez la prise de charge mâle dans n'importe quelle prise de charge femelle (sur un ordinateur par exemple).
- ◆ Le témoin de charge (3) clignote rouge pendant la charge.
- ◆ Le témoin de charge devient fixe et vert une fois la charge terminée.
- ◆ Vous pouvez alors laisser la batterie en charge ou débrancher le chargeur.

Remarques importantes liées à la charge

- ◆ Le chargeur et l'outil peuvent devenir chauds au toucher pendant la charge. C'est normal et cela n'indique pas un problème. Afin de faciliter le refroidissement de l'outil après son utilisation, évitez de placer le chargeur dans un environnement trop chaud comme une remise métallique ou une remorque non isolée.
- ◆ Si l'outil ne se recharge pas correctement, rappez-le avec le chargeur dans votre centre d'assistance local.

- ◆ Refermez le magasin coulissant jusqu'à ce que l'attache s'enclenche solidement.

Vider l'outil

Avertissement ! Veillez à ce que l'interrupteur Marche/Arrêt soit bien sur la position Arrêt (0).

- ◆ Pincez le clip de libération du magasin (6) et sortez le magasin coulissant (5).
- ◆ Inclinez l'outil sur le côté, jusqu'à ce que les agrafes glissent librement hors du magasin.
- ◆ Contrôlez qu'il ne reste aucune agrafe dans le magasin.
- ◆ Refermez complètement le magasin coulissant.

Retirer une agrafe coincée

Si une agrafe se coince dans le magasin, dirigez l'outil loin de vous et respectez ces instructions pour la sortir :

Avertissement ! Veillez toujours à ce que l'interrupteur de mise en marche soit sur la position Arrêt avant de sortir une agrafe coincée

- ◆ Pincez le clip de libération du magasin (6) et retirez toutes les agrafes.
- ◆ Contrôlez visuellement l'intérieur du magasin (5) à la recherche d'agrafes coincées.
- ◆ Retirez l'agrafe pliée, à l'aide d'une pince si nécessaire.
- ◆ Réinsérez les agrafes dans le magasin (consultez Remplir l'outil).

Utilisation

Avertissement ! Afin de réduire tout risque de blessures graves, éteignez l'appareil et restez à l'écart de la gâchette avant de procéder à tout réglage ou avant de retirer ou d'installer toute pièce ou accessoire. Tout allumage accidentel peut provoquer des blessures.

Fonctionnement de la gâchette (Fig. C)

Avertissement ! Portez toujours des protections oculaires et auditives adaptées pour utiliser l'outil.

Avertissement ! Gardez vos doigts ÉLOIGNÉS de la gâchette lorsque vous n'agrafez pas, afin d'éviter toute éjection accidentelle. Ne transportez JAMAIS l'outil un doigt sur la gâchette.

- ◆ Poussez l'interrupteur (2) de la position "O" à la position "I" pour allumer l'agrafeuse.
- ◆ Enfoncez complètement le déclencheur par contact (4) contre la surface de l'ouvrage. Le voyant vert (3) doit s'allumer.
- ◆ Actionnez la gâchette (1), l'agrafe est entraînée dans la surface de l'ouvrage.

Remarque : Maintenez la pression sur la surface de l'ouvrage jusqu'à ce que l'agrafe soit complètement entrée dans la surface de l'ouvrage.

- ◆ Relâchez la gâchette.
- ◆ Soulevez le déclencheur par contact de la surface.
- ◆ Répétez les étapes 1 à 4 pour l'agrafe suivante.

Remarque : Le déclencheur par contact doit être enfoncé avant d'actionner complètement la gâchette pour chaque fixation puis le déclencheur par contact et la gâchette doivent être tous les deux relâchés après l'enfoncement de chaque fixation.

Position correcte des mains (Fig. D)

Avertissement ! Afin de réduire tout risque de graves blessures, respectez **TOUJOURS** la position des mains recommandée et illustrée.

Avertissement ! Afin de réduire tout risque de blessures graves, maintenez **TOUJOURS** l'outil fermement pour anticiper toute réaction soudaine de sa part.

La position correcte des mains nécessite d'avoir une main sur la poignée principale.

Maintenance

Votre appareil BLACK+DECKER a été conçu pour fonctionner longtemps avec un minimum d'entretien. Le fonctionnement continu et satisfaisant dépend d'un entretien adéquat et d'un nettoyage régulier.

- ◆ Nettoyez régulièrement l'appareil à l'aide d'un chiffon humide. N'utilisez pas de détergents abrasifs ou à base de solvants. Ne laissez jamais aucun liquide pénétrer à l'intérieur de l'appareil et ne plongez aucune de ses pièces dans aucun liquide.

Accessoires

Avertissement ! Les accessoires autres que ceux proposés par BLACK+DECKER n'ayant pas été testés avec ce produit, leur utilisation avec cet outil peut être dangereuse. Afin de réduire tout risque de blessures, il n'y a que les accessoires BLACK+DECKER recommandés qui doivent être utilisés avec cet outil.

Des accessoires recommandés pour votre outil sont disponibles en option chez votre revendeur ou votre centre d'assistance local agréé.

- ◆ TRA704T – Agrafe métallique plate 6mm 10,6x 1,26mm
- ◆ TRA705T – Agrafe métallique plate 8 mm 10,6x 1,26mm
- ◆ TRA706T – Agrafe métallique plate 10mm 10,6x 1,26mm
- ◆ TRA708T – Agrafe métallique plate 12mm 10,6x 1,26mm
- ◆ TRA709T – Agrafe métallique plate 14mm 10,6x 1,26mm
- ◆ SWK-BN0625T – Pointes type J 15mm/5/8"/18ga

Protection de l'environnement



Tri sélectif. Les produits et piles/batteries marqués de ce symbole ne doivent pas être jetés avec les déchets ménagers.

Les produits et les piles/batteries contiennent des matières qui peuvent être récupérées et recyclées afin de réduire la demande en matières premières.

Veillez à recycler les produits électriques et les piles/batteries conformément aux prescriptions locales en vigueur.

Pour plus d'informations, consultez le site www.2helpU.com

Caractéristiques techniques

		BCN115
Tension	V _{cc}	3,6
Taille des agrafes	mm	6 - 14
Taille des pointes	mm	15
Poids	kg	0,9

Niveau de pression sonore selon la norme EN 660745 :

Niveau de pression sonore émise : (L_{PA}) : 77 dB(A) ; K=3 dB(A) ;

Niveau de puissance sonore mesurée : (L_{WA}) : 88 dB(A) ; K=3 dB(A) ;

Valeurs totales des vibrations (somme vectorielle triaxiale) selon la norme EN 60745 :

Niveau des vibrations : (ah) : 5,7 m/s² ; K=1,5 m/s²

Déclaration de conformité CE

DIRECTIVES MACHINES



Agrafeuse pour loisir créatif BCN115

Black & Decker déclare que les produits décrits dans les "Caractéristiques techniques" sont en conformité avec :

2006/42/CE, EN60745-1:2009+A11:2010 et EN60745-2-16:2010, Ces produits sont également conformes aux Directives 2014/30/UE et 2011/65/UE.

Pour obtenir plus de précisions, contactez Black & Decker à l'adresse qui suit ou consultez la dernière page de la présente notice.

Le soussigné est responsable de la compilation du dossier technique et il fait cette déclaration au nom de
Black & Decker.

Patrick Diepenbach

Patrick Diepenbach
General Manager, Benelux
Black and Decker,
Egide Walschaertsstraat 14-18
2800 Mechelen, Belgium
15/12/2021

Garantie

Black & Decker est sûr de la qualité de ses produits et offre une garantie de 24 mois à ses clients, à partir de la date d'achat. Cette garantie s'ajoute à vos droits légaux auxquels elle ne porte aucunement préjudice.

Cette garantie est valable au sein des territoires des états membres de l'Union européenne et au sein de la zone européenne de libre-échange.

Pour prétendre à la garantie, la réclamation doit être conforme aux conditions générales de Black & Decker et vous devez fournir une preuve d'achat au vendeur ou au réparateur agréé. Les conditions générales de la garantie de 2 ans Black&Decker ainsi que l'adresse du réparateur agréé le plus proche sont disponibles sur le site Internet www.2helpU.com ou en contactant votre agence Black & Decker locale à l'adresse indiquée dans la présente notice.

Veuillez consulter notre site Internet www.blackanddecker.co.uk pour enregistrer votre nouveau produit Black & Decker et pour être tenu informé des nouveaux produits et offres spéciales.

(Traduzione del testo originale)

ITALIANO

Usò previsto

La graffettatrice a batteria BLACK+DECKER™ BCN115 è stata progettata per lavori manuali. Questo prodotto è stato progettato solo per uso domestico privato. Non adatto per il fissaggio di cavi elettrici.

Istruzioni di sicurezza

Avvertenze di sicurezza generali per gli elettrodomestici



Avvertenza! Leggere attentamente tutte le avvertenze, istruzioni, illustrazioni e specifiche fornite con l'elettrodomestico. La mancata osservanza delle avvertenze e delle istruzioni seguenti può dar luogo a scosse elettriche, incendio e/o lesioni personali gravi.

Conservare tutte le avvertenze e le istruzioni per riferimenti futuri. Il termine "elettrodomestico" utilizzato in tutte le avvertenze elencate di seguito fa riferimento sia agli utensili alimentati tramite una rete elettrica (con cavo) che agli utensili elettrici a batteria (senza cavo).

1. Sicurezza dell'area di lavoro

- Mantenere pulita e bene illuminata l'area di lavoro.** Gli ambienti disordinati o scarsamente illuminati favoriscono gli incidenti.
- Evitare di usare gli elettrodomestici in ambienti esposti a rischio di esplosione, ad esempio in presenza di liquidi, gas o polveri infiammabili.** Gli elettrodomestici generano scintille che potrebbero incendiare polveri o fumi.
- Durante l'uso di un elettrodomestico, tenere lontani i bambini e le altre persone presenti.** Eventuali distrazioni possono provocare la perdita di controllo.

2. Sicurezza elettrica

- a. **Le spine dell'elettrotensile devono essere adatte alla presa di corrente. Non modificare la spina in alcun modo.**

Non utilizzare spine con adattatore con un elettrotensile dotato di messa a terra. Per ridurre il rischio di scosse elettriche evitare di modificare le spine e utilizzare sempre le prese di corrente appropriate.

- b. **Evitare il contatto fisico con superfici collegate a terra, come tubi, radiatori, forni e frigoriferi.** Se il corpo dell'utilizzatore è collegato a terra, il rischio di scosse elettriche aumenta.
- c. **Non esporre gli elettrotensili alla pioggia o all'umidità.** Se dovesse penetrare dell'acqua all'interno dell'elettrotensile, il rischio di scossa elettrica aumenta.
- d. **Non utilizzare il cavo di alimentazione in modo improprio. Non spostare, tirare o scollegare mai l'elettrotensile dalla presa di corrente tirandolo dal cavo di alimentazione. Tenere il cavo di alimentazione lontano da fonti di calore, olio, bordi taglienti o parti in movimento.** Se il cavo di alimentazione è danneggiato o impigliato, il rischio di scosse elettriche aumenta.
- e. **Se l'elettrotensile viene utilizzato all'aperto, usare esclusivamente prolunghie omologate per l'impiego all'esterno.** L'uso di un cavo di alimentazione idoneo per esterni riduce il rischio di scossa elettrica.
- f. **Se non è possibile evitare di utilizzare un elettrotensile in una zona umida, collegarsi a una rete elettrica protetta da un interruttore differenziale salvavita (RCD).** L'uso di un RCD riduce il rischio di scosse elettriche.

3. Sicurezza personale

- a. **È importante concentrarsi su ciò che si sta facendo e maneggiare con giudizio l'elettrotensile. Non utilizzare l'elettrotensile quando si è stanchi o sotto l'effetto di sostanze stupefacenti, alcool o medicinali.** Un solo attimo di distrazione durante l'uso dell'elettrotensile potrebbe provocare gravi lesioni alle persone.
- b. **Indossare dispositivi di protezione individuale. Indossare sempre occhiali di sicurezza.** L'uso di dispositivi di protezione, quali mascherine antipolvere, scarpe antinfortunistiche antiscivolo, elmetti o protezioni auricolari in condizioni opportune consente di ridurre le lesioni personali.
- c. **Prevenire l'avvio involontario. Accertarsi che l'interruttore sia nella posizione di spegnimento, prima di collegare l'elettrotensile alla rete elettrica e/o alla batteria, di prenderlo in mano o di trasportarlo.**

Per non esporsi al rischio di incidenti, non trasportare l'elettrotensile tenendo le dita sull'interruttore e non collegarlo a una fonte di alimentazione elettrica con l'interruttore in posizione di accensione.

- d. **Prima di accendere l'elettrotensile, rimuovere eventuali chiavi o utensili di regolazione.** Un utensile di regolazione o una chiave fissati a una parte rotante dell'elettrotensile possono provocare lesioni personali.
- e. **Non sbilanciarsi. Mantenere sempre un appoggio e un equilibrio adeguati.** In tal modo è possibile mantenere un migliore controllo dell'elettrotensile nelle situazioni impreviste.
- f. **Vestirsi in modo adeguato. Non indossare abiti larghi o gioielli. Tenere capelli e indumenti lontano dalle parti mobili.** Abiti larghi, gioielli o capelli lunghi possono impigliarsi nelle parti in movimento.
- g. **Se gli elettrotensili sono provvisti di attacchi per il collegamento di dispositivi di aspirazione o di raccolta della polvere, assicurarsi che questi ultimi siano installati e utilizzati correttamente.** L'impiego di dispositivi di aspirazione delle polveri può ridurre i pericoli legati alle stesse.
- h. **Non lasciare che la familiarità acquisita dall'uso frequente degli elettrotensili induca a cedere alla tentazione di ignorare i principi di utilizzo sicuro degli stessi.** Un'azione imprudente potrebbe provocare lesioni personali gravi in una frazione di secondo.

4. Uso e cura dell'elettrotensile

- a. **Non forzare l'elettrotensile. Utilizzare l'elettrotensile corretto per il lavoro da eseguire.**
L'elettrotensile corretto funziona meglio e in modo più sicuro, se utilizzato alla velocità per cui è stato progettato.
- b. **Non usare l'elettrotensile se l'interruttore di accensione/spengimento non funziona.** Qualsiasi elettrotensile che non possa essere controllato tramite l'interruttore è pericoloso e deve essere riparato.
- c. **Scollegare la spina dalla presa di corrente e/o rimuovere il pacco batteria, se estraibile, dall'elettrotensile prima di effettuare qualsiasi tipo di regolazione, cambiare gli accessori o riparlo.** Queste misure di sicurezza preventive riducono il rischio di azionare accidentalmente l'elettrotensile.
- d. **Quando non vengono usati, gli elettrotensili devono essere custoditi fuori dalla portata dei bambini. Non consentire l'uso dell'elettrotensile a persone inesperte o che non abbiano letto questo manuale di istruzioni.**
Gli elettrotensili sono pericolosi in mano a persone inesperte.
- e. **Eseguire la manutenzione degli elettrotensili e degli accessori.**

Verificare che le parti mobili siano correttamente allineate e non inceppate, che non vi siano componenti rotti e che non sussistano altre condizioni che possano compromettere il funzionamento dell'elettrotensile. Se l'elettrotensile è danneggiato, farlo riparare prima dell'uso. Molti incidenti sono provocati da elettrotensili non sottoposti a una corretta manutenzione.

- f. **Mantenere affilati e puliti gli utensili da taglio.** La manutenzione corretta degli utensili da taglio con bordi affilati riduce le probabilità di inceppamento e ne facilita il controllo.
 - g. **Utilizzare l'elettrotensile, gli accessori, le punte, ecc. in conformità a queste istruzioni, tenendo conto delle condizioni operative e del lavoro da eseguire.** L'utilizzo dell'elettrotensile per impieghi diversi da quelli previsti può dare luogo a situazioni di pericolo.
 - h. **Mantenere le impugnature e le superfici di presa asciutte, pulite e senza tracce di olio o grasso.** Impugnature e superfici di presa scivolose non consentono di maneggiare e controllare in modo sicuro l'elettrotensile nel caso di imprevisti.
5. **Uso e cura della batteria dell'elettrotensile**
 - a. **Ricaricare la batteria dell'elettrotensile esclusivamente con il caricabatterie specificato dal produttore.** Un caricabatterie adatto a un determinato tipo di pacco batteria può provocare il rischio di incendio se utilizzato con un pacco batteria diverso.
 - b. **Usare gli elettrotensili esclusivamente con i pacchi batteria specificamente progettati per gli stessi.** L'impiego di pacchi batteria di tipo diverso potrebbe comportare il rischio di lesioni alle persone e incendio.
 - c. **Quando il pacco batteria non viene usato tenerlo lontano da altri oggetti metallici tipo graffette, monete, chiavi, chiodi, viti o altri oggetti metallici di piccole dimensioni, che potrebbero cortocircuitare un morsetto con l'altro.** Se i morsetti della batteria vengono cortocircuitati potrebbero provocare ustioni o un incendio.
 - d. **In condizioni di uso improprio, dalla batteria potrebbe fuoriuscire del liquido. Evitare di toccarlo. In caso di contatto accidentale, sciacquare la pelle con abbondante acqua. Se il liquido dovesse entrare a contatto con gli occhi, rivolgersi anche a un medico. Il liquido che fuoriesce dalla batteria può causare irritazioni o ustioni.**
 - e. **Non utilizzare un pacco batteria o un utensile danneggiato o modificato.** Le batterie danneggiate o modificate possono presentare un comportamento imprevedibile con conseguente incendio, esplosione o rischio di lesioni.
 - f. **Non esporre un pacco batteria o utensile al fuoco o a una temperatura eccessiva.**

L'esposizione al fuoco o a una temperatura al di sopra di 130 °C potrebbe causare un'esplosione. NOTA: 130 °C di temperatura corrispondono a una temperatura di 265 °F.

- g. **Seguire tutte le istruzioni di ricarica e non caricare la batteria o l'utensile al di fuori dell'intervallo di temperatura specificato nelle istruzioni.** La ricarica in modo improprio o a temperature al di fuori dell'intervallo specificato può danneggiare la batteria e aumentare il rischio di incendio.
6. **Assistenza**
 - a. **Fare riparare l'elettrotensile esclusivamente da personale qualificato, utilizzando esclusivamente pezzi di ricambio originali.** In questo modo viene garantita la sicurezza dell'elettrotensile.
 - b. **Non riparare i pacchi batteria danneggiati.** Gli interventi di riparazione sui pacchi batteria devono essere eseguiti dal produttore o da fornitori di assistenza autorizzati.

Istruzioni di sicurezza aggiuntive per graffettatrici a batteria

- ◆ **Indossare sempre occhiali di protezione.**
- ◆ **Indossare sempre delle otoprotezioni.**
- ◆ **Utilizzare dispositivi di fissaggio esclusivamente del tipo specificato nel manuale.**
- ◆ **Non utilizzare piedistalli per il montaggio dell'utensile a un supporto.**
- ◆ **Non smontare o bloccare le parti dell'avvitatore del dispositivo di fissaggio, come l'interruttore di contatto.**
- ◆ **Prima di ciascuna operazione, controllare che il meccanismo di sicurezza e attivazione funzioni correttamente e che tutti i dadi e i bulloni siano serrati.**
- ◆ **Non utilizzare l'utensile come martello.**
- ◆ **Non utilizzare l'utensile su una scala a pioli.**
- ◆ **Non puntare mai l'utensile avvitatore del dispositivo di fissaggio verso di sé o altre persone.**
- ◆ **Durante il lavoro, tenere l'utensile in modo tale che non sia possibile provocare lesioni alla testa o al corpo in caso di un eventuale rinculo dovuto a un'interruzione dell'energia o ad aree dure nel pezzo.**
- ◆ **Non azionare mai l'utensile avvitatore del dispositivo di fissaggio in uno spazio libero.**
- ◆ **Nell'area di lavoro, trasportare l'utensile sul posto di lavoro esclusivamente con l'impugnatura e mai con il grilletto azionato.**
- ◆ **Considerare le condizioni nell'area di lavoro. I dispositivi di fissaggio possono penetrare all'interno di pezzi sottili o sfilarsi dagli angoli e dagli spigoli del pezzo, e, pertanto, mettere a rischio l'incolumità delle persone.**

- ◆ **Non inserire i dispositivi di fissaggio vicino al bordo del pezzo da lavorare.**
- ◆ **Non inserire dispositivi di fissaggio sopra altri dispositivi di fissaggio.**
- ◆ **Presumere sempre che la spara punti sia carica.**
Se non si presta attenzione quando si maneggia la chiodatrice è possibile sparare inavvertitamente dei chiodi/punti e provocare lesioni a persone.
- ◆ **Non puntare l'elettrotensile verso sé stessi o altri astanti nelle vicinanze.** Attivando inavvertitamente l'utensile è possibile sparare chiodi/punti e provocare lesioni.
- ◆ **Non attivare l'elettrotensile a meno che non sia appoggiato in modo ben saldo contro il pezzo.** Se l'elettrotensile non è a contatto del pezzo, il punto potrebbe non raggiungere il bersaglio.
- ◆ **Scollegare l'elettrotensile dalla presa di corrente se un punto si inceppa al suo interno.** La chiodatrice può essere attivata inavvertitamente se si rimuove il chiodo/punto inceppato quando è collegata alla presa.
- ◆ **Non usare questa spara punti per fissare cavi elettrici.** Essa non è stata progettata per l'installazione di cavi elettrici e potrebbe danneggiarne l'isolamento causando scosse elettriche o il pericolo di incendio.

Etichette sull'elettrotensile

Sull'elettrotensile, oltre al codice data, compaiono i seguenti pittogrammi:



Avvertenza! Per ridurre il rischio di lesioni personali, leggere attentamente il manuale d'istruzioni.

Vibrazione

Il livello di emissione di vibrazione e/o rumore indicato in questa scheda informativa è stato misurato secondo una procedura standardizzata prevista dalla norma EN60745 e potrebbe essere utilizzato per mettere a confronto elettrotensili diversi. Può essere utilizzato per una valutazione preliminare dell'esposizione.

AVVERTENZA: il livello di emissione di vibrazione dichiarato si riferisce alle applicazioni principali dello strumento. Se tuttavia lo strumento viene utilizzato per applicazioni o con accessori diversi oppure è sottoposto a scarsa manutenzione, il livello di emissione di vibrazione potrebbe differire da tale valore. Ciò potrebbe aumentare sensibilmente il livello di esposizione durante il periodo di utilizzo complessivo.

Una stima del livello di esposizione a vibrazione dovrebbe anche tenere conto di quante volte lo strumento viene spento o di quando rimane acceso, ma senza essere effettivamente usato.

Istruzioni di sicurezza importanti per tutti gli utensili a batteria integrata

Avvertenza! Leggere tutte le avvertenze di sicurezza, le istruzioni e i segnali di avvertimento per la batteria, il caricabatterie e il prodotto. La mancata osservanza delle avvertenze e delle istruzioni può dar luogo a scossa elettrica, incendio e/o lesioni gravi.

- ◆ Non inserire mai con la forza uno dei connettori del cavo di carica nella presa dell'utensile.
- ◆ **NON** modificare in alcun modo il connettore di un caricabatterie non compatibile per inserirlo nella presa dell'utensile, perché la batteria potrebbe rompersi e provocare gravi lesioni personali.
- ◆ **NON** caricare o utilizzare la batteria in ambienti esposti al rischio di esplosione, come ad esempio in presenza di liquidi, gas o polveri infiammabili. L'inserimento o la rimozione del cavo di carica dall'utensile potrebbe incendiare tali polveri o fumi.
- ◆ Caricare la batteria esclusivamente con il cavo di carica fornito e un alimentatore di classe 2 adatto.
- ◆ **NON** spruzzare o immergere in acqua.
- ◆ **EVITARE** che acqua o altri liquidi penetrino all'interno dell'utensile.
- ◆ **NON** custodire né utilizzare l'utensile in luoghi in cui la temperatura raggiunge o supera 40° C (come all'esterno di capannoni o strutture metalliche d'estate). Per una conservazione ottimale degli utensili, riporli in luogo fresco e asciutto.
- ◆ **Non** conservare le batterie all'interno di un utensile con l'interruttore di accensione/spegnimento bloccato nella posizione di accensione. **Non** bloccare mai l'interruttore di accensione/spegnimento nella posizione di accensione con del nastro adesivo.
- ◆ **NON** bruciare l'utensile anche nel caso in cui sia seriamente danneggiato o completamente usurato. La batteria può esplodere in un incendio. La combustione delle batterie agli ioni di litio genera fumi e materiali tossici.
- ◆ Se il contenuto della batteria dovesse venire a contatto con la pelle, lavare immediatamente con sapone delicato e acqua. Se il liquido della batteria dovesse raggiungere gli occhi, sciacquare con acqua ad occhi aperti per 15 minuti o fino a quando cesserà l'irritazione. Se dovesse essere necessario ricorrere a cure mediche, l'elettrolito della batteria è composto da una miscela di carbonati organici liquidi e di sali di litio.
- ◆ Il contenuto delle celle della batteria aperta può causare irritazione delle vie respiratorie. Far circolare aria fresca. Se i sintomi persistono, consultare un medico.
- ◆ Il liquido della batteria può essere infiammabile se esposto a scintille o fiamme.

- ◆ Non tentare mai di aprire l'utensile per alcun motivo. Se l'utensile è crepato o danneggiato, non caricarlo. Non schiacciare, far cadere o danneggiare l'utensile. Non utilizzare un utensile o un caricabatterie che abbiano subito un forte colpo, siano caduti, siano stati travolti o danneggiati in qualsiasi modo (per esempio, forati con un chiodo, battuti con un martello o calpestati). Gli utensili danneggiati devono essere inviati al centro assistenza per essere riciclati.

Istruzioni per la conservazione

Custodire l'utensile in un luogo fresco e asciutto, non illuminato direttamente dal sole e protetto da temperature eccessivamente calde o fredde.

Conservare l'utensile con la batteria completamente carica, scollegato dal caricabatterie.

Trasporto

Nota: gli utensili con batteria agli ioni di litio integrata non possono essere trasportati nel bagaglio da stiva degli aerei e possono essere inseriti nel bagaglio a mano, purché opportunamente protetti dai cortocircuiti.

Istruzioni di sicurezza importanti per il caricamento di tutte le batterie integrate

Avvertenza! Leggere tutte le avvertenze di sicurezza, le istruzioni e i segnali di avvertimento per la batteria, il cavo di ricarica e il prodotto. La mancata osservanza delle avvertenze e delle istruzioni può dar luogo a scossa elettrica, incendio e/o lesioni gravi.

- ◆ Usare esclusivamente con apparecchiature informatiche (computer) omologate/certificate.
- ◆ NON esporre il cavo di carica ad acqua, pioggia o neve.
- ◆ Per scollegare il cavo di carica, tirare i connettori e non il cavo. In tal modo si riduce il rischio che si danneggino entrambi.
- ◆ Assicurarsi che il cavo sia posizionato in modo che non venga calpestato, non causi intralcio e non sia altrimenti soggetto a danni o sollecitazioni.
- ◆ Quando si carica l'utensile all'aperto, scegliere sempre un luogo asciutto.
- ◆ NON utilizzare il cavo di carica se il filo o i connettori sono danneggiati. Farli sostituire immediatamente.
- ◆ Materiali estranei di natura conduttiva come, a titolo esemplificativo ma non esaustivo, polvere di smerigliatura, schegge metalliche, lana di acciaio, lamine di alluminio o qualsiasi accumulo di particelle metalliche, dovrebbero essere mantenuti lontani dai connettori e dalla presa di ricarica.
- ◆ Scollegare sempre il cavo di carica dalla fonte di alimentazione quando l'utensile non è collegato allo stesso.

Caratteristiche

Questo elettrotensile è dotato di:

1. Grilletto di azionamento
2. Interruttore di alimentazione
3. LED dell'indicatore di carico/pronto per l'uso
4. Meccanismo di scatto per contatto
5. Caricatore
6. Fermo di rilascio del caricatore
7. Finestra di visualizzazione della graffettatrice
8. Porta di ricarica
9. Cavo di ricarica

Assemblaggio

Avvertenza! Per ridurre il rischio di gravi lesioni personali, spegnere l'unità e tenere le mani lontano dal pulsante di accensione/spegnimento prima di eseguire qualsiasi regolazione o rimozione/installazione di dotazioni o accessori. Un avvio accidentale potrebbe provocare lesioni a persone.

Procedura di carica (fig. A)

Avvertenza! Non usare l'elettrotensile quando è collegato al caricabatterie.

- ◆ Inserire il connettore di ricarica (9) nella presa di carica (8).
- ◆ Inserire il connettore di ricarica in una qualsiasi presa di ricarica (come ad esempio la presa di un computer).
- ◆ Il LED dell'indicatore di carica (3) lampeggia durante la ricarica.
- ◆ Il LED dell'indicatore di carica si illumina con una luce fissa a ricarica completata.
- ◆ A quel punto la batteria può essere lasciata in carica oppure è possibile scollegare il cavo di ricarica

Note importanti riguardanti la carica

- ◆ Il caricabatterie e l'utensile possono diventare caldi al tatto durante la carica. Si tratta di un fatto normale che non indica la presenza di problemi. Per agevolare il raffreddamento dell'utensile dopo l'uso, evitare di mettere il caricabatterie o l'utensile in un ambiente caldo, come, ad esempio, all'interno di un capannone di metallo o di un rimorchio non isolato termicamente.
- ◆ Se l'utensile non si carica, portarlo insieme al cavo di ricarica presso il proprio centro di assistenza di zona.
- ◆ È anche possibile caricare una batteria parzialmente utilizzata ogni volta che si desidera, senza alcun effetto negativo per l'utensile.

Assemblaggio e regolazione

Avvertenza! Per ridurre il rischio di gravi lesioni personali, spegnere l'unità e tenere le mani lontano dal grilletto prima di eseguire qualsiasi regolazione o rimozione/installazione di dotazioni o accessori. Un avvio accidentale potrebbe provocare lesioni a persone.

Preparazione dell'utensile

Avvertenza! Tenere l'elettrotensile puntato lontano da sé e dagli altri. Potrebbero verificarsi lesioni gravi alle persone.

Avvertenza! Per ridurre il rischio di gravi lesioni personali, assicurarsi che l'interruttore di alimentazione sia in posizione di spegnimento e tenere le mani lontane dal grilletto e rimuovere le graffette e i chiodini dal caricatore prima di effettuare le regolazioni.

Avvertenza! Non spruzzare o applicare MAI in qualsiasi altro modo lubrificanti o solventi all'interno dell'apparecchio. Questo può compromettere seriamente la durata e le prestazioni dell'elettrotensile.

- ◆ Leggere la sezione Istruzioni di sicurezza del presente manuale.
- ◆ Indossare occhiali di sicurezza e dispositivi di protezione per l'udito.
- ◆ Assicurarsi che il caricatore 5 sia completamente vuoto.
- ◆ Posizionare il meccanismo di scatto per contatto 4 sulla superficie di lavoro per verificare che funzioni in modo corretto e uniforme. Non utilizzare l'elettrotensile se non funziona correttamente. Non usare MAI un elettrotensile se il meccanismo di scatto per contatto è bloccato nella posizione di attivazione.
- ◆ Tenere l'elettrotensile puntato lontano da sé e dagli altri.

Caricamento dell'elettrotensile (Fig. B)

Avvertenza! Tenere l'elettrotensile puntato lontano da sé e dagli altri. Potrebbero verificarsi lesioni gravi alle persone.

Avvertenza! Verificare sempre che l'interruttore di alimentazione sia in posizione di spegnimento prima di caricare o scaricare i chiodi.

Avvertenza! Non caricare mai punti metallici/chiodi con il meccanismo di scatto per contatto o il grilletto di azionamento attivati. Potrebbero verificarsi lesioni alle persone.

Compatibilità universale con punti metallici per impieghi gravosi da 6 mm a 14 mm, larghezza della corona di 10,6 mm e chiodi da 15 mm.

- ◆ Premere il fermo di rilascio del caricatore (6) ed estrarre il caricatore scorrevole (5).
- ◆ Caricare i dispositivi di fissaggio. Assicurarsi che i punti metallici siano caricati in modo che la corona del punto metallico sia appoggiata contro la superficie interna del caricatore.

Nota: la testa del chiodo deve essere appoggiata contro la superficie interna del caricatore sul lato sinistro. Se viene caricata sul lato destro il caricatore non si chiude.

- ◆ Chiudere il caricatore scorrevole fino a quando il rispettivo fermo non scatta completamente.

Scaricamento dell'elettrotensile

Avvertenza! Assicurarsi sempre che l'interruttore di alimentazione sia in posizione di spegnimento (0).

- ◆ Premere il fermo di rilascio del caricatore (6) ed estrarre il caricatore scorrevole (5).
- ◆ Inclinare l'elettrotensile lateralmente finché i punti metallici non scendono liberamente fuori dalla parte inferiore del caricatore.
- ◆ Controllare che non siano rimasti punti metallici sciolti all'interno del caricatore.
- ◆ Chiudere completamente il caricatore scorrevole.

Rimozione di un punto metallico inceppato

Se un punto metallico rimane inceppato nel caricatore, tenere l'utensile puntato lontano da sé e seguire le istruzioni per la rimozione:

Avvertenza! Verificare sempre che l'interruttore di alimentazione sia in posizione di spegnimento prima di rimuovere un punto metallico inceppato

- ◆ Premere il fermo di rilascio del caricatore (6) e rimuovere gli eventuali punti metallici caricati;
- ◆ Ispezionare visivamente l'interno del caricatore (5) per rilevare la presenza di punti metallici inceppati.
- ◆ Rimuovere un chiodo piegato usando delle pinze, se necessario.
- ◆ Reinscrivere i punti metallici nel caricatore (vedere il capitolo Caricamento dell'elettrotensile).

Funzionamento

Avvertenza! Per ridurre il rischio di gravi lesioni personali, spegnere l'unità e tenere le mani lontano dal grilletto prima di eseguire qualsiasi regolazione o rimozione/installazione di dotazioni o accessori. Un avvio accidentale potrebbe provocare lesioni a persone.

Funzionamento a grilletto (Fig. C)

Avvertenza! Indossare sempre dispositivi di protezione per gli occhi e l'udito quando si usa l'elettrotensile.

Avvertenza! Tenere le dita LONTANO dal grilletto di azionamento quando non si inseriscono dispositivi di fissaggio per evitare un azionamento accidentale. Non trasportare MAI l'elettrotensile tenendo il dito sul grilletto di azionamento.

- ◆ Premere l'interruttore di alimentazione (2) da "O" a "I" per accendere la graffettatrice.
- ◆ Premere completamente il meccanismo di scatto per contatto (4) contro la superficie di lavoro e l'indicatore verde (3) dovrebbe accendersi.

- ◆ Tirare il grilletto di azionamento (1). Il dispositivo di fissaggio sarà inserito nella superficie di lavoro.

Nota: tenere premuto verso il basso sulla superficie di lavoro finché il dispositivo di fissaggio viene inserito.

- ◆ Rilasciare il grilletto di azionamento.
- ◆ Sollevare l'interruttore di contatto dalla superficie di lavoro.
- ◆ Ripetere i passaggi da 1 a 4 per l'applicazione successiva.

Nota: il meccanismo di scatto per contatto deve essere premuto e il grilletto di azionamento deve poi essere tirato per ciascun dispositivo di fissaggio.

Dopo l'inserimento di ciascun dispositivo di fissaggio sia il meccanismo di scatto per contatto che il grilletto di azionamento devono essere rilasciati.

Posizionamento corretto delle mani (Fig. D)

Avvertenza! Al fine di ridurre il rischio di lesioni personali gravi, tenere le mani **SEMPRE** nella posizione corretta, illustrata in figura.

Avvertenza! per ridurre il rischio di lesioni personali gravi, mantenere **SEMPRE** l'elettrotensile con presa sicura per prevenire reazioni improvvise.

La posizione corretta delle mani prevede una mano sull'impugnatura principale.

Manutenzione

L'elettrotensile BLACK+DECKER è stato concepito per funzionare per un lungo periodo con un minimo di manutenzione. Prestazioni sempre soddisfacenti dipendono da una cura appropriata e da una pulizia regolare.

- ◆ Pulire regolarmente l'elettrotensile con un panno umido. Non usare materiali abrasivi o detersivi a base di solventi. Evitare la penetrazione di liquidi all'interno dell'elettrotensile e non immergere mai nessuna parte dello stesso in sostanze liquide.

Accessori

Avvertenza! Su questo prodotto sono stati collaudati soltanto gli accessori offerti da BLACK+DECKER, quindi l'utilizzo di accessori diversi potrebbe essere rischioso. Per ridurre il rischio di lesioni, su questo prodotto vanno utilizzati solo gli accessori raccomandati BLACK+DECKER.

Gli accessori raccomandati per l'uso con l'apparato sono disponibili a un costo aggiuntivo presso il vostro rivenditore locale o centro di assistenza autorizzato.

- ◆ TRA704T – 6 mm Punto metallico piatto 10,6 x 1,26 mm
- ◆ TRA705T – 8 mm Punto metallico piatto 10,6 x 1,26 mm
- ◆ TRA706T – 10 mm Punto metallico piatto 10,6 x 1,26 mm
- ◆ TRA708T – 12 mm Punto metallico piatto 10,6 x 1,26 mm
- ◆ TRA709T – 14 mm Punto metallico piatto 10,6 x 1,26 mm
- ◆ SWK-BN0625T – Chiodi da 15 mm/5/8"18ga di tipo J

Tutela ambientale



Raccolta differenziata. I prodotti e le batterie contrassegnati con questo simbolo non devono essere smaltiti con i rifiuti domestici normali.

Prodotti e batterie contengono materiali che possono essere recuperati o riciclati, riducendo la domanda di materie prime. Riciclare i prodotti elettrici e le batterie attenendosi alle disposizioni locali vigenti.

Ulteriori informazioni sono disponibili all'indirizzo www.2helpU.com.

Dati tecnici

		BCN115
Tensione	V _{DC}	3,6
Misura punti metallici	mm	6 - 14
Misura chiodi	mm	15
Peso	kg	0,9

Livello di pressione sonora misurato in conformità alla norma EN 660745:

Livello di pressione emissioni sonore: (L_{PA}): 77 dB(A); K=3 dB(A);

Livello di potenza sonora misurata: (L_{WA}): 88 dB(A); K=3 dB(A);

Valori totali di emissione di vibrazione (somma vettore triassiale) in conformità alla norma EN 60745:

Livello di vibrazione: (ah): 5,7 m/s²; K=1,5 m/s²

Dichiarazione di conformità CE

DIRETTIVA MACCHINE



Graffettatrice per l'avvitatura manuale BCN115

Black & Decker dichiara che i prodotti descritti nella sezione "Dati tecnici" sono conformi alle seguenti norme:

2006/42/CE, EN60745-1:2009+A11:2010 e EN60745-2-16:2010, Questi prodotti sono inoltre conformi alle Direttive 2014/30/UE e 2011/65/UE.

Per ulteriori informazioni, contattare Black & Decker al seguente indirizzo oppure consultare l'ultima di copertina del manuale.

Il firmatario è responsabile della compilazione del documento tecnico e rende questa dichiarazione per conto di
Black & Decker.

Patrick Diepenbach

Patrick Diepenbach

Direttore generale, Benelux

Black and Decker,

Egide Walschaertsstraat 14-18

2800 Mechelen, Belgio

15/12/2021

Garanzia

Black & Decker è certa della qualità dei propri prodotti e offre ai consumatori una garanzia di 24 mesi dalla data di acquisto. Il presente certificato di garanzia è complementare ai diritti legali e non li pregiudica in alcun modo. La garanzia è valida nei territori degli Stati membri dell'Unione Europea o dell'EFTA (Associazione europea di libero scambio).

Per attivare la garanzia, il reclamo deve essere effettuato in accordo con i Termini e Condizioni Black&Decker e sarà necessario presentare la prova di acquisto al venditore o all'agente di riparazione autorizzato.

I Termini e condizioni della garanzia Black & Decker di 2 anni e la sede del tecnico riparatore autorizzato più vicino sono consultabili su Internet all'indirizzo www.2helpU.com, o contattando l'ufficio Black & Decker di zona all'indirizzo indicato in questo manuale.

Visitare il nostro sito www.blackanddecker.co.uk per registrare il nuovo prodotto BLACK&DECKER e ricevere aggiornamenti su nuovi prodotti e offerte speciali.

Bedoeld gebruik

Deze BLACK+DECKER™ snoerloze tacker BCN115 is ontworpen voor toepassingen op het gebied van handvaardigheid. Het product is uitsluitend bestemd voor huishoudelijk consumentengebruik. Niet geschikt voor het vastzetten van elektrische kabels.

Veiligheidsinstructies

Algemene veiligheidswaarschuwingen voor elektrisch gereedschap



Waarschuwing! Lees alle veiligheids-waarschuwingen, instructies, illustraties en specificaties die bij dit gereedschap zijn meegeleverd. Wanneer de volgende waarschuwingen en voorschriften niet in acht worden genomen, kan dit een elektrische schok, brand of ernstig letsel tot gevolg hebben.

Bewaar alle waarschuwingen en instructies als referentiemateriaal. De hierna gebruikte term 'elektrisch gereedschap' in alle waarschuwingen die hieronder worden vermeld, heeft betrekking op elektrisch gereedschap voor gebruik op netspanning (met netsnoer) of met een accu (snoerloos).

1. Veilige werkomgeving

- Houd uw werkomgeving schoon en goed verlicht.** Op rommelige of donkere plekken zullen sneller ongelukken gebeuren.
- Werk niet met elektrisch gereedschap in een omgeving met explosiegevaar, zoals in de nabijheid van brandbare vloeistoffen, gassen of stof.** Elektrisch gereedschap veroorzaakt vonken die het stof of de dampen kunnen doen ontbranden.
- Houd kinderen en omstanders tijdens het gebruik van elektrisch gereedschap op afstand.**

Als u wordt afgeleid, kunt u de controle over het gereedschap verliezen.

2. Elektrische veiligheid

- De netstekker van het elektrisch gereedschap moet in het stopcontact passen. Pas de stekker nooit op enige manier aan.**

Gebruik geen adapterstekkers in combinatie met geaard elektrisch gereedschap. Niet-aangepaste stekkers en passende contactdozen verminderen het risico van een elektrische schok.

- Vermijd aanraking van het lichaam met geaarde oppervlakken, bijvoorbeeld buizen, verwarmingen, fornuizen en koelkasten.** Er bestaat een verhoogd risico van een elektrische schok als uw lichaam contact heeft met aarde.
- Stel elektrisch gereedschap niet bloot aan regen en vocht.** Als er water in een elektrisch gereedschap dringt, verhoogt dit het risico van een elektrische schok.
- Behandel het snoer voorzichtig. Gebruik het snoer nooit om het elektrisch gereedschap te dragen of naar u toe te trekken, of de stekker uit het stopcontact te halen.** Houd het snoer uit de buurt van warmtebronnen, olie, scherpe randen, of bewegende onderdelen. Beschadigde snoeren of snoeren die in de war zijn geraakt, verhogen het risico van een elektrische schok.
- Gebruik, wanneer u buitenshuis met elektrisch gereedschap werkt, alleen verlengsnoeren die zijn goedgekeurd voor gebruik buitenshuis.** Het gebruik van een verlengsnoer dat geschikt is voor binnen vermindert het risico van een elektrische schok.
- Als u met elektrisch gereedschap werkt op een vochtige locatie, gebruik dan een reststromschakelaar (RCD).** Het gebruik van een aardlekschakelaar vermindert het risico van een elektrische schok.

3. Persoonlijke veiligheid

- Blijf alert, let goed op wat u doet en ga met verstand te werk bij het gebruik van elektrisch gereedschap. Gebruik elektrisch gereedschap niet als u vermoeid bent of als u onder invloed van drugs, alcohol of medicatie bent.** Een moment van onoplettendheid tijdens het werken met elektrisch gereedschap kan leiden tot ernstig persoonlijk letsel.
- Draag persoonlijke beschermende uitrusting. Draag altijd oogbescherming.** Beschermende uitrusting, zoals een stofmasker, antislip veiligheidsschoenen, een helm, of gehoorbescherming, gebruikt in de juiste omstandigheden, zal het risico op persoonlijk letsel verminderen.

- c. **Voorkom per ongeluk inschakelen. Controleer, voor u de stekker in het stopcontact steekt en/of de accu plaatst, en voor u het gereedschap oppakt en draagt, dat de schakelaar in de uit-stand staat.** Het dragen van elektrisch gereedschap met uw vinger op de schakelaar of het aanzetten van elektrisch gereedschap waarvan de schakelaar aan staat, kan leiden tot ongelukken.
- d. **Verwijder stelsleutels of steeksleutels voordat u het elektrisch gereedschap inschakelt.** Een steeksleutel of een inbussleutel in een draaiend deel van het elektrisch gereedschap kan tot persoonlijk letsel leiden.
- e. **Reik niet buiten uw macht. Blijf altijd stevig en in balans op de grond staan.** Dit geeft u betere controle over het elektrisch gereedschap in onverwachte situaties.
- f. **Draag geschikte kleding. Draag geen loszittende kleding of sieraden. Houd uw haar en kleding weg bij bewegende onderdelen.** Loszittende kleding, sieraden of lang haar kunnen door bewegende delen worden gegrepen.
- g. **Als voorzieningen voor stofafzuiging of een stofreservoir kunnen worden gemonteerd, controleer dan dat deze zijn aangesloten en op de juiste wijze worden gebruikt.** Het gebruik van stofafzuiging kan aan stof gerelateerde gevaren verminderen.
- h. **Word niet gemakzuchtig doordat u door veelvuldig gebruik vertrouwd bent geraakt met het gereedschap, en verlies niet de veiligheidsbeginselen uit het oog.** Een onvoorzichtige handeling kan in een fractie van een seconde ernstig letsel tot gevolg hebben.
4. **Gebruik en onderhoud van elektrisch gereedschap**
- a. **Overbelast het elektrisch gereedschap niet. Gebruik het juiste elektrisch gereedschap voor uw toepassing.** Met het juiste elektrisch gereedschap kunt u de werkzaamheden waarvoor het gereedschap is ontworpen, beter en veiliger uitvoeren.
- b. **Gebruik het elektrisch gereedschap niet als de schakelaar niet goed werkt.** Ieder elektrisch gereedschap dat niet met de schakelaar kan worden bediend, is gevaarlijk en moet worden gerepareerd.
- c. **Haal de stekker uit het stopcontact en/of neem de accu uit het gereedschap voor u aanpassingen uitvoert, accessoires verwisselt of het elektrische gereedschap opbergt.** Dergelijke preventieve veiligheidsmaatregelen verminderen het risico dat het elektrisch gereedschap per ongeluk wordt gestart.
- d. **Bewaar elektrisch gereedschap dat niet wordt gebruikt, buiten bereik van kinderen. Laat personen die er niet vertrouwd mee zijn en deze aanwijzingen niet hebben gelezen niet met het gereedschap werken.** Elektrisch gereedschap is gevaarlijk in handen van ongetrainde gebruikers.
- e. **Onderhoud elektrisch gereedschap en accessoires goed. Controleer dat bewegende delen van het elektrisch gereedschap wel goed functioneren en niet klemmen, en dat er niet onderdelen zodanig zijn gebroken of beschadigd dat de werking van het gereedschap nadelig wordt beïnvloed. Laat het gereedschap voor gebruik repareren als het beschadigd is.** Veel ongelukken worden veroorzaakt door slecht onderhouden elektrisch gereedschap.
- f. **Houd zaag- en snijgereedschap scherp en schoon.** Goed onderhouden zaaggereedschap met scherpe snijvlakken loopt minder snel vast en is gemakkelijker onder controle te houden.
- g. **Gebruik elektrisch gereedschap, accessoires, zaagjes en boortjes, enz., volgens deze aanwijzingen. Let daarbij op de werkomstandigheden en de uit te voeren werkzaamheden.**
Gebruik van het elektrisch gereedschap voor werkzaamheden die anders zijn dan bedoeld, kan leiden tot een gevaarlijke situatie.
- h. **Houd de handgrepen droog, schoon en vrij van olie en vet.** Gladde handgrepen en greepoppervlakken maken het moeilijk het gereedschap veilig te hanteren en onder controle te houden in onverwachte situaties.
5. **Gebruik en onderhoud van accugereedschap**
- a. **Laad accu's alleen op met de door de fabrikant aanbevolen lader.** Een lader die geschikt is voor het ene type accu, kan een risico van brand doen ontstaan bij gebruik met een andere accu.
- b. **Gebruik elektrisch gereedschap alleen in combinatie met specifiek vermelde accu's.** Het gebruik van andere accu's kan gevaar voor letsel en brand opleveren.
- c. **Houd de accu, wanneer u deze niet gebruikt, weg bij andere metalen objecten zoals paperclips, munten, sleutels, spijkers, schroeven of andere kleine metalen voorwerpen die een verbinding tot stand kunnen brengen tussen de ene pool en de andere.** Als kortsluiting tussen de polen van de accu wordt gemaakt, kan dit tot brandwonden of brand leiden.
- d. **Wanneer de accu verkeerd wordt behandeld, kan er vloeistof uit de accu spuiten, vermijd contact met deze vloeistof. Als er per ongeluk contact ontstaat, spoel dan met water. Als de vloeistof in de ogen komt, roep dan tevens medische hulp in.** Vloeistof uit de accu kan irritatie en brandwonden veroorzaken.
- e. **Gebruik niet een accu of gereedschap die/dat is beschadigd of waaraan wijzigingen zijn aangebracht.** Beschadigde of gewijzigde accu's kunnen zich onvoorspelbaar gedragen en dat kan leiden tot brand, een explosie of een risico van letsel.
- f. **Stel een accu of het gereedschap niet bloot aan vuur of extreme temperaturen.**

Blootstelling aan vuur of temperatuur hoger dan 130 °C kan een explosie tot gevolg hebben. **OPMERKING:** Voor de temperatuur "130 °C" kunt u lezen "265 °F".

- g. Volg alle aanwijzingen voor het laden en laad de accu of het gereedschap niet op buiten het temperatuurbereik dat wordt vermeld in de instructies.** Op onjuiste wijze opladen of buiten het vermelde temperatuurbereik kan de accu beschadigen en het risico van brand doen toenemen.
- 6. Service**
- a. Laat het gereedschap alleen repareren door gekwalificeerd en vakkundig personeel en alleen met originele vervangingsonderdelen.** De veiligheid van het gereedschap blijft dan gewaarborgd.
- b. Voer nooit servicewerkzaamheden uit aan accu's.** Alleen de fabrikant of erkende serviceproviders mogen onderhoudswerkzaamheden aan accu's..

Aanvullende veiligheidsinstructies voor snoerloze tackers

- ◆ Draag altijd een veiligheidsbril.
- ◆ Draag altijd gehoorbescherming.
- ◆ Gebruik alleen bevestigingsmiddelen van het type dat is beschreven in de handleiding.
- ◆ Bevestig niet het gereedschap op een standaard of een steun.
- ◆ Demonteer of blokkeer nooit onderdelen van de tacker en, bijvoorbeeld de contactschakelaar.
- ◆ Controleer voor elk gebruik dat de vergrendeling en de Aan/Uit-schakelaar goed functioneren en dat bouten en moeren goed vastzitten.
- ◆ Gebruik het gereedschap niet als hamer.
- ◆ Gebruik het gereedschap niet op een ladder.
- ◆ Richt nooit een werkende tacker op uzelf of iemand anders.
- ◆ Houd het gereedschap tijdens gebruik altijd zo vast dat er op geen enkele wijze letsel aan uw hoofd of lichaam kan ontstaan als het apparaat terugslaat door een stroomstoring of harde stukken in het werkstuk.
- ◆ Richt de tacker nooit naar een open ruimte.
- ◆ Draag het gereedschap in het werkgebied altijd aan de handgreep, en nooit met de Aan/Uit-schakelaar ingeschakeld.
- ◆ Houd rekening met de omstandigheden in het werkgebied, bevestigingsmiddelen kunnen door dunne materialen schieten of van hoeken en randen afketsen en daardoor mensen in gevaar brengen.
- ◆ Bevestig geen bevestigingsmiddelen in de buurt van de randen van het werkstuk.
- ◆ Schiet geen bevestigingsmiddelen bovenop andere bevestigingsmiddelen.

- ◆ **Ga er altijd vanuit dat het gereedschap bevestigingsmateriaal bevat.** Onzorgvuldig gebruik van de snoerloze tacker kan ertoe leiden dat er onverwacht bevestigingsmiddelen worden afgeschoten waardoor persoonlijk letsel kan ontstaan.
- ◆ **Richt het gereedschap niet op uzelf of op iemand die zich dichtbij u bevindt.** Wanneer de trekker onverwacht wordt overgehaald, zullen bevestigingsmiddelen worden afgevuurd wat persoonlijk letsel tot gevolg kan hebben.
- ◆ **Zet het gereedschap niet aan voordat u het stevig tegen het werkstuk hebt geplaatst.** Als het gereedschap geen contact maakt, kan het bevestigingsmiddel wegschieten.
- ◆ **Koppel het gereedschap los van de stroombron als er bevestigingsmiddelen zijn vastgelopen in het gereedschap.** Wanneer u bevestigingsmiddelen die vastzitten losmaakt, kan de tacker onbedoeld in werking treden als de accu nog in het gereedschap zit.
- ◆ **Gebruik het gereedschap niet voor het bevestigen van elektriciteitskabels.** Het gereedschap is niet ontworpen voor installatie van elektriciteitskabel, het kan de isolatie van de elektriciteitskabels beschadigen en dat kan elektrische schokken of brand tot gevolg hebben.

Labels op het apparaat

De volgende symbolen worden met de datumcode op het apparaat vermeld:



Waarschuwing! De gebruiker moet de instructiehandleiding lezen zodat het risico van letsel wordt beperkt.

Trillingen

Het vibratie- en/of lawaai-emissieniveau dat in dit informatieblad wordt gegeven, is gemeten in overeenstemming met een gestandaardiseerde test die wordt gegeven in EN60745 en u kunt ermee het ene gereedschap met het andere vergelijken. Het kan worden gebruikt voor een eerste inschatting van blootstelling.

WAARSCHUWING: Het verklaarde vibratie- en/of lawaai-emissieniveau geldt voor de hoofdtoepassingen van het gereedschap. Als het gereedschap echter voor andere toepassingen wordt gebruikt, dan wel met andere accessoires of slecht wordt onderhouden, kan de vibratie- en/of lawaai-emissie verschillen. Dit kan het blootstellingsniveau aanzienlijk verhogen gedurende de totale arbeidsduur.

Een inschatting van het blootstellingsniveau aan vibratie en/of lawaai moet ook worden overwogen wanneer het gereedschap wordt uitgeschakeld of als het aan staat maar geen daadwerkelijke werkzaamheden uitvoert.

Belangrijke veiligheidsinstructies voor alle gereedschap met geïntegreerde accu

Waarschuwing! Lees alle veiligheidswaarschuwingen, instructies en aanwijzingen voor veilig gebruik voor de accu, de lader en het product. Het niet opvolgen van de waarschuwingen en instructies kan leiden tot een elektrische schok, brand en/of ernstig persoonlijk letsel.

- ◆ Gebruik nooit geweld wanneer u de stekker van een lader in het gereedschap steekt.
- ◆ WIJZIG NIET op welke wijze dan ook de stekker van de lader van een lader die niet geschikt is, in het gereedschap, omdat de accu kan openbarsten en dat kan ernstig persoonlijk letsel tot gevolg hebben.
- ◆ LAAD de accu NIET OP en gebruik de accu in een explosieve omgeving, zoals in de aanwezigheid van ontvlambare vloeistoffen of gassen of stof. Wanneer u de stekker van de lader in het gereedschap steekt of eruit neemt, kunnen het stof en de dampen tot ontbranding komen.
- ◆ Laad de accu uitsluitend op met de meegeleverde kabel en een geschikte voeding van klasse 2.
- ◆ Spat de accu NIET nat met water en dompel de accu NIET onder in water.
- ◆ Laat NIET water of een andere vloeistof in het gereedschap dringen.
- ◆ Gebruik of bewaar de accu NIET op plaatsen waar de temperatuur 40 °C of meer kan bereiken (bijvoorbeeld in een schuurtje of een metalen loods in de zomer). Het gereedschap gaat het langste mee wanneer u het op een koele, droge plaats opbergt.
- ◆ Berg het gereedschap niet op met de schakelaar in de aan-stand. Probeer nooit de schakelaar met tape in de ingeschakelde stand te vergrendelen.
- ◆ Gooi het gereedschap niet in het vuur, zelfs niet als het ernstig beschadigd of geheel versleten is. De accu kan ontploffen in vuur. Er kunnen giftige dampen ontstaan wanneer lithium-ion accu's worden verbrand.
- ◆ Als de inhoud van de accu in contact komt met de huid, was het gebied dan onmiddellijk met een milde zeepoplossing en water. Als accuvloeistof in contact komt met de ogen, spoel het geopende oog dan gedurende 15 minuten uit of tot de irritatie over is. Als medische hulp vereist is, weet dan dat elektrolyt van de accu is samengesteld uit een mengsel van vloeibare organische carbonaten en lithium-zouten.
- ◆ De inhoud van de geopende accu kan irritatie van de luchtwegen veroorzaken. Zorg voor frisse lucht. Roep medische hulp in als de symptomen aanhouden.
- ◆ Accu-vloeistof kan ontbranden bij blootstelling aan vonken of open vuur.

- ◆ Probeer nooit om welke reden dan ook het gereedschap open te maken.

Laad het gereedschap niet op als de behuizing gebarsten is of beschadigd. Zet niet te veel druk op het gereedschap, laat het niet vallen, beschadig het niet.

Gebruik gereedschap en een lader niet als zij hard zijn gestoten, zijn gevallen, er iets overheen is gereden of als zij op welke manier dan ook zijn beschadigd (bijv., doorboord met een spijker, er met een hamer op is geslagen, iemand erop heeft gestaan). Breng beschadigd gereedschap terug naar het servicecentrum zodat het kan worden gerecycled.

Aanbevelingen voor opslaan

De beste opslagplaats is er een die koel en droog is, weg van direct zonlicht en overmatige warmte of kou.

Berg het geheel opgeladen gereedschap los van de lader op.

Transport

Opmerking: Gereedschap met geïntegreerde Li-ion-accu mag niet in gecontroleerde bagage in vliegtuigen worden gestopt en moet op juiste wijze worden beschermd tegen kortsluiting, als het in handbagage wordt vervoerd.

Belangrijke veiligheidsinstructies voor het opladen van alle geïntegreerde accu's

Waarschuwing! Lees alle veiligheidswaarschuwingen, instructies en aanwijzingen voor veilig gebruik voor de accu, de laadkabel en het product. Het niet opvolgen van de waarschuwingen en instructies kan leiden tot een elektrische schok, brand en/of ernstig persoonlijk letsel.

- ◆ Uitsluitend te gebruiken met Vermelde/Gecertificeerde Informatietechnologie-apparatuur (PC).
- ◆ Stel de laadkabel NIET bloot aan water, regen of sneeuw.
- ◆ U kunt beter aan de stekkers trekken dan aan de snoeren wanneer u de laadkabel loskoppelt. Dit beperkt het risico dat de stekkers en het snoer worden beschadigd.
- ◆ Controleer dat het snoer zo is geplaatst dat niemand erop kan stappen of erover kan struikelen of het snoer op andere wijze beschadigd of bekneld raakt.
- ◆ Zorg altijd voor een droge plek wanneer u het gereedschap buiten oplaadt.
- ◆ Gebruik een laadkabel NIET wanneer het snoer of een stekker is beschadigd. Laat ze onmiddellijk vervangen.
- ◆ Houd vreemde materialen die geleidende eigenschappen hebben, zoals, maar niet uitsluitend, slijpstof, metaalsnippers, staalwol, aluminiumfolie of een ophoping van metaaldeeltjes, weg bij de laadstekkers en micro-laadstekkers en de oplaadpoort.
- ◆ Trek altijd de laadkabel uit de stroomvoorziening, wanneer er niet een stuk gereedschap op is aangesloten.

Functies

Het apparaat kan de volgende onderdelen bevatten:

1. Aan/Uit-schakelaar
2. Aan/uit-schakelaar
3. Laadindicator/gereed voor LED
4. Contactschakelaar
5. Magazijn
6. Vrijgaveklem van het magazijn
7. Venster voor nietenvoorraad
8. Laadpoort
9. Laadkabel

Montage

Waarschuwing! Beperk het risico van ernstig persoonlijk letsel, zet het apparaat uit en blijf uit de buurt van de Aan/Uit-knop voor u aanpassingen aanbrengt of hulpstukken of accessoires verwijdert/installeert. Wanneer het apparaat per ongeluk wordt gestart, kan dat leiden tot letsel.

Laadprocedure (afb. A)

Waarschuwing! Gebruik het gereedschap niet terwijl het op de lader is aangesloten.

- ◆ Steek de stekker (9) van de laadkabel in de laadpoort (8).
- ◆ Steek de laadstekker in een laadpoort (zoals op een computer).
- ◆ Het LED-indicatielampje (3) voor het laden knippert rood tijdens het opladen van de accu.
- ◆ Het LED-indicatielampje voor het laden gaat ononderbroken groen branden wanneer de accu geheel is geladen.
- ◆ U kunt de accu blijven opladen of de lader loskoppelen

Belangrijke opmerkingen over laden

- ◆ De lader en het gereedschap zullen tijdens het laden misschien bij aanraking warm aanvoelen. Dit is normaal en wijst niet op een probleem. Laat het gereedschap na gebruik afkoelen, plaats en de lader of het gereedschap na gebruik niet in een warme omgeving, zoals een metalen schuur of een niet-geïsoleerde aanhangwagen.
- ◆ Laad het gereedschap niet goed op, breng het gereedschap en de lader dan naar het servicecentrum bij u in de buurt.
- ◆ U kunt ook een gedeeltelijk lege accu opladen, wanneer u dat maar wilt, zonder dat dat negatieve gevolgen heeft voor het gereedschap.

Montage en aanpassingen

Waarschuwing! Beperk het risico van ernstig persoonlijk letsel, zet het apparaat uit en blijf uit de buurt van de Aan/Uit-schakelaar voor u aanpassingen aanbrengt of hulpstukken of accessoires verwijdert/installeert. Wanneer het apparaat per ongeluk wordt gestart, kan dat leiden tot letsel.

Het gereedschap gereedmaken

Waarschuwing! Houd het gereedschap afgewend van uzelf en andere personen. Ernstig persoonlijk letsel zou het gevolg kunnen zijn.

Waarschuwing! Beperk het risico van ernstig persoonlijk letsel, controleer dat de Aan/uit-knop in de stand Uit staat en houd u handen weg bij de Aan/uit-schakelaar, haal niet en en spijkers uit het magazijn voor u aanpassingen uitvoert.

Waarschuwing! Breng NOOIT op welke manier dan ook smeermiddelen of reinigingsmiddelen in het gereedschap aan. Dit kan een zeer nadelige invloed hebben op de levensduur en de prestaties van het gereedschap.

- ◆ Lees het hoofdstuk Veiligheidsinstructies in deze handleiding.
- ◆ Draag oog- en gehoorbescherming.
- ◆ Controleer dat er geen bevestigingsmateriaal in het magazijn (5) zit.
- ◆ Plaats de contactschakelaar (4) op het werkstuk zodat u kunt controleren dat de contactschakelaar goed en soepel werkt. Gebruik het gereedschap niet als het niet goed werkt. Gebruik NOOIT gereedschap waarbij de contactschakelaar in de actieve stand is vergrendeld.
- ◆ Houd het gereedschap afgewend van uzelf en van andere personen.

Het gereedschap laden (Afb. B)

Waarschuwing! Houd het gereedschap afgewend van uzelf en andere personen. Ernstig persoonlijk letsel zou het gevolg kunnen zijn.

Waarschuwing! Controleer dat de schakelaar in de uit-stand staat voor u de bevestigingsmateriaal in het gereedschap plaatst.

Waarschuwing! Laad nooit bevestigingsmateriaal wanneer de contactschakelaar of de trekker is geactiveerd. Persoonlijk letsel zou het gevolg kunnen zijn.

Universele geschiktheid voor zware-kwaliteit nieten 6mm-14mm, 10,6mm kroonbreedte, en spijkers van 15mm.

- ◆ Knijp de vrijgaveklem (6) van het magazijn in en trek het schuivende magazijn (5) naar buiten.
- ◆ Laad bevestigingsmateriaal. Let erop dat u nieten zo laadt dat de kroon van de niet tegen het binnenste oppervlak van het magazijn rust.

Opmerking: De kop van de spijker moet tegen het linker, binnenste oppervlak van het magazijn rusten. Als de spijkers aan de rechterzijde van het magazijn worden geladen, kunt u het magazijn niet sluiten.

- ◆ Sluit het schuivende magazijn tot de vergrendelklemmen goed op hun plaats vastklikken.

Het gereedschap ontladen

Waarschuwing! Controleer dat de Aan/uit-schakelaar in de uit-stand (0) staat.

- ◆ Knijp de vrijgaveklem (6) van het magazijn in en trek het schuivende magazijn (5) naar buiten.
- ◆ Kantel het gereedschap op z'n zij tot de nieten makkelijk uit de onderzijde van het magazijn schuiven.
- ◆ Controleer dat er geen losse nieten in het magazijn achterblijven.
- ◆ Schuif het schuivende magazijn geheel dicht.

Een vastgelopen niet verwijderen

Als een niet vastloopt in het magazijn, richt gereedschap dan weg van uzelf en volg deze instructies voor het verwijderen van de niet:

Waarschuwing! Controleer dat de schakelaar in de uit-stand staat voor u een vastgelopen niet verwijdert.

- ◆ Knijp de vrijgaveklem (6) van het magazijn in en verwijder alle geladen nieten.
- ◆ Inspecteer de binnenzijde van het magazijn (5) en kijk of er nieten zijn vastgelopen.
- ◆ Verwijder de vastgelopen niet, zo nodig met een tang.
- ◆ Plaats de nieten weer in het magazijn (zie Het gereedschap laden).

Werking

Waarschuwing! Beperk het risico van ernstig persoonlijk letsel, zet het apparaat uit en blijf uit de buurt van de Aan/Uit-schakelaar voor u aanpassingen aanbrengt of hulpstukken of accessoires verwijdert/installeert. Wanneer het apparaat per ongeluk wordt gestart, kan dat leiden tot letsel.

Bediening van de Aan/Uit-schakelaar (Afb. C)

Waarschuwing! Draag altijd goede bescherming voor uw ogen en oren wanneer u met het gereedschap werkt.

Waarschuwing! Houd uw vingers WEG bij de trekker wanneer u geen bevestigingsmateriaal afvuurt zodat u niet per ongeluk het apparaat in werking zet. Draag het gereedschap NOOIT met een vinger op de trekker.

- ◆ Schakel de tacker in door de Aan/uit-schakelaar (2) van "O" to "I" te duwen.
- ◆ Druk de contactschakelaar (4) geheel tegen het werkoppervlak en het groene indicatielampje (3) moet dan gaan branden.
- ◆ Haal de trekker (1) over en er wordt bevestigingsmateriaal in het werkoppervlak gedreven.

Opmerking: Houd de neerwaartse druk op het werkoppervlak aan tot het bevestigingsmateriaal in het werkoppervlak is gedreven.

- ◆ Laat de trekker los.
- ◆ Neem de contactschakelaar van het werkoppervlak.
- ◆ Herhaal deze stappen 1 tot en met 4 voor het aanbrengen van de volgende niet.

Opmerking: Het contactschakelaar moet worden ingedrukt en de Aan/Uit-schakelaar moet volledig worden ingedrukt bij elke niet, daarna moet u de Aan/Uit-schakelaar loslaten en de contactschakelaar van het werkoppervlak halen.

Juiste handpositie (Afb. D)

Waarschuwing! Beperk het risico van ernstig persoonlijk letsel, houd de handen **ALTIJD** in de juiste positie, zoals afgebeeld.

Waarschuwing! Beperk het risico van ernstig persoonlijk letsel, blijf het apparaat **ALTIJD** stevig vasthouden, zodat u bent voorbereid op een plotselinge terugslag.

Voor de juiste handpositie zet u één hand op de hoofdhandgreep.

Onderhoud

Dit BLACK+DECKER-apparaat is ontworpen om gedurende een lange periode te functioneren met een minimum aan onderhoud. Of het gereedschap voortdurend naar tevredenheid zal functioneren hangt af van de juiste zorg en regelmatige reiniging.

- ◆ Reinig het apparaat regelmatig met een vochtige doek. Gebruik niet een schurend schoonmaakmiddel of een schoonmaakmiddel op basis van een oplosmiddel. Voorkom dat vloeistof het apparaat binnendringt en dompel nooit enig onderdeel van het apparaat in vloeistof onder.

Accessoires

Waarschuwing! Aangezien accessoires die niet door BLACK+DECKER worden aangeboden niet met dit product zijn getest, kan het gebruik van dergelijke accessoires met dit gereedschap gevaarlijk zijn. Om het risico op letsel te verminderen dient u uitsluitend door BLACK+DECKER aanbevolen accessoires met dit product te gebruiken. Aanbevolen accessoires bij uw gereedschap zijn tegen betaling verkrijgbaar bij uw dealer ter plaatse of bij het officiële servicecentrum.

- ◆ TRA704T – 6mm Flat Wire-niet 10,6x 1,26mm
- ◆ TRA705T – 8 mm Flat Wire-niet 10,6x 1,26mm
- ◆ TRA706T – 10mm Flat Wire-niet 10,6x 1,26mm
- ◆ TRA708T – 12mm Flat Wire-niet 10,6x 1,26mm
- ◆ TRA709T – 14mm Flat Wire-niet 10,6x 1,26mm
- ◆ SWK-BN0625T – 15mm/5/8"1/8ga spijkers type J

Het milieu beschermen



Gescheiden afvalinzameling. Producten en accu's waarop dit symbool is aangebracht, mogen niet bij het normale huishoudafval worden weggegooid.

Producten en accu's bevatten materialen die kunnen worden teruggewonnen of gerecycled en dat doet de vraag naar grondstoffen afnemen.

Recycle elektrische producten en accu's volgens de ter plaatse geldende bepalingen.

Nadere informatie is beschikbaar op www.2helpU.com

Technische gegevens

		BCN115
Spanning	V _{DC}	3,6
Grootte van nieten	mm	6 - 14
Afmeting spijker	mm	15
Gewicht	kg	0,9

Geluidsrukniveau, volgens EN 660745:	
Emissie geluidsrukniveau: (L _{PAJ}):	77 dB(A); K=3 dB(A);
Gemeten geluidsvermogeniveau: (L _{WAJ}):	88 dB(A); K=3 dB(A);

Totale trillingswaarden (som triaxvector) volgens EN 60745:	
Trillingsniveau: (ah):	5,7 m/s ² ; K=1,5 m/s ²

EG Conformiteitsverklaring

RICHTLIJN VOOR MACHINES



BCN115 Tacker voor toepassing op het gebied van

handvaardigheid

Black & Decker verklaart hierbij dat de producten die worden beschreven onder "technische gegevens" voldoen aan: 2006/42/EC, EN60745-1:2009,

A11:2010+EN60745-2-16:2010, Deze producten voldoen ook aan richtlijnen 2014/30/EU en 2011/65/EU..

Neem voor meer informatie contact op met Black & Decker op het volgende adres of raadpleeg de achterzijde van de handleiding.

Ondergetekende is verantwoordelijk voor de samenstelling van het technische bestand en legt deze verklaring af namens Black & Decker.

Patrick Diepenbach

Patrick Diepenbach
General Manager, Benelux
Black and Decker,
Egide Walschaertsstraat 14-18
2800 Mechelen, België
15-12-2021

Garantie

Black & Decker heeft vertrouwen in zijn producten en biedt consumenten een garantie van 24 maanden vanaf de aankoopdatum. Deze garantie vormt een aanvulling op uw wettelijke rechten en beperken deze niet.

De garantie is geldig op het grondgebied van de Lidstaten van de Europese Unie en de Europese Vrijhandelszone.

Voor een garantie-aanspraak moet uw aanspraak in overeenstemming zijn met de Voorwaarden en Condities van Black&Decker en moet u een bewijs van aankoop overleggen aan de verkoper of aan een geautoriseerde reparatiemonteur. Voorwaarden en condities van de 2-jarige garantie van Black&Decker en het adres van de vestiging van het geautoriseerde reparatiecentrum bij u in de buurt, kunt u vinden op internet op www.2helpU.com, of door contact op te nemen met het Black & Decker-kantoor ter plaatse, op het adres dat in deze handleiding wordt vermeld. Bezoek onze website www.blackanddecker.nl, waar u uw nieuwe BLACK+DECKER-product kunt registreren en informatie kunt verkrijgen over nieuwe producten en speciale aanbiedingen.

Usó previsto

La grapadora sin cable BCN115 de BLACK+DECKER™ ha sido diseñada para manualidades. Este producto está pensado únicamente para uso doméstico. No es apta para la fijación de cables de corriente.

Instrucciones de seguridad

Advertencias de seguridad para herramientas eléctricas en general



¡Advertencia! Lea todas las advertencias de seguridad, instrucciones, ilustraciones y especificaciones suministradas con esta herramienta eléctrica. En caso de no atenerse a las siguientes advertencias e instrucciones de seguridad, podría producirse una descarga eléctrica, incendio o lesión grave.

Guarde todas las advertencias e instrucciones para futuras consultas. El término "herramienta eléctrica" empleado en las advertencias a continuación hace referencia a la herramienta eléctrica con alimentación de red (con cable) o alimentada por batería (sin cable).

- 1. Seguridad del área de trabajo**
 - a. Mantenga limpia y bien iluminada el área de trabajo.** Las áreas en desorden u oscuras pueden provocar accidentes.
 - b. No utilice herramientas eléctricas en entornos con peligro de explosión, como aquellos en los que haya líquidos, gases o polvos inflamables.** Las herramientas eléctricas originan chispas que pueden inflamar el polvo o los gases.

- c. **Mantenga alejados a los niños y otras personas del área de trabajo al emplear la herramienta eléctrica.** Las distracciones pueden causar la pérdida del control de la herramienta.
- 2. Seguridad eléctrica**
- a. **El enchufe de la herramienta eléctrica debe corresponder a la toma de corriente. No modifique nunca el enchufe de ninguna forma.** No utilice ningún enchufe adaptador con las herramientas eléctricas conectadas a tierra (puestas a masa). Los enchufes no modificados y las tomas de corriente compatibles reducen el riesgo de descarga eléctrica.
 - b. **Evite que su cuerpo toque partes conectadas o puestas a tierra tales como tuberías, radiadores, cocinas y refrigeradores.** Existe un mayor riesgo de descarga eléctrica si su propio cuerpo está conectado a tierra.
 - c. **No exponga las herramientas eléctricas a la lluvia y a la humedad.** Si entra agua en una herramienta eléctrica, aumenta el riesgo de descarga eléctrica.
 - d. **Cuide el cable de alimentación. No use nunca el cable para transportar, tirar de la herramienta eléctrica o desenchufarla. Mantenga el cable alejado del calor, aceite, bordes afilados y piezas en movimiento.** Los cables dañados o enredados aumentan el riesgo de descarga eléctrica.
 - e. **Al trabajar con la herramienta eléctrica en la intemperie utilice solamente cables de prolongación homologados para su uso en exteriores.** La utilización de un cable adecuado para el uso en exteriores reduce el riesgo de descarga eléctrica.
 - f. **Si la utilización de una herramienta eléctrica en un lugar húmedo es inevitable, utilice una fuente protegida con un dispositivo diferencial residual (DDR).** El uso de un DDR reduce el riesgo de descarga eléctrica.
- 3. Seguridad personal**
- a. **Esté atento a lo que hace y emplee la herramienta eléctrica con prudencia.** No maneje una herramienta eléctrica cuando esté cansado o bajo los efectos de drogas, medicamentos o alcohol. Un momento de falta de atención cuando se manejan las herramientas eléctricas puede ocasionar lesiones personales graves.
 - b. **Utilice un equipo de protección personal. Utilice siempre protección ocular.** El uso de equipo de protección como mascarillas antipolvo, calzado antideslizante, casco o protección auditiva en las condiciones apropiadas reduce la posibilidad de lesiones personales.
 - c. **Impida que la herramienta se ponga en marcha involuntariamente. Asegúrese de que el interruptor se encuentre en la posición de apagado antes de conectar la herramienta a la fuente de alimentación o a la batería, o de coger o transportar la herramienta.** Transportar herramientas eléctricas con el dedo puesto en el interruptor o herramientas eléctricas activadoras que tengan el interruptor encendido puede provocar accidentes.
 - d. **Retire las herramientas de ajuste o llaves fijas antes de encender la herramienta eléctrica.** Dejar una llave inglesa u otra llave puesta en una pieza en movimiento de la herramienta eléctrica puede ocasionar lesiones personales.
 - e. **Sea precavido. Mantenga un equilibrio adecuado y la estabilidad constantemente.** Esto permite un mejor control de la herramienta eléctrica en situaciones inesperadas.
 - f. **Lleve puesta una vestimenta de trabajo adecuada. No se ponga ropa suelta o joyas. Mantenga el cabello y la ropa alejados de las piezas en movimiento.** La ropa suelta, las joyas y el pelo largo pueden quedar atrapados en las piezas en movimiento.
 - g. **Siempre que sea posible utilizar unos equipos de aspiración o captación de polvo, asegúrese de que estén montados y de se utilicen correctamente.** El uso de equipo de recogida de polvo puede reducir los riesgos relacionados con el polvo.
 - h. **Evite que la familiaridad adquirida con el uso frecuente de las herramientas le haga confiarse demasiado e ignorar las normas de seguridad de las herramientas.** Un descuido puede causar lesiones graves en una fracción de segundo.
- 4. Uso y cuidado de herramientas eléctricas**
- a. **No sobrecargue la herramienta eléctrica. Use la herramienta eléctrica correcta para su trabajo.** La herramienta eléctrica correcta funcionará mejor y con mayor seguridad si se utiliza de acuerdo con sus características técnicas.
 - b. **No utilice la herramienta eléctrica si no se puede encender y apagar con el interruptor.** Toda herramienta eléctrica que no pueda controlarse con el interruptor es peligrosa y debe ser reparada.
 - c. **Desconecte el enchufe de la fuente de alimentación y/o saque la batería de la herramienta, si es extraíble, antes de realizar cualquier ajuste, cambiar accesorios o guardar las herramientas eléctricas.** Dichas medidas de seguridad preventivas reducen el riesgo de poner en marcha accidentalmente la herramienta eléctrica.

- d. **Guarde las herramientas eléctricas fuera del alcance de los niños y no permita que la utilicen las personas no familiarizadas con su uso o con estas instrucciones.**

Las herramientas eléctricas son peligrosas en manos de personas no capacitadas.

- e. **Realice el mantenimiento de sus herramientas eléctricas y accesorios. Compruebe que las piezas móviles no estén desalineadas ni atascadas, que no haya piezas rotas y cualquier otra condición que pudiera afectar al funcionamiento de la herramienta eléctrica. Si la herramienta eléctrica está dañada, llévela para que sea reparada antes de utilizarla.** Se ocasionan muchos accidentes por el mal mantenimiento de las herramientas eléctricas.
- f. **Mantenga las herramientas de corte limpias y afiladas.** Hay menos probabilidad de que las herramientas de cortar con bordes afilados se bloqueen, y son más fáciles de controlar.
- g. **Utilice la herramienta eléctrica, los accesorios, los útiles de la herramienta, etc. de acuerdo con estas instrucciones, y tenga en cuenta las condiciones de trabajo y la tarea que va a realizar.**
El uso de la herramienta eléctrica para operaciones que no sean las previstas puede ocasionar una situación peligrosa.
- h. **Mantenga las empuñaduras y superficies de agarre secas, limpias y libres de aceite y grasa.** Las empuñaduras resbaladizas y las superficies engrasadas impiden aferrar y controlar la herramienta en situaciones imprevistas.

5. **Uso y cuidado de la herramienta de batería**

- a. **Recárguela solo con el cargador especificado por el fabricante.** Un cargador adecuado para un tipo de batería puede provocar riesgos de incendios al ser utilizado con otra batería.
- b. **Utilice las herramientas eléctricas solamente con las baterías recomendadas.** El uso de otras baterías puede suponer un riesgo de incendio y lesiones.
- c. **Cuando no utilice la batería, manténgala alejada de objetos de metal como clips para papel, monedas, llaves, clavos, tornillos y otros pequeños objetos metálicos que pueden realizar una conexión de un terminal a otro.** Si se produce un cortocircuito entre los terminales de la batería, pueden ocasionarse incendios o quemaduras.
- d. **En caso de uso abusivo puede salir líquido de la batería, evite el contacto. Si se produce un contacto accidental, lave con agua. Si el líquido se pone en contacto con los ojos, acuda además a un médico.** El líquido expulsado de la batería podrá provocar irritaciones o quemaduras.

- e. **No use una batería ni herramienta que están dañadas o han sido modificadas.** Las baterías dañadas o modificadas pueden tener un comportamiento imprevisible y causar incendios, explosiones o riesgos de lesiones.
- f. **No exponga la batería o la herramienta al fuego o a una temperatura excesiva.** La exposición al fuego o a una temperatura superior a 130 °C puede causar una explosión. NOTA: La temperatura "130 °C" puede sustituirse por la temperatura "265 °F".
- g. **Siga todas las instrucciones de carga y no cargue la batería o la herramienta fuera del intervalo de temperatura especificado en las instrucciones.** La carga inadecuada o a temperaturas fuera del intervalo especificado puede dañar la batería y aumentar el riesgo de incendio.
6. **Reparaciones**
- a. **Haga reparar esta herramienta eléctrica solo por personal técnico autorizado que emplee exclusivamente piezas de repuesto originales.** Así se asegurará que se mantenga la seguridad de la herramienta eléctrica.
- b. **Nunca repare la batería si está dañada.** La reparación de la batería debe ser efectuada únicamente por el fabricante o los proveedores de servicio autorizados.

Instrucciones de seguridad adicionales para grapadoras sin cable

- ◆ **Utilice siempre gafas de seguridad.**
- ◆ **Utilice siempre protección auditiva.**
- ◆ **Use solo las fijaciones especificadas en el manual.**
- ◆ **No monte la herramienta sobre ningún tipo de soporte.**
- ◆ **No desmonte ni bloquee ninguna pieza de la herramienta clavadora de fijaciones, como por ejemplo el activador de contacto.**
- ◆ **Antes de cada operación, compruebe que el mecanismo de seguridad y de disparo funcionen correctamente y que todas las tuercas y los bulones estén apretados.**
- ◆ **No utilice la herramienta como martillo.**
- ◆ **No utilice el aparato estando en una escalera.**
- ◆ **Nunca dirija ninguna herramienta clavadora de fijaciones hacia usted mismo ni hacia ninguna otra persona.**
- ◆ **Cuando esté trabajando, sostenga la herramienta para impedir que se produzcan lesiones en la cabeza o el cuerpo en caso de un retroceso debido a una disrupción en el suministro de energía o a partes duras de la pieza de trabajo.**
- ◆ **Nunca haga funcionar la herramienta clavadora de fijaciones en un espacio libre.**

- ◆ **En la zona de trabajo, lleve la herramienta al lugar de trabajo usando solo una mano, y nunca con el gatillo activado.**
- ◆ **Considere las condiciones de la zona de trabajo. Las fijaciones pueden atravesar piezas de trabajo finas o salirse por las esquinas y bordes de la pieza de trabajo, poniendo a riesgo a las personas.**
- ◆ **No clave las fijaciones cerca del borde de la pieza de trabajo.**
- ◆ **No clave las fijaciones encima de otras fijaciones.**
- ◆ **Manipule siempre la herramienta como si estuviera cargada con fijaciones.**
La manipulación descuidada de la clavadora puede dar lugar a una descarga de fijaciones y a lesiones personales.
- ◆ **No apunte la herramienta hacia usted ni hacia las personas que se encuentren cerca.** La activación imprevista hará que se dispare la fijación causando lesiones personales.
- ◆ **No accione la herramienta hasta que no esté firmemente colocada contra la pieza de trabajo.** Si la herramienta no está en contacto con la pieza de trabajo, la fijación puede desviarse del objetivo.
- ◆ **Si la fijación se atasca en la herramienta, desconecte la herramienta de la fuente de alimentación.** Mientras saca una fijación atascada, la clavadora puede activarse de forma accidental si está conectada.
- ◆ **No utilice esta grapadora para fijar cables eléctricos.** No está diseñada para instalar cables eléctricos y podría dañar el aislamiento de dichos cables. Esto puede provocar descargas eléctricas y riesgos de incendio.

Etiquetas del aparato

Los siguientes símbolos están colocados, junto con el código de fecha, en el aparato:



¡Advertencia! Para reducir el riesgo de lesiones, el usuario debe leer el manual de instrucciones.

Vibración

El nivel de emisión de vibraciones y/o ruido que figura en esta hoja de información ha sido medido de conformidad con una prueba normalizada prevista en la norma EN60745 y puede utilizarse para comparar herramientas entre sí. Puede usarse para una evaluación preliminar de exposición.

ADVERTENCIA: El nivel de emisión de vibraciones y/o ruido declarado representa las principales aplicaciones de la herramienta. Sin embargo, si se utiliza la herramienta para distintas aplicaciones, con accesorios diferentes o mal mantenidos, la emisión de vibraciones y/o ruido puede variar.

Esto puede aumentar considerablemente el nivel de exposición durante el período total de trabajo.

Una valoración del nivel de exposición a las vibraciones y/o ruido también debería tener en cuenta las veces en que la herramienta está apagada o en funcionamiento pero sin realizar ningún trabajo.

Instrucciones de seguridad importantes para todas las herramientas de batería integral

¡Advertencia! Lea todas las advertencias de seguridad, instrucciones y marcas de precaución de la batería, el cargador y el producto. El incumplimiento de las advertencias e instrucciones podría provocar una descarga eléctrica, un incendio y/o lesiones graves.

- ◆ Nunca fuerce el enchufe del cargador en la herramienta.
- ◆ NO modifique el enchufe del cargador de un cargador no compatible de ningún modo para que encaje en la herramienta pues la batería puede romperse y causar lesiones personales graves.
- ◆ NO cargue ni utilice la batería en atmósferas explosivas, como, por ejemplo, en presencia de líquidos, gases o polvos inflamables.
Al colocar o retirar el enchufe de cargador de la herramienta pueden incendiarse el polvo o los humos.
- ◆ Cargue la batería solo con el cable de carga suministrado y una fuente de alimentación de clase 2 adecuada.
- ◆ NO salpicar ni sumergir en agua ni en otros líquidos.
- ◆ NO deje que entre agua o cualquier otro líquido en la herramienta.
- ◆ NO guarde ni utilice la herramienta en lugares en los que la temperatura pueda alcanzar o superar los 40 °C (104 °F) (como, por ejemplo, cobertizos de exterior o instalaciones metálicas en verano). Para prolongar la vida útil de las herramientas, guárdelas en un lugar fresco y seco.
- ◆ No guarde la herramienta con el interruptor bloqueado. Nunca trabe con cinta el interruptor en la posición de encendido.
- ◆ NO incinere la herramienta aunque esté muy dañada o completamente desgastada. La batería podría explotar con el fuego. Si las baterías de iones de litio se queman, emiten humos y materiales tóxicos.
- ◆ Si el contenido de la batería entra en contacto con la piel, lave inmediatamente la zona con jabón neutro y agua. Si el líquido de la batería le entra en los ojos, enjuáguese con agua manteniendo los ojos abiertos durante 15 minutos o hasta que cese la irritación. Si necesita atención médica, el electrolito de la batería está compuesto por una mezcla de sales de litio y carbonos orgánicos líquidos.

- ◆ Si se abre la batería, el contenido puede causar irritación respiratoria. Respire aire fresco. Si los síntomas persisten, consulte un médico.
- ◆ El líquido de la batería puede ser inflamable si se expone a chispas o llamas.
- ◆ Nunca intente abrir la herramienta por ningún motivo. Si la carcasa de la herramienta está rota o dañada, no recargue la herramienta. No golpee, arroje ni dañe la herramienta.
No utilice una herramienta ni un cargador que haya recibido un golpe fuerte, se haya caído o se haya dañado de algún modo (p. ej., perforado con un clavo, golpeado con un martillo o pisado). Las herramientas dañadas deben llevarse al centro de servicio para su reciclado.

- ◆ Desenchufe siempre el cable de carga de la fuente de alimentación cuando no tenga ninguna herramienta conectada.

Características

Este aparato incluye una o más de las siguientes características:

1. Gatillo
2. Interruptor de alimentación
3. LED indicador de carga/listo para el uso
4. Activador de contacto
5. Cargador
6. Pestillo de liberación del cargador
7. Ventana de visualización de la grapadora
8. Puerto de carga
9. Cable de carga

Montaje

¡Advertencia! Para reducir el riesgo de lesiones personales graves, apague la unidad y manténgase alejado del botón de encendido y apagado antes de realizar cualquier ajuste o de poner o quitar acoplamientos o accesorios. El encendido accidental puede causar lesiones.

Procedimiento de carga (Fig. A)

¡Advertencia! No utilice la herramienta mientras esté conectada al cargador.

- ◆ Introduzca el enchufe de carga (9) en el puerto de carga (8).
- ◆ Enchufe el enchufe de carga en cualquier puerto de carga (como el de un ordenador).
- ◆ El LED indicador de carga (3) parpadeará en rojo durante la carga.
- ◆ El LED indicador de carga se pondrá fijo en verde cuando se haya completado la carga.
- ◆ La batería puede dejarse cargando o bien se puede desconectar el cargador.

Notas importantes para la carga

- ◆ El cargador y la herramienta pueden calentarse demasiado al tacto durante la carga. Esto es normal y no indica ningún problema. Para facilitar el enfriamiento de la herramienta después del uso, evite colocar el cargador o la herramienta en un ambiente cálido, como un cobertizo metálico o un remolque sin aislamiento.
- ◆ Si la herramienta no se carga correctamente, lleve la herramienta y el cargador a su centro de servicio local.
- ◆ También puede cargar una batería parcialmente cargada si lo desea, sin ningún efecto adverso para la herramienta.

Recomendaciones de almacenamiento

El mejor lugar de almacenamiento es un lugar fresco y seco, alejado de la luz directa del sol y del frío y el calor excesivos. Guarde la herramienta totalmente cargada y desconectada del cargador.

Transporte

Nota: Las herramientas con baterías de iones de litio integrales no deben ponerse en el equipaje facturado de los aviones, y deben estar debidamente protegidas de los cortocircuitos si se llevan en el equipaje de mano.

Instrucciones de seguridad importantes para la carga de todas las baterías integrales

¡Advertencia! Lea todas las advertencias de seguridad, instrucciones y marcas de precaución de la batería, el cable de carga y el producto. El incumplimiento de las advertencias e instrucciones podría provocar una descarga eléctrica, un incendio y/o lesiones graves.

- ◆ Use solamente con el equipo de tecnología de la información (ordenador) indicado/certificado.
- ◆ NO exponga el cable de carga al agua, lluvia o nieve.
- ◆ Tire de los enchufes y no del cable para desenchufar el cable de carga. Esto reduce el riesgo de daños al enchufe o al cable.
- ◆ Compruebe que el cable esté ubicado en modo de no pisarlo o tropezar con él o que no cause ningún otro daño o tensión.
- ◆ Cuando cargue la herramienta en un lugar exterior, este debe estar siempre seco.
- ◆ No utilice un cable de carga que esté dañado o tenga el enchufe dañado. Hágalo cambiar inmediatamente.
- ◆ Los materiales extraños que sean conductores, como, por ejemplo, el polvo de amolado, las astillas metálicas, la lana de acero, el papel de aluminio o cualquier otra acumulación de partículas metálicas, deben mantenerse alejados de los enchufes y puertos de carga y microcarga.

Ensamblaje y ajustes

¡Advertencia! Para reducir el riesgo de lesiones personales graves, apague la unidad y mantenga los dedos alejados del gatillo antes de realizar cualquier ajuste o de poner o quitar acoplamientos o accesorios. El encendido accidental puede causar lesiones.

Preparar la herramienta

¡Advertencia! Mantenga la herramienta apuntando en sentido contrario a usted y a otras personas. Pueden producirse lesiones personales graves.

¡Advertencia! Para reducir el riesgo de lesiones personales graves, compruebe que el interruptor de encendido esté en la posición de apagado y mantenga las manos alejadas del gatillo, y retire las grapas y las puntas del cargador antes de realizar ajustes.

¡Advertencia! NUNCA pulverice ni aplique otros lubricantes o disolventes de limpieza dentro de la herramienta. Esto puede afectar seriamente a la duración y a los resultados de la herramienta.

- ◆ Lea la sección de instrucciones de seguridad de este manual.
- ◆ Use protección ocular y auditiva.
- ◆ Compruebe que el cargador 5 no contenga ninguna fijación.
- ◆ Coloque el activador de contacto 4 sobre la superficie de trabajo para comprobar el funcionamiento regular y correcto del activador de contacto. No utilice la herramienta si no funciona correctamente. NUNCA use una herramienta que tenga el activador de contacto trabado en la posición de activado.
- ◆ Mantenga la herramienta apuntada en sentido contrario a usted y a otras personas.

Carga de la herramienta (Fig. B)

¡Advertencia! Mantenga la herramienta apuntando en sentido contrario a usted y a otras personas. Pueden producirse lesiones personales graves.

¡Advertencia! Compruebe que el interruptor esté en la posición de apagado antes de cargar y descargar la herramienta.

¡Advertencia! Nunca cargue grapas/puntas con el activador de contacto o el gatillo activados. Pueden producirse lesiones personales.

Compatibilidad universal con grapas de alta resistencia de 6mm-14mm y de corona ancha de 10.6 mm, y puntas de 15 mm.

- ◆ Apriete el pestillo de liberación del cargador (6) y saque el cargador deslizante (5).
- ◆ Cargue las fijaciones. Compruebe que los grapas estén cargadas con la corona apoyada contra la superficie interna del cargador.

Nota: Dentro de la superficie del cargador, la cabeza de la punta debe quedar a la izquierda. Si se cargan a la derecha, el cargador no se cerrará.

- ◆ Cierre el cargador deslizante hasta que el pestillo del cargador encaje perfectamente en su sitio.

Descargar la herramienta

¡Advertencia! Compruebe que el interruptor de alimentación (0) esté en posición de apagado.

- ◆ Apriete el pestillo de liberación del cargador (6) y saque el cargador deslizante (5).
- ◆ Incline lateralmente la herramienta para que las grapas se deslicen libremente hacia fuera desde el fondo del cargador.
- ◆ Compruebe que no hayan quedado grapas sueltas en el interior del cargador.
- ◆ Cierre completamente el cargador deslizante.

Eliminación de una grapa atascada

Si se atasca una grapa en el cargador, mantenga la herramienta en sentido contrario a usted y siga estas instrucciones para liberarla:

- ¡Advertencia!** Compruebe que el interruptor esté en la posición de apagado antes de eliminar una grapa atascada
- ◆ Apriete el pestillo de liberación del cargador (6) y extraiga las grapas cargadas.
 - ◆ Mire bien que dentro del cargador (5) no haya grapas atascadas.
 - ◆ Extraiga la grapa doblada utilizando un alicate si es necesario.
 - ◆ Vuelva a colocar las grapas en el cargador (consulte Carga de la herramienta).

Funcionamiento

¡Advertencia! Para reducir el riesgo de lesiones personales graves, apague la unidad y mantenga los dedos alejados del gatillo antes de realizar cualquier ajuste o de poner o quitar acoplamientos o accesorios. El encendido accidental puede causar lesiones.

Funcionamiento del gatillo (Fig. C)

¡Advertencia! Lleve siempre protección ocular y auditiva cuando utilice la herramienta.

¡Advertencia! Mantenga los dedos ALEJADOS del gatillo cuando no esté clavando fijaciones, para evitar disparos accidentales. NUNCA lleve la herramienta con el dedo puesto en el gatillo.

- ◆ Empuje el interruptor de encendido (2) de "O" a "I" para encender la grapadora.
- ◆ Apriete completamente el activador de contacto (4) contra la superficie de trabajo, se encenderá el indicador verde (3).
- ◆ Apriete el gatillo (1) para clavar la fijación en la superficie de trabajo.

Nota: Mantenga la presión hacia abajo sobre la superficie de trabajo hasta que la fijación se clave en la superficie de trabajo.

- ◆ Suelte el gatillo.
- ◆ Levante el activador de contacto de la superficie de trabajo.
- ◆ Repita los pasos 1 a 4 en la próxima aplicación.

Nota: Hay que apretar el activador de contacto y después apretar a fondo el gatillo para cada fijación, y soltarlos después de clavar cada fijación.

Posición correcta de las manos (Fig. D)

¡Advertencia! Para reducir el riesgo de lesiones personales graves, mantenga **SIEMPRE** las manos en una posición adecuada, como la que se muestra.

¡Advertencia! Para reducir el riesgo de lesión personal grave, sujete **SIEMPRE** bien la unidad anticipándose a una reacción improvisa.

La posición correcta de las manos es con una mano apoyada en la empuñadura principal.

Mantenimiento

Su aparato BLACK+DECKER ha sido diseñado para funcionar durante un largo período de tiempo con un mantenimiento mínimo. Que siga funcionando satisfactoriamente depende del buen cuidado de la herramienta y de su limpieza periódica.

- ◆ Limpie periódicamente el aparato con un paño húmedo. No utilice limpiadores abrasivos o a base de disolventes. Evite que penetre líquido en el interior del aparato y nunca sumerja ninguna pieza de este en ningún tipo de líquido.

Accesorios

¡Advertencia! Dado que los accesorios que no sean los suministrados por BLACK+DECKER no han sido sometidos a pruebas con este producto, el uso de tales accesorios con esta herramienta podría ser peligroso. Para disminuir el riesgo de lesiones, con este producto se deben usar exclusivamente los accesorios recomendados por BLACK+DECKER.

En su distribuidor local o centro de servicio autorizado, puede adquirir los accesorios recomendados para utilizarlos con su herramienta.

- ◆ TRA704T – 6 mm Grapa de alambre plana 10.6x 1.26 mm
- ◆ TRA705T – 8 mm Grapa de alambre plana 10.6x 1.26 mm
- ◆ TRA706T – 10 mm Grapa de alambre plana 10.6x 1.26 mm
- ◆ TRA708T – 12 mm Grapa de alambre plana 10.6x 1.26 mm
- ◆ TRA709T – 14 mm Grapa de alambre plana 10.6x 1.26 mm
- ◆ SWK-BN0625T – puntas tipo J 15 mm/5/8"/18 ga

Protección del medioambiente



Recogida selectiva. Los productos y las baterías marcadas con este símbolo no se deben eliminar con los residuos domésticos normales.

Los productos y las baterías que contienen materiales que se puedan recuperar o reciclar reducen la demanda de materias primas.

Recicle los productos eléctricos y las baterías de conformidad con la normativa local.

Puede obtener más información en www.2helpU.com

Datos técnicos

		BCN115
Tensión	V_{CC}	3,6
Tamaño de la grapa	mm	6 - 14
Tamaño punta	mm	15
Peso	kg	0,9

Nivel de presión acústica de acuerdo con la norma EN 60745:

Nivel de presión acústica de emisión: (L_{PA}): 77 dB(A); K=3 dB(A);

Nivel de potencia acústica medida: (L_{WA}): 88 dB(A); K=3 dB(A);

Valores totales de vibración (suma vectorial triaxial) de acuerdo con la directiva EN 60745:

Nivel de vibración: (ah): 5,7 m/s²; K=1,5 m/s²

Declaración de conformidad CE

DIRECTIVA DE MÁQUINAS



Grapadora para manualidades BCN115

Black & Decker declara que los productos descritos en «Datos técnicos» cumplen las siguientes normas:

2006/42/CE, EN60745-1:2009+A11:2010 and EN60745-2-16:2010, Estos productos también cumplen las Directivas 2014/30/UE y 2011/65/UE.

Para más información, póngase en contacto con Black & Decker en la siguiente dirección o consulte la parte posterior del manual.

El que suscribe es responsable de la compilación del archivo técnico y realiza esta declaración en nombre de Black & Decker.

Patrick Diepenbach

Patrick Diepenbach
Director General, Benelux
Black and Decker,

Egide Walschaertsstraat 14-18
2800 Mechelen, Bélgica

15/12/2021

Garantía

Black & Decker confía en la calidad de sus productos y ofrece a los consumidores una garantía de 24 meses a partir de la fecha de compra. Esta garantía es adicional a sus derechos legales y no los menoscaba en modo alguno. La garantía es válida dentro de los territorios de los Estados Miembros de la Unión Europea y del Área de Libre Comercio Europea.

Para reclamar la garantía, la reclamación se debe presentar de conformidad con las condiciones de Black & Decker. Tendrá que adjuntar un justificante de compra al vendedor o al agente técnico autorizado.

Puede consultar las condiciones de la garantía de 2 años de Black & Decker y la ubicación de su agente técnico autorizado más próximo en el sitio www.2helpU.com o poniéndose en contacto con su oficina local de Black & Decker en la dirección que se indica en este manual.

Visite nuestro sitio web www.blackanddecker.co.uk para registrar su nuevo producto BLACK+DECKER y recibir noticias sobre nuevos productos y ofertas especiales.

PORTUGUÊS

(Tradução das instruções originais)

Utilização prevista

A agrafadora sem fio BLACK+DECKER™ BCN115 foi concebida para trabalhos manuais. Este produto destina-se apenas a utilização doméstica do consumidor. Não adequada para fixar cabos eléctricos.

Instruções de segurança

Avisos de segurança gerais sobre ferramentas eléctricas



Atenção! Leia todos os avisos de segurança, instruções, ilustrações e especificações fornecidas com esta ferramenta eléctrica. O não cumprimento dos seguintes avisos e instruções pode resultar em choque eléctrico, incêndio e/ou ferimentos graves.

Guarde todos os avisos e instruções para futura referência. O termo "ferramenta eléctrica" utilizado a seguir refere-se a ferramentas eléctricas com ligação à corrente eléctrica (com fio) ou com bateria (sem fio).

1. Segurança na área de trabalho

- a. **Mantenha a área de trabalho limpa e bem iluminada.** As áreas desorganizadas ou escuras são propensas a acidentes.
- b. **Não trabalhe com ferramentas eléctricas em áreas com risco de explosão, nas quais se encontrem líquidos, gases ou poeiras inflamáveis.**

As ferramentas eléctricas criam faíscas que podem inflamar estas poeiras ou vapores.

- c. **Mantenha crianças e outras pessoas afastadas durante a utilização da ferramenta eléctrica.** As distrações podem levar à perda do controlo da ferramenta.
- #### 2. Segurança eléctrica
- a. **As fichas da ferramenta eléctrica devem encaixar na tomada. Nunca modifique a ficha de forma alguma. Não utilize fichas adaptadoras com ferramentas eléctricas ligadas à terra.** As fichas não modificadas e as tomadas compatíveis reduzem o risco de choque eléctrico.
 - b. **Evite que o corpo entre em contacto com superfícies ligadas à terra, como tubos, radiadores, fogões e frigoríficos.** Se o seu corpo estiver "ligado" à terra, o risco de choque eléctrico é maior.
 - c. **As ferramentas eléctricas não podem ser expostas a chuva ou a humidade.** A entrada de água numa ferramenta eléctrica aumenta o risco de choque eléctrico.
 - d. **Manuseie o cabo com cuidado. Nunca o utilize para transportar, puxar ou desligar a ferramenta eléctrica. Mantenha o cabo afastado de fontes de calor, substâncias oleosas, arestas afiadas ou peças móveis.** Os cabos danificados ou emaranhados aumentam o risco de choque eléctrico.
 - e. **Quando trabalhar com uma ferramenta eléctrica ao ar livre, utilize uma extensão adequada para esse fim.** A utilização de um cabo adequado para uso ao ar livre reduz o risco de choque eléctrico.
 - f. **Se for inevitável trabalhar com uma ferramenta eléctrica num local húmido, utilize um dispositivo de corrente residual (DCR).** A utilização de um DDR reduz o risco de choque eléctrico.
- #### 3. Segurança pessoal
- a. **Mantenha-se atento, observe o que está a fazer e seja prudente quando trabalhar com a ferramenta eléctrica.** Não utilize uma ferramenta eléctrica quando estiver cansado ou sob o efeito de drogas, álcool ou medicamentos. Um momento de distração durante a utilização de ferramentas eléctricas pode resultar em ferimentos graves.
 - b. **Utilize equipamento de protecção individual. Use sempre protecção ocular.** O equipamento de protecção, como, por exemplo, uma máscara contra o pó, sapatos de segurança antiderrapantes, um capacete de segurança ou uma protecção auditiva, usado nas condições apropriadas, reduz o risco de ferimentos.

- c. **Evite arranques involuntários. Assegure-se de que o gatilho está desligado antes de ligar a ferramenta à corrente eléctrica e/ou as baterias e antes de levantar ou transportar a ferramenta.** Se mantiver o dedo carregado no gatilho quando transportar ferramentas eléctricas ou se ligá-las à fonte de alimentação com o gatilho ligado, isso pode dar origem a acidentes.
 - d. **Retire eventuais chaves de ajuste ou chaves de fendas antes de ligar a ferramenta eléctrica.** Uma chave de fenda ou de ajuste fixada numa peça rotativa da ferramenta eléctrica pode causar ferimentos.
 - e. **Não tente chegar a pontos fora do alcance. Mantenha sempre os pés bem apoiados e um equilíbrio adequado.** Desta forma, será mais fácil controlar a ferramenta eléctrica em situações inesperadas.
 - f. **Use vestuário adequado. Não use roupa larga ou jóias. Mantenha o cabelo e a roupa afastados das peças móveis.** As roupas largas, as jóias ou o cabelo comprido podem ficar presos nestas peças.
 - g. **Se for prevista a montagem de dispositivos de extracção e recolha de poeiras, assegure-se de que estão ligados e que são utilizados de forma correcta.** A utilização de dispositivos de extracção de poeiras pode reduzir os riscos inerentes.
 - h. **Não permita que o facto de estar familiarizado com a utilização frequente das ferramentas o torne complacente e ignore os princípios de segurança da ferramenta.** Uma acção irreflectida pode causar ferimentos numa fracção de segundo.
4. **Utilização e manutenção da ferramenta eléctrica**
- a. **Não sobrecarregue a ferramenta eléctrica. Utilize a ferramenta eléctrica correcta para o seu trabalho.** A ferramenta eléctrica adequada efectua o trabalho de maneira mais eficiente e segura se for utilizada de acordo com a capacidade para a qual foi concebida.
 - b. **Não utilize a ferramenta eléctrica se não conseguir ligar ou desligar o gatilho.** Qualquer ferramenta eléctrica que não possa ser controlada através do gatilho é perigosa e tem de ser reparada.
 - c. **Retire a ficha da fonte de alimentação e/ou a bateria da ferramenta eléctrica, caso seja possível fazê-lo, antes de efectuar quaisquer ajustes, substituir acessórios ou guardar ferramentas eléctricas.** Estas medidas de segurança preventivas reduzem o risco de ligar a ferramenta eléctrica acidentalmente.
 - d. **Mantenha as ferramentas eléctricas que não estiverem a ser utilizadas fora do alcance das crianças. Não permita que a ferramenta eléctrica seja utilizada por pessoas não familiarizadas com a mesma ou que não tenham lido estas instruções.**

As ferramentas eléctricas são perigosas nas mãos de pessoas que não possuam as qualificações necessárias para manuseá-las.

- e. **Proceda à manutenção das ferramentas eléctricas. Verifique se as partes móveis estão desalinhasadas ou bloqueadas, se existem peças partidas ou qualquer outra situação que possa afectar o funcionamento das ferramentas eléctricas. Se a ferramenta eléctrica estiver danificada, esta não deve ser utilizada até que seja reparada.** Muitos acidentes têm como principal causa ferramentas eléctricas com uma manutenção insuficiente.
- f. **Mantenha as ferramentas de corte afiadas e limpas.** As ferramentas de corte sujeitas a uma manutenção adequada, com arestas de corte afiadas, bloqueiam com menos frequência e controlam-se com maior facilidade.
- g. **Utilize a ferramenta eléctrica, os acessórios e as peças de ferramenta, etc., de acordo com estas instruções, considerando as condições de trabalho e a tarefa a ser executada.**

A utilização da ferramenta eléctrica para fins diferentes dos previstos pode resultar em situações perigosas.

- h. **Mantenha os punhos e as superfícies de preensão secos, limpos e sem qualquer óleo ou gordura.** Se o punho estiver escorregadio e as superfícies de preensão tiverem gordura, isso não permite um manuseamento e controlo seguros da ferramenta em situações inesperadas.

5. **Utilização e cuidados a ter com a ferramenta com baterias**

- a. **Carregue apenas com o carregador especificado pelo fabricante.** Um carregador adequado para um tipo de bateria pode causar um incêndio se for utilizado com outra bateria.
- b. **Utilize ferramentas eléctricas apenas com baterias específicas.** A utilização de outras baterias pode dar origem a risco de danos e incêndio.
- c. **Quando não utilizar as baterias, mantenha-as afastadas de outros objectos metálicos, tais como cliques para papel, moedas, chaves, pregos, parafusos ou outros pequenos objectos metálicos que permitam fazer a ligação de um terminal para outro.** O curto-circuito de terminais das baterias pode causar queimaduras ou incêndio.
- d. **Em condições abusivas, pode derramar líquido das baterias, devendo evitar o contacto. Se tocar acidentalmente no líquido, lave bem com água. Se o líquido entrar em contacto com os olhos, consulte um médico.** O líquido derramado da bateria pode causar irritação ou queimaduras.
- e. **Não utilize baterias ou ferramentas danificadas ou modificadas.**

As ferramentas danificadas ou modificadas podem apresentar um comportamento imprevisível e causar um incêndio, explosão ou risco de ferimentos.

- f. **Não exponha a bateria ou a ferramenta a fogo ou a temperatura excessiva.** A exposição a fogo ou uma temperatura superior a 130 °C pode causar uma explosão. NOTA: A temperatura "130 °C" pode ser substituída pela temperatura "265 °F".
 - g. **Siga todas as instruções de carregamento e não carregue a bateria ou a ferramenta fora do intervalo de temperaturas especificadas nas instruções.** O carregamento indevido ou a temperaturas fora do intervalo especificado pode danificar a bateria e aumentar o risco de incêndio.
6. **Assistência**
- a. **A sua ferramenta eléctrica só deve ser reparada por pessoal qualificado e só devem ser colocadas peças sobresselentes originais.** Desta forma, é garantida a segurança da ferramenta eléctrica.
 - b. **Nunca repare baterias danificadas.** A reparação das baterias só deve ser efectuada pelo fabricante ou por fornecedores de serviços autorizados.

Instruções de segurança adicionais para a agraphadora sem fio

- ◆ Use sempre óculos de protecção.
- ◆ Use sempre protecção para os ouvidos.
- ◆ Utilize apenas os agrafo especificados no manual.
- ◆ Não utilize quaisquer suportes para montar a ferramenta numa base.
- ◆ Não desmonte ou bloqueie quaisquer peças da agraphadora como, por exemplo, o activador de contacto.
- ◆ Antes de cada operação, deve verificar se o mecanismo de segurança e accionamento está a funcionar correctamente e se todas as porcas e parafusos estão apertados.
- ◆ Não utilize a ferramenta como martelo.
- ◆ Não utilize a ferramenta quando estiver em cima de um escadote.
- ◆ Nunca aponte a agraphadora ligada na sua direcção ou de outra pessoa.
- ◆ Quando estiver a utilizar a ferramenta, segure-a de modo a não causar quaisquer ferimentos na cabeça ou no corpo se houver recuo causado por um corte do fornecimento de energia ou superfícies duras dentro da peça de trabalho.
- ◆ Nunca dispare a agraphadora para o ar.
- ◆ No local de trabalho, transporte a ferramenta apenas pelo punho e nunca o faça com o gatilho accionado.
- ◆ Tenha em atenção as condições no local de trabalho.

Os agrafo têm capacidade para penetrar peças de trabalho finas ou escorregar em cantos e arestas da peça de trabalho e, por conseguinte, colocar a vida das pessoas em risco.

- ◆ **Não fixe agrafo perto da extremidade da peça de trabalho.**
- ◆ **Não fixe agrafo sobre outros agrafo.**
- ◆ **Parta sempre do pressuposto que a ferramenta contém agrafo.**
Uma utilização descuidada da agraphadora pode resultar num disparo inesperado dos pregos e em ferimentos.
- ◆ **Não aponte a ferramenta para si ou qualquer pessoa que esteja por perto.** O disparo inesperado irá disparar o agrafo e causar ferimentos.
- ◆ **Só deve accionar a ferramenta depois de colocá-la com firmeza contra a peça.** Se a ferramenta não estiver em contacto com a peça, o agrafo pode ser desviado do alvo.
- ◆ **Desligue a ferramenta da fonte de alimentação se o agrafo encravar na ferramenta.** Quando remover um agrafo encravado, a agraphadora pode ser activada acidentalmente se estiver ligada à corrente.
- ◆ **Não utilize esta ferramenta para fixar cabos eléctricos.**
Não foi concebida para a instalação de cabos eléctricos e poderá danificar o isolamento dos cabos eléctricos, resultando assim em perigos de incêndio ou choques eléctricos.

Rótulos no equipamento

Os seguintes símbolos, assim como o código de data, estão indicados na ferramenta:



Atenção! Para reduzir o risco de ferimentos, o utilizador deve ler o manual de instruções.

Vibração

O nível de emissão de vibrações e/ou ruído indicado nesta ficha de informações foi medido em conformidade com um teste padrão estabelecido pela normas EN60745 e poderá ser utilizado para comparar ferramentas. Por conseguinte, este nível poderá ser utilizado para uma avaliação preliminar da exposição às vibrações.

ATENÇÃO: O nível de emissão de vibrações e/ou ruído declarado diz respeito às principais aplicações da ferramenta. No entanto, se a ferramenta for utilizada para outras aplicações ou com outros acessórios, ou tiver uma manutenção insuficiente, o nível de emissão de vibrações e/ou ruído poderá ser diferente. Isto poderá aumentar significativamente o nível de exposição às vibrações ao longo do período total de trabalho.

Além disso, a estimativa do nível de exposição às vibrações e/ou ruído também deverá ter em conta o número de vezes que a ferramenta é desligada ou está em funcionamento, mas sem executar tarefas.

Instruções de segurança importantes para todas as ferramentas com bateria integrada

Atenção! Leia todos os avisos de segurança, instruções e avisos na bateria, carregador e produto. O não seguimento dos avisos e das instruções poderá resultar em choque eléctrico, incêndio e/ou ferimentos graves.

- ◆ Nunca insira a ficha do carregador na ferramenta com demasiada força.
- ◆ NÃO modifique a ficha de um carregador não compatível para encaixá-la na ferramenta, porque a bateria pode rebentar e causar ferimentos graves.
- ◆ NÃO carregue ou utilize a bateria em áreas com risco de explosão, nas quais se encontrem líquidos, gases ou poeiras inflamáveis.
A colocação ou remoção da ficha do carregador da ferramenta pode incendiar as poeiras ou os vapores.
- ◆ Carregue a bateria apenas com o cabo de carga fornecido e uma fonte de alimentação de classe 2 adequada.
- ◆ NÃO salpique ou coloque a bateria dentro de água.
- ◆ NÃO permita a entrada de água ou outros líquidos na ferramenta.
- ◆ NÃO armazene ou utilize a ferramenta em locais onde a temperatura possa atingir ou exceder 40 °C (tais como barracões ao ar livre ou construções de metal durante o Verão). Para uma maior duração das ferramentas, armazene num local fresco e seco.
- ◆ Não guarde a ferramenta com o interruptor ligado. Nunca coloque o interruptor na posição ligada.
- ◆ NÃO incinere a ferramenta, mesmo que apresente danos graves ou esteja totalmente gasta. A bateria pode explodir se for colocada numa fogueira. Quando as baterias de iões de lítio são queimadas, são produzidos vapores e materiais tóxicos.
- ◆ Se o conteúdo da bateria entrar em contacto com a pele, lave a área de imediato com sabão suave e água. Se o líquido da bateria entrar em contacto com os olhos, enxágue os olhos abertos com água durante 15 minutos ou até a irritação passar. Se for necessário contactar um médico, o electrólito da bateria é composto por uma mistura de carbonetos orgânicos líquidos e sais de lítio.
- ◆ O conteúdo da bateria aberta pode causar irritação nas vias respiratórias. Respire ar fresco. Se os sintomas persistirem, contacte um médico.
- ◆ O líquido da bateria pode ser inflamável se for exposto a faíscas ou chamas.
- ◆ Nunca abra a ferramenta, seja qual for o motivo.

Se a caixa da ferramenta apresentar fendas ou danos, não carregue a bateria. Não esmague, deixe cair ou danifique a ferramenta.

Não utilize uma ferramenta ou um carregador que tenha sofrido um golpe brusco, uma queda, atropelamento ou danificada de algum modo (por exemplo, perfurada por um prego, atingida com um martelo ou pisada). As ferramentas danificadas devem ser devolvidas ao centro de assistência para reciclagem.

Recomendações de armazenamento

A unidade deve ser armazenada num local seco e fresco, afastado de luz solar directa e excesso de calor ou frio. Armazene a ferramenta totalmente carregada e desligada do carregador.

Transporte

Nota: As ferramentas de iões de lítio integradas não devem ser despachadas como carga em aviões e devem estar bem protegidas contra curto-circuito caso transportá-la consigo a bordo.

Instruções de segurança importantes para todas as ferramentas com bateria integrada

Atenção! Leia todos os avisos de segurança, instruções e avisos na bateria, cabo de carregamento e produto. O não seguimento dos avisos e das instruções poderá resultar em choque eléctrico, incêndio e/ou ferimentos graves.

- ◆ Utilize apenas com equipamento informático (computadores) listado/certificado.
- ◆ NÃO exponha o cabo de carregamento a água, chuva ou neve.
- ◆ Quando desligar o cabo de carregamento, puxe pelas fichas e não pelo cabo. Isto reduz o risco de danos nas fichas e no cabo.
- ◆ O cabo deve ser colocado nessa posição, para que não seja pisado, não tropeçarem no cabo ou ficar sujeito a danos ou esforço.
- ◆ Quando carregar a ferramenta no exterior, escolha sempre um local seco.
- ◆ NÃO utilize um cabo de carregamento com um cabo ou fichas danificadas. Substitua-os de imediato.
- ◆ Materiais estranhos de natureza condutora, tais como, mas não limitados a, pó polido, aparas de metal, lâ de aço, alumínio em folha ou qualquer acumulação de partículas metálicas devem ser mantidos afastados das fichas e portas de carregamento e micro-carregamento.
- ◆ Desligue sempre o cabo de carregamento da fonte de alimentação quando não estiver inserido numa ferramenta.

Componentes

Este equipamento inclui algumas ou todas as seguintes funções:

1. Gatilho
2. Interruptor
3. LED indicador de carga/pronto a utilizar
4. Activador de contacto
5. Carregador
6. Clip de libertação do carregador
7. Visor da agrafadora
8. Entrada de carga
9. Cabo de carregamento

Montagem

Atenção! Para reduzir o risco de ferimentos graves, desligue a unidade e mantenha-se afastado do botão para ligar/desligar antes de efectuar quaisquer ajustes ou de retirar/installar dispositivos complementares ou acessórios. Um arranque accidental pode causar ferimentos.

Procedimento de carga (Fig. A)

Atenção! Não utilize a ferramenta enquanto estiver ligada ao carregador.

- ◆ Insira a ficha de carregamento (9) na porta de carregamento (8).
- ◆ Ligue a ficha de carregamento em qualquer porta de carregamento (por exemplo, num computador).
- ◆ O LED indicador de carga (3) começa a piscar a vermelho durante o carregamento.
- ◆ O LED indicador de carga muda para verde fixo quando está totalmente carregado.
- ◆ Pode deixar a bateria a carregar ou desligar o carregador.

Notas importantes sobre carregamento

- ◆ O carregador e a ferramenta podem ficar demasiado quentes durante o carregamento. Isto é normal e não representa um problema. Para facilitar o arrefecimento da ferramenta após a utilização, evite colocar o carregador ou a ferramenta num local quente, como num barracão metálico ou num reboque não isolado.
- ◆ Se a ferramenta não ficar carregada correctamente, leve a ferramenta e o carregado para um centro de assistência local.
- ◆ Pode também carregar uma bateria parcialmente utilizada sempre que quiser, porque não afecta a ferramenta.

Montagem e ajustes

Atenção! Para reduzir o risco de ferimentos graves, desligue a unidade e mantenha-se afastado do gatilho antes de efectuar quaisquer ajustes ou retirar/installar dispositivos complementares ou acessórios. Um arranque accidental pode causar ferimentos.

Preparar a ferramenta

Atenção! Nunca aponte a ferramenta na sua direcção ou de outras pessoas. Podem ocorrer ferimentos graves.

Atenção! Para reduzir o risco de ferimentos graves, verifique se o interruptor está na posição de desligado e mantenha as mãos afastadas do gatilho e retire os agrafos e pregos do carregador antes de efectuar quaisquer ajustes.

Atenção! NUNCA utilize lubrificantes por pulverização ou por qualquer outro meio ou solventes de limpeza no interior da ferramenta. Isto pode afectar gravemente a duração e o desempenho da ferramenta.

- ◆ Leia a secção Instruções de segurança deste manual.
- ◆ Use protecção ocular e auricular.
- ◆ Certifique-se de que retira todos os agrafos do carregador 5.
- ◆ Insira o activador de contacto 4 na superfície de contacto para verificar se o activador de contacto está a funcionar correctamente e sem problemas. Não utilize a ferramenta se não estiver a funcionar correctamente. NUNCA utilize uma ferramenta que tenha o activador de contacto bloqueado na posição activada.
- ◆ Nunca aponte a ferramenta na sua direcção ou de outras pessoas.

Carregar a ferramenta (Fig. B)

Atenção! Nunca aponte a ferramenta na sua direcção ou de outras pessoas. Podem ocorrer ferimentos graves.

Atenção! Certifique-se de que o interruptor está na posição de desligado antes de carregar ou descarregar.

Atenção! Nunca coloque agrafos/pregos com o activador de contacto ou o gatilho activados. Podem ocorrer ferimentos. A compatibilidade universal com agrafos de uso industrial de 6 mm a 14 mm, largura de coroa de 10,6 mm e pregos de 15 mm.

- ◆ Aperte o clip de libertação do carregador (6) e retire o carregador deslizante (5).
- ◆ Coloque agrafos. Assegure-se que os agrafos estão colocados de modo a que a coroa dos agrafos fica colocada contra a superfície interna do carregador.

Nota: A cabeça do prego deve ficar colocada contra a superfície interior esquerda do carregador. Se a colocar no lado direito, o carregador não fecha.

- ◆ Deslize o carregador até a lingueta do carregador encaixar com firmeza.

Descarregar a ferramenta

Atenção! Certifique-se de que o gatilho está na posição de desligar (0).

- ◆ Aperte o clip de libertação do carregador (6) e retire o carregador deslizante (5).
- ◆ Incline a ferramenta até os agrafos deslizarem livremente para fora da parte inferior do carregador.
- ◆ Assegure-se que não há agrafos soltos no interior do carregador.
- ◆ Deslize o carregador para fechá-lo com firmeza.

Retirar um agrafador encaixado

Se um prego ficar encaixado no carregador, não aponte a ferramenta na sua direcção e siga estas instruções:

Atenção! Certifique-se de que o interruptor está na posição de desligado antes de retirar um agrafador encaixado

- ◆ Pressione o clipe de libertação do carregador (6) e retire os agrafadores colocados.
- ◆ Inspeccione se no interior do carregador (5) há agrafadores encaixados.
- ◆ Retire o agrafador dobrado com um alicate, se necessário.
- ◆ Volte a inserir os agrafadores no carregador (consulte Carregar a ferramenta).

Funcionamento

Atenção! Para reduzir o risco de ferimentos graves, desligue a unidade e mantenha-se afastado do gatilho antes de efectuar quaisquer ajustes ou retirar/installar dispositivos complementares ou acessórios. Um arranque acidental pode causar ferimentos.

Funcionamento do gatilho (Fig. C)

Atenção! Utilize sempre óculos de protecção e uma protecção respiratória quando utilizar a ferramenta.

Atenção! Quando não fixar agrafadores, mantenha os dedos AFASTADOS do gatilho para evitar um disparo acidental. NUNCA transporte a ferramenta com o dedo no gatilho.

- ◆ Empurre o interruptor (2) da posição "O" para "I" para ligar a agrafadora.
- ◆ Pressione por completo no activador de contacto (4) contra a superfície de trabalho, o indicador verde (3) acende-se.
- ◆ Puxe o gatilho (1). O agrafador é fixado na superfície de trabalho.

Nota: Mantenha uma pressão descendente na superfície de trabalho até o agrafador ser fixado na superfície de trabalho.

- ◆ Liberte o gatilho.
- ◆ Levante o activador de contacto da superfície de trabalho.
- ◆ Repita os passos 1 a 4 para a próxima aplicação.

Nota: O activador de contacto tem de ser pressionado puxando o gatilho para cada agrafador, seguido da libertação do activador de contacto e do gatilho depois de cada agrafador.

Posição correcta das mãos (Fig. D)

Atenção! Para reduzir o risco de ferimentos graves, utilize SEMPRE a ferramenta com as mãos na posição correcta, tal como exemplificado na figura.

Atenção! Para reduzir o risco de ferimentos graves, segure SEMPRE a ferramenta com segurança, antecipando uma reacção súbita por parte da mesma.

A posição correcta das mãos requer a colocação de uma mão no punho principal.

Manutenção

O equipamento BLACK+DECKER foi concebido para funcionar durante um longo período de tempo com uma manutenção mínima. Uma utilização continuamente satisfatória depende de uma manutenção apropriada e de uma limpeza regular.

- ◆ Limpe com frequência o equipamento com um pano húmido. Não utilize produtos de limpeza abrasivos ou à base de solventes. Nunca deixe entrar líquidos no equipamento e nunca submerja nenhuma parte do equipamento em líquidos.

Acessórios

Atenção! Uma vez que foram testados apenas neste produto os acessórios disponibilizados BLACK+DECKER, a utilização de outros acessórios com esta ferramenta pode ser perigosa. Para reduzir o risco de ferimentos, devem ser utilizados apenas os acessórios recomendados pela BLACK+DECKER com este produto.

Os acessórios recomendados para uso com a ferramenta estão disponíveis, mediante um custo adicional, no seu fornecedor local ou centro de assistência autorizado.

- ◆ TRA704T – Agrafador laminado plano de 6 mm, 10,6 x 1,26 mm
- ◆ TRA705T – Agrafador laminado plano de 8 mm, 10,6 x 1,26 mm
- ◆ TRA706T – Agrafador laminado plano de 10 mm, 10,6 x 1,26 mm
- ◆ TRA708T – Agrafador laminado plano de 12 mm, 10,6 x 1,26 mm
- ◆ TRA709T – Agrafador laminado plano de 14 mm, 10,6 x 1,26 mm
- ◆ SWK-BN0625T – Pregos, 15 mm, tipo J

Protecção do ambiente



Faça uma recolha de lixo selectiva. Os produtos e as baterias assinalados com este símbolo não devem ser eliminados juntamente com o lixo doméstico normal.

Os produtos e as baterias contêm materiais que podem ser recuperados ou reciclados, reduzindo assim a necessidade de matérias-primas.

Recicle os produtos eléctricos e as baterias de acordo com as disposições locais.

Estão disponíveis mais informações em www.2helpU.com

Dados técnicos

		BCN115
Tensão	V _{cc}	3,6
Tamanho dos agrafadores	mm	6 - 14
Tamanho dos pregos	mm	15
Peso	kg	0,9

Nível de pressão sonora de acordo com a norma EN 60745:

Nível de emissão de pressão sonora: (L_{pa} : 77 dB(A); K=3 dB(A);

Nível de potência sonora medida: (L_{wa}): 88 dB(A); K=3 dB(A);

Valores totais de vibração (soma de vectores triax) de acordo com a norma EN 60745:

Nível de vibração: (ah): 5,7 m/s²; K = 1,5 m/s²

Declaração de conformidade CE DIRECTIVA "MÁQUINAS"



Agrafadora para trabalhos manuais BCN115
A Black & Decker declara que os produtos
descritos em "dados técnicos" estão em
conformidade com:

2006/42/CE, EN60745-1:2009+A11:2010 e EN60745-2-
16:2010, Estes produtos estão também em conformidade
com as Directivas 2014/30/UE e 2011/65/UE.

Para obter mais informações, contacte a Black & Decker
através do endereço seguinte ou consulte o verso do manual.
O abaixo assinado é responsável pela compilação
do ficheiro técnico e faz esta declaração em nome
da Black & Decker.

Patrick Diepenbach

Patrick Diepenbach
Director-Geral, Benelux
Black and Decker,
Egide Walschaertsstraat 14-18
2800 Mechelen, Bélgica
15/12/2021

Garantia

A Black & Decker confia na qualidade dos seus produtos
e oferece aos clientes uma garantia de 24 meses a partir
da data de compra. Esta garantia é um complemento dos
seus direitos estabelecidos por lei, não os prejudicando de
forma alguma. A garantia é válida nos Estados-membros da
União Europeia e nos países-membros da Zona Europeia de
Comércio Livre.

Para acionar a garantia, esta deve estar em conformidade
com os termos e condições da Black&Decker e terá de
apresentar o comprovativo de compra ao vendedor ou a um
técnico de reparação autorizado.

Os termos e condições da garantia de 2 anos da
Black&Decker e a localização do agente de reparação
autorizado mais próximo pode ser obtido na Internet em
www.2helpU.com ou contactando uma filial da Black &
Decker, cuja morada está indicada neste manual.

Visite o nosso Website www.blackanddecker.co.uk para
registar o novo produto BLACK+DECKER e manter-se
actualizado relativamente a novos produtos e ofertas
especiais.

Avsedd användning

Din BLACK+DECKER™ BCN115 sladdlösa håftapparat har
designats för hantverksapplikationer. Produkten är endast
avsedd för konsumentanvändning. Ej lämplig för fastsättning
av elkablar.

Säkerhetsinstruktioner

Allmänna säkerhetsanvisningar för elverktyg



**Varning! Läs alla säkerhetsvarningar,
instruktioner, illustrationer och specifikationer
som levereras med detta elverktyg.**

Fel som uppstår till följd av att varningarna
och instruktionerna som listas nedan inte
följts kan orsaka elstötar, brand och/eller
allvarliga kroppsskador.

**Spara alla säkerhetsföreskrifter och anvisningar för
framtida bruk.** Begreppet "Elverktyg" i alla varningar som
listas nedan avser nätdrivna elverktyg (med nätsladd) och
batteridrivna elverktyg (sladdlösa).

1. Säkerhet på arbetsplatsen

- Se till att arbetsområdet är rent och väl belyst.**
Belamrade och mörka områden inbjuder till olyckor.
- Använd inte elverktyget i explosionsfarlig omgivning,
t.ex. i närheten av brännbara vätskor, gaser eller
damm.** Elverktyg skapar gnistor som kan antända damm
eller ångor.
- Håll barn och åskådare på avstånd vid arbete med
elverktyget.** Distractioner kan göra att du förlorar
kontrollen.

2. Elsäkerhet

- Elverktygets stickkontakt måste passa i eluttaget.
Modifera aldrig kontakten på något sätt.**
**Använd inga adapterkontakter tillsammans med
jordade elverktyg.** Icke modifierade kontakter och
passande uttag minskar risken för elektrisk stöt.
- Undvik kroppskontakt med jordade ytor, t.ex. rör,
värmeelement, spisar och kylskåp.** Det finns en ökad
risk för elektrisk stöt om din kropp är jordansluten eller
jordad.
- Utsätt inte elverktyget för regn eller våta omgivelningar.**
Vatten som kommer in i ett elverktyg ökar risken för
elektrisk stöt.
- Misshandla inte nätsladden. Använd aldrig sladden för
att bära, dra eller koppla bort elverktyget från uttaget.
Håll sladden borta från värme, olja, skarpa kanter eller
rörliga delar.** Skadade eller tilltrasslade sladdar ökar
risken för elektrisk stöt.
- Använd en förlängningssladd som lämpar sig för
utomhusbruk när du arbetar med elverktyg utomhus.**

- Användning av en sladd som är lämplig för utomhusbruk minskar risken för elektriska stötar.
- f. **Om du måste använda ett elverktyg på en fuktig plats, bör du använda en strömförsörjning med jordfelsbrytare.** Användning av en jordfelsbrytare minskar risken för elektrisk stöt.
3. **Personlig säkerhet**
- a. **Var uppmärksam, se på vad du gör och använd sunt omdöme när du använder elverktyget.** Använd inte ett elverktyg när du är trött eller påverkad av droger, alkohol eller mediciner. Ett ögonblicks uppmärksamhet när du arbetar med elektriska verktyg kan leda till allvarliga personskador.
- b. **Använd personlig skyddsutrustning. Använd alltid skyddsglasögon.** Skyddsutrustning såsom dammfilterskydd, halssäkra säkerhetsskor, skyddshjälm eller hörselskydd som används för lämpliga förhållanden minskar personskador.
- c. **Förhindra oavsiktlig start. Kontrollera att strömbrytaren står i avstängt läge innan du ansluter verktyget till elnätet eller sätter i batteriet, samt innan du tar upp eller bär verktyget.** Att bära elektriska verktyg med fingret på strömbrytaren eller att koppla strömmen till elektriska verktyg när strömbrytaren är på leder till olyckor.
- d. **Ta bort alla inställningsverktyg och skruvnycklar innan du startar elverktyget.** Ett verktyg eller en nyckel som har lämnats kvar på en roterande del av det elektriska verktyget kan orsaka kroppsskador.
- e. **Sträck dig inte för mycket. Ha ordentligt fotfäste och balans hela tiden.** Detta möjliggör bättre kontroll av elverktyget i oväntade situationer.
- f. **Bär lämpliga kläder. Bär inte lösa kläder eller smycken. Håll hår och kläder borta från delar i rörelse.** Lösa kläder, smycken eller långt hår kan fastna i rörliga delar.
- g. **Om enheten har dammsugnings- och uppsamlingsutrustning, se till att den är ansluten och används på korrekt sätt.** Användning av dammsugning kan minska dammrelaterade risker.
- h. **Låt inte förtrogenheten som uppstått genom regelbunden användning av verktyg låta dig bli självsäker och ignorera verktygets säkerhetsprinciper.** En oförsiktig handling kan orsaka allvarliga skador under bråkdelen av en sekund.
4. **Användning och skötsel av elverktyg**
- a. **Överbelasta inte elverktyget. Använd rätt elverktyg för ditt arbete.** Det korrekta elverktyget gör arbetet bättre och säkrare vid den hastighet för vilket det konstruerades.
- b. **Använd inte elverktyget om det inte kan startas och stängas av med strömbrytaren.** Ett elverktyg som inte kan kontrolleras med strömbrytaren är farligt och måste repareras.
- c. **Dra ur kontakten från strömkällan och/eller ta bort batteriet från elverktyget, om det går att ta bort, innan du gör några justeringar, byter tillbehör eller lägger elverktygen till förvaring.** Sådana förebyggande säkerhetsåtgärder minskar risken att oavsiktligt starta elverktyget.
- d. **Förvara elverktyg utom räckhåll för barn och låt inte personer som är ovana vid elverktyget eller som inte läst denna bruksanvisning använda det.** Elverktyg är farliga i händerna på ovana användare.
- e. **Underhålla elverktyg och tillbehör. Kontrollera att rörliga komponenter fungerar felfritt och inte kärvar, att komponenter inte gått sönder eller skadats och inget annat föreligger som kan påverka elverktygets funktion. Om det är skadat, se till att elverktyget blir reparerat före användning.** Många olyckor orsakas av dåligt underhållna elektriska verktyg.
- f. **Håll skärande verktyg vassa och rena.** Korrekt underhållna kaperktyg med vassa skär är mindre troliga att de fastnar och är lättare att kontrollera.
- g. **Använd elverktyg, tillbehör, bits m.m. enligt dessa anvisningar, samtidigt som arbetsförhållandena och det arbete som ska utföras beaktas.** Användning av elverktyget för andra uppgifter än vad som avsetts kan resultera i farliga situationer.
- h. **Håll handtagen och greppytorna torra, rena och fria från olja och fett.** Håll handtag och greppytor förhindrar säker hantering och kontroll av verktyget i oväntade situationer.
5. **Användning och skötsel av batteridrivet verktyg**
- a. **Ladda endast med den laddare som är specificerad av tillverkaren.** En laddare som passar en batterityp kan medföra brandrisk om den används ihop med ett annat batteri.
- b. **Använd endast de batterier som är speciellt avsedda för elverktyget.** Användning av andra batterier kan leda till personskador eller eldsvåda.
- c. **När batteriet inte används ska du hålla det åtskilt från metallföremål som gem, mynt, nycklar, spik, skruvar och andra små metallföremål som kan orsaka kortslutning mellan batteriets poler.** Kortslutning av batteripolerna kan leda till brännskador eller eldsvåda.
- d. **Under olämpliga förhållanden kan vätska spruta ut från batteriet. Undvik kontakt. Vid oavsiktlig kontakt, spola med vatten. Om vätskan kommer i kontakt med ögonen, sök också läkarhjälp.** Vätska som sprutar ur batteriet kan orsaka sveda och brännskador.
- e. **Använd inte batterier eller verktyg som är skadade eller modifierade.**

Skadade eller modifierade batterier kan uppvisa oförutsägbart beteende som kan leda till brand, explosion eller risk för skada.

- f. **Utsätt inte batteri eller verktyg för eld eller överdriven temperatur.** Exponering för brand eller temperatur över 130 °C kan orsaka explosion. NOTERA: Temperaturen "130 °C" kan ersättas med temperaturen "265 °F".
- g. **Följ alla laddningsanvisningar och ladda inte batteriet eller verktyget utanför det temperaturområde som anges i instruktionerna.** Felaktig laddning eller vid temperaturer utanför det angivna området kan det skada batteriet och öka risken för brand.

6. Service

- a. **Låt en kvalificerad reparatör som bara använder identiska reservdelar utföra service på elverktyget.** Detta säkerställer att elverktygets säkerhet bibehålls.
- b. **Gör aldrig service på skadade batterier.** Service på batteri skall endast utföras av tillverkaren eller auktoriserad servicepersonal.

Ytterligare säkerhetsinstruktioner för sladdlösa häftapparater

- ◆ Bär alltid skyddsglasögon.
- ◆ Bär alltid hörselskydd.
- ◆ Använd endast fastdon av den typ som specificerats i manualen.
- ◆ Använd inga ställningar för montering av mot ett stöd.
- ◆ Demontera inte eller blockera någon del av spikpistolen såsom kontaktremsan.
- ◆ Kontrollera före varje användning att säkerheten och avtryckarmekanismen fungerar korrekt och att alla muttrar och skruvar är åtdragna.
- ◆ Använd inte verktyget som hammare.
- ◆ Använd inte verktyget på en stege.
- ◆ Peka aldrig med en spikpistol under drift mot dig själv eller mot någon annan person.
- ◆ Under arbetet, håll verktyget på ett sådant sätt att inga skador kan uppstå mot huvudet eller kroppen vid en eventuell rekyl på grund av strömbrott eller hårda delar på arbetsstycket.
- ◆ Aktivera aldrig fästverktyget på en fri yta.
- ◆ På arbetsplatsen, bär endast verktyget i ena handtaget och aldrig med avtryckaren aktiverad.
- ◆ Se över arbetsförhållandena på arbetsplatsen, fastdon kan penetrera tunna material eller halka av hörn och kanter på arbetsstycket och utsätta personer i närheten för risker.
- ◆ Fäst inga fastdon nära kanterna på arbetsstycket.
- ◆ Fäst inga fastdon ovanpå andra fastdon.
- ◆ Utgå alltid från att verktyget innehåller fastdon. Oförsiktig hantering av spikpistolen kan resultera i oväntad avtryckning av fastdon och personskador.

- ◆ **Rikta inte verktyget mot dig själv eller mot personer i närheten.** Öväntad avtryckning kommer att avlossa spikpistolen och orsaka skador.
- ◆ **Använd inte verktyget om det inte ligger an ordentligt mot arbetsstycket.** Om verktyget inte har full kontakt med arbetsstycket kan fästdonet hamna fel.
- ◆ **Koppla bort verktyget från strömkällan om fästdonet fastnar i verktyget.** När ett fästdon som fastnat tas bort kan spikpistolen oavsiktligt aktiveras om den är inkopplad.
- ◆ **Använd inte den här häftpistolen för att fästa elkablar.** Den är inte gjord för installation av elkablar och kan skada isoleringen på elkablarna och därigenom orsaka elektriska stötar eller eldsvåda.

Etiketter på apparaten

Följande symboler tillsammans med datumkoden visas på apparaten:



Varning! Läs bruksanvisningen före användning för att minska risken för personskador.

Vibrationer

Vibrations- och/eller bullerutsläppet som anges i detta informationsblad har uppmätts i enlighet med ett standardiserat test som anges i EN60745 och kan användas för att jämföra ett verktyg med ett annat. Den kan användas för att få fram en preliminär uppskattning av exponering.

WARNING: Den deklarerade vibrations- och/eller bullerutsläppsnivån representerar huvudanvändningen av verktyget. Om verktyget används för andra arbetsuppgifter med andra tillbehör eller dåligt underhållet kan vibrations- och/eller bullerutsläppet variera. Detta kan avsevärt öka exponeringsnivån under hela dess arbetstid.

En uppskattning av exponeringsnivån av vibrationer och/eller buller ska också tas med i beräkningen när verktyget stängs av eller när det körs men inte utför något arbete.

Viktiga säkerhetsanvisningar för alla integrerade batteriverktyg

Varning! Läs alla säkerhetsvarningar, instruktioner och varningsmärkningar för batteriet, laddaren och produkten. Underlåtenhet att följa varningarna och instruktionerna kan resultera i elektrisk stöt, eldsvåda och/eller allvarlig personskada.

- ◆ Använd aldrig våld för att sätta in en laddkontakt i verktyget.
- ◆ Modifiera INTE en icke-kompatibel laddningskabel på något sätt så att den passar i en verktyg då batteriet kan brista och orsaka allvarliga personskador.
- ◆ Ladda INTE eller använd i explosiv atmosfär, såsom i närheten av brännbara vätskor, gaser eller damm.

Isättning och borttagning av laddarkabeln från verktyget kan antända dammet eller ångorna.

- ◆ Ladda endast batteriet med den medföljande laddningskabeln och en lämplig klass 2-strömkälla.
- ◆ UNDVIK att sänka på eller sänka ner i vatten.
- ◆ Låt INTE vatten eller vätska komma in i verktyget.
- ◆ Förvara eller använd INTE enheten på platser där temperaturen kan nå upp till eller överstiga 40 °C (såsom skjul utomhus eller metallklädda byggnader sommartid). För optimal livslängd, förvara på en sval och torr plats.
- ◆ Förvara inte verktyget med brytaren på i låst läge. Tejpa aldrig en strömbrytare i påslaget läge.
- ◆ Bränn INTE batteriet, även om det är svårt skadat och helt utslitet. Batteriet kan explodera i elden. Giftiga ångor och giftigt material bildas under förbränning av litiumjonbatterier.
- ◆ Om batteriets innehåll kommer i kontakt med huden, tvätta omedelbart av det berörda området med vatten och mild tvål. Om batterivätska kommer in i ögonen, skölj med vatten över öppet öga i 15 minuter eller tills irritationen upphört. Om medicinsk omsorg behövs består batterielektrolyten av en blandning av flytande organiska karbonater och litiumsalter.
- ◆ Innehållet i öppnade battericeller kan ge upphov till andningsirritation. Sörj för god luftväxling. Om symptomen kvarstår, uppsök läkarvård.
- ◆ Batterivätska är lättantändlig om den utsätts för gnistor eller öppen eldslåga.
- ◆ Försök aldrig att öppna verktyget av någon anledning. Ladda inte om verktygshuset är sprucket eller skadat. Krossa inte, tappa eller skada verktyget. Använd inte ett verktyg eller USB-kabel som fått en kraftig stöt, tappats, körts över eller skadats på något annat sätt (t.ex. genomborrats av en spik, träffats av en hammare, klivits på). Ett skadat verktyg ska returneras till servicecentret för återvinning.

Förvaringsrekommendationer

Det är bäst om förvaringsplatsen är sval och torr och skyddas från direkt solljus och kraftig värme eller kyla.

Förvara det fulladdade verktyget bortkopplat från laddaren.

Transport

Notera: Integrerade litiumjonverktyg bör inte placeras i incheckat bagage på flygplan och måste skyddas ordentligt från kortslutning om de finns i handbagage.

Viktiga säkerhetsanvisningar för alla integrerade batteriverktyg

Varning! Läs alla säkerhetsvarningar, instruktioner och varningsmärkningar för batteriet, laddar kabeln och produkten.

Underlåtenhet att följa varningarna och instruktionerna kan resultera i elektrisk stöt, eldsvåda och/eller allvarlig personskada.

- ◆ Använd endast med listad/certifierad utrustning (dator).
- ◆ Utsätt INTE laddar-kabeln för vatten, regn eller snö.
- ◆ Dra i pluggarna snarare än i sladden när du kopplar bort laddarkabeln. Detta kommer att minska risken för skador på den elektriska kontakten och sladden.
- ◆ Se till att sladden placeras så att ingen går på den, snubblar på den eller att den på annat sätt riskerar att skadas.
- ◆ När du laddar verktyget utomhus ska du alltid se till att det är på en torr plats.
- ◆ Använd INTE laddar-kabeln med en skadad sladd eller kontakt. Låt dem bytas ut omedelbart.
- ◆ Främmande föremål som är ledande såsom, men inte begränsat till, slipdamm, metallspån, stålull, aluminiumfolie eller ansamling av metallpartiklar bör hållas borta från laddar- och micro- laddar-kontakter och portar.
- ◆ Koppla alltid ur laddar-kabeln från strömförsörjningen när det inte finns något verktyg anslutet till den.

Funktioner

Denna apparat har några eller samtliga av följande funktioner:

1. Avtryckare
2. Strömbrytare
3. Laddningsindikator/LED klar att använda
4. Kontakttunga
5. Magasin
6. Magasinfrigöringsklämma
7. Häftapparat visningsfönster
8. Laddningsuttag
9. Laddkabel

Montering

Varning! För att minska risken för allvarlig personskada, stäng av enheten och koppla bort den från strömknappen innan du gör några justeringar eller tar bort/installerar tillsatser eller tillbehör. En oavsiktlig start kan orsaka skador.

Laddningsprocedur (bild A)

Varning! Använd inte verktyget medan det är anslutet till laddaren.

- ◆ Sätt i laddar-kontakten (9) i laddningsuttaget (8).
- ◆ Anslut laddar-kontakten till valfri laddar-port (t.ex. på en dator).
- ◆ Laddningsindikatorn LED (3) börjar blinka rött under laddning.
- ◆ Laddningsindikatorn LED växlar till fast grönt när den är fulladdad.
- ◆ Batteriet kan lämnas kvar eller laddaren kan kopplas bort.

Viktiga anmärkningar gällande laddning

- ◆ Laddaren och batteriet kan bli för varma att vidröra under laddningen.
Detta är normalt och indikerar inte något problem. För att underlätta kylningen av verktyget efter användning, undvik att placera laddaren eller verktyget i en varm miljö, såsom i ett metallskjul eller på en oisolerad släpvagn.
- ◆ Om verktyget inte laddas ordentligt tar du verktyget och laddaren till ditt lokala servicecenter.
- ◆ Du kan också ladda ett delvis använt batteri när du så önskar utan att det har någon negativ effekt på verktyget.

Montering och justering

Varning! För att minska risken för allvarlig personskada, stäng av enheten och håll dig på avstånd från avtryckaren innan du gör några justeringar eller tar bort/installerar tillsatser eller tillbehör. En oavsiktlig start kan orsaka skador.

Förbereda verktyget

Varning! Håll verktyget riktat bort från dig och andra personer. Personskador kan uppstå.

Varning! För att minska risken för allvarlig personskada, se till att strömbrytaren är i avslaget läge och håll händerna borta från avtryckaren och ta bort häftklamrar och spikar från magasinet innan du gör justeringar.

Varning! Spreja ALDRIG eller använd på annat sätt smörjmedel eller rengöringsmedel inuti verktyget. Detta kan allvarligt påverka verktygets livslängd och prestanda.

- ◆ Läs igenom säkerhetsinstruktionerna i denna bruksanvisning.
- ◆ Använd ögon- och hörselskydd.
- ◆ Se till att magasin 5 är tomt på fästdon.
- ◆ Placera kontaktremsa 4 på arbetsytan för att kontrollera att kontaktremsan fungerar jämnt och som den ska. Använd inte verktyget om något inte fungerar korrekt. Använd ALDRIG ett verktyg som har kontaktremsan fast i det aktiverade läget.
- ◆ Håll verktyget riktat bort från dig och andra personer.

Ladda verktyget (fig. B)

Varning! Håll verktyget riktad bort från dig och andra personer. Personskador kan uppstå.

Varning! Kontrollera att strömbrytaren står i avstängt läge innan du laddar eller laddar ur.

Varning! Ladda aldrig klamrar/spikar med kontaktremsan eller avtryckaren aktiverad. Personskador kan uppstå.

Universell kompatibilitet med kraftiga häftklamrar 6 mm-14 mm, 10,6 mm kronbredd och 15 mm spikar.

- ◆ Tryck på magasinfrigöringsknappen (6) och dra ur glidmagasinet (5).
- ◆ Ladda fästdonen. Se till att klamrar är påfyllda så att kronan på klamrarna är mot insidan av magasinet.

Notera: Huvudet på spiken måste vara mot vänster sida inuti magasinet. Magasinet går inte att stänga om de är påfyllda på höger sida.

- ◆ Stäng glidmagasinet tills magasinets låsanordningar är ordentligt på plats.

Tömma verktyget

Varning! Se till att strömbrytaren är i avstängt läge (0).

- ◆ Tryck på magasinfrigöringsklämman (6) och dra ur glidmagasinet (5).
- ◆ Luta verktyget på sidan till klamrar glider fritt ut ur magasinets underdel.
- ◆ Kontrollera att inga lösa klamrar förblir inuti magasinet.
- ◆ Stäng glidmagasinet helt.

Rensa bort en häftklammer som har fastnat

Om en klammer fastnar i magasinet, håll verktyget riktat bort från dig och följ dessa instruktioner för att rensa:

Varning! Kontrollera att strömbrytaren står i avstängt läge innan du tar bort en klammer som fastnat.

- ◆ Tryck på magasinfrigöringsklämman (6) och ta bort eventuella påfyllda klamrar.
- ◆ Kontrollera insidan av magasinet (5) visuellt för eventuella klamrar som fastnat.
- ◆ Ta bort böjda klamrar, använd en tång om så behövs.
- ◆ Sätt tillbaka klamrarna i magasinet (se Ladda verktyget).

Drift

Varning! För att minska risken för allvarlig personskada, stäng av enheten och håll dig på avstånd från avtryckaren innan du gör några justeringar eller tar bort/installerar tillsatser eller tillbehör. En oavsiktlig start kan orsaka skador.

Avtryckarfunktion (fig. C)

Varning! Bär alltid skyddsglasögon och hörselskydd när du använder verktyget.

Varning! Håll fingrarna BORTA från avtryckaren när klamrar inte drivs för att undvika oavsiktlig avfyrning från fästdon. Bär ALDRIG verktyget med fingret på avtryckaren.

- ◆ Tryck strömbrytaren (2) från "O" till "I" för att slå på häftapparaten.
- ◆ Tryck kontaktremsan (4) helt mot arbetsytan och den gröna indikator (3) ska tändas.
- ◆ Fästdonen från avtryckaren (1) drivs in i arbetsytan.

Notera: Fortsätt att trycka ner mot arbetsytan tills fästdonen drivs mot arbetsytan.

- ◆ Släpp avtryckaren.
- ◆ Lyft bort kontaktremsan från arbetsytan.
- ◆ Upprepa steg 1 till 4 för nästa användning.

Notera: Kontaktremsan behöver tryckas ned följt av intryckning av avtryckaren för varje fästdon följt av att kontaktremsan och avtryckaren släpps efter varje fästdon.

Korrekt handposition (bild D)

Varning! För att minska risken för allvarlig personskada, använd **ALLTID** korrekt handställning, så som visas.

Varning! För att minska risken för allvarlig personskada, håll **ALLTID** fast verktyget för att förekomma en plötslig reaktion. Korrekt handplacering kräver en hand på huvudhandtaget.

Underhåll

Din BLACK+DECKER-apparat är konstruerad för att fungera under lång tid med ett minimum av underhåll. Kontinuerlig tillfredsställande drift beror på ordentlig verktygsvård och regelbunden rengöring.

- ◆ Rengör apparaten regelbundet med en fuktig trasa.
- ◆ Använd aldrig något slipande eller lösningsmedelsbaserat rengöringsmedel. Låt aldrig någon vätska komma in i apparaten och doppa den aldrig i någon vätska.

Tillbehör

Varning! Eftersom andra tillbehör än de som erbjuds av BLACK+DECKER inte har testats med denna produkt, kan användningen av sådana tillbehör med detta verktyg vara riskabelt. För att minska risken för personskada bör endast tillbehör som rekommenderas av BLACK+DECKER användas med denna produkt.

Rekommenderade tillbehör för användning med ditt verktyg finns tillgängliga att köpa hos din lokala återförsäljare eller auktoriserat servicecenter.

- ◆ TRA704T – 6 mm bredtrådsklammer 10,6x 1,26 mm
- ◆ TRA705T – 8 mm bredtrådsklammer 10,6x 1,26 mm
- ◆ TRA706T – 10 mm bredtrådsklammer 10,6x 1,26 mm
- ◆ TRA708T – 12 mm bredtrådsklammer 10,6x 1,26 mm
- ◆ TRA709T – 14 mm bredtrådsklammer 10,6x 1,26 mm
- ◆ SWK-BN0625T – 15 mm/5/8"/18ga spik J-typ

Skydda miljön



Separat insamling. Produkter och batterier som är markerade med denna symbol får inte kastas i de vanliga hushållssoptorna.

Produkter och batterier innehåller material som kan återanvändas eller återvinnas för att minska behovet av råmaterial.

Återvinn elektriska produkter och batterier enligt lokala föreskrifter.

Närmare information finns tillgänglig på www.2helpU.com

Tekniska data

		BCN115
Spänning	V _{DC}	3,6
Klammerstorlek	mm	6 - 14
Dyckertstorlek	mm	15
Vikt	kg	0,9

Ljudtrycksnivå enligt EN 660745:

Emissionsljudtrycksnivå: (L_{PA}): 77 dB(A); K=3 dB(A);

Uppmätt ljudtrycksnivå: (L_{WA}): 88 dB(A); K=3 dB(A);

Totala vibrationsvärden (vektorsumman av tre axlar) enligt EN 60745:

Vibrationsnivå: (ah): 5,7 m/s²; K=1,5 m/s²

EG-försäkran om överensstämmelse MASKINDIREKTIVET



BCN115 Hantverkshäftapparat

Black & Decker garanterar att produkterna som beskrivs under "Tekniska data" uppfyller: 2006/42/EG, EN60745-1:2009+A11:2010 och EN60745-2-16:2010. Dessa produkter överensstämmer även med direktiv 2014/30/EU och 2011/65/EU.

Kontakta Black & Decker för ytterligare information på följande adress, eller se handbokens baksida.

Undertecknad är ansvarig för sammanställningen av den tekniska filen och lämnar denna deklaration på uppdrag av Black & Deckers.

Patrick Diepenbach

Patrick Diepenbach
General Manager, Benelux
Black and Decker,
Egide Walschaertsstraat 14-18
2800 Mechelen, Belgium
15/12/2021

Garanti

Black & Decker är säker på kvaliteten hos denna produkt och erbjuder kunder 24 månaders garanti från inköpsdatumet. Denna garanti är ett tillägg till dina lagstadgade rättigheter och påverkar inte dessa på något sätt. Garantin är giltig i de områden som tillhör medlemsstaterna i Europeiska unionen och det europeiska frihandelsområdet.

För yrkande under garantin måste yrkandet vara in enlighet med Black&Deckers villkor och du kommer att behöva skicka in bevis på köpet till försäljaren eller en auktoriserad reparatör. Villkoren för Black&Deckers tvååriga garanti och var du hittar din närmaste auktoriserade reparatör kan erhållas på internet på www.2helpU.com, eller genom att kontakta ditt lokala Black & Decker-kontor på adressen som angetts i denna bruksanvisning.

Besök vår webbplats www.blackanddecker.se för att registrera din nya BLACK & DECKER-produkt samt för att få information om nya produkter och specialerbjudanden.

Tiltenkt bruk

Denne BLACK+DECKER™ BCN115 trådløse stiftemaskin er designet for håndverksbruk. Dette produktet er bare beregnet som forbrukerprodukt i husholdninger. Passer ikke til å feste elektriske ledninger.

Sikkerhetsanvisninger

Generelle sikkerhetsadvarsler for elektroverktøy



Advarsel! Les alle sikkerhetsanvisninger, instruksjoner, illustrasjoner og spesifikasjoner som følger dette elektriske verktøyet. Hvis advarslene og anvisningene nedenfor ikke overholdes, kan det medføre elektrisk støt, brann og/eller alvorlige personskader.

Ta vare på alle advarsler og instruksjoner for fremtidig bruk. Uttrykket "elektroverktøy" i alle advarslene nedenfor gjelder for strømdrevne elektroverktøy (med ledning) og batteridrevne elektroverktøy (uten ledning).

1. Sikkerhet i arbeidsområdet

- Hold arbeidsområdet rent og godt opplyst.** Rotete eller mørke områder er en invitasjon til ulykker.
- Ikke arbeid med elektroverktøy i eksplosjonsfarlige omgivelser, for eksempel der det befinner seg brennbare væsker, gass eller støv.** Elektrisk verktøy skaper gnister som kan antenne støv eller gasser.
- Hold barn og andre personer unna når du bruker et elektroverktøy.** Distraksjoner kan føre til at du mister kontrollen.

2. Elektrisk sikkerhet

- Støpselet til verktøyet må passe til stikkkontakten. Aldri modifier støpselet på noen måte.** Ikke bruk adapterstøpsler til jordede elektriske verktøy. Umodifiserte støpsler og stikkontakter som passer vil redusere risikoen for elektrisk sjokk.
- Unngå kroppskontakt med jordede overflater som rør, radiatorer, komfyrer og kjøleskap.** Det er økt risiko for elektrisk støt dersom kroppen din er jordnet.
- Ikke utsett elektroverktøy for regn eller fuktighet.** Dersom det kommer vann inn i et elektrisk verktøy vil det øke risikoen for elektrisk sjokk.
- Unngå uforsvarlig behandling av ledningen. Aldri bruk ledningen til å bære, trekke eller dra ut støpselet til det elektriske verktøyet. Hold ledningen borte fra varme, olje, skarpe kanter eller bevegelige deler.** Skadede eller innviklede ledninger øker risikoen for elektrisk sjokk.
- Når du bruker et elektroverktøy utendørs, må du bruke en skjøteledning som er egnet til utendørs bruk.**

Bruk av en skjøteledning beregnet for utendørs bruk reduserer risikoen for elektrisk støt.

- Hvis du ikke kan unngå å bruke elektroverktøy på et fuktig sted, må du bruke en strømforsyning som er beskyttet med jordfeilbryter (RCD).** Bruk av jordfeilbryter (RCD) reduserer risikoen for elektrisk støt.

3. Personlig sikkerhet

- Vær oppmerksom, pass på hva du gjør, og vis fornuft når du arbeider med et elektroverktøy. Ikke bruk et elektrisk verktøy dersom du er trøtt eller er påvirket av medikamenter, narkotika eller alkohol.** Ett øyeblikks uoppmerksomhet under bruk av elektriske verktøy kan føre til alvorlig personskade.
 - Bruk personlig verneutstyr. Bruk alltid vernebriller.** Verneutstyr slik som støvmaske, skliskre vernesko, hjelm, eller hørselsvern brukt under passende forhold vil redusere personskader.
 - Forhindre utilsiktet start. Kontroller at bryteren står i posisjon «av» før du kobler til strømkilden og/eller batteripakken, og før du tar opp eller bærer verktøyet.** Å bære elektriske verktøy med fingeren på bryteren eller å sette inn støpselet mens elektriske verktøy har bryteren på øker faren for ulykker.
 - Fjern eventuelt innstillingsverktøy eller skruverktøy før du slår på elektroverktøyet.** Et skruverktøy eller en nøkkel som fortsatt er festet til en roterende del av elektroverktøyet, kan føre til personskade.
 - Ikke strekk deg for langt. Ha godt fotfeste og stå støtt hele tiden.** Dette fører til at du har bedre kontroll over det elektriske verktøyet ved uventede situasjoner.
 - Bruk egnede klær. Ikke ha på deg løstsittende klær eller smykker. Hold hår og klær borte fra bevegelige deler.** Løstsittende klær, smykker og langt hår kan bli fanget opp av bevegelige deler.
 - Hvis det kan monteres støvavsug- og oppsamlingsinnretninger, må du forvise deg om at disse er tilkoblet og brukes på riktig måte.** Bruk av støvoppsamlere kan redusere støvrelaterte farer.
 - Ikke la erfaring med hyppig bruk av verktøy la deg bli likegyldig og ignorere verktøyet sine sikkerhetsregler.** En uforsiktig handling kan føre til alvorlig personskade på brøkdelen av et sekund.
- #### 4. Bruk og stell av elektriske verktøy
- Ikke bruk makt på elektroverktøyet. Bruk det elektriske verktøyet som situasjonen krever.** Det riktige elektriske verktøyet vil gjøre jobben bedre og tryggere ved den hastigheten det ble konstruert for.
 - Ikke bruk elektroverktøyet hvis du ikke kan slå det på og av med bryteren.** Ethvert elektrisk verktøy som ikke kan kontrolleres med bryteren er farlig og må repareres.

- c. **Koble støpselet fra strømkilden og/eller koble fra batteripakken, hvis den er avtakbar, fra elektroverktøyet før du foretar noen justeringer, endrer tilbehør eller lagrer elektroverktøy.** Slike preventive sikkerhetsforanstaltninger reduserer risikoen for å starte det elektriske verktøyet ved et uhell.
- d. **Elektroverktøy som ikke er i bruk, må oppbevares utilgjengelig for barn. Ikke la verktøyet bli brukt av personer som ikke er fortrolige med det, eller som ikke kjenner disse instruksjonene.**
Elektriske verktøy er farlige i hendene på utrenede brukere.
- e. **Sørg for vedlikehold av elektroverktøy og tilbehør. Undersøk om bevegelige deler er feiljustert eller blokkert, om deler er skadet, og om det er andre forhold som kan påvirke elektroverktøyets funksjon. Dersom det er skadet, få verktøyet reparert før neste bruk.** Mange ulykker forårsakes av dårlig vedlikeholdte verktøy.
- f. **Hold skjæreverktøy skarpe og rene.** Godt vedlikeholdte skjæreverktøy med skarpe skjærekanter setter seg mindre sannsynlig fast og er lettere å kontrollere.
- g. **Bruk elektroverktøy, tilbehør, bor osv. i henhold til disse instruksjonene. Ta hensyn til arbeidsforholdene og arbeidet som skal utføres.**
Bruk av det elektriske verktøyet for oppgaver som er forskjellige fra de som er tiltenkt kan føre til en farlig situasjon.
- h. **Hold håndtakene og gripeflatene tørre, rene og frie for olje og fett.** Glatte håndtak og gripeflater forhindrer trygg håndtering og kontroll av verktøyet i uventede situasjoner.
5. **Bruk og stell av batteriverktøy**
- a. **Ladningen skal bare skje med den laderen som produsenten har spesifisert.** En lader som passer for en type batteripakke kan føre til risiko for brann dersom den brukes på en annen batteripakke.
- b. **Bruk elektroverktøy bare sammen med spesifikt angitte batteripakker.** Bruk av andre batteripakker kan føre til risiko for personskade og brann.
- c. **Når batteripakken ikke er i bruk, må du oppbevare den atskilt fra andre metallgjenstander som binders, mynter, nøkler, spiker, skruer eller andre små metallgjenstander som kan opprette en forbindelse fra en terminal til en annen.** Kortslutning av batteripolene mot hverandre kan føre til brannskader eller brann.
- d. **Ved feilaktig bruk kan det komme væske ut av batteriet, unngå kontakt med den. Dersom du kommer i kontakt med den, skyl av med vann. Dersom du får væsken i øynene, søk legehjelp.** Væske som kommer ut av batteriet kan føre til irritasjon eller brannskader.
- e. **Ikke bruk en batteripakke eller verktøy som er skadet eller modifisert.**

Skadede eller modifiserte batterier kan utvise utilregnelig oppførsel som kan føre til brann, eksplosjon eller personskade.

- f. **Ikke utsett en batteripakke eller verktøyet for ild eller for høy temperatur.** Ild eller temperatur over 130 °C kan føre til eksplosjon. MERK: Temperaturen "130 °C" kan erstattes av temperaturen "265 °F".
- g. **Følg alle ladeanvisningene og ikke lade batteripakken utenfor det spesifiserte temperaturområdet som angitt i anvisningen.** Feilaktig lading eller lading utenfor det spesifiserte temperaturområdet kan skade batteriet eller føre til brann.
6. **Service**
- a. **Elektroverktøyet skal repareres av kvalifisert personell og bare med originale reservedeler.** Dette vil sikre at verktøyets sikkerhet blir ivaretatt.
- b. **Skadede batteripakker skal aldri repareres.** Service på batteripakker skal kun utføres av produsenten eller autoriserte serviceverksteder.

Ekstra sikkerhetsanvisninger for trådløs stiftemaskin

- ◆ **Bruk alltid vernebriller.**
- ◆ **Bruk alltid hørselvern.**
- ◆ **Bruk kun stifter av typen som er beskrevet i bruksanvisningen.**
- ◆ **Ikke bruk et stativ for å montere verktøyet til en støtte.**
- ◆ **Ikke demonter eller blokkér noen del av skrutrekkerverktøyet slik som kontaktutløseren.**
- ◆ **Før bruk skal du alltid sjekke sikkerheten og utløsermekanismen fungerer skikkelig og at alle skruer og muttere sitter godt fast.**
- ◆ **Ikke bruk verktøyet som hammer.**
- ◆ **Ikke bruk verktøyet i en stige.**
- ◆ **Du skal aldri peke stiftemaskinen mot deg selv eller andre.**
- ◆ **Mens du jobber skal du holde verktøyet på en slik måte at ingen skader kan oppstå mot hodet eller kroppen i tilfeller av mulig rekyl forårsaket av at strømforsyningen blir brutt eller harde områder inne i arbeidsstykket.**
- ◆ **Du skal aldri skyte med stiftemaskinen ut i luften.**
- ◆ **På arbeidsområdet skal du skal alltid bære verktøyet i ett håndtak og aldri med utløseren aktivert.**
- ◆ **Du skal alltid ta hensyn til forholdene på arbeidsstedet hvor stifter kan trenge inn i tynne overflater eller skli av hjørner og kanter av overflater og således sette mennesker i fare.**
- ◆ **Du skal ikke feste stifter nær kanten på arbeidsstykket.**
- ◆ **Du skal ikke feste spiker oppå andre spikere.**
- ◆ **Gå alltid ut fra at verktøyet inneholder stifter/spikere.**

Uforsiktig håndtering av spikerpistolen kan føre til at spikere avfyres og til personskader.

- ◆ **Ikke rett verktøyet mot deg selv eller andre personer i nærheten.** Utilisikket innrykking av avtrekkeren vil avfyre spiker og kan føre til personskade.
- ◆ **Ikke aktiver verktøyet før det er plassert tett inntil arbeidsstykket.** Hvis verktøyet ikke har god kontakt med arbeidsstykket, kan stiften/spikeren skytes ut og bort fra festestedet.
- ◆ **Koble verktøyet fra strømkilden hvis stifter/spikere setter seg fast i verktøyet.** Når en fastlåst spiker skal fjernes kan spikerpistolen aktiveres utilisikket dersom den er pluggert inn.
- ◆ **Ikke bruk stiftmaskinen til festing av elektriske ledninger.** Den er ikke konstruert for installering av elektriske kabler og kan skade isolasjonen på el-kabler og dermed forårsake elektrisk støt eller brann.

Merking på produktet

De følgende symbolene sammen med datokode vises på verktøyet:



Advarsel! Brukeren må lese håndboken for å redusere risikoen for personskade.

Vibrasjon

Nivået for vibrasjonsutslipp angitt i dette informasjonsbladet er blitt målt iht. standardiserte tester gitt i EN60745 og kan brukes til å sammenligne ett verktøy med et annet. Det kan brukes til forberedende vurdering av eksponering.

ADVARSEL: Angitt nivå for vibrasjonsutslipp og/eller støynivå gjelder for hovedbruksområdene for verktøyet. Dersom verktøyet brukes i andre bruksområder, med annet tilbehør eller er dårlig vedlikeholdt, kan vibrasjonsutslippene og/eller støynivået avvike. Dette kan øke eksponeringsnivået betydelig for hele arbeidsperioden.

En vurdering av nivået for vibrasjonseksponeringen og/eller støynivået bør også tas med i beregningen når verktøyet er slått av eller når det går uten faktisk å gjøre en jobb.

Viktige sikkerhetsinstruksjoner for alle verktøy med integrert batteri

Advarsel! Les alle sikkerhetsvarsler, instruksjoner og advarsler for batteriet, lader og produktet. Manglende overholdelse av advarslene og instruksjonene kan resultere i elektrisk sjokk, brann og/eller alvorlig skade.

- ◆ Tving ALDRI et ladestøpsel inn i verktøyet.
- ◆ IKKE modifierer et ladestøpsel på en ikke-kompatibel lader på noen måte for å få det til å passe i verktøyet, da batteriet kan sprekke og føre til personskader.

- ◆ IKKE lade eller bruk batteriet i eksplosive omgivelser, slik som i nærheten av brennbare væsker, gasser eller støv.
 - Innsetting eller uttak av ladestøpslet på verktøyet kan antenne støvet eller gassen.
- ◆ Lad kun batteriet med den medfølgende ladekabelen og en passende strømkilde av klasse 2.
- ◆ IKKE sprut på eller senke ned i vann eller andre væsker.
- ◆ IKKE la vann eller annen væske komme inn i verktøyet.
- ◆ IKKE lagre eller bruk batteriet på steder der temperaturen kan nå eller overstige 40 °C (104° F) (som skur eller metallbygg om sommeren). For best levetid, lagre på et kjølig tørt sted.
- ◆ Ikke lagre verktøyet mens bryteren er i låst-på stilling. Ikke tape bryteren i stillingen PÅ.
- ◆ Verktøyet SKAL IKKE brennes selv om den er alvorlig skadet eller helt utslitt. Batteriet kan eksplodere i brann. Giftige gasser og materialer dannes dersom lithium-ion batterier brennes.
- ◆ Dersom batteriets innhold kommer i kontakt med huden, vask området straks med mildt såpevann. Dersom du får batterivæske i øyet, skyll øyet med vann i 15 minutter eller til irritasjonen gir seg. Dersom det trengs medisinsk hjelp, informer om at batteriets elektrolytt består av organiske karbonater og lithiumsalter.
- ◆ Innholdet av et åpent batteri kan føre til irritasjon av pusteorganene. Sørg for frisk luft. Dersom symptomene vedvarer, søk legehjelp.
- ◆ Batterivæskan kan være brennbar dersom den utsettes for gnister eller flammer.
- ◆ Forsøk aldri å åpne verktøyet, uansett grunn. Dersom verktøyet er sprukket eller skadet, ikke lad opp. Ikke knus, slipp i gulvet eller skade verktøyet. Ikke bruk et verktøy eller lader som har fått et slag, er mistet i gulvet, påkjørt eller skadet på annen måte (f.eks. gjennomboret av en spiker, slått med hammer, tråkket på). Skadede verktøy skal leveres til servicesenteret for gjenvinning.

Anbefalinger for lagring

Det beste lagringsstedet er kjølig og tørt, uten direkte sollys og uten sterk kulde eller varme.

Lagre fullt oppladet verktøy frakoblet laderen.

Transport

Merk: Verktøy med integrerte Li-ion batterier skal ikke sendes i innsjokket bagasje og skal beskyttes ordentlig mot kortslutning dersom de tas med i håndbagasjen på fly.

Viktige sikkerhetsinstruksjoner for alle verktøy med integrert batterilading

Advarsel! Les alle sikkerhetsvarsler, instruksjoner og advarsler for batteriet, -kabelen og produktet.

Manglende overholdelse av advarslene og instruksjonene kan resultere i elektrisk sjokk, brann og/eller alvorlig skade.

- ◆ Brukes kun med angitt/godkjent IT-utstyr (PC).
- ◆ KKE utsett ladekabelen for vann, regn eller snø.
- ◆ Trekk i støpselet og ikke i kabelen når du skal koble fra ladekabelen. Dette reduserer faren for skade på pluggen og kabelen.
- ◆ Påse at kabelen er plassert slik at den ikke trækkes på, snubles i, eller på annen måte utsettes for skade eller påkjenning.
- ◆ Finn alltid et tørt sted dersom du må lade verktøyet utendørs.
- ◆ IKKE bruk ladekabelen dersom ledningen eller pluggen er skadet. Få den straks skiftet ut.
- ◆ Fremmedlegemer av ledende art som, men ikke begrenset til, slipestøv, metallspån, aluminiumsfolie, og enhver oppbygging av metallpartikler skal holdes unna lade støpsler og ladeport.
- ◆ Trekk alltid ut ladekabelen fra strømforsyningen når den ikke er koblet til et verktøy.

Funksjoner

Dette apparatet inneholder noen av eller alle funksjonene nedenfor:

1. Utløser
2. Strømbryter
3. Ladeindikator/klar til bruk-LED
4. Kontaktutløser
5. Magasin
6. Magasin låseknapp
7. Vindu for stifter
8. Ladeport
9. Ladeledning

Montering

Advarsel! For å redusere risikoen for alvorlig personskade, slå av enheten og ikke rør av/på knappen før du foretar eventuelle justeringer eller fjerner/installerer tilleggsutstyr eller tilbehør. Utilsiktet oppstart kan føre til personskader.

Ladeprosedyre (Fig. A)

Advarsel! Ikke bruk verktøyet så lenge det er koblet til laderen.

- ◆ Sett ladestøpselet (9) i ladeporten (8).
- ◆ Plugg ladestøpselet i en ladeport (for eksempel på en PC).
- ◆ Ladeindikator LED (3) blinker rødt under ladingen.
- ◆ Ladeindikator-LED vil skifte til å lyse fast når ladingen er komplett.
- ◆ Batteriet kan forbli på lading eller laderen kan kobles fra.

Viktige merknader om lading

- ◆ Laderen og verktøyet kan være varme å ta på under lading.

Dette er normalt og er ikke et tegn på et problem. For å muliggjøre bedre kjøling av verktøyet etter bruk, unngå å oppbevare laderen eller verktøyet i varme omgivelser slik som et metallskur eller en uisolert tilhenger.

- ◆ Dersom verktøyet ikke lades ordentlig, lever verktøy og lader på ditt lokale servicesenter.
- ◆ Du kan også lade opp et delvis brukt batteri når som helst uten at det har noen effekt på verktøyet.

Montering og justering

Advarsel! For å redusere risikoen for alvorlig personskade, slå av enheten og ikke rør avtrekkeren før du foretar eventuelle justeringer eller fjerner/installerer tilleggsutstyr eller tilbehør. Utilsiktet oppstart kan føre til personskader.

Forberede verktøyet

Advarsel! Hold spikerpistolen vendt bort fra deg selv og andre. Dette kan resultere i alvorlig personskade.

Advarsel! For å redusere risikoen for alvorlige personskader, pass på at strømbryteren er i av-posisjon og hold hendene dine unna avtrekkeren og spikere fra magasinet før du foretar justeringer.

Advarsel! ALDRI spray eller på annen måte påfør smøremidler eller rengjøringsmidler inn i verktøyet. Dette kan kraftig redusere levetid og ytelse på verktøyet.

- ◆ Les sikkerhetsinstruksjonene i denne bruksanvisningen.
- ◆ Bruk vernebriller og hørselsvern.
- ◆ Forsikre deg om at magasinet 5 er helt tomt for stifter.
- ◆ Sett kontaktutløseren 4 mot arbeidsflaten for å sjekke myk og ordentlig funksjon av kontaktutløseren. Ikke bruk verktøyet dersom den ikke fungerer riktig. Bruk ALDRI et verktøy der kontaktutløseren er låst i utløserposisjon.
- ◆ Hold verktøyet vendt bort fra deg selv og andre.

Lade verktøyet (figur B)

Advarsel! Hold spikerpistolen vendt bort fra deg selv og andre. Dette kan resultere i alvorlig personskade.

Advarsel! Kontroller at bryteren står i posisjon "av" før lading eller tømning.

Advarsel! Du skal aldri fylle på verktøyet når kontaktutløseren eller avtrekkeren er aktivert. Det kan resultere i personskade. Generelt kompatibel med kraftige stifter med kronebredde 6 mm - 14 mm, 10,6 mm og 15 mm hodespikere.

- ◆ Klem på magasinlåsen (6) og trekk ut skyvemagasinet (5).
- ◆ Lad stifter/spikere. Pass på at stifter lades slik at kronen ligger an mot innvendig flate på magasinet.

Merk: Hodet på spikeren skal ligge an mot venstre, innvendig flate på magasinet. Magasinet kan ikke lukkes dersom de ligger an mot høyre side.

- ◆ Lukk skyvemagasinet til magasinlåsen klikker ordentlig på plass.

Lade ut verktøyet

Advarsel! Påse at strømbryteren er i AV-posisjon (0).

- ◆ Klem på magasinlåsen (6) og trekk ut skyvemagasinet (5).
- ◆ Vipp verktøyet til siden til stiftene kan skli fritt ut av bunnen på magasinet.
- ◆ Sjekk at det ikke er igjen løse stifter i magasinet.
- ◆ Lukk skyvemagasinet helt.

Fjerne en fastkilt stift

Hvis en stift setter seg fast i magasinet skal du holde verktøyet bort fra deg selv og følge disse instruksjonene for å fjerne den:

Advarsel! Kontroller at bryteren står i posisjon "av" før du forsøker å fjerne en fastkilt stift.

- ◆ Klem magasinlåsen (6) og ta ut alle ladede stifter.
- ◆ Se etter i magasinet (5) for eventuelle fastkilte stifter.
- ◆ Ta ut den bøydte stiften, bruk en tang om nødvendig.
- ◆ Sett inn igjen stifter i magasinet (se Lade verktøyet)

Bruk

Advarsel! For å redusere risikoen for alvorlig personskade, slå av enheten og ikke rør avtrekkeren før du foretar eventuelle justeringer eller fjerner/installerer tilleggsutstyr eller tilbehør. Utilsiktet oppstart kan føre til personskader.

Bruk av avtrekkeren (fig. C)

Advarsel! Bruk alltid tilfredsstillende syns- og hørselsvern når du bruker verktøyet.

Advarsel! Hold fingrer UNNA avtrekkeren når du ikke fester spiker. På denne måten unngår du unødvendig avfyring. Du skal ALDRI bære verktøyet med fingeren på avtrekkeren.

- ◆ Skyv strømbryteren (2) fra "O" til "I" for å slå på stiftmaskinen.
- ◆ Press kontaktutløseren (4) mot arbeidsflaten og den grønne indikatoren (3) vil tennes.
- ◆ Trekk i avtrekkeren (1) for å avfyre stift/spiker i arbeidsflaten.

Merk: Oppretthold trykk nedover helt til stiften/spikeren er drevet helt inn i arbeidsflaten.

- ◆ Slipp avtrekkeren.
- ◆ Løft kontaktutløseren av arbeidsflaten.
- ◆ Gjenta trinnene 1 til 4 for neste avfyring.

Merk: Kontaktutløseren må være trykket ned fulgt av et avtrekkerdrag for hver spiker fulgt av løsning av både kontaktutløseren og avtrekkeren etter hver spiker.

Korrekt håndstilling (figur D)

Advarsel! For å redusere faren for alvorlig personskade, skal du **ALLTID** ha hendene i korrekt posisjon, som vist.

Advarsel! For å redusere faren for alvorlig personskade, skal man **ALLTID** holde godt fast, for å være forberedt på en plutselig reaksjon.

Riktig håndstilling er å ha en hånd på hovedhåndtaket.

Vedlikehold

Ditt BLACK+DECKER -produkt er konstruert for å være i drift over lengre tid med et minimum av vedlikehold.

Kontinuerlig tilfredsstillende drift er avhengig av riktig stell og regelmessig renhold.

- ◆ Rengjør apparatet regelmessig med en ren, fuktig klut. Ikke bruk slipende eller løsemiddelbaserte rengjøringsmidler. La det aldri sive væske inn i apparatet, og senk aldri noen deler av apparatet ned i væske.

Tilbehør

Advarsel! Siden tilbehør annet enn det som tilbys av BLACK+DECKER ikke er testet med dette produktet, kan bruk av slikt tilbehør være farlig. For å redusere faren for skader, bør kun tilleggsutstyr som er anbefalt av BLACK+DECKER brukes sammen med dette produktet.

Anbefalt tilbehør for bruk med verktøyet kan kjøpes fra din lokale forhandler eller et autorisert servicesenter.

- ◆ TRA704T – 6 mm flattråd stift 10.6x 1,26 mm
- ◆ TRA705T – 8 mm flattråd stift 10.6x 1,26 mm
- ◆ TRA706T – 10mm flattråd stift 10.6x 1,26 mm
- ◆ TRA708T – 12mm flattråd stift 10.6x 1,26 mm
- ◆ TRA709T – 14mm flattråd stift 10.6x 1,26 mm
- ◆ SWK-BN0625T – 15 mm/5/8"18ga hodespikere J-type

Miljøvern



Separat avfallshåndtering. Produkter og batterier merket med dette symbolet skal ikke kastes i vanlig husholdningsavfall.

Produkter og batterier inneholder materialer som gjenbrukes eller gjenvinnes for å redusere behovet for nye råmaterialer.

Vennligst lever elektrisk utstyr og batterier til gjenbruk i henhold til lokale retningslinjer.

Mer informasjon finner du på www.2helpU.com

Tekniske data

		BCN115
Spenning	V_{DC}	3,6
Stiftestørrelse	mm	6 - 14
Hodespikere størrelse	mm	15
Vekt	kg	0,9

Lydtrykknivå i henhold til EN 660745:

Avgitt lydtrykknivå: (L_{PA}): 77 dB(A); K=3 dB(A);

Målt lydteffektnivå: (L_{WA}): 88 dB(A); K=3 dB(A);

Totale vibrasjonsverdier (triaks vektorsum) bestemt i samsvar med EN 60745:

Vibrasjonsnivå: (ah): 5,7 m/s², K=1,5 m/s².

NORSK

(Oversettelse av de opprinnelige instruksjonene)

(Oversættelse af de oprindelige instruktioner)

DANSK**EF-samsvarserklæring
MASKINDIREKTIVET**

BCN115 Håndverkstiftemaskin

Black & Decker erklærer at disse produktene, som er beskrevet under «Tekniske data», er i samsvar med:

2006/42/EC, EN60745-1:2009+A11:2010 and EN60745-2-16:2010. Disse produktene samsvarer også med direktivene 2014/30/EU and 2011/65/EU.

Hvis du ønsker mer informasjon, kan du kontakte Black & Decker på adressen under eller se baksiden av bruksanvisningen.

Undertegnede er ansvarlig for sammenstillingen av den tekniske filen og fremsetter denne erklæringen på vegne av Black & Decker.

Patrick Diepenbach
General Manager, Benelux
Black and Decker,
Egide Walschaertsstraat 14-18
2800 Mechelen, Belgia
15.12.2021

Garanti

Black & Decker er trygg på kvaliteten av produktene sine og tilbyr en 24 måneders garanti fra kjøpsdato. Denne garantierklæringen kommer i tillegg til dine lovbestemte rettigheter og er ikke i konflikt med disse. Garantien er gyldig innen områdene tilhørende medlemslandene i den Europeiske Union (EU) og det Europeiske Frihandelsområdet (EFTA).

For å ta garantien i bruk må kravet være i samsvar med kjøpsbetingelsene fra Black&Decker og du må vise kjøpskvittering til forhandleren eller til et autorisert serviceverksted.

Betingelsene for Black&Deckers 2 års garanti og adressen til din nærmeste autoriserte serviceverksted kan du finne på internett under www.2helpU.com, eller ved å kontakte ditt lokale Black & Decker kontor på adressen du finner i denne bruksanvisningen.

Besøk våre nettsider på www.blackanddecker.no for å registrere ditt nye BLACK+DECKER-produkt og for å få informasjon om nye produkter og spesialtilbud.

Tilsigdet bruk

Din BLACK+DECKER™ BCN115 trådløse hæftemaskine er designet til håndværksmessige formål. Dette produkt er kun beregnet til privat bruk. Ikke egnet til fastgjørelse af elektriske kabler.

Sikkerhedsinstruktioner**Generelle sikkerhedsadvarsler vedrørende elværkøjtøjt**

Advarsel! Læs alle sikkerhedsadvarsler, instruktioner, illustrationer og specifikationer, der følger med dette elværkøjtøjt. Hvis efterfølgende advarsler og instruktioner ikke følges, er der risiko for elektrisk stødt, brand og alvorlige kvæstelser.

Gem alle advarsler og instruktioner til fremtidig reference. Begrebet "elværkøjtøjt", der benyttes i nedenstående advarsler, henviser til netdrevet elværkøjtøjt (med netledning) eller batteridrevet elværkøjtøjt (uden netledning).

1. Sikkerhed i arbejdsområdet

- Hold arbejdsområdet rent og ordentligt oplyst.** Rodede eller mørke områder giver anledning til ulykker.
- Brug ikke elværkøjtøjt i eksplosive omgivelser, f.eks. hvor der er brændbare væsker, gasser eller støvt.** Elværkøjtøjt danner gnister, der kan antænde støvt eller dampe.
- Hold børn og andre personer i nærheden på afstand, når der arbejdes med elværkøjtøjt.** Distractioner kan medføre, at du mister kontrollen.

2. Elektricitet og sikkerhed

- Elværkøjtøjtets stik skal passe til kontakten. Stikket må aldrig modificeres på nogen måde.** Undlad at bruge adapterstik sammen med (jordforbundet) elektrisk værkøjtøjt. Umodificerede stik og dertil passende stikkontakter reducerer risikoen for elektrisk stødt.
- Undgå kropskontakt med jordforbundne overflader som f.eks. rør, radiatorer, komfurer og køleskabe.** Der er øget risiko for elektrisk stødt, hvis din krop er jordforbundet.
- Udsæt ikke elværkøjtøjt for regn, og brug det ikke, hvor omgivelserne er våde.** Hvis der trænger vand ind i et elektrisk værkøjtøjt, øges risikoen for elektrisk stødt.
- Pas på, at ledningen ikke beskadiges. Brug aldrig ledningen til at bære, trække værkøjtøjt eller trække det ud af stikkontakten.** Hold ledningen borte fra varme, olie, skarpe kanter og bevægelige dele. Beskadigede eller sammenfiltrede ledninger øger risikoen for elektrisk stødt.

- e. **Hvis elværktøj benyttes i det fri, skal der benyttes en forlængerledning, som er godkendt til udendørs brug.** Brug af en ledning, der er egnet til udendørs brug, reducerer risikoen for elektrisk stød.
- f. **Brug en strømkilde med fejlstrømsrelæ, hvis det er nødvendigt at anvende elværktøj på fugtige steder.** Ved at benytte en fejlstrømsafbryder reduceres risikoen for elektrisk stød.
3. **Personsikkerhed**
- a. **Vær opmærksom, hold øje med, hvad du laver og brug elværktøjet fornuftigt.** Betjen ikke værktøjet, hvis du er træt, påvirket af narkotika, alkohol eller medicin. Et øjeblik uopmærksomhed under anvendelse af et elektrisk værktøj kan forårsage alvorlige kvæstelser.
- b. **Brug personligt beskyttelsesudstyr. Bær altid beskyttelsesbriller.** Det er muligt at reducere risikoen for kvæstelser ved alt efter omstændighederne at anvende det passende sikkerhedsudstyr såsom en støvmaske, skridsikre sikkerhedssko, sikkerhedshjelm eller høreværn.
- c. **Træf forholdsregler, så utilsigtet start ikke er mulig. Kontrollér, at afbryderkontakten står på slukket, inden værktøjet tilsluttes strømkilden og/eller batteriet, samles op eller bæres.** Når elektrisk værktøj bæres med fingeren på kontakten eller tilsluttes, når kontakten er tændt, giver det anledning til ulykker.
- d. **Fjern indstillingsnøgle eller skruenøgle, inden elværktøjet startes.** En skruenøgle eller anden nøgle, der bliver siddende på en roterende del af elektrisk værktøj, kan give anledning til personskade.
- e. **Stræk dig ikke for langt. Hold hele tiden en god fodstilling og balance.** Dette udgør at du har bedre kontrol over det elektriske værktøj, når uventede situationer opstår.
- f. **Brug egnet arbejdstøj. Bær ikke løst tøj eller smykker.** Hold dit hår og tøj væk fra bevægelige dele. Løstsiddende tøj, smykker eller langt hår kan blive fanget i bevægelige dele.
- g. **Hvis der kan monteres støvudsugnings- og opsamlingsudstyr, skal dette tilsluttes og benyttes korrekt.** Anvendelse af støvopsamlingsudstyr kan begrænse farer forårsaget af støv.
- h. **Lad ikke kendskab fra hyppig brug af værktøjer gøre dig uforsigtig og få dig til at ignorere principperne for værktøjsikkerhed.** En uforsigtig handling kan forårsage alvorlig personskade på en brøkdelf af et sekund.
4. **Brug og vedligeholdelse af elværktøj**
- a. **Overbelast ikke elværktøjet. Brug det elværktøj, der er bedst egnet til det arbejde, der skal udføres.** Det korrekte elværktøj klarer opgaven bedre og mere sikkert med den effekt, som det er konstrueret til.
- b. **Brug ikke elværktøjet, hvis afbryderkontakten er defekt.** Alt elektrisk værktøj, der ikke kan kontrolleres med kontakten, er farligt og skal repareres.
- c. **Træk stikket ud af stikkontakten og/eller fjern batterienheden fra det elektriske værktøj, hvis det kan udtages, før det elektriske værktøj justeres, dets tilbehør udskiftes, eller det stilles til opbevaring.** Sådanne forebyggende sikkerhedsforanstaltninger mindsker risikoen for, at værktøjet startes utilsigtet.
- d. **Opbevar ubenyttet elværktøj uden for børns rækkevidde. Lad aldrig personer, der ikke er fortrolige med elværktøjet, eller som ikke har læst denne vejledning, benytte maskinen.** El-værktøj er farligt i hænderne på personer, som ikke er instrueret i brugen deraf.
- e. **Elværktøj og tilbehør skal vedligeholdes. Kontroller, om bevægelige dele er skæve og ikke sidder fast, og om delene er brækket eller beskadiget, så elværktøjets funktion påvirkes. Hvis det elektriske værktøj er beskadiget, skal det repareres før brug.** Mange ulykker er forårsaget af dårligt vedligeholdt værktøj.
- f. **Hold skæreværktøj skarpt og rent.** Ordentligt vedligeholdt skæreværktøj med skarpe skærekanter har mindre tilbøjelighed til at binde og er lettere at styre.
- g. **Brug elværktøjet, tilbehøret, værktøjsindsatser osv. i overensstemmelse med disse instruktioner under hensyntagen til arbejdsforholdene og arbejdet, der skal udføres med værktøjet.** Brug af elektrisk værktøj til andre opgaver end dem, det er beregnet til, kan resultere i en farlig situation.
- h. **Hold håndtagene og håndtagsfladerne tørre, rene og fri for olie og fedt.** Glatte håndtag og gribeflader giver ikke en sikker håndtering og kontrol af værktøjet i uventede situationer.
5. **Brug og pleje af batteriværktøj**
- a. **Genoplad kun med den oplader, som producenten har angivet.** En oplader, der passer til en type batteripakke, kan udgøre en risiko for brand, når den bruges til en anden type.
- b. **Elværktøj må kun bruges med batteripakker, der er beregnet hertil.** Brugen af andre batteripakker kan medføre personskade og brand.
- c. **Når batteripakken ikke er i brug, skal den holdes på afstand af andre metalgenstande, f.eks. papirclips, mønter, nøgler, søm, skruer og andre små metalgenstande, som kan skabe forbindelse mellem de to poler.** Kortslutning af batteriet kan forårsage forbrændinger eller brand.
- d. **Under grove forhold kan væske sive ud fra batteriet; undgå kontakt. Hvis der opstår kontakt ved et uheld, skyl med vand.**

Hvis væske kommer ind i øjnene, søg omgående lægehjælp. Væske, der siver ud fra batteriet, kan fremkalde irritationer eller forbrændinger.

- e. **Brug ikke en batteripakke eller et værktøj, der er beskadiget eller modificeret** Beskadigede eller modificerede batterier kan udvise uforudsigelig adfærd, som resulterer i brand, eksplosion eller risiko for personskade.
- f. **Udsæt ikke en batteripakke eller et værktøj for åben ild eller for høj temperatur** Udsættelse for åben ild eller en temperatur over 130 °C kan forårsage eksplosion. BEMÆRK: Temperaturen „130 °C“ kan erstattes af temperaturen „265 °F“.
- g. **Følg alle opladningsvejledninger, og oplad ikke batteripakken eller værktøjet uden for det temperaturområde, der er angivet i vejledningen.** Hvis du oplader forkert eller ved temperaturer uden for det angivne område, kan du beskadige batteriet og øge risikoen for brand.
6. **Service**
- a. **Lad kun kvalificerede fagfolk reparere elværktøjet og benyt kun originale reservedele.** Derved sikres det, at værktøjets driftssikkerhed opretholdes.
- b. **Beskadigede batteripakker må aldrig serviceres.** Service af batteripakker bør kun udføres af producenten eller autoriserede serviceværksteder.

Ekstra sikkerhedsinstruktioner for trådløs hæftemaskine

- ◆ Brug altid sikkerhedsbriller.
- ◆ Brug altid høreværn.
- ◆ Brug altid kun de hæfteklamme-typer, der er angivet i vejledningen.
- ◆ Brug ikke nogen stativer ved montering af værktøjet til en holder.
- ◆ Adskil eller bloker ikke nogen dele af klamme-drivværktøjet som f.eks. kontaktudløseren.
- ◆ **U**Kontroller før hver handling, at sikkerheden og udløsermekanismen fungerer korrekt, og at alle møtrikker og bolte er strammede.
- ◆ Brug ikke værktøjet som en hammer.
- ◆ Brug ikke værktøjet på en stige.
- ◆ Ret aldrig et driftsklart klammedrivværktøj mod dig selv eller mod en anden person.
- ◆ Mens du arbejder, skal du holde værktøjet på en sådan måde, at der ikke kan opstå skader på dit hoved eller krop i tilfælde af en eventuel rekyl på grund af en afbrydelse af energiforsyningen eller hårde områder i arbejdsområdet.
- ◆ Aktiver aldrig klammedrivværktøjet i åbent rum.
- ◆ I arbejdsområdet skal værktøjet på arbejdspladsen

kun bæres med ét håndtag, og aldrig med aftrækkeren aktiveret.

- ◆ Tag hensyn til forholdene i arbejdsområdet, idet klammer kan trænge igennem tynde arbejdssemner eller glide på hjørner og kanter på arbejdsområdet, og kan dermed udsætte mennesker for fare.
- ◆ **Kør ikke klammer tæt til kanten på arbejdsområdet.**
- ◆ **Kør ikke klammer oven på andre klammer.**
- ◆ **Gå altid ud fra, at værktøjet indeholder klammer.** Skødesløs håndtering af sømpistolen kan medføre uventet udløsning af søm og personskader.
- ◆ **Ret ikke værktøjet mod dig selv eller omkringstående.** Uventet udløsning vil løsne sømmene og medføre personskade.
- ◆ **Aktiver ikke værktøjet, medmindre det er anbragt solidt helt op mod arbejdsområdet.** Hvis værktøjet ikke har kontakt, kan sømmet blive afbøjet væk fra målet.
- ◆ **Kobl værktøjet fra strømkilden, hvis sømmet eller klammen sidder fast i værktøjet.** Når du frigør et blokeret søm, kan sømpistolen blive aktiveret ved et uheld, hvis strømmen er tilsluttet.
- ◆ **Brug ikke dette værktøj til at fastgøre elledninger.** Det er ikke designet til montering af elledninger og kan beskadige isoleringen af elledninger og derved forårsage elektrisk stød eller brandrisiko.

Mærkatere på apparatet

Følgende symboler vises på værktøjet sammen med apparatet:



Advarsel! Brugeren skal læse brugervejledningen for at reducere risikoen for kvæstelser.

Vibration

Vibrations- og/eller støjemissionsniveauet, der er angivet i dette vejledningsark, er målt i overensstemmelse med en standardiseret test, der er angivet i EN60745 og kan anvendes til at sammenligne et værktøj med et andet. Det kan anvendes til en foreløbig eksponeringsvurdering.

ADVARSEL: Det angivne vibrations- og/eller støjemissionsniveau repræsenterer værktøjets hovedanvendelsesområder. Hvis værktøjet anvendes til andre formål, med andet tilbehør eller vedligeholdes dårligt, kan vibrations- og/eller støjemissionen imidlertid variere. Det kan markant forøge eksponeringsniveauet over den samlede arbejdsperiode.

Et estimat af eksponeringsniveauet for vibration og/eller støj bør også tage højde for de gange, hvor der slukkes for værktøjet, eller når det kører, men ikke bruges til arbejde.

Vigtige sikkerhedsinstruktioner for alle integrerende batterier

Advarsel! Læs alle sikkerhedsadvarsler, instruktioner og forsigtighedsmærkater for batteriet, opladeren og produktet. Manglende overholdelse af advarsler og instruktioner kan medføre elektrisk stød, brand og/eller alvorlig personskade.

- ◆ Tving ALDRIG et opladningsstik ind i værktøjet.
- ◆ Du må IKKE ændre opladerstikket på en ikke-kompatibel oplader på nogen måde, så det passer ind i værktøjet, da batteriet kan bryde og forårsage alvorlig personskade.
- ◆ Oplad eller brug IKKE batteriet i eksplosive omgivelser, f.eks. hvor der er brændbare væsker, gasser eller støv. Isætning eller udtagning af opladningsstikket fra værktøjet kan antænde støv eller dampe.
- ◆ Oplad kun batteriet med det medfølgende opladerkabel og en egnet klasse 2-strømforsyning.
- ◆ Sprøjt IKKE på den eller nedsænk den i vand.
- ◆ Lad IKKE vand eller nogen væske trænge ind i værktøjet.
- ◆ Opbevar eller brug IKKE værktøjet på steder, hvor temperaturen kan nå op på eller overstige 40 °C (som f.eks. uden for skure eller metalbygninger om sommeren). For bedste levetid skal værktøjet opbevares på et køligt og tørt sted.
- ◆ Opbevar ikke værktøjet, mens kontakten er låst til åben. Sæt aldrig kontakten fast i tændt position med tape.
- ◆ Brænd IKKE værktøjet, selv hvis det er alvorligt beskadiget eller er helt slidt op. Batterierne kan eksplodere på et bål. Der dannes giftige dampe og materialer, når lithium-ion-batterier brændes.
- ◆ Hvis indholdet af et batteri kommer i kontakt med huden, vask omgående området med mild sæbe og vand. Hvis batterivæske kommer i øjet, skyl med vand over det åbne øje i 15 minutter, eller indtil irritationen ophører. Hvis der er brug for lægehjælp, består batterielektrolytten af en blanding af flydende organiske carbonater og lithiumsalte.
- ◆ Indholdet af åbnede battericeller kan forårsage irritation af luftvejene. Sørg for frisk luft. Hvis symptomerne fortsætter, skal der søges lægehjælp.
- ◆ Batterivæske kan være brandfarlig, hvis den udsættes for gnister eller åben ild.
- ◆ Forsøg aldrig at åbne værktøjet af en eller anden grund. Oplad det ikke, hvis værktøjets hylster er revnet eller beskadiget. Undgå at mase, tabe eller beskadige værktøjet.
Anvend ikke et værktøj eller en oplader, der har fået et hårdt slag, er blevet tabt, kørt over eller blevet beskadiget på anden vis (f.eks. stukket med et søm, slået med en hammer eller trådt på). Beskadigede værktøjer bør sendes til servicecenteret til genbrug.

Anbefalinger for opbevaring

Det bedste opbevaringssted er et, der er køligt og tørt, væk fra sollys og fra stærk varme eller kulde.

Opbevar det fuldt opladede værktøj frakoblet opladeren.

Transport

Bemærk! Integrerende Li-ion-værktøjer bør ikke lægges i bagage, der tjekkes ind på fly, og skal beskyttes korrekt mod kortslutning, hvis de lægges i håndbagage.

Vigtige sikkerhedsinstruktioner for opladning af alle integrerende batterier

Advarsel! Læs alle sikkerhedsadvarsler, instruktioner og forsigtighedsmærkater for batteriet, kablet og produktet. Manglende overholdelse af advarsler og instruktioner kan medføre elektrisk stød, brand og/eller alvorlig personskade.

- ◆ Må kun bruges med det angivne/certificerede informationsteknologiske (computer) udstyr.
- ◆ Udsæt IKKE opladerkablet for vand, regn eller sne.
- ◆ Træk i stikkene i stedet for ledningen, når du trækker opladerkablet ud. Dette reducerer risikoen for beskadigelse af stikkene og ledningen.
- ◆ Kontrollér, at ledningen placeres, så der ikke trædes på den, faldes over den, eller den på anden måde udsættes for skader eller stress.
- ◆ Sørg altid for et tørt sted, når værktøjet oplades udendørs.
- ◆ Brug IKKE et beskadiget opladerkabel eller stik. Få dem udskiftet med det samme.
- ◆ Fremmede materialer af en ledende art som for eksempel, men ikke begrænset til slibestøv, metalspån, ståluld, aluminiumsfolie eller anden koncentration af metalliske partikler skal holdes på afstand af USB- og micro USB-stikkene og -portene.
- ◆ Træk altid opladerkablet ud af strømforsyningen, når der ikke er fastgjort noget værktøj til det.

Funktioner

Dette apparat leveres med nogle af eller alle følgende egenskaber:

1. Udløser
2. Tænd/sluk-kontakt
3. LED-indikator for opladning/klar til brug
4. Kontaktudløser
5. Magasin
6. Magasinudløsningsclips til frigivelse af magasin
7. Vindue til visning af hæftemaskine
8. Opladningsport
9. Opladerkabel

Samling

Advarsel! For at reducere risikoen for alvorlig personskade skal du slukke for apparatet og holde dig væk fra tænd/sluk-knappen, før du foretager justeringer eller fjerner/installerer tilbehør eller ekstraudstyr.

Start ved et uheld kan medføre personskaade.

Opladningsprocedure (fig. A)

Advarsel! Brug ikke værktøjet, mens det er tilsluttet laderen.

- ◆ Indsæt opladningsstikket (9) i opladningsporten (8).
- ◆ Sæt opladningsstikket i en opladningsport (f.eks. på en computer) eller en opladningsboks.
- ◆ Opladningsindikator-LED'en (3) blinker rødt under opladning.
- ◆ LED-indikatoren for opladning skifter til konstant grønt lys, når den er fuldt opladet.
- ◆ Batteriet kan efterlades opladet, eller opladeren kan frakobles.

Vigtige bemærkninger om opladning

- ◆ Opladeren og værktøjet kan blive varme at røre ved, mens de oplades.
Dette er normalt og angiver ikke et problem. For at lette køling af værktøjet efter brug bør du undgå at placere værktøjet i varme omgivelser, som f.eks. i et metalskur eller i en uisoleret trailer.
- ◆ Hvis værktøjet ikke lades korrekt op, bør du tage værktøjet og opladeren hen til dit lokale servicecenter.
- ◆ Du kan oplade et delvist brugt batteri, når du ønsker det, uden nogen negativ indflydelse på værktøjet.

Samling og justeringer

Advarsel! For at reducere risikoen for alvorlig personskaade skal du slukke for apparatet og holde dig væk fra tænd Udløser knappen, før du foretager justeringer eller fjerner/ installerer tilbehør eller ekstraudstyr. Start ved et uheld kan medføre personskaade.

Forberedelse af værktøjet

Advarsel! Sørg for at værktøjet vender væk fra dig selv og andre. Det kan resultere i alvorlig personskaade.

Advarsel! For at reducere risikoen for alvorlig personskaade skal du sikre dig, at afbryderen er slukket, holde hænderne væk fra aftrækkeren og fjerne hæfteklammer og søm fra magasinet, før du foretager justeringer.

Advarsel! Spray ALDRIG eller anvend på nogen måde smøremidler eller rengøringsmidler inde i værktøjet. Dette kan få en alvorlig indvirkning på værktøjets levetid og ydeevne.

- ◆ Læs afsnittet om sikkerhedsinstruktioner i denne betjeningsvejledning.
- ◆ Bær sikkerhedsbriller og høreværn.
- ◆ Kontroller, at magasinet 5 er helt tomt.
- ◆ Anbring kontaktudløser 4 på arbejdsflade for at se efter, at kontaktudløseren fungerer problemfrit og korrekt. Brug ikke værktøjet, hvis det ikke fungerer korrekt. Brug ALDRIG et værktøj, hvis dens kontaktudløser er fastspændt i den aktiverede position.
- ◆ Sørg for, at sømpistolen vender væk fra dig selv og andre.

Fyldning af værktøjet (fig. B)

Advarsel! Sørg for at værktøjet vender væk fra dig selv og andre. Det kan resultere i alvorlig personskaade.

Advarsel! Sørg altid for, at afbryderen er i slukket position, før du opfylder eller tømmer.

Advarsel! Påfyld aldrig klammer/søm med aktiveret kontaktudløser eller startknap. Det kan resultere i personskaade.

Universal kompatibilitet med kraftige hæfteklammer 6 mm-14 mm, 10,6 mm kronebredde og 15 mm søm.

- ◆ Klem magasinudløsningsclipsen (6) sammen, og træk magasinet (5) ud.
- ◆ Ilæg klammer. Sørg for, at klammer/søm er ilagt således, at klammekronen eller sømhovedet hviler mod magasinets indvendige overflade.

Bemærk: Sømhovedet skal hvile mod den venstre, indvendige overflade af magasinet. Hvis det lægges i på den højre side, kan magasinet ikke lukkes.

- ◆ Luk glidemagasinet, indtil magasinlåsen klemmes godt fast.

Tømning af værktøjet

Advarsel! Kontroller, at tænd/sluk-kontakten er i OFF-(0) position.

- ◆ Klem magasinudløsningsclipsen (6) sammen, og træk magasinet (5) ud.
- ◆ Vip værktøjet til siden, indtil klammer/søm glider frit ud af bunden af magasinet.
- ◆ Se efter for at sikre, at der ikke er løse klammer/søm tilbage i magasinet.
- ◆ Luk glidemagasinet helt.

Fjernelse af en fastsiddende klamme

Hvis et klamme sidder fast i næsestykket, hold værktøjet således at det peger væk fra dig og følg disse instruktioner for at fjerne det:

Advarsel! Sørg altid for, at afbryderen er i slukket position, før du lader eller fjerner en fastsiddende klamme

- ◆ Tryk på magasinlåsen (6) og fjern ilagte klammer.
- ◆ Se indermagasinet visuelt efter (5) for ilagte klammer.
- ◆ Tag det bøjede søm ud, brug om nødvendigt tænger.
- ◆ Læg igen klammer/søm i magasinet (se Fyldning af værktøjet).

Betjening

Advarsel! For at reducere risikoen for alvorlig personskaade skal du slukke for apparatet og holde dig væk fra tænd Udløser knappen, før du foretager justeringer eller fjerner/ installerer tilbehør eller ekstraudstyr. Start ved et uheld kan medføre personskaade.

Udløserfunktion (fig. C)

Advarsel! Bær altid korrekt øjen- og høreværn, når du bruger værktøjet.

Advarsel! Hold fingrene PÅ AFSTAND af startknappen, når der ikke køres søm, for at undgå utilsigtet afgivning af søm. Bær ALDRIG værktøjet med en finger på udløseren.

- ◆ Tryk på afbryderen (2) fra "O" til "I" for at tænde hæftemaskinen.
- ◆ Tryk kontaktudløseren (4) helt ned mod arbejdsfladen, og den grønne indikator (3) skal lyse op.
- ◆ Træk startknappen (1) for at drive sømmet ind i arbejdsfladen.

Bemærk: Hold det nedadrettede tryk på arbejdsfladen, indtil sømmet er drevet helt ind i arbejdsfladen.

- ◆ Slip startknappen.
- ◆ Løft kontaktudløseren op fra arbejdsfladen.
- ◆ Gentag trin 1 til 4 ved næste anvendelse.

Bemærk: Kontaktudløseren skal være trykket ned efterfulgt af et komplet udløserstød for hvert søm, efterfulgt af en udløsning af kontaktudløseren og udløseren efter hvert søm.

Korrekt håndposition (Fig. D)

Advarsel! For at reducere risikoen for alvorlig personskade skal du **ALTID** anvende den rette håndposition som vist.

Advarsel! For at reducere risikoen for alvorlig personskade skal du **ALTID** holde godt fast i tilfælde af en pludselig reaktion.

Korrekt håndposition kræver en hånd på hovedhåndtaget.

Vedligeholdelse

Dit BLACK+DECKER-udstyr er beregnet til brug gennem lang tid med et minimum af vedligeholdelse. Vedvarende tilfredstillende funktion er afhængig af, om værktøjet plejes korrekt og rengøres regelmæssigt.

- ◆ Rens med jævne mellemrum værktøjet med en fugtig klud. Der må ikke bruges skuremidler eller opløsningsmidler. Lad aldrig væske trænge ind i værktøjet, og nedsænk aldrig nogen del af værktøjet i væske.

Tilbehør

Advarsel! Da andet tilbehør end det, som stilles til rådighed af BLACK+DECKER, ikke er afprøvet med dette produkt, kan det være farligt at bruge sådant tilbehør med dette værktøj. For at mindske risikoen for personskade må dette produkt kun anvendes med tilbehør, som anbefales af BLACK+DECKER. Du kan købe det anbefalede tilbehør til dit værktøj hos din lokale forhandler eller autoriserede servicecenter.

- ◆ TRA704T – 6 mm Fladtråds-hæfteklamme 10,6 x 1,26 mm
- ◆ TRA705T – 8 mm Fladtråds-hæfteklamme 10,6 x 1,26 mm
- ◆ TRA706T – 10 mm Fladtråds-hæfteklamme 10,6 x 1,26 mm
- ◆ TRA708T – 12 mm Fladtråds-hæfteklamme 10,6 x 1,26 mm
- ◆ TRA709T – 14 mm Fladtråds-hæfteklamme 10,6 x 1,26 mm
- ◆ SWK-BN0625T – 15 mm/5/8"18ga søm J-type

Miljøbeskyttelse



Særskilt bortskafløse. Produkter og batterier mærket med dette symbol må ikke bortskafløses sammen med normalt husholdningsaffald.

Produkter og batterier indeholder materialer, der kan genvindes eller genbruges og således reducere efterspørgslen efter råvarer.

Genbrug venligst elektriske produkter og batterier i henhold til lokale bestemmelser.

Yderligere informationer findes på www.2helpU.com

Tekniske data

		BCN115
Spænding	V_{DC}	3,6
Klammestørrelse	mm	6 - 14
Sømostørrelse	mm	15
Vægt	kg	0,9

Lydtrykniveau i henhold til EN 660745:

Lydtrykniveau for emission: (L_{pa}): 77 dB(A); K=3 dB(A);

Målt lydeffektniveau: (L_{WA}): 88 dB(A); K=3 dB(A);

Samlede værdier for vibration (triaksial vektorsum) i henhold til EN 60745:

Vibrationsniveau: (ah): 5,7 m/s²; K=1,5 m/s²

EF-overensstemmelseserklæring

MASKINDIREKTIV



BCN115 Håndværks-hæftemaskine

Black & Decker erklærer, at produkterne beskrevet under "Tekniske data" er i overensstemmelse med: 2006/42/EC, EN60745-1:2009+A11:2010 and EN60745-2-16:2010. Disse produkterne er også i overensstemmelse med direktiver 2014/30/EU and 2011/65/EU.

Kontakt Black & Decker på nedenstående adresse eller se vejledningen bagside for at få yderligere oplysninger. Undertegnede er ansvarlig for kompilering af den tekniske fil og udsteder denne erklæring på vegne af Black & Decker.

Patrick Diepenbach

Patrick Diepenbach
General Manager, Benelux
Black and Decker,
Egide Walschaertsstraat 14-18
2800 Mechelen, Belgium
15-12-2021

Garanti

Black & Decker er overbevist om den gode kvalitet af sine produkter og giver forbrugerne en garanti på 24 måneder fra købsdatoen. Garantien er et tillæg til forbrugerens lovmæssige rettigheder og påvirker ikke disse. Garantien er gyldig inden for medlemsstaterne af Den Europæiske Union og Det Europæiske Frihandelsområde.

Når du gør krav på garantien, skal kravet være i overensstemmelse med Black&Decker vilkår og betingelser, og du skal indsende dokumentation for købet til sælgeren eller til en autoriseret reparatør.

Vilkår og betingelser for Black & Decker 2 års garanti og placeringen af dit nærmeste autoriserede serviceværksted kan fås på internettet på www.2helpU.com, eller ved at kontakte dit lokale Black & Decker kontor på den adresse, der er angivet i denne vejledning.

Besøg venligst vores websted www.blackanddecker.co.uk for at registrere dit nye BLACK+DECKER produkt og modtage opdateringer om nye produkter og specielle tilbud.

Käyttötarkoitus

Langaton BLACK+DECKER™ BCN115 -nitija on tarkoitettu käsityösovelluksiin. Tuote on tarkoitettu ainoastaan kotikäyttöön. Ei sovi sähköjohtojen kiinnittämiseen.

Turvallisuusohjeet

Sähkötyökalujen yleiset turvavaroitukset



Varoitus! Lue kaikki tämän sähkötyökalun mukana toimitetut varoitukset, käyttöohjeet ja tekniset tiedot. Alla olevien varoitusten ja ohjeiden noudattamisen laiminlyönti saattaa johtaa sähköiskuun, tulipaloon ja/tai vakavaan loukkaantumiseen.

Säästä kaikki varoitukset ja ohjeet tulevaa käyttöä varten. Ohjeissa käytetty käsite "sähkötyökalu" tarkoittaa verkkokäyttöisiä sähkötyökaluja (verkkojohdolla varustettuja) ja akkukäyttöisiä sähkötyökaluja (ilman verkkojohtoa).

1. Työalueen turvallisuus

- Pidä työalue puhtaana ja hyvin valaistuna.** Onnettomuuksia sattuu herkemmin epäsiistissä tai huonosti valaistussa ympäristössä.
- Älä käytä sähkötyökalua räjähdysalttiissa ympäristössä, jossa on syttyvää nestettä, kaasua tai pölyä.** Sähkötyökalujen aiheuttamat kipinät voivat sytyttää pölyn tai kaasut.
- Pidä lapset ja sivulliset loitolla sähkötyökalua käyttäessäsi.** Keskittymiskyvyn herpaantuminen voi aiheuttaa hallinnan menettämisen.

2. Sähköturvallisuus

- Sähkötyökalun pistokkeen on sovittava pistorasiaan. Älä koskaan tee pistokkeeseen mitään muutoksia. Älä yhdistä maadoitettua sähkötyökalua jatkojohtoon.** Sähköiskun vaara vähenee, jos pistokkeisiin ei tehdä muutoksia ja ne yhdistetään vain niille tarkoitettuihin pistorasioihin.
- Vältä koskettamasta maadoitettuja pintoja, kuten putkia, lämpöpattereita, liesiä tai jääkaappeja.** Voit saada sähköiskun, jos kehosi on maadoitettu.
- Älä altista sähkötyökalua sateelle tai kosteudelle.** Sähkötyökaluun menevä vesi lisää sähköiskun vaaraa.
- Älä käsittele virtajohtoa kovakouraisesti. Älä kannata työkaluja sähköjohdosta tai vedä pistoketta pistorasiasta sähköjohdon avulla. Pidä sähköjohto kaukana kuumuudesta, öljystä, terävistä reunoista tai liikkuvista osista.** Vaurioituneet tai sokeutuneet johdot lisäävät sähköiskun vaaraa.
- Käyttäessäsi sähkötyökalua ulkona käytä ainoastaan ulkokäyttöön soveltuvaa jatkojohtoa.** Ulkokäyttöön tarkoitettun sähköjohdon käyttäminen vähentää sähköiskun vaaraa.
- Jos sähkötyökalua on välttämättä käytettävä kosteassa paikassa, käytä vikavirtasuojalla (RCD) suojattua virtalähdettä.** Tämä vähentää sähköiskun vaaraa.

3. Henkilöturvallisuus

- Ole valpas, keskity työhön ja noudata tervettä järkeä sähkötyökalun käytössä.** Älä käytä tätä työkalua ollessasi väsynyt tai alkoholin, huumeiden tai lääkkeiden vaikutuksen alaisena. Keskittymisen herpaantuminen hetkeksikin sähkötyökalua käytettäessä voi aiheuttaa vakavan henkilövahingon.
- Käytä henkilökohtaisia suojavarusteita. Käytä aina suojalaseja.** Hengityssuojaimen, liukumattomien turvajalkineiden, kypärän ja kuulonsuojaimen käyttäminen vähentää henkilövahinkojen vaaraa.
- Vältä tahatonta käynnistämistä. Varmista, että kytkin on OFF-asennossa, ennen kuin liität laitteen virtalähteeseen ja/tai akkuun, nostat laitteen tai kannat sitä.** Sähkötyökalun kantaminen sormi virtakytkimellä lisää onnettomuusvaaraa.
- Irrota mahdollinen säätö- tai kiintoavain ennen kuin käynnistät sähkötyökalun.** Sähkötyökalun pyöriivään osaan kiinni jäänyt avain voi johtaa loukkaantumiseen.
- Älä kurkota.** Huolehdi siitä, että sinulla on koko ajan tukeva jalansija ja hyvä tasapaino. Näin voit hallita sähkötyökalua paremmin odottamattomissa tilanteissa.
- Käytä tarkoitukseen soveltuvia vaatteita. Älä käytä löysiä vaatteita tai koruja. Pidä hiukset ja vaatteet loitolla liikkuvista osista.** Löysät vaatteet, korut tai pitkät hiukset voivat tarttua liikkuviin osiin.

- g. Jos työkalun voi liittää polyimuriin, tarkista, että liitos on tehty asianmukaisesti ja että laitteita käytetään oikealla tavalla.** Pölyn ottaminen talteen voi vähentää pölyn aiheuttamia vaaroja.
- h. Vaikka käyttäisit usein työkaluja ja sinulla olisi niistä hyvä tuntemus, älä jätä lukematta työkalun turvallisuusohjeita.** Huolimattomuus voi johtaa vakaviin henkilövahinkoihin jopa sekunnin murto-osassa.
- 4. Sähkötyökalujen käyttö ja hoito**
- a. Älä yliuormita sähkötyökalua. Valitse käyttötarkoituksen kannalta oikea sähkötyökalu.** Sähkötyökalu toimii paremmin ja turvallisemmin, kun sitä käytetään sille suunniteltuun käyttötarkoitukseen.
- b. Älä käytä sähkötyökalua, jota ei voida käynnistää ja pysäyttää virtakytkimestä.** Jos sähkötyökalua ei voi hallita kytkimen avulla, se on vaarallinen ja se on korjattava.
- c. Katkaise sähkötyökalusta virta ja irrota sen pistoke pistorasiasta tai irrota akku siitä ennen säätämistä, varusteiden vaihtamista tai sähkötyökalun asettamista säilytykseen.** Näin voit vähentää vahingossa käynnistymisen aiheuttaman henkilövahingon vaaraa.
- d. Säilytä sähkötyökalut poissa lasten ulottuvilta, kun niitä ei käytetä. Älä anna sähkötyökalua sellaisen henkilön käyttöön, joka ei tunne sitä tai joka ei ole tutustunut tähän käyttöohjeeseen.** Sähkötyökalut ovat vaarallisia kouluttamattomien käyttäjien käsissä.
- e. Hoida sähkötyökaluasi ja lisävarusteita huolella. Tarkista, että liikkuvat osat toimivat moitteettomasti ja etteivät ne ole murtuneita tai vahingoittuneita osia, jotka saattaisivat vaikuttaa haitallisesti sen toimintaan. Jos havaitset vaurioita, korjauta sähkötyökalu ennen niiden käyttämistä.** Huonosti kunnossapidetyt sähkötyökalut aiheuttavat onnettomuuksia.
- f. Pidä leikkausterät terävinä ja puhtaina.** Kunnossa pidettyjen leikkaavien teräviä reunoja sisältävien työkalut todennäköisyys jumiutua vähenee, ja niitä on helpompi hallita.
- g. Käytä sähkötyökaluja, tarvikkeita, vaihtoteriä yms. näiden ohjeiden mukaisesti. Ota tällöin huomioon työolosuhteet ja suoritettava toimenpide.** Jos sähkötyökalua käytetään näiden ohjeiden vastaisesti, voi syntyä vaaratilanne.
- h. Pidä kahvat ja kädensijat kuivina ja puhtaina öljystä ja rasvasta.** Liukkaat kahvat ja kädensijat estävät työkalun turvallisen käsittelyn ja hallinnan odottamattomissa tilanteissa.
- 5. Akkutyökalun käyttö ja huolto**
- a. Lataa akku vain valmistajan määrittelemällä laturilla.** Laturi, joka on sopiva yhden tyyppiselle akulle, voi aiheuttaa tulipalon vaaran, jos sitä käytetään toisen tyyppisellä akulla.
- b. Käytä sähkötyökalussa ainoastaan kyseiseen sähkötyökaluun tarkoitettua akkua.** Muun tyyppisen akun käyttö saattaa johtaa loukkaantumiseen ja tulipaloon.
- c. Pidä irrallinen akku loitolla metalliesineistä, kuten paperiliittimistä, kolikoista, avaimista, nauloista, ruuveista tai muista pienistä metalliesineistä, jotka voivat aiheuttaa oikosulun akun navoissa.** Kennon pinteiden oikosulku voi aiheuttaa palovammoja tai tulipalon.
- d. Väärin säätetyistä akusta voi vuotaa nestettä. Älä kosketa sitä. Jos nesteen kanssa joutuu kosketuksiin, huuhtelee vedellä. Jos nestettä joutuu silmiin, hakeudu lisäksi lääkärin hoitoon.** Akusta roiskunut neste saattaa aiheuttaa ärsytystä tai palovammoja.
- e. Älä käytä vaurioitunutta tai muutettua akkua tai työkalua.** Vaurioituneet tai muutetut akut voivat aiheuttaa odottamatonta seurausta, jotka voivat johtaa tulipaloon, räjähdykseen tai vammautumiseen.
- f. Älä altista akkua tai työkalua tulelle tai liialliselle lämpötilalle.** Alituminen tulelle tai yli 130 °C lämpötilalle voi aiheuttaa räjähdyksen. HUOMAA: Lämpötila "130 °C" voidaan korvata lämpötilalla "265 °F".
- g. Noudata kaikkia latausohjeita äläkä lataa akkua tai työkalua ohjeissa määritellyn lämpötila-alueen ulkopuolella.** Virheellinen lataaminen tai määritetyn alueen ulkopuolella olevissa lämpötiloissa voi vahingoittaa akkua ja lisätä tulipalon vaaraa.
- 6. Huolto**
- a. Korjauta sähkötyökalu koulutetulla ja ammattitaitoisella henkilöllä ja hyväksy korjauksiin vain alkuperäisiä varaosia.** Tämä varmistaa sähkötyökalun turvallisuuden.
- b. Älä koskaan huolla vaurioituneita akkuja.** Ainoastaan valmistaja tai valtuutetut huoltoliikkeet saavat huoltaa akkua.
- Langattomien nitojen lisäturvallisuusohjeet**
- ◆ Käytä aina suojalaseja.
 - ◆ Käytä aina kuulonsuojaimia.
 - ◆ Käytä ainoastaan ohjekirjan määrittysten mukaisia kiinnittimiä.
 - ◆ Älä käytä telineitä työkalun asettamiseksi tukeen.
 - ◆ Älä irrota tai estä mitään naulauskoneen osaa, kuten kärkilaukaisinta.
 - ◆ Tarkista ennen kutakin toimenpidettä, että turvallisuus- ja laukaisumeکانismi toimii virheettömästi ja että kaikki mutterit ja pultit ovat kireällä.

- ◆ Älä käytä laitetta vasarana.
- ◆ Älä käytä laitetta tikapuilla.
- ◆ Älä koskaan kohdista naulauskonetta itseesi tai muihin henkilöihin päihin.
- ◆ Pidä työkalua käytön aikana niin, ettei päähän tai kehoon voi tulla vahinkoja, jos mahdollinen energiansyötön häiriö tai vaikeat kohdat kappaleessa aiheuttavat laitteen potkaisun.
- ◆ Älä koskaan laukaise naulauskonetta vapaaseen tilaan.
- ◆ Kuljeta laite työalueelle ainoastaan yhtä kahvaa käyttäen, liipaisinta ei saa laukaista.
- ◆ Huomioi työalueen olosuhteet. Kiinnittimet voivat läpäistä ohuet työstökappaleet tai luisua työstökappaleen kulumista tai reunoista, olemassa on täten henkilövahinkovaara.
- ◆ Älä kiinnitä nauvoja työstökappaleen reunan lähelle.
- ◆ Älä kiinnitä nauvoja toisten kiinnittimien päälle.
- ◆ Toimi aina oletuspohjalta, että työkalussa on kiinnittimiä.
- ◆ Naulauskoneen huolimaton käsittely voi johtaa naulojen odottamattomaan laukaisemiseen ja henkilövahinkoihin.
- ◆ Älä osoita työkalulla itseäsi tai ketään lähetyvillä olevaa henkilöä. Odottamaton laukaisemisen yhteydessä laitteesta sinkoa naula, joka voi aiheuttaa henkilövahinkoja.
- ◆ Älä laukaise työkalua, ellei se ole tiiviisti työkappaletta vasten. Jos työkalu ei ole kiinni työkappaletta, kiinnitin saattaa ponnahtaa irti kohteesta.
- ◆ Irrota työkalu virtalähteestä, jos kiinnitin juuttuu työkalun sisään. Kun poistat kiinni jääneen naulan, naulauskone voi kytkeytyä vahingossa päälle, jos se on liitetty sähköverkkoon.
- ◆ Älä käytä tätä laitetta sähkökaapeleiden kiinnittämiseen. Sitä ei ole tarkoitettu sähkökaapeleiden asentamiseen, vaan se voi vahingoittaa sähkökaapeleiden eristeitä ja aiheuttaa sähköiskun tai tulipalon vaaran.

Laitteessa olevat merkinnät

Laitteessa on seuraavat symbolit sekä päivämääräkoodi:



Varoitus! Käyttäjän on luettava käyttöohje vahinkojen välttämiseksi.

Tärinä

Tässä käyttöohjeessa ilmoitetut tärinä- ja/tai äänitasoarvot on mitattu EN60745-standardin mukaisesti. Niitä voidaan käyttää verrattaessa työkaluja keskenään. Sitä voidaan käyttää arvioitaessa altistumista.

VAROITUS: Ilmoitettu tärinä ja/tai äänitaso esiintyy käytettäessä työkalua sen varsinaiseen käyttötarkoitukseen.

Jos työkalua käytetään erilaiseen tarkoitukseen, jos siihen on kiinnitetty erilaisia lisävarusteita tai jos sitä on hoidettu huonosti, tärinä ja/tai äänitaso voi kasvaa. Tämä voi vaikuttaa merkittävästi altistumiseen työkalua käytettäessä.

Tärinälle ja/tai äänelle altistumisen tason arvioinnissa tulee myös ottaa huomioon ne ajat, jolloin työkalusta katkaistaan virta tai se toimii tyhjäkännillä.

Tärkeitä turvaohjeita kaikkiin akkutyökaluihin

Varoitus! Lue kaikki akun, laturin ja tuotteen turvavaroitukset, ohjeet ja varoitusmerkit. Jos varoituksia ja ohjeita ei noudateta, on olemassa sähköiskun, tulipalon ja/tai vakavan henkilövahingon vaara.

- ◆ Älä koskaan liitä laturin pistoketta väkisin työkaluun.
- ◆ ÄLÄ tee yhteensopimattoman laturin pistokkeeseen mitään muutoksia sen sovitamiseksi työkaluun, sillä akku voi rikkoutua ja aiheuttaa vakavia henkilövahinkoja.
- ◆ ÄLÄ lataa tai käytä akkua räjähdysalttiissa ympäristössä, jossa on syttyvää nestettä, kaasua tai pölyä. Pöly tai höyry voi syttyä, kun laturin pistoke liitetään työkaluun tai irrotetaan työkalusta.
- ◆ Lataa akku vain sen mukana toimitetulla latausjohdolla ja sopivalla luokan 2 virtalähteellä.
- ◆ ÄLÄ altista roiskeille tai upota veteen.
- ◆ SUOJATTAVA vedeltä ja muilta nesteiltä.
- ◆ ÄLÄ säilytä tai käytä työkalua paikassa, jossa lämpötila voi saavuttaa tai ylittää 40 °C (kuten kesällä ulkoatoksissa tai metallirakennuksissa). Säilytä työkaluja viileässä ja kuivassa paikassa parhaan käyttöiän saavuttamiseksi.
- ◆ Älä säilytä työkalua kytin lukitussa asennossa. Älä koskaan teippaa kytkintä käyttöasentoon.
- ◆ ÄLÄ polta edes vakavasti vaurioitunutta tai täysin loppuun kulunutta työkalua. Akku voi räjähtää tulesta. Myrkyllisiä höyryjä ja materiaaleja syntyy, kun litiumioniakut poltetaan.
- ◆ Jos akun sisältöä pääsee iholle, pese iho välittömästi miedolla saippualla ja vedellä. Jos akun nestettä pääsee silmiin, huuhtelee avointa silmää vedellä 15 minuutin ajan tai ärsytyksen poistumiseen saakka. Jos lääkinnällinen apu on tarpeen, akun elektrolyytti sisältää nestemäisten orgaanisten karbonaattien sekä litiumsuolien seosta.
- ◆ Avattujen akkukannojen sisältö voi aiheuttaa ärsytystä hengitysteissä. Siirry raikkaaseen ilmaan. Jos oireet jatkuvat, ota yhteyttä lääkäriin.
- ◆ Akun neste voi olla syttyvää, jos se altistetaan kipinöille tai liekeille.
- ◆ Älä koskaan yritä avata työkalua mistään syystä. Jos työkalun ulkokuori on haljennut tai vaurioitunut, älä lataa yksikköä. Älä riko, pudota tai vahingoita työkalua. Älä käytä työkalua tai laturia, johon on osunut terävä isku, joka on pudotettu tai vahingoittunut millään tavalla (esim. lävistetty naulalla, isketty vasaralla, astuttu päälle).

Vahingoittuneet työkalut tulee palauttaa huoltoon kierrästyä varten.

Säilytysohjeet

Paras säilytyspaikka on kuiva ja viileä paikka, suojaa laite suoralta auringonvalolta ja liialliselta lämmöltä tai kylmyydeltä. Säilytä täyteen ladattua työkalua laturista irti.

Kuljetus

Huomautus: Kokonaisia litiumionityökaluja ei saa asettaa lentokoneiden ruumaan meneviin matkalaukkuihin ja ne on suojattava asianmukaisesti oikosuluilta, kun niitä kuljetetaan käsimatkatavaroissa.

Tärkeitä turvaohjeita kaikkiin latauslaitteisiin

Varoitus! Lue kaikki akun, latauskaapelin ja tuotteen turvavaroitukset, ohjeet ja varoitusmerkit. Jos varoituksia ja ohjeita ei noudateta, on olemassa sähköiskun, tulipalon ja/tai vakavan henkilövahingon vaara.

- ◆ Käytä ainoastaan luetteloitujen/sertifioitujen tietoteknisten (tietokone-) laitteiden kanssa.
- ◆ SUOJAA latauskaapeli vedeltä, sateelta ja lumelta.
- ◆ Vedä pistokkeesta johdon sijaan latauskaapelia irrottaessa. Tämä vähentää pistokkeiden ja johdon vaurioitumisen vaaraa.
- ◆ Varmista, ettei johdon päälle ei astua, siihen ei voida kaatua ja ettei se voi muuten vaurioitua tai kulua.
- ◆ Varmista, että latauspaikka on kuiva ladattaessa työkalua ulkotilassa.
- ◆ ÄLÄ käytä latauskaapelia, jos virtajohto tai pistokkeet ovat vaurioituneet. Vie ne heti vaihdettavaksi.
- ◆ Johtavat materiaalit kuten, seuraaviin kuitenkin rajoittumatta, hiomapöly, metallihiukkaset, teräsvilla, alumiinifolio tai muut metallihiukkasten kertymät, tulee pitää poissa latausliitännästä ja latauksen mikroliittimestä ja portista.
- ◆ Irrota latauskaapeli aina virtalähteestä, kun siihen ei ole liitetty työkalua.

Yleiskuvaus

Tässä valaisimessa on kaikki seuraavat ominaisuudet tai joitakin niistä:

1. Liipaisin
2. Virtakytkin
3. Latauksen merkkivalo/käyttövalmiuden LED-merkkivalo
4. Kärkilaukaisin
5. Lipas
6. Lippaan vapautin
7. Nitojan tarkistusikkuna
8. Latausportti
9. Latausjohto

Asennus

Varoitus! Vähentääksesi vakavien henkilövaurioiden riskiä, kytke laite pois päältä ja ole käyttämättä virtapainiketta ennen säätöjen tekemistä tai lisävarusteiden tai apuvälineiden irrottamista/asettamista. Tahaton käynnistyminen aiheuttaa vahingon.

Lataaminen (kuva A)

Varoitus! Älä käytä sahaa sen ollessa liitettyä laturiin.

- ◆ Liitä latauspistoke (9) latausporttiin (8).
- ◆ Liitä latauspistoke mihin tahansa latausporttiin (kuten tietokoneeseen).
- ◆ Latauksen LED-merkkivalo (3) vilkkuu punaisena latauksen aikana.
- ◆ Latauksen vihreä LED-merkkivalo palaa pysyvästi, kun akku on ladattu täyteen.
- ◆ Akku voidaan jättää lataukseen tai laturi voidaan irrottaa.

Tärkeitä huomautuksia lataamiseen

- ◆ Laturi ja työkalu voivat kuumentua latauksen aikana. Tämä on normaalia, eikä ole osoitus ongelmasta. Jotta työkalu jäähtyisi käytön jälkeen, vältä asettamista laturia tai työkalua lämpimään ympäristöön, kuten metallikoteloon tai eristämättömän perävaunun päälle.
- ◆ Jos työkalu ei lataudu oikeaoppisesti, vie työkalu ja laturi paikalliseen huoltopalveluun.
- ◆ Voit halutessasi ladata osittain käytetyn akun milloin tahansa, ilman että siitä olisi haittaa työkalulle.

Kokoaminen ja säätäminen

Varoitus! Vähentääksesi vakavien henkilövaurioiden riskiä, kytke laite pois päältä ja ole käyttämättä liipaisinta ennen säätöjen tekemistä tai lisävarusteiden tai apuvälineiden irrottamista/asettamista. Tahaton käynnistyminen aiheuttaa vahingon.

Työkalun valmistelut

Varoitus! Vältä kohdistamasta työkalua itseesi tai muihin päin. Se voi aiheuttaa vakavan henkilövahingon.

Varoitus! Vakavien henkilövahinkojen riskin vähentämiseksi varmista, että virtakytkin on pois päältä ja pidä kädet poissa liipaisimesta ja poista niitit ja naulat lippaasta ennen säätöjen tekemistä.

Varoitus! ÄLÄ KOSKAAN suihkuta tai levitä muulla tavoin voiteluaineita tai liuottimia työkalun sisälle. Tämä voi vaikuttaa huomattavasti työkalun käyttöikään ja tehoon.

- ◆ Lue tämän ohjekirjan sisältämät turvallisuusohjeet.
- ◆ Käytä suojalaseja ja kuulonsuojaimia.
- ◆ Varmista, että lipas 5 on tyhjennetty kiinnittimistä.
- ◆ Aseta kärkilaukaisin 4 työpintaan sen tehokkaan ja virheettömän toiminnan tarkistamiseksi. Älä käytä työkalua, jos se ei toimi oikein.

ÄLÄ KOSKAAN käytä työkalua, jos sen kärkilaukaisin on lukittunut käyttöasentoon.

- ♦ Vältä kohdistamasta naulauskonetta itseesi tai muihin päin.

Työkalun lataaminen (kuva B)

Varoitus! Vältä kohdistamasta työkalua itseesi tai muihin päin. Se voi aiheuttaa vakavan henkilövahingon.

Varoitus! Varmista aina, että sähkötyökalun virta on katkaistu virtakytkimestä ennen sen täyttämistä tai tyhjentämistä.

Varoitus! Älä koskaan lisää niittejä/nauloja, kun kärkilaukaisin tai liipaisin on aktivoitu. Se voi aiheuttaa henkilövahingon.

Yleinen yhteensopivuus kestävien 6-14 mm niittien, 10,6 mm kruunun leveyden ja 15 mm naulojen kanssa.

- ♦ Paina lippaan vapautinta (6) ja vedä liu'utettava lipas (5) ulos.
- ♦ Lisää kiinnittimiä. Varmista, että niitit ovat paikoillaan niin, että niittien kruunu on lippaan sisäpintaa vasten.

Huomautus: Naulan pään on oltava lippaan vasenta sisäpintaa vasten. Jos se on oikealla puolella, lipas ei sulkeudu.

- ♦ Sulje liu'utettava lipas, kunnes lippaan lukitus napsahtaa hyvin paikoilleen.

Naulojen poistaminen työkalusta

Varoitus! Varmista aina, että virtakytkin on OFF-asennossa (0).

- ♦ Paina lippaan vapautinta (6) ja vedä liu'utettava lipas (5) ulos.
- ♦ Kallista työkalua sivulle, kunnes niitit tulevat vapaasti ulos lippaan alaosasta.
- ♦ Varmista, ettei lippaan sisällä ole irtonaisia niittejä.
- ♦ Sulje liu'utettava lipas kokonaan.

Kiinni juuttuneen niitin irrottaminen

Jos niitti jää kiinni lippaaseen, pidä työkalu itsestäsi pois päin kohdistettuna ja toimi seuraavasti:

Varoitus! Varmista aina, että virta on katkaistu virtakytkimestä ennen kiinni juuttuneen niitin irrottamista.

- ♦ Paina lippaan vapautinta (6) ja poista laitteesta mahdolliset niitit.
- ♦ Tarkista lippaan sisäosa (5) ulkoisesti kiinni juuttuneiden niittien varalta.
- ♦ Poista taipunut niitti tarpeen mukaan pihtien avulla.
- ♦ Aseta niittejä lippaaseen (ks. Työkalun lataaminen).

Käyttö

Varoitus! Vähentääksesi vakavien henkilövaurioiden riskiä, kytkä laite pois päältä ja ole käyttämättä liipaisinta ennen säätöjen tekemistä tai lisävarusteiden tai apuvälineiden irrottamista/asentamista. Tahaton käynnistyminen aiheuttaa vahingon.

Liipaisimen käyttäminen (kuva C)

Varoitus! Käytä aina asianmukaisia suojalaseja ja kuulonsuojaimia työkalua käyttäessäsi.

Varoitus! Vältä vahingossa tapahtuvat laukaisut pitämällä sormet POISSA liipaisimelta, kun konetta ei käytetä. ÄLÄ KOSKAAN kuljeta työkalua sormi liipaisimella.

- ♦ Kytke nitoja päälle työntämällä virtakytkin (2) asennosta "O" asentoon "I".
- ♦ Paina kärkilaukaisin (4) kokonaan työtasoa vasten ja vihreän merkivalon (3) pitäisi sytyä.
- ♦ Vedä liipaisimesta (1) ja kiinnitin kiinnittyy työstökappaleen pintaan.

Huomautus: Säilytä paine työstökappaleen pintaan, kunnes kiinnitin on kiinnittynyt pintaan.

- ♦ Vapauta liipaisin.
- ♦ Nosta kärkilaukaisin pois työstökappaleen pinnasta.
- ♦ Toista toimenpiteet 1-4 seuraavan käyttökerran aikana.

Huomautus: Kärkilaukaisinta on painettava, jonka jälkeen liipaisimesta on painettava kunkin kiinnittimen kohdalla. Vapauta kunkin kiinnittimen jälkeen sekä kärkilaukaisin että liipaisin.

Oikeaoppinen käden asentoasento

Varoitus! Voit vähentää vakavan henkilövahingon vaaraa pitämällä kädet **AINA** oikeassa asennossa.

Varoitus! Voit vähentää vakavan henkilövahingon vaaraa pitelemällä työkalua **AINA** tiukassa otteessa.

Käsien oikea asento tarkoittaa toisen käden pitämistä pääkahvassa.

Huolto

BLACK+DECKER -laitteesi on suunniteltu toimimaan mahdollisimman pitkään mahdollisimman vähällä huollolla. Oikea käsittely ja säännöllinen puhdistus varmistavat ongelmattoman toiminnan.

- ♦ Puhdista laite säännöllisesti kostealla rievulla. Älä käytä hankaavia tai liuotinpohjaisia puhdistusaineita. Älä päästä laitteen sisään nestettä äläkä upota sitä nesteeseen edes osittain.

Lisävarusteet

Varoitus! Muita kuin BLACK+DECKER-lisävarusteita ei ole testattu tämän työkalun kanssa, joten niiden käyttäminen voi olla vaarallista. Käytä tämän laitteen kanssa vain BLACK+DECKERin suosittelemia varusteita vahingoittumisvaaran vähentämiseksi.

Työkalusi kanssa käytettäväksi suositeltuja lisävarusteita on saatavissa paikalliselta jälleenmyyjältä tai valtuutetuista huolloista.

- ♦ TRA704T – 6 mm Tasapintainen niitti 10,6 x 1,26 mm
- ♦ TRA705T – 8 mm Tasapintainen niitti 10,6 x 1,26 mm
- ♦ TRA706T – 10 mm Tasapintainen niitti 10,6 x 1,26 mm
- ♦ TRA708T – 12 mm Tasapintainen niitti 10,6 x 1,26 mm
- ♦ TRA709T – 14 mm Tasapintainen niitti 10,6 x 1,26 mm

- ◆ SWK-BN0625T – 15 mm/5/8"/18 ga naulat J-tyyppi

Ympäristönsuojelu



Toimita tämä laite erillisleräykseen. Tällä symbolilla merkityt tuotteita ja akkuja ei saa hävittää tavallisen kotitalousjätteen mukana.

Tuotteissa ja akuissa on materiaaleja, jotka voidaan ottaa talteen tai kierrättää uudelleen käyttöä varten.

Kierrätä sähkölaitteet ja akut paikallisten määräyksien mukaan.

Lisätietoa on saatavilla osoitteessa www.2helpU.com

Tekniset tiedot

BCN115		
Jännite	V _{DC}	3,6
Niittien koko	mm	6 - 14
Naulan koko	mm	15
Paino	kg	0,9

Äänenpainetaso standardin EN 660745 mukaisesti:

Äänenpainetaso: (L_{PA}): 77 dB(A); K=3 dB(A);

Mitattu äänitehotaso: (L_{WA}): 88 dB(A); K=3 dB(A);

Tärinän kokonaisarvot (vektorisumma) standardin EN 60745 mukaisesti:

Tärinätaso: (ah): 5,7 m/s²; K= 1,5 m/s²

EY-vaatimustenmukaisuusvakuutus

KONEDIREKTIIVI



BCN115 Nitoja käsityökäyttöön

Black & Decker ilmoittaa, että tuotteet, jotka on kuvattu kohdassa "Tekniset tiedot" ovat seuraavien direktiivien vaatimusten mukaisia:

2006/42/EY, EN60745-1:2009+A11:2010 ja EN60745-2-16:2010. Nämä tuotteet täyttävät myös standardien 2014/30/EU ja 2011/65/EU vaatimukset.

Lisätietoja saa ottamalla yhteyden Black & Deckeriin seuraavassa osoitteessa. Tiedot ovat myös käyttöohjeen takakannessa.

Allekirjoittaja vastaa teknisistä tiedoista ja antaa tämän vakuutuksen seuraavan yhtiön puolesta:

Black & Decker.

Patrick Diepenbach

Patrick Diepenbach
Toimitusjohtaja, Benelux
Black and Decker,
Egide Walschaertsstraat 14-18
2800 Mechelen, Belgia
15.12.2021

Takuu

Black & Decker on vakuuttanut tuotteidensa korkeasta laadusta ja tarjoaa kuluttajille 24 kuukauden takuun, joka astuu voimaan ostopäivänä. Takuu on lisäys kuluttajan laillisiin oikeuksiin eikä vaikuta niihin. Tämä takuu on voimassa kaikissa EU- ja ETA-maissa.

Edellytyksenä takuun saamiselle on, että vaade täyttää Black & Deckerin ehdot ja että ostaja toimittaa ostosoitteen jälleenmyyjälle tai valtuutetulle huoltoilikeelle.

Black & Deckerin kahden vuoden takuun ehdot ja lähimmän valtuutetun korjauspalvelun yhteyshenkilöt ovat saatavilla osoitteessa www.2helpU.com tai ottamalla yhteyttä paikalliseen Black & Deckerin toimipisteeseen tässä ohjekirjassa ilmoitettuun osoitteisiin.

Käy verkkosivuillemme osoitteessa www.blackanddecker.fi ja rekisteröi uusi BLACK+DECKER -tuotteesi saadaksesi tietoa uusista tuotteista ja erikoistarjouksista.

(Μετάφραση των πρωτότυπων οδηγιών)

ΕΛΛΗΝΙΚΑ

Προβλεπόμενη χρήση

Το συρραπτικό μπαταρίας BLACK+DECKER™ BCN115 έχει σχεδιαστεί για εφαρμογές χειροτεχνίας. Αυτό το προϊόν προορίζεται μόνο για οικιακή, ερασιτεχνική χρήση. Δεν είναι κατάλληλο για στερέωση καλωδίων.

Οδηγίες ασφαλείας

Γενικές προειδοποιήσεις ασφαλείας για ηλεκτρικά εργαλεία



Προειδοποίηση! Διαβάστε όλες τις προειδοποιήσεις ασφαλείας, τις οδηγίες, τις απεικονίσεις και τις προδιαγραφές που συνοδεύουν αυτό το ηλεκτρικό εργαλείο. Η μη τήρηση των παρακάτω προειδοποιήσεων και οδηγιών μπορεί να προκαλέσει ηλεκτροπληξία, πτυρκαγιά και/ή σοβαρές σωματικές βλάβες.

Φυλάξτε όλες τις προειδοποιήσεις και τις οδηγίες για μελλοντική αναφορά. Ο όρος "ηλεκτρικό εργαλείο" που χρησιμοποιείται σε όλες τις παρακάτω προειδοποιήσεις, αναφέρεται είτε σε εργαλείο που λειτουργεί με ρεύμα δικτύου (ρεύματος - με καλώδιο) είτε σε εργαλείο που λειτουργεί με μπαταρία (μπαταρίας - χωρίς καλώδιο).

1. Ασφάλεια χώρου εργασίας

- Διατηρείτε τον χώρο εργασίας καθαρό και καλά φωτισμένο.** Οι απατοποίητοι ή σκοτεινοί χώροι γίνονται αιτίες ατυχημάτων.
- Μη χρησιμοποιείτε ηλεκτρικά εργαλεία σε περιβάλλον όπου υπάρχει κίνδυνος έκρηξης, όπως με παρουσία εύφλεκτων υγρών, αερίων ή σκόνης.**

Τα ηλεκτρικά εργαλεία παράγουν σπινθήρες που μπορεί να προκαλέσουν ανάφλεξη της σκόνης ή των αναθυμιάσεων.

- γ. **Όταν χρησιμοποιείτε ηλεκτρικό εργαλείο, κρατάτε μακριά τα παιδιά και άλλα άτομα.** Παράγοντες που αποσπούν την προσοχή μπορεί να σας κάνουν να χάσετε τον έλεγχο.

2. Ασφαλής χρήση ηλεκτρικού ρεύματος

- α. Τα φως των ηλεκτρικών εργαλείων πρέπει να ταιριάζουν στην πρίζα. Σε καμία περίπτωση μην τροποποιήσετε το φως, με κανένα τρόπο. **Μη χρησιμοποιείτε φως προσαρμογής με γειωμένα ηλεκτρικά εργαλεία.** Τα φως που δεν έχουν υποστεί τροποποιήσεις και οι κατάλληλες πρίζες μειώνουν τον κίνδυνο ηλεκτροπληξίας.
- β. **Αποφεύγετε την επαφή του σώματός σας με γειωμένες επιφάνειες, όπως σωλήνες, σώματα καλοριφέρ, κουζίνες και ψυγεία.** Υπάρχει αυξημένος κίνδυνος ηλεκτροπληξίας αν το σώμα σας είναι γειωμένο.
- γ. **Μην εκθέτε τα ηλεκτρικά εργαλεία σε βροχή ή υγρασία.** Η διείσδυση νερού σε ένα ηλεκτρικό εργαλείο αυξάνει τον κίνδυνο ηλεκτροπληξίας.
- δ. **Μην κακομεταχειρίζεστε το καλώδιο.** Ποτέ μη χρησιμοποιήσετε το καλώδιο για να μεταφέρετε, να τραβήξετε ή να αποσυνδέσετε από την πρίζα το ηλεκτρικό εργαλείο. Κρατάτε το καλώδιο μακριά από θερμότητα, λάδια, αιχμηρά άκρα ή κινούμενα μέρη. Τα καλώδια που έχουν υποστεί ζημιά ή είναι μπερδεμένα αυξάνουν τον κίνδυνο ηλεκτροπληξίας.
- ε. **Όταν χρησιμοποιείτε ηλεκτρικό εργαλείο σε εξωτερικούς χώρους, χρησιμοποιείτε πάντοτε καλώδιο επέκτασης κατάλληλο για εργασία σε εξωτερικούς χώρους.** Η χρήση καλωδίου κατάλληλου για εργασία σε εξωτερικούς χώρους μειώνει τον κίνδυνο ηλεκτροπληξίας.
- στ. **Εάν είναι αναπόφευκτη η χρήση ενός ηλεκτρικού εργαλείου σε συνθήκες υγρασίας, χρησιμοποιήστε μια διάταξη προστασίας από ρεύμα διαρροής (RCD).** Η χρήση μιας διάταξης RCD μειώνει τον κίνδυνο ηλεκτροπληξίας.

3. Προσωπική ασφάλεια

- α. **Όταν χρησιμοποιείτε ηλεκτρικό εργαλείο, να είστε σε εγρήγορση, να συγκεντρώνεστε στην εργασία που κάνετε και να επιστρατεύετε την κοινή λογική.** **Μη χρησιμοποιείτε ηλεκτρικό εργαλείο όταν είστε κουρασμένος/η ή υπό την επήρεια ναρκωτικών, οινοπνεύματος ή φαρμακευτικής αγωγής.** Μια στιγμή απροσεξίας κατά τη χρήση ηλεκτρικών εργαλείων μπορεί να προκαλέσει σοβαρό τραυματισμό.
- β. **Χρησιμοποιείτε ατομικό εξοπλισμό προστασίας.** Πάντα φοράτε προστασία ματιών.

Ο εξοπλισμός προστασίας, όπως μάσκα κατά της σκόνης, αντιοιολισθητικά παπούτσια ασφαλείας, κράνος ή προστασία ακοής, όταν χρησιμοποιείται για τις κατάλληλες συνθήκες, θα μειώσει τους τραυματισμούς και τις σωματικές βλάβες.

- γ. **Αποτρέπτε την ακούσια ενεργοποίηση.** **Βεβαιωθείτε ότι ο διακόπτης βρίσκεται στη θέση απενεργοποίησης, πριν συνδέσετε το εργαλείο σε πηγή ρεύματος και/ή τοποθετήσετε πακέτο μπαταριών, καθώς και πριν πάρετε στα χέρια σας ή μεταφέρετε το εργαλείο.** Η μεταφορά ηλεκτρικών εργαλείων με το δάχτυλο πάνω στον διακόπτη ή η σύνδεση στο ρεύμα ηλεκτρικών εργαλείων με τον διακόπτη στη θέση ενεργοποίησης, ενέχει κινδύνους ατυχημάτων.
- δ. **Πριν θέσετε το ηλεκτρικό εργαλείο σε λειτουργία, αφαιρέστε τυχόν εργαλεία ή κλειδιά ρύθμισης.** Εάν αφήσετε ένα εργαλείο ή κλειδί πάνω σε κάποιο περιστρεφόμενο εξάρτημα του ηλεκτρικού εργαλείου, μπορεί να προκληθούν τραυματισμοί.
- ε. **Μην τεντώνετε υπερβολικά.** Διατηρείτε πάντα σταθερή στήριξη στα πόδια σας και καλή ισορροπία. Έτσι μπορείτε να έχετε καλύτερο έλεγχο του ηλεκτρικού εργαλείου σε μη αναμενόμενες καταστάσεις.
- στ. **Φοράτε κατάλληλη ενδυμασία εργασίας.** **Μη φοράτε φαρδιά ρούχα ή κοσμήματα.** Κρατάτε τα μαλλιά και τα ρούχα σας μακριά από κινούμενα μέρη. Τα φαρδιά ρούχα, τα κοσμήματα και τα μακριά μαλλιά μπορούν να πιαστούν σε κινούμενα μέρη.
- ζ. **Αν παρέχονται διατάξεις για τη σύνδεση συστημάτων απομάκρυνσης και συλλογής της σκόνης, βεβαιωθείτε ότι αυτές είναι συνδεδεμένες και χρησιμοποιούνται σωστά.** Η χρήση διατάξεων συλλογής της σκόνης μπορεί να μειώσει τους κινδύνους που προέρχονται από τη σκόνη.
- η. **Μην αφήνετε την εξοικείωση που έχετε αποκτήσει από τη συχνή χρήση εργαλείων να σας επιτρέψει να εφησυχάσετε ώστε να αγνοείτε τις αρχές ασφαλούς χρήσης των εργαλείων.** Μια απρόσεκτη ενέργεια μπορεί να προκαλέσει βαρύ τραυματισμό μέσα σε κλάσματα του δευτερολέπτου.

4. Χρήση και φροντίδα ηλεκτρικών εργαλείων

- α. **Μην υπερφορτώνετε το ηλεκτρικό εργαλείο.** **Χρησιμοποιείτε το σωστό ηλεκτρικό εργαλείο για την εφαρμογή σας.** Το σωστό ηλεκτρικό εργαλείο θα εκτελέσει την εργασία καλύτερα και ασφαλέστερα, με την ένταση χρήσης για την οποία σχεδιάστηκε.
- β. **Μη χρησιμοποιήσετε το ηλεκτρικό εργαλείο αν ο διακόπτης του δεν μπορεί να το ενεργοποιεί και απενεργοποιεί.**

Οποιοδήποτε ηλεκτρικό εργαλείο του οποίου η λειτουργία δεν μπορεί να ελεγχθεί με τον διακόπτη είναι επικίνδυνο και πρέπει να επισκευαστεί.

- γ. Αποσυνδέστε το φως από την πηγή ρεύματος και/ή αφαιρέστε το πακέτο μπαταριών, αν είναι αποσπώμενο, από το ηλεκτρικό εργαλείο, πριν πραγματοποιήσετε οποιοσδήποτε ρυθμίσεις, αλλάξτε αξεσουάρ ή αποθηκεύσετε ηλεκτρικά εργαλεία. Τέτοια προληπτικά μέτρα ασφαλείας μειώνουν το κίνδυνο αθέλητης εκκίνησης του ηλεκτρικού εργαλείου.
- δ. Φυλάσσετε μακριά από παιδιά τα ηλεκτρικά εργαλεία που δεν χρησιμοποιείτε. Μην αφήνετε να χρησιμοποιήσουν το ηλεκτρικό εργαλείο άτομα που δεν είναι εξοικειωμένα με αυτό ή άτομα που δεν έχουν διαβάσει αυτές τις οδηγίες χρήσης.
Τα ηλεκτρικά εργαλεία είναι επικίνδυνα στα χέρια μη εκπαιδευμένων χρηστών.
- ε. Συντηρείτε τα ηλεκτρικά εργαλεία και τα αξεσουάρ. Ελέγχετε για προβλήματα ευθυγράμμισης ή για μάγκωμα των κινούμενων εξαρτημάτων, θραύση εξαρτημάτων, καθώς και για οποιοδήποτε άλλο πρόβλημα μπορεί να επηρεάσει τη λειτουργία των ηλεκτρικών εργαλείων. Αν το ηλεκτρικό εργαλείο έχει υποστεί ζημιά, παραδώστε το για επισκευή πριν το χρησιμοποιήσετε. Η ανεπαρκής συντήρηση των ηλεκτρικών εργαλείων αποτελεί αιτία πολλών ατυχημάτων.
- στ. Διατηρείτε τα κοπτικά εργαλεία κοφτερά και καθαρά. Τα κοπτικά εργαλεία με κοφτερές κοπτικές αιχμές που συντηρούνται σωστά έχουν λιγότερες πιθανότητες να μαγκώσουν και ελέγχονται ευκολότερα.
- ζ. Χρησιμοποιείτε το ηλεκτρικό εργαλείο, τα αξεσουάρ και τα εξαρτήματα εργασίας του εργαλείου κλπ. σύμφωνα με τις παρούσες οδηγίες, λαμβάνοντας υπόψη σας τις συνθήκες εργασίας και την εργασία που θέλετε να εκτελέσετε.
Η χρήση του ηλεκτρικού εργαλείου για εργασίες διαφορετικές από τις προβλεπόμενες θα μπορούσε να οδηγήσει σε επικίνδυνη κατάσταση.
- η. Διατηρείτε τις λαβές και τις επιφάνειες κρατήματος στεγνές, καθαρές και απαλλαγμένες από λάδι και γράσο. Οι ολισθηρές λαβές και επιφάνειες κρατήματος δεν επιτρέπουν τον ασφαλή χειρισμό και έλεγχο του εργαλείου σε μη αναμενόμενες καταστάσεις.
5. Χρήση και φροντίδα εργαλείων μπαταρίας
- α. Επαναφορτίζετε μόνο με τον φορτιστή που καθορίζει ο κατασκευαστής. Ένας φορτιστής που είναι κατάλληλος για ένα τύπο πακέτου μπαταριών μπορεί να δημιουργήσει κίνδυνο πυρκαγιάς αν χρησιμοποιηθεί με άλλο πακέτο μπαταριών.
- β. Χρησιμοποιείτε τα ηλεκτρικά εργαλεία αποκλειστικά και μόνο με τα καθοριζόμενα πακέτα μπαταριών.

Η χρήση άλλων πακέτων μπαταριών μπορεί να προκαλέσει κίνδυνο τραυματισμού και πυρκαγιάς.

- γ. Όταν το πακέτο μπαταριών δεν χρησιμοποιείται, κρατάτε το μακριά από άλλα μεταλλικά αντικείμενα, όπως συνδετήρες, κέρματα, κλειδιά, καρφιά, βίδες ή άλλα μικρά μεταλλικά αντικείμενα που μπορούν να βραχυκυκλώσουν τους δύο ακροδέκτες του. Αν βραχυκυκλωθούν οι ακροδέκτες της μπαταρίας, μπορεί να προκληθούν εγκαύματα ή πυρκαγιά.
- δ. Αν οι μπαταρίες υποστούν κακομεταχείριση, μπορεί να διαρρέυσει υγρό. Αποφύγετε την επαφή. Αν κατά λάθος έρθετε σε επαφή, ξεπλύνετε με νερό. Σε περίπτωση που το υγρό έλθει σε επαφή με τα μάτια σας, ζητήστε επιπλέον και ιατρική βοήθεια. Το υγρό που διαρρέει από την μπαταρία μπορεί να προκαλέσει ερεθισμούς ή εγκαύματα.
- ε. Μη χρησιμοποιήσετε πακέτο μπαταριών ή εργαλείο που έχει υποστεί ζημιά ή τροποποίηση. Οι μπαταρίες που έχουν υποστεί ζημιά ή τροποποίηση μπορεί να έχουν απρόβλεπτη συμπεριφορά, με αποτέλεσμα φωτιά, έκρηξη ή κίνδυνο τραυματισμού.
- στ. Μην εκθέσετε ένα πακέτο μπαταριών ή εργαλείο σε φωτιά ή υπερβολική θερμοκρασία. Η έκθεση σε φωτιά ή σε θερμοκρασία πάνω από 130 °C μπορεί να προκαλέσει έκρηξη. ΣΗΜΕΙΩΣΗ: Η θερμοκρασία "130 °C" μπορεί να αντικατασταθεί από τη θερμοκρασία "265 °F".
- ζ. Τηρείτε όλες τις οδηγίες φόρτισης και μη φορτίζετε το πακέτο μπαταριών ή το εργαλείο εκτός των ορίων θερμοκρασίας που ορίζονται στις προδιαγραφές. Η ακατάλληλη φόρτιση ή η φόρτιση σε θερμοκρασίες εκτός των προβλεπόμενων ορίων μπορεί να προξενήσει ζημιά στην μπαταρία και να αυξήσει τον κίνδυνο φωτιάς.
6. Σέρβις
- α. Αναθέτετε το σέρβις του ηλεκτρικού σας εργαλείου σε εξειδικευμένο τεχνικό επισκευών που χρησιμοποιεί μόνο γνήσια ανταλλακτικά. Έτσι θα εξασφαλίσετε τη διατήρηση της ασφάλειας του ηλεκτρικού εργαλείου.
- β. Ποτέ μην υποβάλετε σε σέρβις πακέτα μπαταριών που έχουν υποστεί ζημιά. Το σέρβις των πακέτων μπαταριών πρέπει να γίνεται μόνο από τον κατασκευαστή ή από εξουσιοδοτημένους παρόχους σέρβις.

Πρόσθετες οδηγίες ασφαλείας για συρραπτικό μπαταρίας

- ◆ Φοράτε πάντα γυαλιά ασφαλείας.
- ◆ Φοράτε πάντα προστασία ακοής.
- ◆ Χρησιμοποιείτε μόνο στοιχεία στερέωσης του τύπου που καθορίζεται στο εγχειρίδιο.
- ◆ Μη χρησιμοποιείτε κανενός είδους σταντ για την τοποθέτηση του εργαλείου σε στήριγμα.

- ♦ Μην αφαιρείτε ή μπλοκάρετε οποιαδήποτε μέρη του εργαλείου τοποθέτησης στοιχείων στερέωσης, όπως τον ενεργοποιητή επαφής.
- ♦ Πριν από κάθε χρήση, ελέγξτε εάν η ασφάλεια και ο μηχανισμός πυροδότησης λειτουργούν κανονικά και όλες οι βίδες και τα παξιμάδια είναι σφικτά τοποθετημένα.
- ♦ Μη χρησιμοποιείτε το εργαλείο ως σφυρί.
- ♦ Μη χρησιμοποιείτε το εργαλείο ανεβασμένοι σε σκάλα.
- ♦ Ποτέ μην στοχεύετε ένα λειτουργικό εργαλείο τοποθέτησης στοιχείων στερέωσης προς τον εαυτό σας ή οποιοδήποτε άλλο άτομο.
- ♦ Ενώ εργάζεστε, κρατάτε το εργαλείο με τέτοιο τρόπο ώστε να μην μπορούν να προκληθούν τραυματισμοί στο κεφάλι ή το σώμα σας σε περίπτωση πιθανής ανάδρασης λόγω διακοπής στην παροχή ενέργειας ή λόγω σκληρότερων περιοχών μέσα στο αντικείμενο εργασίας.
- ♦ Ποτέ μην ενεργοποιείτε στον αέρα το εργαλείο τοποθέτησης στοιχείων στερέωσης.
- ♦ Στην περιοχή εργασίας, μεταφέρετε το εργαλείο στη θέση εργασίας χρησιμοποιώντας μόνο μία λαβή, και ποτέ με τη σκανδάλη πατημένη.
- ♦ Λαμβάνετε υπόψη σας τις συνθήκες στον χώρο εργασίας. Τα στοιχεία στερέωσης μπορούν να διαπεράσουν τα μικρού πάχους αντικείμενα εργασίας ή να γλιστρήσουν από γωνίες και άκρες της επιφάνειας, με αποτέλεσμα να αποτελέσουν κίνδυνο για ανθρώπους.
- ♦ Μην εισάγετε στοιχεία στερέωσης κοντά στο άκρο του αντικείμενου εργασίας.
- ♦ Μην εισάγετε στοιχεία στερέωσης πάνω σε άλλα στοιχεία στερέωσης.
- ♦ Θεωρείτε πάντα ότι το εργαλείο περιέχει στοιχεία στερέωσης.
Ο απρόσεκτος χειρισμός του καρφωτικού μπορεί να έχει ως συνέπεια μη αναμενόμενη βολή στοιχείων στερέωσης και τραυματισμό ατόμων.
- ♦ Μη στρέψετε το εργαλείο προς τον εαυτό σας ή προς οποιονδήποτε παρευρισκόμενο. Η μη αναμενόμενη πυροδότηση θα προκαλέσει εξαγωγή του στοιχείου στερέωσης προκαλώντας τραυματισμό.
- ♦ Μην ενεργοποιείτε το εργαλείο εκτός αν έχει τοποθετηθεί σε σταθερή επαφή με το αντικείμενο εργασίας. Αν το εργαλείο δεν είναι σε επαφή, το στοιχείο στερέωσης ενδέχεται να εκτραπεί από το στόχο σας.
- ♦ Αποσυνδέστε το εργαλείο από την πηγή ρεύματος σε περίπτωση που το στοιχείο στερέωσης σφηνώσει μέσα στο εργαλείο. Όταν αφαιρείτε ένα στοιχείο στερέωσης που έχει σφηνώσει, το καρφωτικό μπορεί να ενεργοποιηθεί κατά λάθος αν είναι συνδεδεμένο στην πηγή ρεύματος.

- ♦ Μη χρησιμοποιείτε αυτό το καρφωτικό εργαλείο για τη στερέωση ηλεκτρικών καλωδίων. Δεν έχει σχεδιαστεί για εγκατάσταση ηλεκτρικών καλωδίων και ενδέχεται να προκαλέσει βλάβη στη μόνωση των ηλεκτρικών καλωδίων με αποτέλεσμα να προκληθεί ηλεκτροπληξία ή πυρκαγιά.

Ετικέτες στη συσκευή

Τα σύμβολα που ακολουθούν μαζί με τον κωδικό ημερομηνίας εμφανίζονται πάνω στη συσκευή:



Προειδοποίηση! Για να μειωθεί ο κίνδυνος τραυματισμού, ο χρήστης πρέπει να διαβάσει το χειρίδιο οδηγιών.

Κραδασμοί

Το επίπεδο εκπομπών κραδασμών και/ή θορύβου που αναφέρεται στο παρόν δελτίο πληροφοριών έχει μετρηθεί σύμφωνα με τυποποιημένη διαδικασία δοκιμής που καθορίζεται στο EN60745 και μπορεί να χρησιμοποιηθεί για τη σύγκριση ενός εργαλείου με άλλο. Μπορεί να χρησιμοποιηθεί για προκαταρκτική αξιολόγηση έκθεσης.

ΠΡΟΕΙΔΟΠΟΙΗΣΗ: Το δηλωμένο επίπεδο εκπομπών κραδασμών και/ή θορύβου αντιστοιχεί στις βασικές εφαρμογές του εργαλείου. Ωστόσο, αν το εργαλείο χρησιμοποιηθεί για διαφορετικές εφαρμογές, με διαφορετικά αξεσουάρ ή αν δεν συντηρείται κανονικά, η εκπομπή κραδασμών και/ή θορύβου μπορεί να διαφέρει. Το γεγονός αυτό μπορεί να αυξήσει σημαντικά το επίπεδο έκθεσης στη συνολική περίοδο εργασίας.

Μια εκτίμηση του επιπέδου έκθεσης σε κραδασμούς και/ή θόρυβο θα πρέπει να λαμβάνει υπόψη και τους χρόνους που το εργαλείο είναι απενεργοποιημένο ή λειτουργεί αλλά στην πραγματικότητα δεν εκτελεί εργασία.

Σημαντικές οδηγίες ασφαλείας για όλα τα εργαλεία με ενσωματωμένη μπαταρία

Προειδοποίηση! Διαβάστε όλες τις προειδοποιήσεις ασφαλείας, τις οδηγίες και τις επιστημονικές προσοχές για την μπαταρία, τον φορτιστή και το προϊόν. Η μη τήρηση των προειδοποιήσεων και των οδηγιών μπορεί να έχει ως αποτέλεσμα ηλεκτροπληξία, πυρκαγιά και/ή σοβαρό τραυματισμό.

- ♦ Ποτέ μην εισάγετε με τη βία στο εργαλείο ένα βύσμα φορτιστή.
- ♦ ΜΗΝ τροποποιήσετε με κανένα τρόπο ένα βύσμα φορτιστή ενός ασύμβατου φορτιστή για να εφαρμόσει στο εργαλείο, επειδή η μπαταρία μπορεί να σπάσει προκαλώντας σοβαρό τραυματισμό.

- ◆ ΜΗ φορτίζετε ή χρησιμοποιείτε την μπαταρία σε εκρηκτικές ατμόσφαιρες, όπως με την παρουσία εύφλεκτων υγρών, αερίων ή σκόνης. Η εισαγωγή ή αφαίρεση του βύσματος φορτιστή από το εργαλείο μπορεί να προκαλέσει ανάφλεξη της σκόνης ή των αναθυμιάσεων.
- ◆ Φορτίζετε την μπαταρία μόνο με το παρεχόμενο καλώδιο φόρτισης και κατάλληλο τροφοδοτικό κλάσης 2.
- ◆ ΜΗΝ αφήνετε να βραχεί η συσκευή και μην τη βυθίσετε σε νερό.
- ◆ ΜΗΝ επιτρέψετε σε νερό ή άλλο υγρό να εισέλθει στο εργαλείο.
- ◆ ΜΗΝ αποθηκεύετε ή χρησιμοποιείτε το εργαλείο σε θέσεις όπου η θερμοκρασία μπορεί να φθάσει ή να υπερβεί τους 40 °C (104 °F) (όπως έξω από καλυμμένα μέρη ή σε μεταλλικά κτίρια το καλοκαίρι). Για καλύτερη διάρκεια ζωής, φυλάσσετε τα εργαλεία σε δροσερό, ξηρό μέρος.
- ◆ Μη φυλάσσετε το εργαλείο με τον διακόπτη ασφαλισμένο στην ενεργοποιημένη κατάσταση. Ποτέ μην κολλήσετε με ταινία τον διακόπτη στην ενεργοποιημένη θέση.
- ◆ ΜΗ ρίξετε το εργαλείο σε φωτιά, ακόμα και αν έχει σοβαρή ζημιά ή αν έχει φθαρεί τελείως. Η μπαταρία μπορεί να εκραγεί σε φωτιά. Όταν καίγονται μπαταρίες ιόντων λιθίου παράγονται τοξικές αναθυμιάσεις και υλικά.
- ◆ Αν τα περιεχόμενα της μπαταρίας έρθουν σε επαφή με το δέρμα, πλύνετε αμέσως την περιοχή με ήπιο σαπούνι και νερό. Αν το υγρό της μπαταρίας έρθει σε επαφή με το μάτι, ξεπλύνετε το ανοικτό μάτι με νερό για 15 λεπτά ή έως ότου σταματήσει ο ερεθισμός. Αν χρειαστεί ιατρική βοήθεια, αναφέρετε ότι ο ηλεκτρολύτης της μπαταρίας αποτελείται από μείγμα υγρών οργανικών ανθρακικών ενώσεων και αλάτων λιθίου.
- ◆ Τα περιεχόμενα των ανοιγμένων στοιχείων μπαταρίας μπορεί να προκαλέσουν ερεθισμό του αναπνευστικού συστήματος. Παρέχετε καθαρό αέρα. Αν τα συμπτώματα επιμένουν, ζητήστε ιατρική βοήθεια.
- ◆ Το υγρό της μπαταρίας μπορεί να αναφλεγεί εύκολα αν εκτεθεί σε σπινθήρα ή φλόγα.
- ◆ Ποτέ μην επιχειρήσετε να ανοίξετε το εργαλείο, για κανένα λόγο.
Αν το περίβλημα του εργαλείου είναι ραγισμένο ή έχει υποστεί ζημιά, μην φορτίσετε το εργαλείο. Μην συνθλίψετε, ρίξετε κάτω ή προξενήσετε ζημιά στο εργαλείο. Μην χρησιμοποιήσετε εργαλείο ή φορτιστή που έχει δεχθεί ισχυρό χτύπημα, έχει πέσει, έχει παρασυρθεί από όχημα ή έχει υποστεί ζημιά με οποιονδήποτε τρόπο (π.χ τρυπηθεί με καρφί, χτυπηθεί με σφυρί, πατηθεί). Τα εργαλεία που έχουν υποστεί ζημιά θα πρέπει να παραδίδονται στο κέντρο σέρβις για ανακύκλωση.

Υποδείξεις για την αποθήκευση

Το καλύτερο μέρος αποθήκευσης είναι ένα δροσερό και ξηρό μέρος, μακριά από άμεση ηλιακή ακτινοβολία και από υπερβολική ζέση ή κρύο.

Αποθηκεύετε το εργαλείο πλήρως φορτισμένο και αποσυνδεδεμένο από τον φορτιστή.

Μεταφορά

Σημείωση: Τα εργαλεία με ενσωματωμένη μπαταρία ιόντων λιθίου δεν πρέπει να τοποθετούνται σε παραδιδόμενες αποσκευές σε αεροπλάνα και πρέπει να προστατεύονται κατάλληλα από βραχυκυκλώματα αν περιέχονται σε χειραποσκευές.

Σημαντικές οδηγίες ασφαλείας για φόρτιση όλων των ενσωματωμένων μπαταριών

Προειδοποίηση! Διαβάστε όλες τις προειδοποιήσεις ασφαλείας, οδηγίες και επιστημονικές προσοχής για την μπαταρία, το καλώδιο φόρτισης και το προϊόν. Η μη τήρηση των προειδοποιήσεων και των οδηγιών μπορεί να έχει ως αποτέλεσμα ηλεκτροπληξία, πυρκαγιά και/ή σοβαρό τραυματισμό.

- ◆ Να χρησιμοποιείται μόνο με εγκεκριμένο/ πιστοποιημένο εξοπλισμό τεχνολογίας πληροφοριών (υπολογιστές).
- ◆ ΜΗΝ εκθέτετε το καλώδιο φόρτισης σε νερό, βροχή ή χιόνι.
- ◆ Τραβάτε τα βύσματα και όχι το καλώδιο όταν αποσυνδέετε το καλώδιο φόρτισης. Με αυτόν τον τρόπο θα μειωθεί ο κίνδυνος ζημιάς στα βύσματα και στο καλώδιο.
- ◆ Να βεβαιώνεστε ότι το καλώδιο είναι τοποθετημένο ώστε να μην πατηθεί, μπερδευτεί σε πόδια ή υποβληθεί σε οποιαδήποτε ζημιά ή καταπόνηση.
- ◆ Όταν φορτίζετε το εργαλείο σε εξωτερικό χώρο, πάντα να φροντίζετε αυτό να γίνεται σε ξηρή θέση.
- ◆ ΜΗ χρησιμοποιήσετε καλώδιο φόρτισης με ζημιά στο ίδιο το καλώδιο ή τα βύσματά του. Φροντίστε να αντικατασταθούν άμεσα.
- ◆ Πρέπει να κρατάτε μακριά από τον φορτιστή και τα βύσματα φόρτισης ξένα υλικά αγωγίμης φύσης, όπως είναι, αλλά χωρίς να περιορίζονται σε, σκόνη από εργασίες λείανσης, μεταλλικά ρινίσματα, σύρμα τριψίματος, αλουμινοχαρτο ή οποιαδήποτε συσσωρευση μεταλλικών σωματιδίων.
- ◆ Πάντα αποσυνδέετε το καλώδιο φόρτισης από το τροφοδοτικό όταν δεν υπάρχει εργαλείο συνδεδεμένο σε αυτό.

Χαρακτηριστικά

Η συσκευή αυτή διαθέτει μερικά ή όλα από τα παρακάτω χαρακτηριστικά:

1. Σκανδάλη
2. Διακόπτης τροφοδοσίας
3. LED ένδειξης φόρτισης/ετοιμότητας χρήσης

4. Ενεργοποιητής επαφής
5. Γεμιστήρας
6. Κλιπ απασφάλισης γεμιστήρα
7. Παράθυρο παρατήρησης του συρραπτικού
8. Θύρα φόρτισης
9. Καλώδιο φόρτισης

Συναρμολόγηση

Προειδοποίηση! Για να μειώσετε τον κίνδυνο σοβαρού τραυματισμού, απενεργοποιήστε τη μονάδα και απομακρύνετε τα χέρια σας από το κουμπί ενεργοποίησης/ απενεργοποίησης πριν κάνετε οποιοσδήποτε ρυθμίσεις ή πριν αφαιρέσετε/ τοποθετήσετε προσαρτήματα ή παρελκόμενα. Τυχόν αθέλητη εκκίνηση μπορεί να προκαλέσει τραυματισμό.

Διαδικασία φόρτισης (Εικ. Α)

Προειδοποίηση! Μη χρησιμοποιείτε το εργαλείο ενώ αυτό είναι συνδεδεμένο με το φορτιστή.

- ◆ Εισαγάγετε το βύσμα φόρτισης (9) στη θύρα φόρτισης (8).
- ◆ Εισάγετε το βύσμα φόρτισης σε οποιαδήποτε θύρα φόρτισης (π.χ. σε υπολογιστή).
- ◆ Η LED ένδειξης φόρτισης (3) θα αναβοσβήνει με κόκκινο χρώμα κατά τη φόρτιση.
- ◆ Η LED ένδειξης φόρτισης θα αλλάξει χρώμα σε σταθερό πράσινο όταν το εργαλείο έχει φορτιστεί πλήρως.
- ◆ Μπορείτε να αφήσετε την μπαταρία να φορτίζεται ή μπορείτε να αποσυνδέσετε τον φορτιστή.

Σημαντικές επισημάνσεις για τη φόρτιση

- ◆ Ο φορτιστής και το εργαλείο μπορεί να θερμανθούν αισθητά κατά τη φόρτιση. Αυτό είναι κανονικό φαινόμενο και όχι ένδειξη προβλήματος. Για να διευκολύνετε την ψύξη του εργαλείου μετά τη χρήση, αποφεύγετε να τοποθετείτε τον φορτιστή ή το εργαλείο σε θερμό περιβάλλον, όπως σε μεταλλικό παράπηγμα ή σε μη μονωμένο τρέιλερ.
- ◆ Αν το εργαλείο δεν φορτίζεται σωστά, παραδώστε το εργαλείο και τον φορτιστή στο τοπικό σας κέντρο σέρβις.
- ◆ Μπορείτε να φορτίσετε όποτε επιθυμείτε μια εν μέρει χρησιμοποιημένη μπαταρία, χωρίς αυτό να έχει αρνητικές συνέπειες στο εργαλείο.

Συναρμολόγηση και ρυθμίσεις

Προειδοποίηση! Για να μειώσετε τον κίνδυνο σοβαρού τραυματισμού, απενεργοποιήστε τη μονάδα και απομακρύνετε τα χέρια σας από τη σκανδάλη πριν κάνετε οποιοσδήποτε ρυθμίσεις ή πριν αφαιρέσετε/ τοποθετήσετε προσαρτήματα ή παρελκόμενα. Τυχόν αθέλητη εκκίνηση μπορεί να προκαλέσει τραυματισμό.

Προετοιμασία του εργαλείου

Προειδοποίηση! Κρατάτε το εργαλείο στραμμένο μακριά από τον εαυτό σας και άλλους. Μπορεί να προκληθεί σοβαρός τραυματισμός.

Προειδοποίηση! Για να μειώσετε τον κίνδυνο σοβαρού τραυματισμού, βεβαιωθείτε ότι ο διακόπτης τροφοδοσίας είναι στην απενεργοποιημένη θέση και κρατάτε τα χέρια σας μακριά από τη σκανδάλη και αφαιρέστε τους συνδετήρες και τα καρφιά από τον γεμιστήρα πριν προβείτε σε ρυθμίσεις.

Προειδοποίηση! ΠΟΤΕ μην ψεκάσετε ή εφαρμόσετε με οποιοδήποτε άλλο τρόπο λιπαντικά ή διαλύτες καθαρισμού στο εσωτερικό του εργαλείου. Αυτό μπορεί να επηρεάσει σημαντικά το χρόνο ζωής και την απόδοση του εργαλείου.

- ◆ Διαβάστε την ενότητα Οδηγίες Ασφαλείας στο παρόν εγχειρίδιο.
- ◆ Φοράτε εξοπλισμό προστασίας των ματιών και της ακοής.
- ◆ Βεβαιωθείτε ότι ο γεμιστήρας (5) είναι τελειώς άδειος από στοιχεία στερέωσης.
- ◆ Τοποθετήστε τον ενεργοποιητή επαφής (4) πάνω στην επιφάνεια εργασίας για να ελέγξετε την ομαλή και σωστή λειτουργία του ενεργοποιητή επαφής. Μη χρησιμοποιήσετε το εργαλείο αν δεν λειτουργεί σωστά. ΠΟΤΕ μη χρησιμοποιήσετε ένα εργαλείο με τον ενεργοποιητή επαφής στερεωμένο στην ενεργοποιημένη θέση.
- ◆ Κρατάτε το εργαλείο στραμμένο μακριά από εσάς και άλλους.

Ανεφοδιασμός του εργαλείου (Εικ. Β)

Προειδοποίηση! Κρατάτε το εργαλείο στραμμένο μακριά από τον εαυτό σας και άλλους. Μπορεί να προκληθεί σοβαρός τραυματισμός.

Προειδοποίηση! Βεβαιωθείτε ότι ο διακόπτης τροφοδοσίας βρίσκεται στη θέση απενεργοποίησης πριν την τοποθέτηση ή αφαίρεση στοιχείων στερέωσης.

Προειδοποίηση! Ποτέ μην τοποθετείτε συρραπτήρες/καρφιά όταν είναι ενεργοποιημένος ο ενεργοποιητής επαφής ή η σκανδάλη. Μπορεί να προκληθεί τραυματισμός. Γενική συμβατότητα με συρραπτήρες βαρέος τύπου 6 mm-14 mm, πλάτους ράχης 10,6 mm και καρφιά 15 mm.

- ◆ Πιέστε το κλιπ απασφάλισης γεμιστήρα (6) και τραβήξτε έξω τον συρόμενο γεμιστήρα (5).
- ◆ Φορτώστε στοιχεία στερέωσης. Βεβαιωθείτε ότι οι συρραπτήρες φορτώνονται έτσι ώστε η ράχη των συρραπτήρων να βρίσκεται σε πλήρη επαφή με την εσωτερική επιφάνεια του γεμιστήρα.

Σημείωση: Η κεφαλή του καρφιού πρέπει να είναι σε επαφή με την αριστερή, εσωτερική επιφάνεια του γεμιστήρα. Αν φορτωθεί στη δεξιά πλευρά, ο γεμιστήρας δεν θα κλείσει.

- ◆ Κλείστε τον συρόμενο γεμιστήρα έως ότου το μάνδαλο γεμιστήρα κομπώσει σφισχτά στη θέση του.

Εκκένωση του εργαλείου

Προειδοποίηση! Πάντα να διασφαλίσετε ότι ο διακόπτης τροφοδοσίας βρίσκεται στη θέση απενεργοποίησης (0).

- ◆ Συμπιέστε το κλιπ απασφάλισης γεμιστήρα (6) και τραβήξτε έξω τον συρόμενο γεμιστήρα (5).
- ◆ Γείρετε το εργαλείο προς το πλάι έως ότου οι συρραπτήρες πέσουν ελεύθερα από το κάτω μέρος του γεμιστήρα.
- ◆ Ελέγξτε για να βεβαιωθείτε ότι δεν παραμένουν μεμονωμένοι συρραπτήρες μέσα στον γεμιστήρα.
- ◆ Κλείστε τελείως τον συρόμενο γεμιστήρα.

Απομάκρυνση σφηνωμένου συρραπτήρα

Αν κάποιος συρραπτήρας σφηνώσει μέσα στον γεμιστήρα, κρατήστε το εργαλείο στραμμένο μακριά από εσάς και ακολουθήστε αυτές τις οδηγίες για να τον απομακρύνετε:

Προειδοποίηση! Πάντα να διασφαλίσετε ότι ο διακόπτης τροφοδοσίας βρίσκεται στη θέση απενεργοποίησης πριν την απομάκρυνση σφηνωμένου συρραπτήρα

- ◆ Πιέστε το κλιπ απασφάλισης γεμιστήρα (6) και αφαιρέστε τυχόν τοποθετημένους συρραπτήρες.
- ◆ Ελέγξτε οπτικά μέσα στον γεμιστήρα (5) για τυχόν σφηνωμένους συρραπτήρες.
- ◆ Αφαιρέστε τον λυγισμένο συρραπτήρα χρησιμοποιώντας πένσα αν χρειαστεί.
- ◆ Τοποθετήστε πάλι συρραπτήρες μέσα στον γεμιστήρα (βλ. Ανεφοδιασμός του εργαλείου).

Λειτουργία

Προειδοποίηση! Για να μειώσετε τον κίνδυνο σοβαρού τραυματισμού, απενεργοποιήστε τη μονάδα και απομακρύνετε τα χέρια σας από τη σκανδάλη πριν κάνετε οποιοδήποτε ρυθμίσεις ή πριν αφαιρέσετε/τοποθετήσετε προσαρτήματα ή παρελκόμενα. Τυχόν αθέλητη εκκίνηση μπορεί να προκαλέσει τραυματισμό.

Λειτουργία με σκανδάλη (Εικ. C)

Προειδοποίηση! Φοράτε πάντοτε κατάλληλα προστατευτικά ματιών και ακοής κατά τη χρήση του εργαλείου.

Προειδοποίηση! Κρατάτε τα δάκτυλά σας ΜΑΚΡΙΑ από τη σκανδάλη όταν δεν τοποθετείτε συρραπτήρες, ώστε να αποφύγετε κατά λάθος εξαγωγή στοιχείων στερέωσης.

ΠΟΤΕ μη μεταφέρετε το εργαλείο με το δάκτυλο πάνω στη σκανδάλη.

- ◆ Μετακινήστε τον διακόπτη τροφοδοσίας (2) από το "0" στο "I" για να ενεργοποιήσετε το συρραπτικό.
- ◆ Πιέστε πλήρως τον ενεργοποιητή επαφής (4) πάνω στην επιφάνεια εργασίας και η πράσινη ενδεικτική λυχνία (3) θα πρέπει να ανάψει.
- ◆ Πιέστε τη σκανδάλη (1) και στοιχείο στερέωσης θα εισαχθεί στην επιφάνεια εργασίας.

Σημείωση: Διατηρήστε την προς τα κάτω πίεση στην επιφάνεια εργασίας έως ότου το στοιχείο στερέωσης έχει εισαχθεί στην επιφάνεια εργασίας.

- ◆ Ελευθερώστε τη σκανδάλη.
- ◆ Ανωσιώστε τον ενεργοποιητή επαφής από την επιφάνεια εργασίας.
- ◆ Επαναλάβετε τα βήματα 1 έως 4 για την επόμενη εφαρμογή.

Σημείωση: Ο ενεργοποιητής επαφής πρέπει να πιεστεί, να ακολουθήσει ένα πάτημα της σκανδάλης για κάθε συνδετήρα και κατόπιν να απελευθερωθεί και ο ενεργοποιητής επαφής και η σκανδάλη μετά από κάθε συνδετήρα.

Σωστή τοποθέτηση των χεριών (Εικ. D)

Προειδοποίηση! Για να μειώσετε τον κίνδυνο σοβαρού τραυματισμού, **ΠΑΝΤΑ** να χρησιμοποιείτε τη σωστή θέση των χεριών όπως δείχνει η εικόνα.

Προειδοποίηση! Για να μειώσετε τον κίνδυνο σοβαρού τραυματισμού, **ΠΑΝΤΑ** κρατάτε σταθερά το εργαλείο σε αναμονή απότομης αντίδρασης.

Για τη σωστή τοποθέτηση των χεριών απαιτείται ένα χέρι στην κύρια λαβή.

Συντήρηση

Αυτή η συσκευή BLACK+DECKER έχει σχεδιαστεί έτσι ώστε να λειτουργεί για μεγάλο χρονικό διάστημα με την ελάχιστη δυνατή συντήρηση. Η συνεχής ικανοποιητική λειτουργία εξαρτάται από τη σωστή φροντίδα και τον τακτικό καθαρισμό.

- ◆ Καθαρίζετε τακτικά τη συσκευή με ένα ελαφρά υγρό πανί. Μη χρησιμοποιείτε καθαριστικά που χαράζουν ή περιέχουν διαλύτες. Μη αφήσετε ποτέ να εισέλθει υγρό στο εσωτερικό της συσκευής και μην βυθίσετε ποτέ οποιοδήποτε μέρος της σε υγρό.

Αξεσουάρ

Προειδοποίηση! Επειδή τα αξεσουάρ που δεν προσφέρει η BLACK+DECKER δεν έχουν δοκιμαστεί με αυτό το προϊόν, η χρήση τέτοιων αξεσουάρ με αυτό το εργαλείο θα μπορούσε να είναι επικίνδυνη. Για να μειώσετε τον κίνδυνο τραυματισμού, με το προϊόν αυτό θα πρέπει να χρησιμοποιείτε μόνο αξεσουάρ που συνιστά η BLACK+DECKER.

Τα αξεσουάρ που συνιστώνται για χρήση με το εργαλείο σας διατίθενται έναντι πρόσθετης χρέωσης στον τοπικό σας αντιπρόσωπο ή σε εξουσιοδοτημένο κέντρο σέρβις.

- ◆ TRA704T – Επίπεδος συρμάτινος συρραπτήρας 6 mm, 10,6x 1,26 mm
- ◆ TRA705T – Επίπεδος συρμάτινος συρραπτήρας 8 mm, 10,6x 1,26 mm
- ◆ TRA706T – Επίπεδος συρμάτινος συρραπτήρας 10 mm, 10,6x 1,26 mm
- ◆ TRA708T – Επίπεδος συρμάτινος συρραπτήρας 12 mm, 10,6x 1,26 mm
- ◆ TRA709T – Επίπεδος συρμάτινος συρραπτήρας 14 mm, 10,6x 1,26 mm
- ◆ SWK-BN0625T – Καρφιά 15 mm/5/8"/18ga τύπου J

Προστασία του περιβάλλοντος



Χωριστή συλλογή. Τα προϊόντα και οι μπαταρίες που επισημαίνονται με αυτό το σύμβολο δεν πρέπει να απορρίπτονται μαζί με τα κανονικά οικιακά απορρίμματα.

Τα προϊόντα και οι μπαταρίες περιέχουν υλικά που μπορούν να ανακτηθούν ή να ανακυκλωθούν, ώστε να μειωθούν οι ανάγκες για πρώτες ύλες.

Παρακαλούμε να ανακυκλώνετε τα ηλεκτρικά προϊόντα και τις μπαταρίες σύμφωνα με τους τοπικούς κανονισμούς.

Περισσότερες πληροφορίες διατίθενται στον ιστότοπο www.2helpU.com

Τεχνικά χαρακτηριστικά

		BCN115
Τάση	V _{DC}	3,6
Μέγεθος συρραπτήρα	mm	6 - 14
Μέγεθος καρφιών	mm	15
Βάρος	kg	0,9

Στάθμη ηχητικής πίεσης κατά EN 660745:

Στάθμη ηχητικής πίεσης εκπομπής: (L_{PA}): 77 dB(A), K=3 dB(A).

Μετρημένη στάθμη ηχητικής ισχύος: (L_{WA}): 88 dB(A), K=3 dB(A).

Συνολικές τιμές κραδασμών (διανυσματικό άθροισμα τριών αξόνων) κατά EN 60745:

Στάθμη κραδασμών: (ah): 5,7 m/s², K=1,5 m/s²

Δήλωση συμμόρφωσης ΕΚ

ΟΔΗΓΙΑ ΣΧΕΤΙΚΑ ΜΕ ΜΗΧΑΝΗΜΑΤΑ



BCN115 Συρραπτικό χειροτεχνίας

Η Black & Decker δηλώνει ότι τα προϊόντα αυτά που περιγράφονται στα "τεχνικά χαρακτηριστικά" συμμορφώνονται με τα ακόλουθα:

2006/42/ΕΚ, EN60745-1:2009+A11:2010 και EN60745-2-16:2010, Αυτά τα προϊόντα συμμορφώνονται και με τις Ευρωπαϊκές Οδηγίες 2014/30/ΕΕ και 2011/65/ΕΕ.

Για περισσότερες πληροφορίες, επικοινωνήστε με την Black & Decker στην παρακάτω διεύθυνση ή ανατρέξτε στο πίσω μέρος του εγχειριδίου.

Ο κάτωθι υπογεγραμμένος είναι υπεύθυνος για την κατάρτιση του τεχνικού φακέλου και δηλώνει τα παρόντα εκ μέρους της Black & Decker.

Patrick Diepenbach

Patrick Diepenbach

Γενικός διευθυντής, Μπενελούξ

Black and Decker,

Egide Walschaertsstraat 14-18

2800 Mechelen, Belgium (Βέλγιο)

15/12/2021

Εγγύηση

Η Black & Decker είναι σίγουρη για την ποιότητα των προϊόντων της και προσφέρει στους καταναλωτές εγγύηση 24 μηνών από την ημερομηνία αγοράς. Αυτή η εγγύηση συμπληρώνει και με κανένα τρόπο δεν παραβιάζει τα νόμιμα δικαιώματά σας. Η εγγύηση ισχύει εντός της επικράτειας των χωρών μελών της Ευρωπαϊκής Ένωσης και της Ευρωπαϊκής Ζώνης Ελεύθερων Συναλλαγών.

Για να υποβάλετε αξίωση βάσει της εγγύησης, η αξίωση θα πρέπει να είναι σύμφωνη με τους Όρους και Προϋποθέσεις της Black&Decker και θα χρειαστεί να υποβάλετε απόδειξη αγοράς στον πωλητή ή σε εξουσιοδοτημένο αντιπρόσωπο σέρβις.

Μπορείτε να αποκτήσετε τους Όρους και προϋποθέσεις της εγγύησης 2 ετών της Black&Decker και να μάθετε την τοποθεσία του πλησιέστερου εξουσιοδοτημένου αντιπροσώπου επισκευών στο Internet στο www.2helpU.com, ή επικοινωνώντας με το τοπικό σας γραφείο Black & Decker στη διεύθυνση που υποδεικνύεται στο παρόν εγχειρίδιο. Παρακαλούμε επισκεφθείτε την ιστοσελίδα μας www.blackanddecker.gr για να καταχωρίσετε το νέο σας προϊόν BLACK+DECKER και για να ενημερωέστε για τα νέα προϊόντα και τις ειδικές προσφορές.

België/Belgique/Luxembourg www.blackanddecker.be enduser.be@sbdinc.com	Stanley Black & Decker Belgium BVBA Egide Walschaertsstraat 16 2800 Mechelen	Tel. NL +32 15 47 37 65 Tel. FR +32 15 47 37 66 Fax. +32 15 47 37 99
Danmark	Black & Decker Roskildevej 22 2620 Albertslund	kundeservice.dk@sbdinc.com www.blackanddecker.dk
Deutschland www.blackanddecker.de infobfge@sdbinc.com	Stanley Black & Decker Deutschland GmbH Black & Decker Str. 40, D - 65510 Idstein	Tel. 06126 21-0 Fax 06126 21-2980
Ελλάδα www.blackanddecker.gr greece.service@sbdinc.com	Stanley Black & Decker (ΕΛΛΑΣ) Ε.Π.Ε ΓΡΑΦΕΙΑ: Σπύριδωνος 7 & Βουλιαγμένης 166 74 Γλυφάδα - Αθήνα	Τηλ. 210-8981616 Φαξ 210-8983570
SERVICE:	Ημερος Τόπος 2 -Χάνι Αδάμ 193 00 Ασπρόπυργος - Αθήνα	Τηλ. Service 210-8985208 Φαξ 210-5597598
España www.blackanddecker.es respuesta.posventa@sbdinc.com	Stanley Black & Decker Ibérica, S.C.A. Parc de Negocis "Mas Blau" Edificio Muntadas, c/Bergadà, 1, Of. A6 08820 El Prat de Llobregat (Barcelona)	Tel. 934 797 400 Fax 934 797 419
France www.blackanddecker.fr	Black & Decker (France) S.A.S. 5 allée des Hêtres B.P. 30084 69579 Limonest Cédex	Tel. 04 72 20 39 20 Fax 04 72 20 39 00
Helvetia www.blackanddecker.ch service@rofoag.ch	ROFO AG Gewerbezone Seeblick 3213 Kleinbösingen	Tel. 026-6749393 Fax 026-6749394
Italia www.blackanddecker.it service.italia@sbdinc.com	Stanley Black & Decker Italia Via Energypark 6 20871 Vimercate (MB)	Tel. 039-9590200 Fax 039-9590313 Numero verde 800-213935
Nederland www.blackanddecker.nl enduser.nl@sbdinc.com	Stanley Black & Decker Netherlands BV Holtum Noordweg 35, 6121 RE BORN Postbus 83, 6120 AB BORN	Tel. +31 164 283 065 Fax +31 164 283 200
Norge	Black & Decker Postboks 4613, Nydalen 0405 Oslo	kundeservice.no@sbdinc.com www.blackanddecker.no
Österreich www.blackanddecker.at service.austria@sbdinc.com	Stanley Black & Decker Austria GmbH Oberlaaerstraße 248, A-1230 Wien	Tel. 01 66116-0 Fax 01 66116-614
Portugal www.blackanddecker.pt resposta.posvenda@sbdinc.com	Black & Decker Limited SARL Quinta da Fonte - Edifício Q55 D, Diniz Rua dos Malhães, 2 e 2A - Piso 2 Esquerdo 2770 - 071 Paço de Arcos	Tel. 214667500 Fax 214667580
Suomi	Black & Decker PL47 00521, Helsinki	asiakaspalvelu.fi@sbdinc.com www.blackanddecker.fi
Sverige	Black & Decker AB Box 94, 431 22 Mölndal	kundservice.se@sbdinc.com www.blackanddecker.se
Türkiye www.blackanddecker.com.tr	KALE Hırdavat ve Makina A.Ş. Defferdar Mah. Savaklar Cad. No:15 Edimekapı / Eyüp / İstanbul 34050	Tel. 0212 533 52 55 Fax. 0212 533 10 05
United Kingdom & Republic Of Ireland www.blackanddecker.co.uk emeaservice@sbdinc.com	Black & Decker 270 Bath Road Slough, Berkshire SL1 4DX	Tel. 01753 511234 Fax 01753 512365
Middle East & Africa www.blackanddecker.ae service.mea@sbdinc.com	Black & Decker P.O.Box - 17164 Jebel Ali Free Zone (South), Dubai, UAE	Tel. +971 4 8863030 Fax +971 4 8863333