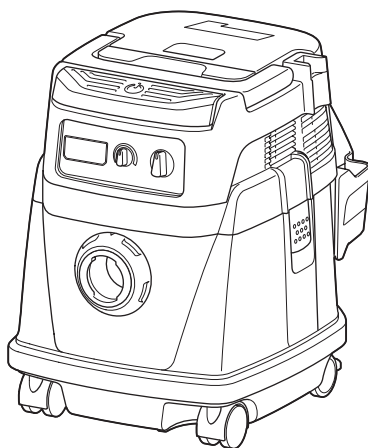




EN	Corded and Cordless Vacuum Cleaner	INSTRUCTION MANUAL	6
FR	Aspirateur Batterie Et Filaire	MANUEL D'INSTRUCTIONS	14
DE	Akku- und Netzsauger	BETRIEBSANLEITUNG	23
IT	Aspirapolvere a filo e a batteria	ISTRUZIONI PER L'USO	33
NL	Stroom- en accustofzuiger	GEBRUIKSAANWIJZING	43
ES	Aspiradora Alámbrica / Inalámbrica	MANUAL DE INSTRUCCIONES	52
PT	Aspirador de Água e Pó a Bateria / Elétrico	MANUAL DE INSTRUÇÕES	61
DA	Støvsuger med eller uden ledning	BRUGSANVISNING	70
EL	Ενσύρματη και φορητή σκούπα αναρρόφησης	ΕΓΧΕΙΡΙΔΙΟ ΟΔΗΓΙΩΝ	79
TR	Kablolu ve Akülü Süpürge	KULLANMA KILAVUZU	89

DVC150L
DVC151L



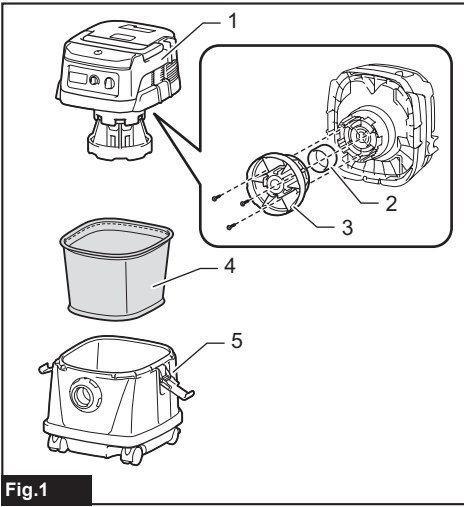


Fig.1

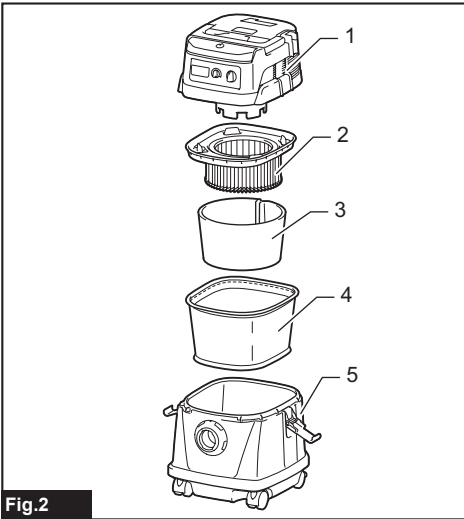


Fig.2

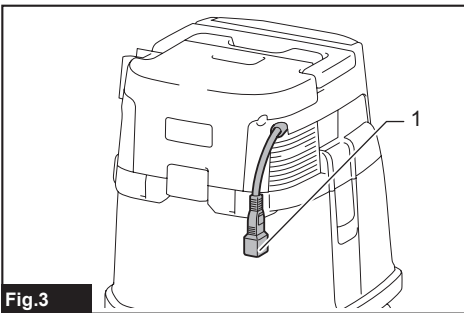


Fig.3

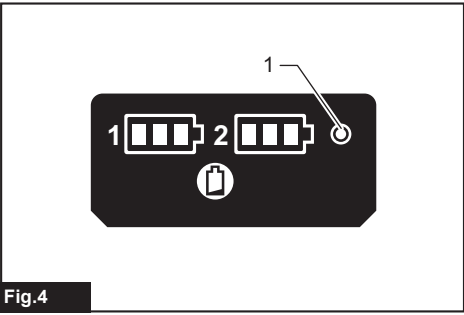


Fig.4

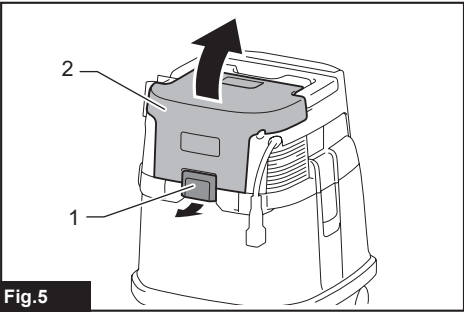


Fig.5

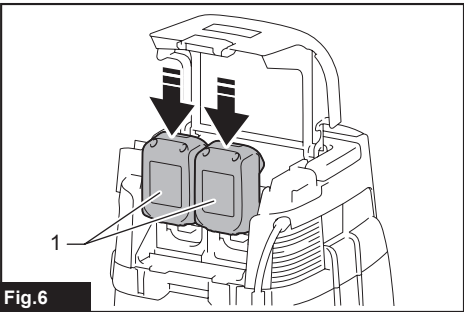


Fig.6

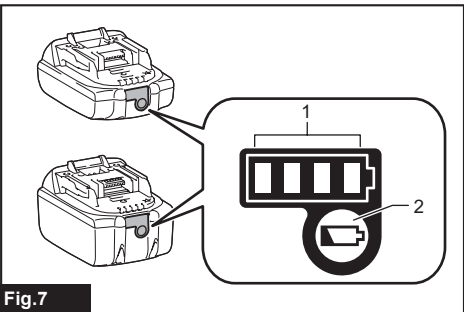
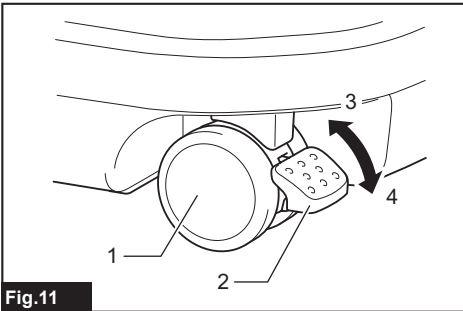
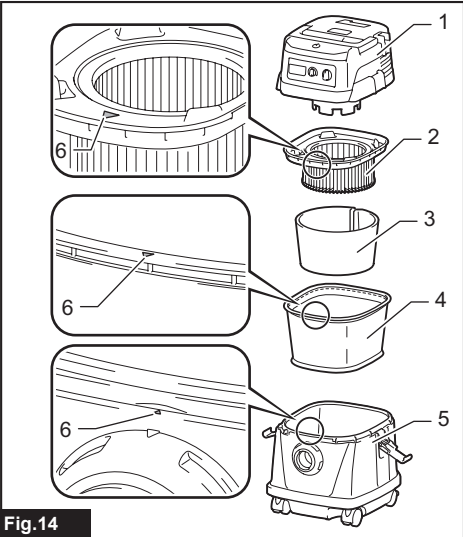
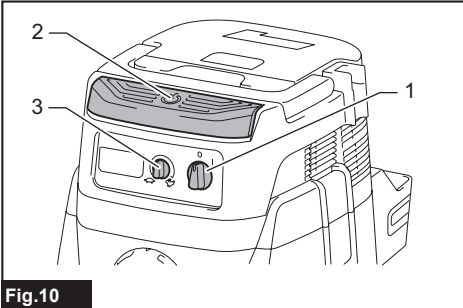
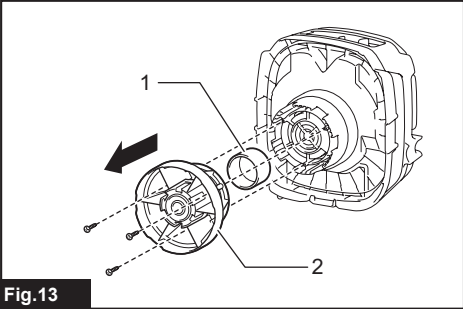
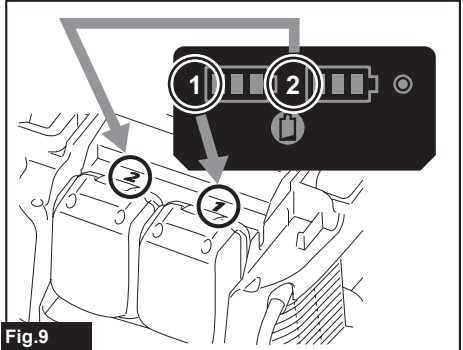
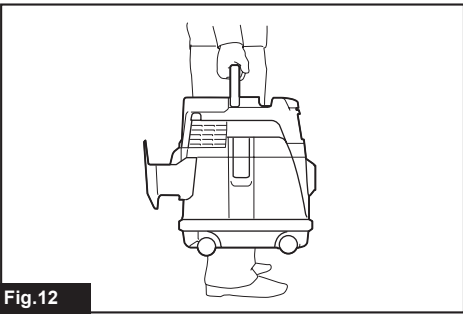
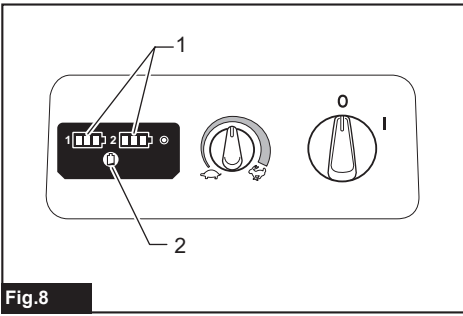
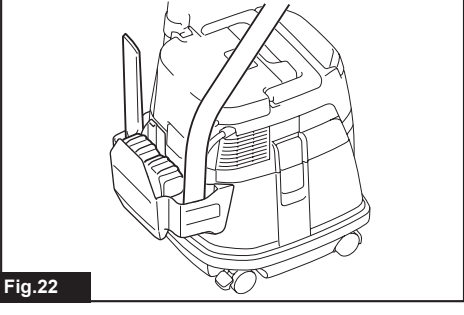
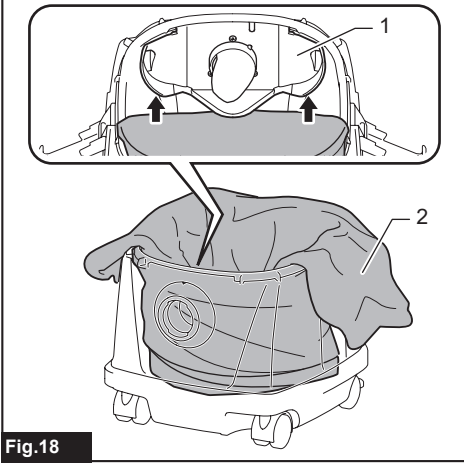
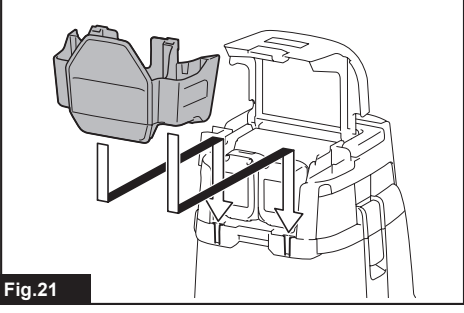
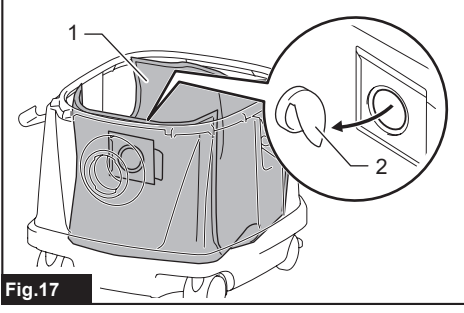
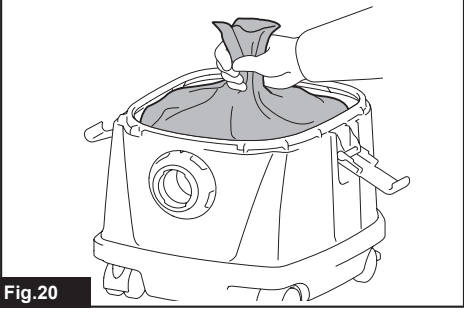
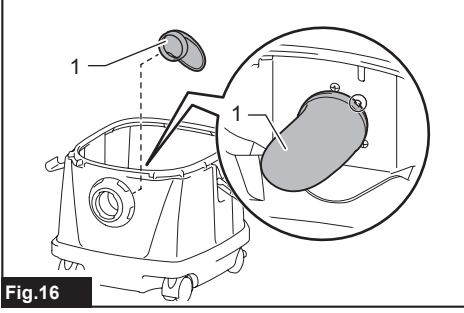
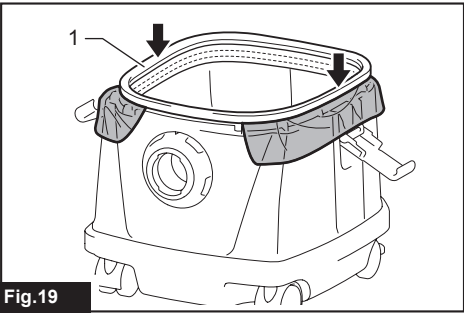
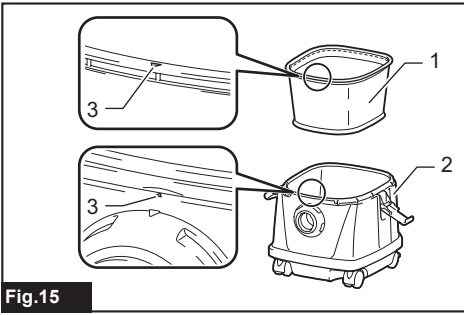


Fig.7





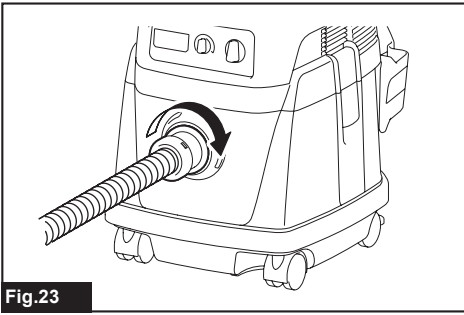


Fig.23

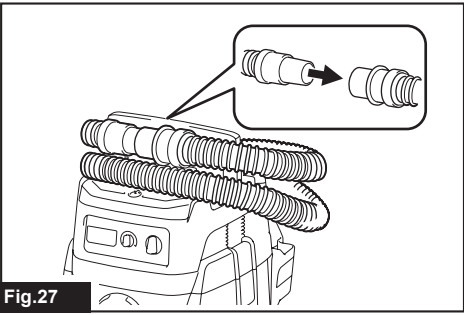


Fig.27

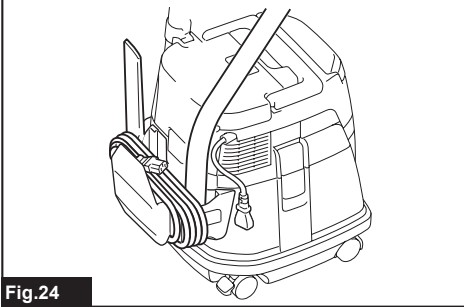


Fig.24

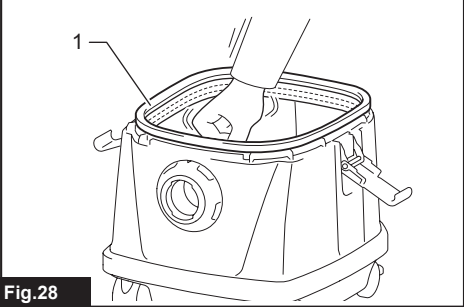


Fig.28

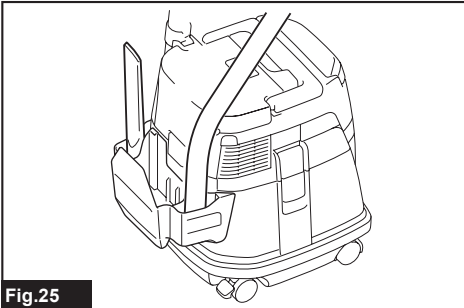


Fig.25

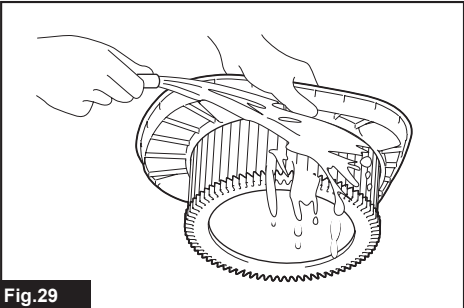


Fig.29

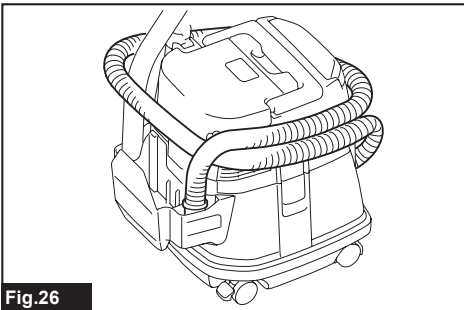


Fig.26

WARNING

This machine is not intended for use by persons (including children) with reduced physical, sensory or mental capabilities, or a lack of experience and knowledge.

Children should be supervised to ensure that they do not play with the appliance.

SPECIFICATIONS

Model:		DVC150L	DVC151L
Standard filter type		Cloth filter (for dry and wet dust)	Powder filter (for dry dust)
Volume flow (air)	DC operation (with BL1850B, ø38 mm x 2.5 m hose)	2.1 m ³ /min	
	AC operation (with ø38 mm x 2.5 m hose)	3.6 m ³ /min	
Vacuum	DC operation (with BL1850B, ø38 mm x 2.5 m hose)	9.0 kPa	
	AC operation (with ø38 mm x 2.5 m hose)	24.0 kPa	
Recoverable capacity	Dust	15 L	
	Water	12 L	-
Dimensions (L x W x H)		366 mm x 334 mm x 421 mm	
Rated voltage		D.C. 36 V	
Net weight		8.9 - 9.6 kg	9.6 - 10.3 kg
Safety class		□/II	

- Due to our continuing program of research and development, the specifications herein are subject to change without notice.
- Specifications and battery cartridge may differ from country to country.
- The weight does not include accessories but battery cartridge(s). The lightest and heaviest combination weight of the appliance and battery cartridge(s) are shown in the table.
- For wet dust, the float and the water filter or cloth filter are required.

Applicable battery cartridge and charger

Battery cartridge	BL1815N / BL1820 / BL1820B / BL1830 / BL1830B / BL1840 / BL1840B / BL1850 / BL1850B / BL1860B
Charger	DC18RC / DC18RD / DC18RE / DC18SD / DC18SE / DC18SF

- Some of the battery cartridges and chargers listed above may not be available depending on your region of residence.

⚠WARNING: Only use the battery cartridges and chargers listed above. Use of any other battery cartridges and chargers may cause injury and/or fire.

Symbols

The followings show the symbols used for the equipment. Be sure that you understand their meaning before use.



Read instruction manual.



Take particular care and attention.



Warning! The cleaner may contain hazardous dust.



Never stand on the cleaner.



Dust class L (light). The cleaners are capable of picking up dust class L. Follow your country's regulations relating to dusts and to occupational health and safety.



DOUBLE INSULATION



Only for EU countries
Do not dispose of electric equipment or battery pack together with household waste material! In observance of the European Directives, on Waste Electric and Electronic Equipment and Batteries and Accumulators and Waste Batteries and Accumulators and their implementation in accordance with national laws, electric equipment and batteries and battery pack(s) that have reached the end of their life must be collected separately and returned to an environmentally compatible recycling facility.

Intended use

The tool is suitable for commercial use, for example in hotels, schools, hospitals, factories, shops, offices and rental businesses.

DVC150L

The tool is intended for collecting both wet and dry dust.

DVC151L

The tool is intended for collecting dry dust only.

Power supply

The tool should be connected only to a power supply of the same voltage as indicated on the nameplate, and can only be operated on single-phase AC supply. They are double-insulated and can, therefore, also be used from sockets without earth wire.

Noise

The typical A-weighted noise level determined according to EN60335-2-69:

Model DVC150L

Sound pressure level (L_{pA}) : 75 dB(A)

Uncertainty (K) : 2.5 dB(A)

Model DVC151L

Sound pressure level (L_{pA}) : 75 dB(A)

Uncertainty (K) : 2.5 dB(A)

The noise level under working may exceed 80 dB (A).

NOTE: The declared noise emission value(s) has been measured in accordance with a standard test method and may be used for comparing one tool with another.

NOTE: The declared noise emission value(s) may also be used in a preliminary assessment of exposure.

⚠ WARNING: Wear ear protection.

⚠ WARNING: The noise emission during actual use of the power tool can differ from the declared value(s) depending on the ways in which the tool is used especially what kind of workpiece is processed.

⚠ WARNING: Be sure to identify safety measures to protect the operator that are based on an estimation of exposure in the actual conditions of use (taking account of all parts of the operating cycle such as the times when the tool is switched off and when it is running idle in addition to the trigger time).

Vibration

The vibration total value (tri-axial vector sum) determined according to EN60335-2-69:

Vibration emission ($a_{h,M}$) : 2.5 m/s² or less

Uncertainty (K) : 1.5 m/s²

NOTE: The declared vibration total value(s) has been measured in accordance with a standard test method and may be used for comparing one tool with another.

NOTE: The declared vibration total value(s) may also be used in a preliminary assessment of exposure.

⚠ WARNING: The vibration emission during actual use of the power tool can differ from the declared value(s) depending on the ways in which the tool is used especially what kind of workpiece is processed.

⚠ WARNING: Be sure to identify safety measures to protect the operator that are based on an estimation of exposure in the actual conditions of use (taking account of all parts of the operating cycle such as the times when the tool is switched off and when it is running idle in addition to the trigger time).

EC Declaration of Conformity

For European countries only

The EC declaration of conformity is included as Annex A to this instruction manual.

SAFETY WARNINGS

Corded and cordless vacuum cleaner safety warnings

⚠ WARNING: IMPORTANT! READ CAREFULLY all safety warnings and all instructions BEFORE USE. Failure to follow the warnings and instructions may result in electric shock, fire and/or serious injury.

1. Before use, make sure that this cleaner must be used by people who have been adequately instructed on the use of this cleaner.
2. If foam/liquid comes out, switch off immediately.
3. Clean the water level limiting device regularly and examine it for signs of damage.
4. Do not use the cleaner without the filter. Replace a damaged filter immediately.
5. **USE OF EXTENSION CORD.** When using an extension cord because of the great distance to your power source, try to employ a cord that is sufficiently thick but not too long, or cleaner performance will be adversely affected. For outdoor applications use an extension cord suitable for outdoor use.
6. **VOLTAGE WARNING:** Before connecting the cleaner to a power source (receptacle, outlet, etc.) be sure the voltage supplied is the same as that specified on the nameplate of the cleaner. A power source with voltage greater than that specified for the cleaner can result in **SERIOUS INJURY** to the operator as well as damage to the cleaner. If in doubt, **DO NOT PLUG IN THE CLEANER.** Using a power source with voltage less than the nameplate rating is harmful to the motor.
7. **AVOID UNINTENTIONAL STARTING.** Be sure switch is OFF when plugging in.
8. Do not attempt to pick up flammable materials, fire works, lighted cigarettes, hot ashes, hot metal chips, sharp materials such as razors, needles, broken glass or the like.
9. **NEVER USE THE CLEANER IN THE VICINITY OF GASOLINE, GAS, PAINT, ADHESIVES OR OTHER HIGHLY EXPLOSIVE SUBSTANCES.** The switch emits sparks when turned ON and OFF. And so does the motor commutator during operation. A dangerous explosion may result.
10. Never vacuum up toxic, carcinogenic, combustible or other hazardous materials such as asbestos, arsenic, barium, beryllium, lead, pesticides, or other health endangering materials.
11. Never use the cleaner outdoors in the rain.
12. Do not use close to heat sources (stoves, etc.).
13. **GUARD AGAINST ELECTRIC SHOCK.** Prevent body contact with grounded surfaces. For example; pipes, radiators, ranges, refrigerator enclosures.
14. Do not block cooling vents. These vents permit cooling of the motor. Blockage should be carefully avoided otherwise the motor will burn out from lack of ventilation.
15. Keep proper footing and balance at all times.
16. **DO NOT ABUSE CORD.** Never carry the cleaner by cord or yank it to disconnect from receptacle. Keep cord away from heat, oil, and sharp edges. Inspect cleaner cords periodically and if damaged, have repaired by authorized service facility. Inspect extension cords periodically and replace if damaged.
17. Do not fold, tug or step on the hose.
18. Stop the cleaner immediately if you notice poor performance or anything abnormal during operation.
19. **DISCONNECT THE CLEANER.** When not in use, before servicing, and when changing accessories.
20. Clean and service the cleaner immediately after each use to keep it in tiptop operating condition.
21. **MAINTAIN THE CLEANER WITH CARE.** Keep the cleaner clean for better and safer performance. Follow instructions for changing accessories. Keep handles dry, clean, and free from oil and grease.
22. **CHECK DAMAGED PARTS.** Before further use of the cleaner, a guard or other part that is damaged should be carefully checked to determine that it will operate properly and perform its intended function. Check for alignment of moving parts, binding of moving parts, breakage of parts, mounting, and any other conditions that may affect its operation. A guard or other part that is damaged should be properly repaired or replaced by an authorized service center unless otherwise indicated elsewhere in this instruction manual. Have defective switches replaced by authorized service center. Don't use the cleaner if switch does not turn it on and off.
23. **REPLACEMENT PARTS.** When servicing, use only identical replacement parts.
24. **STORE IDLE CLEANER.** When not in use, the cleaner should be stored indoors.
25. Wet filters and the interior part of the liquid container shall be dried before storage.
26. Be kind to your cleaner. Rough handling can cause breakage of even the most sturdily built cleaner.
27. Do not attempt to clean the exterior or interior with benzine, thinner or cleaning chemicals. Cracks and discoloration may be caused.
28. Do not use cleaner in an enclosed space where flammable, explosive or toxic vapors are given off by oil-base paint, paint-thinner, gasoline, some mothproofing substances, etc., or in areas where flammable dust is present.
29. Do not leave the cleaner cord lying on the floor after you have finished a cleaning job. It can become a tripping hazard or may cause damage to the cleaner.
30. Do not operate this or any tool while under the influence of drugs or alcohol.
31. As a basic rule of safety, use safety goggles or safety glasses with side shields.
32. Use a dust mask in dusty work conditions.
33. This machine is not intended for use by persons including children with reduced physical, sensory or mental capabilities, or lack of experience and knowledge.
34. Young children should be supervised to ensure that they do not play with the cleaner.
35. Never handle plug cord or cleaner with wet hands.
36. Use extreme caution when cleaning on stairs.
37. Do not use the cleaner as a stool or work bench. The machine may fall down and may result in personal injury.

Battery tool use and care

1. **Recharge only with the charger specified by the manufacturer.** A charger that is suitable for one type of battery pack may create a risk of fire when used with another battery pack.
2. **Use power tools only with specifically designed battery packs.** Use of any other battery packs may create a risk of injury and fire.
3. **When battery pack is not in use, keep it away from other metal objects, like paper clips, coins, keys, nails, screws or other small metal objects, that can make a connection from one terminal to another.** Shorting the battery terminals together may cause burns or a fire.
4. **Under abusive conditions, liquid may be ejected from the battery; avoid contact. If contact accidentally occurs, flush with water. If liquid contacts eyes, additionally seek medical help.** Liquid ejected from the battery may cause irritation or burns.
5. **Do not use a battery pack or tool that is damaged or modified.** Damaged or modified batteries may exhibit unpredictable behaviour resulting in fire, explosion or risk of injury.
6. **Do not expose a battery pack or tool to fire or excessive temperature.** Exposure to fire or temperature above 130 °C may cause explosion.
7. **Follow all charging instructions and do not charge the battery pack or tool outside the temperature range specified in the instructions.** Charging improperly or at temperatures outside the specified range may damage the battery and increase the risk of fire.
6. **Do not store the tool and battery cartridge in locations where the temperature may reach or exceed 50 °C (122 °F).**
7. **Do not incinerate the battery cartridge even if it is severely damaged or is completely worn out. The battery cartridge can explode in a fire.**
8. **Be careful not to drop or strike battery.**
9. **Do not use a damaged battery.**
10. **The contained lithium-ion batteries are subject to the Dangerous Goods Legislation requirements.** For commercial transports e.g. by third parties, forwarding agents, special requirement on packaging and labeling must be observed. For preparation of the item being shipped, consulting an expert for hazardous material is required. Please also observe possibly more detailed national regulations. Tape or mask off open contacts and pack up the battery in such a manner that it cannot move around in the packaging.
11. **Follow your local regulations relating to disposal of battery.**
12. **Use the batteries only with the products specified by Makita.** Installing the batteries to non-compliant products may result in a fire, excessive heat, explosion, or leak of electrolyte.

SAVE THESE INSTRUCTIONS.

⚠WARNING: DO NOT let comfort or familiarity with product (gained from repeated use) replace strict adherence to safety rules for the subject product. MISUSE or failure to follow the safety rules stated in this instruction manual may cause serious personal injury.

Important safety instructions for battery cartridge

1. Before using battery cartridge, read all instructions and cautionary markings on (1) battery charger, (2) battery, and (3) product using battery.
2. Do not disassemble battery cartridge.
3. If operating time has become excessively shorter, stop operating immediately. It may result in a risk of overheating, possible burns and even an explosion.
4. If electrolyte gets into your eyes, rinse them out with clear water and seek medical attention right away. It may result in loss of your eyesight.
5. Do not short the battery cartridge:
 - (1) Do not touch the terminals with any conductive material.
 - (2) Avoid storing battery cartridge in a container with other metal objects such as nails, coins, etc.
 - (3) Do not expose battery cartridge to water or rain. A battery short can cause a large current flow, overheating, possible burns and even a breakdown.

SAVE THESE INSTRUCTIONS.

⚠CAUTION: Only use genuine Makita batteries. Use of non-genuine Makita batteries, or batteries that have been altered, may result in the battery bursting causing fires, personal injury and damage. It will also void the Makita warranty for the Makita tool and charger.

Tips for maintaining maximum battery life

1. Charge the battery cartridge before completely discharged. Always stop tool operation and charge the battery cartridge when you notice less tool power.
2. Never recharge a fully charged battery cartridge. Overcharging shortens the battery service life.
3. Charge the battery cartridge with room temperature at 10 °C - 40 °C (50 °F - 104 °F). Let a hot battery cartridge cool down before charging it.
4. Charge the battery cartridge if you do not use it for a long period (more than six months).

PARTS DESCRIPTION

Model DVC150L

(Cloth filter (for dry and wet dust) model)

- Fig.1: 1. Tank cover 2. Float 3. Float cage 4. Cloth filter 5. Tank

Model DVC151L

(Powder filter (for dry dust) model)

- Fig.2: 1. Tank cover 2. Powder filter (HEPA) 3. Damper 4. Prefilter 5. Tank

FUNCTIONAL DESCRIPTION

Use with AC power:

⚠ WARNING: Before plugging the cleaner, always make sure that the cleaner is switched off. Plugging the cleaner with the switch on may cause an unexpected start resulting in serious personal injury.

Connect the plug to a power supply.

► **Fig.3:** 1. Plug (the shape and cord length may differ from country to country)

The AC power indicator lights up when setting the stand-by switch to "I" side.

► **Fig.4:** 1. AC power indicator

NOTE: Even operating in DC power mode, the cleaner is automatically changed into AC power mode when plugged in.

NOTE: If the cleaner is unplugged during operation with the battery inserted, the cleaner gets into stand-by state.

Use with battery:

⚠ CAUTION: Always be sure that the cleaner is switched off, unplugged, and the battery cartridge is removed before adjusting or checking function on the cleaner.

Installing or removing battery cartridge

⚠ CAUTION: Always switch off the tool before installing or removing of the battery cartridge.

⚠ CAUTION: Hold the cleaner and the battery cartridge firmly when installing or removing battery cartridge. Failure to hold the cleaner and the battery cartridge firmly may cause them to slip off your hands and result in damage to the cleaner and battery cartridge and a personal injury.

⚠ CAUTION: Be careful not to pinch your fingers when opening or closing the battery cover. Failure to do so may cause personal injury.

To install the battery cartridge, release the lock first, and then open the battery cover. After that, insert the battery cartridge.

► **Fig.5:** 1. Lock 2. Battery cover

Align the tongue on the battery cartridge with the groove in the housing and slip it into place. Insert it all the way until it locks in place with a little click. Then lock the battery cover.

► **Fig.6:** 1. Battery cartridge

To remove the battery cartridge, slide it from the tool while sliding the button in front of the cartridge.

⚠ CAUTION: Always install the battery cartridge fully until the red indicator cannot be seen. If not, it may accidentally fall out of the cleaner, causing injury to you or someone around you.

⚠ CAUTION: Do not install the battery cartridge forcibly. If the cartridge does not slide in easily, it is not being inserted correctly.

NOTE: The cleaner does not work with only one battery cartridge.

NOTE: Remove the plug of the cleaner from the extension cord when using the cleaner with the batteries.

Indicating the remaining battery capacity

Only for battery cartridges with the indicator

► **Fig.7:** 1. Indicator lamps 2. Check button

Press the check button on the battery cartridge to indicate the remaining battery capacity. The indicator lamps light up for a few seconds.

Indicator lamps			Remaining battery capacity
Lighted	Off	Blinking	
■	□	◐	75% to 100%
■	■	□	50% to 75%
■	■	□	25% to 50%
■	□	□	0% to 25%
◐	□	□	Charge the battery.
■	■	□	The battery may have malfunctioned.
□	□	■	

NOTE: Depending on the conditions of use and the ambient temperature, the indication may differ slightly from the actual capacity.

Indicating the remaining battery capacity

► **Fig.8:** 1. Battery indicator 2. Check button

► **Fig.9**

Press the check button to indicate the remaining battery capacities. The battery indicators correspond to each battery.

Battery indicator status			Remaining battery capacity
On	Off	Blinking	
■	□	◐	50% to 100%
■	■	□	20% to 50%
■	□	□	0% to 20%
◐	□	□	Charge the battery

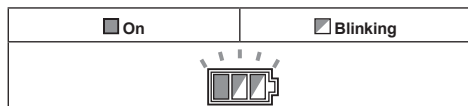
Tool / battery protection system

The tool is equipped with a tool/battery protection system. This system automatically cuts off power to the motor to extend tool and battery life. The tool will automatically stop during operation if the tool or battery is placed under one of the following conditions:

Overload protection

When the tool is operated in a manner that causes it to draw an abnormally high current, the tool automatically stops without any indication. In this situation, turn the tool off and stop the application that caused the tool to become overloaded. Then turn the tool on to restart.

Overheat protection



When the tool is overheated, the tool stops automatically, and the battery indicator blinks about 60 seconds. In this situation, let the tool cool down before turning the tool on again.

Overdischarge protection

When the battery capacity becomes low, the tool stops automatically. If the product does not operate even when the switches are operated, remove the batteries from the tool and charge the batteries.

Switch action



- **Fig.10:** 1. Stand-by switch 2. Power button
3. Suction force adjusting knob

To start the cleaner:

1. Set the stand-by switch to the "I" side. The cleaner gets into stand-by state.
2. Press the power button.

To make the cleaner get into stand-by mode, press the power button again.

To turn off the cleaner, set the stand-by switch to the "O" side.

The suction power can be adjusted according to your work need. Suction power can be increased by turning the suction force adjusting knob from the  symbol to the  symbol.

NOTICE: Always set the stand-by switch to the "O" side when not using the cleaner for long time. The cleaner consumes power during stand-by state.

Auto-suction stop during wet suction operation

Only for the cloth filter model

⚠ WARNING: Do not use for a long time while the float is at work. Using the cleaner with its float at work for a long time can cause overheat, resulting in the cleaner deformation.

⚠ WARNING: Do not pick up foam or soapy liquid. Picking up foam or soapy liquid can cause foam to come out of air exit before the float works. Continuing to using in this condition may cause an electric shock and breakage of the cleaner.

Auto-suction stop works only when using with the float and float cage.

The cleaner has a float mechanism that prevents water from immersing into the motor when picking up more than a certain amount of water. When the tank is full and the cleaner no longer picks up water, switch off the cleaner and empty the tank.

Locking or unlocking the caster

- **Fig.11:** 1. Caster 2. Stopper lever 3. FREE position
4. LOCK position

Locking the caster is convenient when storing the cleaner, stopping the work on the way and keeping the cleaner still. To operate the stopper, move it by hand.

To lock the caster with a stopper, lower the stopper lever and the caster no longer will rotate. To release the caster from the locked position, raise the stopper lever.

NOTE: When moving the cleaner, make sure that the caster is unlocked. Moving the cleaner with the caster in the locked position may cause damage to the caster.

Carriage handle

When carrying the cleaner, carry it by holding the handle on the head. The handle is retractable at the head when not in use.

- **Fig.12**

ASSEMBLY

⚠ CAUTION: Always be sure that the cleaner is switched off, unplugged, and the battery cartridge is removed before carrying out any work on the cleaner.

⚠ CAUTION: Always wear dust mask during assembly or maintenance.

Installing the powder filter (HEPA) and prefilter (for dry dust)

Optional accessory for cloth filter model

⚠ CAUTION: Never pick up water or other liquids or wet dusts when using the powder filter. Picking up such things may cause the powder filter breakage.

To use powder filter:

1. Remove the float cage and float by removing the bolts.

- **Fig.13:** 1. Float 2. Float cage

2. Place the prefilter in the tank with aligning the mounting position markings.
3. Mount the damper on the powder filter and then place them in the prefilter with aligning the mounting position markings.
4. Finally, mount the tank cover and lock it.

- **Fig.14:** 1. Tank cover 2. Powder filter (HEPA)
3. Damper 4. Prefilter 5. Tank 6. Mounting position marking

NOTICE: Before using the powder filter, make sure that prefilter and damper are always used together. It is not allowed to install powder filter solely.

Installing the water filter

Optional accessory for cloth filter model

⚠ CAUTION: Never pick up water or wet dust without the float and the cloth filter or the water filter.

⚠ CAUTION: For picking up wet dust, make sure that the float cage and the float are installed on the cleaner.

⚠ CAUTION: When installing the water filter on the tank, set it tight at the opening of the tank so that the hook of the water filter engages the tank opening firmly and there is no space between the water filter and the tank.

To pick up water or wet dust only, the water filter is more suitable than the cloth filter.

When installing the water filter, align its mounting position mark with the one on the tank.

► **Fig.15:** 1. Water filter 2. Tank 3. Mounting position marking

NOTE: It is recommended using water filter when picking up large amount of water repeatedly. Otherwise vacuum ability may be reduced in case of cloth filter.

Installing the paper pack

Optional accessory

⚠ WARNING: When using the paper pack, also use the cloth filter or prefilter together that is preinstalled on the cleaner. Failure to use the cloth filter / prefilter together may cause unusual noise and heat, resulting in a fire.

⚠ CAUTION: (For the cloth filter model)

- Never pick up water or other liquids or wet dusts when using the paper pack. Picking up such things may cause the paper pack breakage.
- Before using the paper pack, make sure that powder filter (optional accessory), damper (optional accessory) and prefilter are always used together.

⚠ CAUTION: (For the powder filter model)

- Before using the paper pack, make sure that powder filter, damper and prefilter are always used together.

1. Remove the rubber holder.
► **Fig.16:** 1. Rubber holder
2. Extend the paper pack.
3. Align the paper pack opening with the dust suction opening of the cleaner.

4. Insert the cardboard of the paper pack onto the holder so that it is positioned at the end beyond the detent protrusion.

► **Fig.17:** 1. Paper pack 2. Holder

Installing the polyethylene bag

Cleaner can also be used without polyethylene bag. However, using polyethylene bag is easier to empty the tank without letting your hands dirty.

Spread the polyethylene bag in the tank. Insert it between the holder plate and the tank, and pull it to the hose inlet.

► **Fig.18:** 1. Holder plate 2. Polyethylene bag

Spread the bag around the top of the tank so that the cloth filter / prefilter edge can catch and hold the bag securely.

► **Fig.19:** 1. Cloth filter / prefilter

NOTE: A polyethylene bag available on the market can be used. 0.04 mm or thicker one is recommended.

NOTE: Too much dust will tear the bag easily, so do not collect the dust more than the half of the bag capacity.

Emptying the polyethylene bag

⚠ WARNING: Always make sure that the cleaner is switched off, unplugged, and the battery cartridge is removed before emptying the polyethylene bag. Failure to do so may cause an electric shock and serious personal injury.

⚠ CAUTION: Do not apply a great impact on the float cage and tank. Applying a great impact may cause deformation and damage to the parts.

⚠ CAUTION: Empty the tank at least once a day although this depends on picked-up dust volume in the tank. Or, the suction force will weaken and the motor may be broken.

⚠ CAUTION: Do not grab the hook when emptying the tank. Grabbing the hook may cause the hook to break.

Unhook and lift up the tank cover.

Shake off the dust from the cloth filter / prefilter and then take the polyethylene bag out of the tank.

► **Fig.20**

NOTE: Take the polyethylene bag carefully out of the tank so that the polyethylene bag cannot be caught and torn by the protrusion inside the tank when emptying it.

NOTE: Empty the polyethylene bag before it becomes full. Too much dust in the tank may cause the polyethylene bag to be torn.

Installing the tool box

1. Release the lock of the battery cover, and open the battery cover.
2. Set the rails on the tool box along the grooves on the housing.

3. Close the battery cover and apply the lock.

► **Fig.21**

The tool box is convenient for carrying batteries, extension code, pipe, or cuffs.

► **Fig.22**

Connecting the hose

NOTICE: Never force the hose for bending or stamp it. Never move the cleaner by a hose. Forcing, stamping and pulling the hose may cause a breakage or deformation of the hose.

NOTICE: When picking up large wastes such as planer carvings, concrete dusts or similar other than small wastes, use the 38 mm inner diameter hose (optional accessory). Using the 28 mm inner diameter hose (optional accessory) may cause a hose stuffing and damage.

Insert the hose onto the mounting port of the tank and turn it clockwise until it locks.

► Fig.23

MAINTENANCE

CAUTION: Always be sure that the cleaner is switched off, unplugged, and the battery cartridge is removed before attempting to perform inspection or maintenance.

NOTICE: Never use gasoline, benzine, thinner, alcohol or the like. Discoloration, deformation or cracks may result.

To maintain product SAFETY and RELIABILITY, repairs, any other maintenance or adjustment should be performed by Makita Authorized or Factory Service Centers, always using Makita replacement parts.

Storage of power supply cord

You can wind up the power supply cord around the tool box.

► Fig.24

Storage of accessories

The pipes can be placed into the pipe holder when not using the cleaner for a short time.

► Fig.25

► Fig.26

The hose can be stored around the tool by connecting each ends.

► Fig.27

Cleaning of cloth filter

Only for the cloth filter model

Clogged cloth filter causes poor suction performance. Clean out the cloth filter from time to time.

To remove dust or particles adhering to the cloth filter, shake the frame bottom quickly several times.

► Fig.28: 1. Cloth filter

Cleaning of powder filter (HEPA) and prefilter

Only for the powder filter model

Clogged powder filter, prefilter and damper cause poor suction performance. Clean out the filters and dampers from time to time.

To remove dust or particles adhering to the filters, shake the frame bottom quickly several times.

► Fig.29

Occasionally wash the powder filter in water, rinse and dry thoroughly in the shade before use. Never wash filters in a washing machine.

NOTE: Do not rub or scratch the powder filter, the prefilter or the damper with hard objects such as a brush and a paddle.

NOTE: The filters wear out in course of time. It is recommended to have some spares for them.

OPTIONAL ACCESSORIES

CAUTION: These accessories or attachments are recommended for use with your Makita tool specified in this manual. The use of any other accessories or attachments might present a risk of injury to persons. Only use accessory or attachment for its stated purpose.

If you need any assistance for more details regarding these accessories, ask your local Makita Service Center.

- Hose
- Front cuff (22, 24, 38)
- Straight pipe
- Corner nozzle
- Round brush
- Powder filter, HEPA (for dry dust)
- Damper
- Prefilter
- Nozzle assembly
- Bent pipe
- Polyethylene bag
- Paper pack
- Holder set
- Water Filter (option for the cloth filter model)
- Makita genuine battery and charger

NOTE: Some items in the list may be included in the tool package as standard accessories. They may differ from country to country.

AVERTISSEMENT

Cette machine n'est pas destinée à être utilisée par des personnes (y compris les enfants) aux facultés physiques, sensorielles ou mentales diminuées ou sans expérience ni expertise. Les enfants doivent faire l'objet d'une surveillance afin d'éviter qu'ils ne jouent avec l'appareil.

SPÉCIFICATIONS

Modèle :		DVC150L	DVC151L
Type de filtre standard		Filtre en tissu (pour les poussières sèches et humides)	Filtre à poudre (pour les poussières sèches)
Débit volumétrique (air)	Fonctionnement CC (avec BL1850B, un tuyau de $\varnothing 38$ mm x 2,5 m)	2,1 m ³ /min	
	Fonctionnement CA (avec un tuyau de $\varnothing 38$ mm x 2,5 m)	3,6 m ³ /min	
Vide	Fonctionnement CC (avec BL1850B, un tuyau de $\varnothing 38$ mm x 2,5 m)	9,0 kPa	
	Fonctionnement CA (avec un tuyau de $\varnothing 38$ mm x 2,5 m)	24,0 kPa	
Capacité de récupération	Poussière	15 L	
	Eau	12 L	-
Dimensions (L x P x H)		366 mm x 334 mm x 421 mm	
Tension nominale		36 V CC	
Poids net		8,9 - 9,6 kg	9,6 - 10,3 kg
Catégorie de sécurité		□/II	

- Étant donné l'évolution constante de notre programme de recherche et de développement, les spécifications contenues dans ce manuel sont sujettes à modification sans préavis.
- Les spécifications et la batterie peuvent être différentes suivant les pays.
- Le poids ne comprend pas les accessoires, mais la ou les batteries. Le poids combiné le plus léger et le plus lourd de l'appareil et de la ou des batteries est indiqué dans le tableau.
- Pour la poussière humide, le flotteur et le filtre à eau ou le filtre en tissu sont nécessaires.

Batterie et chargeur applicables

Batterie	BL1815N / BL1820 / BL1820B / BL1830 / BL1830B / BL1840 / BL1840B / BL1850 / BL1850B / BL1860B
Chargeur	DC18RC / DC18RD / DC18RE / DC18SD / DC18SE / DC18SF

- Certains chargeurs et batteries répertoriés ci-dessus peuvent ne pas être disponibles selon la région où vous résidez.

⚠ AVERTISSEMENT : N'utilisez que les batteries et les chargeurs répertoriés ci-dessus. L'utilisation d'autres batteries et chargeurs peut provoquer des blessures et/ou un incendie.

Symboles

Vous trouverez ci-dessous les symboles utilisés pour l'appareil. Veuillez à comprendre leur signification avant toute utilisation.



Lire le mode d'emploi.



Veuillez être prudent et rester attentif.



Avertissement ! Il se peut que l'aspirateur contienne des poussières dangereuses.



Ne vous tenez jamais sur l'aspirateur.



Catégorie de poussière L (légère). Un aspirateur est capable de ramasser les poussières de catégorie L. Suivez les réglementations de votre pays concernant les poussières et la santé et la sécurité au travail.



DOUBLE ISOLATION



Uniquement pour les pays européens
Ne jetez pas les appareils électriques ou les batteries avec vos ordures ménagères ! Conformément aux directives européennes relatives aux déchets d'équipements électriques et électroniques et aux piles et accumulateurs ainsi qu'aux déchets de piles et d'accumulateurs et leur mise en œuvre conformément aux lois nationales, les équipements électriques et les piles et batteries en fin de vie doivent faire l'objet d'une collecte sélective et être confiés à une usine de recyclage respectueuse de l'environnement.

Utilisations

L'outil est prévu pour un usage commercial, par exemple, dans les hôtels, écoles, hôpitaux, usines, magasins, bureaux et agences de location.

DVC150L

L'outil est conçu pour la collecte des poussières sèches et humides.

DVC151L

L'outil est conçu pour la collecte des poussières sèches uniquement.

Alimentation

L'outil ne devra être raccordé qu'à une alimentation de la même tension que celle qui figure sur la plaque signalétique, et il ne pourra fonctionner que sur un courant secteur monophasé. Réalisé avec une double isolation, il peut de ce fait être alimenté par une prise sans mise à la terre.

Bruit

Niveau de bruit pondéré A typique, déterminé selon EN60335-2-69 :

Modèle DVC150L

Niveau de pression sonore (L_{pA}) : 75 dB (A)

Incertitude (K) : 2,5 dB (A)

Modèle DVC151L

Niveau de pression sonore (L_{pA}) : 75 dB (A)

Incertitude (K) : 2,5 dB (A)

Le niveau de bruit en fonctionnement peut dépasser 80 dB (A).

NOTE : La ou les valeurs d'émission de bruit déclarées ont été mesurées conformément à la méthode de test standard et peuvent être utilisées pour comparer les outils entre eux.

NOTE : La ou les valeurs d'émission de bruit déclarées peuvent aussi être utilisées pour l'évaluation préliminaire de l'exposition.

AVERTISSEMENT : Portez un serre-tête antibruit.

AVERTISSEMENT : L'émission de bruit lors de l'usage réel de l'outil électrique peut être différente de la ou des valeurs déclarées, suivant la façon dont l'outil est utilisé, particulièrement selon le type de pièce usinée.

AVERTISSEMENT : Les mesures de sécurité à prendre pour protéger l'utilisateur doivent être basées sur une estimation de l'exposition dans des conditions réelles d'utilisation (en tenant compte de toutes les composantes du cycle d'utilisation, comme par exemple le moment de sa mise hors tension, lorsqu'il tourne à vide et le moment de son déclenchement).

Vibrations

Valeur totale de vibrations (somme de vecteur triaxial) déterminée selon EN60335-2-69 :

Émission de vibrations ($a_{h,M}$) : 2,5 m/s^2 ou moins

Incertitude (K) : 1,5 m/s^2

NOTE : La ou les valeurs de vibration totales déclarées ont été mesurées conformément à la méthode de test standard et peuvent être utilisées pour comparer les outils entre eux.

NOTE : La ou les valeurs de vibration totales déclarées peuvent aussi être utilisées pour l'évaluation préliminaire de l'exposition.

AVERTISSEMENT : L'émission de vibrations lors de l'usage réel de l'outil électrique peut être différente de la ou des valeurs déclarées, suivant la façon dont l'outil est utilisé, particulièrement selon le type de pièce usinée.

AVERTISSEMENT : Les mesures de sécurité à prendre pour protéger l'utilisateur doivent être basées sur une estimation de l'exposition dans des conditions réelles d'utilisation (en tenant compte de toutes les composantes du cycle d'utilisation, comme par exemple le moment de sa mise hors tension, lorsqu'il tourne à vide et le moment de son déclenchement).

Déclaration de conformité CE

Pour les pays européens uniquement

La déclaration de conformité CE est fournie en Annexe A à ce mode d'emploi.

CONSIGNES DE SÉCURITÉ

Consignes de sécurité pour aspirateur batterie et filaire

⚠️ AVERTISSEMENT : IMPORTANT ! LIRE ATTENTIVEMENT toutes les consignes de sécurité et toutes les instructions **AVANT UTILISATION**. Le non-respect des avertissements et des instructions peut entraîner une électrocution, un incendie et/ou de graves blessures.

1. Avant l'utilisation, veillez à ce que l'aspirateur soit utilisé par des personnes ayant reçu des instructions adéquates quant à son utilisation.
2. Si de la mousse ou un liquide sort, éteignez-le immédiatement.
3. Nettoyez régulièrement le dispositif limitant le niveau d'eau et vérifiez qu'il ne présente pas de signes de dommage.
4. N'utilisez pas l'aspirateur sans le filtre. Remplacez immédiatement le filtre s'il est endommagé.
5. **UTILISATION D'UNE RALLONGE.** Lorsque vous utilisez une rallonge en raison de l'éloignement de votre source d'alimentation, essayez d'employer un cordon qui est suffisamment épais mais pas trop long sous peine d'affecter négativement les performances de l'aspirateur. En cas d'utilisation à l'extérieur, utilisez une rallonge convenant pour l'utilisation à l'air libre.
6. **AVERTISSEMENT DE TENSION :** Avant de connecter l'aspirateur à une source d'alimentation (fiche femelle, prise, etc.), vérifiez que la tension fournie est la même que celle indiquée sur la plaque signalétique de l'aspirateur. Une source d'alimentation avec une tension supérieure à celle spécifiée pour l'aspirateur peut **BLESSER GRAVEMENT** l'opérateur ainsi qu'endommager l'aspirateur. En cas de doute, **NE BRANCHEZ PAS L'ASPIRATEUR**. L'utilisation d'une source d'alimentation avec une tension inférieure à celle sur la plaque signalétique est dangereuse pour le moteur.
7. **ÉVITEZ LES DÉMARRAGES INTEMPESTIFS.** Veillez à mettre l'outil hors tension lors du branchement.
8. N'essayez pas d'aspirer des matériaux inflammables, du matériel pyrotechnique, des cigarettes allumées, des cendres chaudes, des copeaux de métal chauds, des matériaux tranchants comme un rasoir, des aiguilles, des morceaux de verre, etc.
9. **N'UTILISEZ JAMAIS L'ASPIRATEUR À PROXIMITÉ D'ESSENCE, GAZ, PEINTURE, ADHÉSIFS OU AUTRES SUBSTANCES TRÈS EXPLOSIVES.** L'interrupteur émet des étincelles à la mise sous et hors tension. Tout comme le commutateur du moteur pendant le fonctionnement. Une dangereuse explosion peut survenir.
10. N'aspirez jamais des matériaux toxiques, cancérogènes, combustibles ou d'autres produits dangereux comme l'amiante, l'arsenic, le baryum, le béryllium, le plomb, les pesticides ou d'autres matières présentant un danger pour la santé.
11. N'utilisez jamais l'aspirateur à l'extérieur sous la pluie.
12. N'utilisez pas l'aspirateur près de sources de chaleur (cuisinières, etc.).
13. **MESURES DE PRÉVENTION CONTRE L'ÉLECTROCUTION.** Évitez tout contact physique avec des surfaces mises à la terre. Par exemple : tuyaux, radiateurs, cuisinières, réfrigérateurs.
14. **Ne bloquez pas les fentes d'aération.** Ces fentes permettent le refroidissement du moteur. Il faut éviter soigneusement de les bloquer sous peine de griller le moteur en raison d'un manque d'aération.
15. Maintenez constamment une bonne assise et un bon équilibre.
16. **NE MALTRAITEZ PAS LE CORDON D'ALIMENTATION.** Ne transportez jamais l'aspirateur par le cordon, et pour le débrancher de la fiche femelle, ne tirez pas sur le cordon. Tenez le cordon à l'écart de la chaleur, de l'huile et de bords tranchants. Inspectez régulièrement les cordons de l'aspirateur et s'ils sont endommagés, confiez leur réparation à un centre de service après-vente agréé. Inspectez les rallonges périodiquement et remplacez-les si elles sont détériorées.
17. Ne pliez pas le tuyau, ni ne tirez ou marchez dessus.
18. Arrêtez immédiatement l'aspirateur si vous remarquez des performances médiocres ou toute autre anomalie pendant le fonctionnement.
19. **DÉBRANCHEZ L'ASPIRATEUR.** Lorsque vous n'utilisez pas l'aspirateur, avant de le réparer et lors du remplacement des accessoires.
20. Procédez au nettoyage et à l'entretien de l'aspirateur immédiatement après chaque utilisation pour le maintenir dans des conditions de fonctionnement optimales.
21. **ENTRETIENEZ SOIGNEUSEMENT L'ASPIRATEUR.** L'aspirateur doit toujours être propre pour améliorer la sécurité et les performances. Suivez les instructions pour remplacer les accessoires. Les poignées doivent toujours être sèches, propres et exemptes d'huile ou de graisse.
22. **VÉRIFIEZ LES PIÈCES ENDOMMAGÉES.** Avant toute nouvelle utilisation de l'aspirateur, vérifiez soigneusement un carter de protection ou toute autre pièce endommagés pour déterminer qu'ils fonctionnent bien et remplissent leurs fonctions respectives. Vérifiez l'alignement des pièces mobiles, le blocage des pièces mobiles, les pièces cassées, l'installation et tout autre état susceptible d'affecter le fonctionnement. Un carter de protection ou toute autre pièce endommagés doivent être réparés ou remplacés correctement par un centre de service après-vente agréé sauf indication contraire de ce mode d'emploi. Confiez le remplacement des interrupteurs défectueux à un centre de service après-vente agréé. N'utilisez pas l'aspirateur s'il ne peut pas être mis sous et hors tension au moyen de l'interrupteur.

23. **PIÈCES DE RECHANGE.** En cas de réparation, utilisez uniquement des pièces de rechange identiques.
24. **RANGEEZ L'ASPIRATEUR APRÈS UTILISATION.** Lorsque vous n'utilisez pas l'aspirateur, rangez-le à l'intérieur.
25. Les filtres humides et la partie intérieure du récipient de liquide doivent être séchés avant rangement.
26. **Épargnez votre aspirateur.** Une manipulation brutale peut entraîner la rupture de l'aspirateur le plus robuste.
27. **Ne nettoyez pas l'extérieur ou l'intérieur avec du benzène, du diluant ou d'autres produits chimiques de nettoyage.** Vous risqueriez de le fissurer ou de le décolorer.
28. **N'utilisez pas l'aspirateur dans un endroit fermé où des vapeurs inflammables, explosives ou toxiques sont dégagées par de la peinture à base d'huile, du diluant pour peinture, de l'essence, certains produits antimites, etc., ou dans des endroits exposés à des poussières inflammables.**
29. **N laissez pas le cordon de l'aspirateur à même le sol après avoir terminé d'aspirer.** Il pourrait faire trébucher quelqu'un ou endommager l'aspirateur.
30. **N'utilisez pas cet outil ou tout autre sous l'emprise de drogues, de médicaments ou d'alcool.**
31. **Par mesure de sécurité, utilisez des lunettes à coques ou des lunettes de sécurité avec écrans latéraux.**
32. **Utilisez un masque anti-poussière dans des conditions de travail poussiéreuses.**
33. **Cette machine n'est pas destinée à être utilisée par des personnes (y compris les enfants) aux facultés physiques, sensorielles ou mentales diminuées ou sans expérience ni expertise.**
34. **Les jeunes enfants doivent être sous la surveillance d'un adulte afin de s'assurer qu'ils ne jouent pas avec l'aspirateur.**
35. **Ne manipulez jamais la fiche de cordon ou l'aspirateur avec les mains mouillées.**
36. **Redoublez de précaution lorsque vous nettoyez des escaliers.**
37. **N'utilisez pas l'aspirateur comme marchepied ou établi.** La machine pourrait tomber et provoquer des blessures corporelles.

Utilisation et entretien des outils fonctionnant sur batterie

1. **Rechargez la batterie uniquement avec le chargeur spécifié par le fabricant.** Un chargeur qui est adapté à un type spécifique de batterie peut présenter un risque d'incendie s'il est utilisé avec un autre type de batterie.
2. **Utilisez un outil électrique uniquement avec la batterie spécifiquement indiquée.** L'utilisation de toute autre batterie peut présenter un risque de blessure et d'incendie.
3. **Lorsque vous n'utilisez pas la batterie, tenez-la à l'écart des objets métalliques, comme des trombones, pièces de monnaie, clés, clous, vis ou autres petits objets métalliques, susceptibles de créer une connexion entre deux bornes.** Court-circuiter les bornes d'une batterie entre elles peut provoquer des brûlures ou un incendie.

4. **Dans des conditions d'utilisation inadéquate, il peut y avoir une fuite de l'électrolyte de la batterie.** Le cas échéant, évitez tout contact avec ce liquide. En cas de contact accidentel, rincez à l'eau. Si le liquide pénètre dans les yeux, consultez par ailleurs un médecin. Le liquide s'échappant de la batterie peut provoquer une irritation ou des brûlures.
5. **N'utilisez pas une batterie ou un outil s'ils sont endommagés ou modifiés.** Une batterie endommagée ou modifiée peut avoir un comportement imprévisible susceptible d'entraîner un incendie, une explosion ou des blessures.
6. **N'exposez pas la batterie ou l'outil au feu ou à une température excessive.** L'exposition au feu ou à une température supérieure à 130 °C peut provoquer une explosion.
7. **Respectez toutes les instructions de charge et ne chargez pas la batterie ou l'outil en dehors de la plage de température indiquée dans les instructions.** Une charge incorrecte ou à une température en dehors de la plage indiquée peut endommager la batterie et augmenter le risque d'incendie.

CONSERVEZ CES INSTRUCTIONS.

⚠ AVERTISSEMENT : NE vous laissez PAS tromper (au fil d'une utilisation répétée) par un sentiment d'aisance et de familiarité avec le produit, en négligeant le respect rigoureux des consignes de sécurité qui accompagnent le produit en question. La MAUVAISE UTILISATION de l'outil ou l'ignorance des consignes de sécurité indiquées dans ce mode d'emploi peut entraîner de graves blessures.

Consignes de sécurité importantes pour la batterie

1. **Avant d'utiliser la batterie, lisez toutes les instructions et précautions relatives (1) au chargeur de batterie, (2) à la batterie, et (3) au produit utilisant la batterie.**
 2. **Ne démontez pas la batterie.**
 3. **Cessez immédiatement l'utilisation si le temps de fonctionnement devient excessivement court.** Il y a un risque de surchauffe, de brûlures, voire d'explosion.
 4. **Si l'électrolyte pénètre dans vos yeux, rincez-les à l'eau claire et consultez immédiatement un médecin.** Il y a un risque de perte de la vue.
 5. **Ne court-circuitez pas la batterie :**
 - (1) **Ne touchez les bornes avec aucun matériau conducteur.**
 - (2) **Évitez de ranger la batterie dans un conteneur avec d'autres objets métalliques, par exemple des clous, des pièces de monnaie, etc.**
 - (3) **N'exposez pas la batterie à l'eau ou à la pluie.**
- Un court-circuit de la batterie peut provoquer une intensité de courant élevée, une surchauffe, parfois des brûlures et même une panne.**

6. Ne rangez pas l'outil et la batterie dans un endroit où la température risque d'atteindre ou de dépasser 50 °C.
7. Ne jetez pas la batterie au feu même si elle est sérieusement endommagée ou complètement épuisée. La batterie peut exploser au contact du feu.
8. Évitez de laisser tomber ou de cogner la batterie.
9. N'utilisez pas la batterie si elle est endommagée.
10. Les batteries au lithium-ion contenues sont soumises aux exigences de la législation sur les marchandises dangereuses.

Lors du transport commercial par des tierces parties ou des transitaires par exemple, des exigences spécifiques en matière d'étiquetage et d'emballage doivent être respectées.

Pour la préparation de l'article expédié, il est nécessaire de consulter un expert en matériau dangereux. Veuillez également respecter les réglementations nationales susceptibles d'être plus détaillées.

Recouvrez les contacts exposés avec du ruban adhésif ou du ruban de masquage et emballez la batterie de telle sorte qu'elle ne puisse pas bouger dans l'emballage.

11. Suivez les réglementations locales en matière de mise au rebut des batteries.
12. Utilisez les batteries uniquement avec les produits spécifiés par Makita. L'insertion de batteries dans des produits non conformes peut provoquer un incendie, une chaleur excessive, une explosion ou une fuite de l'électrolyte.

CONSERVEZ CES INSTRUCTIONS.

⚠ ATTENTION : N'utilisez que des batteries Makita d'origine. L'utilisation de batteries de marque autre que Makita ou de batteries modifiées peut provoquer l'explosion des batteries, ce qui présente un risque d'incendie, de dommages matériels et corporels. Cela annulera également la garantie Makita pour l'outil et le chargeur Makita.

Conseils pour assurer la durée de vie optimale de la batterie

1. Chargez la batterie avant qu'elle ne soit complètement déchargée. Arrêtez toujours l'outil et rechargez la batterie quand vous remarquez que la puissance de l'outil diminue.
2. Ne rechargez jamais une batterie complètement chargée. La surcharge réduit la durée de service de la batterie.
3. Chargez la batterie à une température ambiante comprise entre 10 °C et 40 °C. Avant de charger une batterie chaude, laissez-la refroidir.
4. Rechargez la batterie si elle est restée inutilisée pendant une période prolongée (plus de six mois).

DESCRIPTION DES PIÈCES

Modèle DVC150L

(Modèle avec filtre en tissu (pour les poussières sèches et humides))

► Fig.1: 1. Couvercle du réservoir 2. Flotteur 3. Chambre du flotteur 4. Filtre en tissu 5. Réservoir

Modèle DVC151L

(Modèle avec filtre à poudre (pour les poussières sèches))

► Fig.2: 1. Couvercle du réservoir 2. Filtre à poudre (HEPA) 3. Amortisseur 4. Préfiltre 5. Réservoir

DESCRIPTION DU FONCTIONNEMENT

Utilisation sur le courant secteur :

⚠ AVERTISSEMENT : Avant de brancher l'aspirateur, assurez-vous toujours que son interrupteur est en position d'arrêt. Il y a risque de démarrage intempestif et de blessure grave si l'on branche l'aspirateur alors que l'interrupteur est en position de marche.

Branchez la fiche dans une source d'alimentation.

► Fig.3: 1. Fiche (la forme et la longueur du cordon peuvent varier d'un pays à l'autre)

Le voyant d'alimentation secteur s'allume lorsque vous placez le bouton de veille sur le côté « I ».

► Fig.4: 1. Voyant d'alimentation secteur

NOTE : Même si vous utilisez le mode d'alimentation CC, l'aspirateur bascule automatiquement sur le mode d'alimentation secteur lorsque vous le branchez.

NOTE : Si l'aspirateur est débranché en cours de fonctionnement alors que la batterie est insérée, il entre en état de veille.

Utilisation sur batterie :

⚠ ATTENTION : Assurez-vous toujours que l'aspirateur est hors tension et débranché, et que sa batterie est retirée avant de l'ajuster ou de vérifier son fonctionnement.

Insertion ou retrait de la batterie

⚠ ATTENTION : Éteignez toujours l'outil avant de mettre en place ou de retirer la batterie.

⚠ ATTENTION : Tenez fermement l'aspirateur et la batterie lors de la mise en place ou du retrait de la batterie. Si vous ne tenez pas fermement l'aspirateur et la batterie, ils peuvent vous glisser des mains, et s'abîmer ou vous blesser.

⚠ ATTENTION : Veillez à ne pas vous pincer les doigts lors de l'ouverture ou de la fermeture du couvercle de batterie. Vous risqueriez autrement de vous blesser.

Pour mettre la batterie en place, libérez d'abord le verrou, puis ouvrez le couvercle de batterie. Ceci fait, insérez la batterie.

► **Fig.5:** 1. Verrou 2. Couvercle de batterie

Alignez la languette sur la batterie avec la rainure sur le compartiment et insérez-la. Insérez-la à fond jusqu'à ce qu'un léger déclic se fasse entendre. Verrouillez ensuite le couvercle de batterie.

► **Fig.6:** 1. Batterie

Pour retirer la batterie, faites-la glisser hors de l'outil tout en faisant glisser le bouton à l'avant de la batterie.

⚠ ATTENTION : Toujours installer la batterie à fond jusqu'à ce que l'indicateur rouge soit invisible. Sinon, elle pourrait tomber accidentellement de l'aspirateur, au risque de vous blesser ou de blesser quelqu'un se trouvant à proximité.

⚠ ATTENTION : N'insérez pas la batterie de force. Si elle ne glisse pas facilement, c'est que vous ne l'insérez pas correctement.

NOTE : L'aspirateur ne fonctionne pas avec une seule batterie.

NOTE : Retirez la fiche de l'aspirateur de la rallonge lorsque vous utilisez l'aspirateur avec les batteries.

Indication de la charge restante de la batterie

Uniquement pour les batteries avec voyant lumineux

► **Fig.7:** 1. Témoins 2. Bouton de vérification

Appuyez sur le bouton de vérification sur la batterie pour indiquer la charge restante de la batterie. Les témoins s'allument pendant quelques secondes.

Témoins			Charge restante
Allumé	Éteint	Clignotant	
■	□	◐	75 % à 100 %
■ ■ ■ ■	□	□	50 % à 75 %
■ ■	□ □	□ □	25 % à 50 %
■	□ □ □ □	□	0 % à 25 %
◐	□ □ □ □	□	Chargez la batterie.
■ ■	□ □	□ □	Anomalie possible de la batterie.
□ □	■ ■	□ □	

NOTE : Selon les conditions d'utilisation et la température ambiante, l'indication peut être légèrement différente de la capacité réelle.

Indication de la charge restante de la batterie

► **Fig.8:** 1. Témoin de la batterie 2. Bouton de vérification

► **Fig.9**

Appuyez sur le bouton de vérification pour indiquer la charge restante de la batterie. Les témoins de batterie correspondent à chaque batterie.

Statut du témoin de la batterie			Charge restante de la batterie
Allumé	Éteint	Clignotant	
■	□	◐	50 % à 100 %
■ ■ ■ ■	□	□	20 % à 50 %
■ ■	□ □	□ □	0 % à 20 %
■	□ □ □ □	□	Chargez la batterie

Système de protection de l'outil/la batterie

L'outil est équipé d'un système de protection de l'outil/la batterie. Ce système coupe automatiquement l'alimentation vers le moteur pour prolonger la durée de vie de l'outil et de la batterie. Si l'outil ou la batterie se trouve dans l'une des situations suivantes, l'outil cessera automatiquement de fonctionner.

Protection contre la surcharge

Lorsque l'outil est utilisé d'une manière provoquant un appel de courant anormalement élevé, l'outil s'arrête automatiquement sans indication. Dans ce cas, éteignez l'outil et arrêtez la tâche ayant provoqué la surcharge de l'outil. Puis rallumez l'outil pour reprendre la tâche.

Protection contre la surchauffe

Allumé	Clignotant
■	◐

En cas de surchauffe de l'outil, celui-ci s'arrête automatiquement et le témoin de la batterie clignote pendant 60 secondes environ. Dans ce cas, laissez l'outil refroidir avant de rallumer l'outil.

Protection contre la décharge totale de la batterie

Lorsque la charge restante de la batterie devient très faible, l'outil s'arrête automatiquement. Si le produit ne fonctionne pas même en actionnant les boutons, retirez les batteries de l'outil et chargez-les.



Fonctionnement de la gâchette

- **Fig.10:** 1. Bouton de veille 2. Bouton d'alimentation 3. Bouton de réglage de la puissance d'aspiration

Pour mettre en marche l'aspirateur :

1. Placez le bouton de veille sur la position « I ». L'aspirateur se met à l'état de veille.
2. Appuyez sur le bouton d'alimentation. Pour que l'aspirateur entre en mode de veille, appuyez à nouveau sur le bouton d'alimentation. Pour éteindre l'aspirateur, placez le bouton de veille sur la position « O ».

La puissance d'aspiration peut être réglée en fonction de vos besoins.

La puissance d'aspiration peut être augmentée en tournant le bouton de réglage de la puissance d'aspiration du symbole  au symbole .

REMARQUE : Placez toujours le bouton de veille sur la position « O » si vous prévoyez de ne pas utiliser l'aspirateur pendant une période prolongée. L'aspirateur consomme de l'énergie à l'état de veille.

Arrêt automatique de l'aspiration pendant l'aspiration humide

Uniquement pour le modèle avec filtre en tissu

⚠ AVERTISSEMENT : N'utilisez pas l'aspirateur pendant une période prolongée si le flotteur fonctionne. Si vous utilisez l'aspirateur avec son flotteur fonctionnant pendant une période prolongée, une surchauffe peut se produire et déformer l'aspirateur.

⚠ AVERTISSEMENT : Ne ramassez pas la mousse ou les liquides savonneux. Si vous ramassez de la mousse ou des liquides savonneux, la mousse peut s'échapper de la sortie d'air avant que le flotteur fonctionne. Si vous continuez à utiliser l'aspirateur dans cette condition, vous pourriez vous électrocuter ou l'aspirateur pourrait être cassé.

L'arrêt automatique de l'aspiration fonctionne uniquement lorsque vous utilisez le flotteur et la chambre du flotteur. L'aspirateur est pourvu d'un système de flotteur qui empêche l'immersion de l'eau dans le moteur lors du ramassage d'une plus grande quantité d'eau. Lorsque le réservoir est plein et que l'aspirateur ne ramasse plus d'eau, mettez-le hors tension et videz le réservoir.

Blocage ou déblocage de la roulette

- **Fig.11:** 1. Roulette 2. Frein de blocage 3. Position LIBRE 4. Position BLOQUÉE

Bloquer la roulette s'avère pratique pour ranger l'aspirateur, interrompre la tâche en cours et immobiliser l'aspirateur.

Pour utiliser le frein, bougez-le avec la main. Pour bloquer la roulette avec le frein, abaissez le frein de blocage et la roulette ne pourra plus tourner. Pour libérer la roulette de la position bloquée, soulevez le frein de blocage.

NOTE : Lorsque vous déplacez l'aspirateur, assurez-vous que la roulette est déblocquée. Si vous déplacez l'aspirateur avec la roulette en position bloquée, vous risquez d'endommager la roulette.

Poignée de transport

Transportez l'aspirateur en le tenant par la poignée située sur la tête. La poignée est rétractable sur la tête lorsqu'elle n'est pas utilisée.

- **Fig.12**

ASSEMBLAGE

⚠ ATTENTION : Assurez-vous toujours que l'aspirateur est hors tension et débranché, et que sa batterie est retirée avant d'effectuer toute tâche dessus.

⚠ ATTENTION : Portez toujours un masque anti-poussière pendant l'assemblage ou l'entretien.

Mise en place du filtre à poudre (HEPA) et du préfiltre (pour les poussières sèches)

Accessoire en option pour le modèle avec filtre en tissu

⚠ ATTENTION : Ne ramassez jamais d'eau, d'autres liquides ou de poussières humides lorsque vous utilisez le filtre à poudre. Le filtre à poudre pourrait autrement se rompre.

Utilisation du filtre à poudre :

1. Retirez la chambre du flotteur et le flotteur en déposant les boulons.
► **Fig.13:** 1. Flotteur 2. Chambre du flotteur
2. Placez le préfiltre dans le réservoir en alignant les repères d'emplacement de montage.
3. Montez l'amortisseur sur le filtre à poudre, puis placez-les dans le préfiltre en alignant les repères d'emplacement de montage.
4. Enfin, montez le couvercle du réservoir et verrouillez-le.
► **Fig.14:** 1. Couvercle du réservoir 2. Filtre à poudre (HEPA) 3. Amortisseur 4. Préfiltre 5. Réservoir 6. Repère d'emplacement de montage

REMARQUE : Avant d'utiliser le filtre à poudre, assurez-vous que le préfiltre et l'amortisseur sont toujours utilisés ensemble. Il est interdit d'installer uniquement le filtre à poudre.

Mise en place du filtre à eau

Accessoire en option pour le modèle avec filtre en tissu

⚠ ATTENTION : Ne ramassez jamais d'eau ou de poussières humides sans le flotteur et le filtre en tissu ou le filtre à eau.

⚠ ATTENTION : Avant de ramasser des poussières humides, assurez-vous que la chambre du flotteur et le flotteur sont bien installés sur l'aspirateur.

⚠ ATTENTION : Lorsque vous installez le filtre à eau sur le réservoir, placez-le bien contre l'ouverture du réservoir de sorte que le crochet du filtre à eau s'enclenche fermement dans l'ouverture du réservoir et qu'il n'y ait pas d'espace entre le filtre à eau et le réservoir.

Pour ramasser uniquement l'eau ou les poussières humides, mieux vaut utiliser le filtre à eau que le filtre en tissu.

Lors de l'installation du filtre à eau, alignez son repère d'emplacement de montage sur le repère sur le réservoir.

► **Fig.15:** 1. Filtre à eau 2. Réservoir 3. Repère d'emplacement de montage

NOTE : Il est recommandé d'utiliser le filtre à eau lorsque vous devez ramasser de manière répétée une grande quantité d'eau. Autrement, la capacité d'aspiration risque d'être réduite avec le filtre en tissu.

Installation du sac papier

Accessoire en option

⚠ AVERTISSEMENT : Lorsque vous utilisez le sac papier, utilisez également le filtre en tissu ou le préfiltre préinstallé sur l'aspirateur. Si vous n'utilisez pas également le filtre en tissu/préfiltre, un dégagement de chaleur et un bruit anormaux peuvent se produire et provoquer un incendie.

⚠ ATTENTION : (Pour le modèle avec filtre en tissu)

- Ne ramassez jamais d'eau, d'autres liquides ou des poussières humides lorsque vous utilisez le sac papier. En ramassant ces matières, vous risqueriez de rompre le sac papier.
- Avant d'utiliser le sac papier, assurez-vous que le filtre à poudre (accessoire en option), l'amortisseur (accessoire en option) et le préfiltre sont toujours utilisés ensemble.

⚠ ATTENTION : (Pour le modèle avec filtre à poudre)

- Avant d'utiliser le sac papier, assurez-vous que le filtre à poudre, l'amortisseur et le préfiltre sont toujours utilisés ensemble.

1. Retirez le support en caoutchouc.

► **Fig.16:** 1. Support en caoutchouc

2. Dépliez le sac papier.

3. Alignez l'ouverture du sac papier sur l'ouverture d'aspiration de la poussière de l'aspirateur.

4. Insérez la partie en carton du sac papier sur le support de sorte qu'il soit placé à l'extrémité au-delà de la partie saillante à crans.

► **Fig.17:** 1. Sac papier 2. Support

Installation du sac en polyéthylène

L'aspirateur peut également être utilisé sans le sac en polyéthylène. Toutefois, grâce au sac en polyéthylène, il est plus facile et moins salissant de vider le réservoir.

Déployez le sac en polyéthylène dans le réservoir. Insérez-le entre la plaque du support et le réservoir, et tirez-le vers l'entrée du tuyau.

► **Fig.18:** 1. Plaque du support 2. Sac en polyéthylène

Déployez le sac autour du haut du réservoir de sorte que le bord du filtre en tissu/préfiltre puisse attraper et maintenir solidement le sac.

► **Fig.19:** 1. Filtre en tissu/préfiltre

NOTE : Un sac en polyéthylène en vente sur le marché peut être utilisé. Son épaisseur doit être d'au moins 0,04 mm.

NOTE : Étant donné qu'un excès de poussière déchirera facilement le sac, ne ramassez pas la poussière à plus de la moitié de la capacité du sac.

Comment vider le sac en polyéthylène

⚠ AVERTISSEMENT : Assurez-vous toujours que l'aspirateur est hors tension et débranché, et que la batterie est retirée avant de vider le sac en polyéthylène. Vous pourriez autrement vous électrocuter et gravement vous blesser.

⚠ ATTENTION : N'exercez pas une force importante sur la chambre du flotteur et le réservoir. Vous pourriez déformer et endommager les pièces.

⚠ ATTENTION : Videz le réservoir au moins une fois par jour (toutefois cela dépend du volume de poussière ramassée dans le réservoir). Sinon, la puissance d'aspiration diminuera et le moteur risque de casser.

⚠ ATTENTION : Ne tenez pas le crochet lorsque vous videz le réservoir. Le crochet risque de se rompre si vous le tenez.

Décrochez et soulevez le couvercle du réservoir.

Secouez la poussière du filtre en tissu/préfiltre, puis retirez le sac en polyéthylène du réservoir.

► **Fig.20**

NOTE : Sortez avec précaution le sac en polyéthylène du réservoir en évitant de le coincer ou déchirer dans la partie saillante à l'intérieur du réservoir lorsque vous le videz.

NOTE : Videz le sac en polyéthylène avant qu'il ne soit plein. Trop de poussière dans le réservoir peut déchirer le sac en polyéthylène.

Installation de la boîte à outils

1. Libérez le verrou du couvercle de batterie et ouvrez le couvercle.

2. Placez les glissières sur la boîte à outils le long des rainures sur le compartiment.

3. Refermez le couvercle de batterie et verrouillez-le.
► **Fig.21**

La boîte à outils s'avère pratique pour transporter les batteries, rallonges, tubes ou manchons.

► **Fig.22**

Branchement du tuyau

REMARQUE : Ne pliez jamais de force le tuyau, ni ne le piétinez. Ne déplacez jamais l'aspirateur par le tuyau. Si vous forcez sur le tuyau, le piétinez ou tirez dessus, vous risquez de le rompre ou de le déformer.

REMARQUE : Lorsque vous ramassez des déchets de grande taille comme des débris de rabot, des poussières de béton ou autres déchets similaires de grande taille, utilisez un tuyau ayant un diamètre interne de 38 mm (accessoire en option). Si vous utilisez le tuyau ayant un diamètre interne de 28 mm (accessoire en option), vous risqueriez de boucher et endommager le tuyau.

Inseriez le tuyau sur l'orifice de montage du réservoir et tournez-le dans le sens des aiguilles d'une montre jusqu'à ce qu'il se verrouille en place.

► Fig.23

ENTRETIEN

ATTENTION : Assurez-vous toujours que l'aspirateur est hors tension et débranché, et que la batterie est retirée avant d'y effectuer tout travail d'inspection ou d'entretien.

REMARQUE : N'utilisez jamais d'essence, benzine, diluant, alcool ou autre produit similaire. Cela risquerait de provoquer la décoloration, la déformation ou la fissuration de l'outil.

Pour assurer la SÉCURITÉ et la FIABILITÉ du produit, toute réparation, tout travail d'entretien ou de réglage doivent être effectués par un centre d'entretien Makita agréé, avec des pièces de rechange Makita.

Rangement du cordon d'alimentation

Vous pouvez enrouler le cordon d'alimentation autour de la boîte à outils.

► Fig.24

Rangement des accessoires

Les tubes peuvent être placés dans le porte-tube lorsque vous n'utilisez pas l'aspirateur pendant un court instant.

► Fig.25

► Fig.26

Le tuyau peut être enroulé autour de l'outil en connectant chaque extrémité.

► Fig.27

Nettoyage du filtre en tissu

Uniquement pour le modèle avec filtre en tissu

Un filtre en tissu bouché est à l'origine d'une médiocre performance d'aspiration.

Nettoyez de temps à autre le filtre en tissu.

Pour retirer les poussières ou particules collant au filtre en tissu, secouez le bas du cadre rapidement à plusieurs reprises.

► Fig.28: 1. Filtre en tissu

Nettoyage du filtre à poudre (HEPA) et du préfiltre

Uniquement pour le modèle avec filtre à poudre

Un filtre à poudre, un préfiltre et un amortisseur bouchés sont à l'origine d'une médiocre performance d'aspiration. Nettoyez de temps à autre les filtres et les amortisseurs.

Pour retirer les poussières ou particules collant aux filtres, secouez le bas du cadre rapidement à plusieurs reprises.

► Fig.29

Lavez à l'occasion le filtre à poudre dans l'eau, rincez-le et séchez-le bien à l'ombre avant de le réutiliser. Ne lavez jamais les filtres dans un lave-linge.

NOTE : Ne frottez pas ni ne grattez le filtre à poudre, le préfiltre ou l'amortisseur avec des objets durs comme une brosse ou une spatule.

NOTE : Les filtres s'usent avec le temps. Il est recommandé d'avoir des filtres de rechange.

ACCESSOIRES EN OPTION

ATTENTION : Ces accessoires ou pièces complémentaires sont recommandés pour l'utilisation avec l'outil Makita spécifié dans ce mode d'emploi. L'utilisation de tout autre accessoire ou pièce complémentaire peut comporter un risque de blessure. N'utilisez les accessoires ou pièces complémentaires qu'aux fins auxquelles ils ont été conçus.

Pour obtenir plus de détails sur ces accessoires, contactez votre centre d'entretien local Makita.

- Tuyau
- Manchon avant (22, 24, 38)
- Tuyau droit
- Suceur plat
- Brosse ronde
- Filtre à poudre, HEPA (pour les poussières sèches)
- Amortisseur
- Préfiltre
- Ensemble du suceur
- Tube cintré
- Sac en polyéthylène
- Sac papier
- Ensemble du support
- Filtre à eau (option pour le modèle avec filtre en tissu)
- Batterie et chargeur Makita d'origine

NOTE : Il se peut que certains éléments de la liste soient compris dans l'emballage de l'outil en tant qu'accessoires standard. Ils peuvent varier d'un pays à l'autre.

WARNUNG

Diese Maschine sollte nicht von Personen (einschließlich Kindern) mit reduzierten körperlichen, sensorischen oder geistigen Fähigkeiten oder mangelnder Erfahrung und Kenntnis benutzt werden.

Kinder sollten beaufsichtigt werden, um sicherzugehen, dass sie nicht mit dem Gerät spielen.

TECHNISCHE DATEN

Modell:		DVC150L	DVC151L
Standard-Filtertyp		Tuchfilter (für Trocken- und Nassstaub)	Pulverfilter (für Trockenstaub)
Volumenstrom (Luft)	Gleichstrombetrieb (mit BL1850B, ø38 mm x 2,5-m-Schlauch)	2,1 m ³ /min	
	Netzstrombetrieb (mit ø38 mm x 2,5-m-Schlauch)	3,6 m ³ /min	
Unterdruck	Gleichstrombetrieb (mit BL1850B, ø38 mm x 2,5-m-Schlauch)	9,0 kPa	
	Netzstrombetrieb (mit ø38 mm x 2,5-m-Schlauch)	24,0 kPa	
Rückgewinnbare Kapazität	Staub	15 L	
	Wasser	12 L	-
Abmessungen (L x B x H)		366 mm x 334 mm x 421 mm	
Nennspannung		36 V Gleichstrom	
Nettogewicht		8,9 - 9,6 kg	9,6 - 10,3 kg
Sicherheitsklasse		□/II	

- Wir behalten uns vor, Änderungen der technischen Daten im Zuge der Entwicklung und des technischen Fortschritts ohne vorherige Ankündigung vorzunehmen.
- Die technischen Daten und der Akku können von Land zu Land unterschiedlich sein.
- Das Gewicht schließt keine Zubehörteile, aber Akkus ein. Das niedrigste und höchste Kombinationsgewicht des Gerätes und der Akkus sind in der Tabelle angegeben.
- Für Nassstaub sind der Schwimmer und der Wasserfilter oder der Tuchfilter erforderlich.

Zutreffende Akkus und Ladegeräte

Akku	BL1815N / BL1820 / BL1820B / BL1830 / BL1830B / BL1840 / BL1840B / BL1850 / BL1850B / BL1860B
Ladegerät	DC18RC / DC18RD / DC18RE / DC18SD / DC18SE / DC18SF

- Einige der oben aufgelisteten Akkus und Ladegeräte sind je nach Ihrem Wohngebiet eventuell nicht erhältlich.

⚠️ WARNUNG: Verwenden Sie nur die oben aufgeführten Akkus und Ladegeräte. Bei Verwendung irgendwelcher anderer Akkus und Ladegeräte besteht Verletzungs- und/oder Brandgefahr.

Symbole

Nachfolgend werden die für das Gerät verwendeten Symbole beschrieben. Machen Sie sich vor der Benutzung mit ihrer Bedeutung vertraut.



Betriebsanleitung lesen.



Besondere Umsicht und Aufmerksamkeit erforderlich.



Warnung! Der Staubsauger kann gefährlichen Staub enthalten.



Stellen Sie sich niemals auf den Staubsauger.



Staubklasse L (leicht). Die Staubsauger sind in der Lage, Staub der Staubklasse L aufzusaugen. Befolgen Sie die Vorschriften Ihres Landes in Bezug auf Stäube sowie Sicherheit und Gesundheitsschutz am Arbeitsplatz.



DOPPELTE ISOLIERUNG



Nur für EG-Länder
Entsorgen Sie Elektrogeräte oder Akkus nicht zusammen mit dem Hausmüll! Unter Einhaltung der Europäischen Richtlinie über Elektro- und Elektronik-Altgeräte, Batterien, Akkus sowie verbrauchte Batterien und Akkus und ihre Umsetzung gemäß den Landesgesetzen müssen Elektrogeräte und Batterien bzw. Akkus, die das Ende ihrer Lebensdauer erreicht haben, getrennt gesammelt und einer umweltgerechten Recycling-Einrichtung zugeführt werden.

Vorgesehene Verwendung

Das Werkzeug eignet sich für kommerziellen Einsatz z. B. in Hotels, Schulen, Krankenhäusern, Fabriken, Läden, Büros und Mietunternehmen.

DVC150L

Das Werkzeug ist für das Absaugen von Nass- und Trockenstaub vorgesehen.

DVC151L

Das Werkzeug ist nur für das Absaugen von Trockenstaub vorgesehen.

Stromversorgung

Das Werkzeug sollte nur an eine Stromquelle angeschlossen werden, deren Spannung mit der Angabe auf dem Typenschild übereinstimmt, und kann nur mit Einphasen-Wechselstrom betrieben werden. Diese sind doppelt schutzisoliert und können daher auch an Steckdosen ohne Erdleiter verwendet werden.

Geräusch

Typischer A-bewerteter Geräuschpegel ermittelt gemäß EN60335-2-69:

Modell DVC150L

Schalldruckpegel (L_{pA}): 75 dB (A)
Messunsicherheit (K): 2,5 dB (A)

Modell DVC151L

Schalldruckpegel (L_{pA}): 75 dB (A)
Messunsicherheit (K): 2,5 dB (A)

Der Geräuschpegel kann während des Betriebs 80 dB (A) überschreiten.

HINWEIS: Der (Die) angegebene(n) Schallemissionswert(e) wurde(n) im Einklang mit der Standardprüfmethode gemessen und kann (können) für den Vergleich zwischen Werkzeugen herangezogen werden.

HINWEIS: Der (Die) angegebene(n) Schallemissionswert(e) kann (können) auch für eine Vorbewertung des Gefährdungsgrads verwendet werden.

⚠️ WARNUNG: Einen Gehörschutz tragen.

⚠️ WARNUNG: Die Schallemission während der tatsächlichen Benutzung des Elektrowerkzeugs kann je nach der Benutzungsweise des Werkzeugs, und speziell je nach der Art des bearbeiteten Werkstücks, von dem (den) angegebenen Wert(en) abweichen.

⚠️ WARNUNG: Identifizieren Sie Sicherheitsmaßnahmen zum Schutz des Benutzers anhand einer Schätzung des Gefährdungsgrads unter den tatsächlichen Benutzungsbedingungen (unter Berücksichtigung aller Phasen des Arbeitszyklus, wie z. B. Ausschalt- und Leerlaufzeiten des Werkzeugs zusätzlich zur Betriebszeit).

Schwingungen

Schwingungsgesamtwert (Drei-Achsen-Vektorsumme) ermittelt gemäß EN60335-2-69:
Schwingungsemission ($a_{h,M}$): 2,5 m/s² oder weniger
Messunsicherheit (K): 1,5 m/s²

HINWEIS: Der (Die) angegebene(n) Vibrationsgesamtwert(e) wurde(n) im Einklang mit der Standardprüfmethode gemessen und kann (können) für den Vergleich zwischen Werkzeugen herangezogen werden.

HINWEIS: Der (Die) angegebene(n) Vibrationsgesamtwert(e) kann (können) auch für eine Vorbewertung des Gefährdungsgrads verwendet werden.

⚠️ WARNUNG: Die Vibrationsemission während der tatsächlichen Benutzung des Elektrowerkzeugs kann je nach der Benutzungsweise des Werkzeugs, und speziell je nach der Art des bearbeiteten Werkstücks, von dem (den) angegebenen Emissionswert(en) abweichen.

⚠️ WARNUNG: Identifizieren Sie Sicherheitsmaßnahmen zum Schutz des Benutzers anhand einer Schätzung des Gefährdungsgrads unter den tatsächlichen Benutzungsbedingungen (unter Berücksichtigung aller Phasen des Arbeitszyklus, wie z. B. Ausschalt- und Leerlaufzeiten des Werkzeugs zusätzlich zur Betriebszeit).

EG-Konformitätserklärung

Nur für europäische Länder

Die EG-Konformitätserklärung ist als Anhang A in dieser Bedienungsanleitung enthalten.

SICHERHEITSWARNUNGEN

Sicherheitswarnungen für Akku- und Netzsauger

⚠️ WARNUNG: WICHTIG! Alle Sicherheitswarnungen und Anweisungen **VOR GEBRAUCH AUFMERKSAM LESEN**. Eine Missachtung der Warnungen und Anweisungen kann zu einem elektrischen Schlag, Brand und/oder schweren Verletzungen führen.

1. Stellen Sie vor dem Gebrauch sicher, dass dieses Saugergerät nur von Personen benutzt wird, die im Gebrauch dieses Saugergerätes hinreichend unterrichtet worden sind.
2. Falls Schaum/Flüssigkeit herauskommt, schalten Sie das Gerät sofort aus.
3. Reinigen Sie die Wasserstand-Begrenzungsvorrichtung regelmäßig, und untersuchen Sie sie auf Anzeichen von Beschädigung.
4. Benutzen Sie das Saugergerät nicht ohne den Filter. Ersetzen Sie einen beschädigten Filter unverzüglich.
5. **VERWENDUNG DES VERLÄNGERUNGSKABELS.** Wenn Sie wegen großer Entfernung zu Ihrer Stromquelle ein Verlängerungskabel benutzen müssen, versuchen Sie, ein Kabel zu verwenden, das ausreichend dick, aber nicht zu lang ist, weil anderenfalls die Leistung des Saugergerätes beeinträchtigt wird. Verwenden Sie für Anwendungen im Freien ein für Freiluftbenutzung geeignetes Verlängerungskabel.
6. **SPANNUNGSWARNUNG:** Bevor Sie das Saugergerät an eine Stromquelle (Buchse, Steckdose usw.) anschließen, sollten Sie sich vergewissern, dass die Versorgungsspannung mit der auf dem Typenschild des Saugergerätes angegebenen übereinstimmt. Eine Stromquelle, deren Spannung höher als die für das Saugergerät angegebene ist, kann zu **SCHWERER VERLETZUNG** des Bedieners sowie zu Beschädigung des Saugergerätes führen. Im Zweifelsfall **DAS SAUGGERÄT NICHT ANSCHLIESSEN**. Die Verwendung einer Stromquelle, deren Spannung niedriger als die Angabe auf dem Typenschild ist, ist für den Motor schädlich.
7. **UNBEABSICHTIGTES EINSCHALTEN VERMEIDEN.** Vergewissern Sie sich beim Anschließen, dass der Schalter ausgeschaltet ist.
8. Versuchen Sie nicht, brennbare Materialien, Feuerwerk, brennende Zigaretten, heiße Asche, heiße Metallspäne, scharfe Gegenstände, wie etwa Rasierklingen, Nadeln, Glasscherben oder dergleichen aufzusaugen.
9. **BENUTZEN SIE DAS SAUGGERÄT NIEMALS IN DER NÄHE VON BENZIN, GAS, LACK, KLEBSTOFFEN ODER ANDEREN HOCH EXPLOSIVEN SUBSTANZEN.** Der Schalter erzeugt Funken beim Ein- und Ausschalten. Ebenso der Motorkollektor während des Betriebs. Es kann zu einer gefährlichen Explosion kommen.
10. Saugen Sie niemals giftige, krebserregende, brennbare oder andere Gefahrstoffe wie Asbest, Arsen, Barium, Beryllium, Blei, Pestizide oder sonstige gesundheitsgefährdende Materialien auf.
11. Benutzen Sie das Saugergerät niemals im Freien bei Regen.
12. Benutzen Sie das Saugergerät nicht in der Nähe von Wärmequellen (Öfen usw.).
13. **SCHUTZ VOR ELEKTRISCHEN SCHLÄGEN.** Verhindern Sie Körperkontakt mit geerdeten Oberflächen. Zum Beispiel: Rohre, Radiatoren, Herde, Kühlschranksgehäuse.
14. Blockieren Sie die Lüftöffnungen nicht. Diese Öffnungen gestatten eine Kühlung des Motors. Blockierung ist sorgfältig zu vermeiden, weil sonst der Motor wegen mangelnder Belüftung überhitzt.
15. Achten Sie stets auf sicheren Stand und gute Balance.
16. **KABEL NICHT MISSBRAUCHEN.** Tragen Sie das Saugergerät niemals am Netzkabel, und reißen Sie niemals daran, um es von der Steckdose zu trennen. Halten Sie das Kabel von Hitze, Öl und scharfen Kanten fern. Überprüfen Sie die Saugerärtekabel regelmäßig, und lassen Sie sie bei Beschädigung von einer autorisierten Kundendienststelle reparieren. Überprüfen Sie Verlängerungskabel regelmäßig, und tauschen Sie sie bei Beschädigung aus.
17. Vermeiden Sie Knicken, Ziehen oder Zertreten des Schlauchs.
18. Stellen Sie das Saugergerät sofort ab, wenn Sie während des Betriebs eine Leistungsver schlechterung oder etwas Ungewöhnliches bemerken.
19. **SAUGGERÄT ABTRENNEN.** Bei Nichtgebrauch, vor der Wartung und beim Wechseln von Zubehör.
20. Reinigen und warten Sie das Saugergerät sofort nach jedem Gebrauch, um es in tadellosem Betriebszustand zu halten.
21. **SAUGGERÄT SORGFÄLTIG WARTEN.** Halten Sie das Saugergerät für bessere und sicherere Leistung sauber. Befolgen Sie die Anweisungen zum Auswechseln von Zubehör. Halten Sie die Handgriffe trocken, sauber und frei von Öl und Fett.

22. **GERÄT AUF BESCHÄDIGTE TEILE ÜBERPRÜFEN.** Bevor Sie das Saugergerät weiter benutzen, sollten Sie beschädigte Schutzvorrichtungen und Teile sorgfältig auf ihre Betriebsfähigkeit und Funktionstüchtigkeit hin überprüfen. Überprüfen Sie das Gerät auf Ausrichtung und Klemmen beweglicher Teile, Beschädigung von Teilen, Befestigungszustand und sonstige Mängel von Teilen, die seinen Betrieb beeinträchtigen können. Beschädigte Schutzvorrichtungen oder Teile sollten von einem autorisierten Service-Center ordnungsgemäß repariert oder ausgewechselt werden, wenn nicht anders in dieser Bedienungsanleitung angegeben. Lassen Sie defekte Schalter von einem autorisierten Service-Center auswechseln. Benutzen Sie das Saugergerät nicht, wenn es sich nicht mit dem Schalter ein- und ausschalten lässt.
 23. **ERSATZTEILE.** Verwenden Sie bei der Wartung nur identische Ersatzteile.
 24. **UNBENUTZTES SAUGGERÄT LAGERN.** Bei Nichtgebrauch sollte das Saugergerät in einem Innenraum gelagert werden.
 25. Nassfilter und das Innere des Flüssigkeitsbehälters müssen vor der Lagerung getrocknet werden.
 26. Behandeln Sie Ihr Saugergerät mit Sorgfalt. Grobe Behandlung kann eine Beschädigung des Saugergerätes verursachen, selbst wenn es noch so robust gebaut ist.
 27. Versuchen Sie nicht, die Außen- oder Innenseite mit Waschbenzin, Verdünnern oder Reinigungskemikalien zu reinigen. Dadurch können Risse und Verfärbung verursacht werden.
 28. Benutzen Sie das Saugergerät nicht in einem geschlossenen Raum, wo brennbare, explosive oder giftige Dämpfe von Lack auf Ölbasis, Lackverdünner, Benzin, bestimmten Mottenschutzmitteln usw. abgegeben werden, oder in Bereichen, wo brennbarer Staub vorhanden ist.
 29. Lassen Sie das Saugerärtekabel nach Abschluss einer Reinigungsarbeit nicht auf dem Boden liegen. Es kann zu einer Stolpergefahr werden oder Beschädigung des Saugergerätes verursachen.
 30. Betreiben Sie weder dieses noch andere Werkzeuge unter dem Einfluss von Medikamenten oder Alkohol.
 31. Als Grundregel der Sicherheit sollten Sie stets eine Schutzbrille oder eine Sicherheitsbrille mit Seitenschützern verwenden.
 32. Verwenden Sie eine Staubmaske bei staubigen Arbeitsbedingungen.
 33. Diese Maschine sollte nicht von Personen (einschließlich Kindern) mit reduzierten körperlichen, sensorischen oder geistigen Fähigkeiten oder mangelnder Erfahrung und Kenntnis benutzt werden.
 34. Kleine Kinder sollten beaufsichtigt werden, um sicherzugehen, dass sie nicht mit dem Saugergerät spielen.
 35. Fassen Sie Kabelstecker oder Saugergerät niemals mit nassen Händen an.
 36. Lassen Sie bei der Reinigung auf Treppen äußerste Vorsicht walten.
 37. Benutzen Sie das Saugergerät nicht als Hocker oder Werkbank. Anderenfalls kann die Maschine herunterfallen und Personenschäden verursachen.
- Gebrauch und Pflege von Akkuwerkzeugen**
1. **Laden Sie den Akku nur mit dem vom Hersteller vorgeschriebenen Ladegerät.** Ein Ladegerät, das für einen Akkutyp geeignet ist, kann bei Verwendung mit einem anderen Akku eine Brandgefahr darstellen.
 2. **Benutzen Sie Elektrowerkzeuge nur mit den ausdrücklich vorgeschriebenen Akkus.** Bei Verwendung irgendwelcher anderer Akkus besteht Verletzungs- und Brandgefahr.
 3. **Bewahren Sie den Akku bei Nichtgebrauch nicht zusammen mit Metallgegenständen, wie Büroklammern, Münzen, Schlüsseln, Nägeln, Schrauben, und anderen kleinen Metallteilen auf, welche die Kontakte kurzschließen können.** Kurzschließen der Akkukontakte kann Verbrennungen oder einen Brand verursachen.
 4. **Bei Missbrauch kann Flüssigkeit aus dem Akku austreten. Vermeiden Sie Kontakt mit dieser Flüssigkeit. Falls Sie versehentlich mit der Flüssigkeit in Berührung kommen, spülen Sie die betroffenen Stellen mit Wasser ab. Falls die Flüssigkeit in die Augen gelangt, suchen Sie zusätzlich ärztliche Hilfe auf.** Die vom Akku austretende Flüssigkeit kann Hautreizungen oder Verätzungen verursachen.
 5. **Verwenden Sie keinen Akku und auch kein Werkzeug, der (das) beschädigt oder modifiziert ist.** Beschädigte oder modifizierte Akkus können unvorhersehbares Verhalten zeigen, das zu einem Brand, einer Explosion oder Verletzungsgefahr führen kann.
 6. **Setzen Sie einen Akku oder ein Werkzeug nicht Feuer oder übermäßigen Temperaturen aus.** Bei Einwirkung von Feuer oder Temperaturen über 130 °C kann es zu einer Explosion kommen.
 7. **Befolgen Sie alle Ladeanweisungen, und laden Sie den Akku bzw. das Werkzeug nicht außerhalb des in den Anweisungen angegebenen Temperaturbereichs.** Wird der Ladevorgang unsachgemäß oder bei Temperaturen außerhalb des angegebenen Bereichs durchgeführt, kann es zu einer Beschädigung des Akkus und erhöhter Brandgefahr kommen.

DIESE ANWEISUNGEN AUFBEWAHREN.

⚠️ WARNUNG: Lassen Sie sich NICHT durch Bequemlichkeit oder Vertrautheit mit dem Produkt (durch wiederholten Gebrauch erworben) von der strikten Einhaltung der Sicherheitsregeln für das vorliegende Produkt abhalten. MISSBRAUCH oder Missachtung der Sicherheitsvorschriften in dieser Anleitung können schwere Verletzungen verursachen.

Wichtige Sicherheitsanweisungen für Akku

1. Lesen Sie vor der Benutzung des Akkus alle Anweisungen und Warnhinweise, die an (1) Ladegerät, (2) Akku und (3) Akkuwerkzeug angebracht sind.
2. Unterlassen Sie ein Zerlegen des Akkus.
3. Falls die Betriebszeit beträchtlich kürzer geworden ist, stellen Sie den Betrieb sofort ein. Anderenfalls besteht die Gefahr von Überhitzung, möglichen Verbrennungen und sogar einer Explosion.
4. Falls Elektrolyt in Ihre Augen gelangt, waschen Sie sie mit sauberem Wasser aus, und begeben Sie sich unverzüglich in ärztliche Behandlung. Anderenfalls können Sie Ihre Sehkraft verlieren.
5. Der Akku darf nicht kurzgeschlossen werden:
 - (1) Die Kontakte dürfen nicht mit leitfähigem Material berührt werden.
 - (2) Lagern Sie den Akku nicht in einem Behälter zusammen mit anderen Metallgegenständen, wie z. B. Nägel, Münzen usw.
 - (3) Setzen Sie den Akku weder Wasser noch Regen aus.

Ein Kurzschluss des Akkus verursacht starken Stromfluss, der Überhitzung, mögliche Verbrennungen und einen Defekt zur Folge haben kann.

6. Lagern Sie das Werkzeug und den Akku nicht an Orten, an denen die Temperatur 50 °C erreichen oder überschreiten kann.
7. Versuchen Sie niemals, den Akku zu verbrennen, selbst wenn er stark beschädigt oder vollkommen verbraucht ist. Der Akku kann im Feuer explodieren.
8. Achten Sie darauf, dass der Akku nicht fallen gelassen oder Stößen ausgesetzt wird.
9. Benutzen Sie keine beschädigten Akkus.
10. Die enthaltenen Lithium-Ionen-Akkus unterliegen den Anforderungen der Gefahrgut-Gesetzgebung.

Für kommerzielle Transporte, z. B. durch Dritte oder Spediteure, müssen besondere Anforderungen zu Verpackung und Etikettierung beachtet werden.

Zur Vorbereitung des zu transportierenden Artikels ist eine Beratung durch einen Experten für Gefahrgut erforderlich. Bitte beachten Sie möglicherweise ausführlichere nationale Vorschriften. Überkleben oder verdecken Sie offene Kontakte, und verpacken Sie den Akku so, dass er sich in der Verpackung nicht umher bewegen kann.

11. Befolgen Sie die örtlichen Bestimmungen bezüglich der Entsorgung von Akkus.
12. Verwenden Sie die Akkus nur mit den von Makita angegebenen Produkten. Das Einsetzen der Akkus in nicht konforme Produkte kann zu einem Brand, übermäßiger Hitzebildung, einer Explosion oder Auslaufen von Elektrolyt führen.

DIESE ANWEISUNGEN AUFBEWAHREN.

▲VORSICHT: Verwenden Sie nur Original-Makita-Akkus. Die Verwendung von Nicht-Original-Makita-Akkus oder von Akkus, die abgeändert worden sind, kann zum Bersten des Akkus und daraus resultierenden Bränden, Personenschäden und Beschädigung führen. Außerdem wird dadurch die Makita-Garantie für das Makita-Werkzeug und -Ladegerät ungültig.

Hinweise zur Aufrechterhaltung der maximalen Akku-Nutzungsdauer

1. Laden Sie den Akku, bevor er vollkommen erschöpft ist. Schalten Sie das Werkzeug stets aus, und laden Sie den Akku, wenn Sie ein Nachlassen der Werkzeugleistung feststellen.
2. Unterlassen Sie erneutes Laden eines voll aufgeladenen Akkus. Überladen führt zu einer Verkürzung der Nutzungsdauer des Akkus.
3. Laden Sie den Akku bei Raumtemperatur zwischen 10 – 40 °C. Lassen Sie einen heißen Akku abkühlen, bevor Sie ihn laden.
4. Der Akku muss geladen werden, wenn er lange Zeit (länger als sechs Monate) nicht benutzt wird.

BEZEICHNUNG DER TEILE

Modell DVC150L

(Modell mit Tuchfilter (für Trocken- und Nassstaub))

- **Abb.1:** 1. Tankabdeckung 2. Schwimmer
3. Schwimmerkäfig 4. Tuchfilter 5. Tank

Modell DVC151L

(Modell mit Pulverfilter (für Trockenstaub))

- **Abb.2:** 1. Tankabdeckung 2. Pulverfilter (HEPA)
3. Dämpfer 4. Vorfilter 5. Tank

FUNKTIONSBESCHREIBUNG

Betrieb mit Netzstrom:

⚠️ WARNUNG: Vergewissern Sie sich vor dem Anschließen des Sauggerätes an das Stromnetz stets, dass das Sauggerät ausgeschaltet ist. Wird das Sauggerät mit eingeschaltetem Schalter angeschlossen, kann es unerwartet starten, was zu schweren Personenschäden führen kann.

Schließen Sie den Stecker an eine Netzstromquelle an.
► Abb.3: 1. Stecker (Form und Kabellänge können je nach Land unterschiedlich sein)

Die Netzanzeige leuchtet auf, wenn der Bereitschaftsschalter auf die Seite „I“ gestellt wird.

► Abb.4: 1. Netzanzeige

HINWEIS: Wird während des Betriebs im Gleichstrommodus der Netzstecker eingesteckt, wird das Sauggerät automatisch auf den Netzstrommodus umgeschaltet.

HINWEIS: Wird das Sauggerät während des Betriebs mit eingesetztem Akku vom Stromnetz getrennt, wird das Sauggerät in den Bereitschaftszustand versetzt.

Betrieb mit Akku:

⚠️ VORSICHT: Vergewissern Sie sich vor der Durchführung von Einstellungen oder Funktionsprüfungen des Sauggerätes stets, dass das Sauggerät ausgeschaltet, vom Stromnetz getrennt und der Akku abgenommen ist.

Anbringen und Abnehmen des Akkus

⚠️ VORSICHT: Schalten Sie das Werkzeug stets aus, bevor Sie den Akku anbringen oder abnehmen.

⚠️ VORSICHT: Halten Sie das Sauggerät und den Akku beim Anbringen oder Abnehmen des Akkus sicher fest. Wenn Sie das Sauggerät und den Akku nicht sicher festhalten, können sie Ihnen aus der Hand rutschen, was zu einer Beschädigung des Sauggerätes und des Akkus und zu Personenschäden führen kann.

⚠️ VORSICHT: Achten Sie beim Öffnen oder Schließen der Akkuabdeckung darauf, dass Sie sich nicht die Finger klemmen. Anderenfalls kann es zu Personenschäden kommen.

Zum Einsetzen des Akkus entriegeln Sie zuerst den Verschluss, und öffnen Sie dann die Akkuabdeckung. Setzen Sie danach den Akku ein.

► Abb.5: 1. Verschluss 2. Akkuabdeckung

Richten Sie die Führungsfeder des Akkus auf die Führungsnut im Gehäuse aus, und schieben Sie den Akku hinein. Schieben Sie ihn vollständig ein, bis er mit einem hörbaren Klicken einrastet. Verriegeln Sie dann die Akkuabdeckung.

► Abb.6: 1. Akku

Ziehen Sie den Akku zum Abnehmen vom Werkzeug ab, während Sie den Knopf an der Vorderseite des Akkus verschieben.

⚠️ VORSICHT: Schieben Sie den Akku stets bis zum Anschlag ein, bis die rote Anzeige nicht mehr sichtbar ist. Anderenfalls kann er versehentlich aus dem Sauggerät herausfallen und Sie oder umstehende Personen verletzen.

⚠️ VORSICHT: Unterlassen Sie Gewaltanwendung beim Anbringen des Akkus. Falls der Akku nicht reibungslos hineingleitet, ist er nicht richtig ausgerichtet.

HINWEIS: Der Staubsauger funktioniert nicht mit nur einem Akku.

HINWEIS: Ziehen Sie den Stecker des Sauggerätes vom Verlängerungskabel ab, wenn Sie das Sauggerät mit den Akkus benutzen.

Anzeigen der Akku-Restkapazität

Nur für Akkus mit Anzeige

► Abb.7: 1. Anzeigelampen 2. Prüftaste

Drücken Sie die Prüftaste am Akku, um die Akku-Restkapazität anzuzeigen. Die Anzeigelampen leuchten wenige Sekunden lang auf.

Anzeigelampen			Restkapazität
Erleuchtet	Aus	Blinkend	
■ ■ ■ ■			75% bis 100%
■ ■ ■ □			50% bis 75%
■ ■ □ □			25% bis 50%
■ □ □ □			0% bis 25%
◻ □ □ □			Den Akku aufladen.
■ □ □ □			Möglicherweise liegt eine Funktionsstörung im Akku vor.
□ □ ■ ■			





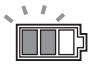
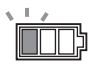
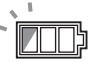
HINWEIS: Abhängig von den Benutzungsbedingungen und der Umgebungstemperatur kann die Anzeige geringfügig von der tatsächlichen Kapazität abweichen.

Anzeigen der Akku-Restkapazität

► **Abb.8:** 1. Akku-Anzeige 2. Prüftaste

► **Abb.9**

Drücken Sie die Prüftaste, um die Akku-Restkapazität anzuzeigen. Jedem Akku sind eigene Akku-Anzeigen zugeordnet.

Status der Akku-Anzeige			Akku-Restkapazität
Ein	Aus	Blinkend	
			
			50% bis 100%
			20% bis 50%
			0% bis 20%
			Akku aufladen


Werkzeug/Akku-Schutzsystem

Das Werkzeug ist mit einem Werkzeug/Akku-Schutzsystem ausgestattet. Dieses System schaltet die Stromversorgung des Motors automatisch ab, um die Lebensdauer von Werkzeug und Akku zu verlängern. Das Werkzeug bleibt während des Betriebs automatisch stehen, wenn das Werkzeug oder der Akku einer der folgenden Bedingungen unterliegt:

Überlastschutz

Wird das Werkzeug auf eine Weise benutzt, die eine ungewöhnlich hohe Stromaufnahme bewirkt, bleibt es ohne jegliche Anzeige automatisch stehen. Schalten Sie in dieser Situation das Werkzeug aus, und brechen Sie die Arbeit ab, die eine Überlastung des Werkzeugs verursacht hat. Schalten Sie dann das Werkzeug wieder ein, um neu zu starten.

Überhitzungsschutz

<input type="checkbox"/> Ein	<input checked="" type="checkbox"/> Blinkend
	

Wenn das Werkzeug überhitzt wird, bleibt es automatisch stehen, und die Akku-Anzeige blinkt etwa 60 Sekunden lang. Lassen Sie das Werkzeug in dieser Situation abkühlen, bevor Sie es wieder einschalten.

Überentladungsschutz

Wenn die Akkukapazität niedrig wird, schaltet sich das Werkzeug automatisch aus. Falls das Produkt trotz Betätigung der Schalter nicht funktioniert, entfernen Sie die Akkus vom Werkzeug, und laden Sie sie auf.

Schalterfunktion



► **Abb.10:** 1. Bereitschaftsschalter 2. Ein-Aus-Taste 3. Saugkraft-Einstellknopf

Zum Starten des Staubsaugers:

1. Stellen Sie den Bereitschaftsschalter auf die Seite „I“. Der Staubsauger wird in den Bereitschaftszustand versetzt.

2. Drücken Sie die Ein-Aus-Taste. Um den Staubsauger in den Bereitschaftsmodus zu versetzen, drücken Sie die Ein-Aus-Taste erneut. Um den Staubsauger auszuschalten, stellen Sie den Bereitschaftsschalter auf die Seite „O“.

Die Saugkraft kann an die jeweils anstehende Arbeit angepasst werden.

Die Saugkraft kann erhöht werden, indem der Saugkraft-Einstellknopf vom Symbol  zum Symbol  gedreht wird.

ANMERKUNG: Stellen Sie den Bereitschaftsschalter immer auf die Seite „O“, wenn Sie den Staubsauger längere Zeit nicht benutzen. Der Staubsauger verbraucht Strom während des Bereitschaftszustands.

Saugstoppautomatik während des Nassaugbetriebs

Nur für das Modell mit Tuchfilter

⚠️ WARNUNG: Benutzen Sie den Staubsauger nicht für längere Zeit, während der Schwimmer in Betrieb ist. Wird der Staubsauger längere Zeit benutzt, während der Schwimmer in Betrieb ist, kann es zu Überhitzung kommen, die in einer Verformung des Staubsaugers resultieren kann.

⚠️ WARNUNG: Saugen Sie keinen Schaum oder seifige Flüssigkeit auf. Das Aufsaugen von Schaum oder seifiger Flüssigkeit kann dazu führen, dass Schaum aus dem Luftauslass austritt, bevor der Schwimmer arbeitet. Fortgesetzter Betrieb in diesem Zustand kann einen elektrischen Schlag und Beschädigung des Staubsaugers verursachen.

Die Saugstoppautomatik funktioniert nur bei Verwendung mit dem Schwimmer und Schwimmerkäfig. Der Staubsauger besitzt einen Schwimmermechanismus, der Eindringen von Wasser in den Motor verhindert, wenn mehr als eine bestimmte Wassermenge aufgesaugt wird. Wenn der Tank voll ist und der Staubsauger kein Wasser mehr aufsaugt, schalten Sie den Staubsauger aus, und entleeren Sie den Tank.

Ver- und Entriegeln der Laufrolle

► **Abb.11:** 1. Laufrolle 2. Stopperhebel 3. Entriegelte Stellung 4. Verriegelte Stellung

Das Verriegeln der Laufrolle ist praktisch zum Aufbewahren des Staubsaugers, zum Unterbrechen der Arbeit und zum Arretieren des Staubsaugers. Zum Betätigen bewegen Sie den Stopper von Hand. Um die Laufrolle mit einem Stopper zu verriegeln, senken Sie den Stopperhebel ab, so dass sich die Laufrolle nicht mehr dreht. Um die Verriegelung der Laufrolle aufzuheben, heben Sie den Stopperhebel an.

HINWEIS: Vergewissern Sie sich vor dem Bewegen des Staubsaugers, dass die Laufrolle entriegelt ist. Bewegen des Staubsaugers mit verriegelter Laufrolle kann eine Beschädigung der Laufrolle verursachen.

Tragehandgriff

Halten Sie den Staubsauger beim Tragen an dem Handgriff am Kopf. Wenn er nicht benutzt wird, kann der Handgriff im Kopf versenkt werden.

► **Abb.12**

MONTAGE

⚠VORSICHT: Vergewissern Sie sich vor der Ausführung von Arbeiten am Sauggerät stets, dass das Sauggerät ausgeschaltet, vom Stromnetz getrennt und der Akku abgenommen ist.

⚠VORSICHT: Tragen Sie während der Montage oder Wartung immer eine Staubmaske.

Installieren des Pulverfilters (HEPA) und des Vorfilters (für Trockenstaub)

Sonderzubehör für Modell mit Tuchfilter

⚠VORSICHT: Saugen Sie niemals Wasser oder andere Flüssigkeiten oder Nassstaub auf, wenn Sie den Pulverfilter verwenden. Durch Aufsaugen solcher Substanzen kann der Pulverfilter beschädigt werden.

Zum Verwenden des Pulverfilters:

1. Entfernen Sie Schwimmerkäfig und Schwimmer durch Herausdrehen der Schrauben.
► **Abb.13:** 1. Schwimmer 2. Schwimmerkäfig
2. Setzen Sie den Vorfilter in den Tank ein, wobei Sie die Montagepositionsmarkierungen ausrichten.
3. Montieren Sie den Dämpfer am Pulverfilter, und setzen Sie dann die Teile in den Vorfilter ein, wobei Sie die Montagepositionsmarkierungen ausrichten.
4. Montieren Sie schließlich die Tankabdeckung, und verriegeln Sie sie.
► **Abb.14:** 1. Tankabdeckung 2. Pulverfilter (HEPA) 3. Dämpfer 4. Vorfilter 5. Tank 6. Montagepositionsmarkierung

ANMERKUNG: Stellen Sie vor der Benutzung des Pulverfilters sicher, dass Vorfilter und Dämpfer immer zusammen verwendet werden. Es ist nicht erlaubt, den Pulverfilter allein zu installieren.

Einsetzen des Wasserfilters

Sonderzubehör für Modell mit Tuchfilter

⚠VORSICHT: Saugen Sie niemals Wasser oder Nassstaub ohne den Schwimmer und den Tuchfilter oder Wasserfilter auf.

⚠VORSICHT: Um Nassstaub aufzusaugen, stellen Sie sicher, dass Schwimmerkäfig und Schwimmer am Staubsauger installiert sind.

⚠VORSICHT: Wenn Sie den Wasserfilter am Tank installieren, bringen Sie ihn fest an der Öffnung des Tanks an, so dass der Haken des Wasserfilters fest in die Tanköffnung eingreift und kein Spiel zwischen Wasserfilter und Tank besteht.

Um nur Wasser oder Nassstaub aufzusaugen, ist der Wasserfilter besser geeignet als der Tuchfilter. Wenn Sie den Wasserfilter installieren, richten Sie seine Montagepositionsmarkierung auf die Markierung am Tank aus.

- **Abb.15:** 1. Wasserfilter 2. Tank
3. Montagepositionsmarkierung

HINWEIS: Es wird empfohlen, den Wasserfilter zu verwenden, wenn wiederholt große Wassermengen aufgesaugt werden. Anderenfalls kann die Saugleistung im Falle eines Tuchfilters reduziert werden.

Einsetzen des Papierbeutels

Sonderzubehör

⚠WARNUNG: Verwenden Sie bei Benutzung des Papierbeutels auch den Sauggerät vorinstallierten Tuchfilter oder Vorfilter zusammen mit dem Papierbeutel. Wird der Tuchfilter / Vorfilter nicht zusammen mit dem Papierbeutel verwendet, können ungewöhnliche Geräusche und Hitze erzeugt werden, was zu einem Brand führen kann.

⚠VORSICHT: (Für das Modell mit Tuchfilter)

- Saugen Sie niemals Wasser oder andere Flüssigkeiten oder Nassstaub auf, wenn Sie den Papierbeutel verwenden. Durch Aufsaugen solcher Substanzen kann der Papierbeutel beschädigt werden.
- Stellen Sie vor der Benutzung des Papierbeutels sicher, dass der Pulverfilter (Sonderzubehör), der Dämpfer (Sonderzubehör) und der Vorfilter immer zusammen verwendet werden.

⚠VORSICHT: (Für das Modell mit Pulverfilter)

- Stellen Sie vor der Benutzung des Papierbeutels sicher, dass der Pulverfilter, der Dämpfer und der Vorfilter immer zusammen verwendet werden.

1. Entfernen Sie den Gummihalter.
► **Abb.16:** 1. Gummihalter
2. Ziehen Sie den Papierbeutel auseinander.
3. Richten Sie die Öffnung des Papierbeutels auf die Staubansaugöffnung des Staubsaugers aus.
4. Schieben Sie den Karton des Papierbeutels auf den Halter, so dass er am Anschlag jenseits des Rastvorsprungs anliegt.
► **Abb.17:** 1. Papierbeutel 2. Halter

Installieren des Polyethylenbeutels

Der Staubsauger kann auch ohne Polyethylenbeutel verwendet werden. Bei Verwendung des Polyethylenbeutels lässt sich jedoch der Tank leichter entleeren, ohne dass Ihre Hände schmutzig werden.

Breiten Sie den Polyethylenbeutel im Tank aus. Führen Sie ihn zwischen Halterplatte und Tank ein, und ziehen Sie ihn zum Schlaucheinlass.

► **Abb.18:** 1. Halterplatte 2. Polyethylenbeutel

Breiten Sie den Beutel an der Oberseite des Tanks aus, so dass der Rand des Tuchfilters / Vorfilters den Beutel erfassen und sicher halten kann.

► **Abb.19:** 1. Tuchfilter / Vorfilter

HINWEIS: Ein im Fachhandel erhältlicher Polyethylenbeutel kann verwendet werden. Beutel mit einer Dicke von mindestens 0,04 mm werden empfohlen.

HINWEIS: Zu viel Staub kann den Beutel leicht zum Zerreißen bringen. Sammeln Sie daher nicht mehr Staub als die Hälfte des Fassungsvermögens des Beutels auf.

Entleeren des Polyethylenbeutels

⚠️ WARNUNG: Vergewissern Sie sich vor dem Entleeren des Polyethylenbeutels immer, dass das Sauggerät ausgeschaltet, vom Stromnetz getrennt und der Akku abgenommen ist.

Anderenfalls kann es zu einem elektrischen Schlag und schweren Personenschäden kommen.

⚠️ VORSICHT: Schützen Sie den Schwimmerkäfig und Tank vor starken Stößen. Starke Stöße können die Teile verformen und beschädigen.

⚠️ VORSICHT: Entleeren Sie den Tank mindestens einmal pro Tag, obwohl dies von der im Tank angesammelten Staubmenge abhängt. Anderenfalls verschlechtert sich die Saugkraft, und der Motor kann beschädigt werden.

⚠️ VORSICHT: Ergreifen Sie nicht den Haken beim Entleeren des Tanks. Durch Ergreifen des Hakens kann dieser beschädigt werden.

Haken Sie die Tankabdeckung aus, und heben Sie sie an.

Schütteln Sie den Staub vom Tuchfilter / Vorfilter ab, und nehmen Sie dann den Polyethylenbeutel aus dem Tank.

► **Abb.20**

HINWEIS: Nehmen Sie den Polyethylenbeutel zum Entleeren vorsichtig aus dem Tank, damit er nicht von dem Vorsprung im Tank erfasst und zerrissen wird.

HINWEIS: Entleeren Sie den Polyethylenbeutel, bevor er ganz voll wird. Zu viel Staub im Tank kann Zerreißen des Polyethylenbeutels verursachen.

Installieren der Werkzeugbox

1. Entriegeln Sie den Verschluss der Akkuabdeckung, und öffnen Sie die Akkuabdeckung.
2. Setzen Sie die Schienen der Werkzeugbox in die Führungsnuten des Gehäuses ein.
3. Schließen Sie die Akkuabdeckung, und verriegeln Sie den Verschluss.

► **Abb.21**

Die Werkzeugbox ist praktisch zur Aufbewahrung von Akkus, Verlängerungskabeln, Rohren oder Manschetten.

► **Abb.22**

Anschließen des Schlauchs

ANMERKUNG: Behandeln Sie den Schlauch niemals gewaltsam, und vermeiden Sie Biegen oder Stampfen. Ziehen Sie den Staubsauger niemals am Schlauch. Gewaltanwendung, Stampfen und Ziehen des Schlauchs können eine Beschädigung oder Verformung des Schlauchs verursachen.

ANMERKUNG: Wenn Sie größere Abfallstücke, wie z. B. Hobelspäne, Betonstaub oder ähnliche größere Abfallstücke aufsaugen, verwenden Sie den Schlauch mit 38 mm Innendurchmesser (Sonderzubehör). Bei Verwendung des Schlauchs mit 28 mm Innendurchmesser (Sonderzubehör) kann es zu Verstopfung und Beschädigung des Schlauchs kommen.

Schieben Sie den Schlauch auf die Montageöffnung des Tanks, und drehen Sie ihn im Uhrzeigersinn, bis er einrastet.

► **Abb.23**

WARTUNG

⚠️ VORSICHT: Vergewissern Sie sich stets, dass das Sauggerät ausgeschaltet, der Stecker abgezogen und der Akku abgenommen ist, bevor Sie sich anschicken, Inspektions- oder Wartungsarbeiten durchzuführen.

ANMERKUNG: Verwenden Sie auf keinen Fall Benzin, Waschbenzin, Verdünnern, Alkohol oder dergleichen. Solche Mittel können Verfärbung, Verformung oder Rissbildung verursachen.

Um die SICHERHEIT und ZUVERLÄSSIGKEIT dieses Produkts zu gewährleisten, sollten Reparaturen und andere Wartungs- oder Einstellarbeiten nur von Makita-Vertragswerkstätten oder Makita-Kundendienstzentren unter ausschließlicher Verwendung von Makita-Originalersatzteilen ausgeführt werden.

Aufbewahrung des Netzkabels

Sie können das Netzkabel um die Werkzeugbox wickeln.

► **Abb.24**

Aufbewahrung von Zubehörteilen

Die Rohre können in den Rohrhalter eingesetzt werden, wenn der Staubsauger kurzzeitig nicht benutzt wird.

► **Abb.25**

► **Abb.26**

Der Schlauch kann durch Verbinden der Enden um das Werkzeug gewickelt werden.

► **Abb.27**

Reinigen des Tuchfilters

Nur für das Modell mit Tuchfilter

Ein verstopfter Tuchfilter verursacht schlechte Saugleistung.

Säubern Sie den Tuchfilter von Zeit zu Zeit.

Um am Tuchfilter haftenden Staub oder Partikel zu entfernen, schütteln Sie den Rahmenboden mehrmals schnell.

► **Abb.28:** 1. Tuchfilter

Reinigen des Pulverfilters (HEPA) und Vorfilters

Nur für das Modell mit Pulverfilter

Ein verstopfter Pulverfilter, Vorfilter und Dämpfer verursacht schlechte Saugleistung. Säubern Sie die Filter und Dämpfer von Zeit zu Zeit.

Um an den Filtern haftenden Staub oder Partikel zu entfernen, schütteln Sie den Rahmenboden mehrmals schnell.

► **Abb.29**

Waschen Sie den Pulverfilter gelegentlich in Wasser aus, spülen Sie ihn ab, und lassen Sie ihn vor Gebrauch im Schatten trocknen. Waschen Sie die Filter niemals in einer Waschmaschine.

HINWEIS: Unterlassen Sie Abreiben oder Abkratzen des Pulverfilters, des Vorfilters oder des Dämpfers mit harten Gegenständen, wie z. B. einer Bürste und einer Kratze.

HINWEIS: Die Filter nutzen im Laufe der Zeit ab. Es ist empfehlenswert, Ersatzfilter bereitzuhalten.

SONDERZUBEHÖR

⚠ VORSICHT: Die folgenden Zubehörteile oder Vorrichtungen werden für den Einsatz mit dem in dieser Anleitung beschriebenen Makita-Werkzeug empfohlen. Die Verwendung anderer Zubehörteile oder Vorrichtungen kann eine Verletzungsgefahr darstellen. Verwenden Sie Zubehörteile oder Vorrichtungen nur für ihren vorgesehenen Zweck.

Wenn Sie weitere Einzelheiten bezüglich dieser Zubehörteile benötigen, wenden Sie sich bitte an Ihre Makita-Kundendienststelle.

- Schlauch
- Frontmanschette (22, 24, 38)
- Gerades Rohr
- Spitzdüse
- Rundbürste
- Pulverfilter, HEPA (für Trockenstaub)
- Dämpfer
- Vorfilter
- Absaugstutzen
- Gebogenes Rohr
- Polyethylenbeutel
- Papierbeutel
- Haltersatz
- Wasserfilter (Option für das Modell mit Tuchfilter)
- Original-Makita-Akku und -Ladegerät

HINWEIS: Manche Teile in der Liste können als Standardzubehör im Werkzeugsatz enthalten sein. Sie können von Land zu Land unterschiedlich sein.

AVVERTENZA

La presente macchina non è destinata all'utilizzo da parte di persone (inclusi i bambini) dalle capacità fisiche, sensoriali o mentali ridotte, o prive di esperienza e preparazione.

I bambini vanno tenuti sotto controllo per assicurare che non giochino con l'elettrodomestico.

DATI TECNICI

Modello:		DVC150L	DVC151L
Tipo di filtro standard		Filtro in tessuto (per polveri asciutte e umide)	Filtro antipolveri (per polveri asciutte)
Portata in volume (aria)	Funzionamento in CC (con BL1850B e tubo flessibile da $\varnothing 38$ mm x 2,5 m)	2,1 m ³ /min	
	Funzionamento in CA (con tubo flessibile da $\varnothing 38$ mm x 2,5 m)	3,6 m ³ /min	
Potenza in aspirazione	Funzionamento in CC (con BL1850B e tubo flessibile da $\varnothing 38$ mm x 2,5 m)	9,0 kPa	
	Funzionamento in CA (con tubo flessibile da $\varnothing 38$ mm x 2,5 m)	24,0 kPa	
Capacità di recupero	Polveri	15 L	
	Acqua	12 L	-
Dimensioni (L x P x A)		366 mm x 334 mm x 421 mm	
Tensione nominale		36 V C.C.	
Peso netto		8,9 - 9,6 kg	9,6 - 10,3 kg
Classe di sicurezza		□/II	

- A causa del nostro programma continuativo di ricerca e sviluppo, i dati tecnici sono soggetti a modifiche senza preavviso.
- I dati tecnici e la cartuccia della batteria potrebbero differire da nazione a nazione.
- Il peso non comprende gli accessori ma comprende la cartuccia della batteria o le cartucce delle batterie. Nella tabella sono indicati il peso combinato minimo e massimo dell'apparecchio insieme alla cartuccia della batteria o alle cartucce delle batterie.
- Per polveri umide, sono richiesti il galleggiante e il filtro dell'acqua o il filtro in tessuto.

Cartuccia della batteria e caricabatterie applicabili

Cartuccia della batteria	BL1815N / BL1820 / BL1820B / BL1830 / BL1830B / BL1840 / BL1840B / BL1850 / BL1850B / BL1860B
Caricabatterie	DC18RC / DC18RD / DC18RE / DC18SD / DC18SE / DC18SF

- Alcune cartucce delle batterie e alcuni caricabatterie elencati sopra potrebbero non essere disponibili a seconda della propria area geografica di residenza.

⚠ AVVERTIMENTO: Utilizzare solo le cartucce delle batterie e i caricabatterie elencati sopra. L'utilizzo di altre cartucce delle batterie e di altri caricabatterie potrebbe causare lesioni personali e/o un incendio.

Simboli

La figura seguente mostra i simboli utilizzati per l'apparecchio. Accertarsi di comprendere il loro significato prima dell'uso.



Leggere il manuale d'uso.



Adottare cura e attenzione particolari.



Avvertenza! L'aspiratore potrebbe contenere polveri pericolose.



Non salire mai sull'aspiratore.



Classe di polveri L (leggere). Gli aspiratori sono in grado di raccogliere polveri di classe L. Attenersi alle normative della propria nazione relative alle polveri e alla salute e alla sicurezza sul lavoro.



DOPPIO ISOLAMENTO



Ni-MH
Li-Ion

Solo per le nazioni UE
Non smaltire apparecchiature elettriche o batterie insieme ai rifiuti domestici! In osservanza delle direttive europee sui rifiuti di apparecchiature elettriche ed elettroniche (RAEE), e su batterie ed accumulatori e sui rifiuti di batterie ed accumulatori, e sulla relativa implementazione in conformità alle norme nazionali, le apparecchiature elettriche e le batterie che hanno raggiunto la fine della loro vita utile devono essere sottoposte a raccolta differenziata e conferite a una struttura di riciclaggio ecocompatibile.

Utilizzo previsto

L'utensile è idoneo all'utilizzo commerciale, ad esempio in hotel, scuole, ospedali, fabbriche, negozi, uffici e noleggi.

DVC150L

Questo utensile è destinato alla raccolta sia di polveri umide che di polveri secche.

DVC151L

Questo utensile è destinato esclusivamente alla raccolta di polveri asciutte.

Alimentazione

L'utensile deve essere collegato a una fonte di alimentazione con la stessa tensione indicata sulla targhetta del nome, e può funzionare solo a corrente alternata monofase. L'utensile è dotato di doppio isolamento, per cui può essere utilizzato con prese elettriche sprovviste di messa a terra.

Rumore

Livello tipico di rumore pesato A determinato in base allo standard EN60335-2-69:

Modello DVC150L

Livello di pressione sonora (L_{pA}): 75 dB (A)
Incertezza (K): 2,5 dB (A)

Modello DVC151L

Livello di pressione sonora (L_{pA}): 75 dB (A)
Incertezza (K): 2,5 dB (A)

Il livello del rumore nelle condizioni di lavoro può superare gli 80 dB (A).

NOTA: Il valore o i valori dichiarati delle emissioni di rumori sono stati misurati in conformità a un metodo standard di verifica, e possono essere utilizzati per confrontare un utensile con un altro.

NOTA: Il valore o i valori dichiarati delle emissioni di rumori possono venire utilizzati anche per una valutazione preliminare dell'esposizione.

AVVERTIMENTO: Indossare protezioni per le orecchie.

AVVERTIMENTO: L'emissione di rumori durante l'utilizzo effettivo dell'utensile elettrico può variare rispetto al valore o ai valori dichiarati, a seconda dei modi in cui viene utilizzato l'utensile e specialmente a seconda di che tipo di pezzo venga lavorato.

AVVERTIMENTO: Accertarsi di identificare misure di sicurezza per la protezione dell'operatore che siano basate su una stima dell'esposizione nelle condizioni effettive di utilizzo (tenendo conto di tutte le parti del ciclo operativo, ad esempio del numero di spegnimenti dell'utensile e di quando giri a vuoto, oltre al tempo di attivazione).

Vibrazioni

Valore totale delle vibrazioni (somma vettoriale triassiale) determinato in base allo standard EN60335-2-69: Emissione di vibrazioni ($a_{h,M}$): 2,5 m/s² o inferiore
Incertezza (K): 1,5 m/s²

NOTA: Il valore o i valori complessivi delle vibrazioni dichiarati sono stati misurati in conformità a un metodo standard di verifica, e possono essere utilizzati per confrontare un utensile con un altro.

NOTA: Il valore o i valori complessivi delle vibrazioni dichiarati possono venire utilizzati anche per una valutazione preliminare dell'esposizione.

AVVERTIMENTO: L'emissione delle vibrazioni durante l'utilizzo effettivo dell'utensile elettrico può variare rispetto al valore o ai valori dichiarati, a seconda dei modi in cui viene utilizzato l'utensile, specialmente a seconda di che tipo di pezzo venga lavorato.

AVVERTIMENTO: Accertarsi di identificare misure di sicurezza per la protezione dell'operatore che siano basate su una stima dell'esposizione nelle condizioni effettive di utilizzo (tenendo conto di tutte le parti del ciclo operativo, ad esempio del numero di spegnimenti dell'utensile e di quando giri a vuoto, oltre al tempo di attivazione).

Dichiarazione di conformità CE

Solo per i paesi europei

La dichiarazione di conformità CE è inclusa nell'Allegato A al presente manuale di istruzioni.

AVVERTENZE DI SICUREZZA

Avvertenze di sicurezza relativa all'aspirapolvere a filo e a batteria

⚠ AVVERTIMENTO: IMPORTANTE! LEGGERE CON ATTENZIONE tutte le avvertenze di sicurezza e tutte le istruzioni PRIMA DELL'USO. La mancata osservanza delle avvertenze e delle istruzioni potrebbe risultare in scosse elettriche, incendi e/o gravi lesioni personali.

1. Prima dell'uso, accertarsi che il presente aspiratore venga utilizzato esclusivamente da personale che sia stato istruito in modo adeguato sull'utilizzo del presente aspiratore.
2. In caso di fuoriuscita di schiuma/liquido, spegnere immediatamente l'apparecchio.
3. Pulire a intervalli regolari il dispositivo di limitazione del livello dell'acqua e ispezionarlo alla ricerca di segni di danneggiamento.
4. Non utilizzare l'aspiratore senza il filtro. Sostituire immediatamente un filtro danneggiato.
5. **USO DEL CAVO DI PROLUNGA.** Quando si intende utilizzare un cavo di prolunga a causa di una notevole distanza dalla fonte di alimentazione, provare a utilizzare un cavo dello spessore sufficiente, ma di lunghezza non eccessiva; in caso contrario, le prestazioni dell'aspiratore subiranno un impatto negativo. Per applicazioni all'aperto, utilizzare un cavo di prolunga idoneo per l'utilizzo all'aperto.
6. **AVVERTENZA RELATIVA AL VOLTAGGIO:** Prima di collegare l'aspiratore a una fonte di alimentazione (presa elettrica multipla o singola, e così via), accertarsi che il voltaggio erogato coincida con quello specificato sulla targhetta dei dati identificativi dell'aspiratore. Una fonte di alimentazione con un voltaggio superiore a quello specificato per l'aspiratore può risultare in **GRAVI LESIONI PERSONALI** all'operatore, nonché in danni all'aspiratore. In caso di dubbi, **NON COLLEGARE L'ASPIRATORE ALLA PRESA ELETTRICA.** L'utilizzo di una fonte di alimentazione con un voltaggio inferiore a quello nominale indicato sulla targhetta dei dati identificativi è dannoso per il motore.
7. **EVITARE L'AVVIO ACCIDENTALE.** Accertarsi che l'interruttore sia in posizione OFF (spento) durante il collegamento all'alimentazione elettrica.
8. Non tentare di raccogliere materiali infiammabili, fuochi d'artificio, sigarette accese, ceneri calde, schegge di metallo roventi, materiali affilati quali rasoi, aghi, vetri rotti o simili.
9. **NON UTILIZZARE MAI L'ASPIRATORE IN PROSSIMITÀ DI BENZINA, GAS, VERNICI, ADESIVI O ALTRE SOSTANZE ALTAMENTE ESPLOSIVE.** L'interruttore emette delle scintille quando viene attivato e disattivato. Anche il commutatore del motore emette scintille durante l'uso. Di conseguenza, potrebbe verificarsi un'esplosione pericolosa.
10. Non aspirare mai materiali tossici, cancerogeni, combustibili o altri materiali pericolosi quali amianto, arsenico, bario, berillio, piombo, pesticidi o altri materiali nocivi.
11. Non utilizzare mai l'aspiratore all'aperto sotto la pioggia.
12. Non utilizzare in prossimità di fonti di calore (cucine, e così via).
13. **PROTEZIONE DALLE SCOSSE ELETTRICHE.** Evitare il contatto del corpo con superfici collegate a terra. Ad esempio, tubi metallici, radiatori, cucine, celle frigorifere.
14. **Non ostruire le feritoie di ventilazione.** Tali feritoie consentono il raffreddamento del motore. Le ostruzioni vanno evitate con cura; in caso contrario, il motore si brucia a causa della mancanza di ventilazione.
15. **Mantenere sempre un corretto appoggio sui piedi e l'equilibrio.**
16. **NON SOTTOPORRE IL CAVO A USI IMPROPRI.** Non trasportare mai l'aspiratore tenendolo per il cavo, né tirare quest'ultimo per scollegarlo dalla presa elettrica. Tenere il cavo lontano da calore, olio e bordi affilati. Ispezionare a intervalli regolari i cavi dell'aspiratore, e qualora siano danneggiati, farli riparare da un centro di assistenza autorizzato. Ispezionare a intervalli regolari i cavi di prolunga e sostituirli, se danneggiati.
17. Non piegare, tirare o calpestare il tubo flessibile.
18. Arrestare immediatamente l'aspiratore qualora si notino prestazioni scadenti o qualsiasi anomalia durante l'uso.
19. **SCOLLEGARE L'ASPIRATORE.** quando non si utilizza l'apparecchio, prima di interventi di assistenza e quando si intende sostituire gli accessori.
20. Pulire e sottoporre a manutenzione l'aspiratore subito dopo ciascun utilizzo per mantenerlo in condizioni operative ottimali.
21. **SOTTOPORRE A MANUTENZIONE L'ASPIRATORE CON CURA.** Mantenere l'aspiratore pulito per prestazioni migliori e più sicure. Seguire le istruzioni per la sostituzione degli accessori. Mantenere le maniglie pulite, asciutte e prive di olio e grasso.
22. **CONTROLLARE L'EVENTUALE PRESENZA DI PARTI DANNEGGIATE.** Prima di utilizzare ulteriormente l'aspiratore, controllare con cura protezioni o altre parti che siano danneggiate per accertarsi che funzionino correttamente e che svolgano la funzione a cui sono destinate. Controllare l'allineamento delle parti mobili, la presenza di eventuali inceppamenti delle parti mobili o rottura dei componenti, il montaggio ed eventuali altre condizioni che potrebbero influenzare il funzionamento. Una protezione o un'altra parte che siano danneggiate vanno riparate correttamente o sostituite da un centro di assistenza autorizzato, se non diversamente indicato altrove nel presente manuale di istruzioni. Far sostituire gli interruttori difettosi da un centro di assistenza autorizzato. Non utilizzare l'aspiratore qualora l'interruttore non consenta di accenderlo e spegnerlo.

23. **PEZZI DI RICAMBIO.** Quando si effettuano interventi di assistenza, utilizzare esclusivamente pezzi di ricambio identici.
24. **RIPORRE L'ASPIRATORE QUANDO NON VIENE UTILIZZATO.** Quando l'aspiratore non è in uso, dovrebbe venire riposto al chiuso.
25. I filtri per liquidi e la parte interna del contenitore per liquidi vanno asciugati prima di conservarli.
26. Maneggiare con delicatezza l'aspiratore. Anche l'aspiratore più robusto può rompersi a causa dell'incuria nel maneggiarlo.
27. **Non tentare di pulire la superficie esterna o interna con benzina, solventi o prodotti chimici di pulizia.** In caso contrario, si potrebbero causare spaccature e scolorimenti.
28. **Non utilizzare l'aspiratore in spazi chiusi in cui siano presenti emissioni di vapori infiammabili, esplosivi o tossici** dovute a vernici a olio, diluenti per vernici, benzina, alcune sostanze per trattamenti antitarmici, e così via, o in aree in cui siano presenti polveri infiammabili.
29. **Non lasciare il cavo dell'aspiratore sul pavimento dopo aver terminato un'operazione di pulizia.** Si potrebbe correre il rischio di inciamparvi, o quest'ultimo potrebbe causare danni all'aspiratore.
30. **Non utilizzare questo utensile o altri utensili sotto l'effetto di droghe o alcolici.**
31. Come regola di base per la sicurezza, utilizzare occhiali oppure occhiali di sicurezza con paraocchi laterali.
32. Utilizzare una maschera antipolvere in condizioni di lavoro che presentino polveri.
33. La presente macchina non è destinata all'utilizzo da parte di persone, inclusi i bambini, dalle capacità fisiche, sensoriali o mentali ridotte, o prive di esperienza e preparazione.
34. I bambini vanno tenuti sotto controllo per accertarsi che non giochino con l'aspiratore.
35. **Non maneggiare mai la spina del cavo o l'aspiratore con le mani bagnate.**
36. **Adottare estrema cautela durante la pulizia delle scale.**
37. **Non utilizzare l'aspiratore come sgabello o piano di lavoro.** In caso contrario, la macchina potrebbe cadere, causando lesioni personali.

Uso e manutenzione degli strumenti a batterie

1. **Ricaricare solo con il caricabatterie specificato dal produttore.** Un caricabatterie appropriato per un tipo di batteria potrebbe creare un rischio di incendio, se utilizzato con un'altra batteria.
2. **Utilizzare gli utensili elettrici solo con le batterie specificamente designate.** L'uso di qualsiasi altra batteria potrebbe creare un rischio di lesioni personali e incendi.
3. **Quando la batteria non è in uso, tenerla lontana da altri oggetti metallici, quali graffette, monete, chiodi, viti o altri piccoli oggetti metallici, che potrebbero fare contatto tra terminali diversi.** Il cortocircuito dei terminali della batteria può causare ustioni o incendi.

4. **In condizioni di uso improprio, la batteria potrebbe emettere un liquido: evitare il contatto con tale liquido.** Qualora si verifichi un contatto accidentale con il liquido, lavare abbondantemente con acqua. Qualora il liquido entri in contatto con gli occhi, richiedere anche assistenza medica. Il liquido espulso dalla batteria può causare irritazioni o ustioni.
5. **Non utilizzare una batteria o un utensile che siano danneggiati o che siano stati modificati.** Batterie danneggiate o modificate potrebbero mostrare un comportamento imprevedibile che può risultare in incendi, esplosioni o nel rischio di lesioni personali.
6. **Non esporre una batteria o un utensile al fuoco o a temperature eccessive.** L'esposizione al fuoco o a temperature superiori ai 130 °C potrebbe causare un'esplosione.
7. **Attenersi a tutte le istruzioni relative alla carica e non caricare la batteria o l'utensile al di fuori della gamma di temperature specificate nelle istruzioni.** Una carica inappropriata o a temperatura al di fuori della gamma specificata potrebbe danneggiare la batteria e incrementare il rischio di incendio.

CONSERVARE LE PRESENTI ISTRUZIONI.

⚠AVVERTIMENTO: NON lasciare che la comodità o la familiarità d'uso con il prodotto (acquisita con l'uso ripetuto) sostituiscano la stretta osservanza delle norme di sicurezza. L'USO IMPROPRIO o la mancata osservanza delle norme di sicurezza riportate nel presente manuale manuale di istruzioni potrebbero causare lesioni personali gravi.

Istruzioni di sicurezza importanti per la cartuccia della batteria

1. Prima di utilizzare la cartuccia della batteria, leggere tutte le istruzioni e le avvertenze riportate (1) sul caricabatteria, (2) sulla batteria e (3) sul prodotto che utilizza la batteria.
2. Non smontare la cartuccia della batteria.
3. Qualora il tempo di utilizzo si riduca eccessivamente, interrompere immediatamente l'utilizzo dell'utensile. In caso contrario, si può incorrere nel rischio di surriscaldamento, possibili ustioni e persino un'esplosione.
4. Qualora l'elettrolita entri in contatto con gli occhi, sciacquarli con acqua pulita e richiedere immediatamente assistenza medica. Questa eventualità può risultare nella perdita della vista.
5. **Non cortocircuitare la cartuccia della batteria:**
 - (1) Non toccare i terminali con alcun materiale conduttivo.
 - (2) Evitare di conservare la cartuccia della batteria in un contenitore insieme ad altri oggetti metallici quali chiodi, monete, e così via.
 - (3) Non esporre la cartuccia della batteria all'acqua o alla pioggia.

- Un cortocircuito della batteria può causare un grande flusso di corrente, un surriscaldamento, possibili ustioni e persino un guasto.
6. Non conservare l'utensile e la cartuccia della batteria in ubicazioni in cui la temperatura possa raggiungere o superare i 50°C.
 7. Non incenerire la cartuccia della batteria anche qualora sia gravemente danneggiata o completamente esaurita. La cartuccia della batteria può esplodere se a contatto con il fuoco.
 8. Fare attenzione a non far cadere e a non colpire la batteria.
 9. Non utilizzare una batteria danneggiata.
 10. Le batterie a ioni di litio contenute sono soggette ai requisiti del regolamento sul trasporto di merci pericolose (Dangerous Goods Legislation).

Per trasporti commerciali, ad esempio da parte di terzi o spedizionieri, è necessario osservare dei requisiti speciali sull'imballaggio e sull'etichetta.

Per la preparazione dell'articolo da spedire, è richiesta la consulenza di un esperto in materiali pericolosi. Attenersi anche alle normative nazionali, che potrebbero essere più dettagliate.

Nastrare o coprire i contatti aperti e imballare la batteria in modo tale che non si possa muovere liberamente all'interno dell'imballaggio.

11. **Attenersi alle normative locali relative allo smaltimento della batteria.**
12. **Utilizzare le batterie esclusivamente con i prodotti specificati da Makita.** L'installazione delle batterie in prodotti non compatibili potrebbe risultare in incendi, calore eccessivo, esplosioni o perdite di liquido elettrolitico.

CONSERVARE LE PRESENTI ISTRUZIONI.

⚠ATTENZIONE: Utilizzare solo batterie originali Makita. L'utilizzo di batterie Makita non originali, o di batterie che siano state alterate, potrebbe risultare nello scoppio della batteria, causando incendi, lesioni personali e danni. Inoltre, ciò potrebbe invalidare la garanzia Makita per l'utensile e il caricabatterie Makita.

Suggerimenti per preservare la durata massima della batteria

1. Caricare la cartuccia della batteria prima che si scarichi completamente. Smettere sempre di utilizzare l'utensile e caricare la cartuccia della batteria quando si nota che la potenza dell'utensile è diminuita.
2. Non ricaricare mai una cartuccia della batteria completamente carica. La sovraccarica riduce la vita utile della batteria.
3. Caricare la cartuccia della batteria a una temperatura ambiente compresa tra 10°C e 40°C. Lasciar raffreddare una cartuccia della batteria prima di caricarla.
4. Caricare la cartuccia della batteria se non la si è utilizzata per un periodo di tempo prolungato (più di sei mesi).

DESCRIZIONE DELLE PARTI

Modello DVC150L

(Modello con filtro in tessuto (per polveri asciutte e umide))

- **Fig.1:** 1. Coperchio del serbatoio 2. Galleggiante
3. Gabbia del galleggiante 4. Filtro in tessuto
5. Serbatoio

Modello DVC151L

(Modello con filtro antipolveri (per polveri asciutte))

- **Fig.2:** 1. Coperchio del serbatoio 2. Filtro antipolveri (HEPA) 3. Filtro in spugna 4. Prefiltro
5. Serbatoio

DESCRIZIONE DELLE FUNZIONI

Utilizzo con alimentazione CA:

⚠AVVERTIMENTO: Prima di collegare l'aspiratore alla presa elettrica, accertarsi sempre che l'aspiratore sia spento. Qualora si colleghi l'aspiratore alla presa elettrica con l'interruttore attivato, si potrebbe causare un avvio imprevisto che potrebbe risultare in gravi lesioni personali.

Collegare la spina a una fonte di alimentazione.

- **Fig.3:** 1. Spina (la forma e la lunghezza del cavo possono variare da una nazione all'altra)

L'indicatore dell'alimentazione CA si illumina quando si imposta il commutatore di standby sul lato "I".

- **Fig.4:** 1. Indicatore dell'alimentazione CA

NOTA: Anche durante il funzionamento in modalità di alimentazione CC, l'aspiratore passa automaticamente alla modalità di alimentazione CA quando viene collegato a una presa elettrica.

NOTA: Qualora l'aspiratore venga scollegato dalla presa elettrica durante il funzionamento con la batteria inserita, l'aspiratore si dispone sullo stato di standby.

Utilizzo a batteria:

⚠ATTENZIONE: Prima di regolare o di controllare il funzionamento dell'aspiratore, accertarsi sempre che quest'ultimo sia spento, scollegato dalla presa elettrica, e che la cartuccia della batteria sia stata rimossa.

Installazione o rimozione della cartuccia della batteria

⚠ATTENZIONE: Spegnerne sempre l'utensile prima di installare o rimuovere la cartuccia della batteria.

⚠ATTENZIONE: Quando si intende installare o rimuovere la cartuccia della batteria, mantenere saldamente l'aspiratore e la cartuccia della batteria. Qualora non si mantengano saldamente l'aspiratore e la cartuccia della batteria, questi ultimi potrebbero scivolare dalle mani, con la possibilità di causare un danneggiamento dell'aspiratore e della cartuccia della batteria, nonché lesioni personali.

⚠ATTENZIONE: Fare attenzione a non far restare incastrate le dita durante l'apertura o la chiusura dello sportellino delle batterie. In caso contrario, si potrebbero causare lesioni personali.

Per installare la cartuccia della batteria, sbloccare innanzitutto la chiusura, quindi aprire lo sportellino delle batterie. Dopodiché, inserire la cartuccia della batteria.

► **Fig.5:** 1. Chiusura 2. Sportellino delle batterie

Allineare la linguetta sulla cartuccia della batteria con la scanalatura nell'alloggiamento, quindi far scivolare la batteria in sede. Inserirla completamente fino a quando si innesta in sede con un piccolo scatto. Quindi, bloccare lo sportellino delle batterie.

► **Fig.6:** 1. Cartuccia della batteria

Per rimuovere la cartuccia della batteria, farla scorrere via dall'utensile mentre si fa scorrere allo stesso tempo il pulsante sul lato anteriore della cartuccia.

⚠ATTENZIONE: Installare sempre fino in fondo la cartuccia della batteria, fino a quando l'indicatore rosso non è più visibile. In caso contrario, la batteria potrebbe cadere accidentalmente dall'aspiratore, causando lesioni personali all'operatore o a chi gli è vicino.

⚠ATTENZIONE: Non installare forzatamente la cartuccia della batteria. Qualora la batteria non si inserisca scorrendo agevolmente, vuol dire che non viene inserita correttamente.

NOTA: L'aspiratore non funziona con una sola cartuccia della batteria.

NOTA: Quando si intende utilizzare l'aspiratore con le batterie, rimuovere la spina dell'aspiratore dal cavo di prolunga.

Indicazione della carica residua della batteria

Solo per cartucce delle batterie dotate di indicatore

► **Fig.7:** 1. Indicatori luminosi 2. Pulsante di controllo

Premere il pulsante di controllo sulla cartuccia della batteria per indicare la carica residua della batteria. Gli indicatori luminosi si illuminano per alcuni secondi.

Indicatori luminosi			Carica residua
■ Illuminato	□ Spento	◐ Lampeggiante	
■ ■ ■ ■			Dal 75% al 100%
■ ■ ■ □			Dal 50% al 75%
■ ■ □ □			Dal 25% al 50%
■ □ □ □			Dallo 0% al 25%
◐ □ □ □			Caricare la batteria.
■ ■ □ □			La batteria potrebbe essersi guastata.
□ □ ■ ■			

NOTA: A seconda delle condizioni d'uso e della temperatura ambiente, l'indicazione potrebbe variare leggermente rispetto alla carica effettiva.

Indicazione della carica residua della batteria

► **Fig.8:** 1. Indicatore della batteria 2. Pulsante di controllo

► **Fig.9**

Premere il pulsante di controllo per indicare le cariche residue delle batterie. Gli indicatori delle batterie corrispondono alle rispettive batterie.

Stato dell'indicatore della batteria			Carica residua della batteria
■ Acceso	□ Spento	◐ Lampeggiante	
■ ■ ■ ■			Dal 50% al 100%
■ ■ ■ □			Dal 20% al 50%
■ ■ □ □			Dallo 0% al 20%
◐ □ □ □			Caricare la batteria

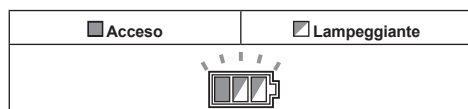
Sistema di protezione strumento/batteria

L'utensile è dotato di un sistema di protezione dell'utensile stesso e della batteria. Tale sistema interrompe automaticamente l'alimentazione al motore per prolungare la vita utile dell'utensile e della batteria. L'utensile si arresta automaticamente durante il funzionamento, qualora l'utensile o la batteria vengano a trovarsi in una delle condizioni seguenti:

Protezione dal sovraccarico

Quando l'utensile viene utilizzato in un modo che causa un assorbimento di corrente elevato in modo anomalo, lo strumento si arresta automaticamente senza alcuna indicazione. In questa situazione, spegnere l'utensile e interrompere l'applicazione che ne ha causato il sovraccarico. Quindi, accendere l'utensile per ricominciare.

Protezione dal surriscaldamento



Quando l'utensile è surriscaldato si arresta automaticamente, e l'indicatore della batteria lampeggia per circa 60 secondi. In tal caso, lasciar raffreddare l'utensile prima di riaccenderlo.

Protezione dalla sovraccarica

Quando la carica della batteria diventa bassa, l'utensile si arresta automaticamente. Qualora il prodotto non funzioni anche quando si attivano gli interruttori, rimuovere le batterie dall'utensile e caricarle.

Funzionamento dell'interruttore

► **Fig.10:** 1. Commutatore di standby 2. Pulsante di accensione 3. Manopola di regolazione della forza di aspirazione

Per avviare l'aspiratore:

1. Impostare il commutatore di standby sul lato "I".
L'aspiratore si dispone nello stato di standby.
2. Premere il pulsante di accensione.
Per far sì che l'aspiratore si disponga nello stato di standby, premere di nuovo il pulsante di accensione.
Per spegnere l'aspiratore, impostare il commutatore di standby sul lato "O".

È possibile regolare la forza di aspirazione a seconda delle esigenze del lavoro.

È possibile aumentare la forza di aspirazione ruotando la manopola di regolazione della forza di aspirazione dal simbolo al simbolo

AVVISO: Impostare sempre il commutatore di standby sul lato "O" quando non si intende utilizzare l'aspiratore per un periodo di tempo prolungato. L'aspiratore consuma energia quando è nello stato di standby.

Arresto automatico dell'aspirazione durante il funzionamento con aspirazione a umido

Solo per il modello dotato di filtro in tessuto

AVVERTIMENTO: Non utilizzare per un periodo di tempo prolungato quando è in funzione il galleggiante. L'utilizzo dell'aspiratore quando il galleggiante è in funzione per un periodo di tempo prolungato può causare un surriscaldamento e, di conseguenza, la deformazione dell'aspiratore.

AVVERTIMENTO: Non aspirare schiuma o liquidi saponosi. L'aspirazione di schiuma o liquidi saponosi può causare la fuoriuscita di schiuma dall'uscita dell'aria prima che il galleggiante entri in funzione. Il proseguimento dell'utilizzo in queste condizioni potrebbe causare scosse elettriche e il guasto dell'aspiratore.

L'arresto automatico dell'aspirazione funziona solo quando si utilizzano il galleggiante e la gabbia del galleggiante.

L'aspiratore dispone di un meccanismo con galleggiante che impedisce la penetrazione dell'acqua nel motore quando si aspira più di una determinata quantità d'acqua. Quando il serbatoio è pieno e l'aspiratore non raccoglie più l'acqua, spegnere l'aspiratore e svuotare il serbatoio.

Blocco o sblocco della rotella girevole

► **Fig.11:** 1. Rotella girevole 2. Leva del freno 3. Posizione di MOVIMENTO LIBERO 4. Posizione di BLOCCO

Il blocco della rotella girevole è pratico quando si intende riporre l'aspiratore, interrompere il lavoro lungo il percorso e per mantenere fermo l'aspiratore.

Per utilizzare il freno, spostarlo a mano.
Per bloccare la rotella girevole con il freno, abbassare la leva del freno: la rotella girevole smette di girare. Per sbloccare la rotella girevole dalla posizione bloccata, sollevare la leva del freno.

NOTA: Quando si intende spostare l'aspiratore, accertarsi che la rotella girevole sia sbloccata. Qualora si sposti l'aspiratore con la rotella girevole nella posizione bloccata, si potrebbe danneggiare la rotella girevole.

Maniglia da trasporto

Quando si intende trasportare l'aspiratore, trasportarlo afferrandolo per la maniglia sul lato superiore. La maniglia è retrattile sul lato superiore, quando non è in uso.

► **Fig.12**

MONTAGGIO

⚠ATTENZIONE: Prima di effettuare qualsiasi intervento sull'utensile, accertarsi sempre che quest'ultimo sia spento, scollegato dalla presa elettrica, e che la cartuccia della batteria sia stata rimossa.

⚠ATTENZIONE: Indossare sempre una mascherina antipolvere durante il montaggio o la manutenzione.

Installazione del filtro antipolveri (HEPA) e del prefiltro (per polveri asciutte)

Accessorio opzionale per il modello con filtro in tessuto

⚠ATTENZIONE: Non raccogliere mai acqua o altri liquidi né polveri bagnate quando si utilizza il filtro antipolveri. La raccolta di oggetti di questo genere potrebbe causare la rottura del filtro antipolveri.

Per utilizzare il filtro antipolveri:

1. Rimuovere la gabbia del galleggiante e il galleggiante rimuovendo i bulloni.

► **Fig.13:** 1. Galleggiante 2. Gabbia del galleggiante

2. Posizionare il prefiltro nel serbatoio allineando gli indicatori delle posizioni di montaggio.

3. Montare il filtro in spugna sul filtro antipolveri e quindi sistemare questi ultimi nel prefiltro allineando gli indicatori delle posizioni di montaggio.

4. Infine, montare il coperchio del serbatoio e bloccarlo.

► **Fig.14:** 1. Coperchio del serbatoio 2. Filtro antipolveri (HEPA) 3. Filtro in spugna 4. Prefiltro 5. Serbatoio 6. Indicatore della posizione di montaggio

AVVISO: Prima di utilizzare il filtro antipolveri, accertarsi che il prefiltro e il filtro in spugna siano sempre utilizzati assieme. Non è consentito installare il filtro antipolveri da solo.

Installazione del filtro dell'acqua

Accessorio opzionale per il modello con filtro in tessuto

⚠ATTENZIONE: Non raccogliere mai acqua o polveri bagnate senza il galleggiante e il filtro in tessuto o il filtro dell'acqua.

⚠ATTENZIONE: Per raccogliere polveri bagnate, accertarsi che la gabbia del galleggiante e il galleggiante siano installati sull'aspiratore.

⚠ATTENZIONE: Quando si intende installare il filtro dell'acqua sul serbatoio, fissarlo saldamente all'apertura del serbatoio, in modo che il gancio del filtro dell'acqua si innesti saldamente sull'apertura del serbatoio e non resti spazio tra il filtro dell'acqua e il serbatoio.

Per raccogliere solo acqua o polveri bagnate, il filtro dell'acqua è più adatto del filtro in tessuto. Quando si installa il filtro dell'acqua, allineare il suo indicatore della posizione di montaggio con quello sul serbatoio.

► **Fig.15:** 1. Filtro dell'acqua 2. Serbatoio 3. Indicatore della posizione di montaggio

NOTA: Si consiglia l'utilizzo del filtro dell'acqua quando si intende raccogliere ripetutamente grandi quantitativi d'acqua. In caso contrario, con il filtro in tessuto, la capacità di aspirazione potrebbe venire ridotta.

Installazione del pacchetto di carta

Accessorio opzionale

⚠AVVERTIMENTO: Quando si intende utilizzare il pacchetto di carta, utilizzare assieme anche il filtro in tessuto o il prefiltro preinstallato sull'aspiratore. Il mancato utilizzo congiunto del filtro in tessuto o del prefiltro potrebbe causare rumore e calore anomali, e risultare in un incendio.

⚠ATTENZIONE: (Per il modello dotato di filtro in tessuto)

- **Non raccogliere mai acqua o altri liquidi né polveri bagnate quando si utilizza il pacchetto di carta.** La raccolta di oggetti di questo genere potrebbe causare la rottura del pacchetto di carta.
- **Prima di utilizzare il pacchetto di carta, accertarsi che il filtro antipolveri (accessorio opzionale), il filtro in spugna (accessorio opzionale) e il prefiltro siano sempre utilizzati assieme.**

⚠ATTENZIONE: (Per il modello dotato di filtro antipolveri)

- **Prima di utilizzare il pacchetto di carta, accertarsi che il filtro antipolveri, il filtro in spugna e il prefiltro siano sempre utilizzati assieme.**

1. Rimuovere il supporto in gomma.

► **Fig.16:** 1. Supporto in gomma

2. Allungare il pacchetto di carta.

3. Allineare l'apertura del pacchetto di carta con l'apertura di aspirazione delle polveri dell'aspiratore.

4. Inserire il cartoncino del pacchetto di carta sul supporto in modo da posizionarlo all'estremità, oltrepassando la sporgenza di arresto.

► **Fig.17:** 1. Pacchetto di carta 2. Supporto

Installazione del sacchetto di polietilene

È anche possibile utilizzare l'aspiratore senza il sacchetto in polietilene. Tuttavia, se si utilizza il sacchetto in polietilene, è più facile svuotare il serbatoio senza sporcarsi le mani.

Distendere il sacchetto in polietilene all'interno del serbatoio. Inserirlo fra la piastra del supporto e il serbatoio, quindi tirarlo verso l'entrata del tubo flessibile.

► **Fig.18:** 1. Piastra del supporto 2. Sacchetto in polietilene

Distendere il sacchetto intorno alla parte superiore del serbatoio, in modo che il bordo del filtro in tessuto o del prefiltro possa agganciare e sostenere saldamente il sacchetto.

► **Fig.19:** 1. Filtro in tessuto/prefiltro

NOTA: È possibile utilizzare un comune sacchetto in polietilene disponibile in commercio. Si consiglia di utilizzarne uno di spessore pari o superiore a 0,04 mm.

NOTA: Una quantità eccessiva di polveri causa facilmente lo strappo del sacchetto; pertanto, evitare di superare la metà della capacità del sacchetto nel raccogliere le polveri.

Svuotamento del sacchetto in polietilene

⚠AVVERTIMENTO: Prima di svuotare il sacchetto in polietilene, accertarsi sempre che l'aspiratore sia spento, scollegato dalla presa elettrica, e che la cartuccia della batteria sia stata rimossa. In caso contrario, si potrebbero causare scosse elettriche e gravi lesioni personali.

⚠ATTENZIONE: Evitare forti impatti sulla gabbia del galleggiante e sul serbatoio. Qualora si verifici un forte impatto, si potrebbe causare la deformazione e il danneggiamento delle parti.

⚠ATTENZIONE: Svuotare il serbatoio almeno una volta al giorno, anche se la frequenza dipende dal volume delle polveri raccolte nel serbatoio. In caso contrario, la forza di aspirazione si riduce e il motore potrebbe rompersi.

⚠ATTENZIONE: Quando si intende svuotare il serbatoio, non afferrare il gancio. Qualora si afferrasse il gancio, si potrebbe causare la rottura.

Sganciare e sollevare il coperchio del serbatoio. Scuotere via le polveri dal filtro in tessuto o dal prefiltro, quindi estrarre il sacchetto in polietilene dal serbatoio.

► **Fig.20**

NOTA: Estrarre con attenzione il sacchetto in polietilene dal serbatoio, in modo da evitare che il sacchetto in polietilene resti impigliato e si strappi a causa della sporgenza all'interno del serbatoio, quando lo si svuota.

NOTA: Svuotare il sacchetto in polietilene prima che sia completamente pieno. Una quantità eccessiva di polveri nel serbatoio potrebbe causare lo strappo del sacchetto in polietilene.

Installazione della cassetta degli attrezzi

1. Sbloccare la chiusura dello sportellino delle batterie, quindi aprire lo sportellino delle batterie.
2. Inserire i binari presenti sulla cassetta degli attrezzi nelle scanalature presenti nell'alloggiamento.
3. Chiudere lo sportellino delle batterie e bloccare la chiusura.

► **Fig.21**

La cassetta degli attrezzi è comoda per trasportare batterie, un cavo di prolunga, un tubo o risvolti.

► **Fig.22**

Collegamento del tubo flessibile

AVVISO: Non piegare mai forzatamente il tubo flessibile né calpestarlo. Non spostare mai l'aspiratore tirandolo per il tubo flessibile. Qualora si forzi, si calpesti o si tiri il tubo flessibile, si potrebbe causare la rottura o la deformazione.

AVVISO: Quando si intende raccogliere rifiuti di grandi dimensioni, ad esempio trucioli di piallatura, polveri di calcestruzzo o rifiuti simili che non siano di piccole dimensioni, utilizzare il tubo flessibile con diametro interno di 38 mm (accessorio opzionale). L'uso di un tubo flessibile con diametro interno di 28 mm (accessorio opzionale) potrebbe causare l'ostruzione e il danneggiamento del tubo flessibile.

Inserire il tubo flessibile nell'apertura di montaggio del serbatoio, quindi ruotarlo in senso orario fino a quando si blocca.

► **Fig.23**

MANUTENZIONE

⚠ATTENZIONE: Prima di tentare di eseguire interventi di ispezione o manutenzione, accertarsi sempre che l'aspiratore sia spento, scollegato dalla presa elettrica, e che la cartuccia della batteria sia stata rimossa.

AVVISO: Non utilizzare mai benzina, benzene, solventi, alcol o altre sostanze simili. In caso contrario, si potrebbero causare scolorimenti, deformazioni o crepe.

Per preservare la SICUREZZA e l'AFFIDABILITÀ del prodotto, le riparazioni e qualsiasi altro intervento di manutenzione e di regolazione devono essere eseguiti da un centro di assistenza autorizzato Makita, utilizzando sempre ricambi Makita.

Conservazione del cavo dell'alimentazione

È possibile avvolgere il cavo dell'alimentazione intorno alla cassetta degli attrezzi.

► **Fig.24**

Conservazione degli accessori

È possibile posizionare i tubi nell'apposito supporto quando non si intende utilizzare l'aspiratore per un breve periodo di tempo.

► **Fig.25**

► **Fig.26**

È possibile riporre il tubo flessibile avvolto intorno all'utensile, collegando tra di loro le estremità.

► **Fig.27**

Pulizia del filtro in tessuto

Solo per il modello dotato di filtro in tessuto

Un filtro in tessuto ostruito causa prestazioni di aspirazione scadenti.

Pulire il filtro in tessuto di tanto in tanto.

Per rimuovere polveri o particelle attaccate al filtro in tessuto, scuotere rapidamente svariate volte la parte inferiore del telaio.

► **Fig.28:** 1. Filtro in tessuto

NOTA: Alcuni articoli nell'elenco potrebbero essere inclusi nell'imballaggio dell'utensile come accessori standard. Tali articoli potrebbero variare da nazione a nazione.

Pulizia del filtro antipolveri (HEPA) e del prefiltra

Solo per il modello dotato di filtro antipolveri

L'ostruzione del filtro antipolveri, del prefiltra e del filtro in spugna causano prestazioni di aspirazione scadenti.

Pulire i filtri e i filtri in spugna di tanto in tanto.

Per rimuovere polveri o particelle attaccate ai filtri, scuotere rapidamente svariate volte la parte inferiore del telaio.

► **Fig.29**

Ogni tanto, lavare il filtro antipolveri in acqua, risciacquarlo e farlo asciugare completamente all'ombra prima dell'uso. Non lavare mai i filtri in lavatrice.

NOTA: Non strofinare né graffiare il filtro antipolveri, il prefiltra o il filtro in spugna con oggetti duri, quali spazzole o spatole.

NOTA: I filtri si usurano con il passare del tempo. Si consiglia di avere a disposizione dei ricambi per i filtri.

ACCESSORI OPZIONALI

⚠ATTENZIONE: Questi accessori o componenti aggiuntivi sono consigliati per l'uso con l'utensile Makita specificato nel presente manuale.

L'impiego di altri accessori o componenti aggiuntivi può costituire un rischio di lesioni alle persone.

Utilizzare gli accessori o i componenti aggiuntivi solo per il loro scopo prefissato.

Per ottenere ulteriori dettagli relativamente a questi accessori, rivolgersi a un centro di assistenza Makita.

- Tubo flessibile
- Risvolto anteriore (22, 24, 38)
- Tubo dritto
- Bocchetta per angoli
- Spazzola rotonda
- Filtro antipolveri, HEPA (per polveri asciutte)
- Filtro in spugna
- Prefiltra
- Gruppo bocchetta
- Tubo piegato
- Sacchetto in polietilene
- Pacchetto di carta
- Kit di supporto
- Filtro dell'acqua (opzione per il modello dotato di filtro in tessuto)
- Batteria e caricabatterie originali Makita

WAARSCHUWING

Dit apparaat is niet bedoeld voor gebruik door personen (waaronder kinderen) met een verminderd lichamelijk, zintuiglijk of geestelijk vermogen, of een gebrek aan kennis en ervaring.

Kinderen dienen onder toezicht te staan om ervoor te zorgen dat zij niet met het product spelen.

TECHNISCHE GEGEVENS

Model:		DVC150L	DVC151L
Standaard type filter		Doekfilter (voor droog en nat stof)	Poederfilter (voor droog stof)
Volumeverplaatsing (lucht)	Gebruik op gelijkstroom (met BL1850B, slang ø38 mm x 2,5 m)	2,1 m ³ /min	
	Gebruik op wisselstroom (met slang ø38 mm x 2,5 m)	3,6 m ³ /min	
Vacuüm	Gebruik op gelijkstroom (met BL1850B, slang ø38 mm x 2,5 m)	9,0 kPa	
	Gebruik op wisselstroom (met slang ø38 mm x 2,5 m)	24,0 kPa	
Opneembare inhoud	Stof	15 L	
	Water	12 L	-
Afmetingen (l x b x h)		366 mm x 334 mm x 421 mm	
Nominale spanning		36 V gelijkspanning	
Netto gewicht		8,9 - 9,6 kg	9,6 - 10,3 kg
Veiligheidsklasse		□/II	

- In verband met ononderbroken research en ontwikkeling, behouden wij ons het recht voor de bovenstaande technische gegevens zonder voorafgaande kennisgeving te wijzigen.
- De technische gegevens van de accu kunnen van land tot land verschillen.
- Het gewicht is exclusief bijgeleverde accessoires, maar inclusief de accu('s). Het laagste en hoogste gecombineerde gewicht van het apparaat en de accu('s) wordt vermeld in de tabel.
- Voor nat stof zijn de vlotter en het waterfilter of doekfilter vereist.

Toepasselijke accu's en laders

Accu	BL1815N / BL1820 / BL1820B / BL1830 / BL1830B / BL1840 / BL1840B / BL1850 / BL1850B / BL1860B
Lader	DC18RC / DC18RD / DC18RE / DC18SD / DC18SE / DC18SF

- Sommige van de hierboven vermelde accu's en laders zijn mogelijk niet leverbaar afhankelijk van waar u woont.

⚠ WAARSCHUWING: Gebruik uitsluitend de accu's en laders die hierboven worden genoemd. Gebruik van enige andere accu of lader kan leiden tot letsel en/of brand.

Symbolen

Hieronder staan de symbolen die voor het gereedschap worden gebruikt. Zorg ervoor dat u weet wat ze betekenen alvorens het gereedschap te gebruiken.



Lees de gebruiksaanwijzing.



Wees vooral voorzichtig en let goed op.



Waarschuwing: De stofzuiger kan schadelijk stof bevatten.



Ga nooit op de stofzuiger staan.



Stofklasse L (licht). De stofzuigers zijn in staat om stofklasse L op te zuigen. Houd u aan de nationale regelgeving met betrekking tot stof en veiligheid en gezondheid op de werkplek.



DUBBEL GEÏSOLEERD



Alleen voor EU-landen
Geef elektrisch gereedschap en accu's niet met het huisvuil mee! Volgens de Europese richtlijn inzake oude elektrische en elektronische apparaten, en inzake batterijen en accu's en oude batterijen en accu's, en de toepassing daarvan binnen de nationale wetgeving, dienen elektrisch gereedschap, accu('s) en batterijen die het einde van hun levensduur hebben bereikt, gescheiden te worden ingezameld en te worden afgevoerd naar een recyclebedrijf dat voldoet aan de geldende milieueisen.

Gebruiksdoelinden

Het gereedschap is geschikt voor commercieel gebruik, bijvoorbeeld in hotels, scholen, ziekenhuizen, fabrieken, winkels, kantoren en verhuurbedrijven.

DVC150L

Het gereedschap is bedoeld om zowel droog als nat stof te verzamelen.

DVC151L

Het gereedschap is uitsluitend bedoeld om droog stof te verzamelen.

Voeding

Het gereedschap mag alleen worden aangesloten op een voeding van dezelfde spanning als aangegeven op het typeplaatje, en kan alleen worden gebruikt op enkelfase-wisselstroom. Het gereedschap is dubbel-geïsoleerd en kan derhalve ook op een niet-geaard stopcontact worden aangesloten.

Geluidsniveau

De typische, A-gewogen geluidsniveaus zijn gemeten volgens EN60335-2-69:

Model DVC150L

Geluidsdruk niveau (L_{pA}): 75 dB (A)

Onzekerheid (K): 2,5 dB (A)

Model DVC151L

Geluidsdruk niveau (L_{pA}): 75 dB (A)

Onzekerheid (K): 2,5 dB (A)

Het geluidsniveau kan tijdens gebruik hoger worden dan 80 dB (A).

OPMERKING: De opgegeven geluidsemisiewaarde(n) is/zijn gemeten volgens een standaardtestmethode en kan/kunnen worden gebruikt om dit gereedschap te vergelijken met andere gereedschappen.

OPMERKING: De opgegeven geluidsemisiewaarde(n) kan/kunnen ook worden gebruikt voor een beoordeling vooraf van de blootstelling.

⚠WAARSCHUWING: Draag gehoorbescherming.

⚠WAARSCHUWING: De geluidsemisie tijdens het gebruik van het elektrisch gereedschap in de praktijk kan verschillen van de opgegeven waarde(n) afhankelijk van de manier waarop het gereedschap wordt gebruikt, met name van het soort werkstuk waarmee wordt gewerkt.

⚠WAARSCHUWING: Zorg ervoor dat veiligheidsmaatregelen worden getroffen ter bescherming van de gebruiker die zijn gebaseerd op een schatting van de blootstelling onder praktijkomstandigheden (rekening houdend met alle fasen van de bedrijfscyclus, zoals de tijdsduur gedurende welke het gereedschap is uitgeschakeld en stationair draait, naast de ingeschakelde tijdsduur).

Trilling

De totale trillingswaarde (triaxiale vectorsom) zoals vastgesteld volgens EN60335-2-69:

Trillingsemisie ($a_{h,M}$): 2,5 m/s² of lager

Onzekerheid (K): 1,5 m/s²

OPMERKING: De totale trillingswaarde(n) is/zijn gemeten volgens een standaardtestmethode en kan/kunnen worden gebruikt om dit gereedschap te vergelijken met andere gereedschappen.

OPMERKING: De opgegeven totale trillingswaarde(n) kan/kunnen ook worden gebruikt voor een beoordeling vooraf van de blootstelling.

⚠WAARSCHUWING: De trillingsemisie tijdens het gebruik van het elektrisch gereedschap in de praktijk kan verschillen van de opgegeven waarde(n) afhankelijk van de manier waarop het gereedschap wordt gebruikt, met name van het soort werkstuk waarmee wordt gewerkt.

⚠WAARSCHUWING: Zorg ervoor dat veiligheidsmaatregelen worden getroffen ter bescherming van de gebruiker die zijn gebaseerd op een schatting van de blootstelling onder praktijkomstandigheden (rekening houdend met alle fasen van de bedrijfscyclus, zoals de tijdsduur gedurende welke het gereedschap is uitgeschakeld en stationair draait, naast de ingeschakelde tijdsduur).

EG-verklaring van conformiteit

Alleen voor Europese landen

De EG-verklaring van conformiteit is bijgevoegd als Bijlage A bij deze gebruiksaanwijzing.

VEILIGHEIDSWAAR- SCHUWINGEN

Veiligheidswaarschuwingen voor een stroom- en accustofzuiger

**⚠ WAARSCHUWING: BELANGRIJK! LEES
VÓÓR GEBRUIK** alle veiligheidswaarschuwingen
en alle instructies **ZORGVULDIG DOOR**. Het niet vol-
gen van de waarschuwingen en instructies kan leiden
tot elektrische schokken, brand en/of ernstig letsel.

1. **Bedenk vóór gebruik** dat deze stofzuiger moet worden gebruikt door mensen die goed zijn geïnstrueerd in het gebruik van deze stofzuiger.
2. Als er schuim of vloeistof uit komt, schakelt u hem onmiddellijk uit.
3. Maak de waterpeilbegrenzer regelmatig schoon en inspecteer hem op tekenen van beschadiging.
4. Gebruik de stofzuiger niet zonder het filter. Vervang een beschadigd filter onmiddellijk.
5. **GEBRUIK VAN EEN VERLENGSNOER**. Als u een verlengsnoer moet gebruiken vanwege de grote afstand tot een stopcontact, gebruikt u een verlengsnoer dat voldoende dik maar niet te lang is omdat anders de prestaties van de stofzuiger nadelig beïnvloed kunnen worden. Bij gebruik buitenshuis, gebruikt u een verlengsnoer dat geschikt is voor gebruik buitenshuis.
6. **WAARSCHUWING OVER SPANNING**: Voordat u de stofzuiger aansluit op een voedingsbron (stopcontact, stekkerdoos, enz.), verzekert u zich ervan dat de voedingsspanning hetzelfde is als de spanning vermeld op het typeplaatje van de stofzuiger. Een voedingsbron met een hogere spanning dan is opgegeven voor de stofzuiger, kan **ERNSTIG LETSEL** bij de gebruiker veroorzaken, naast schade aan de stofzuiger. Bij twijfel mag u **DE STOFZUIGER NIET AANSLUITEN**. Het gebruik van een voedingsbron met een lagere spanning dan is vermeld op het typeplaatje, is schadelijk voor de motor.
7. **VOORKOM ONBEDOELD STARTEN**. Verzekert u ervan dat de schakelaar in de uit-stand staat voordat u de stekker in het stopcontact steekt.
8. Probeer niet brandbare materialen, vuurwerk, brandende sigaretten, hete as, hete metaaldeeltjes, scherpe materialen, zoals scheermesjes, naalden, gebroken glas en dergelijke, op te zuigen.
9. **GEBRUIK DE STOFZUIGER NOOIT IN DE BUURT VAN BENZINE, GAS, VERF, LIJM OF ANDERE UITERST EXPLOSIEVE STOFFEN**. De schakelaar produceert vonken bij het in- en uitschakelen. En dat doet ook de collector in de motor tijdens gebruik. Hierdoor kan een gevaarlijke explosie worden veroorzaakt.
10. Zuig nooit giftige, kankerverwekkende, ontbrandbare of andere gevaarlijke stoffen op, zoals asbest, arsenicum, barium, beryllium, lood, pesticiden en andere gezondheidsbedreigende materialen.
11. Gebruik de stofzuiger nooit buitenshuis in de regen.
12. Gebruik hem niet dichtbij een warmtebron (fornuis, enz.).
13. **BEVEILIGING TEGEN ELEKTRISCHE SCHOKKEN**. Voorkom lichamelijk contact met geaarde oppervlakken. Bijvoorbeeld: pijpen, radiators, kooktoestellen, buitenkant koelkasten.
14. **Blokkeer de ventilatieopeningen niet**. Deze ventilatieopeningen zorgen voor de koeling van de motor. Blokkering ervan moet altijd worden voorkomen omdat anders de motor zal doorbranden als gevolg van gebrek aan ventilatie.
15. **Zorg altijd voor een stevige stand en goede lichaamsbalans**.
16. **GEBRUIK HET SNOER NIET VERKEERD**. Draag de stofzuiger nooit aan het netsnoer en geef nooit een ruk aan het netsnoer om zo de stekker uit het stopcontact te trekken. Houd het netsnoer uit de buurt van hitte, olie en scherpe randen. Inspecteer het netsnoer van de stofzuiger regelmatig en indien het beschadigd is, laat u het repareren door een erkende elektrotechnisch reparateur. Inspecteer verlengsnoeren regelmatig en vervang ze indien beschadigd.
17. **U mag de slang niet knikken, eraan trekken of erop gaan staan**.
18. **Schakel de stofzuiger onmiddellijk uit** als u tijdens gebruik slechte prestaties of iets abnormaals opmerkt.
19. **KOPPEL DE STOFZUIGER LOS**, wanneer het gereedschap niet in gebruik is, u er onderhoud aan gaat plegen, en u accessoires verwisselt.
20. Reinig en onderhoud de stofzuiger onmiddellijk na elk gebruik om hem in optimale conditie te houden.
21. **ONDERHOUD DE STOFZUIGER GOED**. Houd de stofzuiger schoon om beter en veiliger te kunnen werken. Houdt u aan de instructies voor het verwisselen van de accessoires. Houd de handgrepen droog, schoon en vrij van olie en vetten.
22. **CONTROLEER BESCHADIGDE ONDERDELEN**. Zonder de stofzuiger verder te gebruiken, moet een beschermkap of ander onderdeel dat beschadigd is eerst goed worden onderzocht om te beoordelen of het goed werkt en zijn beoogde functie kan uitvoeren. Controleer of bewegende delen goed uitgelijnd zijn en niet vastgelopen zijn, of onderdelen niet kapot zijn en stevig gemonteerd zijn, en enige andere situatie die van invloed kan zijn op de werking ervan. Een beschermkap of ander onderdeel dat beschadigd is, dient vakkundig te worden gerepareerd of vervangen door een erkend servicecentrum, behalve indien anders aangegeven elders in deze gebruiksaanwijzing. Laat een kapotte schakelaar vervangen door een erkend servicecentrum. Gebruik de stofzuiger niet als hij niet kan worden in- en uitgeschakeld met de schakelaar.
23. **VERVANGINGSONDERDELEN**. Gebruik tijdens reparaties uitsluitend identieke vervangingsonderdelen.
24. **BERG EEN STOFZUIGER DIE NIET WORDT GEBRUIKT VEILIG OP**. Wanneer de stofzuiger niet wordt gebruikt, dient hij binnenshuis te worden opgeborgen.
25. **Natte filters en het binnenste deel van het vloeistofreservoir moeten worden gedroogd** voordat ze worden opgeborgen.

26. **Behandel uw stofzuiger voorzichtig. Een ruwe behandeling kan leiden tot een defect van zelfs de meest stevig gebouwde stofzuiger.**
27. **Probeer niet de buitenkant of binnenkant van de stofzuiger schoon te maken met wasbenzine, thinner of schoonmaakmiddelen. Hierdoor kunnen barsten en verkleuringen ontstaan.**
28. **Gebruik de stofzuiger niet in een afgesloten ruimte waarin brandbare, explosieve of giftige dampen worden afgegeven door verf op olie-basis, thinner, benzine, bepaalde motenbestrijdingsmiddelen, enz., of op plaatsen waar brandbaar stof aanwezig is.**
29. **Laat het netsnoer van de stofzuiger niet op de vloer slingeren nadat u klaar bent met stofzuigen. Het kan struikelgevaar opleveren of kan de stofzuiger beschadigen.**
30. **Bedien dit of enig ander gereedschap niet wanneer u onder invloed bent van drugs of alcohol.**
31. **Als basisveiligheidsmaatregel gebruikt u een beschermende bril of veiligheidsbril met zijstukken.**
32. **Gebruik een stofmasker onder stoffige werkomstandigheden.**
33. **Dit apparaat is niet bedoeld voor gebruik door personen, waaronder kinderen, met een verminderd lichamenlijk, zintuiglijk of geestelijk vermogen, of gebrek aan kennis en ervaring.**
34. **Jonge kinderen moeten onder toezicht staan om ervoor te zorgen dat ze niet met de stofzuiger spelen.**
35. **Hanteer het netsnoer en de stofzuiger nooit met natte handen.**
36. **Wees bijzonder voorzichtig tijdens stofzuigen op een trap.**
37. **Gebruik de stofzuiger niet als een kruk of werkbank. Anders kan het apparaat vallen, waardoor persoonlijk letsel kan worden veroorzaakt.**

Gebruik en verzorging van gereedschap dat op een accu werkt

1. **Laad alleen op met de acculader aanbevolen door de fabrikant.** Een acculader die geschikt is voor een bepaald type accu, kan brandgevaar opleveren indien gebruikt met een ander type accu.
2. **Gebruik elektrisch gereedschap uitsluitend met de daarvoor bestemde accu.** Gebruik van andere accu's kan gevaar voor letsel of brandgevaar opleveren.
3. **Als de accu niet wordt gebruikt, houdt u deze uit de buurt van metalen voorwerpen, zoals paperclips, muntgeld, sleutels, spijkers, schroeven en andere kleine metalen voorwerpen die een kortsluiting kunnen veroorzaken tussen de accupolen.** Kortsluiting tussen de accupolen kan leiden tot brandwonden of brand.
4. **Onder zware gebruiksomstandigheden kan vloeistof uit de accu komen. Voorkom aanraking! Als u er per ongeluk mee in aanraking komt, spoelt u het er met water af. Als de vloeistof in uw ogen komt, raadpleegt u tevens een arts.** Vloeistof uit de accu kan irritatie en brandwonden veroorzaken.

5. **Gebruik geen accu of gereedschap dat beschadigd of gewijzigd is.** Beschadigde of gewijzigde accu's kunnen onvoorspelbaar gedrag vertonen dat kan leiden tot brand, explosie of gevaar van letsel.
6. **Stel een accu of gereedschap niet bloot aan vuur of buitensporige temperaturen.** Blootstelling aan vuur of temperaturen hoger dan 130 °C kunnen een explosie veroorzaken.
7. **Volg alle oplaad instructies en laad de accu of het gereedschap niet op buiten het temperatuurbereik opgegeven in de instructies.** Verkeerd opladen of bij een temperatuur buiten het opgegeven bereik kan de accu beschadigen en de kans op brand vergroten.

BEWAAR DEZE VOORSCHRIFTEN.

⚠WAARSCHUWING: Laat u NIET misleiden door een vals gevoel van comfort en bekendheid met het gereedschap (na veelvuldig gebruik) en neem alle veiligheidsvoorschriften van het betreffende gereedschap altijd strikt in acht. **VERKEERD GEBRUIK** of het niet naleven van de veiligheidsvoorschriften in deze gebruiksaanwijzing kan leiden tot ernstig letsel.

Belangrijke veiligheidsinstructies voor een accu

1. **Lees alle voorschriften en waarschuwingen op (1) de acculader, (2) de accu, en (3) het product waarvoor de accu wordt gebruikt, alvorens de accu in gebruik te nemen.**
2. **Neem de accu niet uit elkaar.**
3. **Als de gebruikstijd van een opgeladen accu aanzienlijk korter is geworden, moet u het gebruik ervan onmiddellijk stopzetten.** Voortgezet gebruik kan oververhitting, brandwonden en zelfs een ontploffing veroorzaken.
4. **Als elektrolyt in uw ogen is terechtgekomen, spoelt u uw ogen met schoon water en roept u onmiddellijk de hulp van een dokter in. Elektrolyt in de ogen kan blindheid veroorzaken.**
5. **Voorkom kortsluiting van de accu:**
 - (1) **Raak de accuklemmen nooit aan met een geleidend materiaal.**
 - (2) **Bewaar de accu niet in een bak waarin andere metalen voorwerpen zoals spijkers, munten e.d. worden bewaard.**
 - (3) **Stel de accu niet bloot aan water of regen.** Kortsluiting van de accu kan oorzaak zijn van een grote stroomafgifte, oververhitting, brandwonden, en zelfs defecten.
6. **Bewaar het gereedschap en de accu niet op plaatsen waar de temperatuur kan oplopen tot 50°C of hoger.**
7. **Werp de accu nooit in het vuur, ook niet wanneer hij zwaar beschadigd of volledig versleten is. De accu kan ontploffen in het vuur.**
8. **Wees voorzichtig dat u de accu niet laat vallen en hem niet blootstelt aan schokken of stoten.**
9. **Gebruik nooit een beschadigde accu.**

10. **De bijgeleverde lithium-ionbatterijen zijn onderhevig aan de vereisten in de wetgeving omtrent gevaarlijke stoffen.**
Voor commercieel transport en dergelijke door derden en transporteurs moeten speciale vereisten ten aanzien van verpakking en etikettering worden nageleefd.
Als voorbereiding van het artikel dat wordt getransporteerd is het noodzakelijk een expert op het gebied van gevaarlijke stoffen te raadplegen. Houd u tevens aan mogelijk strengere nationale regelgeving. Blootliggende contactpunten moeten worden afgedekt met tape en de accu moet zodanig worden verpakt dat deze niet kan bewegen in de verpakking.
11. **Volg bij het weggooiën van de accu de plaatselijke voorschriften.**
12. **Gebruik de accu's uitsluitend met de gereedschappen die door Makita zijn aanbevolen.** Als de accu's worden aangebracht in niet-compatibele gereedschappen, kan dat leiden tot brand, buitensporige warmteontwikkeling, een explosie of lekkage van elektrolyt.

BEWAAR DEZE INSTRUCTIES.

⚠ LET OP: Gebruik uitsluitend originele Makita accu's. Het gebruik van niet-originele accu's, of accu's die zijn gewijzigd, kan ertoe leiden dat de accu ontploft en brand, persoonlijk letsel en schade veroorzaakt. Ook vervalt daarmee de garantie van Makita op het gereedschap en de lader van Makita.

Tips voor een maximale levensduur van de accu

1. Laad de accu op voordat hij volledig ontladen is. Stop het gebruik van het gereedschap en laad de accu op telkens wanneer u vaststelt dat het vermogen van het gereedschap is afgenomen.
2. Laad een volledig opgeladen accu nooit opnieuw op. Te lang opladen verkort de levensduur van de accu.
3. Laad de accu op bij een omgevingstemperatuur tussen 10°C en 40°C. Laat een warme accu afkoelen alvorens hem op te laden.
4. Laad de accu op als u deze gedurende een lange tijd (meer dan zes maanden) niet gaat gebruiken.

BESCHRIJVING VAN DE ONDERDELEN

Model DVC150L

(Model met doekfilter (voor droog en nat stof))
 ► **Fig.1:** 1. Tankdeksel 2. Vlotter 3. Vlotterkooi
 4. Doekfilter 5. Tank

Model DVC151L

(Model met poederfilter (voor droog stof))
 ► **Fig.2:** 1. Tankdeksel 2. Poederfilter (HEPA)
 3. Demper 4. Voorfilter 5. Tank

BESCHRIJVING VAN DE FUNCTIES

Gebruik met wisselstroomvoeding:

⚠ WAARSCHUWING: Voordat u de stekker van de stofzuiger in het stopcontact steekt, verzekert u zich ervan dat de stofzuiger is uitgeschakeld. Als de stekker in het stopcontact wordt gestoken terwijl de schakelaar in de aan-stand staat, kan de stofzuiger onverwacht starten en leiden tot ernstig persoonlijk letsel.

Sluit de stekker aan op een voedingsbron.

► **Fig.3:** 1. Stekker (de vorm en netsnoerlengte kunnen van land tot land verschillen)

Het bedrijfslampje gaat branden wanneer de standby-schakelaar in de stand "I" wordt gezet.

► **Fig.4:** 1. Bedrijfslampje

OPMERKING: Zelfs bij gebruik in de gelijkstroommodus, schakelt de stofzuiger automatisch om naar de wisselstroommodus wanneer de stekker in een stopcontact wordt gestoken.

OPMERKING: Als de stekker van de stofzuiger tijdens gebruik uit het stopcontact wordt getrokken terwijl een accu is geplaatst, wordt de stofzuiger in de standby-stand gezet.

Gebruik met accu's:

⚠ LET OP: Zorg altijd dat de stofzuiger is uitgeschakeld, de stekker uit het stopcontact is getrokken en de accu's zijn verwijderd alvorens de werking van de stofzuiger af te stellen of te controleren.

De accu aanbrengen en verwijderen

⚠ LET OP: Schakel het gereedschap altijd uit voordat u de accu aanbrengt of verwijdt.

⚠ LET OP: Houd de stofzuiger en de accu stevig vast tijdens het aanbrengen of verwijderen van de accu. Als u de stofzuiger en de accu niet stevig vasthoudt, kunnen deze uit uw handen glijpen en kunnen de stofzuiger of de accu worden beschadigd of kan persoonlijk letsel worden veroorzaakt.

⚠ LET OP: Wees voorzichtig bij het sluiten of openen van het accudeksel dat uw vingers niet bekneld raken. Als u dit niet doet, kan persoonlijk letsel ontstaan.

Om de accu te plaatsen, ontgrendelt u eerst de vergrendeling en opent u daarna het accudeksel. Plaats daarna de accu.

► **Fig.5:** 1. Vergrendeling 2. Accudeksel

Lijn de lip op de accu uit met de groef in de behuizing en duw de accu op zijn plaats. Steek hem er helemaal in tot hij op zijn plaats wordt vergrendeld met een klikgeluid. Vergrendel daarna het accudeksel.

► **Fig.6:** 1. Accu

Om de accu te verwijderen, verschuift u de knop aan de voorkant van de accu en schuift u tegelijkertijd de accu uit het apparaat.

⚠ LET OP: Breng de accu altijd helemaal aan totdat het rode deel niet meer zichtbaar is. Als u dit niet doet, kan deze per ongeluk uit de stofzuiger vallen en letsel veroorzaken bij u of anderen in uw omgeving.

⚠ LET OP: Breng de accu niet met kracht aan. Als de accu niet gemakkelijk in het gereedschap kan worden geschoven, wordt deze niet goed aangebracht.

OPMERKING: De stofzuiger werkt niet met slechts één accu.

OPMERKING: Maak de stekker van de stofzuiger los van het verlengsnoer wanneer u de stofzuiger met de accu's gebruikt.

De resterende acculading controleren

Alleen voor accu's met indicatorlampjes

► Fig.7: 1. Indicatorlampjes 2. Testknop

Druk op de testknop op de accu om de resterende acculading te zien. De indicatorlampjes branden gedurende enkele seconden.

Indicatorlampjes			Resterende acculading
Brandt	Uit	Knippert	
■	□	▣	75% tot 100%
■ ■ ■ ■			50% tot 75%
■ ■	□ □		25% tot 50%
■	□ □ □		0% tot 25%
▣	□ □ □		Laad de accu op.
■ ■ □ □	↑ ↓	□ □ ■ ■	Er kan een storing zijn opgetreden in de accu.

OPMERKING: Afhankelijk van de gebruiksomstandigheden en de omgevingstemperatuur, is het mogelijk dat de aangegeven acculading verschilt van de werkelijke acculading.

De resterende acculading controleren

► Fig.8: 1. Accu-indicatorlampje 2. Testknop

► Fig.9

Druk op de testknop om de resterende acculadingen te zien. De accu-indicatorlampjes geven per accu de resterende acculading aan.

Toestand van accu-indicator			Resterende acculading
Aan	Uit	Knippert	
		▣	50% tot 100%
		▣	20% tot 50%
		▣	0% tot 20%
		▣	Laad de accu op.

Gereedschap-/accubeveiligingssysteem

Het gereedschap is voorzien van een gereedschap-/accubeveiligingssysteem. Dit systeem schakelt automatisch de voeding naar de motor uit om de levensduur van het gereedschap en de accu te verlengen. Het gereedschap kan tijdens het gebruik automatisch stoppen als het gereedschap of de accu aan één van de volgende omstandigheden wordt blootgesteld:

Overbelastingsbeveiliging

Wanneer het gereedschap wordt gebruikt op een manier die een abnormaal hoge stroomsterkte vergt, stopt het gereedschap automatisch zonder dat een indicatorlampje gaat branden. Schakel in dat geval het gereedschap uit en stop het gebruik dat ertoe leidde dat het gereedschap overbelast raakte. Schakel daarna het gereedschap weer in om verder te gaan.

Oververhittingsbeveiliging

Aan	Knippert
	▣

Wanneer het gereedschap oververhit is, stopt het gereedschap automatisch en knippert het accu-indicatorlampje gedurende ongeveer 60 seconden. In die situatie laat u het gereedschap eerst afkoelen voordat u het gereedschap opnieuw inschakelt.

Beveiliging tegen te ver ontladen

Als de acculading laag is, stopt het gereedschap automatisch. Als het gereedschap niet werkt, ook niet wanneer de schakelaars worden bediend, verwijdert u de accu's vanaf het gereedschap en laadt u de accu's op.



De trekkerschakelaar gebruiken

- **Fig.10:** 1. Standby-schakelaar 2. Aan-uitknop
3. Zuigkracht-instelknop

De stofzuiger inschakelen:

1. Zet de standby-schakelaar in de stand "I". De stofzuiger staat in de standby-stand.
 2. Druk op de aan-uitknop.
- Om de stofzuiger weer in de standby-stand te zetten, drukt u nogmaals op de aan-uitknop.
Om de stofzuiger uit te schakelen, zet u de standby-schakelaar in de stand "O".

De zuigkracht kan worden ingesteld overeenkomstig de behoefte van de werkzaamheden.

De zuigkracht kan worden verhoogd door de zuigkracht-instelknop te draaien van het symbool  naar het symbool .

KENNISGEVING: Zet de standby-schakelaar altijd in de stand "O" wanneer u de stofzuiger gedurende een lange tijd niet gaat gebruiken. De stofzuiger verbruikt in de standby-stand ook stroom.

Automatische zuigonderbreking tijdens nat zuigen

Alleen voor het model met een doekfilter

WAARSCHUWING: Gebruik niet langdurig terwijl de vlotter in werking is getreden. Als u de stofzuiger langdurig gebruikt terwijl de vlotter in werking is getreden, kan hij oververhit raken, waardoor de stofzuiger kan vervormen.

WAARSCHUWING: Zuig geen schuim of zepige vloeistoffen op. Door schuim of zepige vloeistoffen op te zuigen, kan schuim uit de luchtuitstroomopeningen komen voordat de vlotter in werking treedt. Aanhoudend gebruik in deze situatie kan leiden tot een elektrische schok en een defect van de stofzuiger.

Automatische zuigonderbreking werkt alleen bij gebruik met de vlotter en vlotterkooi.

De stofzuiger is uitgerust met een vlottermechanisme dat voorkomt dat water kan binnendringen in de motor wanneer meer dan een bepaalde hoeveelheid water wordt opgezogen. Wanneer de tank vol is en de stofzuiger geen water meer opzuigt, schakelt u de stofzuiger uit en maakt u de tank leeg.

Het wieltje vergrendelen en ontgrendelen

- **Fig.11:** 1. Wieltje 2. Remhendel 3. Stand LOS
4. Stand REM

Het wieltje op de rem zetten is handig wanneer de stofzuiger wordt opgeborgen, het werk tussentijds wordt onderbroken en de stofzuiger stil moet blijven staan. Om de rem te gebruiken, bedient u deze met de hand. Om het wieltje op de rem te zetten, zet u de remhendel omlaag zodat het wieltje niet meer kan draaien. Om de rem van het wieltje af te halen, zet u de remhendel omhoog.

OPMERKING: Voordat u de stofzuiger verplaatst, controleert u of het wieltje niet op de rem staat. Als u de stofzuiger verplaatst terwijl het wieltje op de rem staat, kan het wieltje worden beschadigd.

Draaghandgreep

Wanneer u de stofzuiger draagt, draagt u deze aan de handgreep bovenop. Wanneer de handgreep niet in gebruik is, klappt u deze omlaag.

- **Fig.12**

MONTAGE

LET OP: Zorg altijd dat de stofzuiger is uitgeschakeld, de stekker uit het stopcontact is getrokken en de accu's zijn verwijderd alvorens enige werkzaamheden aan de stofzuiger uit te voeren.

LET OP: Draag altijd een stofmasker tijdens montage en onderhoud.

Het poederfilter (HEPA) en voorfilter aanbrengen (voor droog stof)

Optioneel accessoire voor het model met een doekfilter

LET OP: Zuig nooit water of een andere vloeistof of nat stof op wanneer een poederfilter wordt gebruikt. Als u dergelijke stoffen opzuigt, kan het poederfilter stuk gaan.

Gebruik van het poederfilter:

1. Verwijder de vlotterkooi en vlotter door de bouten eruit te draaien.

- **Fig.13:** 1. Vlotter 2. Vlotterkooi

2. Plaats het voorfilter in de tank door de montagepositiemarkeringen uit te lijnen.
3. Breng de demper aan op het poederfilter en plaats ze vervolgens in het voorfilter door de montagepositiemarkeringen uit te lijnen.
4. Breng ten slotte het tankdeksel aan en vergrendel het.

- **Fig.14:** 1. Tankdeksel 2. Poederfilter (HEPA)
3. Demper 4. Voorfilter 5. Tank
6. Montagepositiemarkeringen

KENNISGEVING: Alvorens het poederfilter te gebruiken, verzekert u zich ervan dat het voorfilter en de demper tezamen worden gebruikt. Het is niet toegestaan om het poederfilter alleen te gebruiken.

Het waterfilter aanbrengen

Optioneel accessoire voor het model met een doekfilter

LET OP: Zuig nooit water of nat stof op zonder dat de vlotter en het doekfilter of het waterfilter is aangebracht.

LET OP: Om nat stof op te zuigen, zorgt u ervoor dat de vlotterkooi en de vlotter zijn aangebracht in de stofzuiger.

LET OP: Bij het aanbrengen van het waterfilter in de tank, zorgt u ervoor dat dit strak staat bij de opening van de tank zodat de haak van het waterfilter stevig aangrijpt in de tankopening, en er geen ruimte zit tussen het waterfilter en de tank.

Om alleen water of nat stof op te zuigen, is het waterfilter beter geschikt dan het doekfilter.

Lijn bij het aanbrengen van het waterfilter zijn montagepositiemarkering uit met die op de tank.

- **Fig.15:** 1. Waterfilter 2. Tank
3. Montagepositiemarkeringen

OPMERKING: Wij adviseren u het waterfilter te gebruiken wanneer u herhaaldelijk grote hoeveelheden water opzuigt. Anders zal, in geval van een doekfilter, de zuigkracht worden verlaagd.

De papieren stofzak aanbrengen

Optioneel accessoire

⚠WAARSCHUWING: Bij gebruik van een papieren stofzak, gebruikt u daarnaast ook het doekfilter of voorfilter, welke vooraf is aangebracht in de stofzuiger. Als u het doekfilter/voorfilter niet tegelijkertijd ermee gebruikt, kan een ongebruikelijk geluid en warmte worden veroorzaakt, waardoor brand kan ontstaan.

⚠LET OP: (Voor het model met een doekfilter)

- **Zuig nooit water of een andere vloeistof of nat stof op wanneer een papieren stofzak wordt gebruikt.** Als u dergelijke stoffen opzuigt, kan de papieren stofzak stuk gaan.
- **Alvorens de papieren stofzak te gebruiken, controleert u of het poedfilter (optioneel accessoire), de demper (optioneel accessoire) en het voorfilter tegelijkertijd worden gebruikt.**

⚠LET OP: (Voor het model met een poedfilter)

- **Alvorens de papieren stofzak te gebruiken, controleert u of het poedfilter, de demper en het voorfilter tegelijkertijd worden gebruikt.**

1. Verwijder de rubber houder.

► **Fig.16:** 1. Rubber houder

2. Vouw de papieren stofzak uit.

3. Lijn de opening van de papieren stofzak uit met de stofzuigopening van de stofzuiger.

4. Plaats het karton van de papieren stofzak zo ver mogelijk over de houder tot voorbij de uitstekende rand.

► **Fig.17:** 1. Papieren stofzak 2. Houder

De polyethyleenzak aanbrengen

De stofzuiger kan ook worden gebruikt zonder een polyethyleenzak. Echter, met een polyethyleenzak is het gemakkelijker om de tank te legen zonder uw handen vies te maken.

Vouw de polyethyleenzak uit in de tank. Steek hem tussen de houderplaat en de tank en trek hem rond de slanginlaatopening.

► **Fig.18:** 1. Houderplaat 2. Polyethyleenzak

Vouw de zak over de bovenrand van de tank zodat de rand van het doekfilter/voorfilter goed op de tank past en de zak stevig vastklemt.

► **Fig.19:** 1. Doekfilter/voorfilter

OPMERKING: U kunt een polyethyleenzak uit de winkel gebruiken. Wij adviseren een zak met een dikte van 0,04 mm of meer te gebruiken.

OPMERKING: Bij een te grote hoeveelheid stof, zal de zak gemakkelijk scheuren, dus vervangt u de zak wanneer deze pas half vol zit.

De polyethyleenzak legen

⚠WAARSCHUWING: Zorg er altijd voor dat de stofzuiger is uitgeschakeld, de stekker uit het stopcontact is getrokken en de accu's zijn verwijderd voordat u de polyethyleenzak leegt. Als u dit niet doet, kunt u een elektrische schok krijgen en kan ernstig persoonlijk letsel ontstaan.

⚠LET OP: Oefen geen sterke schokken uit op de vlotterkooi en de tank. Als u een grote schok uitoefent, kunnen vervormingen van en schade aan de onderdelen ontstaan.

⚠LET OP: Leeg de tank minstens eenmaal per dag, al is dit afhankelijk van de opgezogen hoeveelheid stof in de tank. Anders zal de zuigkracht afnemen en kan de motor defect raken.

⚠LET OP: Pak de haak niet vast wanneer u de tank leegt. Als u de haak vastpakt, kan de haak afbreken.

Ontgrendel het tankdeksel en til hem op. Schud het stof van het doekfilter/voorfilter af en haal vervolgens de polyethyleenzak uit de tank.

► **Fig.20**

OPMERKING: Haal bij het legen de polyethyleenzak voorzichtig uit de tank zodat de polyethyleenzak niet achter het uitsteeksel binnenin de tank blijft haken en scheurt.

OPMERKING: Leeg de polyethyleenzak voordat deze vol is. Te veel stof in de tank kan ertoe leiden dat de polyethyleenzak scheurt.

De gereedschapsbak aanbrengen

1. Ontgrendel de vergrendeling van het accudeksel en open het accudeksel.

2. Plaats de rails van de gereedschapsbak in de groeven van de behuizing.

3. Sluit de accudeksel en vergrendel hem.

► **Fig.21**

De gereedschapsbak is handig om accu's, verlengkabels, buizen of aansluitmonden mee te nemen.

► **Fig.22**

De slang aansluiten

KENNISGEVING: U mag de slang niet forceren of erop gaan staan. Trek de stofzuiger nooit mee aan de slang. Door de slang te forceren, erop te staan of eraan te trekken, kan hij kapot gaan of vervormen.

KENNISGEVING: Wanneer groot afval wordt opgezogen, zoals houtkrullen, cementkorrels of soortgelijk afval anders dan zeer klein afval, gebruikt u de slang met een binnendiameter van 38 mm (optioneel accessoire). Als u de slang met een binnendiameter van 28 mm (optioneel accessoire) gebruikt, kan de slang verstopt en beschadigd raken.

Steek de slang in de inlaatopening van de tank en draai hem rechtsom tot hij wordt vergrendeld.

► Fig.23

ONDERHOUD

⚠ LET OP: Zorg altijd dat de stofzuiger is uitgeschakeld, de stekker uit het stopcontact is getrokken en de accu's zijn verwijderd alvorens te beginnen met inspectie of onderhoud.

KENNISGEVING: Gebruik nooit benzine, wasbenzine, thinner, alcohol en dergelijke. Hierdoor kunnen verkleuring, vervormingen en barsten worden veroorzaakt.

Om de VEILIGHEID en BETROUWBAARHEID van het gereedschap te handhaven, dienen alle reparaties, onderhoud of afstellingen te worden uitgevoerd bij een erkend Makita-servicecentrum of de Makita-fabriek, en altijd met gebruik van Makita-ervangingsonderdelen.

Het netsnoer opbergen

U kunt het netsnoer rond de gereedschapsbak wikkelen.

► Fig.24

Bewaren van accessoires

De buizen kunnen in de buishouder worden geplaatst wanneer de stofzuiger gedurende een korte tijd niet wordt gebruikt.

► Fig.25

► Fig.26

De slang kan rond het gereedschap worden gewikkeld door de uiteinden in elkaar te steken.

► Fig.27

Het doekfilter schoonmaken

Alleen voor het model met een doekfilter

Een verstopt doekfilter veroorzaakt slechte zuigprestaties. Maak het doekfilter regelmatig schoon.

Om stof en deeltjes die vastzitten aan het doekfilter te verwijderen, schudt u de onderrand van het frame meerdere keren snel heen en weer.

► Fig.28: 1. Doekfilter

Het poederfilter (HEPA) en voorfilter schoonmaken

Alleen voor het model met een poederfilter

Een verstopt poederfilter, voorfilter en demper veroorzaakt slechte zuigprestaties. Maak de filters en demper regelmatig schoon.

Om stof en deeltjes die vastzitten aan de filters te verwijderen, schudt u de onderrand van het frame meerdere keren snel heen en weer.

► Fig.29

Was af en toe het poederfilter in water, spoel het en laat het goed drogen in de schaduw voordat u het weer gebruikt. Was de filters nooit in een wasmachine.

OPMERKING: Schrob of kras het poederfilter, het voorfilter of de demper nooit met harde voorwerpen, zoals een borstel of een schuurpons.

OPMERKING: De filters verslijten na verloop van tijd. Wij adviseren u ze in reserve paraat te houden.

OPTIONELE ACCESSOIRES

⚠ LET OP: Deze accessoires of hulpstukken worden aanbevolen voor gebruik met het Makita gereedschap dat in deze gebruiksaanwijzing is beschreven. Bij gebruik van andere accessoires of hulpstukken bestaat het gevaar van persoonlijke letsel. Gebruik de accessoires of hulpstukken uitsluitend voor hun bestemde doel.

Wenst u meer bijzonderheden over deze accessoires, neem dan contact op met het plaatselijke Makita-servicecentrum.

- Slang
- Voorste aansluitstuk (22, 24, 38)
- Rechte buis
- Hoekmondstuk
- Ronde borstel
- Poederfilter, HEPA (voor droog stof)
- Demper
- Voorfilter
- Mondstuk compleet
- Bochtbuis
- Polyethyleenzak
- Papieren stofzak
- Houder set
- Waterfilter (alleen voor het model met een doekfilter)
- Originale Makita accu's en acculaders

OPMERKING: Sommige items op de lijst kunnen zijn inbegrepen in de doos van het gereedschap als standaard toebehoren. Deze kunnen van land tot land verschillen.

ADVERTENCIA

Esta máquina no ha sido prevista para ser utilizada por personas (incluidos niños) con capacidades físicas, sensoriales o mentales reducidas, o falta de experiencia y conocimiento.

Los niños pequeños deberán ser supervisados para asegurarse de que no juegan con el aparato.

ESPECIFICACIONES

Modelo:		DVC150L	DVC151L
Tipo de filtro estándar		Filtro de paño (para polvo seco y mojado)	Filtro de polvo (para polvo seco)
Volumen de flujo (aire)	Funcionamiento con CC (con BL1850B, manguera de ø38 mm x 2,5 m)	2,1 m ³ /min	
	Funcionamiento con CA (con manguera de ø38 mm x 2,5 m)	3,6 m ³ /min	
Aspiración	Funcionamiento con CC (con BL1850B, manguera de ø38 mm x 2,5 m)	9,0 kPa	
	Funcionamiento con CA (con manguera de ø38 mm x 2,5 m)	24,0 kPa	
Capacidad recuperable	Polvo	15 L	
	Agua	12 L	-
Dimensiones (La x An x Al)		366 mm x 334 mm x 421 mm	
Tensión nominal		CC 36 V	
Peso neto		8,9 - 9,6 kg	9,6 - 10,3 kg
Clase de seguridad		□/II	

- Debido a nuestro continuado programa de investigación y desarrollo, las especificaciones aquí dadas están sujetas a cambios sin previo aviso.
- Las especificaciones y el cartucho de batería pueden diferir de país a país.
- El peso no incluye accesorios excepto el cartucho(s) de batería. El peso de las combinaciones menos pesada y más pesada del aparato y cartucho(s) de batería se muestra en la tabla.
- Para polvo mojado, se requieren el flotador y el filtro de agua o filtro de paño.

Cartucho de batería y cargador aplicables

Cartucho de batería	BL1815N / BL1820 / BL1820B / BL1830 / BL1830B / BL1840 / BL1840B / BL1850 / BL1850B / BL1860B
Cargador	DC18RC / DC18RD / DC18RE / DC18SD / DC18SE / DC18SF

- Algunos de los cartuchos de batería y cargadores indicados arriba puede que no estén disponibles dependiendo de su región de residencia.

⚠ ADVERTENCIA: Utilice solamente los cartuchos de batería y cargadores listados arriba. La utilización de cualquier otro cartucho de batería y cargador puede ocasionar heridas y/o un incendio.

Símbolos

A continuación se muestran los símbolos utilizados con este equipo. Asegúrese de que entiende su significado antes de usarlo.



Lea el manual de instrucciones.



Preste cuidado y atención especiales.



¡Advertencia! La aspiradora puede contener polvo peligroso.



No se ponga nunca encima de la aspiradora.



Polvo de clase L (ligero). Las aspiradoras son capaces de recoger polvo de clase L. Siga los reglamentos de su país en relación con el polvo y la salud y seguridad laborales.



DOBLE AISLAMIENTO



Sólo para países de la Unión Europea
¡No deseche los aparatos eléctricos o baterías junto con los residuos domésticos! De conformidad con las Directivas Europeas, sobre residuos de equipos eléctricos y electrónicos y baterías y acumuladores y residuos de baterías y acumuladores y su aplicación de acuerdo con la legislación nacional, los aparatos eléctricos y pilas y baterías cuya vida útil haya llegado a su fin deberán ser recogidos por separado y trasladados a una planta de reciclaje que cumpla con las exigencias ecológicas.

Uso previsto

La herramienta es apropiada para uso comercial, por ejemplo, en hoteles, escuelas, hospitales, fábricas, tiendas, oficinas y negocios de alquiler.

DVC150L

La herramienta ha sido prevista para recoger tanto polvo seco como mojado.

DVC151L

La herramienta ha sido prevista para recoger polvo seco solamente.

Alimentación

La herramienta deberá ser conectada solamente a una fuente de alimentación de la misma tensión que la indicada en la placa de características, y solamente puede ser utilizada con alimentación de CA monofásica. La herramienta tiene doble aislamiento y puede, por lo tanto, utilizarse también en tomas de corriente sin conductor de tierra.

Ruido

El nivel de ruido A-ponderado típico determinado de acuerdo con la norma EN60335-2-69:

Modelo DVC150L

Nivel de presión sonora (L_{pA}): 75 dB (A)
Error (K): 2,5 dB (A)

Modelo DVC151L

Nivel de presión sonora (L_{pA}): 75 dB (A)
Error (K): 2,5 dB (A)

El nivel de ruido en situación de trabajo puede exceder 80 dB (A).

NOTA: El valor (o los valores) de emisión de ruido declarado ha sido medido de acuerdo con un método de prueba estándar y se puede utilizar para comparar una herramienta con otra.

NOTA: El valor (o valores) de emisión de ruido declarado también se puede utilizar en una valoración preliminar de exposición.

⚠ADVERTENCIA: Póngase protectores para oídos.

⚠ADVERTENCIA: La emisión de ruido durante la utilización real de la herramienta eléctrica puede variar del valor (o los valores) de emisión declarado dependiendo de las formas en las que la herramienta sea utilizada, especialmente qué tipo de pieza de trabajo se procesa.

⚠ADVERTENCIA: Asegúrese de identificar medidas de seguridad para proteger al operario que estén basadas en una estimación de la exposición en las condiciones reales de utilización (teniendo en cuenta todas las partes del ciclo operativo como las veces cuando la herramienta está apagada y cuando está funcionando en vacío además del tiempo de gatillo).

Vibración

El valor total de la vibración (suma de vectores triaxiales) determinado de acuerdo con la norma EN60335-2-69:

Emisión de vibración ($a_{h,M}$): 2,5 m/s² o menos
Error (K): 1,5 m/s²

NOTA: El valor (o los valores) total de emisión de vibración declarado ha sido medido de acuerdo con un método de prueba estándar y se puede utilizar para comparar una herramienta con otra.

NOTA: El valor (o los valores) total de emisión de vibración declarado también se puede utilizar en una valoración preliminar de exposición.

⚠ADVERTENCIA: La emisión de vibración durante la utilización real de la herramienta eléctrica puede variar del valor (o los valores) de emisión declarado dependiendo de las formas en las que la herramienta sea utilizada, especialmente qué tipo de pieza de trabajo se procesa.

⚠ADVERTENCIA: Asegúrese de identificar medidas de seguridad para proteger al operario que estén basadas en una estimación de la exposición en las condiciones reales de utilización (teniendo en cuenta todas las partes del ciclo operativo como las veces cuando la herramienta está apagada y cuando está funcionando en vacío además del tiempo de gatillo).

Declaración CE de conformidad

Para países europeos solamente

La declaración CE de conformidad está incluida como Anexo A de esta manual de instrucciones.

ADVERTENCIAS DE SEGURIDAD

Advertencias de seguridad para la aspiradora alámbrica / inalámbrica

⚠️ ADVERTENCIA: ¡IMPORTANTE! LEA CON ATENCIÓN todas las advertencias de seguridad y todas las instrucciones ANTES DE UTILIZAR. No seguir las advertencias e instrucciones puede resultar en una descarga eléctrica, un incendio y/o heridas graves.

1. Antes de utilizar, asegúrese de que esta aspiradora sea utilizada por personas que han sido instruidas adecuadamente sobre cómo usar esta aspiradora.
2. Si emerge espuma/líquido, apague inmediatamente.
3. Limpie el dispositivo de limitación del nivel de agua regularmente y examínelo por si hay señales de daños.
4. No utilice la aspiradora sin el filtro. Reemplace un filtro dañado inmediatamente.
5. **UTILIZACIÓN DE CABLE DE EXTENSIÓN.** Cuando utilice un cable de extensión debido a la gran distancia hasta la fuente de alimentación, intente utilizar un cable que sea suficientemente grueso pero no demasiado largo, o de lo contrario el rendimiento de la aspiradora se verá afectado adversamente. Para aplicaciones en exteriores utilice un cable de extensión apropiado para uso en exteriores.
6. **ADVERTENCIA SOBRE LA TENSIÓN:** Antes de conectar la aspiradora a una fuente de alimentación (enchufe, toma de corriente, etc.), asegúrese de que la tensión suministrada es la misma que la especificada en la placa de características de la aspiradora. Una fuente de alimentación con una tensión mayor que la especificada para la aspiradora puede resultar en **HERIDAS GRAVES** al operario, así como también daños a la aspiradora. Si tiene dudas, **NO ENCHUFE LA ASPIRADORA.** La utilización de una fuente de alimentación con una tensión menor que la nominal indicada en la placa de características es perjudicial para el motor.
7. **EVITE UNA PUESTA EN MARCHA INVOLUNTARIA.** Asegúrese de que el interruptor está desactivado cuando vaya a enchufar.
8. No intente recoger materiales inflamables, fuegos de artificio, cigarrillos encendidos, cenizas calientes, virutas metálicas calientes, materiales cortantes como cuchillas de afeitar, agujas, cristales rotos o similares.
9. **NO UTILICE NUNCA LA ASPIRADORA CERCA DE GASOLINA, GAS, PINTURA, ADHESIVOS U OTRAS SUSTANCIAS ALTAMENTE EXPLOSIVAS.** El interruptor emite chispas cuando se activa y desactiva. Y también lo hace el conmutador del motor durante la operación. Puede resultar en una peligrosa explosión.
10. Nunca aspire materiales tóxicos, cancerígenos, combustibles u otros materiales peligrosos como asbestos, arsénico, bario, berilio, plomo, pesticidas, u otros materiales que puedan poner en peligro la salud.
11. No utilice nunca la aspiradora en exteriores bajo la lluvia.
12. No utilice cerca de fuentes de calor (estufas, etc.).
13. **PROTÉJASE CONTRA LAS DESCARGAS ELÉCTRICAS.** Evite el contacto de su cuerpo con superficies conectadas a tierra. Por ejemplo; tuberías, radiadores, hornos, cerramientos de refrigeradores.
14. **No bloquee las aberturas de enfriamiento.** Estas aberturas permite el enfriamiento del motor. Deberá evitarse con cuidado que no se bloqueen, de lo contrario el motor se quemará por falta de ventilación.
15. Mantenga los pies sobre suelo firme y el equilibrio en todo momento.
16. **NO HAGA MAL USO DEL CABLE.** No transporte nunca la aspiradora tirando del cable ni tire de él con fuerza para desconectarlo del enchufe. Mantenga el cable alejado de calor, aceite, y bordes cortantes. Inspeccione los cables de la aspiradora periódicamente y si están dañados, pida a un taller de servicio autorizado que se los reparen. Inspeccione los cables de extensión periódicamente y reemplácelos si están dañados.
17. No doble, pise o tire con fuerza de la manguera.
18. Detenga la aspiradora inmediatamente si nota un mal rendimiento o algo anormal durante la operación.
19. **DESCONECTE LA ASPIRADORA.** Cuando no esté siendo utilizada, antes de realizar mantenimiento, y cuando cambie accesorios.
20. Limpie y haga el mantenimiento a la aspiradora inmediatamente después de cada utilización para mantenerla en las mejores condiciones de operación.
21. **MANTENGA LA ASPIRADORA CON CUIDADO.** Mantenga la aspiradora limpia para obtener un mejor y más seguro rendimiento. Siga las instrucciones cuando cambie accesorios. Mantenga los asideros secos, limpios y libres de aceite y grasa.
22. **COMPRUEBE LAS PARTES DAÑADAS.** Antes de seguir utilizando la aspiradora, un protector o cualquier otra parte que se haya dañado deberá inspeccionarse cuidadosamente para determinar que funcionará debidamente y que realizará la función para la que ha sido previsto. Compruebe la alineación de las partes móviles, la unión de las partes móviles, rotura de partes, montaje, y cualquier otra condición que pueda afectar a su operación. Un protector o cualquier otra parte que se haya dañado deberá repararse o reemplazarse debidamente en un centro de servicio autorizado a menos que se indique otra cosa en algún otro sitio en este manual de instrucciones. Pida a un centro de servicio autorizado que le reemplacen los interruptores defectuosos. No utilice la aspiradora si el interruptor no la enciende y apaga.

23. **PIEZAS DE REPUESTO.** Cuando haga el mantenimiento, utilice solamente piezas de repuesto idénticas.
24. **GUARDE LA ASPIRADORA SI NO LA ESTÁ UTILIZANDO.** Cuando no esté siendo utilizada, la aspiradora deberá estar guardada en interiores.
25. Los filtros mojados y la parte interior del contenedor de líquido deberán ser secados antes de almacenar.
26. Sea amable con su aspiradora. Un manejo brusco puede ocasionar la rotura de incluso la aspiradora más robusta.
27. No intente limpiar el interior o exterior con bencina, diluyente o productos químicos de limpieza. Podrá ocasionar grietas o decoloración.
28. No utilice la aspiradora en un espacio cerrado donde puedan desprenderse vapores inflamables, explosivos o tóxicos de pintura a base de aceite, disolventes de pintura, gasolina, algunas sustancias contra las polillas, etc., o en áreas donde haya polvo inflamable.
29. No deje el cable de la aspiradora tirado en el suelo después de que haya terminado un trabajo de limpieza. Puede convertirse en un riesgo de tropiezo o podrá ocasionar daños a la aspiradora.
30. No utilice esta o cualquier otra herramienta bajo la influencia de drogas o alcohol.
31. Como norma básica de seguridad, utilice gafas de protección o gafas de seguridad con escudos laterales.
32. Utilice una máscara contra el polvo en condiciones de trabajo polvorientas.
33. Esta máquina no ha sido prevista para ser utilizada por personas (incluidos niños) con capacidades físicas, sensoriales o mentales reducidas, o falta de experiencia y conocimiento.
34. Los niños pequeños deberán ser supervisados para asegurarse de que no juegan con la aspiradora.
35. No maneje nunca la clavija del cable o la aspiradora con las manos mojadas.
36. Tenga mucho cuidado cuando limpie en escaleras.
37. No utilice la aspiradora como taburete o mesa de trabajo. La máquina podrá caerse y resultar en heridas personales.

Utilización y cuidado de la herramienta a batería

1. **Cargue la batería solamente con el cargador especificado por el fabricante.** Un cargador que es apropiado para un tipo de batería puede crear un riesgo de incendio cuando se utiliza con otra batería.
2. **Utilice las herramientas eléctricas solamente con las baterías designadas específicamente para ellas.** La utilización de cualquier otra batería puede crear un riesgo de heridas o incendio.
3. **Cuando la batería no esté siendo utilizada, guárdela alejada de otros objetos metálicos, como sujetapapeles, monedas, llaves, clavos, tornillos u otros objetos metálicos pequeños, que puedan hacer conexión entre un terminal y el otro.** Si se cortocircuitan entre sí los terminales de la batería podrán producirse quemaduras o un incendio.

4. **En condiciones abusivas, es posible que salga expulsado líquido de la batería; evite el contacto con él.** Si se produce un contacto accidental, enjuague con agua. Si el líquido entra en los ojos, además de enjuagarlos, solicite asistencia médica. El líquido expulsado de la batería puede ocasionar irritación y quemaduras.
5. **No utilice una batería o herramienta que esté dañada o modificada.** Las baterías dañadas o modificadas pueden comportarse de forma impredecible resultando en un incendio, explosión o riesgo de heridas.
6. **No exponga una batería o herramienta al fuego o a temperatura excesiva.** La exposición al fuego o a una temperatura superior a los 130 °C puede ocasionar una explosión.
7. **Siga todas las instrucciones de carga y no cargue la batería o la herramienta fuera del rango de temperatura especificado en las instrucciones.** Cargar incorrectamente o a temperaturas fuera del rango especificado puede dañar la batería y aumentar el riesgo de incendio.

GUARDE ESTAS INSTRUCCIONES.

⚠ADVERTENCIA: No deje que la comodidad o familiaridad con el producto (a base de utilizarlo repetidamente) sustituya la estricta observancia de las normas de seguridad para el producto en cuestión. El MAL USO o el no seguir las normas de seguridad establecidas en este manual de instrucciones podrá ocasionar heridas personales graves.

Instrucciones de seguridad importantes para el cartucho de batería

1. **Antes de utilizar el cartucho de batería, lea todas las instrucciones e indicaciones de precaución sobre (1) el cargador de baterías, (2) la batería, y (3) el producto con el que se utiliza la batería.**
 2. **No desarme el cartucho de batería.**
 3. **Si el tiempo de uso se acorta demasiado, cese la operación inmediatamente.** Podría resultar en un riesgo de recalentamiento, posibles quemaduras e incluso una explosión.
 4. **Si entra electrolito en sus ojos, aclárelos con agua limpia y acuda a un médico inmediatamente.** Existe el riesgo de poder perder la vista.
 5. **No cortocircuite el cartucho de batería:**
 - (1) **No toque los terminales con ningún material conductor.**
 - (2) **Evite guardar el cartucho de batería en un cajón junto con otros objetos metálicos, como clavos, monedas, etc.**
 - (3) **No exponga el cartucho de batería al agua ni a la lluvia.**
- Un cortocircuito en la batería puede producir una gran circulación de corriente, un recalentamiento, posibles quemaduras e incluso una rotura de la misma.

6. No guarde la herramienta y el cartucho de batería en lugares donde la temperatura pueda alcanzar o exceder los 50 °C.
7. Nunca incinere el cartucho de batería incluso en el caso de que esté dañado seriamente o ya no sirva en absoluto. El cartucho de batería puede explotar si se tira al fuego.
8. Tenga cuidado de no dejar caer ni golpear el cartucho de batería.
9. No utilice una batería dañada.
10. Las baterías de litio-ion contenidas están sujetas a los requisitos de la Legislación para Materiales Peligrosos.
Para transportes comerciales, p.ej., por terceras personas y agentes de transportes, se deberán observar requisitos especiales para el empaquetado y etiquetado.
Para la preparación del artículo que se va a enviar, se requiere consultar con un experto en materiales peligrosos. Por favor, observe también la posibilidad de reglamentos nacionales más detallados.
Cubra con cinta aislante o enmascare los contactos expuestos y empaquete la batería de tal manera que no se pueda mover alrededor dentro del embalaje.
11. Siga los reglamentos locales referentes al desecho de la batería.
12. Utilice las baterías solamente con los productos especificados por Makita. La instalación de las baterías en productos no compatibles puede resultar en un incendio, calor excesivo, explosión, o fuga de electrolito.

GUARDE ESTAS INSTRUCCIONES.

⚠PRECAUCIÓN: Utilice solamente baterías genuinas de Makita. La utilización de baterías no genuinas de Makita, o baterías que han sido alteradas, puede resultar en una explosión de la batería ocasionando incendios, heridas personales y daños. También anulará la garantía de Makita para la herramienta y el cargador de Makita.

Consejos para alargar al máximo la vida de servicio de la batería

1. Cargue el cartucho de batería antes de que se descargue completamente. Detenga siempre la operación y cargue el cartucho de batería cuando note menos potencia en la herramienta.
2. No cargue nunca un cartucho de batería que esté completamente cargado. La sobrecarga acortará la vida de servicio de la batería.
3. Cargue el cartucho de batería a temperatura ambiente de 10 °C - 40 °C. Si un cartucho de batería está caliente, déjelo enfriar antes de cargarlo.
4. Cargue el cartucho de batería si no lo utiliza durante un periodo de tiempo prolongado (más de seis meses).

DESCRIPCIÓN DE LAS PARTES

Modelo DVC150L

(Modelo con filtro de paño (para polvo seco y mojado))

- **Fig.1:** 1. Tapa del depósito 2. Flotador 3. Caja del flotador 4. Filtro de paño 5. Depósito

Modelo DVC151L

(Modelo con filtro de polvo (para polvo seco))

- **Fig.2:** 1. Tapa del depósito 2. Filtro de polvo (HEPA) 3. Amortiguador 4. Prefiltro 5. Depósito

DESCRIPCIÓN DEL FUNCIONAMIENTO

Utilización con alimentación CA:

⚠ADVERTENCIA: Antes de enchufar la aspiradora, asegúrese siempre de que la aspiradora está apagada. Si enchufa la aspiradora con el interruptor activado podrá ocasionar una puesta en marcha inesperada resultando en heridas personales graves.

Conecte el enchufe a una toma de corriente.

- **Fig.3:** 1. Enchufe (la forma y longitud del cable pueden variar de un país a otro)

El indicador de alimentación CA se ilumina cuando se ajusta el interruptor de espera hacia el lado "I".

- **Fig.4:** 1. Indicador de alimentación CA

NOTA: Incluso funcionando en modo de alimentación CC, la aspiradora cambia automáticamente a modo de alimentación CA cuando la enchufa.

NOTA: Si se desenchufa la aspiradora durante la operación con la batería insertada, la aspiradora se pone en estado de espera.

Utilización con batería:

⚠PRECAUCIÓN: Asegúrese siempre de que la aspiradora está apagada, desenchufada, y el cartucho de batería ha sido retirado antes de ajustar o comprobar una función en la aspiradora.

Instalación o extracción del cartucho de batería

⚠PRECAUCIÓN: Apague siempre la herramienta antes de instalar o extraer el cartucho de batería.

⚠PRECAUCIÓN: Sujete la aspiradora y el cartucho de batería con firmeza cuando instale o extraiga el cartucho de batería. Si no sujeta la aspiradora y el cartucho de batería firmemente podrá ocasionar que se deslicen de sus manos y resultar en daños a la aspiradora y el cartucho de batería y heridas personales.

⚠PRECAUCIÓN: Tenga cuidado de no pillarse los dedos cuando abra o cierre la tapa de la batería. En caso contrario podrán producirse heridas personales.

Para instalar el cartucho de batería, primero libere el bloqueo, y después abra la tapa de la batería. Después de eso, inserte el cartucho de batería.

► **Fig.5:** 1. Bloqueo 2. Tapa de la batería

Alinee la lengüeta del cartucho de batería con la acañaladura en el alojamiento y deslícelo al interior hasta encajarlo en su sitio. Insértelo a fondo hasta que se bloquee en su sitio con un leve chasquido. Después bloquee la tapa de la batería.

► **Fig.6:** 1. Cartucho de batería

Para retirar el cartucho de batería, deslícelo hacia afuera de la herramienta mientras desliza el botón en la parte delantera del cartucho.

⚠PRECAUCIÓN: Instale siempre el cartucho de batería completamente hasta que el indicador rojo no se pueda ver. En caso contrario, podrá caerse accidentalmente de la aspiradora, ocasionando heridas a usted o a alguien alrededor de usted.

⚠PRECAUCIÓN: No instale el cartucho de batería empleando fuerza. Si el cartucho no se desliza al interior fácilmente, será porque no está siendo insertado correctamente.

NOTA: La aspiradora no funciona con solamente un cartucho de batería.

NOTA: Retire el enchufe de la aspiradora del cable de extensión cuando utilice la aspiradora con las baterías.

Modo de indicar la capacidad de batería restante

Solamente para cartuchos de batería con el indicador

► **Fig.7:** 1. Lámparas indicadoras 2. Botón de comprobación

Presione el botón de comprobación en el cartucho de batería para indicar la capacidad de batería restante. Las lámparas indicadoras se iluminan durante unos pocos segundos.

Lámparas indicadoras			Capacidad restante
Iluminada	Apagada	Parpadeando	
■	□	◐	75% a 100%
■ ■ ■ ■	□ □ □ □	◐ ◐	
■ ■ ■ ■	□ □ □ □	◐ ◐	50% a 75%
■ ■ ■ ■	□ □ □ □	◐ ◐	25% a 50%
■ ■ ■ ■	□ □ □ □	◐ ◐	0% a 25%
◐	□ □ □ □	◐ ◐	Cargue la batería.
■ ■ ■ ■	□ □ □ □	◐ ◐	Puede que la batería no esté funcionando bien.
□ □ □ □	■ ■ ■ ■	◐ ◐	

NOTA: Dependiendo de las condiciones de utilización y de la temperatura ambiente, la indicación podrá variar ligeramente de la capacidad real.

Modo de indicar la capacidad de batería restante

► **Fig.8:** 1. Indicador de batería 2. Botón de comprobación

► **Fig.9**

Presione el botón de comprobación para indicar las capacidades de batería restantes. Los indicadores de batería corresponden a cada batería.

Estado del indicador de batería			Capacidad de batería restante
Encendido	Apagado	Parpadeando	
■	□	◐	50% a 100%
■ ■ ■ ■	□ □ □ □	◐ ◐	20% a 50%
■ ■ ■ ■	□ □ □ □	◐ ◐	0% a 20%
◐	□ □ □ □	◐ ◐	Cargue la batería


Sistema de protección de la herramienta / batería

La herramienta está equipada con un sistema de protección de la herramienta/batería. Este sistema corta automáticamente la alimentación al motor para alargar la vida de servicio de la herramienta y la batería. La herramienta se detendrá automáticamente durante la operación si la herramienta o la batería es puesta en una de las condiciones siguientes:

Protección contra sobrecarga

Cuando la herramienta es utilizada de una manera que da lugar a que tenga que absorber una corriente anormalmente alta, la herramienta se detiene automáticamente sin ninguna indicación. En esta situación, apague la herramienta y detenga la tarea que ocasiona la sobrecarga de la herramienta. Después encienda la herramienta para volver a empezar.

Protección contra el recalentamiento

■ Encendido	◐ Parpadeando
	

Cuando la herramienta se recalienta, se detiene automáticamente, y el indicador de batería parpadea unos 60 segundos. En esta situación, deje que la herramienta se enfríe antes de encenderla otra vez.

Protección contra descarga excesiva

Cuando la capacidad de la batería sea baja, la herramienta se detendrá automáticamente. Si el producto no funciona aun cuando los interruptores sean accionados, retire las baterías de la herramienta y cárguelas.

Accionamiento del interruptor

► **Fig.10:** 1. Interruptor de espera 2. Botón de alimentación 3. Pomo de ajuste de la fuerza de succión

Para poner en marcha la aspiradora:



1. Ajuste el interruptor de espera hacia el lado "I". La aspiradora se pone en estado de espera.

2. Presione el botón de alimentación.

Para hacer que la aspiradora entre en modo de espera, presione el botón de alimentación otra vez.

Para apagar la aspiradora, ajuste el interruptor de espera hacia el lado "O".

La potencia de succión se puede ajustar de acuerdo con las necesidades de su trabajo.

La potencia de succión se puede incrementar girando el pomo de ajuste de la fuerza de succión desde el símbolo  hasta el símbolo .

AVISO: Ajuste siempre el interruptor de espera hacia el lado "O" cuando no utilice la aspiradora durante largo tiempo. La aspiradora consume energía durante el estado de espera.

Parada de la succión automática durante la operación de succión en mojado

Solamente para el modelo con filtro de paño

⚠ADVERTENCIA: No utilice durante largo tiempo mientras el flotador está funcionando.

La utilización de la aspiradora durante largo tiempo con su flotador funcionando puede ocasionar recalentamiento, resultando en una deformación de la aspiradora.

⚠ADVERTENCIA: No recoja espuma o líquido jabonoso. La recogida de espuma o líquido jabonoso puede ocasionar que emerja espuma por la salida de aire antes de que funcione el flotador. Si continúa utilizando en esta condición podrá ocasionar una descarga eléctrica y rotura de la aspiradora.

La parada de la succión automática funciona solamente cuando se utiliza con el flotador y la caja del flotador.

La aspiradora tiene un mecanismo de flotador que impide al agua entrar en el motor cuando se recoge más de cierta cantidad de agua. Cuando el depósito esté lleno y la aspiradora ya no recoja agua, apague la aspiradora y vacíe el depósito.

Bloqueo y desbloqueo de la ruedecilla

► **Fig.11:** 1. Ruedecilla 2. Palanca del retenedor 3. Posición LIBRE 4. Posición BLOQUEADA

Bloquear la ruedecilla resulta conveniente cuando se almacena la aspiradora, se detiene la tarea sobre la marcha y se mantiene inmóvil la aspiradora.

Para operar el retenedor, muévelo a mano.

Para bloquear la ruedecilla, baje la palanca del retenedor y la ruedecilla ya no girará. Para liberar la ruedecilla de la posición bloqueada, suba la palanca del retenedor.

NOTA: Cuando vaya a mover la aspiradora, asegúrese de que la ruedecilla está desbloqueada. Mover la aspiradora con la ruedecilla en la posición bloqueada puede ocasionar daños a la ruedecilla.

Empuñadura de transporte

Cuando transporte la aspiradora, transpórtela sujetándola por la empuñadura de la parte superior. La empuñadura se retracta en la parte superior cuando no se utiliza.

► **Fig.12**

MONTAJE

⚠PRECAUCIÓN: Antes de hacer cualquier trabajo en la aspiradora, asegúrese siempre de que la aspiradora está apagada, desenchufada, y el cartucho de batería ha sido retirado.

⚠PRECAUCIÓN: Póngase siempre máscara contra el polvo durante el montaje o el mantenimiento.

Instalación del filtro de polvo (HEPA) y el prefiltro (para polvo seco)

Accesorio opcional para el modelo con filtro de paño

⚠PRECAUCIÓN: No recoja nunca agua u otros líquidos o polvo mojado cuando esté utilizando el filtro de polvo. Recoger tales cosas puede ocasionar la rotura del filtro de polvo.

Para utilizar el filtro de polvo:

1. Retire la caja del flotador y el flotador retirando los pernos.

► **Fig.13:** 1. Flotador 2. Caja del flotador

2. Ponga el prefiltro en el depósito alineando las marcas de posición de montaje.

3. Monte el amortiguador en el filtro de polvo y después póngalos en el prefiltro alineando las marcas de posición de montaje.

4. Finalmente, monte la tapa del depósito y bloquéela.

► **Fig.14:** 1. Tapa del depósito 2. Filtro de polvo (HEPA) 3. Amortiguador 4. Prefiltro 5. Depósito 6. Marca de posición de montaje

AVISO: Antes de utilizar el filtro de polvo, asegúrese de que el prefiltro y el amortiguador se utilizan siempre juntos. No está permitido instalar solamente el filtro de polvo.

Instalación del filtro de agua

Accesorio opcional para el modelo con filtro de paño

⚠PRECAUCIÓN: No recoja nunca agua o polvo mojado sin el flotador y el filtro de paño o el filtro de agua.

⚠PRECAUCIÓN: Para recoger polvo mojado, asegúrese de que la caja del flotador y el flotador están instalados en la aspiradora.

⚠PRECAUCIÓN: Cuando instale el filtro de agua en el depósito, ajústelo bien apretado en la abertura del depósito de forma que el gancho del filtro de agua enganche firmemente la abertura del depósito y no haya espacio entre el filtro de agua y el depósito.

Para recoger agua o polvo mojado solamente, el filtro de agua es más adecuado que el filtro de paño. Cuando instale el filtro de agua, alinee la marca de posición de montaje con la del depósito.

► **Fig.15:** 1. Filtro de agua 2. Depósito 3. Marca de posición de montaje

NOTA: Se recomienda utilizar filtro de agua cuando se recoja gran cantidad de agua repetidamente. De lo contrario la habilidad de aspiración podrá reducirse en caso del filtro de paño.

Instalación del paquete de papel

Accesorios opcionales

⚠ADVERTENCIA: Cuando utilice el paquete de papel, utilice también juntos el filtro de paño o el prefiltro que está preinstalado en la aspiradora. Si no utiliza el filtro de paño / prefiltro juntos podrá ocasionar ruido inusual y calentamiento, resultando en un incendio.

⚠PRECAUCIÓN: (Para el modelo con filtro de paño)

- No recoja nunca agua u otros líquidos o polvo mojado cuando esté utilizando el paquete de papel. Recoger tales cosas puede ocasionar la rotura del paquete de papel.
- Antes de utilizar el paquete de papel, asegúrese de que el filtro de polvo (accesorio opcional), el amortiguador (accesorio opcional) y el prefiltro se utilizan siempre juntos.

⚠PRECAUCIÓN: (Para el modelo con filtro de polvo)

- Antes de utilizar el paquete de papel, asegúrese de que el filtro de polvo, el amortiguador y el prefiltro se utilizan siempre juntos.

1. Retire el soporte de goma.

► **Fig.16:** 1. Soporte de goma

2. Extienda el paquete de papel.

3. Alinee la abertura del paquete de papel con la abertura de succión de polvo de la aspiradora.

4. Inserte el cartón del paquete de papel en el soporte de forma que quede posicionado al final más allá de la protuberancia de retención.

► **Fig.17:** 1. Paquete de papel 2. Soporte

Instalación de la bolsa de polietileno

La aspiradora también se puede utilizar sin la bolsa de polietileno. Sin embargo, utilizando la bolsa de polietileno resulta más fácil vaciar el depósito sin ensuciarse las manos.

Extienda la bolsa de polietileno en el depósito. Insértela entre la placa del soporte y el depósito, y tire de ella hasta la boca de la manguera.

► **Fig.18:** 1. Placa del soporte 2. Bolsa de polietileno

Extienda la bolsa alrededor de la parte superior del depósito de forma que el borde del filtro de paño / prefiltro pueda agarrar y sujetar la bolsa firmemente.

► **Fig.19:** 1. Filtro de paño / prefiltro

NOTA: Se puede utilizar una bolsa de polietileno disponible en el comercio. Se recomienda una de 0,04 mm o más gruesa.

NOTA: Demasiado polvo rasgará la bolsa fácilmente, por lo que no recoja polvo más que hasta la mitad de la capacidad de la bolsa.

Vaciado de la bolsa de polietileno

⚠ADVERTENCIA: Asegúrese siempre de que la aspiradora está apagada, desenchufada, y el cartucho de batería ha sido retirado antes de vaciar la bolsa de polietileno. En caso contrario podrá ocasionar una descarga eléctrica y heridas personales graves.

⚠PRECAUCIÓN: No aplique un impacto fuerte a la caja del flotador y el depósito. Si aplica un impacto fuerte podrá ocasionar deformación y daños a las partes.

⚠PRECAUCIÓN: Vacíe el depósito al menos una vez al día aunque esto dependerá del volumen de polvo recogido en el depósito. O, la fuerza de succión se debilitará y el motor podrá romperse.

⚠PRECAUCIÓN: No agarre el gancho cuando vacíe el depósito. Si agarra el gancho podrá ocasionar la rotura del gancho.

Desenganche y levante la tapa del depósito.

Desprenda el polvo del filtro de paño / prefiltro y después saque la bolsa de polietileno del depósito.

► **Fig.20**

NOTA: Saque la bolsa de polietileno del depósito con cuidado de forma que la bolsa de polietileno no se pueda enganchar y rasgar con la protuberancia dentro del depósito cuando la vacíe.

NOTA: Vacíe la bolsa de polietileno antes de que se llene. Demasiado polvo en el depósito puede ocasionar que la bolsa de polietileno se rasgue.

Instalación de la caja de herramientas

1. Libere el bloqueo de la tapa de la batería, y abra la tapa de la batería.

2. Ponga los rieles de la caja de herramientas a lo largo de las acanaladuras en el alojamiento.

3. Cierre la tapa de la batería y aplique el bloqueo.

► **Fig.21**

La caja de herramientas resulta conveniente para transportar baterías, cable de extensión, tubo y los manguitos.

► **Fig.22**

Conexión de la manguera

AVISO: No fuerce nunca la manguera para doblarla o estamparla. No mueva nunca la aspiradora tirando de la manguera. Forzar, estampar y tirar de la manguera podrá ocasionar una rotura o deformación de la manguera.

AVISO: Cuando recoja residuos grandes tales como virutas de cepilladora, polvo de cemento o similares distintos de residuos pequeños, utilice la manguera de diámetro interior de 38 mm (accesorio opcional). La utilización de la manguera de diámetro interior de 28 mm (accesorio opcional) puede ocasionar un relleno de la manguera y daños.

Inserte la manguera en el puerto de montaje del depósito y gírela hacia la derecha hasta que se bloquee.

► Fig.23

MANTENIMIENTO

PRECAUCIÓN: Asegúrese siempre de que aspiradora está apagada, desenchufada, y el cartucho de batería ha sido retirado antes de intentar hacer una inspección o mantenimiento.

AVISO: No utilice nunca gasolina, bencina, disolvente, alcohol o similares. Podría producir descoloración, deformación o grietas.

Para mantener la SEGURIDAD y FIABILIDAD del producto, las reparaciones, y cualquier otra tarea de mantenimiento o ajuste deberán ser realizadas en centros de servicio o de fábrica autorizados por Makita, empleando siempre repuestos Makita.

Para guardar el cable de alimentación

Puede enrollar el cable de alimentación alrededor de la caja de herramientas.

► Fig.24

Almacenamiento de los accesorios

Los tubos se pueden colocar en el soporte de tubos cuando no se utilice la aspiradora durante poco tiempo.

► Fig.25

► Fig.26

La manguera se puede almacenar alrededor de la herramienta conectando cada extremo.

► Fig.27

Limpieza del filtro de paño

Solamente para el modelo con filtro de paño

El filtro de paño obstruido ocasionará un mal rendimiento de succión.

Limpie el filtro de paño de vez en cuando.

Para retirar el polvo o partículas adheridas al filtro de paño, agite la parte inferior del bastidor rápidamente varias veces.

► Fig.28: 1. Filtro de paño

Limpieza del filtro de polvo (HEPA) y el prefiltro

Solamente para el modelo con filtro de polvo

El filtro de polvo, prefiltro y amortiguador obstruidos ocasionarán un mal rendimiento de succión. Limpie los filtros y amortiguadores de vez en cuando.

Para retirar el polvo o partículas adheridas a los filtros, agite la parte inferior del bastidor rápidamente varias veces.

► Fig.29

Lave ocasionalmente el filtro de polvo en agua, aclárelo y séquelo completamente en la sombra antes de utilizarlo. No lave nunca los filtros en una lavadora.

NOTA: No frote o rasque el filtro de polvo, el prefiltro o el amortiguador con objetos duros tales como un cepillo y una paleta.

NOTA: Los filtros se gastan con el paso del tiempo. Se recomienda tener algunos repuestos para ellos.

ACCESORIOS OPCIONALES

PRECAUCIÓN: Estos accesorios o aditamentos están recomendados para su uso con la herramienta Makita especificada en este manual. El uso de cualquier otro accesorio o aditamento puede suponer un riesgo de heridas personales. Utilice el accesorio o aditamento solamente con la finalidad indicada para el mismo.

Si necesita cualquier ayuda para más detalles en relación con estos accesorios, pregunte al centro de servicio Makita local.

- Manguera
- Manguito delantero (22, 24, 38)
- Tubo recto
- Boquilla para esquinas
- Cepillo redondo
- Filtro de polvo, HEPA (para polvo seco)
- Amortiguador
- Prefiltro
- Conjunto de boquilla
- Tubo curvado
- Bolsa de polietileno
- Paquete de papel
- Juego de soporte
- Filtro de agua (opción para el modelo con filtro de paño)
- Batería y cargador genuinos de Makita

NOTA: Algunos elementos de la lista podrán estar incluidos en el paquete de la herramienta como accesorios estándar. Pueden variar de un país a otro.

AVISO

Esta máquina não deve ser utilizada por pessoas com capacidades físicas, sensoriais ou mentais reduzidas nem por crianças ou pessoas com falta de experiência ou conhecimentos.

As crianças devem ser supervisionadas, de modo a assegurar que não brincam com o aparelho.

ESPECIFICAÇÕES

Modelo:		DVC150L	DVC151L
Tipo de filtro padrão		Filtro de pano (para pó seco e húmido)	Filtro de pó (para pó seco)
Fluxo de volume (ar)	Funcionamento CC (com a bateria BL1850B, uma mangueira de ø38 mm x 2,5 m)	2,1 m ³ /min	
	Funcionamento CA (com mangueira de ø38 mm x 2,5 m)	3,6 m ³ /min	
Vácuo	Funcionamento CC (com a bateria BL1850B, uma mangueira de ø38 mm x 2,5 m)	9,0 kPa	
	Funcionamento CA (com mangueira de ø38 mm x 2,5 m)	24,0 kPa	
Capacidade de recuperação	Pó	15 L	
	Água	12 L	-
Dimensões (C x L x A)		366 mm x 334 mm x 421 mm	
Tensão nominal		CC 36 V	
Peso líquido		8,9 - 9,6 kg	9,6 - 10,3 kg
Classe de segurança		□/II	

- Devido a um programa contínuo de pesquisa e desenvolvimento, estas especificações estão sujeitas a alteração sem aviso prévio.
- As especificações e a bateria podem variar de país para país.
- O peso não inclui os acessórios mas a(s) bateria(s). Os pesos combinados mais leve e mais pesado do aparelho e da(s) bateria(s) são indicados na tabela.
- Para pó húmido são necessários o flutuador e o filtro de água ou o filtro de pano.

Bateria e carregador aplicável

Bateria	BL1815N / BL1820 / BL1820B / BL1830 / BL1830B / BL1840 / BL1840B / BL1850 / BL1850B / BL1860B
Carregador	DC18RC / DC18RD / DC18RE / DC18SD / DC18SE / DC18SF

- Algumas das baterias e carregadores listados acima poderão não estar disponíveis, dependendo da sua região de residência.

⚠️ AVISO: Utilize apenas as baterias e carregadores listados acima. A utilização de quaisquer outras baterias e carregadores pode causar ferimentos e/ou um incêndio.

Símbolos

A seguir são apresentados os símbolos utilizados para o equipamento. Certifique-se de que compreende o seu significado antes de utilizar o equipamento.



Leia o manual de instruções.



Tenha especial cuidado e atenção.



Aviso! O aspirador poderá conter pó perigoso.



Nunca se coloque sobre o aspirador.



Pó de classe L (leve). Os aspiradores são capazes de recolher pó de classe L. Siga os regulamentos do seu país relativos a pós e a higiene e segurança no trabalho.



ISOLAMENTO DUPLO



Apenas para países da UE.
Não elimine equipamentos elétricos ou baterias com o lixo doméstico! Tendo em conta as Diretivas europeias relativas a resíduos de equipamentos elétricos e eletrónicos e baterias e acumuladores e resíduos de baterias e acumuladores e à implementação das mesmas de acordo com as leis nacionais, os equipamentos elétricos e as baterias e pacotes de baterias que chegaram ao fim da vida têm de ser recolhidos separadamente e entregues a instalações de reciclagem ambientalmente compatíveis.

Utilização a que se destina

A ferramenta é adequada para utilização comercial, por exemplo, em hotéis, escolas, hospitais, fábricas, lojas, escritórios e empresas de aluguer.

DVC150L

A ferramenta serve para recolher pó húmido e seco.

DVC151L

A ferramenta serve apenas para recolher pó seco.

Alimentação

A ferramenta só deve ser ligada a uma fonte de alimentação com a mesma tensão da indicada na placa de características, e só funciona com alimentação de corrente alternada (CA) monofásica. Tem um sistema de isolamento duplo e pode, por isso, utilizar tomadas sem ligação à terra.

Ruído

A característica do nível de ruído A determinado de acordo com a EN60335-2-69:

Modelo DVC150L

Nível de pressão acústica (L_{pA}): 75 dB (A)
Variabilidade (K): 2,5 dB (A)

Modelo DVC151L

Nível de pressão acústica (L_{pA}): 75 dB (A)
Variabilidade (K): 2,5 dB (A)

O nível de ruído durante o funcionamento pode exceder 80 dB (A).

NOTA: O(s) valor(es) da emissão de ruído indicado(s) foi medido de acordo com um método de teste padrão e pode ser utilizado para comparar duas ferramentas.

NOTA: O(s) valor(es) da emissão de ruído indicado(s) pode também ser utilizado na avaliação preliminar da exposição.

AVISO: Utilize protetores auriculares.

AVISO: A emissão de ruído durante a utilização real da ferramenta elétrica pode diferir do(s) valor(es) indicado(s), dependendo das formas como a ferramenta é utilizada, especialmente o tipo de peça de trabalho que é processada.

AVISO: Certifique-se de identificar as medidas de segurança para proteção do operador que sejam baseadas em uma estimativa de exposição em condições reais de utilização (considerando todas as partes do ciclo de operação, tal como quando a ferramenta está desligada e quando está a funcionar em marcha lenta além do tempo de acionamento).

Vibração

Valor total da vibração (soma vetorial tri-axial) determinado de acordo com a EN60335-2-69:
Emissão de vibração ($a_{h,M}$): 2,5 m/s² ou menos
Variabilidade (K): 1,5 m/s²

NOTA: O(s) valor(es) total(ais) de vibração indicado(s) foi medido de acordo com um método de teste padrão e pode ser utilizado para comparar duas ferramentas.

NOTA: O(s) valor(es) total(ais) de vibração indicado(s) pode também ser utilizado na avaliação preliminar da exposição.

AVISO: A emissão de vibração durante a utilização real da ferramenta elétrica pode diferir do(s) valor(es) indicado(s), dependendo das formas como a ferramenta é utilizada, especialmente o tipo de peça de trabalho que é processada.

AVISO: Certifique-se de identificar as medidas de segurança para proteção do operador que sejam baseadas em uma estimativa de exposição em condições reais de utilização (considerando todas as partes do ciclo de operação, tal como quando a ferramenta está desligada e quando está a funcionar em marcha lenta além do tempo de acionamento).

Declaração de conformidade da CE

Apenas para os países europeus

A declaração de conformidade da CE está incluída como Anexo A neste manual de instruções.

AVISOS DE SEGURANÇA

Avisos de segurança do aspirador de água e pó a bateria / elétrico

⚠️ AVISO: IMPORTANTE! LEIA COM ATENÇÃO todos os avisos de segurança e todas as instruções ANTES DA UTILIZAÇÃO. Caso não siga os avisos e instruções, pode apanhar um choque elétrico, provocar um incêndio e/ou ferimentos graves.

1. Antes de utilizar, certifique-se de que este aspirador é utilizado por pessoas que tenham recebido instruções adequadas sobre a utilização deste aspirador.
2. Se sair espuma/líquido, desligue imediatamente.
3. Limpe o dispositivo de limitação do nível de água regularmente e inspecione-o quanto a sinais de danos.
4. Não utilize o aspirador sem o filtro. Substitua imediatamente o filtro danificado.
5. **UTILIZAÇÃO DO CABO DE EXTENSÃO.** Quando utilizar um cabo de extensão devido à grande distância em relação à sua fonte de alimentação, tente utilizar um cabo suficientemente espesso mas não demasiado longo, caso contrário, o desempenho do aspirador será afetado de forma adversa. No caso de aplicações no exterior, utilize um cabo de extensão adequado para utilização no exterior.
6. **AVISO DE TENSÃO:** Antes de ligar o aspirador a uma fonte de alimentação (recetáculo, tomada, etc.), certifique-se de que a tensão fornecida é igual à especificada na placa de identificação do aspirador. Uma fonte de alimentação com tensão superior à especificada para o aspirador pode resultar em **LESÕES GRAVES** no operador e em danos no aspirador. Em caso de dúvida, **NÃO LIGUE O ASPIRADOR À TOMADA.** Utilizar uma fonte de alimentação com tensão inferior à classificação que consta na placa de identificação é prejudicial para o motor.
7. **EVITAR O ARRANQUE INVOLUNTÁRIO.** Assegure que o interruptor está desligado (OFF) quando inserir a ficha na tomada.
8. Não tente aspirar materiais inflamáveis, fogo de artifício, cigarros acesos, cinzas quentes, aparas metálicas quentes, materiais aguçados como lâminas, agulhas, vidro partido ou outros do género.
9. **NUNCA UTILIZE O ASPIRADOR JUNTO DE GASOLINA, GÁS, TINTA, COLAS OU OUTRAS SUBSTÂNCIAS ALTAMENTE EXPLOSIVAS.** O interruptor emite faíscas quando se liga e desliga. O mesmo acontece com o comutador do motor durante o funcionamento. Pode resultar em explosão perigosa.
10. Nunca aspire produtos tóxicos, carcinogénicos, combustíveis ou outros materiais perigosos como amianto, arsénico, bário, berílio, chumbo, pesticidas ou outros materiais que ponham a saúde em perigo.
11. Nunca utilize o aspirador no exterior, à chuva.
12. Não utilize junto de fontes de calor (fornos, etc.).
13. **RESGUARDO CONTRA CHOQUE ELÉTRICO.** Evite o contacto do corpo com superfícies ligadas à terra. Por exemplo, tubos, radiadores, fornos de micro-ondas, compartimentos de frigoríficos.
14. Não bloqueie os ventiladores de arrefecimento. Estes ventiladores permitem arrefecer o motor. Os entupimentos devem ser cuidadosamente evitados, caso contrário, o motor queima por falta de ventilação.
15. Mantenha sempre o equilíbrio e os pés bem assentes no chão.
16. **NÃO FORCE O CABO.** Nunca transporte o aspirador através do cabo ou arranque-o para retirá-lo da tomada elétrica. Mantenha o cabo afastado do calor, óleo e bordos afiados. Inspeção os cabos do aspirador periodicamente e, se estiverem danificados, solicite a reparação pela instalação de assistência autorizada. Inspeção os cabos de extensão periodicamente e substitua-os caso estejam danificados.
17. Não dobre, arraste nem pise a mangueira.
18. Desligue imediatamente o aspirador se notar qualquer falta de desempenho ou algo fora do normal durante o funcionamento.
19. **DESLIGUE O ASPIRADOR.** Quando não estiver a utilizar o aparelho, antes da assistência técnica e quando mudar de acessórios.
20. Limpe e faça a assistência ao aspirador imediatamente após cada utilização para o manter nas condições de funcionamento normal.
21. **CONSERVE O ASPIRADOR COM CUIDADO.** Mantenha o aspirador limpo para obter um desempenho melhor e mais seguro. Siga as instruções para mudar os acessórios. Mantenha as pegas secas, limpas e sem óleo e gordura.
22. **VERIFIQUE AS PEÇAS DANIFICADAS.** Antes de continuar a utilizar o aspirador deve verificar cuidadosamente se qualquer resguardo ou outra peça está danificado para determinar se o aspirador funcionará adequadamente e realizará a função pretendida. Verifique o alinhamento das peças móveis, a união das peças móveis, a quebra de peças, a montagem e quaisquer outras condições que possam afetar o seu funcionamento. Um resguardo ou outra peça danificado deve ser adequadamente reparado ou substituído por um centro de assistência autorizado, a menos que indicado o contrário em qualquer outro lugar neste manual. Peça a substituição de interruptores defeituosos junto de um centro de assistência autorizado. Não utilize o aspirador se o interruptor não o ligar ou desligar.
23. **PEÇAS DE SUBSTITUIÇÃO.** Durante a assistência, utilize apenas peças de substituição idênticas.
24. **GUARDE O ASPIRADOR PARADO.** Quando não estiver a utilizar o aspirador, deve guardá-lo no interior.

25. Os filtros húmidos e a parte interior do recipiente de líquido devem ser secos antes de serem guardados.
26. Tenha cuidado com o aspirador. Um manuseamento severo pode provocar quebras até mesmo ao aspirador mais robusto.
27. Não tente limpar o exterior ou o interior com benzina, diluente ou produtos químicos de limpeza. Pode provocar rachas ou descoloração.
28. Não utilize o aspirador num espaço fechado onde existam vapores inflamáveis, explosivos ou tóxicos devido a tintas à base de óleo, diluente de tinta, gasolina, algumas substâncias repelentes de traças, etc. ou em áreas onde estejam presentes poeiras inflamáveis.
29. Não deixe o cabo do aspirador no chão após concluir uma tarefa de limpeza. Pode tornar-se um perigo de tropeçamento ou causar danos no aspirador.
30. Não opere esta ou qualquer ferramenta sob a influência de drogas ou álcool.
31. Utilize óculos de segurança ou de proteção com proteções laterais como medida básica de segurança.
32. Utilize uma máscara contra pó em condições de trabalho poeirentas.
33. Esta máquina não deve ser utilizada por pessoas com capacidades físicas, sensoriais ou mentais reduzidas nem por crianças ou pessoas com falta de experiência ou conhecimentos.
34. As crianças pequenas devem ser supervisionadas para garantir que não brincam com o aspirador.
35. Nunca manuseie o cabo de alimentação ou o aspirador com as mãos molhadas.
36. Tenha extremo cuidado quando limpar escadas.
37. Não utilize o aspirador como banco ou bancada de trabalho. A máquina pode cair e resultar em ferimentos pessoais.

Utilização e cuidados com a ferramenta a bateria

1. **Recarregue apenas com o carregador especificado pelo fabricante.** Um carregador adequado para um tipo de bateria pode criar um risco de incêndio quando utilizado com outra bateria.
2. **Utilize as ferramentas elétricas apenas com as baterias especificamente designadas.** A utilização de uma bateria diferente pode criar um risco de ferimentos e de incêndio.
3. **Quando a bateria não está a ser utilizada, mantenha-a afastada de outros objetos metálicos, como cliques, moedas, chaves, pregos, parafusos ou outros objetos metálicos pequenos que possam fazer a ligação entre os dois terminais.** Colocar os terminais da bateria em curto-circuito um com o outro pode provocar queimaduras ou um incêndio.
4. **Em condições abusivas, o líquido pode ser ejetado da bateria; evite o contacto com o mesmo. Se ocorrer um contacto accidental, lave com água. Se o líquido entrar em contacto com os olhos, procure também assistência médica.** O líquido ejetado da bateria pode provocar irritações ou queimaduras.
5. **Não utilize um conjunto de baterias ou uma ferramenta que se encontrem danificados ou modificados.** As baterias danificadas ou modificadas poderão exibir um comportamento imprevisível, resultando em incêndio, explosão ou risco de lesão.
6. **Não exponha um conjunto de baterias ou uma ferramenta a incêndio ou temperatura excessiva.** A exposição a incêndio ou a uma temperatura superior a 130 °C poderá causar uma explosão.
7. **Siga todas as instruções de carregamento e não carregue o conjunto de baterias ou ferramenta fora da amplitude de temperaturas especificada nas instruções.** O carregamento impróprio ou a temperaturas fora da amplitude especificada poderá danificar a bateria e aumentar o risco de incêndio.

GUARDE ESTAS INSTRUÇÕES.

⚠️AVISO: NÃO permita que conforto ou familiaridade com o produto (adquirido com o uso repetido) substitua a aderência estrita às regras de segurança da ferramenta. **MÁ INTERPRETAÇÃO** ou não seguimento das regras de segurança estabelecidas neste manual de instruções pode causar danos pessoais sérios.

Instruções de segurança importantes para a bateria

1. **Antes de utilizar a bateria, leia todas as instruções e etiquetas de precaução no (1) carregador de bateria (2) bateria e (3) produto que utiliza a bateria.**
2. **Não abra a bateria.**
3. **Se o tempo de funcionamento se tornar excessivamente curto, pare o funcionamento imediatamente. Pode resultar em sobreaquecimento, possíveis queimaduras e mesmo explosão.**
4. **Se entrar eletrólito nos seus olhos, lave-os com água e consulte imediatamente um médico. Pode resultar em perda de visão.**
5. **Não coloque a bateria em curto-circuito:**
 - (1) **Não toque nos terminais com qualquer material condutor.**
 - (2) **Evite guardar a bateria juntamente com outros objetos metálicos tais como pregos, moedas, etc.**
 - (3) **Não exponha a bateria à água ou chuva. Um curto-circuito pode ocasionar um enorme fluxo de corrente, sobreaquecimento, possíveis queimaduras e mesmo estragar-se.**
6. **Não guarde a ferramenta e a bateria em locais onde a temperatura pode atingir ou exceder 50°C.**
7. **Não queime a bateria mesmo que esteja estragada ou completamente gasta. A bateria pode explodir no fogo.**
8. **Tenha cuidado para não deixar cair ou dar pancadas na bateria.**
9. **Não utilize uma bateria danificada.**

10. **As baterias de íões de lítio contidas na ferramenta são sujeitas aos requisitos da DGL (Dangerous Goods Legislation - Legislação de bens perigosos).**

Para o transporte comercial, por exemplo, por terceiros ou agentes de expedição, têm de ser observados os requisitos referentes à embalagem e etiquetagem.

Para preparação do artigo a ser expedido, é necessário consultar um perito em materiais perigosos. Tenha ainda em conta a possibilidade de existirem regulamentos nacionais mais detalhados.

Coloque fita-cola ou tape os contactos abertos e embale a bateria de tal forma que não possa mover-se dentro da embalagem.

11. **Siga os regulamentos locais relacionados com a eliminação de baterias.**
12. **Utilize as baterias apenas com os produtos especificados pela Makita.** Instalar as baterias em produtos não-conformes poderá resultar num incêndio, calor excessivo, explosão ou fuga de eletrólito.

GUARDE ESTAS INSTRUÇÕES.

⚠PRECAUÇÃO: Utilize apenas baterias genuínas da Makita. A utilização de baterias não genuínas da Makita ou de baterias que foram alteradas, pode resultar no rebentamento da bateria provocando incêndios, ferimentos pessoais e danos. Além disso, anulará da garantia da Makita no que se refere à ferramenta e ao carregador Makita.

Conselhos para manter a máxima vida útil da bateria

1. Carregue a bateria antes que esteja completamente descarregada. Pare sempre o funcionamento da ferramenta e carregue a bateria quando notar menos poder na ferramenta.
2. Nunca carregue uma bateria completamente carregada. Carregamento excessivo diminui a vida útil da bateria.
3. Carregue a bateria à temperatura ambiente de 10°C – 40°C. Deixe que uma bateria quente arrefeça antes de a carregar.
4. Carregue a bateria se não a utilizar durante um longo período de tempo (mais de seis meses).

DESCRIÇÃO DAS PEÇAS

Modelo DVC150L

(Modelo de filtro de pano (para pó seco e húmido))

- **Fig.1:** 1. Tampa do reservatório 2. Flutuador
3. Gaiola do flutuador 4. Filtro de pano
5. Reservatório

Modelo DVC151L

(Modelo de filtro de pó (para pó seco))

- **Fig.2:** 1. Tampa do reservatório 2. Filtro de pó (HEPA) 3. Amortecedor 4. Pré-filtro
5. Reservatório

DESCRIÇÃO FUNCIONAL

Utilização com potência CA:

⚠AVISO: Antes de ligar o aspirador à tomada, assegure sempre que o aspirador está desligado. Ligar o aspirador à tomada com o interruptor ligado pode causar um arranque imprevisto, resultando em ferimentos pessoais graves.

Ligue a ficha à fonte de alimentação.

- **Fig.3:** 1. Ficha (o formato e o comprimento do cabo podem variar de país para país)

O indicador de potência CA acende quando regular o interruptor do modo de espera para o lado "I".

- **Fig.4:** 1. Indicador de potência CA

NOTA: Mesmo a funcionar no modo de potência CC, o aspirador muda automaticamente para o modo de potência CA quando ligado à tomada.

NOTA: Se retirar a ficha do aspirador da tomada durante o funcionamento com a bateria inserida, o aspirador entra no modo de espera.

Utilização com bateria:

⚠PRECAUÇÃO: Certifique-se sempre de que o aspirador está desligado, que a ficha está retirada da tomada e a bateria foi retirada antes de regular ou verificar qualquer função no aspirador.

Instalação ou remoção da bateria

⚠PRECAUÇÃO: Desligue sempre a ferramenta antes de colocar ou retirar a bateria.

⚠PRECAUÇÃO: Segure firmemente o aspirador e a bateria quando instalar ou remover a bateria. Se não segurar firmemente o aspirador e a bateria pode fazer com que escorreguem das suas mãos resultando em danos no aspirador e na bateria e ferimentos pessoais.

⚠PRECAUÇÃO: Tenha cuidado para não prenda os dedos quando abrir ou fechar a tampa da bateria. Se não o fizer poderá causar lesões físicas.

Para instalar a bateria, solte primeiramente o bloqueio e abra a tampa da bateria. De seguida, insira a bateria.

- **Fig.5:** 1. Bloqueio 2. Tampa da bateria

Alinhe a lingueta na bateria com a ranhura no compartimento e deslize-a para a posição correta. Insira-a completamente até bloquear na posição correta com um pequeno clique. De seguida, bloqueie a tampa da bateria.

- **Fig.6:** 1. Bateria

Para retirar a bateria, deslize-a para fora da ferramenta enquanto desliza o botão na frente da bateria.

⚠️ PRECAUÇÃO: Instale sempre a bateria até ao fim, até deixar de ver o indicador vermelho. Caso contrário, esta poderá cair do aspirador acidentalmente e provocar ferimentos em si mesmo ou em alguém próximo.

⚠️ PRECAUÇÃO: Não instale a bateria à força. Se a bateria não deslizar facilmente é porque não foi colocada corretamente.

NOTA: O aspirador não funciona com apenas uma bateria.

NOTA: Remova a ficha do aspirador do cabo de extensão quando utilizar o aspirador com as baterias.

Indicação da capacidade restante da bateria

Apenas para baterias com indicador

► Fig.7: 1. Luzes indicadoras 2. Botão de verificação

Prima o botão de verificação na bateria para indicar a capacidade restante da bateria. As luzes indicadoras acendem durante alguns segundos.

Luzes indicadoras			Capacidade restante
Aceso	Apagado	A piscar	
■	□	◐	75% a 100%
■ ■ ■ ■	□	□	50% a 75%
■ ■	□ □	□	25% a 50%
■	□ □ □	□	0% a 25%
◐	□ □ □ □	□	Carregar a bateria.
■ ■ □ □	□ □	■ ■	A bateria pode estar avariada.

NOTA: Dependendo das condições de utilização e da temperatura ambiente, a indicação pode ser ligeiramente diferente da capacidade real.

Indicação da capacidade restante da bateria

► Fig.8: 1. Indicador da bateria 2. Botão de verificação

► Fig.9

Prima o botão de verificação para indicar a capacidade restante das baterias. Os indicadores da bateria correspondem a cada bateria.

Estado dos indicadores da bateria			Capacidade restante da bateria
Aceso	Apagado	A piscar	
■	□	◐	50% a 100%
■ ■ ■ ■	□	□	20% a 50%
■ ■	□ □	□	0% a 20%
■	□ □ □	□	Carregar a bateria


Sistema de proteção da ferramenta/bateria

A ferramenta está equipada com um sistema de proteção da ferramenta/bateria. Este sistema corta automaticamente a corrente para o motor para aumentar a vida da ferramenta e da bateria. A ferramenta para automaticamente durante o funcionamento se a ferramenta ou bateria for colocada mediante uma das seguintes condições:

Proteção contra sobrecarga

Quando a ferramenta é utilizada de tal forma que puxa uma corrente demasiado elevada, a ferramenta para automaticamente sem qualquer indicação. Nesta situação, desligue a ferramenta e pare a aplicação que provocou a sobrecarga da ferramenta. Depois, volte a ligar a ferramenta para voltar ao trabalho.

Proteção contra sobreaquecimento

■ Acesa	◐ A piscar
	

Quando a ferramenta está sobreaquecida, a ferramenta para automaticamente e o indicador da bateria pisca durante cerca de 60 segundos. Nesse caso, aguarde até a ferramenta arrefecer antes de a ligar outra vez.

Proteção contra descarga excessiva

Quando a capacidade da bateria é baixa, a ferramenta para automaticamente. Se o produto não funcionar mesmo quando os interruptores são acionados, retire as baterias da ferramenta e carregue-as.

Ação do interruptor

► Fig.10: 1. Interruptor do modo de espera 2. Botão de ligar 3. Botão de ajuste da força de sucção

Para efetuar o arranque do aspirador:



1. Defina o interruptor do modo de espera para o lado "I". O aspirador entra no modo de espera.

2. Pressione o botão de ligar.

Para que o aspirador entre no modo de espera, pressione novamente o botão de ligar.

Para desligar o aspirador, defina o interruptor do modo de espera para o lado "O".

A potência de sucção pode ser ajustada de acordo com a necessidade do seu trabalho.

A potência de sucção pode ser aumentada ao rodar o botão de ajuste da força de sucção do símbolo  para o símbolo .

OBSERVAÇÃO: Defina sempre o interruptor do modo de espera para o lado "O" quando não utilizar o aspirador por um período prolongado. O aspirador consome potência durante o modo de espera.

Paragem da sucção automática durante a operação de sucção a húmido

Apenas para o modelo de filtro de pano

AVISO: Não utilize durante um período prolongado enquanto o flutuador estiver a funcionar. Utilizar o aspirador com o respetivo flutuador em funcionamento por um período prolongado pode causar sobreaquecimento, resultando na deformação do aspirador.

AVISO: Não recolha espuma ou líquido com detergente. Recolher espuma ou líquido com detergente pode causar a saída de espuma da saída de ar antes de o flutuador estar em funcionamento. Continuar a usar o aspirador neste estado poderá causar um choque elétrico e a avaria do aspirador.

A paragem da sucção automática funciona apenas quando utiliza o aspirador com o flutuador e a gaiola do flutuador.

O aspirador possui um mecanismo de flutuador que evita que a água imerja no motor quando recolhe mais do que uma determinada quantidade de água. Quando o reservatório estiver cheio e o aspirador deixar de recolher água, desligue o aspirador e esvazie o reservatório.

Bloquear ou desbloquear o rodízio

► **Fig.11:** 1. Rodízio 2. Alavanca do batente 3. Posição DESBLOQUEADA 4. Posição BLOQUEADA

É conveniente bloquear o rodízio quando guardar o aspirador, parar o trabalho a meio e manter o aspirador imobilizado.

Para operar o batente, mova-o manualmente. Para bloquear o rodízio com um batente, desça a alavanca do batente e o rodízio deixará de rodar. Para soltar o rodízio da posição bloqueada, eleve a alavanca do batente.

NOTA: Quando mover o aspirador, certifique-se de que o rodízio está desbloqueado. Mover o aspirador com o rodízio na posição bloqueada poderá causar danos no rodízio.

Alça de transporte

Quando transportar o aspirador, transporte-o segurando na alça situada na cabeça. A alça é retrátil na cabeça quando não está a ser utilizada.

► **Fig.12**

MONTAGEM

PRECAUÇÃO: Certifique-se sempre de que o aspirador está desligado, que a ficha está retirada da tomada e a bateria retirada antes de executar qualquer trabalho no aspirador.

PRECAUÇÃO: Use sempre máscara anti-pó durante a montagem ou manutenção.

Instalar o filtro de pó (HEPA) e o pré-filtro (para pó seco)

Acessório opcional para o modelo de filtro de pano

PRECAUÇÃO: Nunca recolha água ou outros líquidos ou pós húmidos quando utilizar o filtro de pó. Recolher essas coisas poderá causar a avaria do filtro de pó.

Para utilizar o filtro de pó:

1. Remova a gaiola do flutuador e o flutuador, removendo os parafusos.

► **Fig.13:** 1. Flutuador 2. Gaiola do flutuador

2. Coloque o pré-filtro no reservatório, alinhando as marcações da posição de montagem.

3. Monte o amortecedor no filtro de pó e, de seguida, coloque-os no pré-filtro, alinhando as marcações da posição de montagem.

4. Por último, monte a tampa do reservatório e bloqueie-a.

► **Fig.14:** 1. Tampa do reservatório 2. Filtro de pó (HEPA) 3. Amortecedor 4. Pré-filtro 5. Reservatório 6. Marcação da posição de montagem

OBSERVAÇÃO: Antes de utilizar o filtro de pó, certifique-se de que o pré-filtro e o amortecedor são sempre utilizados em conjunto. Não é permitido instalar unicamente o filtro de pó.

Instalar o filtro de água

Acessório opcional para o modelo de filtro de pano

PRECAUÇÃO: Nunca recolha água ou pó húmido sem o flutuador e o filtro de pano ou o filtro de água.

PRECAUÇÃO: Para recolher pó húmido, certifique-se de que a gaiola do flutuador e o flutuador estão instalados no aspirador.

PRECAUÇÃO: Quando instalar o filtro de água no reservatório, coloque-o firme na abertura do reservatório, de modo a que o gancho do filtro de água engate firmemente na abertura do reservatório e não exista espaço entre o filtro de água e o reservatório.

Para recolher apenas água ou pó húmido, o filtro de água é mais adequado do que o filtro de pano.

Quando instalar o filtro de água, alinhe a respetiva marca da posição de montagem com a marca no reservatório.

► **Fig.15:** 1. Filtro de água 2. Reservatório 3. Marcação da posição de montagem

NOTA: Recomenda-se o uso do filtro de água quando recolher grandes quantidades de água repetidamente. Caso contrário, a capacidade de aspiração poderá ser reduzida no caso do filtro de pano.

Instalar o saco de papel

Acessório opcional

AVISO: Quando utilizar o saco de papel, utilize também o filtro de pano ou o pré-filtro em conjunto pré-instalado no aspirador. Se não utilizar o filtro de pano / pré-filtro em conjunto poderá causar ruído incomum e calor, resultando num incêndio.

PRECAUÇÃO: (Para o modelo de filtro de pano)

- Nunca recolha água ou outros líquidos ou pós húmidos quando utilizar o saco de papel. Recolher essas coisas poderá causar a avaria do saco de papel.
- Antes de utilizar o saco de papel, certifique-se de que o filtro de pó (acessório opcional), o amortecedor (acessório opcional) e o pré-filtro são sempre utilizados em conjunto.

PRECAUÇÃO: (Para o modelo de filtro de pó)

- Antes de utilizar o saco de papel, certifique-se de que o filtro de pó, o amortecedor e o pré-filtro são sempre utilizados em conjunto.

1. Remova o suporte de borracha.
► **Fig.16:** 1. Suporte de borracha
2. Estender o saco de papel.
3. Alinhe a abertura do saco de papel com a abertura de sucção de pó do aspirador.
4. Insira o cartão do saco de papel no suporte, de modo a ficar posicionado na extremidade além da saliência de detenção.
► **Fig.17:** 1. Saco de papel 2. Suporte

Instalar o saco de polietileno

O aspirador também pode ser utilizado sem o saco de polietileno. Contudo, utilizar o saco de polietileno é mais fácil para esvaziar o reservatório sem sujar as mãos.

Espalhe o saco de polietileno no reservatório. Insira-o entre a placa do suporte e o reservatório e puxe-o até à entrada da mangueira.

► **Fig.18:** 1. Placa do suporte 2. Saco de polietileno

Espalhe o saco em redor da parte superior do reservatório, de modo a que o bordo do filtro de pano / pré-filtro possa aderir e segurar o saco firmemente.

► **Fig.19:** 1. Filtro de pano / pré-filtro

NOTA: Pode ser utilizado um saco de polietileno disponível no mercado. Recomenda-se uma espessura de 0,04 mm ou superior.

NOTA: Demasiado pó causará facilmente o rasgo do saco, por isso, não recolha pó para além de metade da capacidade do saco.

Esvaziar o saco de polietileno

AVISO: Assegure sempre que o aspirador está desligado, que a ficha está retirada da tomada e que a bateria é removida antes de esvaziar o saco de polietileno. Se não o fizer poderá causar choque elétrico e lesões físicas graves.

PRECAUÇÃO: Não exerça um grande impacto na gaiola do flutuador e no reservatório. Aplicar um grande impacto poderá causar a deformação e danos nas peças.

PRECAUÇÃO: Esvazie o reservatório pelo menos uma vez por dia, embora isso dependa do volume de pó recolhido no reservatório. Ou, a força de sucção enfraquecerá e o motor poderá avariar.

PRECAUÇÃO: Não agarre o gancho quando esvaziar o reservatório. Agarrar o gancho poderá causar a avaria do gancho.

Retire o gancho e levante a tampa do reservatório. Sacuda o pó do filtro de pano / pré-filtro e retire o saco de polietileno do reservatório.

► **Fig.20**

NOTA: Retire cuidadosamente o saco de polietileno do reservatório, de modo a que o saco de polietileno não fique preso ou seja rasgado pela saliência no interior do reservatório quando esvaziá-lo.

NOTA: Esvazie o saco de polietileno antes de este ficar cheio. Demasiado pó no reservatório poderá causar o rasgo do saco de polietileno.

Instalar a caixa de ferramentas

1. Solte o bloqueio da tampa da bateria e abra-a.
2. Coloque as calhas na caixa de ferramentas ao longo das ranhuras no compartimento.
3. Feche a tampa da bateria e aplique o bloqueio.
► **Fig.21**

A caixa de ferramentas é conveniente para transportar baterias, o cabo de extensão, o tubo ou as bainhas.

► **Fig.22**

Ligar a mangueira

OBSERVAÇÃO: Nunca force a mangueira para curvá-la ou marcá-la. Nunca mova o aspirador através de uma mangueira. Forçar, marcar e puxar a mangueira poderá causar uma avaria ou deformação da mangueira.

OBSERVAÇÃO: Quando recolher grandes resíduos como entalhes de plainas, pós concretos ou similares além de pequenos resíduos, utilize a mangueira com diâmetro interior de 38 mm (acessório opcional). Utilizar a mangueira com 28 mm de diâmetro interior (acessório opcional) poderá causar o enchimento e danos da mangueira.

Insira a mangueira na abertura de montagem do reservatório e gire-a para a direita até bloquear.

► **Fig.23**

MANUTENÇÃO

⚠️ PRECAUÇÃO: Certifique-se sempre de que o aspirador se encontra desligado, que a ficha está retirada da tomada e que a bateria foi retirada antes de executar qualquer inspeção ou manutenção.

OBSERVAÇÃO: Nunca utilize gasolina, benzina, diluente, álcool ou produtos semelhantes. Pode ocorrer a descoloração, deformação ou rachaduras.

Para manter a SEGURANÇA e a FIABILIDADE do produto, as reparações e qualquer outra manutenção ou ajuste devem ser levados a cabo pelos centros de assistência Makita autorizados ou pelos centros de assistência de fábrica, utilizando sempre peças de substituição Makita.

Armazenamento do cabo da fonte de alimentação

Pode enrolar o cabo da fonte de alimentação em volta da caixa de ferramentas.

► Fig.24

Armazenamento de acessórios

Os tubos podem ser colocados no suporte do tubo quando não utilizar o aspirador por um período curto.

► Fig.25

► Fig.26

A mangueira pode ser armazenada em redor da ferramenta através da ligação de cada uma das extremidades.

► Fig.27

Limpar o filtro de pano

Apenas para o modelo de filtro de pano

O filtro de pano entupido causa o fraco desempenho da sucção.

Limpe o filtro de pano esporadicamente.

Para remover pó ou partículas aderentes ao filtro de pano, sacuda rapidamente o fundo da estrutura diversas vezes.

► Fig.28: 1. Filtro de pano

Limpar o filtro de pó (HEPA) e o pré-filtro

Apenas para o modelo de filtro de pó

O filtro de pó, o pré-filtro e o amortecedor entupidos causam o fraco desempenho da sucção. Limpe os filtros e os amortecedores esporadicamente.

Para remover pó ou partículas aderentes aos filtros, sacuda rapidamente o fundo da estrutura diversas vezes.

► Fig.29

Lave ocasionalmente o filtro de pó em água, enxagúe-o e deixe-o secar bem à sombra antes de usar. Nunca lave os filtros numa máquina de lavar roupa.

NOTA: Não esfregue ou arranhe o filtro de pó, o pré-filtro ou o amortecedor com objetos duros, tais como uma escova e uma palheta.

NOTA: Os filtros sofrem desgaste com o tempo. Recomena-se ter algumas peças sobresselentes para estes.

ACESSÓRIOS OPCIONAIS

⚠️ PRECAUÇÃO: Estes acessórios ou peças são recomendados para utilização com a ferramenta Makita especificada neste manual. A utilização de outros acessórios ou peças pode ser perigosa para as pessoas. Utilize apenas acessórios ou peças para os fins indicados.

Se necessitar de informações adicionais relativas a estes acessórios, solicite-as ao seu centro de assistência Makita.

- Mangueira
- Bainha frontal (22, 24, 38)
- Tubo reto
- Bocal para cantos
- Escova redonda
- Filtro de pó, HEPA (para pó seco)
- Amortecedor
- Pré-filtro
- Conjunto do bocal
- Tubo curvo
- Saco de polietileno
- Saco de papel
- Conjunto do suporte
- Filtro de água (opção para o modelo de filtro de pano)
- Bateria e carregador genuínos da Makita

NOTA: Alguns itens da lista podem estar incluídos na embalagem da ferramenta como acessórios padrão. Eles podem variar de país para país.

ADVARSEL

Denne maskine er ikke beregnet til brug af personer, (herunder børn) med nedsatte fysiske, sensoriske eller mentale evner eller manglende erfaring og viden.

Børn skal overvåges for at sikre, at de ikke leger med maskinen.

SPECIFIKATIONER

Model:		DVC150L	DVC151L
Standardfiltertype		Tekstilfilter (til tørt og vådt støv)	Pulverfilter (til tørt støv)
Volumenstrøm (Luft)	DC betjening (med BL1850B, ø38 mm x 2,5 m slange)	2,1 m ³ /min	
	AC betjening (med ø38 mm x 2,5 m slange)	3,6 m ³ /min	
Vakuüm	DC betjening (med BL1850B, ø38 mm x 2,5 m slange)	9,0 kPa	
	AC betjening (med ø38 mm x 2,5 m slange)	24,0 kPa	
Opsamlingskapacitet	Støv	15 L	
	Vand	12 L	-
Dimensioner (L x B x H)		366 mm x 334 mm x 421 mm	
Nominel spænding		DC 36 V	
Vægt		8,9 - 9,6 kg	9,6 - 10,3 kg
Sikkerhedsklasse		□/II	

- På grund af vores kontinuerlige forsknings- og udviklingsprogrammer kan hosstående specifikationer blive ændret uden varsel.
- Specifikationer og akku kan variere fra land til land.
- Vægten inkluderer akku(er), men ikke tilbehør. Vægten af den letteste og tungeste kombination af apparat og akku(er) er vist i tabellen.
- Til vådt støv kræves flyderen og vandfilteret eller tekstilfilteret.

Anvendelig akku og oplader

Akku	BL1815N / BL1820 / BL1820B / BL1830 / BL1830B / BL1840 / BL1840B / BL1850 / BL1850B / BL1860B
Oplader	DC18RC / DC18RD / DC18RE / DC18SD / DC18SE / DC18SF

- Nogle af de akkuer og opladere, der er angivet ovenfor, er muligvis ikke tilgængelige, afhængigt af hvilket område du bor i.

⚠ ADVARSEL: Brug kun de akkuer og opladere, der er angivet ovenfor. Brug af andre akkuer og opladere kan medføre personskade og/eller brand.

Symboler

Følgende viser de symboler, der anvendes til udstyret. Vær sikker på, at De forstår betydningen af symbolerne før brugen.



Læs betjeningsvejledningen.



Udvis særlig forsigtighed og opmærksomhed.



Advarsel! Støvsugerens indeholder muligvis farligt støv.



Stå aldrig på støvsugerens.



Støvklasse L (let). Støvsugerne kan opsure støvklasse L. Følg lovgivningen i dit land vedrørende støv samt sundhed og sikkerhed på arbejdspladsen.



DOBBELT ISOLERING



Kun for landene i EU
Bortskaf ikke elektrisk udstyr eller batteripakken sammen med husholdningsaffald! I overensstemmelse med det europæiske direktiv om bortskaffelse af affald fra elektriske og elektroniske produkter samt batterier og akkuer, samt bortskaffelse af batterier og akkuer, og deres anvendelse i overensstemmelse med nationale love skal elektrisk udstyr samt batterier og batteripakke(r), der har nået udløbet af deres levetid, indsamles separat og returneres til en miljøvenlig genanvendelsesfacilitet.

Tilsigtet anvendelse

Maskinen er egnet til kommerciel brug, for eksempel i hoteller, skoler, hospitaler, fabrikker, butikker, kontorer og udlejningsvirksomheder.

DVC150L

Maskinen er beregnet til opsugning af både vådt og tørt støv.

DVC151L

Maskinen er kun beregnet til opsugning af tørt støv.

Strømforsyning

Maskinen må kun tilsluttes en strømforsyning med samme spænding som angivet på typeskiltet og kan kun anvendes på enfaset vekselstrømforsyning. Den er dobbeltisoleret og kan derfor også tilsluttes netstik uden jordforbindelse.

Lyd

Det typiske A-vægtede støjniveau bestemt i overensstemmelse med EN60335-2-69:

Model DVC150L

Lydtrykniveau (L_{pA}): 75 dB (A)

Usikkerhed (K): 2,5 dB (A)

Model DVC151L

Lydtrykniveau (L_{pA}): 75 dB (A)

Usikkerhed (K): 2,5 dB (A)

Støjniveauet under arbejdet kan overskride 80 dB (A).

BEMÆRK: De(n) angivne støjemissionsværdi(er) er målt i overensstemmelse med en standardtestmetode og kan anvendes til at sammenligne en maskine med en anden.

BEMÆRK: De(n) angivne støjemissionsværdi(er) kan også anvendes i en præliminær eksponeringsvurdering.

⚠ ADVARSEL: Bør høreværn.

⚠ ADVARSEL: Støjemissionen under den faktiske anvendelse af maskinen kan være forskellig fra de(n) angivne værdi(er), afhængigt af den måde hvorpå maskinen anvendes, især den type arbejdssemne der behandles.

⚠ ADVARSEL: Sørg for at identificere de sikkerhedsforskrifter til beskyttelse af operatøren, som er baseret på en vurdering af eksponering under de faktiske brugsforhold (med hensyntagen til alle dele i brugscyklussen, f.eks. de gange, hvor maskinen er slukket, og når den kører i tomgang i tilgift til afbrydertiden).

Vibration

Vibrationens totalværdi (tre-aksial vektorsum) bestemt i overensstemmelse med EN60335-2-69:

Vibrationsafgivelse ($a_{h,M}$): 2,5 m/s² eller mindre
Usikkerhed (K): 1,5 m/s²

BEMÆRK: De(n) angivne totalværdi(er) for vibration er målt i overensstemmelse med en standardtestmetode og kan anvendes til at sammenligne en maskine med en anden.

BEMÆRK: De(n) angivne totalværdi(er) for vibration kan også anvendes i en præliminær eksponeringsvurdering.

⚠ ADVARSEL: Vibrationsemmissionen under den faktiske anvendelse af maskinen kan være forskellig fra de(n) angivne værdi(er), afhængigt af den måde hvorpå maskinen anvendes, især den type arbejdssemne der behandles.

⚠ ADVARSEL: Sørg for at identificere de sikkerhedsforskrifter til beskyttelse af operatøren, som er baseret på en vurdering af eksponering under de faktiske brugsforhold (med hensyntagen til alle dele i brugscyklussen, f.eks. de gange, hvor maskinen er slukket, og når den kører i tomgang i tilgift til afbrydertiden).

EU-overensstemmelseserklæring

Kun for lande i Europa

EU-overensstemmelseserklæringen er inkluderet som Bilag A i denne brugsanvisning.

SIKKERHEDSADVARSLER

Sikkerhedsadvarsler for støvsuger med eller uden ledning

⚠ ADVARSEL: VIGTIGT! LÆS OMHYGGELIGT alle sikkerhedsadvarsler og alle instruktioner **FØR BRUGEN**. Hvis advarslerne og instruktionerne ikke overholdes, kan det medføre elektrisk stød, brand og/eller alvorlig personskade.

1. Før brugen skal du sørge for, at denne støvsuger anvendes af personer, der er tilstrækkeligt oplært i brugen af støvsugeren.
2. Sluk med det samme, hvis der kommer skum/væske ud.
3. Rengør jævnligt enheden til begrænsning af vandstanden, og undersøg den for tegn på skader.
4. Anvend ikke støvsugeren uden filteret. Udskift øjeblikkeligt et beskadiget filter.
5. **BRUG AF FORLÆNGERLEDNING.** Ved brug af forlængerledning på grund af den store afstand til strømkilden, så forsøg at bruge en ledning, der er tilstrækkelig tyk, men ikke for lang, da støvsugerens ydeevne kan blive påvirket negativt. Brug en forlængerledning, der er beregnet til udendørs brug, når maskinen anvendes udendørs.
6. **SPÆNDINGSADVARSEL:** Før tilslutning af støvsugeren til en strømkilde (stikkontakt, udtag mv.) så sørg for, at forsyningsspændingen er den samme som den, der er angivet på støvsugerens typeskilt. En strømkilde med en spænding, der er højere end den, der er angivet for støvsugeren, kan resultere i **ALVORLIG PERSONSKADE** såvel som beskadigelse af støvsugeren. I tvivlstilfælde, **TILSLUT IKKE STØVSUGEREN.** Brug af en strømkilde med spænding, der er lavere end typeskiltets mærkedata, er skadelig for motoren.
7. **UNDGÅ, AT MASKINEN STARTER VED ET UHELD.** Sørg for, at kontakten er **SLUKKET** ved tilslutning af maskinen.
8. Forsøg ikke at opsuge brændbare materialer, fyrværkeri, tændte cigaretter, varm aske, varme metalspåner, skarpe genstande som f.eks. barberblade, nåle, glasskår eller lignende.
9. **BRUG ALDRIG STØVSUGEREN I NÆRHEDEN AF BENZIN, GAS, MALING, LIM ELLER ANDRE STÆRKT EKSPLOSIONSFARLIGE STOFFER.** Afbryderen udsender gnister, når der tændes eller slukkes. Det samme gør motorkommutatoren under brugen. Det kan medføre farlig eksplosion.
10. Støvsug aldrig giftstoffer, kræftfremkaldende stoffer, brændbare stoffer eller andre farlige materialer som f.eks. asbest, arsenik, barium, beryllium, bly, insektmidler eller andre sundhedsskadelige materialer.
11. Brug aldrig støvsugeren udenfor i regnvej.
12. Brug ikke i nærheden af varmekilder (komfurer og lignende).
13. **BESKYTTELSE MOD ELEKTRISK STØD.** Undgå kropskontakt med jordforbundne overflader. For eksempel rør, radiatorer, mikrobølgeovne og køleskabskabe.
14. Bloker ikke ventilationsåbningerne til afkøling. Disse ventilationsåbninger muliggør afkøling af motoren. Blokering skal undgås omhyggeligt, da motoren ellers vil brænde sammen på grund af manglende ventilation.
15. Oprethold til enhver tid korrekt fodfæste og balance.
16. **OVERBELAST IKKE LEDNINGEN.** Bær aldrig støvsugeren i ledningen eller træk i den for at tage den ud af stikkontakten. Hold ledningen væk fra varme, olie og skarpe kanter. Kontroller støvsugerledningerne med jævne mellemrum. Hvis de er blevet beskadiget, skal de repareres på et autoriseret serviceværksted. Kontroller forlængerledninger regelmæssigt, og udskift dem eventuelt, hvis de er blevet beskadiget.
17. Undlad at sammenfolde, rykke i eller træde på slangen.
18. Stop med det samme støvsugeren, hvis du bliver opmærksom på dårlig ydelse eller noget unormalt under brugen.
19. **FRAKOBL STØVSUGEREN.** Når maskinen ikke er i brug, før service, og når der skiftes tilbehør.
20. Rengør og servicer støvsugeren umiddelbart efter hver brug for at holde den i tiptop funktionstilstand.
21. **VEDLIGEHOLD STØVSUGEREN OMHYGGELIGT.** Hold støvsugeren ren for at opnå bedre og sikrere ydelse. Følg instruktionerne for udskiftning af tilbehør. Hold håndtagene tørre, rene og fri for olie og fedt.
22. **KONTROLLER BESKADIGEDE DELE.** Før støvsugeren bruges igen, skal en beskyttelseskærm eller anden del, som er beskadiget, kontrolleres omhyggeligt for at fastslå, om den vil fungere korrekt og udføre sin tilsigtede funktion. Kontroller for justeringen af bevægelige dele, binding af bevægelige dele, brud på dele, montering og alle andre forhold, der kan påvirke funktionaliteten. En beskyttelseskærm eller anden del, der er beskadiget, skal repareres korrekt eller udskiftes af et autoriseret servicecenter, medmindre andet fremgår andetsteds i denne brugsanvisning. Få defekte afbrydere udskiftet hos et autoriseret servicecenter. Brug ikke støvsugeren, hvis afbryderen ikke kan tænde eller slukke for den.
23. **RESERVEDELE.** Brug kun identiske reservedele i forbindelse med service.
24. **OPBEVAR STØVSUGEREN, NÅR DEN IKKE BRUGES.** Når maskinen ikke er i brug, skal den opbevares indendørs.
25. Våde filtre og den indvendige del af væskebeholderen skal tørres før opbevaring.
26. Behandl din støvsuger godt. Hårdhændet behandling kan medføre, at selv den mest solidt byggede støvsuger går i stykker.

27. **Forsøg ikke at rengøre udvendigt eller indvendigt med benzen, fortynder eller kemiske rengøringsmidler.** Dette kan medføre revner og misfarvning.
28. **Brug ikke støvsugeren i et aflukket lokale, hvor der afgives brændbare, eksplosive eller giftige dampe fra oliebaseret maling, malingsfortynder, benzin, visse mølmidler osv., eller på steder med brandfarligt støv.**
29. **Efterlad ikke støvsugerens ledning på gulvet, når du er færdig med en rengøringsopgave.** Den kan udgøre en faldrisiko eller kan beskadige støvsugeren.
30. **Anvend ikke denne eller andre maskiner under påvirkning af narkotika eller alkohol.**
31. **Anvend som grundlæggende sikkerhedsregel beskyttelsesbriller eller sikkerhedsbriller med sideværn.**
32. **Brug en støvmaske i støvede arbejdsforhold.**
33. **Denne maskine er ikke beregnet til brug af personer, herunder børn, med reducerede fysiske, sensoriske eller mentale færdigheder eller manglende erfaring og viden.**
34. **Små børn skal overvåges for at sikre, at de ikke leger med støvsugeren.**
35. **Hånder aldrig forbindelsesledningens stik eller støvsugeren med våde hænder.**
36. **Vær ekstremt forsigtig ved rengøring på trapper.**
37. **Anvend ikke støvsugeren som taburet eller arbejdsbænk.** Maskinen kan falde ned og forårsage personskade.

Brug og vedligeholdelse af batteriet

1. **Oplad kun med den oplader, som producenten angiver.** En oplader, der passer til én type batteri, kan forårsage brand, hvis den anvendes med et andet batteri.
2. **Brug kun el-værktøjer sammen med de tilhørende batteripakker.** Brug af andre batteripakker kan forårsage personskade og brand.
3. **Når batteripakker ikke anvendes, skal de holdes borte fra andre metalgenstande som papirclips, mønter, nøgler, søm, skruer og andre små metalgenstande, der kan skabe forbindelse mellem terminalerne.** Hvis batteriets terminaler kortsluttes, kan det forårsage brand.
4. **I tilfælde af misbrug kan der sprøjte væske ud fra batteriet.** Undgå kontakt. Skyl med vand, hvis De kommer i kontakt med væsken. **Søg læge, hvis De får væske i øjet.** Væske, der sprøjter ud fra batteriet, kan medføre irritation eller forbrændinger.
5. **Undlad at bruge en akku eller maskine, der er beskadiget eller ændret.** Beskadigede eller ændrede batterier kan fungere uforudsigeligt og medføre brand, eksplosion eller risiko for personskade.
6. **Undlad at udsætte en akku eller maskine for brand eller høje temperaturer.** Udsættelse for brand eller temperaturer på over 130 °C kan medføre eksplosion.

7. **Følg alle instruktioner vedrørende opladning, og undlad at oplade akkuen eller maskinen uden for det temperaturinterval, der er angivet i instruktionerne.** Opladning, der udføres forkert eller ved temperaturer uden for det angivne temperaturinterval, kan beskadige batteriet og medføre øget risiko for brand.

GEM DENNE BRUGSANVISNING.

⚠ ADVARSEL: LAD IKKE bekvemmelighed eller kendskab til produktet (opnået gennem gentagen brug) forhindre, at sikkerhedsforskrifterne for produktet nøje overholdes. MISBRUG eller forsømmelse af at følge de i denne brugsvejledning givne sikkerhedsforskrifter kan føre til, at De kommer alvorligt til skade.

Vigtige sikkerhedsinstruktioner for akkuen

1. **Læs alle instruktioner og advarselmærkater på (1) akku-opladeren, (2) akkuen og (3) produktet, som anvender akku.**
2. **Lad være med at skille akkuen ad.**
3. **Hold straks op med anvendelsen, hvis brugstiden er blevet stærkt afkortet.** Fortsat anvendelse kan resultere i risiko for overophedning, forbrændinger og endog eksplosion.
4. **Hvis De har fået elektrolytvæske i øjnene, skal De straks skylle den ud med rent vand og derefter øjeblikkeligt søge lægehjælp.** I modsat fald kan De miste synet.
5. **Vær påpasselig med ikke at komme til at kortslutte akkuen:**
 - (1) **Rør ikke ved terminalerne med noget ledende materiale.**
 - (2) **Undgå at opbevare akkuen i en beholder sammen med andre genstande af metal, for eksempel søm, mønter og lignende.**
 - (3) **Udsæt ikke akkuen for vand eller regn.** Kortslutning af akkuen kan forårsage en kraftig øgning af strømmen, overophedning, mulige forbrændinger og endog værktøjstop.
6. **Opbevar ikke værktøjet og akkuen på et sted, hvor temperaturen kan nå eller overstige 50 °C.**
7. **Lad være med at brænde akkuen, selv ikke i tilfælde, hvor den har lidt alvorlig skade eller er fuldstændig udtjent.** Akkuen kan eksplodere, hvis man forsøger at brænde den.
8. **Lad være med at brænde akkuen eller udsætte den for støv.**
9. **Anvend ikke en beskadiget akku.**
10. **De indbyggede litium-ion-batterier er underlagt lovkrav vedrørende farligt gods.** Ved kommerciel transport, f.eks. af tredjeparts transportselskaber, skal særlige krav til forpakning og mærkning overholdes. Ved forberedelse af udstyret til forsendelse skal du kontakte en ekspert i farligt gods. Overhold også eventuel mere detaljeret national lovgivning. Tape eller tildæk åbne kontakter, og pak batteriet på en måde, så det ikke kan flytte sig rundt i pakningen.

- Følg de lokale love vedrørende bortskaffelsen af batterier.
- Brug kun batterierne med de produkter, som Makita specificerer. Hvis batterierne installeres i ikke-kompatible produkter, kan det medføre brand, kraftig varme, eksplosion eller udsivning af elektrolyt.

GEM DENNE BRUGSANVISNING.

⚠FORSIGTIG: Brug kun originale batterier fra Makita. Brug af uoriginale Makita-batterier, eller batterier som er blevet ændret, kan muligvis medføre brud på batteriet, hvilket kan forårsage brand, personskade eller beskadigelse. Det ugyldiggør også Makita-garantien for Makita-maskinen og opladeren.

Tips til opnåelse af maksimal akku-levetid

- Oplad akkuen, inden den er helt afladet. Stop altid værktøjet, og oplad akkuen, hvis De bemærker, at værktøjeffekten er aftagende.
- Genoplad aldrig en fuldt opladet akku. Overopladning vil afkorte akkuens levetid.
- Oplad akkuen ved stuetemperatur ved 10 °C - 40 °C. Lad altid en varm akku få tid til at køle af, inden den oplades.
- Oplad akkuen, hvis De ikke skal bruge den i længere tid (mere end seks måneder).

BESKRIVELSE AF DELENE

Model DVC150L

(Model med tekstfilter (til tørt og vådt støv))

- **Fig.1:** 1. Tankdæksel 2. Flyder 3. Flyderbur
4. Tekstfilter 5. Tank

Model DVC151L

(Model med pulverfilter (til tørt støv))

- **Fig.2:** 1. Tankdæksel 2. Pulverfilter (HEPA)
3. Dæmper 4. Forfilter 5. Tank

FUNKTIONSBESKRIVELSE

Anvendes med vekselstrøm:

⚠ADVARSEL: Sørg altid for, at der er slukket for støvsugeren, før støvsugeren tilsluttes stikkontakten. Tilslutning af støvsugeren med en tændt kontakt kan forårsage en utilsigtet start, der kan medføre alvorlig personskade.

Sæt stikket i stikkontakten.

- **Fig.3:** 1. Stik (Udformningen og ledningslængden kan variere fra land til land)

Vekselstrømsindikatoren lyser ved indstilling af standby-kontakten i positionen "I".

- **Fig.4:** 1. Vekselstrømsindikator

BEMÆRK: Selv under drift i DC-strømtilstand ændrer støvsugeren automatisk til vekselstrømtilstand, når den tilsluttes.

BEMÆRK: Hvis støvsugeren tages ud af stikkontakten under drift med batteriet indsat, går støvsugeren i standby tilstand.

Brug med batteri:

⚠FORSIGTIG: Sørg altid for, at støvsugeren er slukket, at stikket er taget ud, og at akkuen er blevet fjernet før justering eller kontrol af funktioner på støvsugeren.

Isætning eller fjernelse af akkuen

⚠FORSIGTIG: Sluk altid for maskinen, før montering eller afmontering af akkuen.

⚠FORSIGTIG: Hold støvsugeren og akkuen fast ved montering eller afmontering af akkuen. Hvis du ikke holder fast på støvsugeren og akkuen, kan de glide ud af hænderne på dig og medføre beskadigelse af støvsugeren, akkuen og personskade.

⚠FORSIGTIG: Pas på ikke at få fingrene i klemme, når du åbner eller lukker batteridækslet. Hvis du ikke gør dette, kan det medføre personskade.

For at installere akkuen skal du først udløse låsen og derefter åbne batteridækslet. Indsæt derefter akkuen.

- **Fig.5:** 1. Lås 2. Batteridæksel

Juster tungen på akkuen med rillen i huset, og skub den på plads. Sæt den hele vejen ind, indtil den låses på plads med et lille klik. Lås derefter batteridækslet.

- **Fig.6:** 1. Akku

Akkuen fjernes ved at trække den ud af maskinen, mens der skydes på knappen på forsiden af akkuen.

⚠FORSIGTIG: Monter altid akkuen helt, indtil den røde indikator ikke længere er synlig. Hvis dette ikke gøres, kan den falde ud af støvsugeren ved et uheld og forårsage skade på dig selv eller andre omkring dig.

⚠FORSIGTIG: Brug ikke magt ved montering af akkuen. Hvis akkuen ikke glider på plads uden problemer, betyder det, at den ikke sættes i på korrekt vis.

BEMÆRK: Støvsuger fungerer ikke med kun én akku.

BEMÆRK: Afmonter støvsugerens stik fra forlængerledningen ved brug af støvsugerens med batterierne.

Indikation af den resterende batteriladning

Kun til akkuer med indikatoren

► **Fig.7:** 1. Indikatorlamper 2. Kontrolknap

Tryk på kontrolknappen på akkuen for at få vist den resterende batteriladning. Indikatorlampen lyser i nogle sekunder.

Indikatorlamper			Resterende ladning	
Tændt	Slukket	Blinker		
■	□	◐	75% til 100%	
■ ■ ■ ■				
■ ■ ■ □				50% til 75%
■ ■ □ □				
■ □ □ □			25% til 50%	
■ □ □ □				0% til 25%
◐ □ □ □				
	□ □ □ □		Genoplad batteriet.	
■ ■ □ □			Der er muligvis fejl i batteriet.	
□ □ ■ ■				

BEMÆRK: Afhængigt af brugsforholdene og den omgivende temperatur kan indikationen afvige en smule fra den faktiske ladning.

Indikation af den resterende batteriladning

► **Fig.8:** 1. Batteriindikator 2. Kontrolknap

► **Fig.9**

Tryk på kontrolknappen for at få vist de resterende batteriladning. Batteriindikatorerne svarer til hvert enkelt batteri.

Status på batteriindikator			Resterende batteriladning
Tændt	Slukket	Blinker	
■	□	◐	50% til 100%
			20% til 50%
			0% til 20%
			Genoplad batteriet

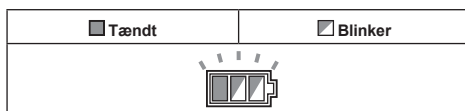
Beskyttelsessystem til værktøj/batteri

Maskinen er udstyret med et beskyttelsessystem til maskinen/batteriet. Dette system afbryder automatisk strømmen til motoren for at forlænge maskinens og batteriets levetid. Maskinen stopper automatisk under brugen, hvis maskinen eller batteriet udsættes for et af følgende forhold:

Overbelastningsbeskyttelse

Når værktøjet betjenes på en måde, der får den til at bruge unormalt meget strøm, stopper værktøjet automatisk uden indikation. Sluk i så fald for værktøjet, og stop den anvendelse, der bevirkede, at værktøjet blev overbelastet. Tænd derefter for værktøjet for at starte igen.

Beskyttelse mod overophedning



Når værktøjet bliver overophedet, stopper den automatisk, og batteriindikatoren blinker i cirka 60 sekunder. Lad i så fald værktøjet køle af, før der tændes for værktøjet igen.

Beskyttelse mod afladning

Når batteriladningen bliver for lav, stopper værktøjet automatisk. Hvis produktet ikke fungerer, selvom kontakterne betjenes, skal De tage batterierne ud af værktøjet og lade batterierne op.

Afbryderbetjening

► **Fig.10:** 1. Standby-kontakt 2. Afbryderknap 3. Knap til justering af sugestykke

Sådan startes støvsugerens:

1. Sæt standby-kontakten til "I"-siden. Støvsugerens går i standbytilstand.
2. Tryk på afbryderknappen.

Tryk på afbryderknappen igen for at få støvsugerens til at gå i standbytilstand.

Sæt standby-kontakten til "O"-siden for at slukke for støvsugerens.

Sugestykken kan justeres afhængigt af dit behov. Sugestykken kan øges ved at dreje knappen til justering af sugestykke fra -symbolet til -symbolet.

BEMÆRKNING: Sæt altid standby-kontakten til "O"-siden, når støvsugerens ikke skal anvendes i længere tid. Støvsugerens bruger strøm i standbytilstand.

Automatisk sugestop under våd sugefunktion

Kun for modellen med tekstilfilter

⚠ ADVARSEL: Brug ikke i længere tid, mens flyderen fungerer. Brug af støvsugeren i længere tid, mens flyderen fungerer, kan medføre overophedning, så støvsugeren bliver deformet.

⚠ ADVARSEL: Undlad at suge skum eller væske med sæbe op. Opsugning af skum eller væske med sæbe kan medføre, at der kommer skum ud af luftudgangen, før flyderen fungerer. Fortsat brug i denne tilstand kan medføre elektrisk stød, og at støvsugeren går i stykker.

Automatisk sugestop fungerer kun, når den bruges med flyderen og flyderburet.

Støvsugeren har en flydermekanisme, der forhindrer, at vand oversvømmer motoren, når der opsuges mere end en vis mængde vand. Når tanken er fuld, og støvsugeren ikke længere suger vand op, skal du slukke for støvsugeren og tømme tanken.

Låsning eller oplåsning af hjulet

► **Fig.11:** 1. Hjul 2. Stopperhåndtag 3. FRI position 4. LÅST position

Det er praktisk at låse hjulet, når du gemmer støvsugeren af vejen, stopper arbejdet undervejs og holder støvsugeren stille.

Flyt stopperen med hånden for at betjene den. Hvis du vil låse hjulet med en stopper, skal du sænke stopperhåndtaget, så hjulet ikke længere drejer. Når du vil frigøre hjulet fra den låste position, skal du løfte stopperhåndtaget.

BEMÆRK: Sørg for, at hjulet ikke er låst, når du flytter støvsugeren. Hvis støvsugeren flyttes med hjulet i den låste position, kan det medføre beskadigelse af hjulet.

Bærehåndtag

Når du bærer støvsugeren, skal du bære den ved at holde i håndtaget oven på den. Håndtaget kan sættes tilbage i hovedet, når det ikke er i brug.

► **Fig.12**

SAMLING

⚠ FORSIGTIG: Sørg altid for, at støvsugeren er slukket, at stikket er taget ud af stikkontakten og at akkuen er blevet fjernet, før der udføres noget arbejde på støvsugeren.

⚠ FORSIGTIG: Bær altid støvmaske under samling eller vedligeholdelse.

Montering af pulverfilter (HEPA) og forfilter (til tørt støv)

Ekstraudstyr til modellen med tekstilfilter

⚠ FORSIGTIG: Opsug aldrig vand eller andre væsker eller vådt støv, når du bruger pulverfilteret. Opsugning af disse kan få pulverfilteret til at gå i stykker.

Sådan bruges pulverfilteret:

1. Fjern flyderburet og flyderen ved at fjerne boltene.

► **Fig.13:** 1. Flyder 2. Flyderbur

2. Sæt forfilteret i tanken, idet du justerer monteringspositionsmærkerne.

3. Monter dæmperen på pulverfilteret, og placer dem i forfilteret, idet du justerer monteringspositionsmærkerne.

4. Monter til sidst tankdækslet, og lås det fast.

► **Fig.14:** 1. Tankdæksel 2. Pulverfilter (HEPA) 3. Dæmper 4. Forfilter 5. Tank 6. Monteringspositionsmærke

BEMÆRKNING: Før brug af pulverfilteret skal du sikre dig, at forfilteret og dæmperen altid bruges sammen. Du må ikke nøjes med kun at montere pulverfilteret.

Montering af vandfilteret

Ekstraudstyr til modellen med tekstilfilter

⚠ FORSIGTIG: Opsug aldrig vand eller vådt støv uden flyderen og tekstilfilteret eller vandfilteret.

⚠ FORSIGTIG: Ved opsugning af vådt støv skal du sikre dig, at flyderburet og flyderen er monteret på støvsugeren.

⚠ FORSIGTIG: Ved montering af vandfilteret på tanken skal du sætte det stramt på tankens åbning, så krogn på vandfilteret griber fast i tankens åbning, og der ikke er noget mellemrum mellem vandfilteret og tanken.

Hvis du kun vil suge vand eller vådt støv op, er vandfilteret bedre egnet til formålet end tekstilfilteret. Ved montering af vandfilteret skal du justere det monteringspositionsmærke i forhold til mærket på tanken.

► **Fig.15:** 1. Vandfilter 2. Tank 3. Monteringspositionsmærke

BEMÆRK: Det anbefales at bruge et vandfilter, hvis du ofte suger store mængder vand op. Ellers kan sugeevnen reduceres, hvis der anvendes et tekstilfilter.

Montering af papirpakken

Ekstraudstyr

⚠ ADVARSEL: Ved brug af papirpakken skal du også bruge tekstilfilteret eller forfilteret sammen, der er forudinstalleret på støvsugeren. Hvis du ikke bruger tekstilfilteret/forfilteret sammen, kan det medføre usædvanlig støj og varme og forårsage brand.

⚠️FORSIGTIG: (For modellen med tekstfilter)

- Opsug aldrig vand eller andre væsker eller vådt støv, når du bruger papirpakken. Opsugning af disse kan få papirpakken til at gå i stykker.
- Før brug af papirpakken skal du sikre dig, at pulverfilteret (ekstraudstyr), dæmperen (ekstraudstyr) og forfilteret altid bruges sammen.

⚠️FORSIGTIG: (For modellen med pulverfilter)

- Før brug af papirpakken skal du sikre dig, at pulverfilteret, dæmperen og forfilteret altid bruges sammen.

1. Fjern gummiholderen.

► Fig.16: 1. Gummiholder

2. Udvid papirpakken.

3. Juster åbningen på papirpakken i forhold til støvsugningsåbningen på støvsugeren.

4. Sæt pappdelen på papirpakken på holderen, så den er placeret på enden bag ved stopperfremspringet.

► Fig.17: 1. Papirpakke 2. Holder

Montering af polyætylenpose

Støvsugeren kan også bruges uden polyætylenpose. Men hvis der bruges en polyætylenpose, er det lettere at tømme tanken uden at få snavsede hænder.

Spred polyætylenposen ud i tanken. Indsæt den mellem holderpladen og tanken, og træk den til slangeåbningen.

► Fig.18: 1. Holderplade 2. Polyætylenpose

Spred posen omkring toppen af tanken, så kanten på tekstilfilteret/forfilteret kan gribe fat i og holde posen sikkert.

► Fig.19: 1. Tekstilfilter/forfilter

BEMÆRK: Der kan bruges en polyætylenpose, som er tilgængelig på markedet. Det anbefales at bruge en, der er 0,04 mm tyk eller tykkere.

BEMÆRK: For meget støv kan nemt få posen til at gå i stykker, så sug ikke mere støv op end halvdelen af posens kapacitet.

Tømning af polyætylenposen

⚠️ADVARSEL: Sørg altid for, at støvsugeren er slukket, at stikket er taget ud af stikkontakten og at akkuen er blevet fjernet, før du tømmer polyætylenposen. Hvis du ikke gør dette, kan det medføre elektrisk stød og alvorlig personskade.

⚠️FORSIGTIG: Slå ikke hårdt imod flyderburet og tanken. Hårde stød kan medføre deformation og beskadigelse af delene.

⚠️FORSIGTIG: Tøm tanken mindst én gang om dagen, selvom dette afhænger af mængden af opsugt støv i tanken. Ellers reduceres sugestyren, og motoren kan gå i stykker.

⚠️FORSIGTIG: Tag ikke fat i krogen, mens du tømmer tanken. Hvis du griber fat i krogen, kan det medføre, at krogen knækker.

Frigør krogen, og løft op i tankdækslet.

Ryst støvet af tekstilfilteret/forfilteret, og tag derefter polyætylenposen ud af tanken.

► Fig.20

BEMÆRK: Tag forsigtigt polyætylenposen ud af tanken, så polyætylenposen ikke kan gribes fat i og blive revet af fremspringet inde i tanken, når den tømmes.

BEMÆRK: Tøm polyætylenposen, før den bliver fuld. For meget støv i tanken kan medføre, at polyætylenposen går i stykker.

Montering af værktøjskassen

1. Frigør låsen på batteridækslet, og åbn batteridækslet.

2. Sæt skinnerne på værktøjskassen langs rillerne i huset.

3. Luk batteridækslet, og fastgør låsen.

► Fig.21

Værktøjskassen er praktisk til at bære batterier, forlængerledning, rør eller manchetter.

► Fig.22

Tilslutning af slangen

BEMÆRKNING: Brug aldrig magt på slangen for at bøje den, og træk aldrig på den. Flyt aldrig støvsugeren ved at trække i slangen. Hvis du bruger magt på, træder på og trækker i slangen, kan slangen gå i stykker eller blive deformeret.

BEMÆRKNING: Ved opsugning af store stykker affald som f.eks. høvlspåner, betonstøv eller lignende andet end små stykker affald skal du bruge en slange med en indvendig diameter på 38 mm (ekstraudstyr). Brug af slangen med indvendig diameter på 28 mm (ekstraudstyr) kan medføre forstoppelse i slangen og beskadigelse.

Sæt slangen på monteringsporten på tanken, og drej den i retningen med uret, indtil den låses fast.

► Fig.23

VEDLIGEHOLDELSE

⚠️FORSIGTIG: Sørg altid for, at støvsugeren er slukket, at stikket er blevet taget ud af stikkontakten, og at akkuen er blevet fjernet, før du forsøger at udføre inspektion eller vedligeholdelse.

BEMÆRKNING: Anvend aldrig benzin, rensebenzin, fortynder, alkohol og lignende. Det kan medføre misfarvning, deformation eller revner.

For at opretholde produktets SIKKERHED og PÅLIDELIGHED må reparation, vedligeholdelse eller justering kun udføres af et autoriseret Makita servicecenter eller fabrikksservicecenter med anvendelse af Makita reservedele.

Opbevaring af strømforsyningsledning

Rul strømforsyningsledningen op omkring værktøjskassen.

► Fig.24

Opbevaring af tilbehør

Rørene kan sættes i rørholderen, når støvsugeren ikke anvendes i kortere tid.

► Fig.25

► Fig.26

Slangen kan opbevares rundt om maskinen ved at tilkoble begge ender.

► Fig.27

Rengøring af tekstilfilteret

Kun for modellen med tekstilfilter

Et tilstoppet tekstilfilter medfører dårlig sugeevne. Rengør jævnligt tekstilfilteret.

Hvis du vil fjerne støv eller partikler, der klæber til tekstilfilteret, skal du ryste bunden af rammen hurtigt nogle gange.

► Fig.28: 1. Tekstilfilter

Rengøring af pulverfilteret (HEPA) og forfilteret

Kun for modellen med pulverfilter

Et tilstoppet pulverfilter, forfilter og dæmper medfører dårlig sugeevne. Rengør jævnligt filtrene og dæmperen.

Hvis du vil fjerne støv eller partikler, der klæber til filtrene, skal du ryste bunden af rammen hurtigt nogle gange.

► Fig.29

Vask af og til pulverfilteret i vand, skyl og tør det grundigt i skyggen før brug. Vask aldrig filtre i en vaskemaskine.

BEMÆRK: Undlad at gnubbe eller ridse pulverfilteret, forfilteret eller dæmperen med hårde genstande som f.eks. en børste og et banketræ.

BEMÆRK: Filtrene slides op i tidens løb. Det anbefales at have reservefiltre liggende.

EKSTRAUDSTYR

⚠FORSIGTIG: Det følgende tilbehør og ekstraudstyr er anbefalet til brug med Deres Makita maskine, der er beskrevet i denne brugsanvisning. Anvendelse af andet tilbehør eller ekstraudstyr kan udgøre en risiko for personskade. Anvend kun tilbehør og ekstraudstyr til det beskrevne formål.

Hvis De behøver hjælp ved valg af tilbehør eller ønsker yderligere informationer, bedes De kontakte Deres lokale Makita servicecenter.

- Slange
- Forreste manchete (22, 24, 38)
- Lige rør
- Hjørnemundstykke

- Rund børste
- Pulverfilter, HEPA (til tørt støv)
- Dæmper
- Forfilter
- Mundstykkemontering
- Bøjet rør
- Polyætylenpose
- Papirpakke
- Holdersæt
- Vandfilter (ekstraudstyr til modellen med tekstilfilter)
- Original Makita-akku og oplader

BEMÆRK: Nogle ting på denne liste kan være inkluderet i værktøjspakken som standardtilbehør. Det kan være forskellige fra land til land.

ΠΡΟΕΙΔΟΠΟΙΗΣΗ

Το μηχάνημα αυτό δεν προορίζεται για χρήση από άτομα (συμπεριλαμβανομένων των παιδιών) με μειωμένες σωματικές, αισθητήριες ή διανοητικές ικανότητες, ή από άτομα που δεν έχουν πείρα και γνώσεις.

Τα παιδιά θα πρέπει να επιτηρούνται για να εξασφαλιστεί ότι δεν παίζουν με τη συσκευή.

ΠΡΟΔΙΑΓΡΑΦΕΣ

Μοντέλο:		DVC150L	DVC151L
Τυπικός τύπος φίλτρου		Υφασμάτινο φίλτρο (για ξηρή και υγρή σκόνη)	Φίλτρο πούδρας (για ξηρή σκόνη)
Ογκομετρική παροχή (αέρας)	Λειτουργία συνεχούς ρεύματος (με BL1850B, εύκαμπτος σωλήνας $\varnothing 38$ mm x 2,5 m)	2,1 m ³ /min	
	Λειτουργία εναλλασσόμενου ρεύματος (με εύκαμπτο σωλήνα $\varnothing 38$ mm x 2,5 m)	3,6 m ³ /min	
Υποπίεση	Λειτουργία συνεχούς ρεύματος (με BL1850B, εύκαμπτος σωλήνας $\varnothing 38$ mm x 2,5 m)	9,0 kPa	
	Λειτουργία εναλλασσόμενου ρεύματος (με εύκαμπτο σωλήνα $\varnothing 38$ mm x 2,5 m)	24,0 kPa	
Ανακτήσιμη χωρητικότητα	Σκόνη	15 L	
	Νερό	12 L	-
Διαστάσεις (Μ x Π x Υ)		366 mm x 334 mm x 421 mm	
Ονομαστική τάση		D.C. 36 V	
Καθαρό βάρος		8,9 - 9,6 kg	9,6 - 10,3 kg
Κατηγορία ασφάλειας		☐/II	

- Λόγω του συνεχιζόμενου προγράμματος έρευνας και ανάπτυξης, οι προδιαγραφές αυτές υπόκεινται σε αλλαγές χωρίς προειδοποίηση.
- Οι προδιαγραφές και η κασέτα μπαταριών μπορεί να διαφέρουν ανάλογα με τη χώρα.
- Το βάρος δεν περιλαμβάνει εξαρτήματα αλλά την(ις) κασέτα(ες) μπαταριών. Το μικρότερο και μεγαλύτερο βάρος των συνδυασμών της συσκευής και της(ων) κασέτας(ών) μπαταριών απεικονίζονται στον πίνακα.
- Για υγρή σκόνη, απαιτούνται ο πλωτήρας και το φίλτρο νερού ή το υφασμάτινο φίλτρο.

Ισχύουσα κασέτα μπαταριών και φορτιστής

Κασέτα μπαταρίας	BL1815N / BL1820 / BL1820B / BL1830 / BL1830B / BL1840 / BL1840B / BL1850 / BL1850B / BL1860B
Φορτιστής	DC18RC / DC18RD / DC18RE / DC18SD / DC18SE / DC18SF

- Ορισμένες από τις κασέτες και τους φορτιστές μπαταριών που αναγράφονται παραπάνω ίσως να μην είναι διαθέσιμοι, ανάλογα με την τοποθεσία κατοικίας σας.

⚠ ΠΡΟΕΙΔΟΠΟΙΗΣΗ: Να χρησιμοποιείτε μόνο τις κασέτες μπαταριών και τους φορτιστές που παρατίθενται ανωτέρω. Η χρήση οποιασδήποτε άλλης κασέτας μπαταριών ή φορτιστή μπορεί να προκαλέσει τραυματισμό ή/και πυρκαγιά.

Σύμβολα

Παρακάτω παρουσιάζονται τα σύμβολα που χρησιμοποιούνται για τον εξοπλισμό. Βεβαιωθείτε ότι κατανοείτε τη σημασία τους πριν από τη χρήση.



Διαβάστε το εγχειρίδιο οδηγιών.



Απαιτούνται ιδιαίτερη φροντίδα και προσοχή.



Προειδοποίηση! Η σκούπα μπορεί να περιέχει επικίνδυνη σκόνη.



Να μη στέκεστε ποτέ πάνω στη σκούπα.



Σκόνη τάξης L (ελαφριά). Οι σκούπες αναρρόφησης έχουν τη δυνατότητα να συλλέγουν σκόνη τάξης L. Ακολουθήστε τους κανονισμούς της χώρας σας όσον αφορά τη σκόνη καθώς και την υγεία και ασφάλεια στο χώρο εργασίας.



ΔΙΠΛΗ ΜΟΝΩΣΗ



Ni-MH
Li-ion

Μόνο για τις χώρες της ΕΕ
Μην απορρίπτετε ηλεκτρικό εξοπλισμό ή την μπαταρία μαζί με τα οικιακά απορρίμματα! Σύμφωνα με τις Ευρωπαϊκές Οδηγίες για τον απόβλητο ηλεκτρικό και ηλεκτρονικό εξοπλισμό και τις μπαταρίες και συσσωρευτές και τις απόβλητες μπαταρίες και συσσωρευτές και την ενσωμάτωση τους σύμφωνα με την εθνική νομοθεσία, ο ηλεκτρικός εξοπλισμός και η μπαταρία και τα πακέτα μπαταριών που έχουν φτάσει το τέλος ζωής τους πρέπει να συλλέγονται ξεχωριστά και να επιστρέφονται σε εγκαταστάσεις περιβαλλοντικά συμβατής ανακύκλωσης.

Προοριζόμενη χρήση

Το εργαλείο είναι κατάλληλο για εμπορική χρήση, για παράδειγμα, σε ξενοδοχεία, σχολεία, νοσοκομεία, εργοστάσια, καταστήματα, γραφεία και επιχειρήσεις ενοικίασης.

DVC150L

Το εργαλείο προορίζεται για τη συλλογή υγρής και ξηρής σκόνης.

DVC151L

Το εργαλείο προορίζεται για τη συλλογή ξηρής σκόνης μόνο.

Ηλεκτρική παροχή

Το εργαλείο πρέπει να συνδέεται μόνο με ηλεκτρική παροχή της ίδιας τάξης με αυτή που αναγράφεται στην πινακίδα ονομαστικών τιμών και μπορεί να λειτουργήσει μόνο με εναλλασσόμενο μονοφασικό ρεύμα. Υπάρχει διπλή μόνωση και κατά συνέπεια, μπορεί να γίνει σύνδεση σε ακροδέκτες χωρίς σύρμα γείωσης.

Θόρυβος

Το τυπικό A επίπεδο καταμετρημένου θορύβου καθορίζεται σύμφωνα με το EN60335-2-69:

Μοντέλο DVC150L

Στάθμη ηχητικής πίεσης (L_{pA}): 75 dB (A)
Αβεβαιότητα (K): 2,5 dB (A)

Μοντέλο DVC151L

Στάθμη ηχητικής πίεσης (L_{pA}): 75 dB (A)
Αβεβαιότητα (K): 2,5 dB (A)

Η ένταση θορύβου υπό συνθήκες εργασίας μπορεί να υπερβεί τα 80 dB (A).

ΠΑΡΑΤΗΡΗΣΗ: Η δηλωμένη τιμή(ές) εκπομπής θορύβου έχει μετρηθεί σύμφωνα με την πρότυπη μέθοδο δοκιμής και μπορεί να χρησιμοποιηθεί για τη σύγκριση ενός εργαλείου με κάποιο άλλο.

ΠΑΡΑΤΗΡΗΣΗ: Η δηλωμένη τιμή(ές) εκπομπής θορύβου μπορεί να χρησιμοποιηθεί και στην προκαταρκτική αξιολόγηση της έκθεσης.

ΠΡΟΕΙΔΟΠΟΙΗΣΗ: Να φοράτε ωτοασπίδες.

ΠΡΟΕΙΔΟΠΟΙΗΣΗ: Η εκπομπή θορύβου κατά τη χρήση του ηλεκτρικού εργαλείου σε πραγματικές συνθήκες μπορεί να διαφέρει από τη δηλωμένη τιμή(ές) ανάλογα με τους τρόπους χρήσης του εργαλείου, ιδιαίτερα το είδος του τεμαχίου εργασίας που υπόκειται επεξεργασία.

ΠΡΟΕΙΔΟΠΟΙΗΣΗ: Φροντίστε να λάβετε τα κατάλληλα μέτρα προστασίας του χειριστή βάσει ενός υπολογισμού της έκθεσης σε πραγματικές συνθήκες χρήσης (λαμβάνοντας υπόψη όλες τις συνιστώσες του κύκλου λειτουργίας όπως τους χρόνους που το εργαλείο είναι εκτός λειτουργίας και όταν βρίσκεται σε αδρανή λειτουργία πέραν του χρόνου ενεργοποίησης).

Κραδασμός

Η ολική τιμή δόνησης (άθροισμα τρι-αξονικού διανύσματος) καθορίζεται σύμφωνα με το EN60335-2-69:

Εκπομπή δόνησης ($a_{h,m}$): 2,5 m/s^2 ή λιγότερο
Αβεβαιότητα (K): 1,5 m/s^2

ΠΑΡΑΤΗΡΗΣΗ: Η δηλωμένη τιμή(ές) συνολικών κραδασμών έχει μετρηθεί σύμφωνα με την πρότυπη μέθοδο δοκιμής και μπορεί να χρησιμοποιηθεί για τη σύγκριση ενός εργαλείου με κάποιο άλλο.

ΠΑΡΑΤΗΡΗΣΗ: Η δηλωμένη τιμή(ές) συνολικών κραδασμών μπορεί να χρησιμοποιηθεί και στην προκαταρκτική αξιολόγηση της έκθεσης.

ΠΡΟΕΙΔΟΠΟΙΗΣΗ: Η εκπομπή κραδασμών κατά τη χρήση του ηλεκτρικού εργαλείου σε πραγματικές συνθήκες μπορεί να διαφέρει από τη δηλωμένη τιμή(ές) εκπομπής ανάλογα με τους τρόπους χρήσης του εργαλείου, ιδιαίτερα το είδος του τεμαχίου εργασίας που υπόκειται επεξεργασία.

ΠΡΟΕΙΔΟΠΟΙΗΣΗ: Φροντίστε να λάβετε τα κατάλληλα μέτρα προστασίας του χειριστή βάσει ενός υπολογισμού της έκθεσης σε πραγματικές συνθήκες χρήσης (λαμβάνοντας υπόψη όλες τις συνιστώσες του κύκλου λειτουργίας όπως τους χρόνους που το εργαλείο είναι εκτός λειτουργίας και όταν βρίσκεται σε αδρανή λειτουργία πέραν του χρόνου ενεργοποίησης).

Δήλωση συμμόρφωσης ΕΚ

Μόνο για χώρες της Ευρώπης

Η δήλωση συμμόρφωσης ΕΚ περιλαμβάνεται ως Παράρτημα Α στο παρόν εγχειρίδιο οδηγιών.

ΠΡΟΕΙΔΟΠΟΙΗΣΕΙΣ ΑΣΦΑΛΕΙΑΣ

Προειδοποιήσεις ασφάλειας για την ενσύρματη και φορητή σκούπα αναρρόφησης

▲ ΠΡΟΕΙΔΟΠΟΙΗΣΗ: ΣΗΜΑΝΤΙΚΟΙ ΔΙΑΒΑΣΤΕ ΠΡΟΣΕΚΤΙΚΑ όλες τις προειδοποιήσεις για την ασφάλεια και όλες τις οδηγίες ΠΡΙΝ ΑΠΟ ΤΗ ΧΡΗΣΗ. Η μη τήρηση των προειδοποιήσεων και οδηγιών μπορεί να καταλήξει σε ηλεκτροπληξία, πυρκαγιά ή/και σοβαρό τραυματισμό.

1. Πριν από τη χρήση, βεβαιωθείτε ότι αυτή η μηχανή θα χρησιμοποιηθεί από άτομα στα οποία έχουν δοθεί επαρκείς οδηγίες για τη χρήση αυτής της μηχανής.
2. Αν βγει αφρός/υγρό, σβήστε αμέσως.
3. Να καθαρίζετε τακτικά τη διάταξη περιορισμού της στάθμης νερού και να την εξετάζετε για ενδείξεις ζημιάς.
4. Μη χρησιμοποιείτε τη μηχανή χωρίς το φίλτρο. Αντικαταστήστε αμέσως ένα φίλτρο που έχει υποστεί ζημιά.
5. **ΧΡΗΣΗ ΤΟΥ ΚΑΛΩΔΙΟΥ ΠΡΟΕΚΤΑΣΗΣ (ΜΠΑΛΑΝΤΕΖΑΣ).** Όταν χρησιμοποιείτε καλώδιο προέκτασης (μπαλαντέζα) επιδιώξτε η ηλεκτρική παροχή απέχει μεγάλη απόσταση, προσπαθήστε να χρησιμοποιήσετε ένα καλώδιο με αρκετά μεγάλο πάχος, αλλά όχι μεγάλο μήκος, διαφορετικά η απόδοση θα μειωθεί. Για εφαρμογές σε εξωτερικούς χώρους, να χρησιμοποιείτε καλώδιο προέκτασης (μπαλαντέζα) κατάλληλο για εξωτερική χρήση.
6. **ΠΡΟΕΙΔΟΠΟΙΗΣΗ ΤΑΣΗΣ:** Πριν συνδέσετε τη σκούπα σε ηλεκτρική παροχή (ρευματοδότη, πρίζα, κτλ.), βεβαιωθείτε ότι η τάση που παρέχεται είναι η ίδια με αυτή που καθορίζεται στην πινακίδα ονομαστικών τιμών της σκούπας. Ηλεκτρική παροχή με τάση μεγαλύτερη από αυτή που έχει καθοριστεί για τη σκούπα μπορεί να έχει ως αποτέλεσμα **ΣΟΒΑΡΟ ΤΡΑΥΜΑΤΙΣΜΟ** του χειριστή, καθώς και ζημιά στη σκούπα. Αν έχετε αμφιβολίες, **ΜΗΝ ΣΥΝΔΕΣΕΤΕ ΤΟ ΦΙΣ ΤΟΥ ΗΛΕΚΤΡΙΚΟΥ ΚΑΛΩΔΙΟΥ ΤΗΣ ΣΚΟΥΠΑΣ ΣΤΟ ΡΕΥΜΑ.** Αν χρησιμοποιείτε ηλεκτρική παροχή με τάση μικρότερη από την ονομαστική τιμή στην πινακίδα, μπορεί να προκληθεί ζημιά στο μοτέρ.
7. **ΝΑ ΑΠΟΦΕΥΓΕΤΕ ΤΗΝ ΑΘΕΛΗΤΗ ΕΝΕΡΓΟΠΟΙΗΣΗ.** Βεβαιωθείτε ότι ο διακόπτης είναι **ΚΛΕΙΣΤΟΣ** όταν συνδέετε το φως του ηλεκτρικού καλώδιου σε ρεύμα.
8. Μην επιχειρήσετε να συλλέξετε εύφλεκτα υλικά, πυροτεχνήματα, αναμμένα τσιγάρα, καυτές στάχτες, ζεστά μεταλλικά θραύσματα, αιχμηρά αντικείμενα όπως ξυραφάκια, βελόνες, σπασμένο γυαλί ή παρόμοια αντικείμενα.
9. **ΜΗ ΧΡΗΣΙΜΟΠΟΙΕΙΤΕ ΠΟΤΕ ΤΗ ΜΗΧΑΝΗ ΚΟΝΤΑ ΣΕ ΒΕΝΖΙΝΗ, ΑΕΡΙΑ, ΜΠΟΓΙΑ, ΚΟΛΛΕΣ Ή ΑΛΛΕΣ ΥΨΗΛΑ ΕΚΡΗΚΤΙΚΕΣ ΟΥΣΙΕΣ.** Ο διακόπτης παράγει σπινθήρες όταν ενεργοποιείται και απενεργοποιείται. Το ίδιο και ο μετατροπέας μοτέρ κατά τη διάρκεια της λειτουργίας. Μπορεί να προκύψει επικίνδυνη έκρηξη.
10. Μην αναρροφάτε ποτέ τοξικά, καρκινογόνα, καύσιμα ή άλλα επικίνδυνα υλικά, όπως αμίαντο, αρσενικό, βάριο, βηρύλλιο, μόλυβδο, εντομοκτόνα ή άλλα υλικά που αποτελούν κίνδυνο για την υγεία.
11. Μη χρησιμοποιείτε ποτέ τη μηχανή σε εξωτερικό χώρο στη βροχή.
12. Μη χρησιμοποιείτε κοντά σε πηγές θερμότητας (φούρνο, κτλ.).
13. **ΝΑ ΠΡΟΣΤΑΤΕΥΕΤΕ ΑΠΟ ΤΗΝ ΠΡΟΚΛΗΣΗ ΗΛΕΚΤΡΟΠΛΗΞΙΑΣ.** Αποφεύγετε την επαφή του σώματος με γειωμένες επιφάνειες. Για παράδειγμα, σωλήνες, καλοριφέρ, φούρνους και ψυγεία.
14. Μη φράσσετε τα ανοίγματα ψύξης. Αυτά τα ανοίγματα επιτρέπουν την ψύξη του μοτέρ. Θα πρέπει να αποφευχθεί προσεκτικά το φράξιμο, διαφορετικά το μοτέρ θα καεί λόγω έλλειψης αερισμού.
15. Να στέκεστε πάντα σταθερά και ισορροπημένα.
16. **ΜΗΝ ΚΑΚΟΜΕΤΑΧΕΙΡΙΖΕΤΕ ΤΟ ΚΑΛΩΔΙΟ.** Μην μεταφέρετε τη σκούπα κρατώντας την από το ηλεκτρικό καλώδιο και μην τραβάτε το ηλεκτρικό καλώδιο απότομα για να το αποσυνδέσετε από την πρίζα. Να διατηρείτε το ηλεκτρικό καλώδιο μακριά από τη θερμότητα, τα λάδια και αιχμηρά αντικείμενα. Να ελέγχετε τα καλώδια της σκούπας τακτικά και, αν έχουν ζημιά, στείλετε τα για επίσκεψη από εξουσιοδοτημένο κέντρο σέρβις. Να επιθεωρείτε τα καλώδια προέκτασης (μπαλαντέζες) περιοδικά και να τα αντικαθιστάτε, αν παρουσιάζουν ζημιά.
17. Μη διπλώνετε, μην τραβάτε και μην πατάτε τον εύκαμπτο σωλήνα.
18. Διακόψτε αμέσως τη λειτουργία της μηχανής αν παρατηρήσετε ανεπαρκή απόδοση ή σιδήρι-ποτε ασυνήθιστο κατά τη λειτουργία.
19. **ΑΠΟΣΥΝΔΕΣΤΕ ΤΗ ΣΚΟΥΠΑ.** Όταν δεν χρησιμοποιείται, πριν από το σέρβις και όταν αλλάζετε αξεσουάρ.
20. Καθαρίστε και εκτελέστε σέρβις στη μηχανή αμέσως μετά από κάθε χρήση για να διατηρείται σε όριστη λειτουργική κατάσταση.
21. **ΔΙΑΤΗΡΕΙΤΕ ΤΗ ΜΗΧΑΝΗ ΜΕ ΠΡΟΣΟΧΗ.** Να διατηρείτε τη μηχανή καθαρή για την καλύτερη και ασφαλέστερη απόδοση. Να ακολουθείτε τις οδηγίες για την αλλαγή των αξεσουάρ. Να διατηρείτε τις λαβές στεγνές, καθαρές, χωρίς λάδι και γράσο.

22. **ΝΑ ΕΛΕΓΧΕΤΕ ΤΑ ΜΕΡΗ ΜΕ ΖΗΜΙΑ.** Πριν από την περαιτέρω χρήση της μηχανής, θα πρέπει να ελέγχετε προσεκτικά τυχόν προστατευτικά εξαρτήματα ή άλλα εξάρτητα με ζημιά για να καθορίσετε αν θα λειτουργήσουν σωστά και αν θα πραγματοποιήσουν την προοριζόμενη λειτουργία τους. Ελέγξτε την ευθυγράμμιση των κινούμενων μερών, την ελεύθερη κίνηση των κινούμενων μερών, το τυχόν σπάσιμο εξαρτημάτων, τη στερέωση και οποιοσδήποτε άλλες συνθήκες που μπορεί να επηρεάσουν τη λειτουργία του εργαλείου. Ένα προστατευτικό ή άλλο εξάρτημα με ζημιά θα πρέπει να επισκευαστεί ή να αντικατασταθεί σωστά σε εξουσιοδοτημένο κέντρο σέρβις εκτός αν δηλώνεται διαφορετικά στο παρόν χειρίδιο οδηγίων. Οι ελαττωματικοί διακόπτες πρέπει να αντικαθίστανται σε εξουσιοδοτημένο κέντρο σέρβις. Μη χρησιμοποιείτε τη μηχανή αν ο διακόπτης δεν την ενεργοποιεί και δεν την απενεργοποιεί.
 23. **ΑΝΤΑΛΛΑΚΤΙΚΑ.** Κατά το σέρβις, να χρησιμοποιείτε μόνο γνήσια ανταλλακτικά.
 24. **ΝΑ ΑΠΟΘΗΚΕΥΕΤΕ ΤΗ ΜΗΧΑΝΗ ΟΤΑΝ ΔΕΝ ΤΗ ΧΡΗΣΙΜΟΠΟΙΕΙΤΕ.** Όταν δεν χρησιμοποιείται, η μηχανή θα πρέπει να αποθηκεύεται σε εσωτερικό χώρο.
 25. Τα υγρά φίλτρα και το εσωτερικό μέρος του δοχείου υγρού πρέπει να στεγνώσουν πριν την αποθήκευση.
 26. Να προσέχετε τη μηχανή. Ο σκληρός χειρισμός μπορεί να προκαλέσει το σπάσιμο ακόμη και της πιο καλοκατασκευασμένης μηχανής.
 27. Μην επιχειρήσετε να καθαρίσετε το εξωτερικό ή το εσωτερικό με βενζίνη, νέφτι ή καθαριστικές χημικές ουσίες. Μπορεί να προκληθούν ρωγμές και αποχρωματισμός.
 28. Μη χρησιμοποιείτε τη μηχανή σε κλειστό χώρο στον οποίο απελευθερώνονται εύφλεκτοι, εκρηκτικοί ή τοξικοί ατμοί από μπιγιές με βάση το λάδι, νέφτι, βενζίνη, μερικές ουσίες κατά της σκουριάς, κτλ., ή σε περιοχές όπου υπάρχει εύφλεκτη σκόνη.
 29. Μην αφήνετε το ηλεκτρικό καλώδιο της σκούπας στο δάπεδο αφού έχετε τελειώσει με τον καθαρισμό. Μπορεί να αποτελέσει κίνδυνο για παραπτώματα ή μπορεί να προκαλέσει ζημιά στη σκούπα.
 30. Μη χρησιμοποιείτε αυτό το εργαλείο ή οποιοδήποτε άλλο εργαλείο υπό την επίρρηση ναρκωτικών ουσιών ή αλκοόλ.
 31. Ως βασικός κανόνας ασφαλείας, να χρησιμοποιείτε γυαλιά ασφαλείας ή γυαλιά με πλαϊνά προστατευτικά.
 32. Να χρησιμοποιείτε μάσκα κατά της σκόνης σε συνθήκες με πολλή σκόνη.
 33. Το μυνάχημα αυτό δεν προορίζεται για χρήση από άτομα, συμπεριλαμβανομένων των παιδιών, με μειωμένες σωματικές, αισθητήριες ή διανοητικές ικανότητες, ή από άτομα που δεν έχουν πείρα και γνώσεις.
 34. Τα μικρά παιδιά θα πρέπει να επιβλέπονται προκειμένου να διασφαλιστεί ότι δεν παίζουν με τη μηχανή.
 35. Μη χειρίζεστε ποτέ το ηλεκτρικό καλώδιο ή τη σκούπα με βρεγμένα χέρια.
 36. Να προσέχετε ιδιαίτερα όταν καθαρίζετε σκαλοπάτια.
 37. Μη χρησιμοποιείτε τη μηχανή για σκαμπό ή πάγκο εργασίας. Η μηχανή σκούπα μπορεί να πέσει και να προκαλέσει προσωπικό τραυματισμό.
- Χρήση και φροντίδα μπαταριών**
1. **Να επαναφορτίζετε τις μπαταρίες μόνο με το φορτιστή που καθορίζεται από τον κατασκευαστή.** Ένας φορτιστής που είναι κατάλληλος για μια συγκεκριμένη μπαταρία μπορεί να δημιουργήσει κίνδυνο πυρκαγιάς όταν χρησιμοποιείται με μια άλλη μπαταρία.
 2. **Να χρησιμοποιείτε ηλεκτρικά εργαλεία μόνο με ειδικά καταρτισμένες μπαταρίες.** Η χρήση κάθε άλλης μπαταρίας μπορεί να δημιουργήσει κίνδυνο τραυματισμού ή πυρκαγιάς.
 3. **Όταν δεν χρησιμοποιείται η κασέτα μεταλλικών, διατηρήστε τη μακριά από άλλα μεταλλικά αντικείμενα, όπως συνδετήρες, κέρματα, κλειδιά, καρφιά, βίδες ή άλλα μικρά μεταλλικά αντικείμενα, με τα οποία μπορεί να δημιουργηθεί σύνδεση από τον έναν ακροδέκτη στον άλλον.** Το βραχυκύκλωμα των ακροδεκτών της μπαταρίας μπορεί να προκαλέσει εγκαύματα ή πυρκαγιά.
 4. **Υπό συνθήκες κατάχρησης, μπορεί να εξαχθεί υγρό από την μπαταρία.** Να αποφεύγετε την επαφή. Εάν συμβεί επαφή κατά λάθος, εκπλύνετε με νερό. Εάν το υγρό έρθει σε επαφή με τα μάτια, αναζητήστε και ιατρική βοήθεια. Το υγρό που εξάγεται από την μπαταρία μπορεί να προκαλέσει ερεθισμό ή εγκαύματα.
 5. **Μη χρησιμοποιείτε μια κασέτα μπαταριών ή εργαλείο που έχει καταστραφεί ή τροποποιηθεί.** Οι κατεστραμμένες ή τροποποιημένες μπαταρίες μπορεί να παρουσιάζουν απρόβλεπτη συμπεριφορά που έχει ως αποτέλεσμα πυρκαγιά, έκρηξη ή κίνδυνο τραυματισμού.
 6. **Μην εκθέτετε την κασέτα μπαταριών ή το εργαλείο σε πυρκαγιά ή υπερβολικά υψηλή θερμοκρασία.** Η έκθεση στην πυρκαγιά ή στη θερμοκρασία άνω των 130 °C μπορεί να προκαλέσει έκρηξη.
 7. **Ακολουθήστε όλες τις οδηγίες φόρτισης και μην φορτίσετε την κασέτα μπαταριών ή το εργαλείο εκτός του θερμοκρασιακού εύρους που καθορίζεται στις οδηγίες.** Η λανθασμένη φόρτιση ή η φόρτιση σε θερμοκρασίες εκτός του καθορισμένου εύρους μπορεί να προκαλέσει ζημιά στην μπαταρία και να αυξήσει τον κίνδυνο πυρκαγιάς.

ΦΥΛΑΞΤΕ ΤΙΣ ΟΔΗΓΙΕΣ ΑΥΤΕΣ.

▲ ΠΡΟΕΙΔΟΠΟΙΗΣΗ: ΜΗΝ επιτρέψετε το βαθμό άνεσης ή εξοικείωσης με το προϊόν (λόγω επανειλημμένης χρήσης) να αντικαταστήσει την αυστηρή τήρηση των κανόνων ασφαλείας του παρόντος εργαλείου. Η **ΛΑΝΘΑΣΜΕΝΗ ΧΡΗΣΗ** ή η αμέλεια να ακολουθήσετε τους κανόνες ασφαλείας που διατυπώνονται στο παρόν χειρίδιο οδηγιών μπορεί να προκαλέσει σοβαρό προσωπικό τραυματισμό.

Σημαντικές οδηγίες ασφάλειας για κασέτα μπαταριών

1. Πριν χρησιμοποιήσετε την κασέτα μπαταριών, διαβάστε όλες τις οδηγίες και σημειώσεις προφύλαξης (1) στον φορτιστή μπαταριών, (2) στην μπαταρία και (3) στο προϊόν που χρησιμοποιεί την μπαταρία.
2. Μην αποσυναρμολογήσετε την κασέτα μπαταριών.
3. Εάν ο χρόνος λειτουργίας έχει γίνει υπερβολικά βραχύς, σταματήστε τη λειτουργία αμέσως. Αλλιώς, μπορεί να έχει ως αποτέλεσμα κίνδυνο υπερθέρμανσης, πιθανά εγκαύματα ή ακόμη και έκρηξη.
4. Εάν ηλεκτρολύτης μπει στα μάτια σας, ξεπλύνετε τα με καθαρό νερό και ζητήστε ιατρική φροντίδα αμέσως. Αλλιώς, μπορεί να έχει ως αποτέλεσμα απώλεια της όρασης σας.
5. Μην βραχυκυκλώνετε την κασέτα μπαταριών:
 - (1) Μην αγγίζετε τους πόλους με οτιδήποτε αγώγιμο υλικό.
 - (2) Αποφεύγετε να αποθηκεύετε την κασέτα μπαταριών μέσα σε ένα δοχείο μαζί με άλλα μεταλλικά αντικείμενα όπως καρφιά, νομίσματα, κλπ.
 - (3) Μην εκθέτετε την κασέτα μπαταριών στο νερό ή στη βροχή.Ένα βραχυκύκλωμα μπαταρίας μπορεί να προκαλέσει μεγάλη ροή ρεύματος, υπερθέρμανση, πιθανά εγκαύματα ακόμη και σοβαρή βλάβη.
6. Μην αποθηκεύετε το εργαλείο και την κασέτα μπαταριών σε τοποθεσίες όπου η θερμοκρασία μπορεί να φτάσει ή να ξεπεράσει τους 50°C.
7. Μην καίτε την κασέτα μπαταριών ακόμη και εάν έχει σοβαρή ζημιά ή είναι εντελώς φθαρμένη. Η κασέτα μπαταριών μπορεί να εκραγεί στη φωτιά.
8. Προσέχετε να μη ρίξετε κάτω ούτε να χτυπήσετε την μπαταρία.
9. Μην χρησιμοποιείτε μπαταρία που έχει υποστεί ζημιά.
10. Οι μπαταρίες ιόντων λιθίου που περιέχονται υποκείνται στις απαιτήσεις της νομοθεσίας για επικίνδυνα αγαθά.

Για εμπορικές μεταφορές, για παράδειγμα από τρίτα μέρη, πρέπει να τηρούνται οι διαμεταφορές, οι ειδικές απαιτήσεις στη συσκευασία και η επισήμανση.

Για προετοιμασία του στοιχείου που αποστέλλεται, είναι απαραίτητο να συμβουλευτείτε έναν ειδικό για επικίνδυνα υλικά. Επίσης, τηρήστε τους πιθανούς, πιο αναλυτικούς εθνικούς κανονισμούς. Καλύψτε με αυτοκόλλητη ταινία ή κρύψτε τις ανοικτές επαφές και συσκευάστε την μπαταρία με τρόπο που να μην μπορεί να μετακινείται μέσα στη συσκευασία.
11. Τηρήστε τους τοπικούς κανονισμούς που σχετίζονται με τη διάθεση της μπαταρίας.

12. Χρησιμοποιήστε τις μπαταρίες μόνο με τα προϊόντα που καθορίζει η Makita. Αν τοποθετήσετε τις μπαταρίες σε μη συμβατά προϊόντα μπορεί να έχει ως αποτέλεσμα πυρκαγιά, υπερβολική θερμότητα, έκρηξη ή διαρροή ηλεκτρολύτη.

ΦΥΛΑΞΤΕ ΤΙΣ ΟΔΗΓΙΕΣ ΑΥΤΕΣ.

▲ΠΡΟΣΟΧΗ: Να χρησιμοποιείτε μόνο γνήσιες μπαταρίες της Makita. Η χρήση μη γνήσιων μπαταριών Makita, ή μπαταριών που έχουν τροποποιηθεί, μπορεί να έχει ως αποτέλεσμα τη ρήξη της μπαταρίας, προκαλώντας πυρκαγιά, προσωπικό τραυματισμό και βλάβη. Επίσης, θα ακυρωθεί η εγγύηση της Makita για το εργαλείο και φορτιστή Makita.

Συμβουλές για τη διατήρηση της μέγιστης ζωής μπαταρίας

1. Φορτίζετε την κασέτα μπαταριών πριν από την πλήρη αποφόρτιση της. Πάντοτε να σταματάτε τη λειτουργία του εργαλείου και να φορτίζετε την κασέτα μπαταριών όταν παρατηρείτε μειωμένη ισχύ εργαλείου.
2. Ποτέ μην επαναφορτίζετε μια πλήρως φορτισμένη κασέτα μπαταριών. Η υπερφόρτιση μειώνει την ωφέλιμη ζωή της μπαταρίας.
3. Να φορτίζετε την κασέτα μπαταριών σε θερμοκρασία δωματίου, δηλαδή στους 10°C έως 40°C. Αφήστε μια θερμή κασέτα μπαταριών να κρυώσει πριν την φορτίσετε.
4. Να φορτίζετε την κασέτα μπαταριών εάν δεν τη χρησιμοποιείτε για μεγάλη χρονική περίοδο (περισσότερο από έξι μήνες).

ΠΕΡΙΓΡΑΦΗ ΕΞΑΡΤΗΜΑΤΩΝ

Μοντέλο DVC150L

(Μοντέλο υφασμάτινου φίλτρου (για ξηρή και υγρή σκόνη))

- **Εικ. 1:** 1. Κάλυμμα δεξαμενής 2. Πλωτήρας
3. Κλωβός πλωτήρα 4. Υφασμάτινο φίλτρο
5. Δεξαμενή

Μοντέλο DVC151L

(Μοντέλο φίλτρου πούδρας (για ξηρή σκόνη))

- **Εικ. 2:** 1. Κάλυμμα δεξαμενής 2. Φίλτρο πούδρας (HEPA) 3. Αποσβεστήρας 4. Προφίλτρο
5. Δεξαμενή

ΠΕΡΙΓΡΑΦΗ ΛΕΙΤΟΥΡΓΙΑΣ

Χρήση με εναλλασσόμενο ηλεκτρικό ρεύμα:

▲ ΠΡΟΕΙΔΟΠΟΙΗΣΗ: Πριν συνδέετε τη σκούπα στο ηλεκτρικό ρεύμα, να βεβαιώνετε πάντα ότι η σκούπα είναι σβηστή. Η σύνδεση της σκούπας στο ηλεκτρικό ρεύμα με αναμμένο το διακόπτη μπορεί να προκαλέσει αναπάντεχη εκκίνηση με αποτέλεσμα την πρόκληση σοβαρού προσωπικού τραυματισμού.

Συνδέστε το φως σε ηλεκτρική παροχή.

► **Εικ.3:** 1. Φις (το σχήμα και το μήκος ηλεκτρικού καλωδίου μπορεί να διαφέρουν ανάλογα με τη χώρα)

Η ένδειξη ισχύος εναλλασσόμενου ρεύματος ανάβει όταν θέτετε το διακόπτη αναμονής στην πλευρά «I».

► **Εικ.4:** 1. Ένδειξη ισχύος εναλλασσόμενου ρεύματος

ΠΑΡΑΤΗΡΗΣΗ: Όταν η λειτουργία γίνεται με ισχύ συνεχούς ρεύματος, η σκούπα αλλάζει αυτόματα σε λειτουργία με ισχύ εναλλασσόμενου ρεύματος όταν συνδεθεί στο ρεύμα.

ΠΑΡΑΤΗΡΗΣΗ: Αν η σκούπα δεν είναι συνδεδεμένη στο ρεύμα κατά τη λειτουργία με τοποθετημένη την μπαταρία, η σκούπα μεταβαίνει σε κατάσταση αναμονής.

Χρήση με μπαταρία:

▲ ΠΡΟΣΟΧΗ: Να βεβαιώνετε πάντα ότι η σκούπα είναι σβηστή, αποσυνδεδεμένη και η κασέτα μπαταριών έχει αφαιρεθεί, πριν από οποιαδήποτε ρύθμιση ή έλεγχο της λειτουργίας της σκούπας.

Τοποθέτηση ή αφαίρεση της κασέτας μπαταριών

▲ ΠΡΟΣΟΧΗ: Να σβήνεται πάντα το εργαλείο πριν τοποθετήσετε ή αφαιρέσετε την κασέτα μπαταριών.

▲ ΠΡΟΣΟΧΗ: Κρατήστε τη σκούπα και την κασέτα μπαταριών σταθερά κατά την τοποθέτηση ή αφαίρεση της κασέτας μπαταριών. Εάν δεν κρατάτε τη σκούπα και την κασέτα μπαταριών σταθερά μπορεί να γλιστρήσουν από τα χέρια σας και να προκληθεί βλάβη στη σκούπα και την κασέτα μπαταριών και προσωπικός τραυματισμός.

▲ ΠΡΟΣΟΧΗ: Προσέχετε να μην πιάσετε τα δάχτυλά σας όταν ανοίξετε ή κλείνετε το κάλυμμα μπαταριών. Αν δεν το κάνετε αυτό, μπορεί να προκληθεί ατομικός τραυματισμός.

Για να τοποθετήσετε την κασέτα μπαταριών, απελευθερώστε πρώτα το κλειδί και μετά ανοίξτε το κάλυμμα μπαταριών. Μετά, τοποθετήστε την κασέτα μπαταριών.

► **Εικ.5:** 1. Κλειδί 2. Κάλυμμα μπαταριών

Ευθυγραμμίστε τη γλωττίδα στην κασέτα μπαταριών με την εγκοπή στο περίβλημα και σύρετέ τη στη θέση της. Να την τοποθετείτε πλήρως μέχρι να ασφαλίσει στη θέση της, γεγονός που υποδεικνύεται με ένα χαρακτηριστικό ήχο. Μετά, κλειδώστε το κάλυμμα μπαταριών.

► **Εικ.6:** 1. Κασέτα μπαταριών

Για να αφαιρέσετε την κασέτα μπαταριών, σύρετέ την από το εργαλείο ενώ σύρετε το κουμπί μπροστά από την κασέτα.

▲ ΠΡΟΣΟΧΗ: Να τοποθετείτε πάντα την κασέτα μπαταριών πλήρως μέχρι να μην βλέπετε την κόκκινη ένδειξη. Εάν δεν ασφαλιστεί, μπορεί να πέσει από τη σκούπα τυχαία, προκαλώντας σωματική βλάβη σε εσάς ή κάποιον άλλο γύρω σας.

▲ ΠΡΟΣΟΧΗ: Μην τοποθετείτε την κασέτα μπαταριών με βία. Εάν η κασέτα δεν ολισθαίνει με ευκολία, τότε δεν έχει τοποθετηθεί κατάλληλα.

ΠΑΡΑΤΗΡΗΣΗ: Η σκούπα δεν λειτουργεί με μόνο μία κασέτα μπαταριών.

ΠΑΡΑΤΗΡΗΣΗ: Βγάλτε το φις του ηλεκτρικού καλωδίου της σκούπας από το καλώδιο προέκτασης (μπαλαντζά), όταν χρησιμοποιείτε τη σκούπα με τις μπαταρίες.

Εμφάνιση υπολειπόμενης χωρητικότητας μπαταρίας

Μόνο για κασέτες μπαταρίας με την ενδεικτική λυχνία

► **Εικ.7:** 1. Ενδεικτικές λυχνίες 2. Κουμπί ελέγχου

Πιέστε το κουμπί ελέγχου στην κασέτα μπαταριών για να υποδείξετε την υπολειπόμενη χωρητικότητα μπαταρίας. Οι ενδεικτικές λυχνίες ανάβουν για λίγα δευτερόλεπτα.

Ενδεικτικές λυχνίες			Υπολειπόμενη χωρητικότητα
Αναμμένες	Σβηστές	Αναβοσβήνουν	
■ ■ ■ ■			75% έως 100%
■ ■ ■ □			50% έως 75%
■ ■ □ □			25% έως 50%
■ □ □ □			0% έως 25%
■ □ □ □		▲	Φορτίστε την μπαταρία.
■ ■ □ □		▲	Μπορεί να προέκυψε δυσλειτουργία στην μπαταρία.
□ □ ■ ■		▲	






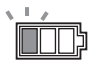

ΠΑΡΑΤΗΡΗΣΗ: Ανάλογα με τις συνθήκες χρήσης και τη θερμοκρασία περιβάλλοντος, η ένδειξη μπορεί να διαφέρει λίγο από την πραγματική χωρητικότητα.

Υπόδειξη υπόλοιπης χωρητικότητας μπαταρίας

► **Εικ.8:** 1. Ένδειξη μπαταρίας 2. Κουμπί ελέγχου

► **Εικ.9**

Πίστετε το κουμπί ελέγχου για να εμφανιστεί η υπόλοιπη χωρητικότητα της μπαταρίας. Οι ενδείξεις μπαταριών αντιστοιχούν σε κάθε μπαταρία.

Κατάσταση ένδειξης μπαταρίας			Υπολειπόμενη χωρητικότητα μπαταρίας
 Αναμμένες	 Σβηστές	 Αναβοσβήνουν	
			50% έως 100%
			20% έως 50%
			0% έως 20%
			Φορτίστε την μπαταρία


Σύστημα προστασίας εργαλείου/μπαταρίας

Το εργαλείο είναι εξοπλισμένο με σύστημα προστασίας εργαλείου/μπαταρίας. Αυτό το σύστημα αποκτάει αυτόματα την ισχύ προς το μοτέρ για να παραταθεί η διάρκεια λειτουργίας του εργαλείου και της μπαταρίας. Το εργαλείο σταματάει αυτόματα κατά τη διάρκεια της λειτουργίας εάν το εργαλείο ή η μπαταρία βρεθούν κάτω από τις παρακάτω συνθήκες:

Προστασία υπερφόρτωσης

Όταν το εργαλείο λειτουργεί με τρόπο ώστε να αναγκάζεται να καταναλώνει ασυνήθιστα υψηλό ρεύμα, το εργαλείο σταματάει αυτόματα χωρίς καμία ένδειξη. Σε αυτή την κατάσταση, σβήστε το εργαλείο και διακόψτε την εφαρμογή που προκαλεί την υπερφόρτωση του εργαλείου. Μετά, ενεργοποιήστε το εργαλείο για επανεκκίνηση.

Προστασία υπερθέρμανσης

<input type="checkbox"/> Αναμμένη	<input checked="" type="checkbox"/> Αναβοσβήνει
	

Όταν το εργαλείο υπερθερμανθεί, το εργαλείο σταματάει αυτόματα και η ένδειξη μπαταρίας αναβοσβήνει για περίπου 60 δευτερόλεπτα. Σε αυτή την κατάσταση, αφήστε το εργαλείο να ψυχθεί πριν ενεργοποιήσετε ξανά το εργαλείο.

Προστασία υπερβολικής αποφόρτισης

Όταν μειωθεί η χωρητικότητα μπαταρίας, το εργαλείο σταματάει αυτόματα. Εάν το προϊόν δεν τίθεται σε λειτουργία ακόμα και όταν πραγματοποιείται χειρισμός των διακοπών, βγάλτε τις μπαταρίες από το εργαλείο και φορτίστε τις.

Δράση διακόπτη

► **Εικ.10:** 1. Διακόπτης αναμονής 2. Κουμπί λειτουργίας 3. Κουμπί ρύθμισης δύναμης αναρρόφησης

Για να ξεκινήσετε τη σκούπα:



1. Θέστε το διακόπτη αναμονής στην πλευρά «I». Η σκούπα μεταβαίνει σε κατάσταση αναμονής.

2. Πατήστε το κουμπί λειτουργίας.

Για να μεταβεί η σκούπα σε κατάσταση αναμονής, πατήστε ξανά το κουμπί λειτουργίας.

Για να σβήσετε τη σκούπα, θέστε το διακόπτη αναμονής στην πλευρά «O».

Η ισχύς αναρρόφησης μπορεί να ρυθμιστεί ανάλογα με την απαιτούμενη εργασία.

Η ισχύς αναρρόφησης μπορεί να αυξηθεί αν περιστρέψετε το κουμπί ρύθμισης δύναμης αναρρόφησης από το σύμβολο  στο σύμβολο .

ΕΙΔΟΠΟΙΗΣΗ: Να θέτετε πάντα το διακόπτη αναμονής στην πλευρά «O» όταν δεν πρόκειται να χρησιμοποιήσετε τη σκούπα για μεγάλο χρονικό διάστημα. Η σκούπα καταναλώνει ισχύ σε κατάσταση αναμονής.

Αυτόματη διακοπή αναρρόφησης κατά τη λειτουργία υγρής αναρρόφησης

Μόνο για το μοντέλο υφασμάτινου φίλτρου

ΠΡΟΕΙΔΟΠΟΙΗΣΗ: Μη χρησιμοποιείτε για πολύ χρόνο ενώ ο πλωτήρας βρίσκεται σε λειτουργία. Αν χρησιμοποιήσετε τη σκούπα με τον πλωτήρα σε λειτουργία για πολύ χρόνο, μπορεί να προκληθεί υπερθέρμανση, έχοντας ως αποτέλεσμα την παραμόρφωση της σκούπας.

ΠΡΟΕΙΔΟΠΟΙΗΣΗ: Μην συλλέγετε αφρό ή σαπουνώδες υγρό. Αν συλλέξετε αφρό ή σαπουνώδες υγρό, μπορεί να εξέλθει αφρός από την έξοδο αέρα πριν λειτουργήσει ο πλωτήρας. Αν συνεχίσετε να χρησιμοποιείτε τη σκούπα σε αυτή την κατάσταση, μπορεί να προκληθεί ηλεκτροπληξία και καταστροφή της σκούπας.

Η αυτόματη διακοπή αναρρόφησης λειτουργεί μόνο όταν γίνεται χρήση με τον πλωτήρα και κλωβό πλωτήρα.

Η σκούπα διαθέτει ένα μηχανισμό πλωτήρα που εμποδίζει την είσοδο του νερού στο μοτέρ κατά τη συλλογή μιας ορισμένης ποσότητας νερού και άνω. Όταν η δεξαμενή είναι γεμάτη και η σκούπα δεν συλλέγει πλέον νερό, σβήστε τη σκούπα και αδειάστε τη δεξαμενή.

Κλείδωμα ή ξεκλείδωμα του τροχίσκου

► **Εικ.11:** 1. Τροχίσκος 2. Μοχλός αναστολέα 3. ΕΛΕΥΘΕΡΗ Θέση 4. ΚΛΕΙΔΩΜΕΝΗ θέση

Το κλείδωμα του τροχίσκου είναι βολικό όταν αποθηκεύετε τη σκούπα, όταν διακόπτετε την εργασία και όταν κρατάτε τη σκούπα ακίνητη.

Για να θέσετε τον αναστολέα σε λειτουργία, μετακινήστε τον με το χέρι.

Για να κλειδώσετε το τροχίσκο με τον αναστολέα, χαμηλώστε το μοχλό αναστολέα και ο τροχίσκος πλέον δεν θα περιστρέφεται. Για να απελευθερώσετε τον τροχίσκο από την κλειδωμένη θέση, σηκώστε το μοχλό αναστολέα.

ΠΑΡΑΤΗΡΗΣΗ: Όταν μετακινείτε τη σκούπα, βεβαιωθείτε ότι ο τροχίσκος είναι ξεκλειδωτός. Αν μετακινήσετε τη σκούπα με τον τροχίσκο στην κλειδωμένη θέση, μπορεί να προκληθεί ζημιά στον τροχίσκο.

Λαβή μεταφοράς

Όταν μεταφέρετε τη σκούπα, να την κρατάτε από τη λαβή στην κεφαλή. Η λαβή είναι ανασυρόμενη στην κεφαλή όταν δεν χρησιμοποιείται.

► **Εικ.12**

ΣΥΝΑΡΜΟΛΟΓΗΣΗ

▲ΠΡΟΣΟΧΗ: Να βεβαιώνετε πάντα ότι η σκούπα είναι σβηστή, αποσυνδεδεμένη και η κασέτα μπαταριών έχει αφαιρεθεί, πριν εκτελέσετε κάποια εργασία στη σκούπα.

▲ΠΡΟΣΟΧΗ: Να φοράτε πάντα μάσκα σκόνης κατά τη συναρμολόγηση ή συντήρηση.

Τοποθέτηση του φίλτρου πούδρας (HEPA) και προφίλτρου (για ξηρή σκόνη)

Προαιρετικό εξάρτημα για το μοντέλο υφασμάτινου φίλτρου

▲ΠΡΟΣΟΧΗ: Μη συλλέγετε ποτέ νερό ή άλλα υγρά ή υγρή σκόνη όταν χρησιμοποιείτε το φίλτρο πούδρας. Η συλλογή τέτοιων υλικών μπορεί να προκαλέσει την καταστροφή του φίλτρου πούδρας.

Για τη χρήση του φίλτρου πούδρας:

1. Αφαιρέστε τα μπουλόνια για να βγάλετε τον κλωβό πλωτήρα και τον πλωτήρα.

► **Εικ.13:** 1. Πλωτήρας 2. Κλωβός πλωτήρα

2. Τοποθετήστε το προφίλτρο στη δεξαμενή ευθυγραμμίζοντας τις ενδείξεις θέσεις στήριξης.

3. Στερεώστε τον αποσβεστήρα στο φίλτρο πούδρας και μετά τοποθετήστε τα στο προφίλτρο ευθυγραμμίζοντάς τα με τις ενδείξεις θέσεις στήριξης.

4. Τέλος, στερεώστε το κάλυμμα δεξαμενής και κλειδώστε το.

► **Εικ.14:** 1. Κάλυμμα δεξαμενής 2. Φίλτρο πούδρας (HEPA) 3. Αποσβεστήρας 4. Προφίλτρο 5. Δεξαμενή 6. Ένδειξη θέσης στήριξης

ΕΙΔΟΠΟΙΗΣΗ: Πριν χρησιμοποιήσετε το φίλτρο πούδρας, βεβαιωθείτε ότι το προφίλτρο και ο αποσβεστήρας χρησιμοποιούνται πάντα μαζί. Δεν επιτρέπεται η τοποθέτηση του φίλτρου πούδρας μόνο του.

Τοποθέτηση του φίλτρου νερού

Προαιρετικό εξάρτημα για το μοντέλο υφασμάτινου φίλτρου

▲ΠΡΟΣΟΧΗ: Μη συλλέγετε ποτέ νερό ή υγρή σκόνη χωρίς τον πλωτήρα και το υφασμάτινο φίλτρο ή το φίλτρο νερού.

▲ΠΡΟΣΟΧΗ: Για τη συλλογή υγρής σκόνης, βεβαιωθείτε ότι ο κλωβός πλωτήρα και ο πλωτήρας είναι τοποθετημένοι στη σκούπα.

▲ΠΡΟΣΟΧΗ: Όταν τοποθετείτε το φίλτρο νερού στη δεξαμενή, τοποθετήστε το σφικτά στο άνοιγμα της δεξαμενής με τρόπο ώστε ο γάντζος στο φίλτρο νερού να δεσμεύει σταθερά το άνοιγμα δεξαμενής και να μην υπάρχει χώρος μεταξύ του φίλτρου νερού και της δεξαμενής.

Για να συλλέξετε το νερό ή την υγρή σκόνη μόνο, το φίλτρο νερού είναι πιο κατάλληλο από το υφασμάτινο φίλτρο.

Όταν τοποθετείτε το φίλτρο νερού, ευθυγραμμίστε την ένδειξη θέσης στήριξης με αυτή στη δεξαμενή.

► **Εικ.15:** 1. Φίλτρο νερού 2. Δεξαμενή 3. Ένδειξη θέσης στήριξης

ΠΑΡΑΤΗΡΗΣΗ: Συνιστάται να χρησιμοποιήσετε το φίλτρο νερού όταν συλλέγετε επανειλημμένα μεγάλες ποσότητες νερού. Διαφορετικά, η ικανότητα αναρρόφησης μπορεί να μειωθεί στην περίπτωση υφασμάτινου φίλτρου.

Τοποθέτηση του χάρτινου πακέτου

Προαιρετικό εξάρτημα

▲ΠΡΟΕΙΔΟΠΟΙΗΣΗ: Όταν χρησιμοποιείτε το χάρτινο πακέτο, να χρησιμοποιείτε μαζί και το υφασμάτινο φίλτρο ή το προφίλτρο που είναι προεγκατεστημένο στη σκούπα. Αν δεν χρησιμοποιήσετε μαζί το υφασμάτινο φίλτρο / προφίλτρο, μπορεί να προκληθεί ασυνήθιστος θόρυβος και θερμότητα, έχοντας ως αποτέλεσμα την πυρκαγιά.

▲ΠΡΟΣΟΧΗ: (Για το μοντέλο υφασμάτινου φίλτρου)

- Μη συλλέγετε ποτέ νερό ή άλλα υγρά ή υγρή σκόνη όταν χρησιμοποιείτε το χάρτινο πακέτο. Η συλλογή τέτοιων υλικών μπορεί να προκαλέσει την καταστροφή του χάρτινου πακέτου.
- Πριν χρησιμοποιήσετε το χάρτινο πακέτο, βεβαιωθείτε ότι το φίλτρο πούδρας (προαιρετικό εξάρτημα), ο αποσβεστήρας (προαιρετικό εξάρτημα) και το προφίλτρο χρησιμοποιούνται πάντα μαζί.

▲ΠΡΟΣΟΧΗ: (Για το μοντέλο φίλτρου πούδρας)

- Πριν χρησιμοποιήσετε το χάρτινο πακέτο, βεβαιωθείτε ότι το φίλτρο πούδρας, ο αποσβεστήρας και το προφίλτρο χρησιμοποιούνται πάντα μαζί.

1. Βγάλτε τον ελαστικό υποδοχέα.
▶ **Εικ.16:** 1. Ελαστικός υποδοχέας
2. Επεκτείνετε το χάρτινο πακέτο.
3. Ευθυγραμμίστε το άνοιγμα του χάρτινου πακέτου με το άνοιγμα της αναρρόφησης σκόνης της σκούπας.
4. Εισαγάγετε το χαρτόνι του χάρτινου πακέτου στον υποδοχέα ώστε να τοποθετηθεί στο άκρο πέρα από την προεξοχή συγκράτησης.
▶ **Εικ.17:** 1. Χάρτινο πακέτο 2. Υποδοχέας

Τοποθέτηση της πολυαιθυλενικής σακούλας

Η σκούπα μπορεί να χρησιμοποιηθεί και χωρίς την πολυαιθυλενική σακούλα. Ωστόσο, το άδειασμα της δεξαμενής είναι πιο εύκολο με τη χρήση πολυαιθυλενικής σακούλας ώστε να μην λερώσετε τα χέρια σας.

Απλώστε την πολυαιθυλενική σακούλα στη δεξαμενή. Εισαγάγετε το μεταξύ της πλάκας υποδοχέα και της δεξαμενής, και τραβήξτε τον προς την είσοδο εύκαμπτου σωλήνα.
▶ **Εικ.18:** 1. Πλάκα υποδοχέα 2. Πολυαιθυλενική σακούλα

Απλώστε τη σακούλα γύρω από το πάνω μέρος της δεξαμενής με τρόπο ώστε το άκρο του υφασμάτινου φίλτρου / προφίλτρου να μπορεί να πιάσει και να συγκρατήσει τη σακούλα με ασφάλεια.

▶ **Εικ.19:** 1. Υφασμάτινο φίλτρο / προφίλτρο

ΠΑΡΑΤΗΡΗΣΗ: Μπορεί να χρησιμοποιηθεί πολυαιθυλενική σακούλα που διατίθεται στην αγορά. Συνιστάται ένας με πάχος 0,04 mm ή μεγαλύτερο.

ΠΑΡΑΤΗΡΗΣΗ: Η πολλή σκόνη θα σκίσει τη σακούλα με ευκολία, για το λόγο αυτό μη συλλέξετε περισσότερη σκόνη από τη μισή χωρητικότητα της σακούλας.

Άδειασμα της πολυαιθυλενικής σακούλας

▲ ΠΡΟΕΙΔΟΠΟΙΗΣΗ: Να βεβαιώνετε πάντα ότι η σκούπα είναι σβηστή, αποσυνδεδεμένη και η κασέτα μπαταριών έχει αφαιρεθεί, πριν αδειάσετε την πολυαιθυλενική σακούλα. Αν δεν το κάνετε αυτό, μπορεί να προκληθεί ηλεκτροπληξία και σοβαρός ατομικός τραυματισμός.

▲ ΠΡΟΣΟΧΗ: Μην ασκείτε μεγάλη δύναμη στον κλωβό πλωτήρα και τη δεξαμενή. Αν ασκήσετε μεγάλη δύναμη, μπορεί να προκληθεί παραμόρφωση και ζημιά στα εξαρτήματα.

▲ ΠΡΟΣΟΧΗ: Να αδειάζετε τη δεξαμενή τουλάχιστον μία φορά την ημέρα, αν και αυτό εξαρτάται από τον όγκο της σκόνης που έχετε συλλέξει στη δεξαμενή. Διαφορετικά, η ισχύς αναρρόφησης θα μειωθεί και το μοτέρ θα σπάσει.

▲ ΠΡΟΣΟΧΗ: Μην αρπάζετε τον γάντζο όταν αδειάζετε τη δεξαμενή. Αν αρπάζετε τον γάντζο, μπορεί να προκληθεί σπάσιμο του γάντζου.

Απαγκιστρώστε και σηκώστε το κάλυμμα δεξαμενής. Τινάζτε τη σκόνη από το υφασμάτινο φίλτρο / προφίλτρο και μετά βγάλετε την πολυαιθυλενική σακούλα από τη δεξαμενή.

▶ **Εικ.20**

ΠΑΡΑΤΗΡΗΣΗ: Βγάλετε προσεκτικά την πολυαιθυλενική σακούλα από τη δεξαμενή ώστε η πολυαιθυλενική σακούλα να μην μπορεί να πιαστεί και να σκιστεί από την προεξοχή στο εσωτερικό της δεξαμενής όταν την αδειάζετε.

ΠΑΡΑΤΗΡΗΣΗ: Αδειάστε την πολυαιθυλενική σακούλα πριν γεμίσει. Η πολλή σκόνη στη δεξαμενή μπορεί να προκαλέσει το σκίσιμο της πολυαιθυλενικής σακούλας.

Τοποθέτηση της εργαλειοθήκης

1. Απασφαλίστε το κλειδίωμα στο κάλυμμα μπαταριών και ανοίξτε το κάλυμμα μπαταριών.
2. Τοποθετήστε τις ράγες στην εργαλειοθήκη επάνω στις εγκοπές στο περίβλημα.
3. Κλείστε το κάλυμμα μπαταριών και κλειδώστε το.
▶ **Εικ.21**

Η εργαλειοθήκη είναι βολική για τη μεταφορά μπαταριών, καλωδίου προέκτασης, σωλήνα ή σιμίων.

▶ **Εικ.22**

Σύνδεση του εύκαμπτου σωλήνα

ΕΙΔΟΠΟΙΗΣΗ: Αποφύγετε την άσκηση καμπτικής ή συνθλιπτικής δύναμης στον εύκαμπο σωλήνα. Μη μετακινείτε ποτέ τη σκούπα από τον εύκαμπο σωλήνα. Η άσκηση δύναμης, η σύνθλιψη και το τράβηγμα του εύκαμπτου σωλήνα μπορεί να προκαλέσει σπάσιμο ή παραμόρφωση του εύκαμπτου σωλήνα.

ΕΙΔΟΠΟΙΗΣΗ: Όταν συλλέγετε μεγάλα απόβλητα όπως θραύσματα πλάνης, σκόνη σιμέντου ή παρόμοια υλικά, εκτός από απόβλητα μικρού μεγέθους, να χρησιμοποιείτε τον εύκαμπο σωλήνα με εσωτερική διάμετρο 38 mm (προαιρετικό εξάρτημα). Η χρήση εύκαμπτου σωλήνα με εσωτερική διάμετρο 28 mm (προαιρετικό εξάρτημα) μπορεί να προκαλέσει το φράξιμο και τη βλάβη του εύκαμπτου σωλήνα.

Εισαγάγετε τον εύκαμπο σωλήνα μέσα στη θύρα στερέωσης της δεξαμενής και περιστρέψτε τον δεξιάστροφα μέχρι να ασφαλίσει.

▶ **Εικ.23**

ΣΥΝΤΗΡΗΣΗ

▲ ΠΡΟΣΟΧΗ: Να βεβαιώνετε ότι η σκούπα είναι σβηστή, αποσυνδεδεμένη και η κασέτα μπαταριών έχει αφαιρεθεί, πριν επιτελέσετε να εκτελέσετε οποιαδήποτε εργασία επιθεώρησης ή συντήρησης.

ΕΙΔΟΠΟΙΗΣΗ: Μην χρησιμοποιείτε ποτέ βενζίνη, πετρελαϊκό αιθέρα, διαλυτικό, αλκοόλη ή παρόμοιες ουσίες. Μπορεί να προκληθεί αποχρωματισμός, παραμόρφωση ή ρωγμές.

Για τη διατήρηση της ΑΣΦΑΛΕΙΑΣ και ΑΞΙΟΠΙΣΤΙΑΣ του προϊόντος, οι επισκευές και οποιαδήποτε άλλη εργασία συντήρησης ή ρύθμισης πρέπει να εκτελούνται από εξουσιοδοτημένα ή εργοστασιακά κέντρα εξυπηρέτησης της Makita, χρησιμοποιώντας πάντοτε ανταλλακτικά της Makita.

Αποθήκευση του ηλεκτρικού καλωδίου

Μπορείτε να τυλίξετε το ηλεκτρικό καλώδιο γύρω από την εργαλειοθήκη.

► **Εικ.24**

Αποθήκευση των εξαρτημάτων

Οι σωλήνες μπορούν να τοποθετηθούν μέσα στον υποδοχέα σωλήνα όταν δεν πρόκειται να χρησιμοποιήσετε τη σκούπα για σύντομο χρονικό διάστημα.

► **Εικ.25**

► **Εικ.26**

Ο εύκαμπτος σωλήνας μπορεί να αποθηκευτεί γύρω από το εργαλείο συνδέοντας κάθε άκρο.

► **Εικ.27**

Καθάρισμα του υφασμάτινου φίλτρου

Μόνο για το μοντέλο υφασμάτινου φίλτρου

Το φραγμένο υφασμάτινο φίλτρο προκαλεί ανεπαρκή απόδοση αναρρόφησης.

Να καθαρίζετε περιστασιακά το υφασμάτινο φίλτρο.

Για να αφαιρέσετε τη σκόνη ή τα σωματίδια που προσκολλούνται στο υφασμάτινο φίλτρο, ανακινήστε το κάτω μέρος του πλαισίου αρκετές φορές γρήγορα.

► **Εικ.28:** 1. Υφασμάτινο φίλτρο

Καθάρισμα του φίλτρου πούδρας (HEPA) και προφίλτρου

Μόνο για το μοντέλο φίλτρου πούδρας

Το φραγμένο φίλτρο πούδρας, το προφίλτρο και ο αποσβεστήρας προκαλούν ανεπαρκή απόδοση αναρρόφησης. Να καθαρίζετε περιστασιακά τα φίλτρα και τους αποσβεστήρες.

Για να αφαιρέσετε τη σκόνη ή τα σωματίδια που προσκολλούνται στα φίλτρα, ανακινήστε το κάτω μέρος του πλαισίου αρκετές φορές γρήγορα.

► **Εικ.29**

Να πλένετε περιστασιακά το φίλτρο πούδρας σε νερό, να το ξεπλένετε και να το στεγνώνετε πολύ καλά υπό σκιά, πριν από τη χρήση. Μην πλένετε ποτέ φίλτρα στο πλυντήριο.

ΠΑΡΑΤΗΡΗΣΗ: Μην τρίβετε ή γρατζουνάτε το φίλτρο πούδρας, το προφίλτρο ή τον αποσβεστήρα με σκληρά αντικείμενα όπως βούρτσα ή σπάτουλα.

ΠΑΡΑΤΗΡΗΣΗ: Τα φίλτρα φθείρονται με το πέρασμα του χρόνου. Συνιστάται να έχετε ανταλλακτικά.

ΠΡΟΑΙΡΕΤΙΚΑ ΕΞΑΡΤΗΜΑΤΑ

ΠΡΟΣΟΧΗ: Αυτά τα εξαρτήματα ή προσαρτήματα συνιστώνται για χρήση με το εργαλείο Makita που περιγράφηκε στις οδηγίες αυτές. Η χρήση οποιωνδήποτε άλλων εξαρτημάτων ή προσαρτημάτων μπορεί να προκαλέσει κίνδυνο τραυματισμού σε άτομα. Να χρησιμοποιείτε τα εξαρτήματα ή προσαρτήματα μόνο για την χρήση που προορίζονται.

Εάν χρειάζεστε οποιαδήποτε βοήθεια για περισσότερες πληροφορίες σε σχέση με αυτά τα εξαρτήματα, απαντήστε στο τοπικό σας κέντρο εξυπηρέτησης Makita.

- Εύκαμπτος σωλήνας
- Μπροστινό στόμιο (22, 24, 38)
- Ευθύς σωλήνας
- Ακροφύσιο γωνιών
- Στρογγυλή βούρτσα
- Φίλτρο πούδρας, HEPA (για ξηρή σκόνη)
- Αποσβεστήρας
- Προφίλτρο
- Διάταξη ακροφυσίου
- Λυγισμένος σωλήνας
- Πολυαιθυλενική σακούλα
- Χάρτινο πακέτο
- Σύνολο υποδοχέα
- Φίλτρο νερού (επιλογή για το μοντέλο υφασμάτινου φίλτρου)
- Γνήσια μπαταρία και φορτιστής της Makita

ΠΑΡΑΤΗΡΗΣΗ: Μερικά στοιχεία στη λίστα μπορεί να συμπεριλαμβάνονται στη συσκευασία εργαλείου ως στάνταρ εξαρτήματα. Μπορεί να διαφέρουν ανάλογα με τη χώρα.

UYARI

Bu makine fiziksel, duyuşsal ya da zihinsel yetenekleri kısıtlı olan veya deneyim ya da bilgileri olmayan kişiler (çocuklar dahil) tarafından kullanıma uygun deęildir.

Aletle oynamadıklarından emin olmak için çocuklar kontrol altında bulundurulmalıdır.

TEKNİK ÖZELLİKLER

Model:		DVC150L	DVC151L
Standart filtre türü		Kumaş filtre (ıslak ve kuru tozlar için)	Toz filtresi (kuru tozlar için)
Hacimsel akış (hava)	DC çalışma (BL1850B, ø38 mm x 2,5 m hortumla)	2,1 m ³ /min	
	AC çalışma (ø38 mm x 2,5 m hortumla)	3,6 m ³ /min	
Vakum	DC çalışma (BL1850B, ø38 mm x 2,5 m hortumla)	9,0 kPa	
	AC çalışma (ø38 mm x 2,5 m hortumla)	24,0 kPa	
Elde edilebilir kapasite	Toz	15 L	
	Su	12 L	-
Ebat (U x G x Y)		366 mm x 334 mm x 421 mm	
Nominal voltaj		D.C. 36 V	
Net ağırlık		8,9 - 9,6 kg	9,6 - 10,3 kg
Emniyet sınıfı		□/II	

- Sürekli yapılan araştırma ve geliştirmelerden dolayı, burada belirtilen özellikler önceden bildirilmeksizin deęiştirilebilir.
- Özellikler ve batarya kartuşu ülkeden ülkeye deęişebilir.
- Ağırlık, batarya kartuşu/kartuşları hariç aksesuarları içermez. Cihazın ve batarya kartuşunun/kartuşlarının en hafif ve en ağır birleşik ağırlığı tabloda gösterilmiştir.
- Islak tozlar için, şamandıra ve su filtresi veya kumaş filtre gereklidir.

Geçerli batarya kartuşu ve şarj aleti

Batarya kartuşu	BL1815N / BL1820 / BL1820B / BL1830 / BL1830B / BL1840 / BL1840B / BL1850 / BL1850B / BL1860B
Şarj aleti	DC18RC / DC18RD / DC18RE / DC18SD / DC18SE / DC18SF

- Yukarıda listelenen batarya kartuşlarının ve şarj aletlerinin bazıları yaşadığınız bölgeye baęlı olarak mevcut olmayabilir.

UYARI: Sadece yukarıda listelenen batarya kartuşlarını ve şarj aletlerini kullanın. Başka batarya kartuşlarının ve şarj aletlerinin kullanılması yaralanma ve/veya yangına neden olabilir.

Semboller

Aşağıdakiler makineniz için kullanılan sembolleri göstermektedir. Kullanmadan önce manalarını anladığınızdan emin olunuz.



El kitabını okuyun.



Çok özenli ve dikkatli kullanın.



Uyarı! Süpürge tehlikeli tozlar içerebilir.



Asla süpürge üzerine çıkmayın.



Toz sınıfı: L (hafif): Süpürgeler, L sınıfı tozları toplamak içindir. Tozlara ve mesleki tehlikelere ve güvenliğe ilişkin olarak ülkemizdeki yönetmeliklere uyun.



ÇİFT YALITIMLI



Ni-MH
Li-Ion

Sadece AB ülkeleri için
Elektrik donanımını ve batarya kutusunu evsel atıklarla birlikte bertaraf etmeyiniz!
Atık Elektrikli ve Elektronik Donanımlar, bataryalar ve Akümülatörler ve Atık bataryalar ve Akümülatörler konusundaki Avrupa Direktifleri ve bunların ulusal yasalara uygulanmaları uyarınca, kullanım ömürleri biten elektrikli donanımların, bataryaların ve batarya takım(lar)ının ayrı toplanmaları ve çevreye uyumlu bir geri kazanım tesisine getirmeleri gereklidir.

Kullanım amacı

Alet; oteller, okullar, hastaneler, fabrikalar, dükkanlar, ofisler ve kiralama hizmetleri gibi ticari kullanımlar için uygundur.

DVC150L

Bu alet ıslak ve kuru tozları toplamak amacıyla kullanılır.

DVC151L

Bu alet sadece kuru tozları toplamak amacıyla kullanılır.

Güç kaynağı

Aletin, yalnızca isim levhasında belirtilenle aynı voltajlı güç kaynağına bağlanması gerekir ve yalnızca tek fazlı AC güç kaynağıyla çalıştırılabilir. Çifte yalıtımlıdır ve topraklamasız prizlerle de kullanılabilir.

Gürültü

Tipik A-ağırlıklı gürültü düzeyi (EN60335-2-69 standardına göre belirlenen):

Model DVC150L

Ses basınç seviyesi (L_{pA}): 75 dB (A)

Belirsizlik (K): 2,5 dB (A)

Model DVC151L

Ses basınç seviyesi (L_{pA}): 75 dB (A)

Belirsizlik (K): 2,5 dB (A)

İşlem sırasında gürültü seviyesi 80 dB (A)'yi geçebilir.

NOT: Beyan edilen gürültü emisyonu değer(ler)i bir standart test yöntemine uygun şekilde ölçülmüştür ve bir aleti bir başkasıyla karşılaştırmak için kullanılabilir.

NOT: Beyan edilen gürültü emisyonu değer(ler)i bir ön maruz kalma değerlendirmesi olarak da kullanılabilir.

UYARI: Kulak koruyucuları takın.

UYARI: Elektrikli aletin gerçek kullanımı sırasındaki gürültü emisyonu, aletin kullanım biçimlerine, özellikle işlenen iş parçasının türüne bağlı olarak beyan edilen değer(ler)den farklı olabilir.

UYARI: Gerçek kullanım koşullarındaki tahmini maruziyeti baz alan, operatörü koruyacak güvenlik önlemlerini mutlaka belirleyin (çalışma döngüsü içerisinde aletin kapalı olduğu ve aktif durumda olmasının yanı sıra boşta çalıştığı zamanlar gibi, bütün zaman dilimleri göz önünde bulundurarak).

Titreşim

Titreşim toplam değeri (üç eksenli vektör toplamı) (EN60335-2-69 standardına göre hesaplanan):
Titreşim emisyonu ($a_{h,M}$): 2,5 m/s² den az
Belirsizlik (K) : 1,5 m/s²

NOT: Beyan edilen titreşim toplam değeri bir standart test yöntemine uygun şekilde ölçülmüştür ve bir aleti bir başkasıyla karşılaştırmak için kullanılabilir.

NOT: Beyan edilen titreşim toplam değeri bir ön maruz kalma değerlendirmesi olarak da kullanılabilir.

UYARI: Elektrikli aletin gerçek kullanımı sırasındaki titreşim emisyonu, aletin kullanım biçimlerine, özellikle işlenen iş parçasının türüne bağlı olarak beyan edilen değer(ler)den farklı olabilir.

UYARI: Gerçek kullanım koşullarındaki tahmini maruziyeti baz alan, operatörü koruyacak güvenlik önlemlerini mutlaka belirleyin (çalışma döngüsü içerisinde aletin kapalı olduğu ve aktif durumda olmasının yanı sıra boşta çalıştığı zamanlar gibi, bütün zaman dilimleri göz önünde bulundurarak).

EC Uygunluk Beyanı

Sadece Avrupa ülkeleri için

EC uygunluk beyanı bu kullanım kılavuzuna Ek A olarak eklenmiştir.

GÜVENLİK UYARILARI

Kablolu ve akülü süpürge güvenlik uyarıları

⚠UYARI: ÖNEMLİ KULLANMADAN ÖNCE tüm güvenlik uyarılarını ve tüm talimatları **DİKKATLE OKUYUN**. Uyarılara ve talimatlara uyulmaması elektrik şoku, yangın ve/veya ciddi yaralanmalar ile sonuçlanabilir.

1. Kullanmadan önce, bu süpürgeyi kullanacak kişilerin bu süpürgeyi kullanımı konusunda yeterince bilgilendirildiğinden emin olun.
2. Köpük ya da sıvı çıkıyorsa aleti derhal kapatın.
3. Su seviyesi sınırlama cihazını düzenli olarak temizleyin ve hasar belirtilerine karşı inceleyin.
4. Süpürgeyi filtresiz kullanmayın. Hasarlı filtreyi hemen değiştirin.
5. **UZATMA KABLOSU KULLANIMI.** Güç kaynağımıza olan mesafe uzak olduğu için uzatma kablosu kullanırken yeterince kalın ancak çok uzun olmayan bir kablo kullanmaya çalışın, aksi takdirde süpürge performansı olumsuz etkilenir. Açık hava uygulamaları için açık havada kullanılmaya uygun bir uzatma kablosu kullanın.
6. **GERİLİM UYARISI:** Süpürgeyi bir güç kaynağına (priz, duvar prizi, vb.) bağlamadan önce beslenen gerilimin süpürgeyi isim plakasında belirtilenle aynı olduğundan emin olun. Süpürge için belirtilenden daha yüksek gerilimli bir güç kaynağı, kullanıcının **CİDDİ YARALANMASINA** ve süpürgeyi hasar görmesine neden olabilir. Şüphe duyarsanız **SÜPÜRGEYİ PRİZE TAKMAYIN.** İsim plakasında belirtilenden daha düşük gerilimli bir güç kaynağı kullanılması motor için zararlıdır.
7. **İSTEM DIŞI BAŞLATMAYI ÖNLEYİN.** Fişi prize takarken anahtarın **KAPALI** konumunda olduğundan emin olun.
8. Yanıcı malzemeleri, havai fişekleri, yanan sigaraları, sıcak külleri, sıcak metal parçaları; jilet, iğne, kırık cam vb. keskin malzemeleri süpürgeyle çekmeye çalışmayın.
9. **SÜPÜRGEYİ ASLA BENZİN, GAZ, BOYA, YAPIŞTIRICILAR YA DA DİĞER YÜKSEK ORANDA PATLAYICI ÖZELLİĞİ OLAN MADDELERİN YAKININDA KULLANMAYIN.** AÇMA ve KAPAMA sırasında anahtardan kıvılcım çıkar. Kullanım sırasında motor kolektöründen de kıvılcım çıkar. Ciddi bir patlama meydana gelebilir.
10. Asbest, arsenik, baryum, berilyum, kurşun, pestisitler gibi zehirli, kanserojen, yanıcı veya diğer tehlikeli maddeleri veya sağlığa zararlı maddeleri süpürgeyle çekmeyin.
11. Süpürgeyi yağmurlu havalarda dışarıda asla kullanmayın.
12. Isı kaynaklarının yakınında kullanmayın (ocak vb.).
13. **ELEKTRİK ÇARPMASINA KARŞI KORUMA.** Vücudun topraklı yüzeylere temas etmesini önleyin. Örneğin borular, radyatörler, fırınlar, buzdolabı gövdeleri.
14. Soğutma kanallarını kapatmayın. Bu kanallar motorun soğumasını sağlar. Kanalların kapatılmasından dikkatle kaçınılmalıdır, aksi takdirde yetersiz havalandırma nedeniyle motor yanar.
15. Her zaman yere sağlam basın ve dengeyi koruyun.
16. **SÜPÜRGEYİ KÖTÜYE KULLANMAYIN.** Süpürgeyi asla kablosundan taşımayın veya prizden ayırmak için aniden çekmeyin. Kabloyu ısı, yağ ve keskin uçlardan uzak tutun. Süpürge kablolarını düzenli olarak kontrol edin ve hasarlı ise yetkili servis tesisine tamir ettirin. Uzatma kablolarını düzenli olarak kontrol edin ve hasar görmüşse değiştirin.
17. Hortumu katlamayın, çekiştirmeyin veya üzerine basmayın.
18. Kullanım sırasında performansta zayıflama ya da normal olmayan herhangi bir durum tespit ettiğinizde süpürgeyi derhal durdurun.
19. **SÜPÜRGEYİ AYIRIN.** Kullanılmadığında, servis işlemlerinden önce ve aksesuarları değiştirirken.
20. Süpürgeyi en iyi kullanım koşullarında tutmak için her kullanımdan sonra süpürgeyi derhal temizleyin ve bakımını yapın.
21. **SÜPÜRGENİN BAKIMINI DİKKATLİ BİR ŞEKİLDE YAPIN.** Daha iyi ve güvenli performans için süpürgeyi temiz tutun. Aksesuarların değiştirilmesi için talimatlara uyun. Tutamakları kuru, temiz ve yağ ve gres bulaşmamış halde bulundurun.
22. **HASARLI PARÇALARI KONTROL EDİN.** Süpürgeyi kullanmaya devam etmeden önce, hasar görmüş siper ya da başka bir parça, uygun şekilde çalışıp çalışmayacağını ve amaçlanan işlevi görüp göremeyeceğini belirlemek amacıyla, dikkatli bir şekilde kontrol edilmelidir. Hareketli parçaların hizalanmalarını, bağlantılarını, parçalardaki kırıkları, montajlarını ve işleyişi etkileyebilecek başka durumları kontrol edin. Hasar görmüş siper ya da başka bir parça, bu kullanım kılavuzunda başka bir yer belirtilmediği sürece yetkili bir servis merkezi tarafından onarılmalı ya da değiştirilmelidir. Arızalı anahtarları yetkili servis merkezinde değiştirin. Anahtar süpürgeyi açıp kapatmıyorsa süpürgeyi kullanmayın.
23. **YEDEK PARÇALAR.** Servis için sadece aynı yedek parçaları kullanın.
24. **SÜPÜRGENİN KULLANILMADIĞI ZAMAN SAKLANMASI.** Kullanılmadığında, süpürgeyi iç mekanlarda saklayın.
25. Islak filtreler ve sıvı kabının iç kısmı depolanmadan önce kurutulmalıdır.
26. Süpürgeyi özenle kullanın. Kaba kullanım en sağlam yapı süpürgeyi bile kırılmasına neden olabilir.
27. İçini ya da dışını benzin, tiner veya temizleyici kimyasallarla temizlemeye çalışmayın. Çatlaklar ya da renk değişiklikleri oluşabilir.

28. Yağ bazlı boya, boya inceltici, benzin, bazı güve yemez maddeler vb.den yanıcı, patlayıcı veya zehirli buharlar çıkan kapalı ortamlarda veya yanıcı tozların mevcut olduğu alanlarda süpürgeyi kullanmayın.
29. Temizlik işini bitirdikten sonra süpürge kablosunu yerde bırakmayın. Takılarak düşme tehlikesi oluşturabilir veya süpürgecinin hasar görmesine neden olabilir.
30. Bu aleti ya da diğer aletleri alkol veya ilaçların etkisi altında kullanmayın.
31. Temel bir güvenlik kuralı olarak güvenlik gözlükleri veya kenar siperli güvenlik gözlükleri kullanın.
32. Tozlu çalışma koşullarında bir toz maskesi kullanın.
33. Bu makine fiziksel, duyuşsal ya da zihinsel yetenekleri kısıtlı olan veya deneyim ya da bilgileri olmayan kişiler ve çocuklar tarafından kullanıma uygun değildir.
34. Küçük çocuklar, süpürgeyle oynamamaları için gözetilmelidir.
35. Fişli kablo veya süpürgeyi asla ıslak elle ellemeyin.
36. Merdivenlerde temizlik yaparken çok dikkatli olun.
37. Süpürgeyi basamak ya da çalışma tezgahı olarak kullanmayın. Makine devrilebilir ve kişisel yaralanmaya neden olabilir.

Bataryalı aletin kullanımı ve bakımı

1. Sadece üretici tarafından belirtilen şarj aleti ile şarj edin. Bir batarya kutusu için uygun olan şarj cihazı başka bir batarya kutusu ile kullanıldığında yangın riski oluşturabilir.
2. Elektrikli aletleri sadece özel olarak belirtilen batarya kutuları ile kullanın. Başka batarya kutularının kullanımı yaralanma ve yangın riski oluşturabilir.
3. Batarya kutusu kullanılmadığında; iki terminal arasında bağlantı kurulmasına sebep olabilecek ataç, bozuk para, anahtar, çivi, vida gibi metal nesnelere ya da küçük metal objelerden uzak tutun. Batarya terminallerine kısa devre yaptırmak yanıklara ya da yangına yol açabilir.
4. Kötü koşullarda bataryadan sıvı sızabilir; bu sıvıya temas etmeyin. Eğer istemeden bir temas olursa suyla yıkayın. Sıvı göze temas ederse, suyla yıkadıktan sonra tıbbi yardım alın. Bataryadan çıkan sıvı tahrişe ya da yanıklara neden olabilir.
5. Batarya kutusu ya da alet hasar görmüşse ya da üzerinde değişiklik yapılmışsa batarya kutusunu kullanmayın. Hasar görmüş ya da üzerinde değişiklik yapılmış batarya kutuları yangın, patlama ya da yaralanma riski ile sonuçlanan beklenmedik davranışlar sergileyebilir.
6. Batarya kutusunu veya aleti ateşe ya da aşırı sıcaklıklara maruz bırakmayın. Ateşe ya da 130 °C'nin üzerindeki sıcaklıklara maruz bırakmak patlamaya neden olabilir.

7. Tüm şarj talimatlarına uyun ve batarya kutusunu ya da aleti yönergelerde belirtilen sıcaklık aralığının dışındaki sıcaklıklarda şarj etmeyin. Uygun olmayan bir şekilde ya da belirtilen sıcaklık aralığının dışında şarj etmek bataryaya zarar verebilir ve yangın riskini artırabilir.

BU TALİMATLARI SAKLAYIN.

⚠UYARI: Ürünü kullanırken (defalarca kullanınca kazanılan) rahatlık ve tanıdıklık duygusunun ilgili ürünün güvenlik kurallarına sıkı sıkıya bağlı kalmanızı yerine geçmesine **ZİN VERMEYİN. YANLIŞ KULLANIM** veya bu kullanma kılavuzunda belirtilen emniyet kurallarına uymama ciddi yaralanmaya neden olabilir.

Batarya kartuşu hakkında önemli güvenlik talimatları

1. Batarya kartuşunu kullanmadan önce, tüm talimatları ve (1) batarya kartuşu, (2) batarya ve (3) ürün üzerindeki tüm uyarı işaretlerini okuyun.
2. Batarya kartuşunu demonte etmeyin.
3. Çalışma süresi aşırı derecede kısalmışsa kullanmayı derhal bırakın. Aşırı ısınma, yanma riski hatta patlamaya neden olabilir.
4. Gözünüze elektrolit kaçarsa, gözlerinizi temiz suyla durulayın ve hemen tıbbi yardım alın. Görme kaybına yol açabilir.
5. Batarya kartuşuna kısa devre yaptırmayın:
 - (1) Terminallere herhangi bir iletken madde değdirmeyin.
 - (2) Batarya kartuşunu çiviler, madeni paralar, vb. gibi başka metal nesnelere aynı kaba korbaktan kaçının.
 - (3) Batarya kartuşunu yağmura ya da suya maruz bırakmayın.
- Kısa devre, büyük bir akım akışına, aşırı ısınmaya, olası yanıklara hatta bataryanın bozulmasına yol açabilir.
6. Aleti ve batarya kartuşunu sıcaklığın 50°C ya da daha yükseğe ulaştığı yerlerde saklamayın.
7. Aşırı derecede hasar görmüş ya da tamamen kullanılamaz durumda olsa bile batarya kartuşunu yakmayın. Batarya kartuşu ateşe atılırsa patlayabilir.
8. Bataryayı düşürmemeye ve çarpmamaya dikkat edin.
9. Hasarlı bataryayı kullanmayın.
10. Aletin içerdığı lityum-iyon bataryalar Tehlikeli Eşyalar Yönetmeliğinin gereksinimlerine tabidir.

Ticari nakliye işlemleri için, örneğin üçüncü taraflar, nakliye acenteleri tarafından yapılan nakliyelerde, paketleme ve etiketleme gereksinimlerine uyulmalıdır.

Nakliyesi yapılacak ürünün hazırlanması için, tehlikeli maddeler konusunda uzman bir kişiye danışın. Lütfen muhtemelen daha ayrıntılı olan ulusal yönetmeliklere de uyun.

Açık kontakları bantlayın ya da maskeleyin ve bataryayı paketin içinde hareket etmeyecek şekilde paketleyin.

11. Bataryanın elden çıkarılması ile ilgili yerel düzenlemelere uyunuz.
12. Bataryaları sadece Makita tarafından belirtilen ürünlerle kullanın. Bataryaların uyumsuz ürünlere takılması; yangın, aşırı ısınma, patlama ya da elektrolit sızıntısına neden olabilir.

BU TALİMATLARI MUHAFAZA EDİNİZ.

⚠DİKKAT: Sadece orijinal Makita bataryalarını kullanın. Orijinal olmayan Makita bataryaları ya da üzerine değişiklik yapılmış bataryaların kullanımı bataryanın patlamasına ve sonuç olarak yangın, kişisel yaralanma ve hasara neden olabilir. Ayrıca Makita aleti ve şarj aletinin Makita tarafından sunulan garantisini de geçersiz olur.

Maksimum batarya ömrü için ipuçları

1. Batarya kartuşunu tamamen boşalmadan önce şarj edin. Aletin gücünün zayıflamaya başladığını fark ettiğinizde aleti durdurun ve batarya kartuşunu şarj edin.
2. Tam dolu bir batarya kartuşunu asla yeniden şarj etmeyin. Aşırı şarj etme bataryanın hizmet ömrünü kısaltır.
3. Batarya kartuşunu 10°C - 40°C oda sıcaklığında şarj edin. Sıcak bir batarya kartuşunu şarj etmeden önce soğumasını bekleyin.
4. Uzun bir süre (altı aydan daha fazla) kullanmadığınız durumlarda batarya kartuşunu şarj edin.

PARÇALARIN TANIMI

DVC150L Modeli

(Kumaş filtre içeren model (ıslak ve kuru tozlar için))

- **Şek.1:** 1. Hazne kapağı 2. Şamandıra 3. Şamandıra kafesi 4. Kumaş filtre 5. Hazne

DVC151L Modeli

(Toz filtresi içeren model (kuru tozlar için))

- **Şek.2:** 1. Hazne kapağı 2. Toz filtresi (HEPA) 3. Tampon 4. Ön filtre 5. Hazne

İŞLEVSEL NİTELİKLER

AC güç ile kullanım:

⚠UYARI: Süpürgeyi prize takmadan önce mutlaka süpürgeyi kapalı olduğunu kontrol edin. Süpürgeyi anahtar açık olarak prize takılması beklenmeyen çalışmaya neden olarak ciddi yaralanmalara yol açabilir.

Fişi bir güç kaynağına takın.

- **Şek.3:** 1. Fiş (şekil ve kablo uzunluğu ülkeden ülkeye farklılık gösterebilir)

Hazırda bekletme anahtarını "I" konumuna alırken AC güç göstergesi yanar.

- **Şek.4:** 1. AC güç göstergesi

NOT: DC güç modunda çalışılsa bile fiş prize takıldığında süpürge otomatik olarak AC güç moduna geçer.

NOT: Batarya takılı durumda çalışma sırasında süpürgeyi fişi prizden çekilirse süpürge bekleme durumuna geçer.

Batarya ile kullanım:

⚠DİKKAT: Süpürge üzerinde ayarlama ya da işlev kontrolü yapmadan önce süpürgeyi kapalı, fişi prizden çekilmiş ve batarya kartuşunun çıkarılmış olduğundan daima emin olun.

Batarya kartuşunun takılması ve çıkarılması

⚠DİKKAT: Batarya kartuşunu takmadan ya da çıkarmadan önce aleti daima kapatın.

⚠DİKKAT: Batarya kartuşunu takarken veya çıkarırken süpürgeyi ve batarya kartuşunu sıkıca tutun. Süpürgeyi ve batarya kartuşunun sıkıca tutulmaması bunların düşürülmesine sebep olabilir; süpürge ve batarya kartuşunun zarar görmesine ya da ciddi yaralanmalara yol açabilir.

⚠DİKKAT: Batarya kapağını açıp kapatırken parmaklarınızı sıkıştırmamaya dikkat edin. Bunun yapılmaması kişisel yaralanmalara sebep olabilir.

Batarya kartuşunu takmak için önce kilidi serbest bırakın ve ardından batarya kapağını açın. Ondan sonra batarya kartuşunu sokun.

- **Şek.5:** 1. Kilit 2. Batarya kapağı

Batarya kartuşu üstündeki dili yuvadaki olukla hizalayın ve yerine kaydırın. Hafif bir tık sesi duyulana kadar itip yerine tam oturmasını sağlayın. Ardından, batarya kapağını kilitleyin.

- **Şek.6:** 1. Batarya kartuşu

Batarya kartuşunu çıkarmak için, kartuşun ön tarafında bulunan düğmeyi kaydırarak batarya kartuşunu aletten çekerek ayırın.

⚠DİKKAT: Batarya kartuşunu her zaman kırmızı gösterge görünmeyecek şekilde tam olarak yerine oturtun. Aksi takdirde, süpürgeyi üzerinden kazara düşerek sizin ya da çevrenizdekilerin yaralanmasına neden olabilir.

⚠DİKKAT: Batarya kartuşunu zorlayarak takmayın. Kartuş kolay bir şekilde kaymıyorsa doğru yerleştirilmemiş demektir.

NOT: Süpürge sadece bir batarya kartuşu ile çalışmaz.

NOT: Süpürgeyi bataryalarla kullanırken süpürgeyi fişini uzatma kablosundan çıkarın.

Kalan batarya kapasitesinin gösterilmesi

Sadece göstergeli batarya kartuşları için

► **Şek.7:** 1. Gösterge lambaları 2. Kontrol düğmesi

Kalan batarya kapasitesini göstermesi için batarya kartuşu üzerindeki kontrol düğmesine basın. Gösterge lambaları birkaç saniye yanar.

Gösterge lambaları			Kalan kapasite
Yanıyor	Kapalı	Yanıp söniyor	
			%75 ila %100
			%50 ila %75
			%25 ila %50
			%0 ila %25
			Bataryayı şarj edin.
			Batarya arızalanmış olabilir.

NOT: Kullanım koşullarına ve ortam sıcaklığına bağlı olarak, gösterilen değer gerçek kapasiteden biraz farklılık gösterebilir.

Kalan batarya kapasitesinin gösterilmesi

► **Şek.8:** 1. Batarya göstergesi 2. Kontrol düğmesi

► **Şek.9**

Kalan batarya kapasitesini göstermesi için kontrol düğmesine basın. Batarya göstergelerinin her biri bir bataryaya karşılık gelir.

Batarya göstergesi durumu			Kalan pil kapasitesi
Açık	Kapalı	Yanıp söniyor	
			%50 ila %100
			%20 ila %50
			%0 ila %20
			Bataryayı şarj edin

Alet/batarya koruma sistemi

Bu alet bir alet/batarya koruma sistemi ile donatılmıştır. Bu sistem motora giden gücü otomatik olarak keserek uzun alet ve batarya ömrü sağlar. Alet veya batarya için aşağıdaki durumlardan biri söz konusu olduğunda aletin işleyişi otomatik olarak durur:

Aşırı yük koruması

Alet, anormal derecede yüksek akım çekmesine neden olacak şekilde kullanıldığında, alet hiçbir belirti vermeden otomatik olarak durur. Bu durumda, aleti kapatın ve aletin aşırı yüklenmesine neden olan uygulamayı durdurun. Daha sonra aleti yeniden başlaması için çalıştırın.

Aşırı ısınma koruması

Açık	Yanıp söniyor

Alet aşırı ısındığında otomatik olarak durur ve batarya göstergesi yaklaşık 60 saniye yanıp söner. Bu durumda, yeniden çalıştırmadan önce aletin soğumasını bekleyin.

Aşırı deşarj koruması

Batarya kapasitesi düştüğünde, alet otomatik olarak durur. Anahtarlar devredeyken bile ürün çalışmıyorsa, bataryaları aletten çıkarıp şarj edin.

Anahtar işlemleri

► **Şek.10:** 1. Hazırda bekleme anahtarı 2. Açma kapama düğmesi 3. Emme gücü ayarlama düğmesi

Süpürgeyi başlatmak için:

1. Hazırda bekleme anahtarını "I" konumuna ayarlayın. Süpürge hazırda bekleme durumuna geçer.
2. Açma kapama düğmesine basın. Süpürgeyi hazırda bekleme moduna geçmesi için, açma kapama düğmesine tekrar basın. Süpürgeyi kapatmak için, hazırda bekleme anahtarını "O" konumuna ayarlayın.

Emme gücü yaptığınız işin gereksinimine göre ayarlanabilir.

Emme gücü, emme gücü ayarlama düğmesi sembolünden sembolüne döndürülerek artırılabilir.

ÖNEMLİ NOT: Süpürgeyi uzun bir süre kullanmayacaksınız hazırda bekleme anahtarını daima "O" konumuna ayarlayın. Süpürge hazırda bekleme durumundayken güç harcar.

Islak emme işlemi sırasında otomatik emiş durdurma işlevi

Sadece kumaş filtre içeren model için

⚠UYARI: Şamandıra çalışırken uzun süre boyunca kullanmayın. Şamandıra çalışırken süpürgeyi uzun bir süre kullanmak aşırı ısınmaya neden olabilir, bu da süpürgeyi deforme etmesi ile sonuçlanır.

⚠UYARI: Köpük veya sabunlu sıvıları süpürgeye çekmeyin. Köpük veya sabunlu sıvıları çekmek şamandıra çalışmadan önce hava çıkışından köpük çıkmasına neden olabilir. Bu şekilde kullanmaya devam etmek elektrik çarpmasına ve süpürgeyi bozulmasına neden olabilir.

Otomatik emiş durdurma işlevi, sadece şamandıra ve şamandıra kafesi ile kullanım sırasında çalışır. Süpürgeyi, belli bir miktarın üzerinde su çekildiğinde motorun içine su girmesini önleyen bir şamandıra mekanizması vardır. Hazne dolduğunda ve süpürge daha fazla su alamaz duruma geldiğinde, süpürgeyi kapatın ve hazneyi boşaltın.

Tekerleğin kilitlemesi ve kilidinin açılması

► **Şek.11:** 1. Tekerlek 2. Durdurucu mandal 3. SERBEST konum 4. KİLİTLİ konum

Süpürge saklanırken, işe ara verildiğinde ve süpürgeyi sabit durması istendiğinde tekerleğin kilitlemesi faydalıdır.

Durdurucuyu kullanmak için, elinizle hareket ettirin. Tekerleği, durdurucu ile kilitlemek için durdurucu mandalı aşağı doğru indirin, tekerlek artık dönmez. Tekerleği kilitleti konumdan çıkarmak için, durdurucu mandalı kaldırın.

NOT: Süpürgeyi taşıırken tekerleğin kilitleti olmadığından emin olun. Süpürgeyi tekerlek kilitleti konumda taşımak tekerleğe zarar verebilir.

Taşıma sapı

Süpürgeyi taşıırken, baş kısmındaki sapından tutarak taşıyın. Kullanılmadığı zaman bu sap geri çekilebilir.

► **Şek.12**

MONTAJ

⚠DİKKAT: Süpürge üzerinde herhangi bir iş yapmadan önce süpürgeyi kapalı, fişinin prizden çekilmiş ve batarya kartuşunun çıkarılmış olduğundan daima emin olun.

⚠DİKKAT: Montaj veya bakım sırasında daima toz maskesi takın.

Toz filtresi (HEPA) ve ön filtrenin takılması (kuru tozlar için)

Kumaş filtre içeren model için isteğe bağlı aksesuarlar

⚠DİKKAT: Toz filtresini kullanırken asla su veya başka sıvıları ya da ıslak tozları çekmeyin. Bunların çekilmesi toz filtresinin bozulmasına neden olabilir.

Toz filtresini kullanmak için:

1. Şamandıra kafesini ve şamandırayı civataları sökerek çıkarın.
► **Şek.13:** 1. Şamandıra 2. Şamandıra kafesi
2. Montaj konumu işaretleri ile hizalayarak ön filtreyi hazneye takın.
3. Tamponu toz filtresine takın ve ardından bunları montaj konumu işaretleri ile hizalayarak ön filtreye yerleştirin.
4. Son olarak hazne kapağını takın ve kilitleyin.
► **Şek.14:** 1. Hazne kapağı 2. Toz filtresi (HEPA) 3. Tampon 4. Ön filtre 5. Hazne 6. Montaj konumu işareti

ÖNEMLİ NOT: Toz filtresini kullanmadan önce, ön filtre ve tamponun birlikte kullanıldığından daima emin olun. Toz filtresinin tek başına takılmasına izin verilmemelidir.

Su filtresinin takılması

Kumaş filtre içeren model için isteğe bağlı aksesuarlar

⚠DİKKAT: Şamandıra ve kumaş filtre ya da su filtresi olmadan su veya ıslak tozları asla çekmeyin.

⚠DİKKAT: Islak tozları çekmek için, şamandıra kafesi ve şamandıranın süpürgeye takılı olduğundan emin olun.

⚠DİKKAT: Su filtresini hazneye takarken, su filtresinin kancası hazne ağzını sıkıca kavrayacak ve su filtresi ile hazne arasında boşluk kalmayacak şekilde haznenin ağzına sıkı bir şekilde taktiğinizden emin olun.

Sadece su veya ıslak tozları çekmek için, su filtresi kumaş filtreden daha uygundur.

Su filtresini takarken, montaj konumu işaretini hazne üzerindeki ile hizalayın.

► **Şek.15:** 1. Su filtresi 2. Hazne 3. Montaj konumu işareti

NOT: Arka arkaya büyük miktarlarda su çekileceği zaman su filtresinin kullanılması tavsiye edilir. Kumaş filtre kullanıldığı takdirde vakum performansında azalma görülebilir.

Kağıt torbanın takılması

İsteğe bağlı aksesuar

UYARI: Kağıt torba kullanırken, süpürge üzerine önceden takılmış olan kumaş filtreyi ya da ön filtreyi de birlikte kullanın. Kumaş filtrenin / ön filtrenin birlikte kullanılmaması anormal gürültü veya ısıya neden olabilir, yangınla sonuçlanabilir.

DİKKAT: (Kumaş filtre içeren model için)

- Kağıt torba kullanırken asla su veya başka sıvıları ya da ıslak tozları çekmeyin. Bunların çekilmesi kağıt torbanın bozulmasına neden olabilir.
- Kağıt torbayı kullanmadan önce, toz filtresinin (isteğe bağlı aksesuar), tamponun (isteğe bağlı aksesuar) ve ön filtrenin daima birlikte kullanıldığından emin olun.

DİKKAT: (Toz filtresi içeren model için)

- Kağıt torbayı kullanmadan önce, toz filtresinin, tamponun ve ön filtrenin daima birlikte kullanıldığından emin olun.

1. Kauçuk tutucuyu çıkarın.

► Şek.16: 1. Kauçuk tutucu

2. Kağıt torbayı açın.

3. Kağıt torbanın ağızını süpürgeye toz emme ağızı ile hizalayın.

4. Kağıt torbanın karton kısmını, kilitle çıkıntısının gerisindeki uç kısma oturacak şekilde tutucuya yerleştirin.

► Şek.17: 1. Kağıt torba 2. Tutucu

Polietilen torbanın takılması

Süpürge polietilen torba olmadan da kullanılabilir. Ancak, polietilen torba kullanıldığı takdirde ellerinizi kirlenmeden hazneyi temizlemeniz daha kolay olacaktır.

Polietilen torbayı haznenin içine yerleştirin. Tutucu plaka ile haznenin arasına yerleştirin ve hortumun girişine doğru çekin.

► Şek.18: 1. Tutucu plaka 2. Polietilen torba

Torbayı, kumaş filtrenin / ön filtrenin kenarı torbayı sabit bir şekilde tutacak şekilde haznenin içine yayın.

► Şek.19: 1. Kumaş filtre / ön filtre

NOT: Piyasada bulunan polietilen torbalar kullanılabilir. 0,04 mm ya da daha kalın olanları tavsiye edilir.

NOT: Çok fazla toz toplanması torbanın kolayca yırtılmasına neden olur, bu sebeple torba kapasitesinin yarısından fazlasını geçmeyecek kadar toz toplayın.

Polietilen torbanın boşaltılması

UYARI: Polietilen torbayı boşaltmadan önce süpürgeye kapalı, fişinin prizden çekilmiş ve batarya kartuşunun çıkartılmış olduğundan daima emin olun. Bu kontrolün yapılmaması elektrik çarpmasına ve ciddi kişisel yaralanmalara sebep olabilir.

DİKKAT: Şamandıra kafesi ve hazne üzerine çok fazla kuvvet uygulamayın. Fazla kuvvet uygulamak parçaların deforme olmasına ve zarar görmesine neden olabilir.

DİKKAT: Hazneyi en azından günde bir kez boşlatın, yine de bu durum haznedeki toz miktarına bağlı olarak değişebilir. Aksi takdirde emiş gücü azalabilir ve motor bozulabilir.

DİKKAT: Hazneyi boşaltırken kancasından tutmayın. Kancadan tutmak kancanın kırılmasına neden olabilir.

Kancadan çıkarın ve hazne kapağını kaldırın.

Kumaş filtrenin / ön filtrenin tozunu sallayarak giderin, ardından polietilen torbayı haznedeki çıkarın.

► Şek.20

NOT: Polietilen torbayı boşaltırken haznenin içindeki çıkıntılara takılıp yırtılmaması için polietilen torbayı dikkatli bir şekilde haznedeki çıkarın.

NOT: Polietilen torbayı dolmadan önce boşaltın.

Haznedeki çok fazla toz birikmesi polietilen torbanın yırtılmasına neden olabilir.

Alet kutusunun takılması

1. Batarya kapağının kilidini serbest bırakın ve batarya kapağını açın.

2. Alet kutusunun üzerindeki raylı kısmı gövde üzerindeki oluklara takın.

3. Batarya kapağını kapatın ve kilitleyin.

► Şek.21

Alet kutusu, bataryaları, uzatma kablosunu, boru ve manşetleri taşımak için kullanışlıdır.

► Şek.22

Hortumun bağlanması

ÖNEMLİ NOT: Hortumu zorlayarak bükmeye veya ezmeye çalışmayın. Süpürgeyi hortumdan tutarak taşımayın. Hortumu zorlamak, ezmek veya çekmek hortumun kırılmasına veya deforme olmasına neden olabilir.

ÖNEMLİ NOT: Planya döküntüleri, inşaat tozları gibi büyük atıkları veya bunlara benzeyen, küçük sayılamayacak atıkları çekerken 38 mm iç çaplı hortumu (isteğe bağlı aksesuar) kullanın. 28 mm iç çaplı hortumun (isteğe bağlı aksesuar) kullanılması hortumun tıkanmasına ve zarar görmesine neden olabilir.

Hortumu haznenin montaj yerine takın ve kilitlenenek dek saat yönünde döndürün.

► Şek.23

BAKIM

⚠ DİKKAT: Kontrol ya da bakım yapmadan önce süpürgeyi kapalı, fişinin prizden çekilmiş ve batarya kartuşunun çıkartılmış olduğundan daima emin olun.

ÖNEMLİ NOT: Benzin, tiner, alkol ve benzeri maddeleri kesinlikle kullanmayın. Renk değişimi, deformasyon veya çatlaklar oluşabilir.

Aleti EMNİYETLİ ve ÇALIŞMAYA HAZIR durumda tutmak için onarımlar, başka her türlü bakım ve ayarlamalar daima Makita yedek parçaları kullanılarak Makita yetkili servis merkezleri veya Fabrikanın Servis Merkezleri tarafından yapılmalıdır.

Güç besleme kablosunun saklanması

Güç besleme kablosunu alet kutusunun etrafına sarabilirsiniz.
► **Şek.24**

Aksesuarların saklanması

Süpürge kısa bir süre için kullanılmayacaksa, borular boru tutucuya yerleştirilebilir.

► **Şek.25**

► **Şek.26**

Hortum, iki uç birbirine bağlanarak aletin etrafında saklanabilir.

► **Şek.27**

Kumaş filtrenin temizlenmesi

Sadece kumaş filtre içeren model için

Kumaş filtrenin tıkanması emme performansında düşüğe neden olur.
Kumaş filtreyi belli aralıklarla temizleyin.

Kumaş filtreye yapışan toz ve parçacıkları gidermek için, filtrenin çerçeve tabanını hızlı bir şekilde bir kaç kez sallayın.

► **Şek.28:** 1. Kumaş filtre

Toz filtresinin (HEPA) ve ön filtrenin temizlenmesi

Sadece toz filtresi içeren model için

Tıkanan toz filtresi, ön filtre ve tampon emme performansında düşüğe neden olur. Filtreleri ve tamponları belli aralıklarla temizleyin.

Filtrelere yapışan toz ve parçacıkları gidermek için, filtrenin çerçeve tabanını hızlı bir şekilde bir kaç kez sallayın.

► **Şek.29**

Toz filtresini belirli aralıklarla suyla yıkayıp durulayın ve kullanmadan önce gölgede tamamen kurutun. Filtreleri asla çamaşır makinesinde yıkamayın.

NOT: Toz filtresini, ön filtreyi ya da tamponu fırça veya palet gibi sert nesnelere ovmayın veya çizmeyin.

NOT: Filtreler zamanla aşınır. Yedeklerinin bulunulması tavsiye edilir.

İSTEĞE BAĞLI AKSESUARLAR

⚠ DİKKAT: Bu aksesuarlar ve ek parçalar bu el kitabında belirtilen Makita aletiniz ile kullanılmak için tavsiye edilmektedir. Herhangi başka bir aksesuar ya da ek parça kullanılması insanlar için bir yaralanma riski getirebilir. Aksesuarları ya da ek parçaları yalnızca belirtilmiş olan kullanım amaçlarına uygun olarak kullanın.

Bu aksesuarlarla ilgili daha fazla bilgiye ihtiyaç duyar-sanız bulunduğunuz yerdeki yetkili Makita servisine başvurun.

- Hortum
- Ön manşet (22, 24, 38)
- Düz boru
- Köşe emme başlığı
- Yuvarlak fırça
- Toz filtresi, HEPA (kuru tozlar için)
- Tampon
- Ön filtre
- Emme başlığı tertibatı
- Eğik boru
- Polietilen torba
- Kağıt torba
- Tutucu seti
- Su Filtresi (kumaş filtre içeren model için, isteğe bağlı)
- Orijinal Makita batarya ve şarj aleti

NOT: Listedeki parçaların bazıları alet paketi içerisinde standart aksesuar olarak dahil edilmiş olabilir. Bunlar ülkeden ülkeye farklılık gösterebilir.

Makita Europe N.V. Jan-Baptist Vinkstraat 2,
3070 Kortenberg, Belgium

Makita Corporation 3-11-8, Sumiyoshi-cho,
Anjo, Aichi 446-8502 Japan

www.makita.com

885717-991 EN, FR, DE, IT, NL, ES, PT, DA, EL, TR 20190131
