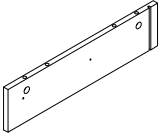
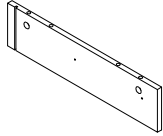

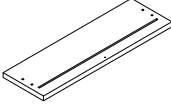
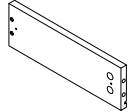
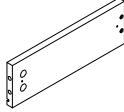
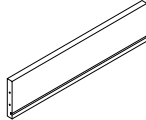
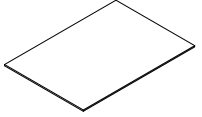

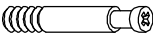

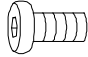
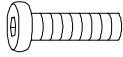

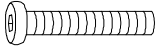



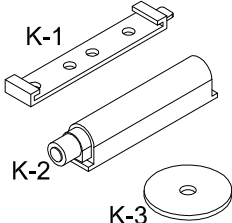
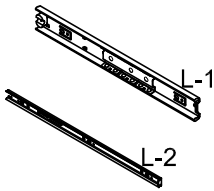
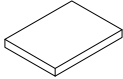

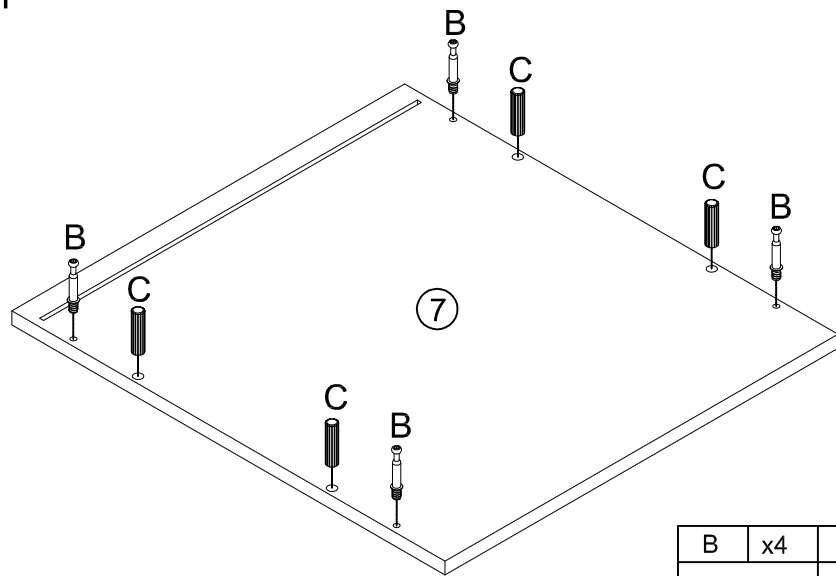
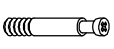
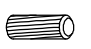
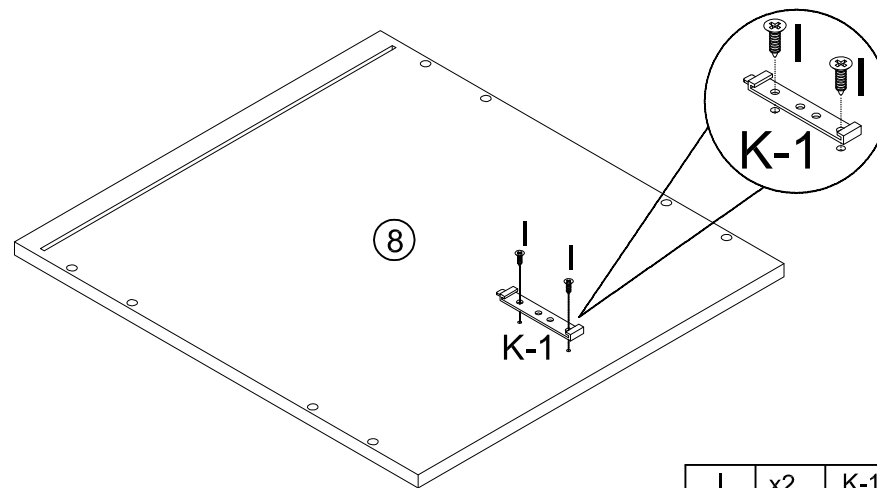

① 2pcs	② 2pcs	③ 2pcs	④ 2pcs	⑤ 2pcs	⑥ 1pc	⑦ 1pc	⑧ 1pc
							
⑨ 1pc	⑩ 1pc	⑪ 1pc	⑫ 1pc	⑬ 1pc	⑭ 1pc	⑮ 1pc	⑯ 1pc
							
φ 15x9mm	M6x35mm	φ 8x30mm	M6x12mm	M6x25mm	M6x30mm	M6x40mm	M7x40mm
A 8pcs	B 8pcs	C 8pcs	D 4pcs	E 4pcs	F 4pcs	G 8pcs	H 4pcs
							
M3.5x12mm	M4x30mm	K-1 K-2 K-3	L-1 L-2 300mm	15x20x1mm	M4		
I 11pcs	J 4pcs	K 1pc	L 2pcs	M 4pcs	N 1pc		



01



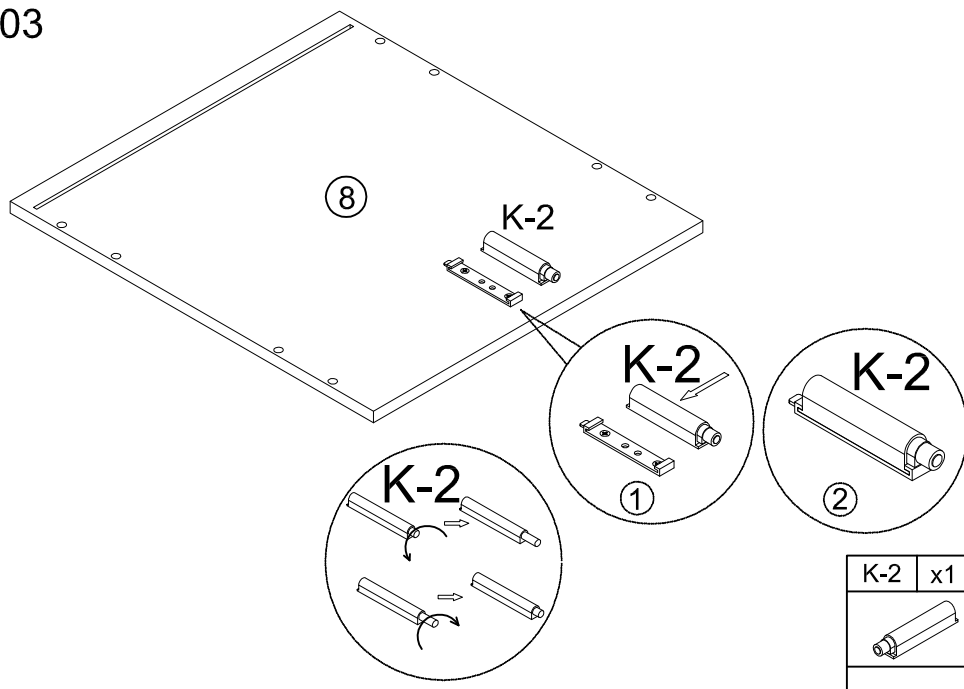
B	x4	C	x4
			
M6x35mm		φ 8x30mm	

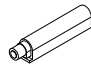
02



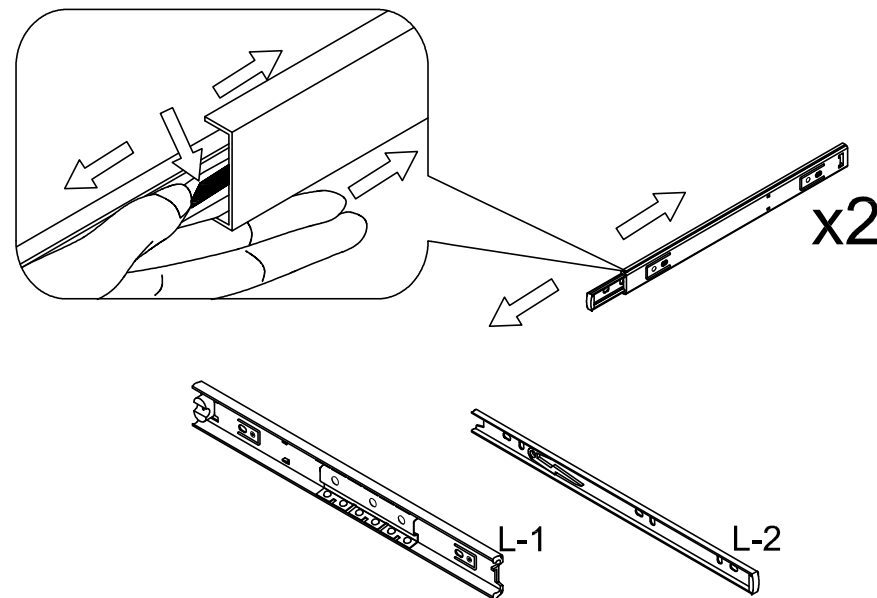
I	x2	K-1	x1
			
M3.5x12mm			

03



K-2	x1
	


04





x2

L-1 L-2

05




A	x4
	
φ 15x9mm	

06

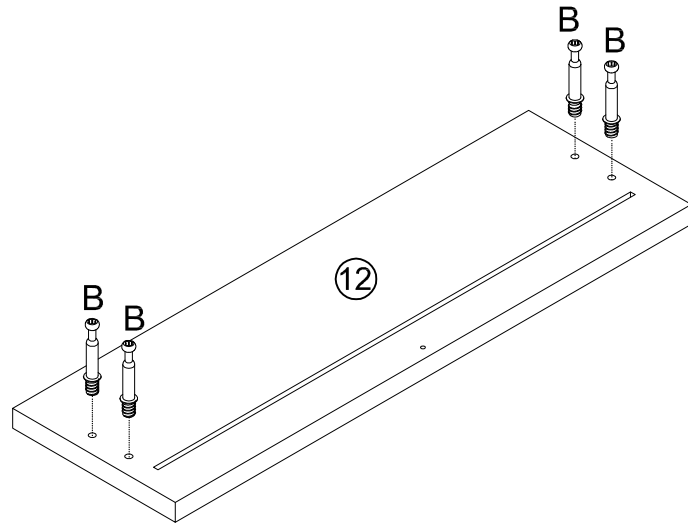
I	x4	L-1	x2
			
M3.5x12mm		300mm	

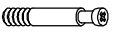
07

08

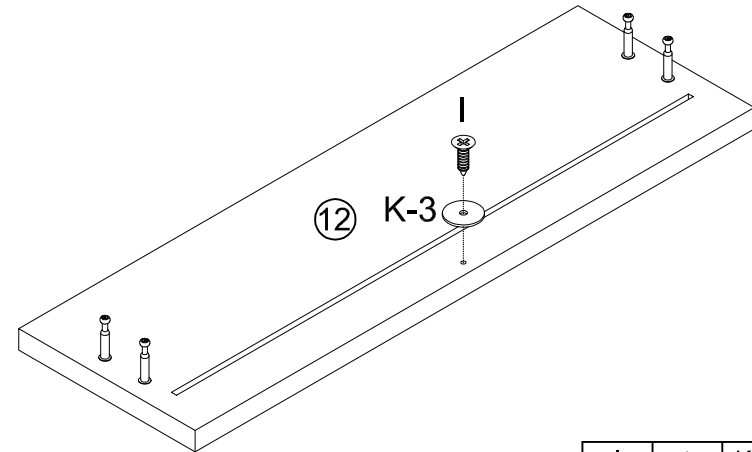
C	x4	N	x1
			
φ8x30mm			
H	x4		
			
M7x40mm			



09



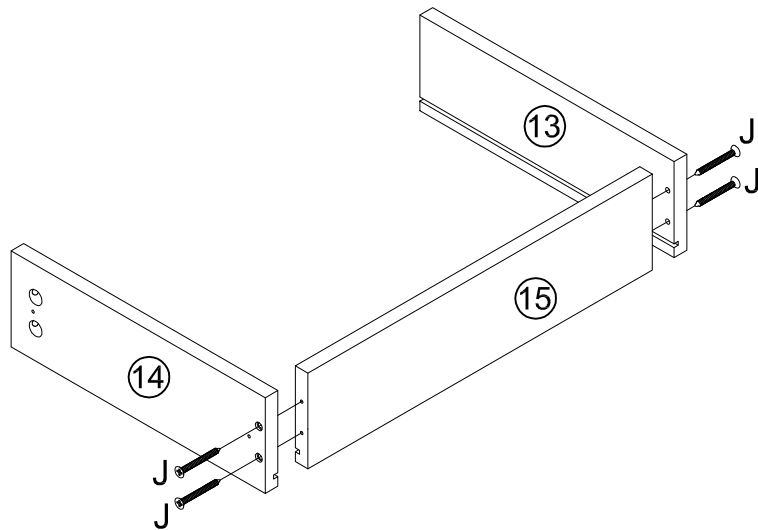
B	x4
	
M6x35mm	


10



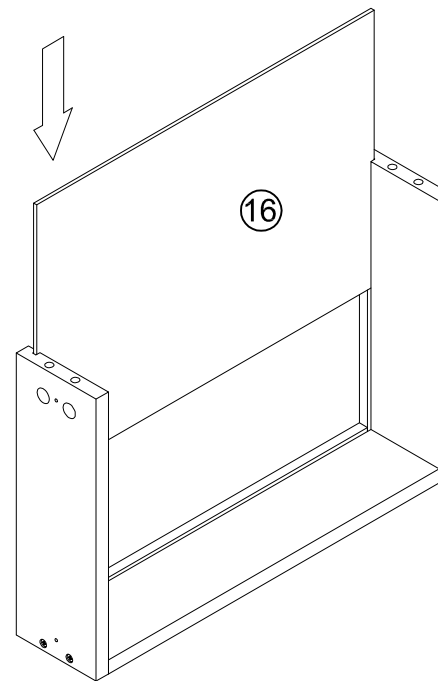
I	x1	K-3	x1
			
M3.5x12mm			

11



J	x4
	
M4x30mm	

12



13

12

A A

A A

A	x4
φ 15x9mm	

14

L-2

L-2

I I

I	x4	L-2	x2
M3.5x12mm		300mm	

15

2

1

3

2

3

G

N

G

G

G

G	x4	N	x1
M6x40mm			

16

N

F

5

E

4

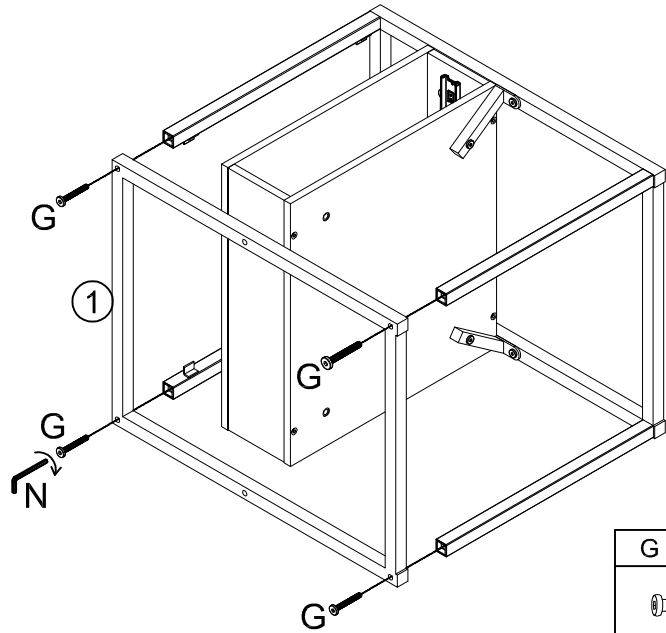
F



D

E

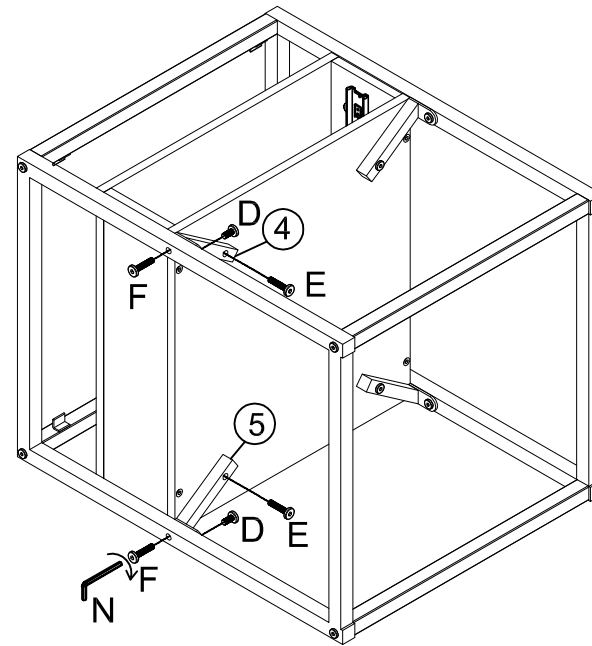
D	x2	E	x2
M6x12mm		M6x25mm	
F	x2	N	x1
M6x30mm			


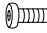


17



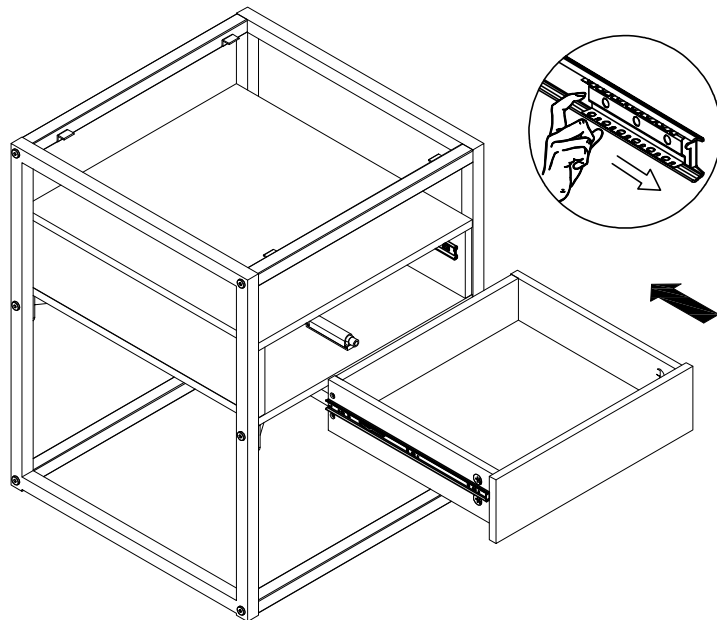
G	x4	N	x1
			
M6x40mm			

18

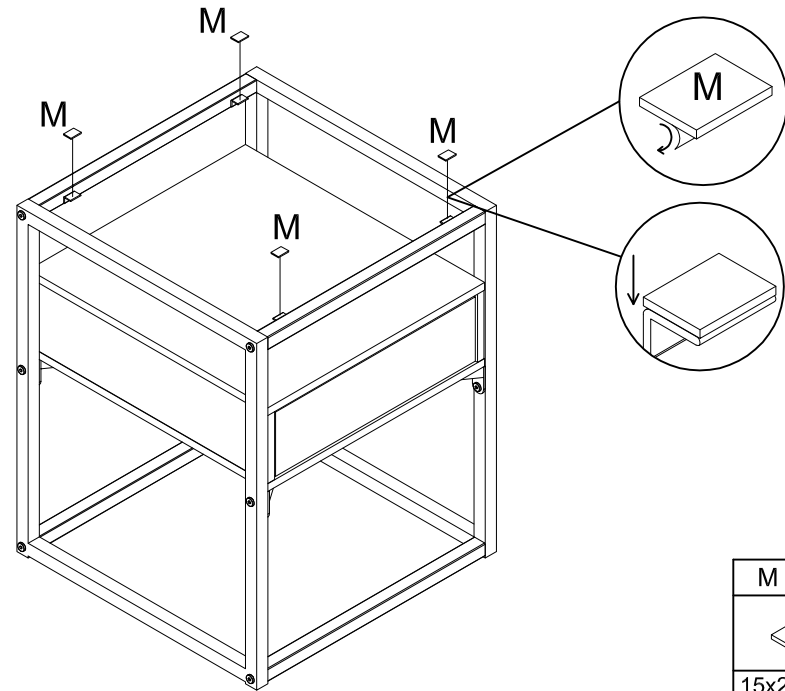


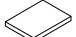
D	x2	E	x2
			
M6x12mm		M6x25mm	
F	x2	N	x1
			
M6x30mm			

19



20



M	x4
	
15x20x1mm	

