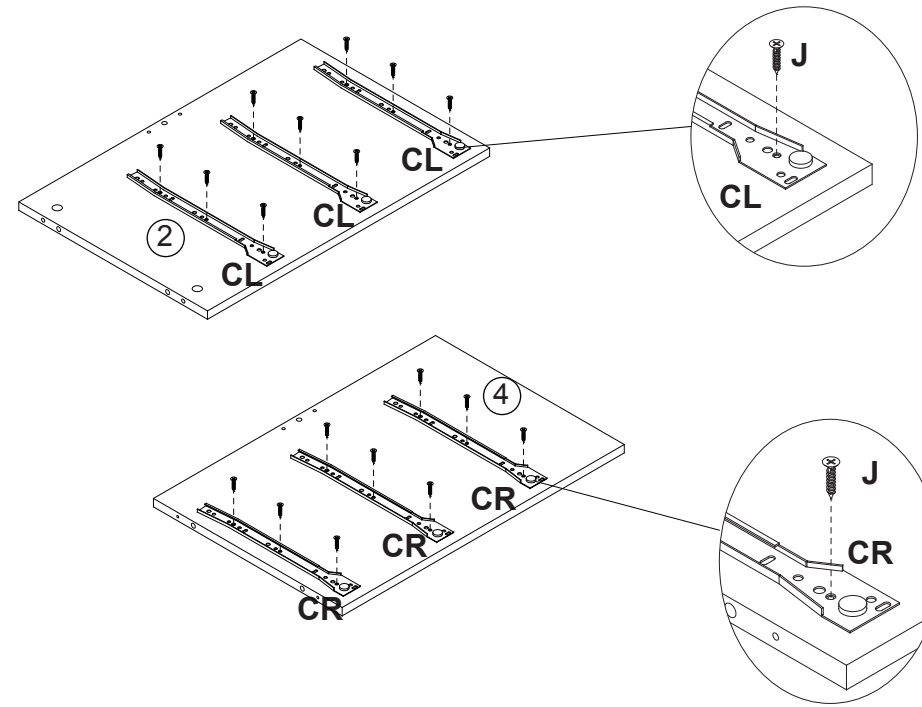
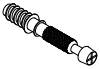
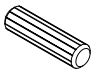

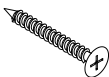




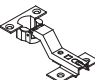





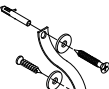
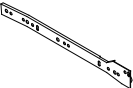
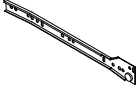
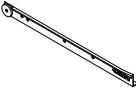
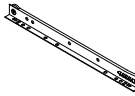
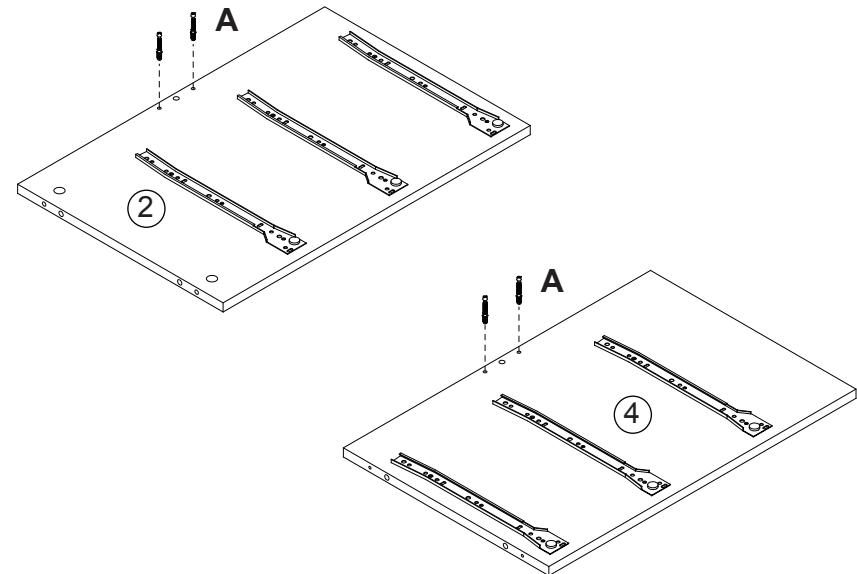


1

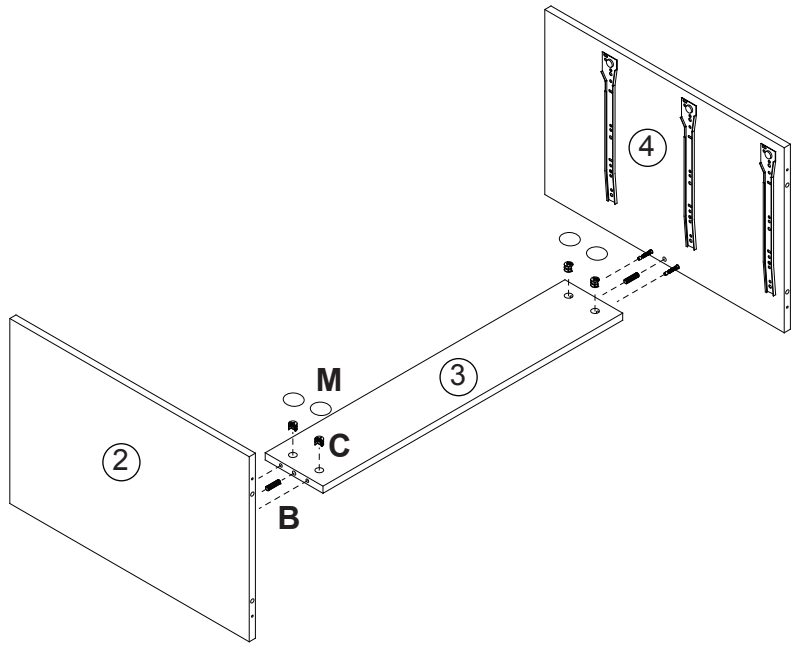


- | | | | | |
|---|---|---|---|--|
|  |  |  |  |  |
| A X 29 | B X 22 | C X 29 | D X 21 | E X 4 |
|  |  |  |  |  |
| F X 1 | G X 1 | H X 1 | I X 2 | J X 44 |
|  |  |  |  |  |
| K X 8 | L X 26 | M X 29 | N X 25 | O X 2 |
|  |  |  |  | |
| CL X 3 | CR X 3 | DL X 3 | DR X 3 | |

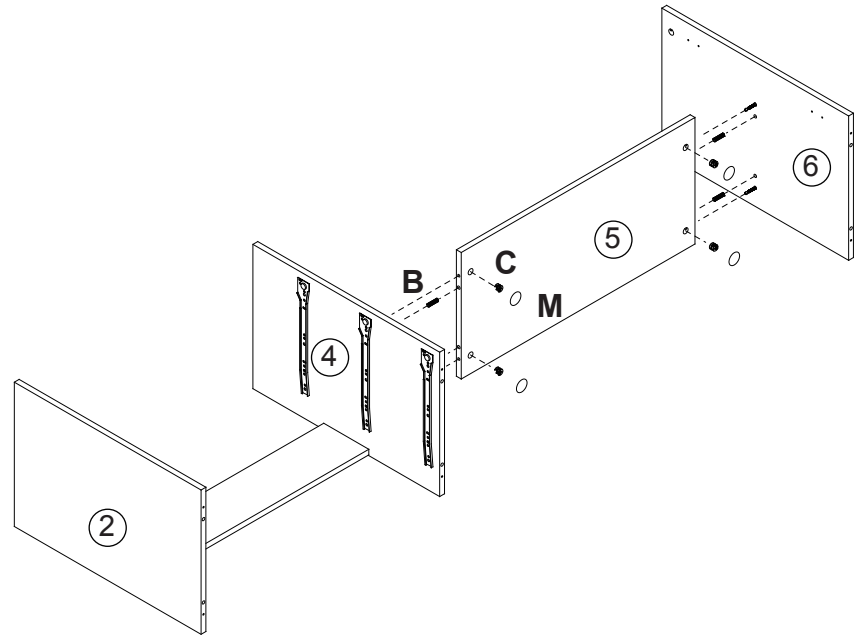
2



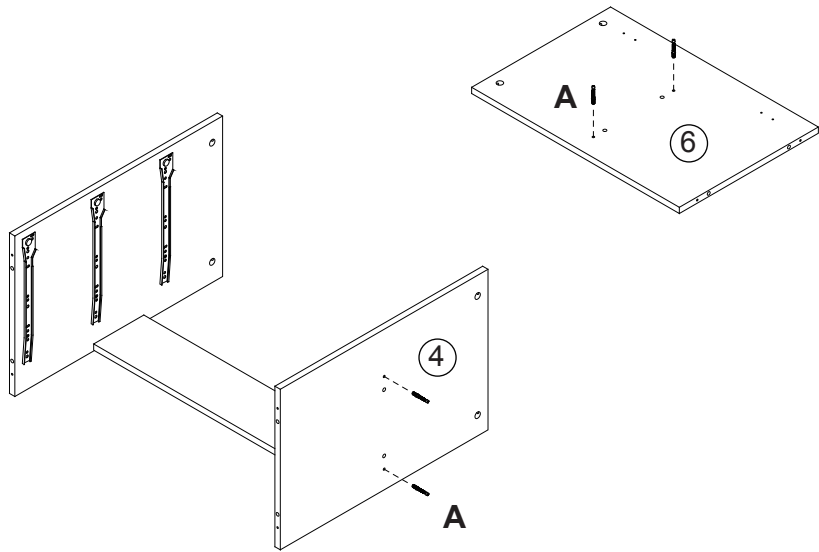
3



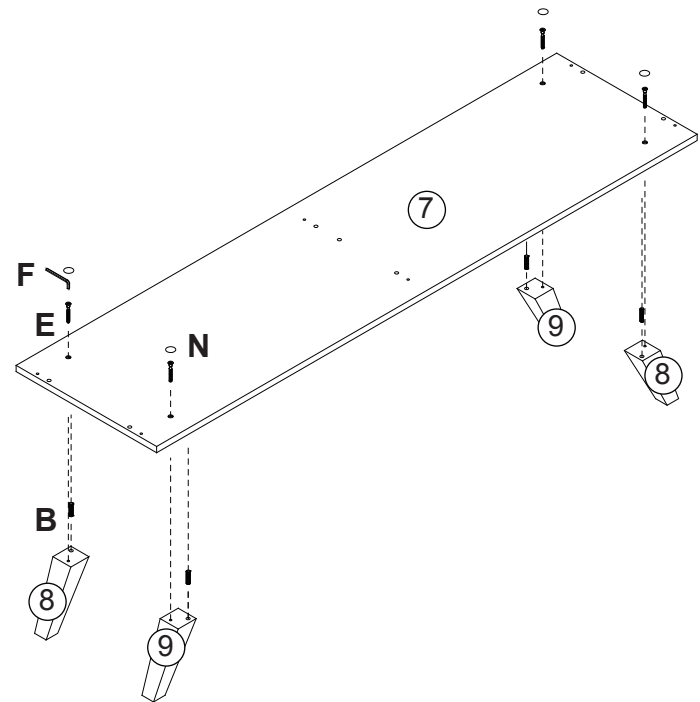
5



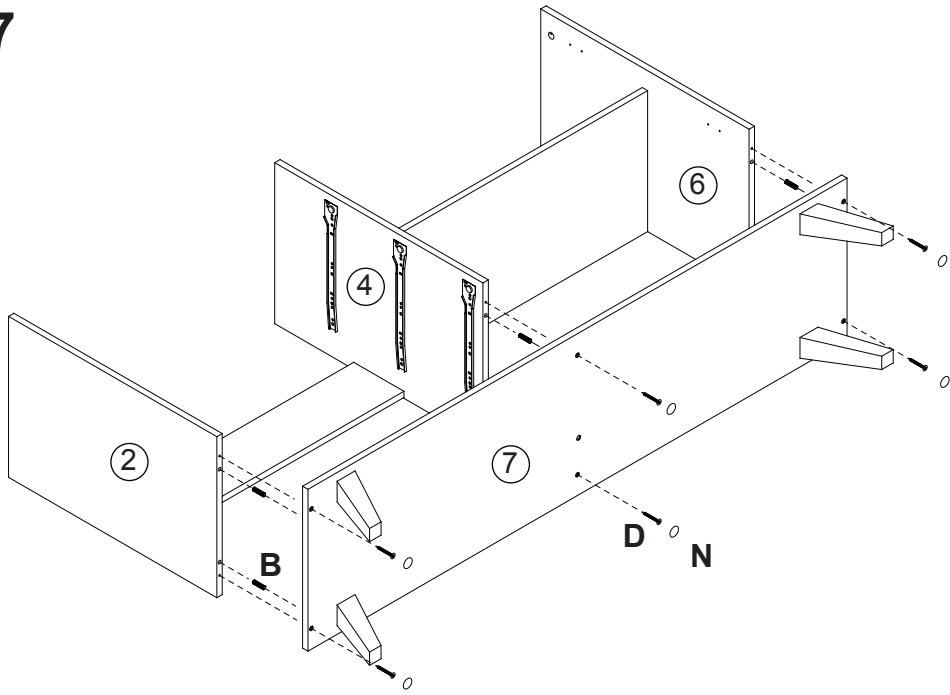
4



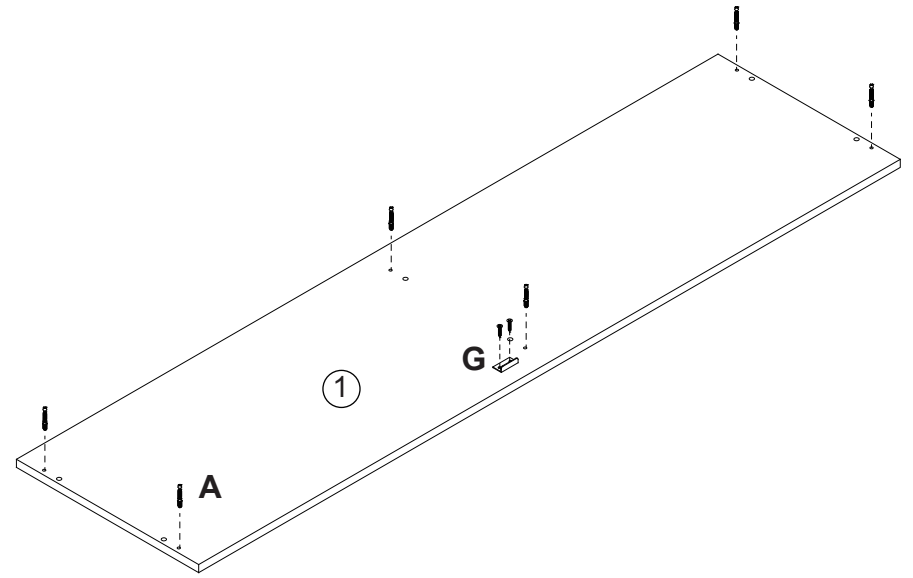
6



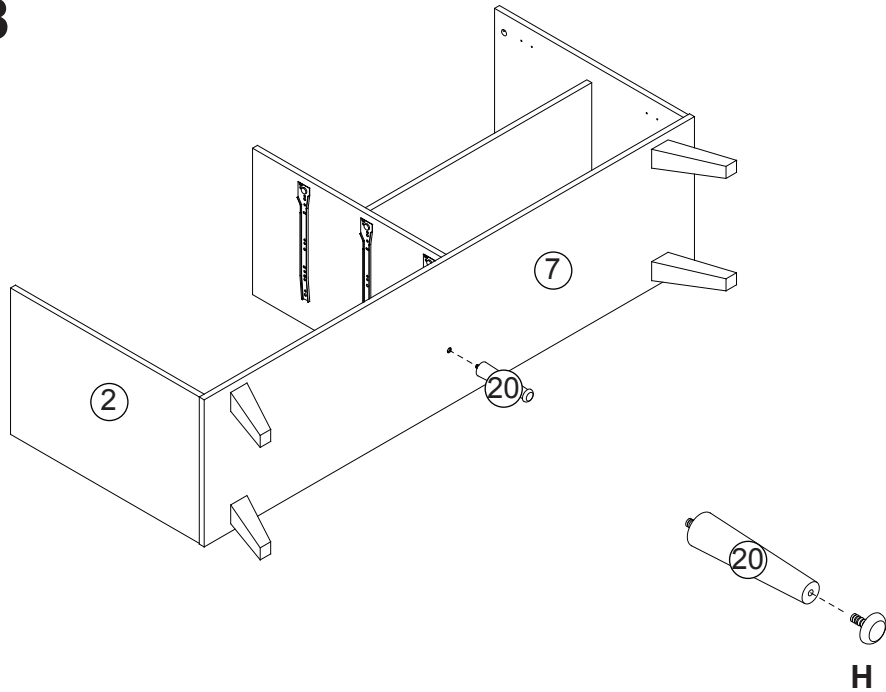
7



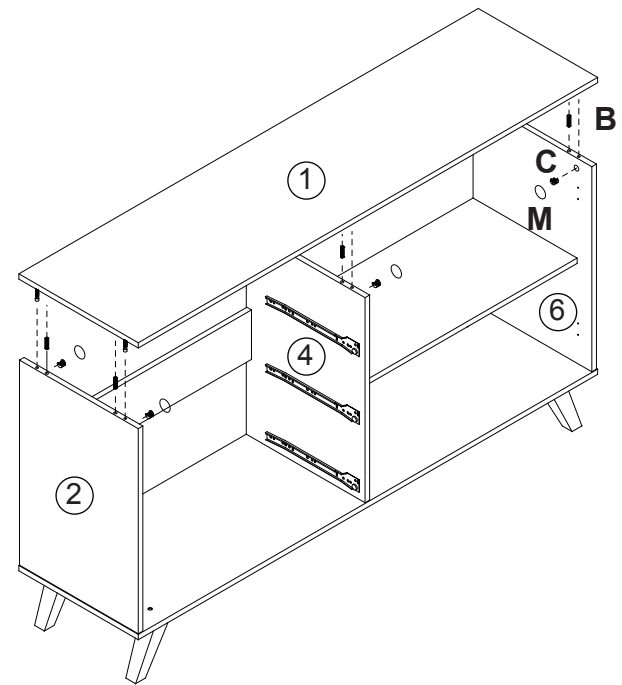
9



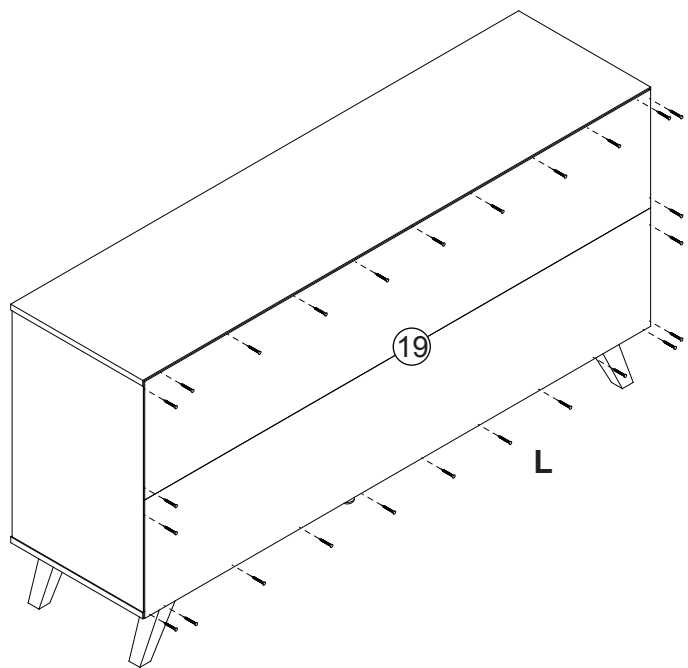
8



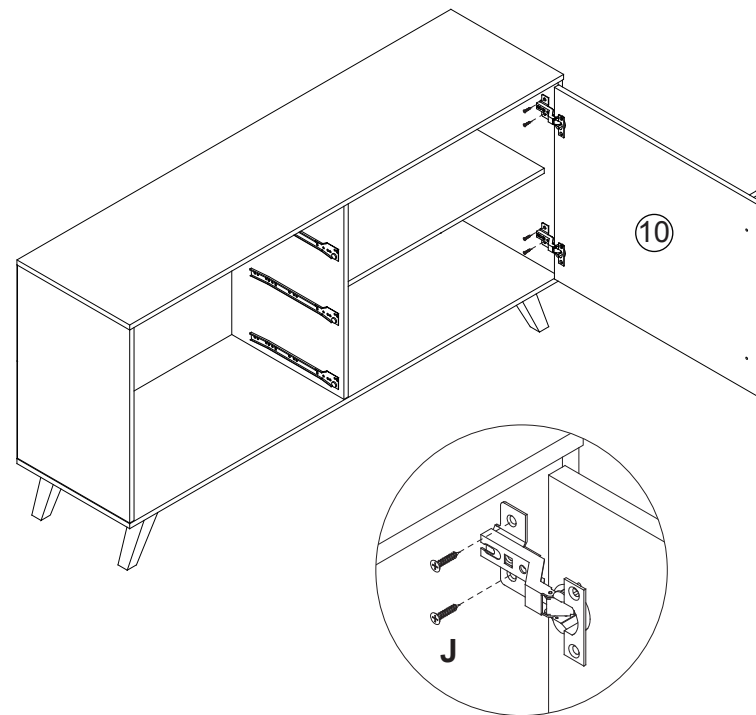
10



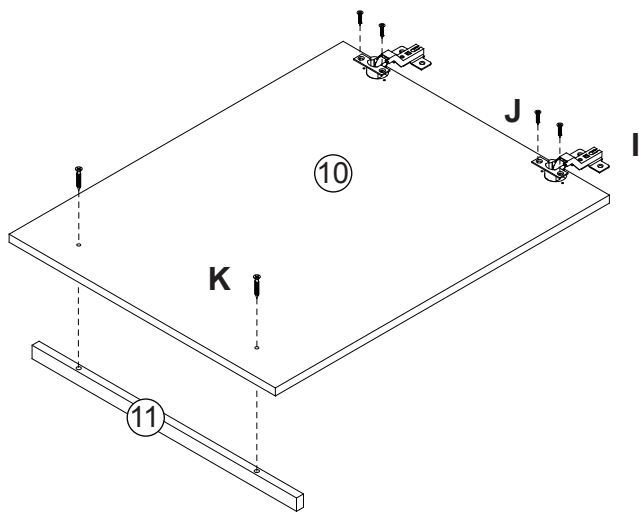
11



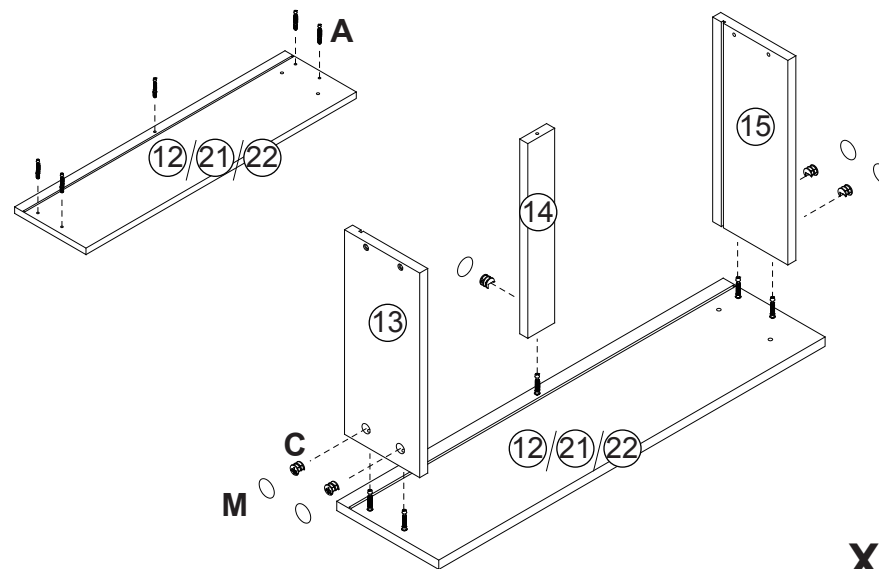
13



12

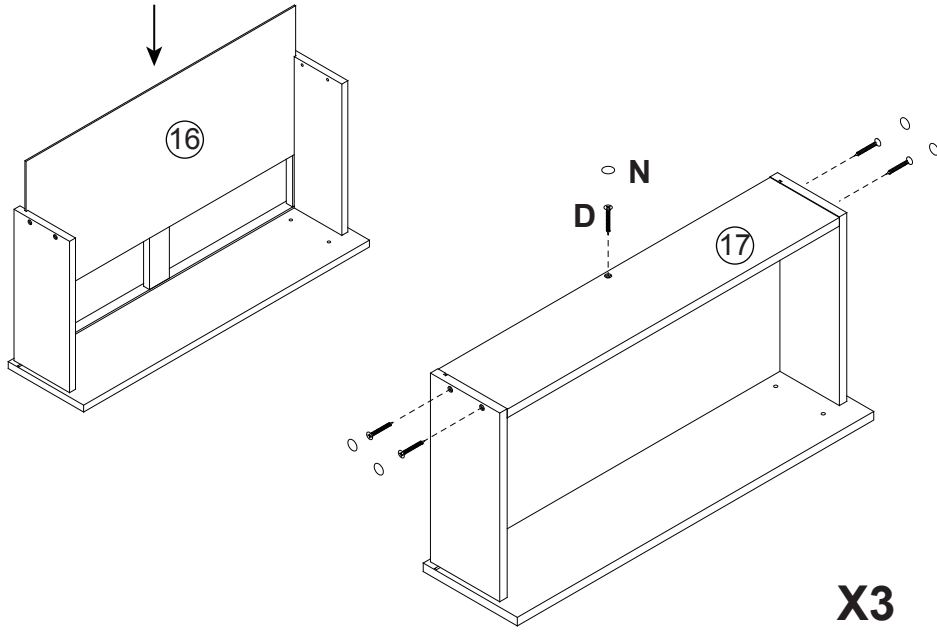


14

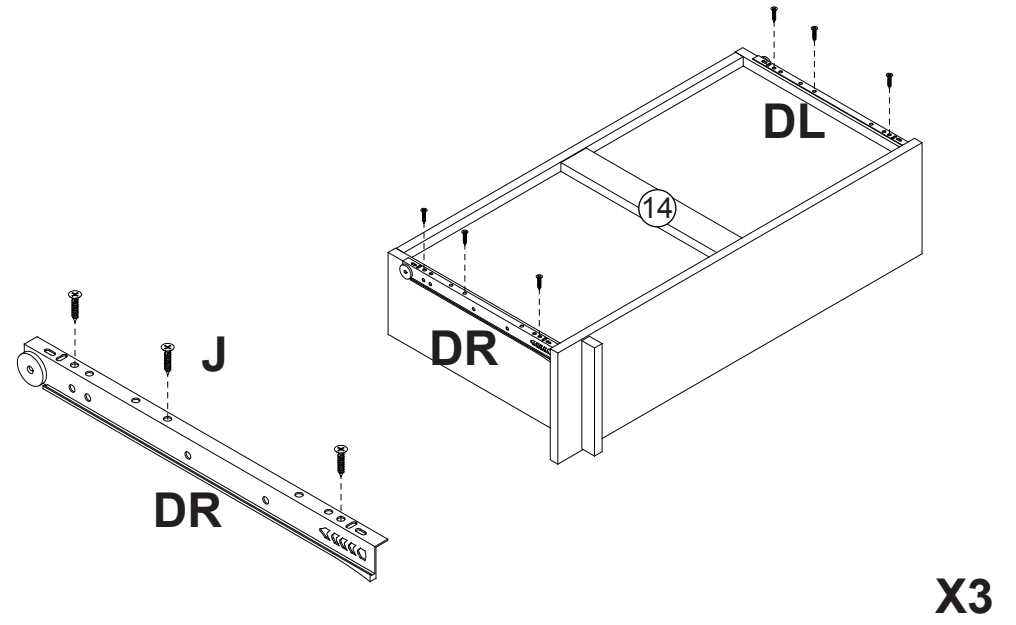


X3

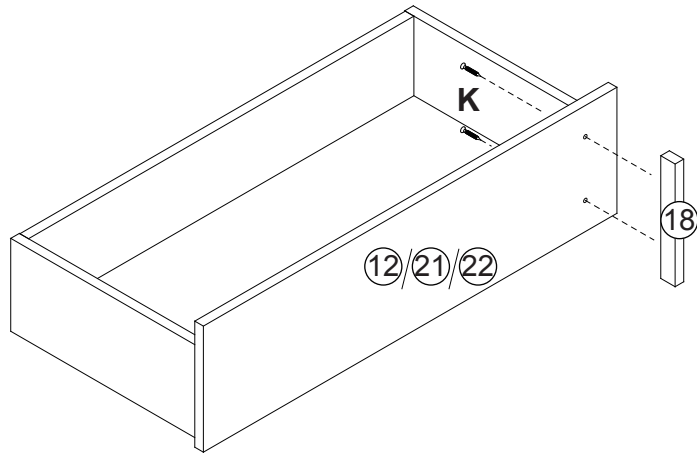
15



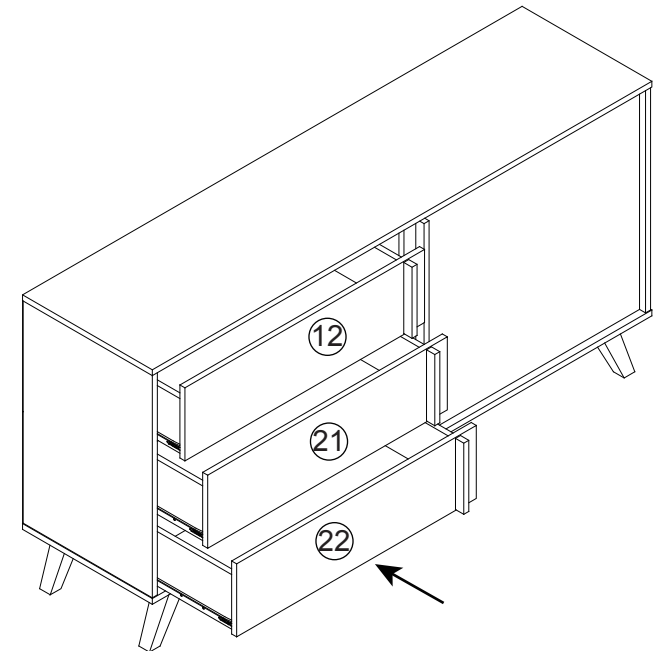
17



16



18



X3

X3

X3

X3

Απαραίτητη η στήριξη στον τοίχο
Mounting to the wall is required
Необходимо е да бъде захванато за стената

