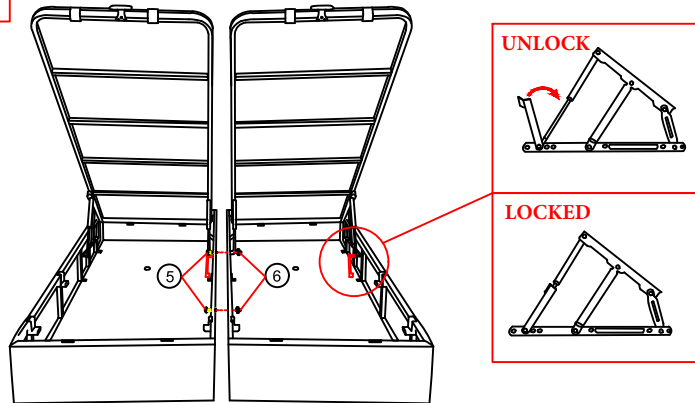


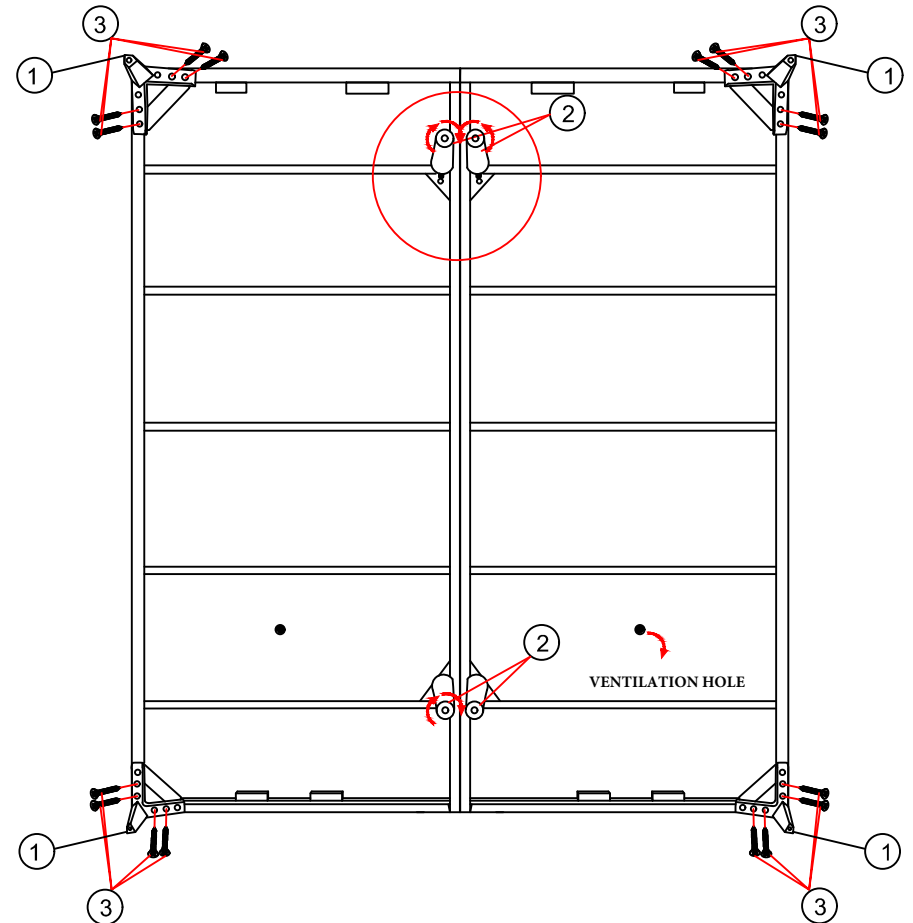


NIRVANA
HEADBOARD/BEDBASE
ASSEMBLY INSTRUCTION

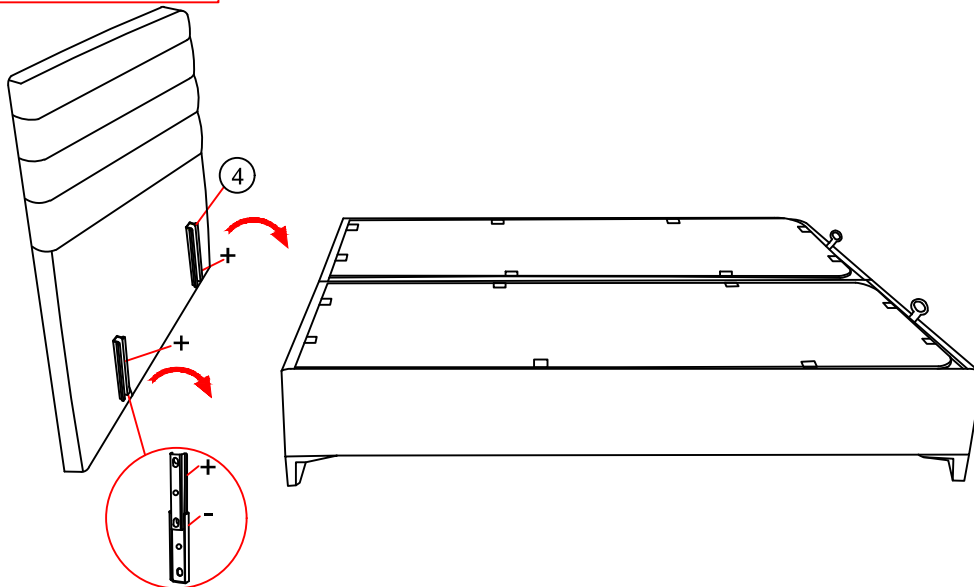
STEP 1



STEP 2



STEP 3



1 BEDBASE 3 POINT
PLASTIC LEGS 10C 4PCS

2 BEDBASE PLASTIC
LEG 9,7CM 4PCS

3 STAR HEAD SCREW
4°30 16PCS

4 CONNECTION SLED

5 BOLT AB 5,16/60 2PCS

6 BUTTERFLY 5/16 2PCS