

A × 12



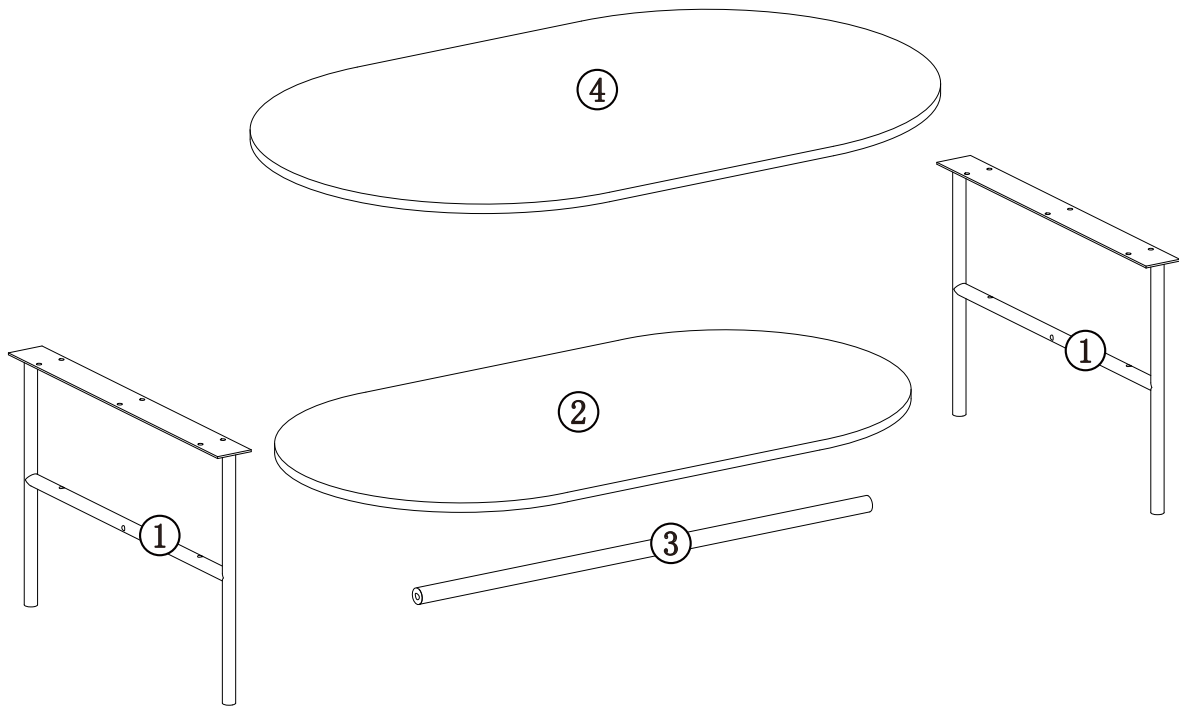
B × 4



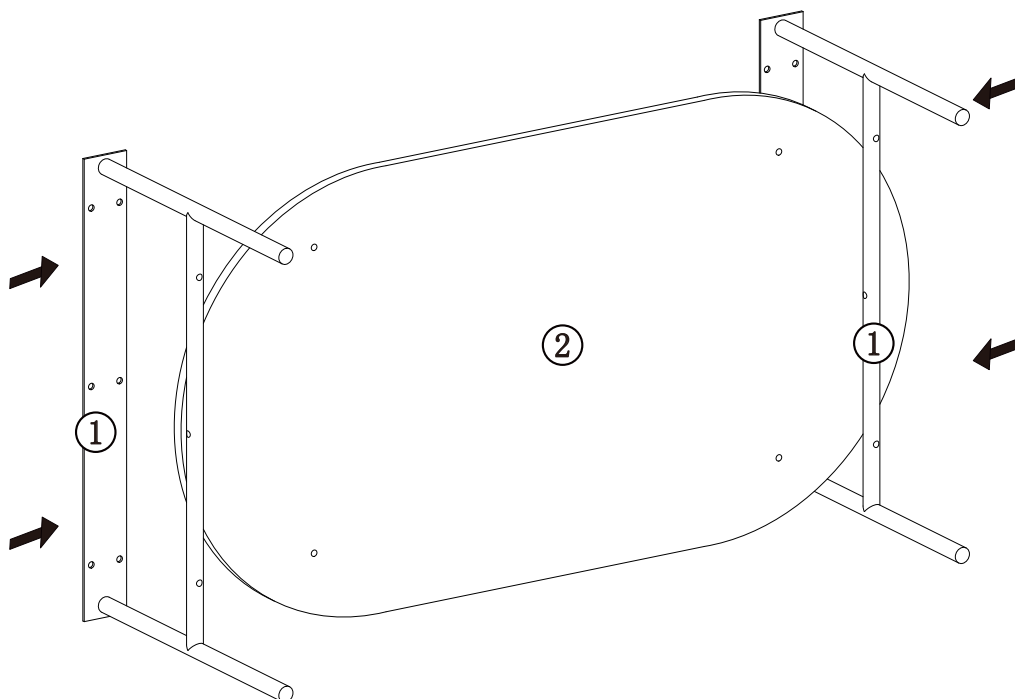
C × 2



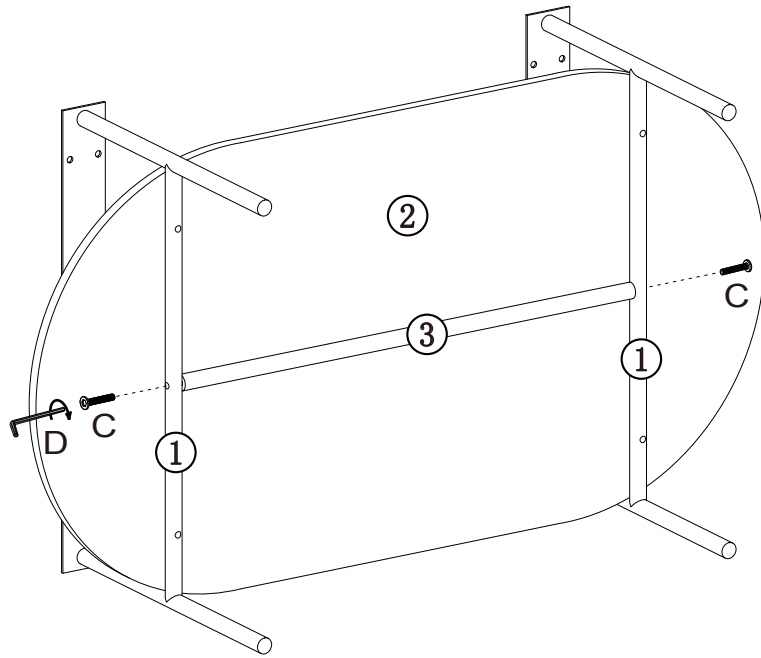
D × 1



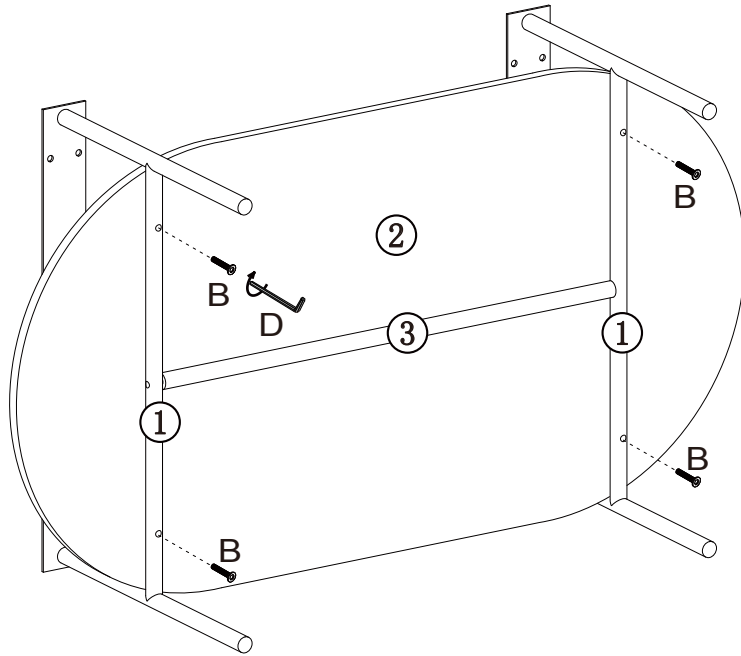
1



2



3



4

