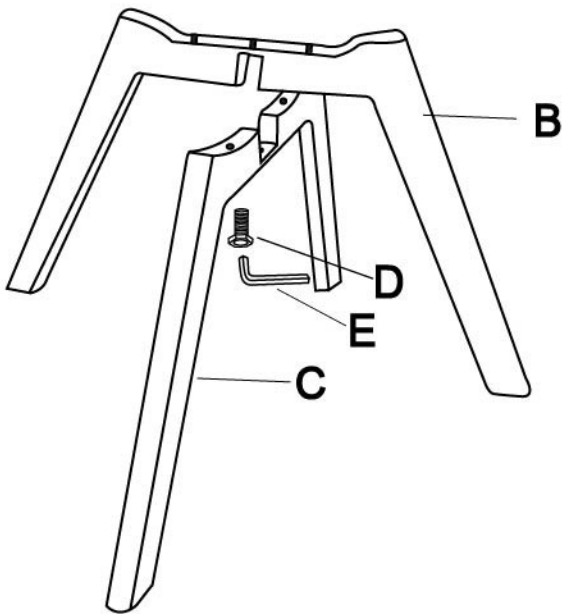
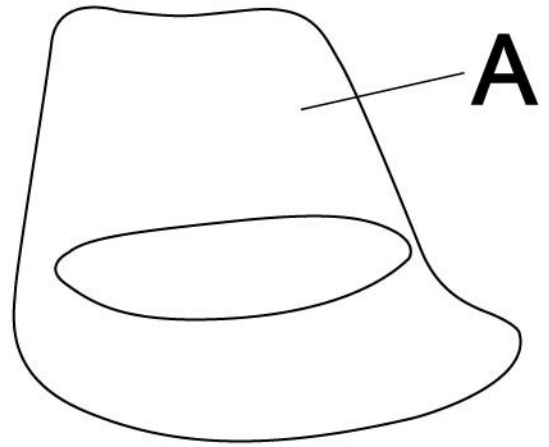


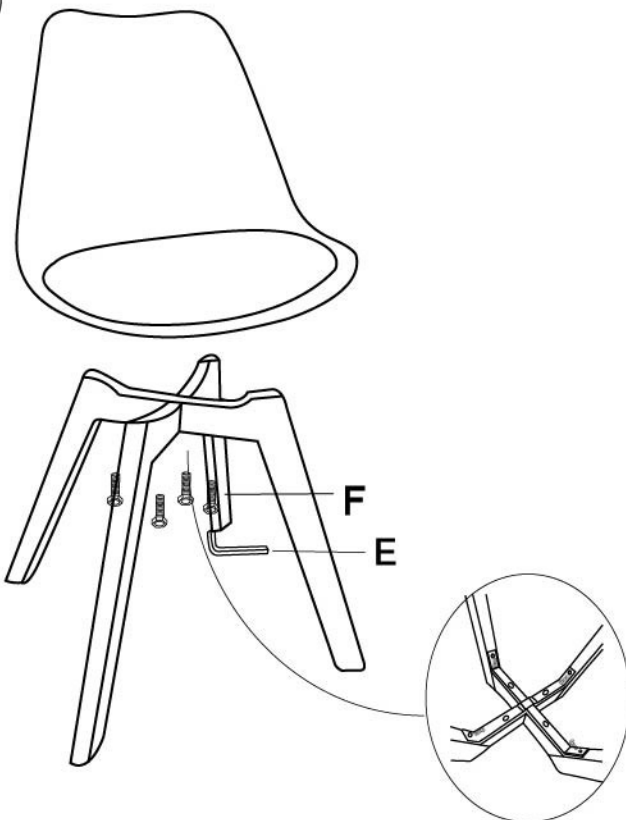
1



2



3



| | |
|---------|---------|
| Ax1 | Bx1 |
| Cx1 | Dx1 |
| Ex1 | Fx4 |
| Gx2 | |