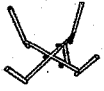


ASSEMBLING INSTRUCTION

1 X1PC



2 X1PC



3 X1PC



A X3PCS



m6*16

B X3PCS



m6*18*1.5

C X3PCS



m8*16

D X3PCS

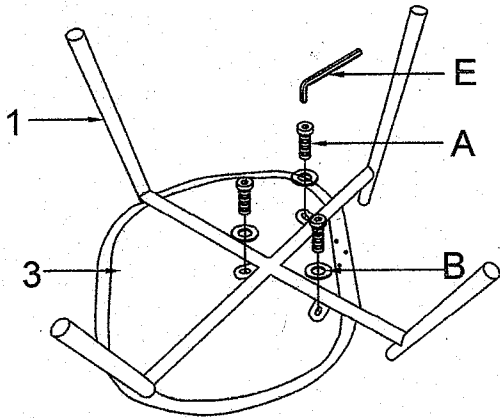


m8*16*1.5

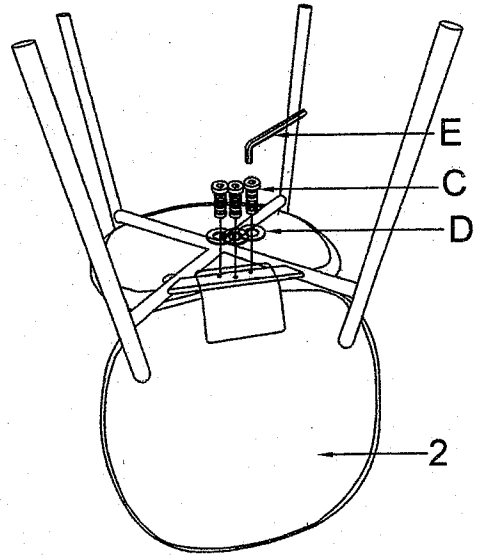
E X1PC



1



2



3

