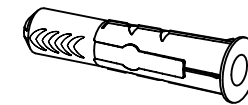
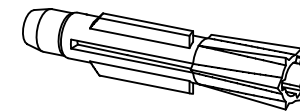
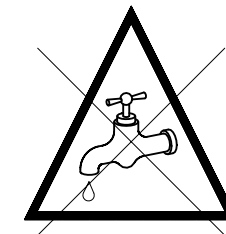
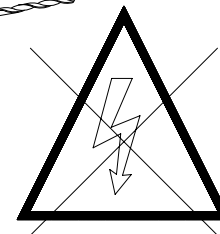
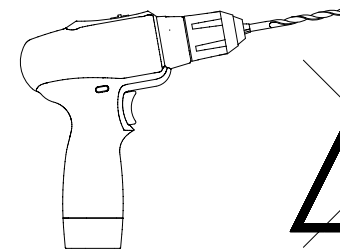
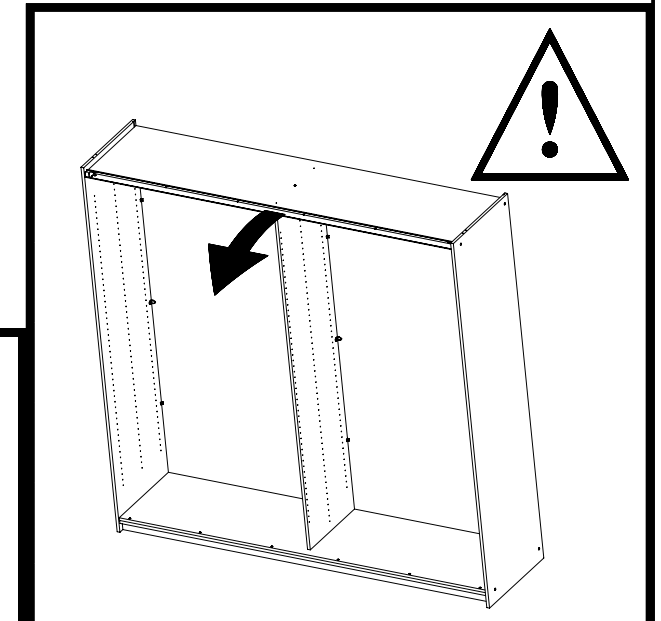
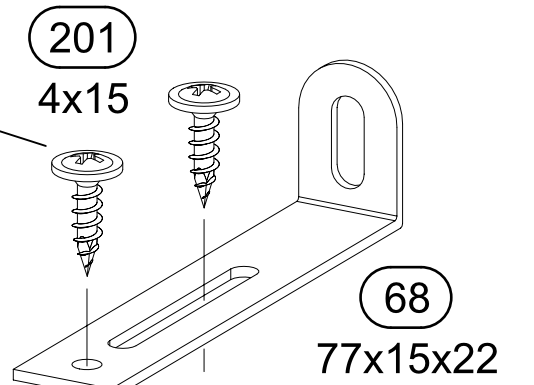
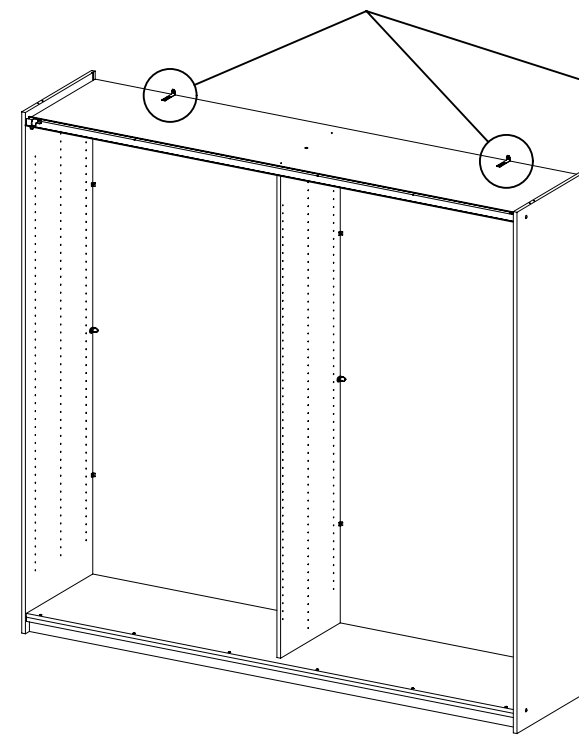
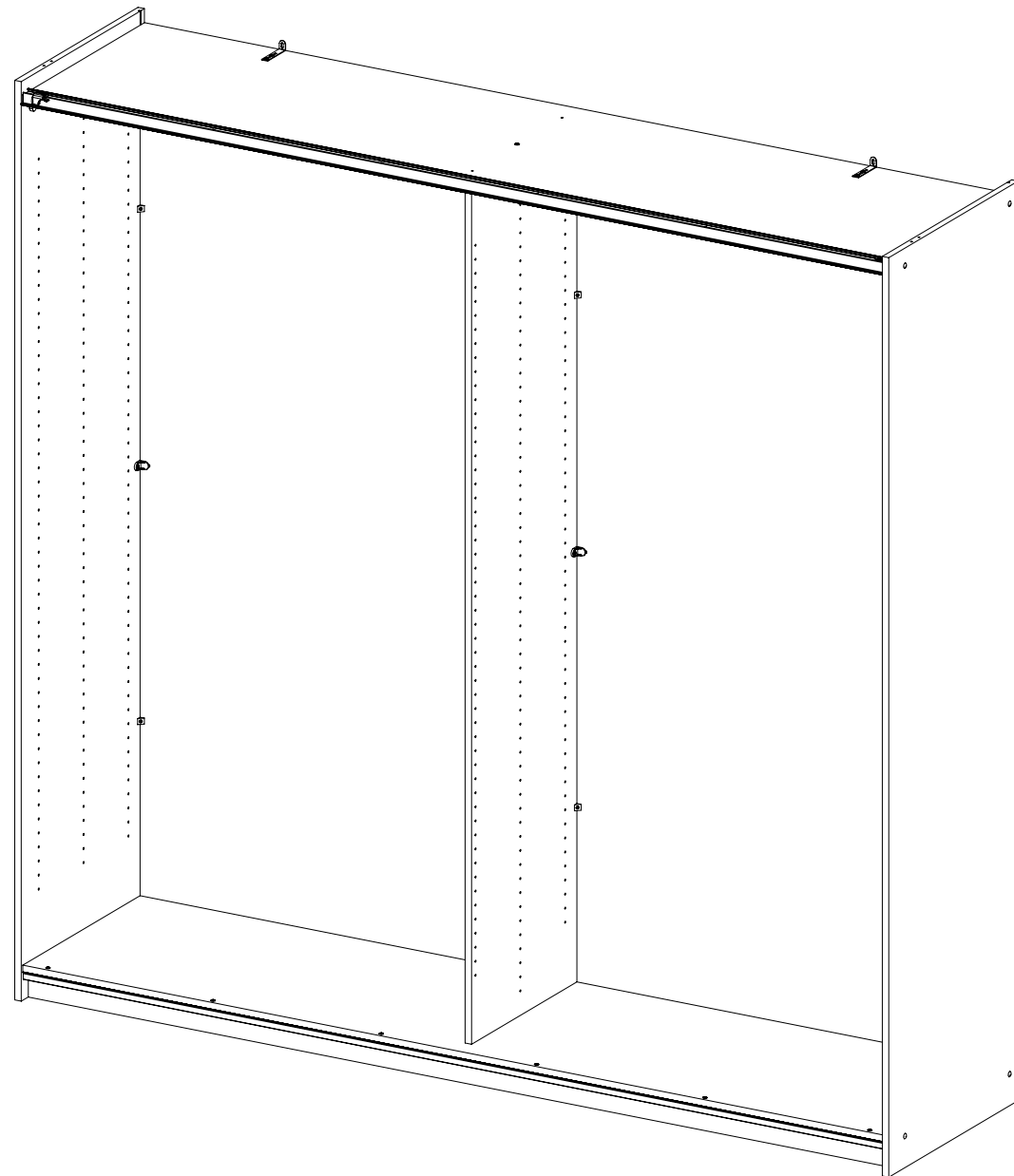
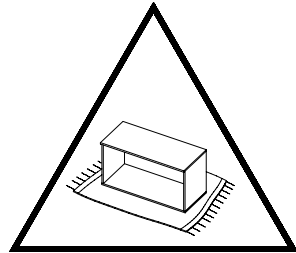
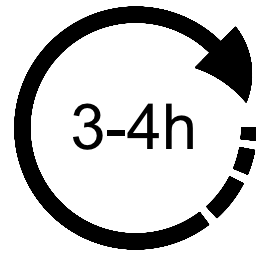
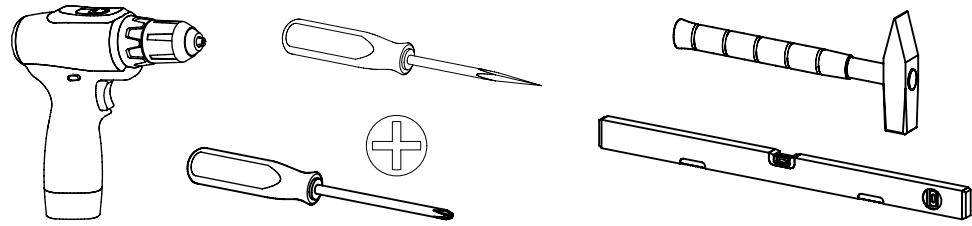
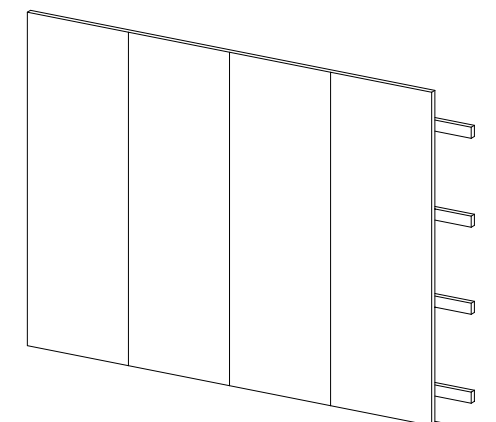
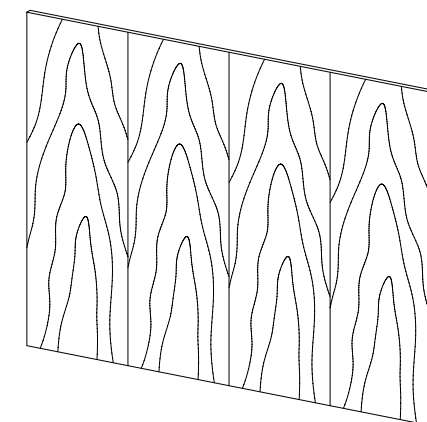
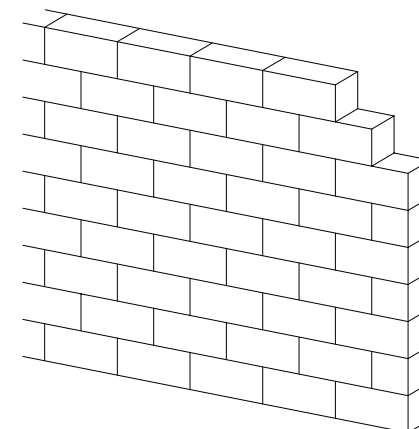
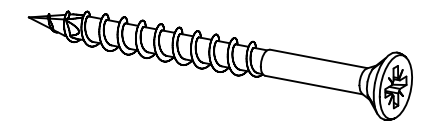
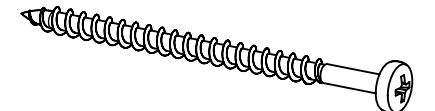
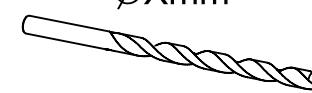


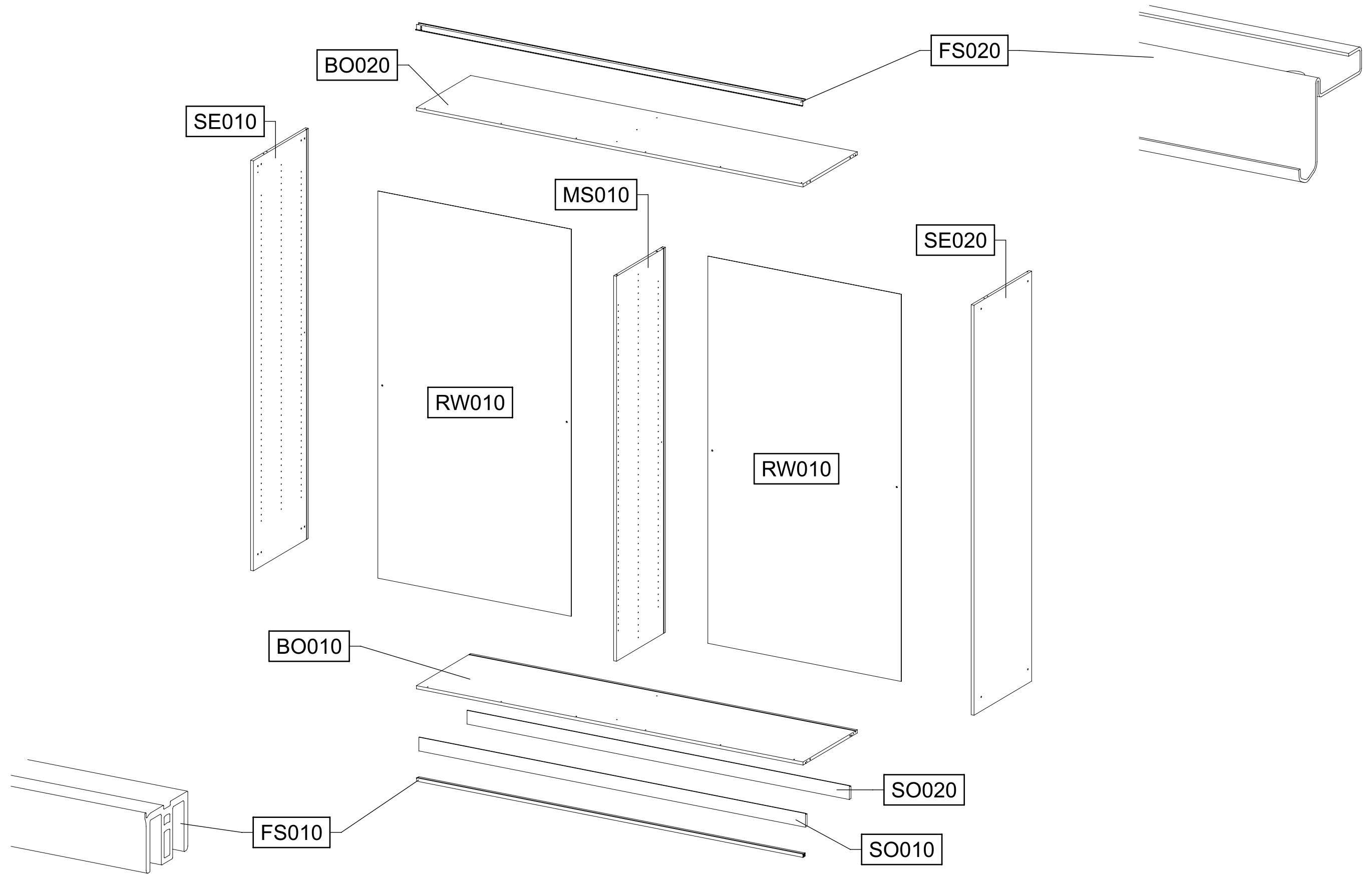
M2663\_01

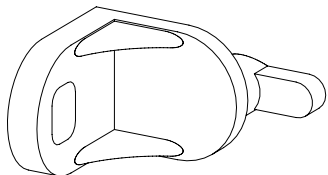
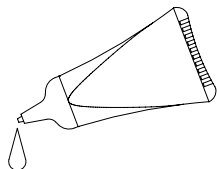
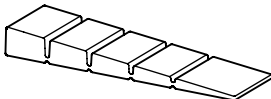

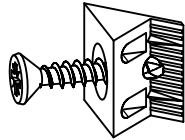
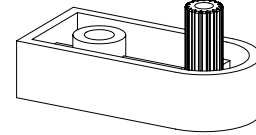
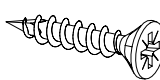
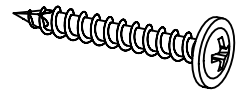
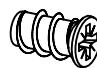
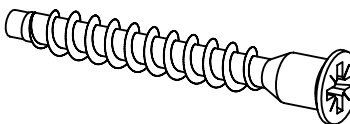
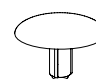
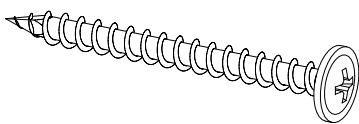
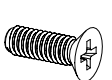
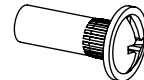
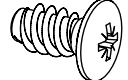
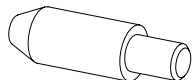
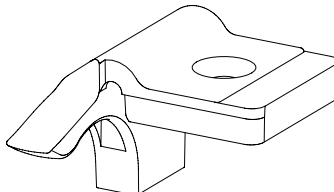
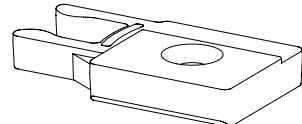
rauch

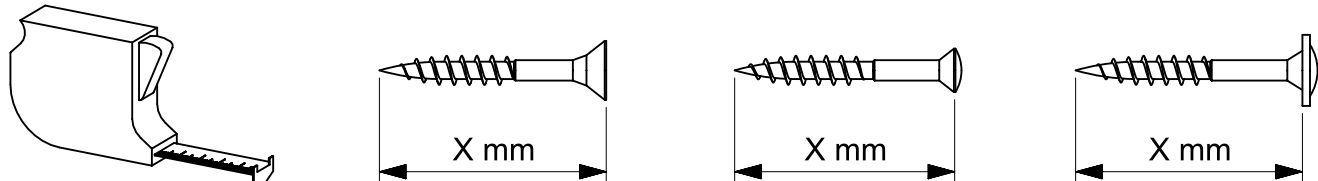
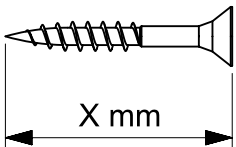
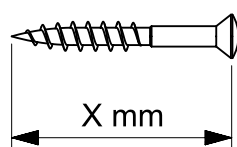
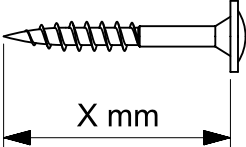


ØXmm

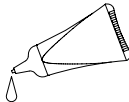


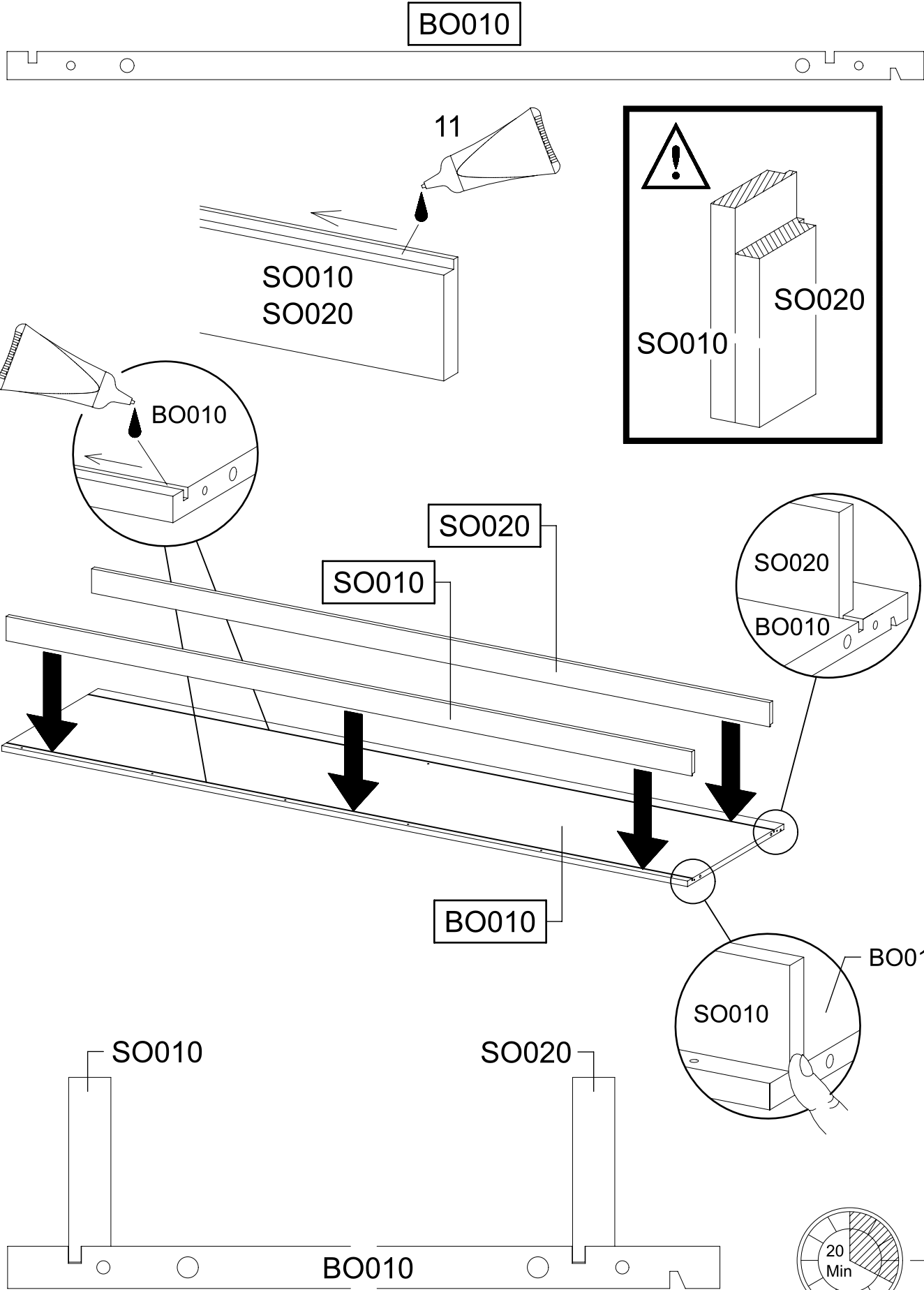



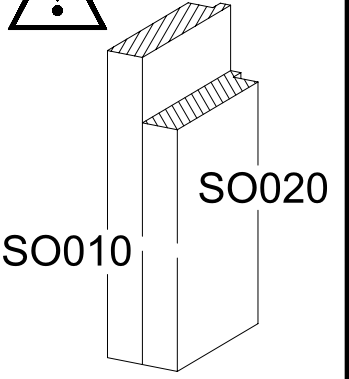
4x 1 	11 	2x 12 55x16x6,2 	
8x 18 8x30 	8x 45 	2x 133 31,8x15x8 	
2x 260 4,0x22 	6x 203 4x30 	4x 227 6x10,5 	
8x 233 6,3x50 	8x 271 	1x 296 4,5x50 	
2x 444 M4x12 	2x 580 M4 	4x 779 6,5x12 	4x 807 
1x 957 	1x 958 		

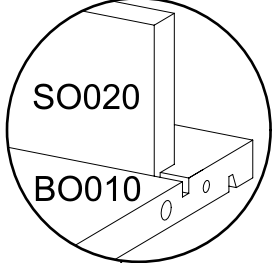
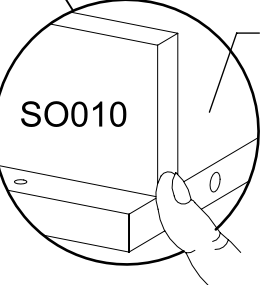





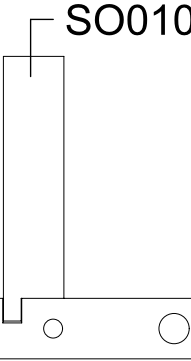
1



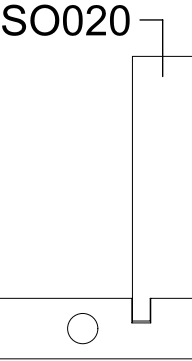


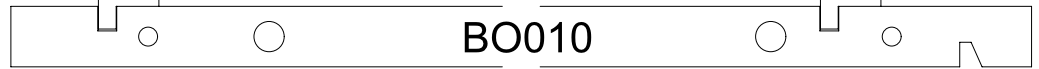





SO010



SO020



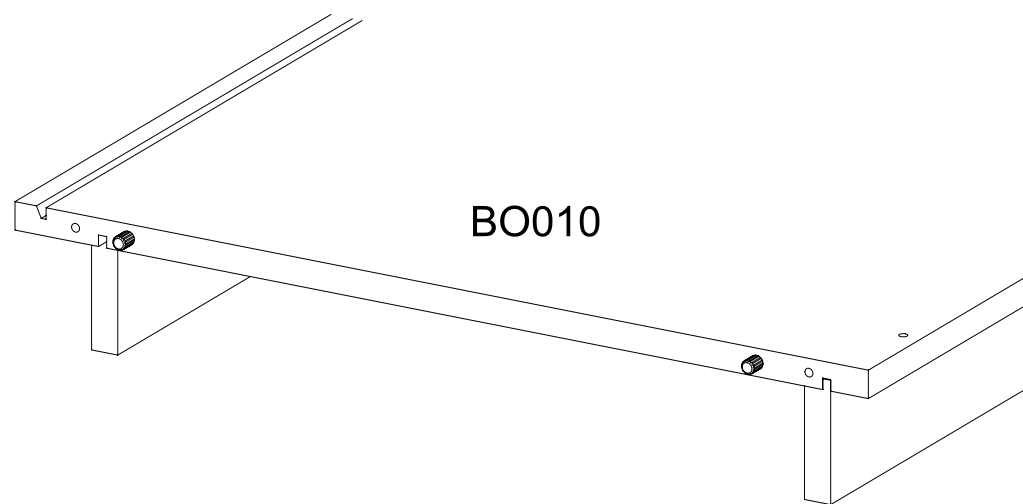
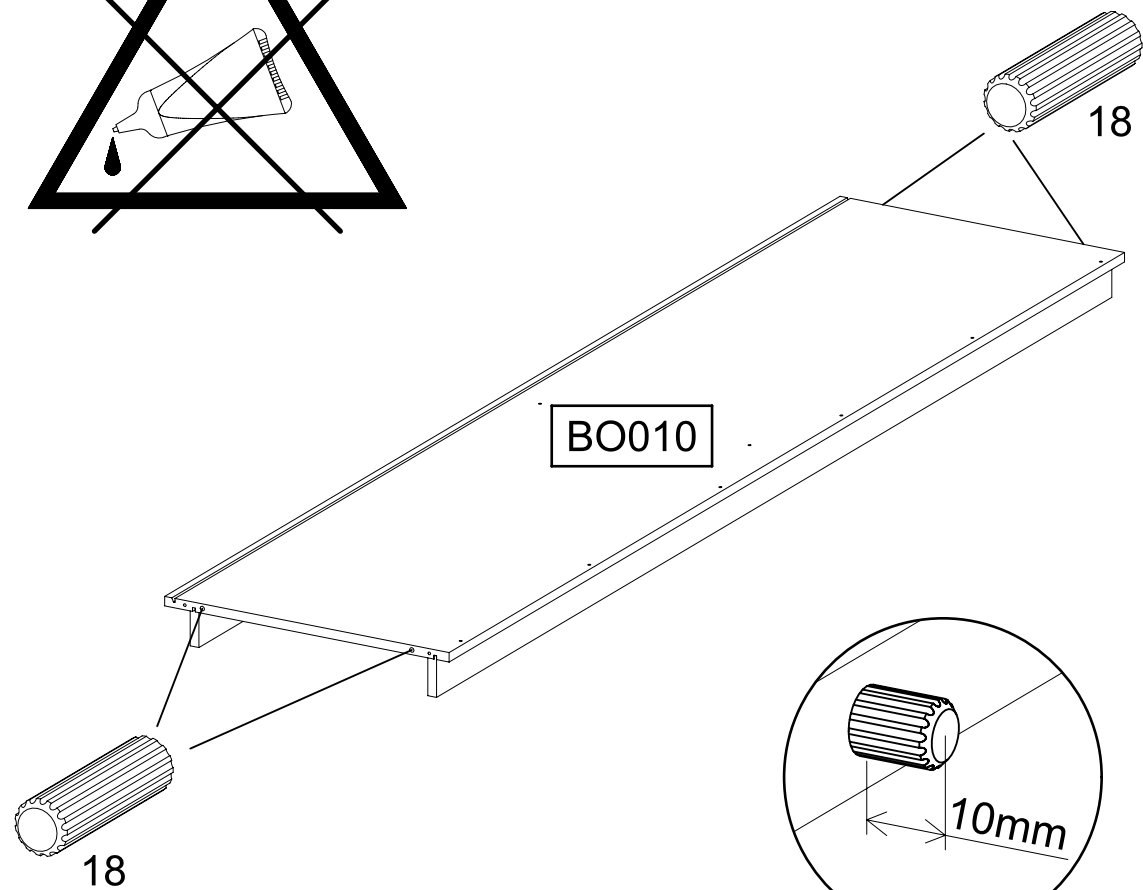
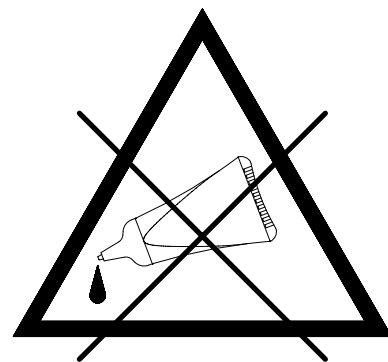
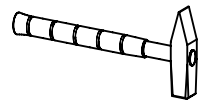
20  
Min

2

4x

18

8x30



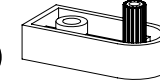
BO010

3

1x

133

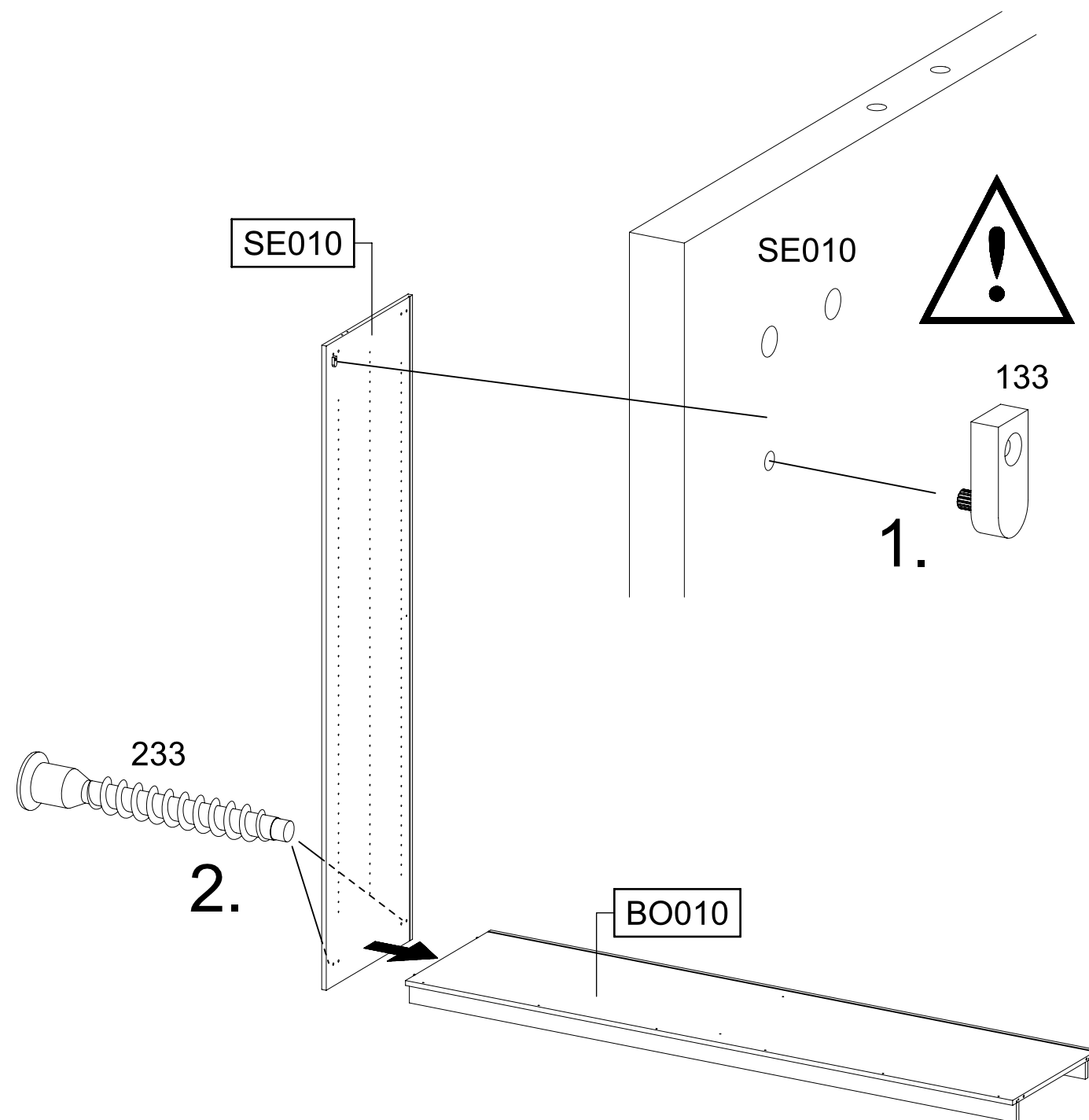
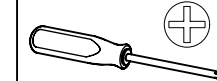
31,8x15x8



2x

233

6,3x50



SE010

SE010

133

1.

233

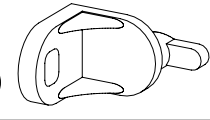
2.

BO010

4

1x

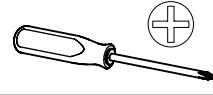
1



1x

779

6,5x12



1.

SE010

RW010

1

2.

1

RW010

779

SE010

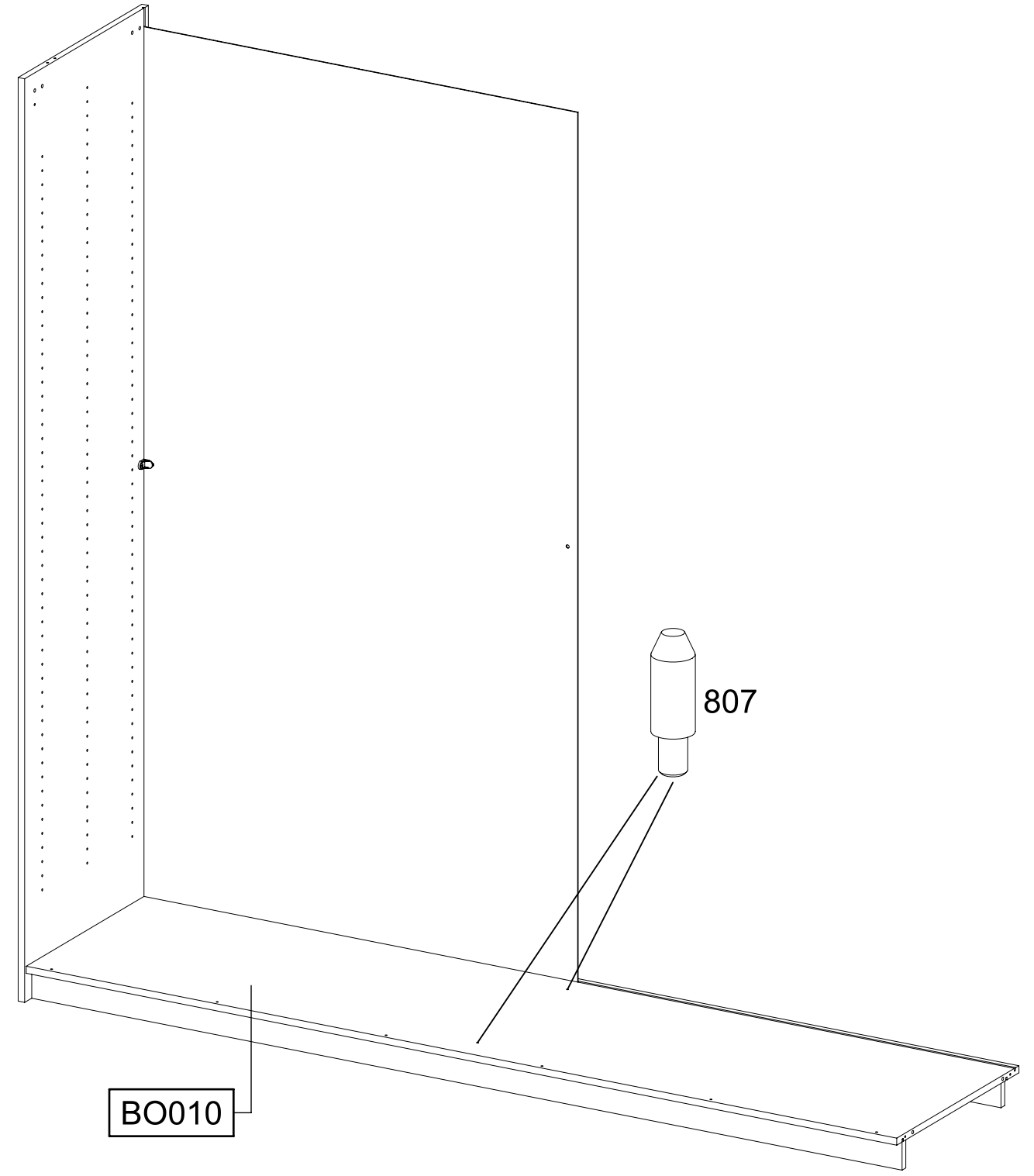
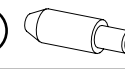
RW010

SE010

5

2x

807

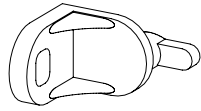


807

BO010

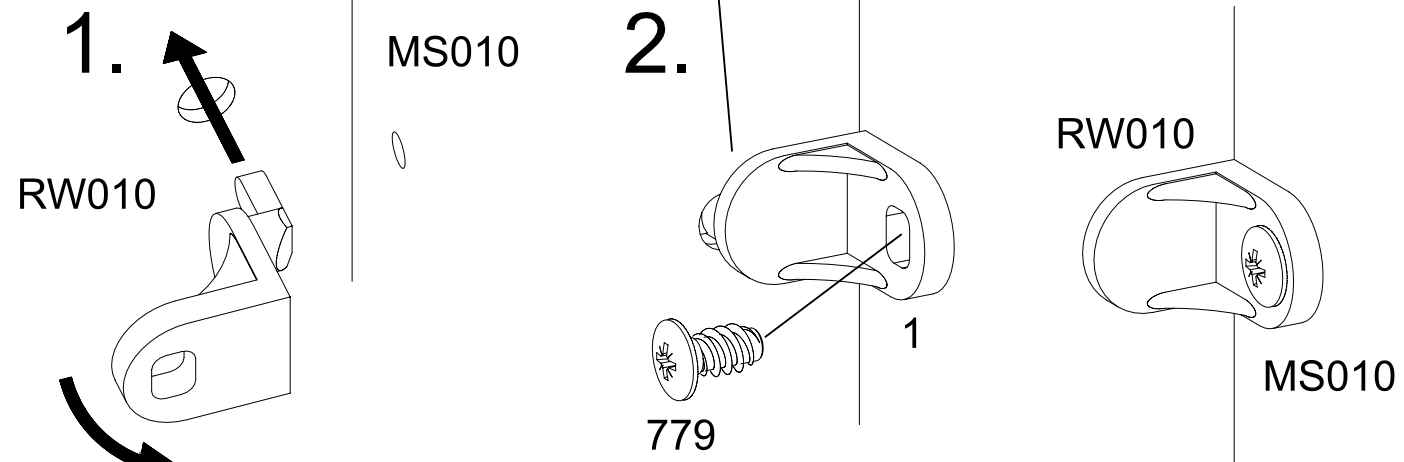
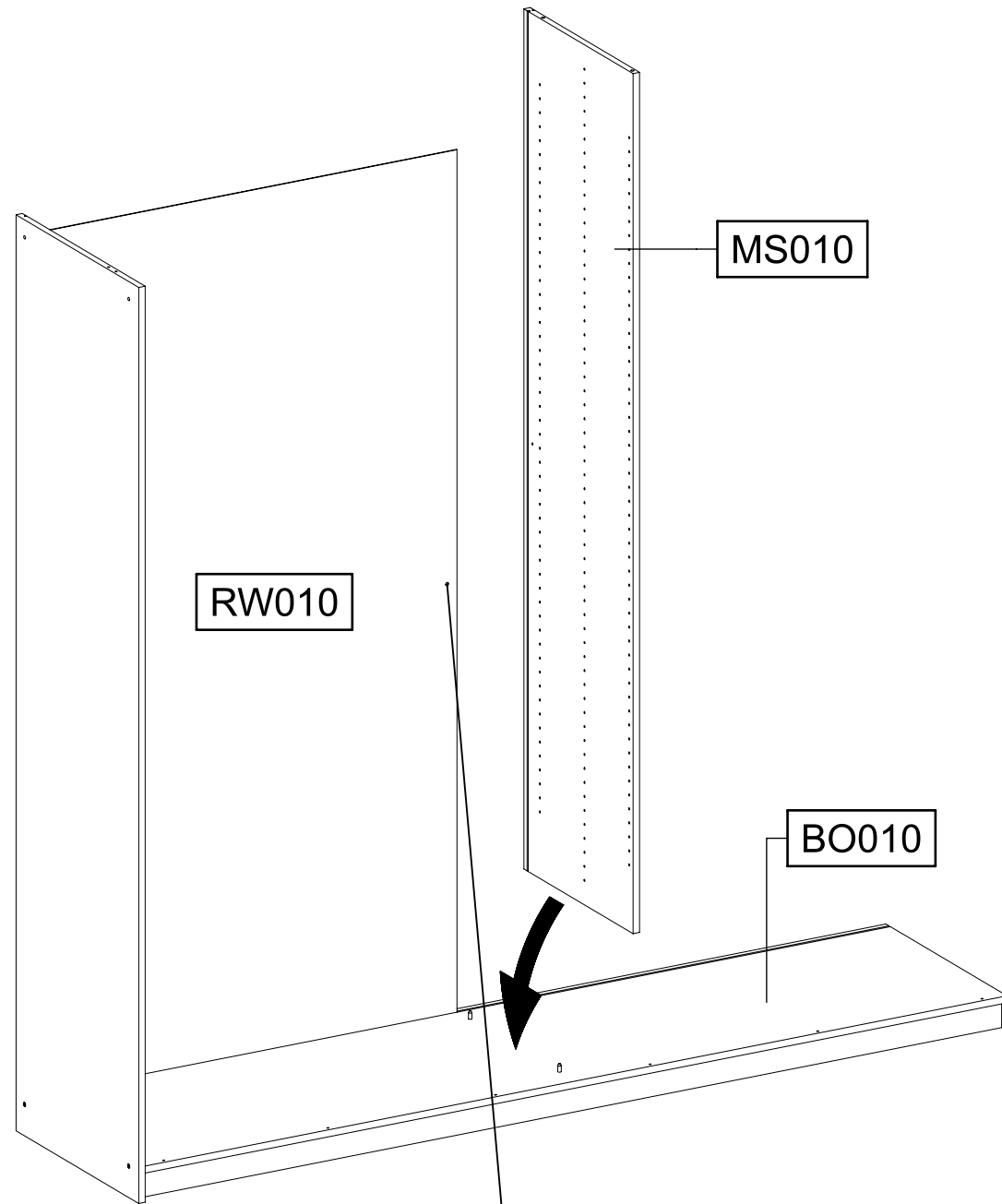
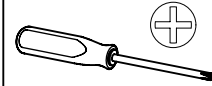
6

1x 1



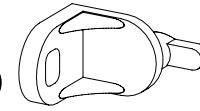
1x 779

6,5x12



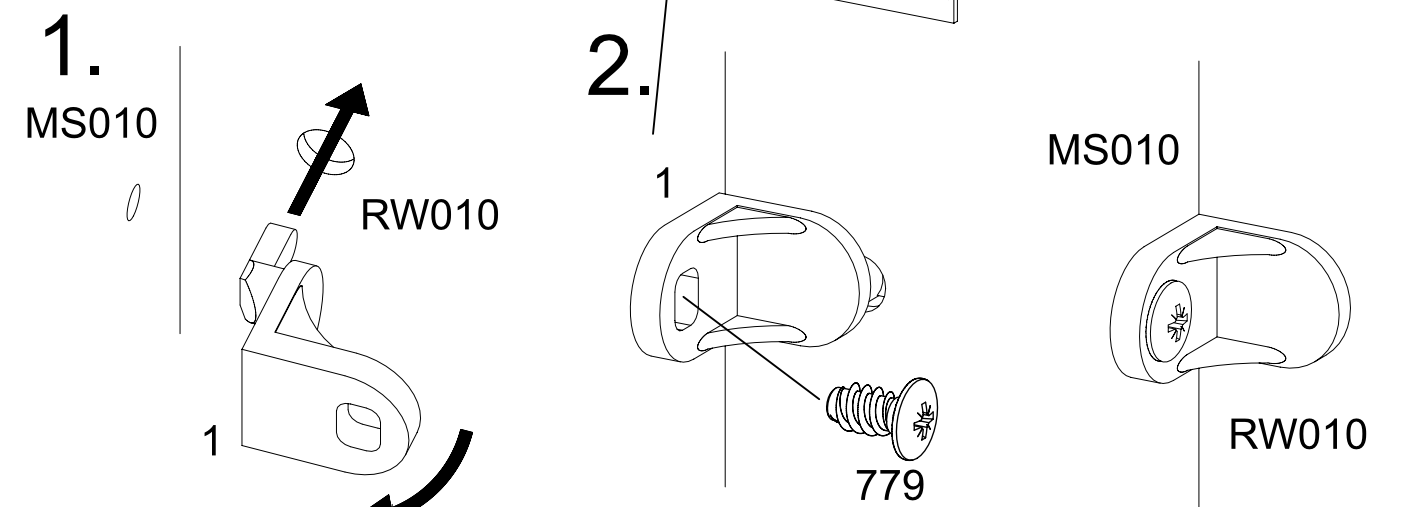
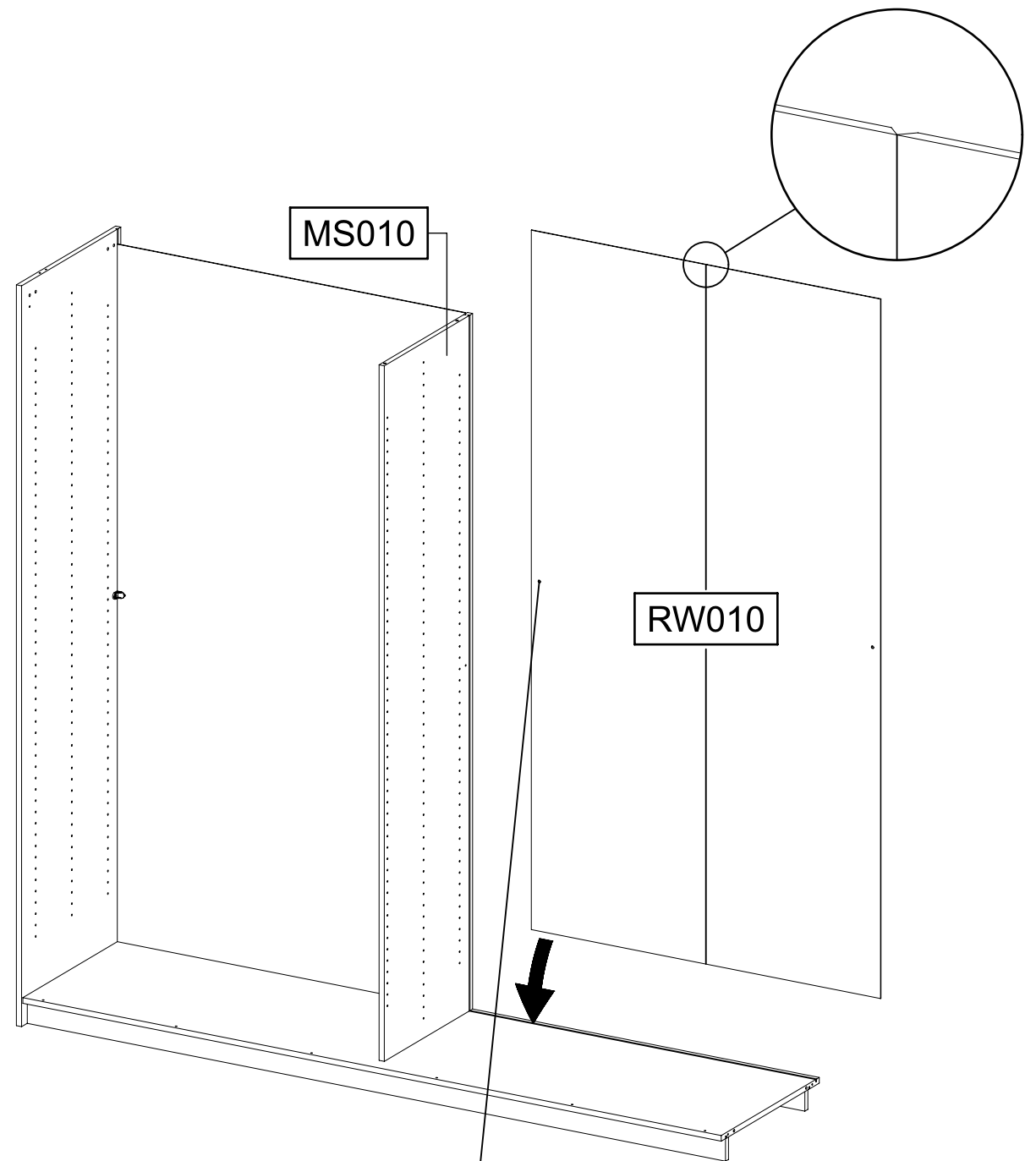
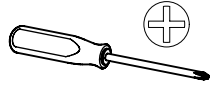
7

1x 1



1x 779

6,5x12

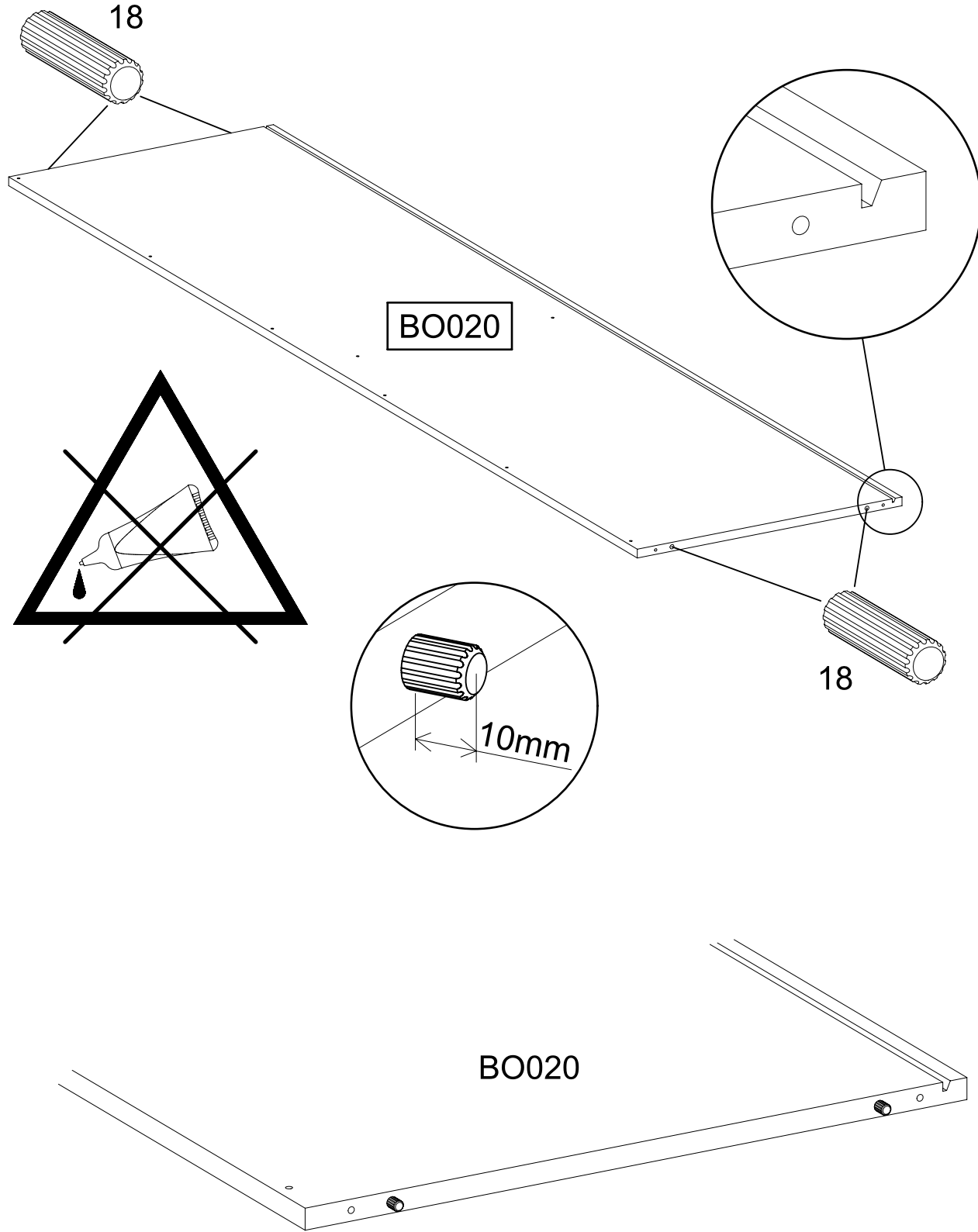
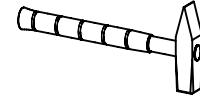


8

4x

18

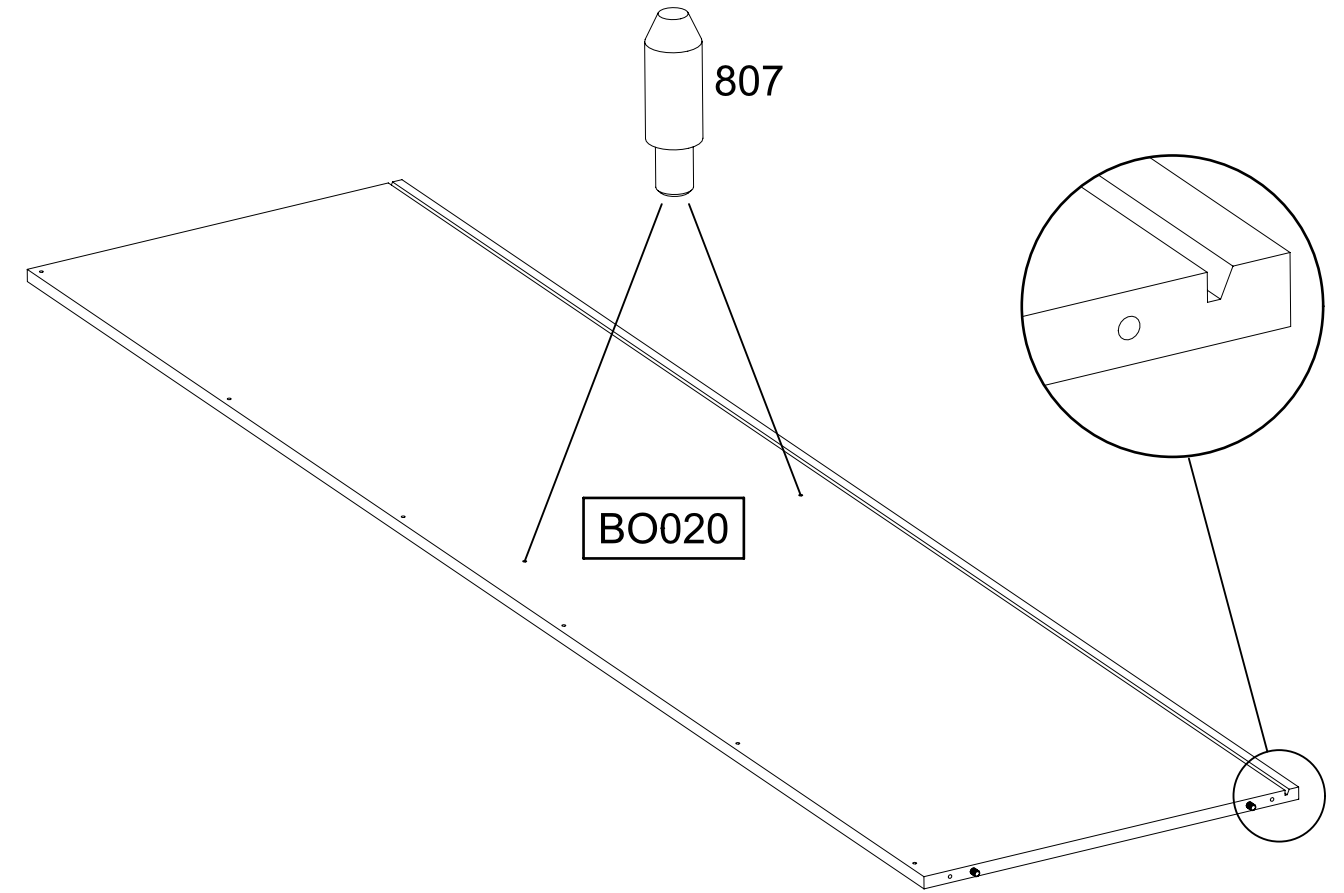
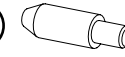
8x30

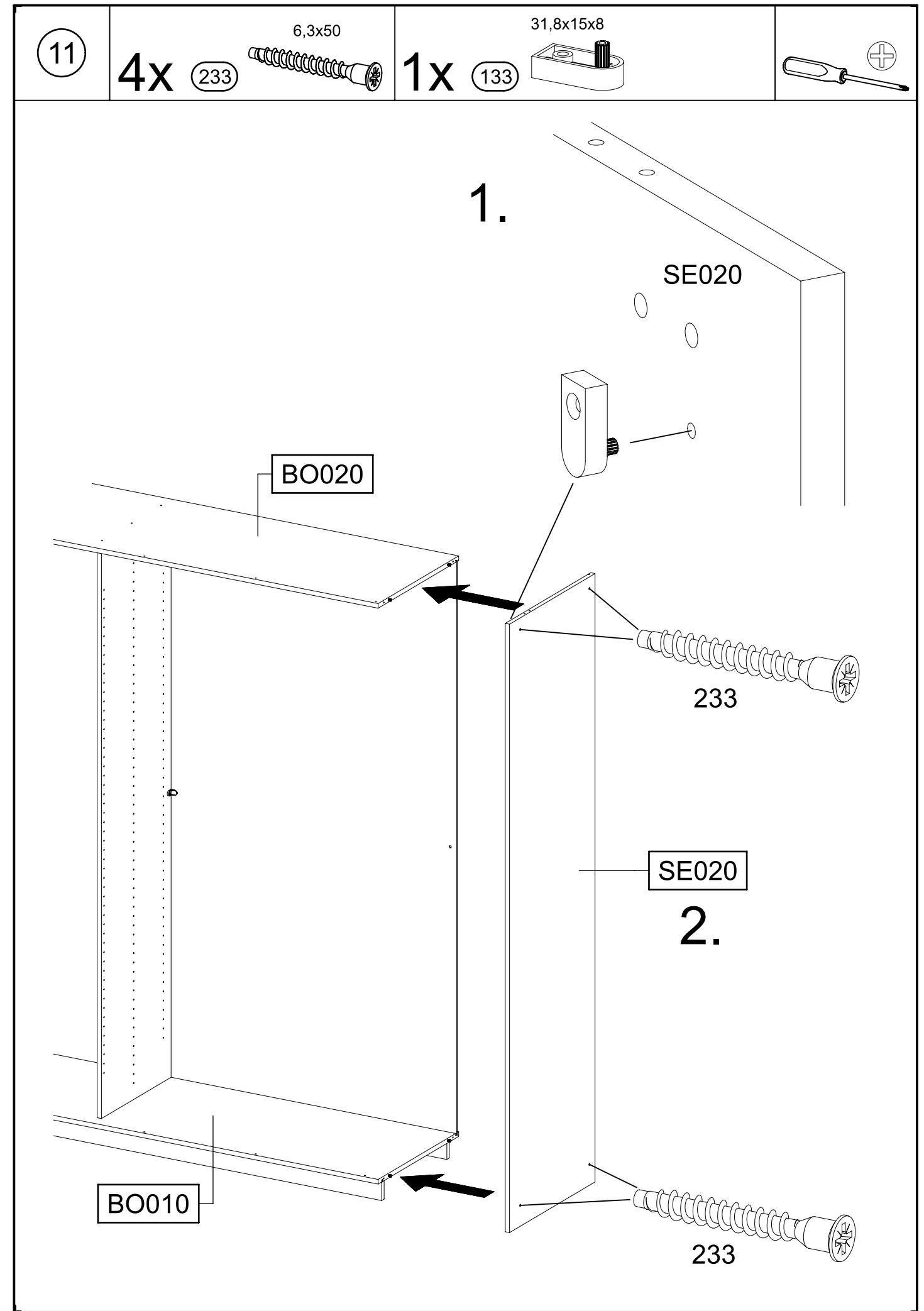
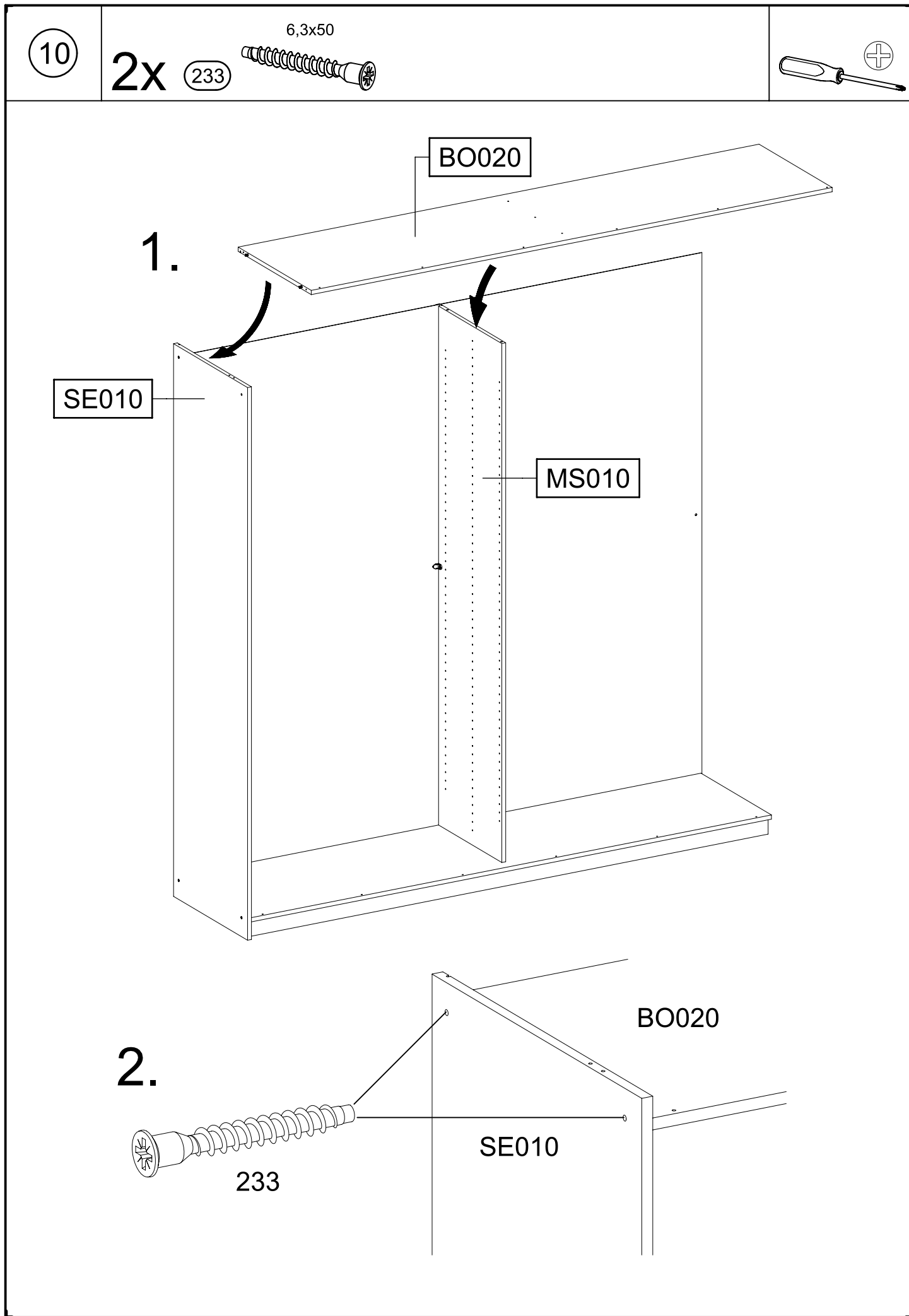


9

2x

807

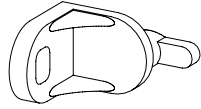






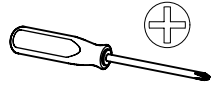
12

1x 1

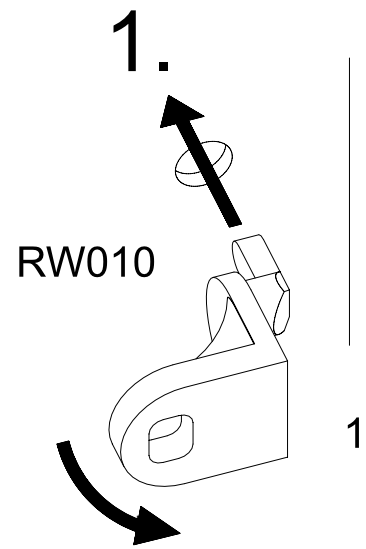


1x 779

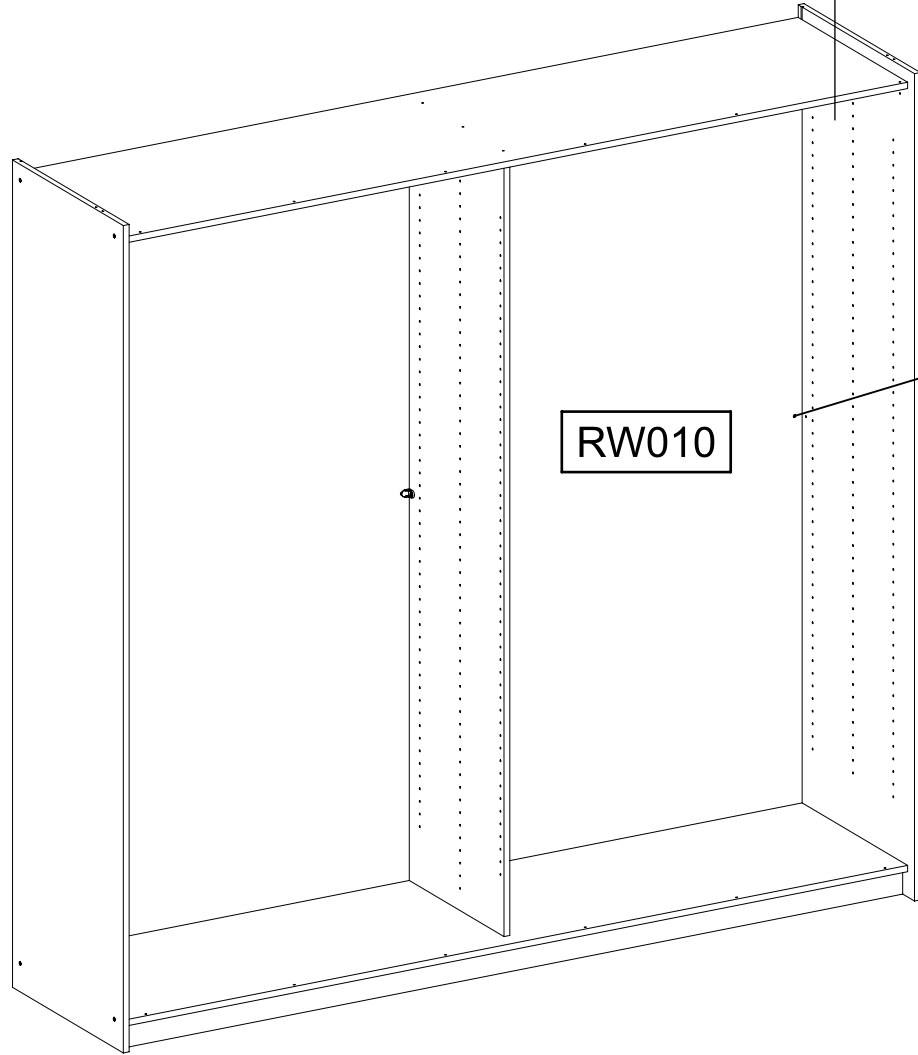
6,5x12



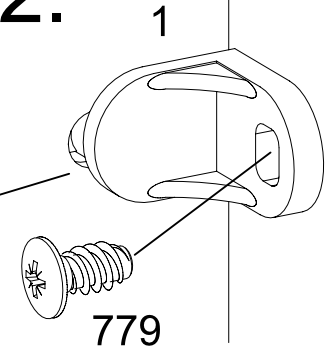
SE020



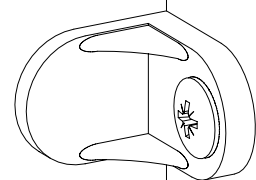
SE020



2.



RW010

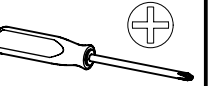
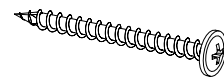


SE020

13

1x 296

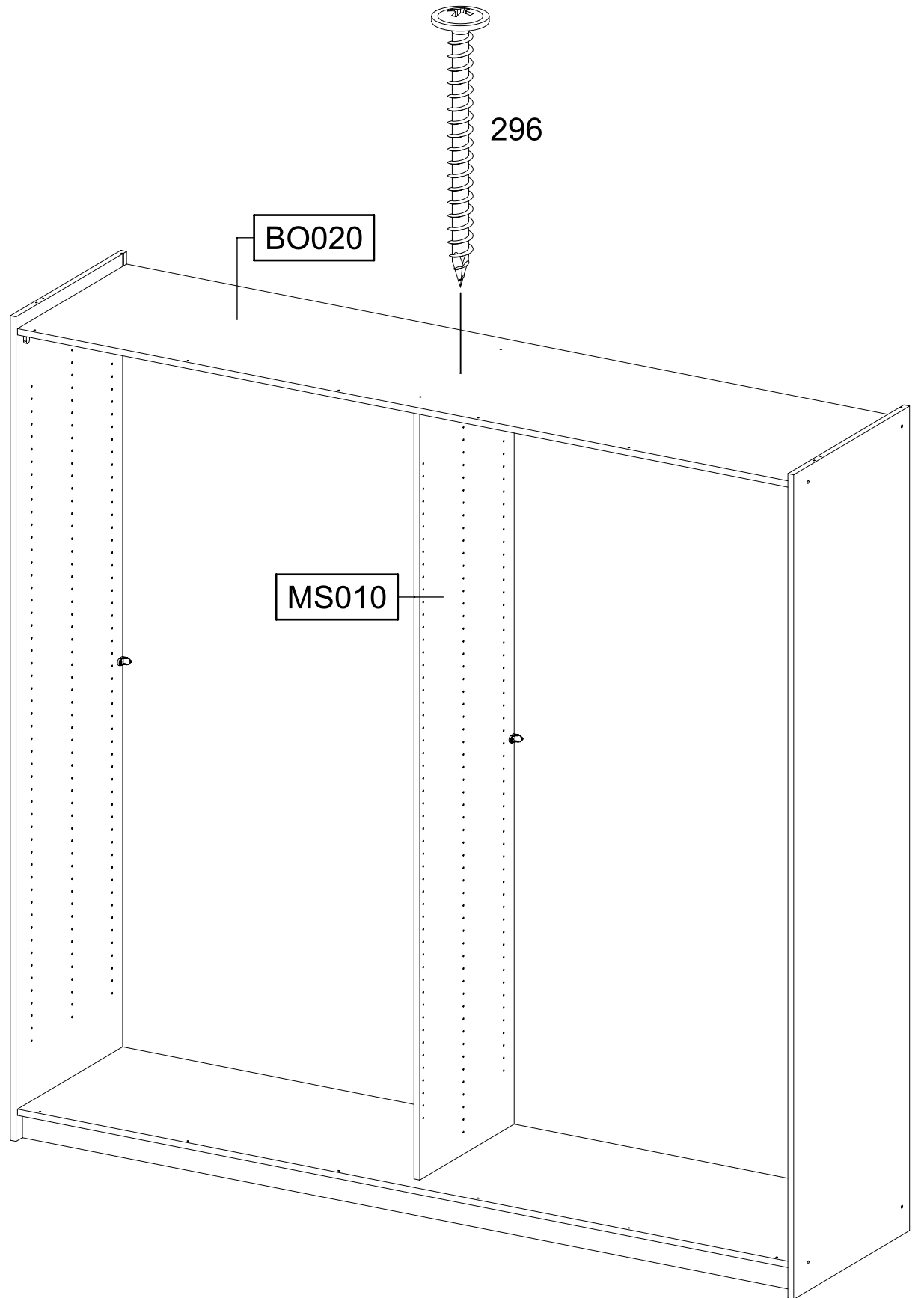
4,5x50



296

BO020

MS010

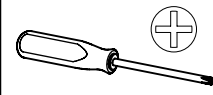
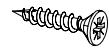


14

2x

260

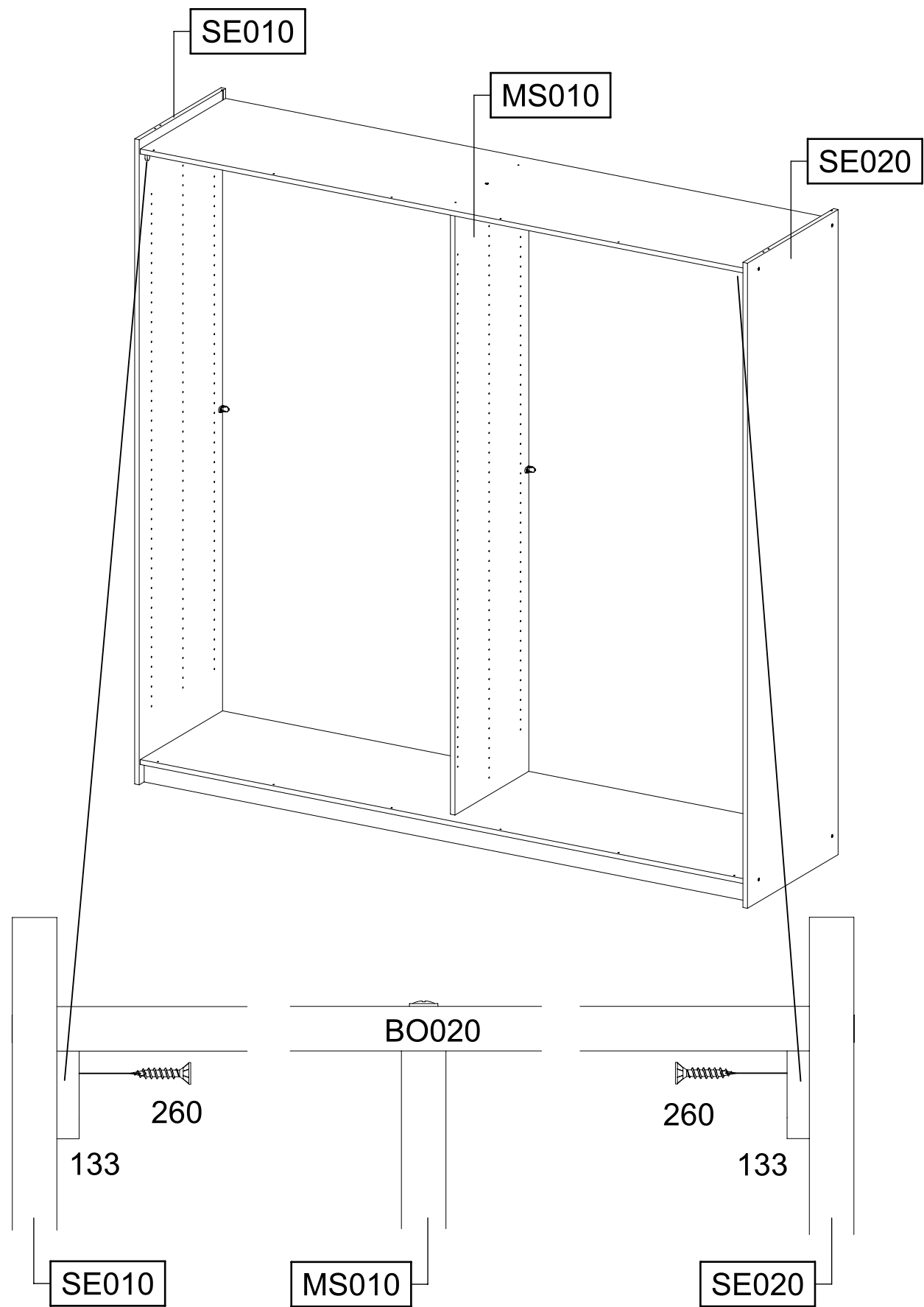
4,0x22



SE010

MS010

SE020



BO020

260

133

260

133

SE010

MS010

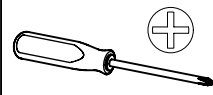
SE020

15

4x

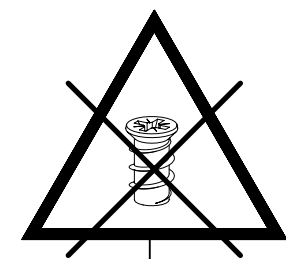
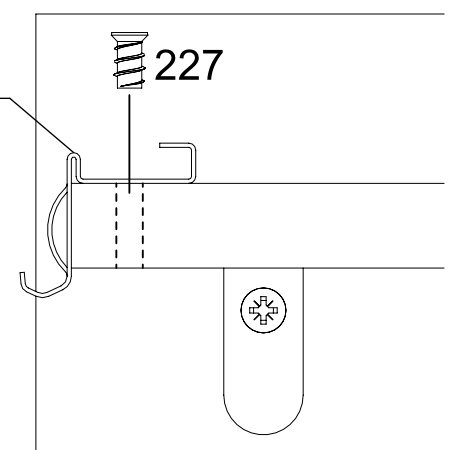
227

6x10,5

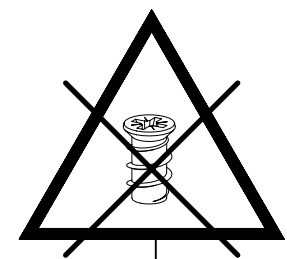


FS020

227

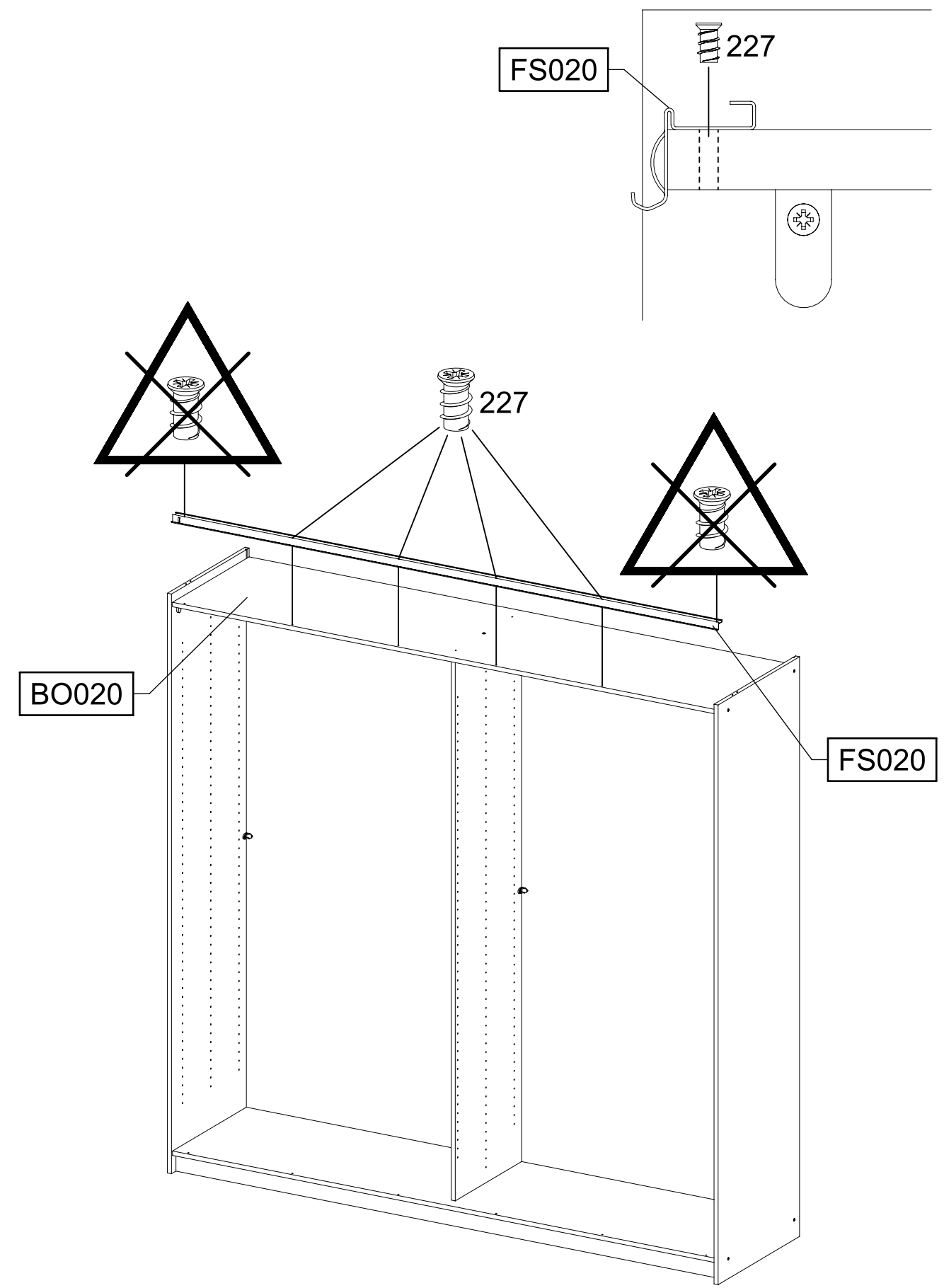


227

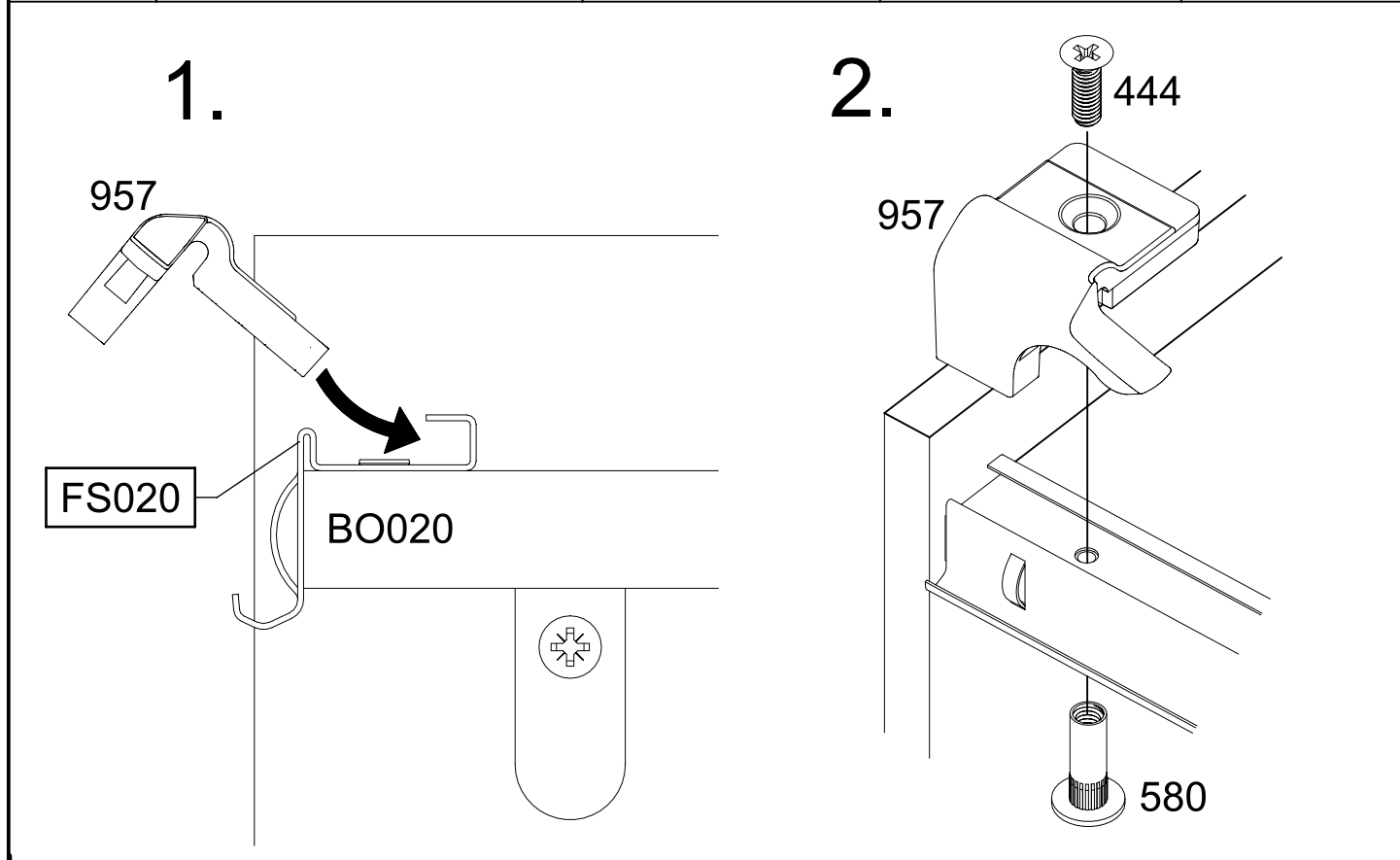


BO020

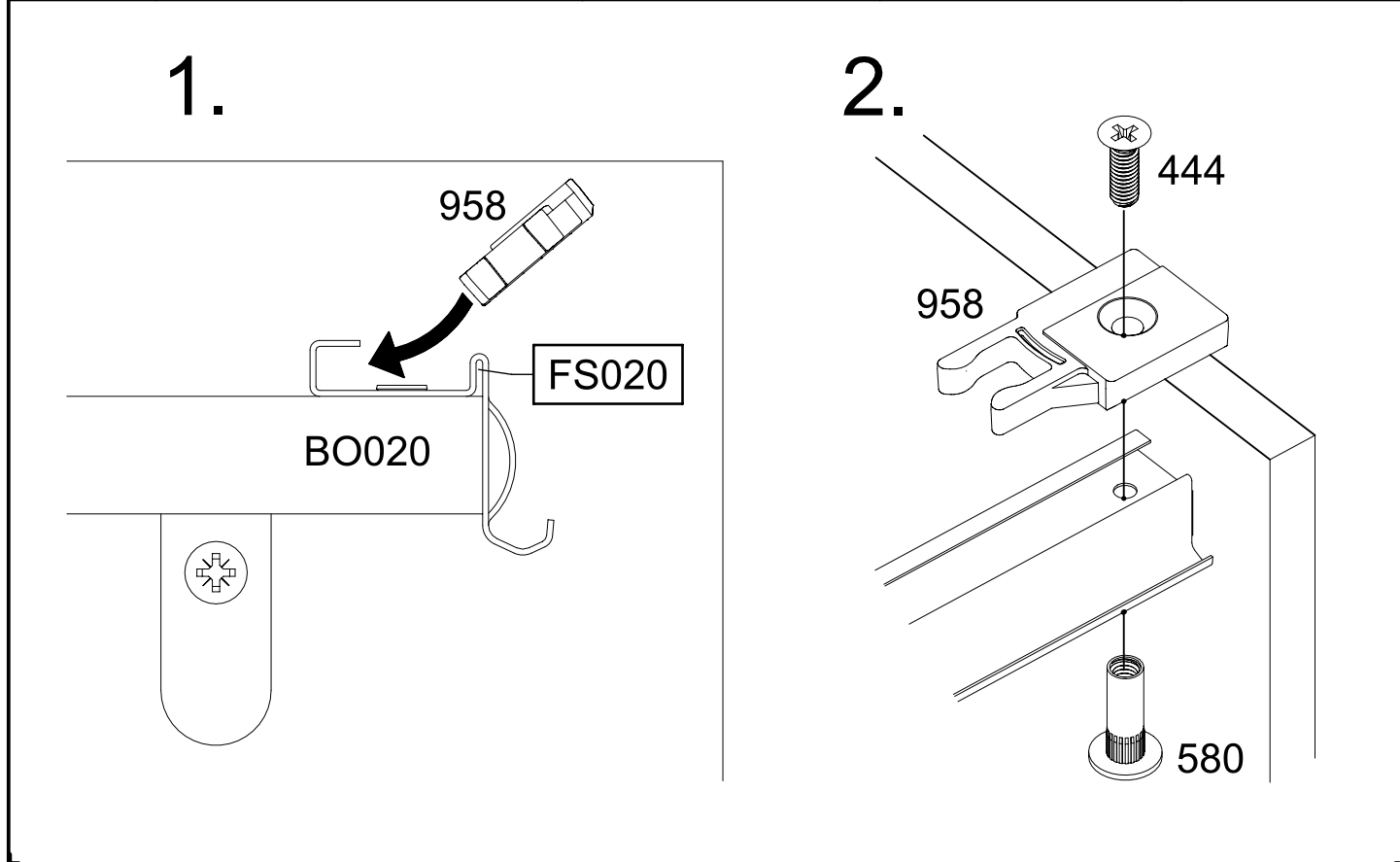
FS020



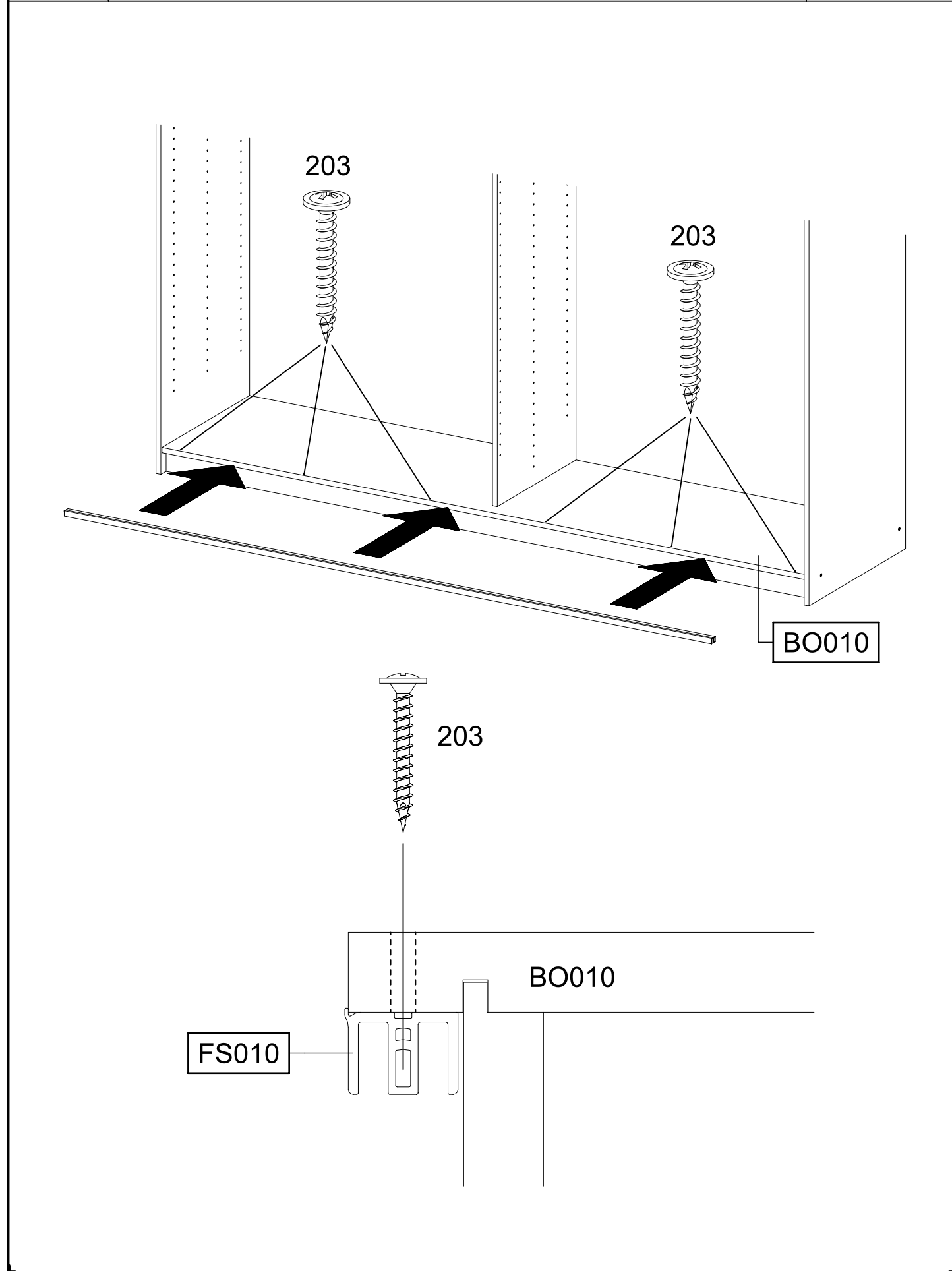
16 1x 957 1x 444 M4x12 1x 580 M4



17 1x 958 1x 444 M4x12 1x 580 M4



18 6x 203 4x30

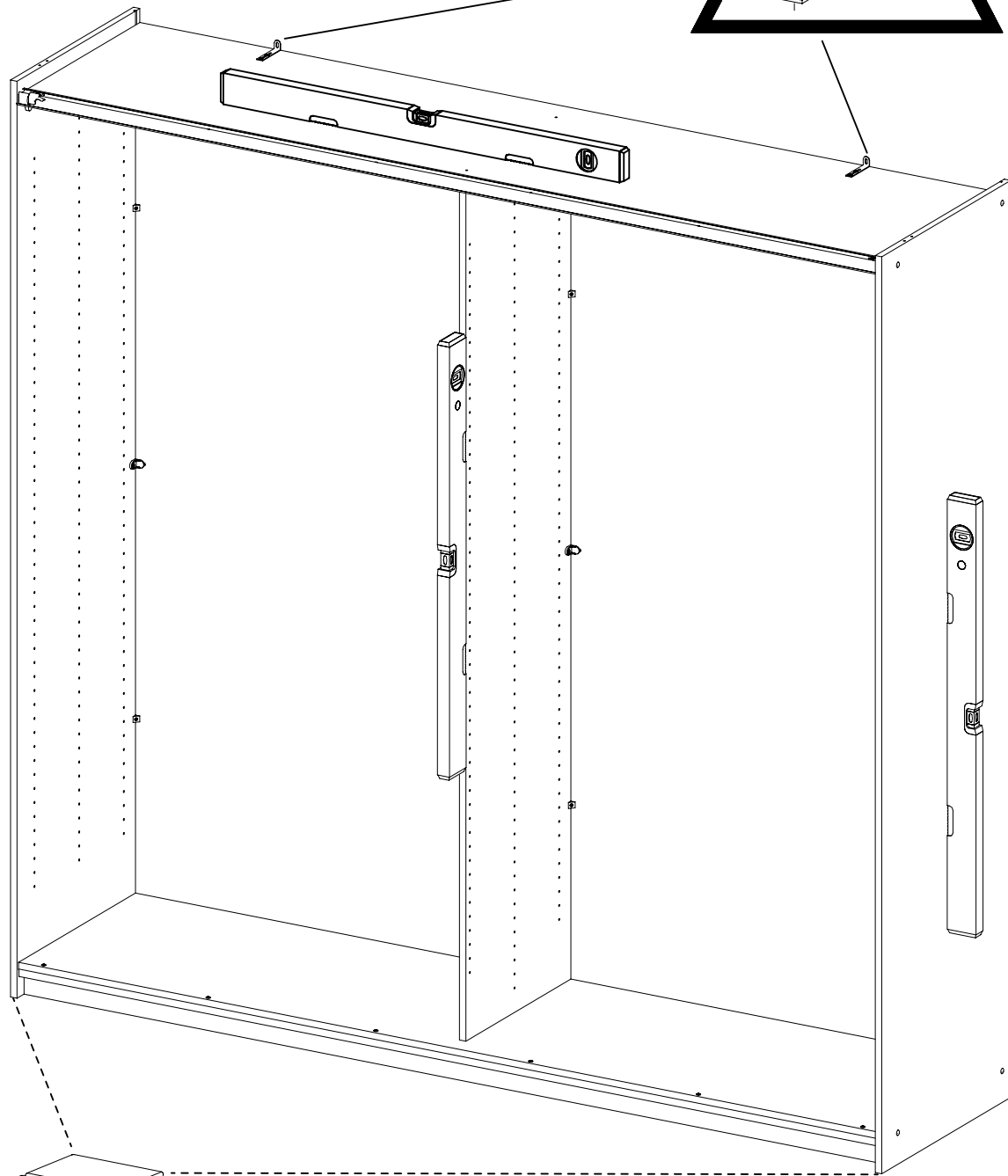
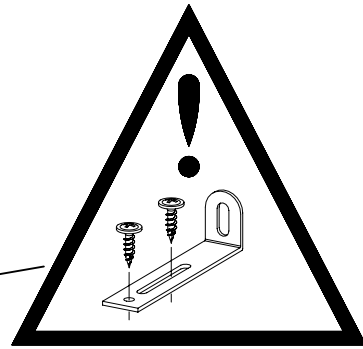
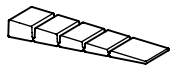


19

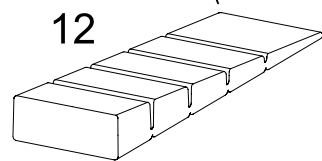
0-2x

12

55x16x6,2



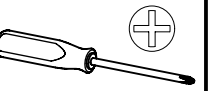
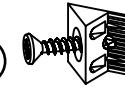
12



20

8x

45



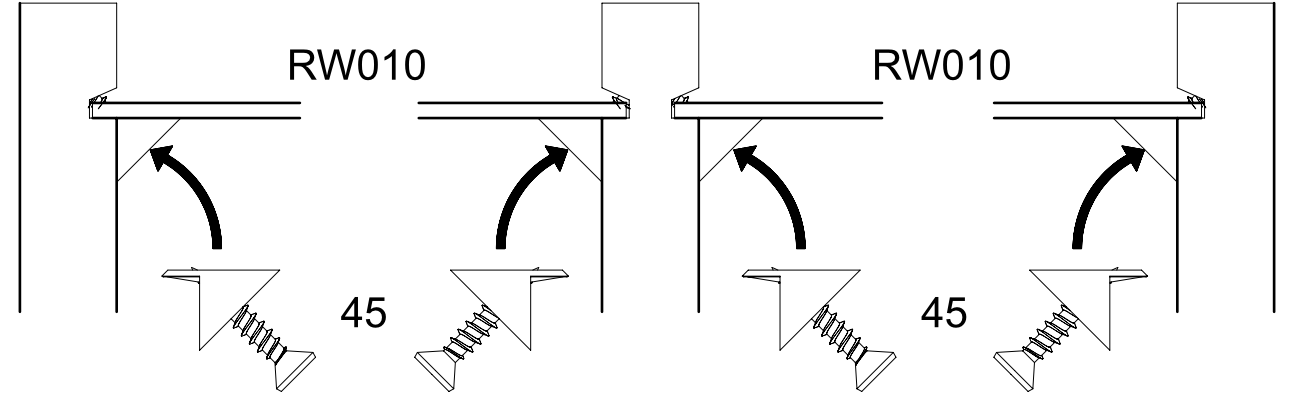
SE010

MS010

SE020

RW010

RW010



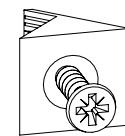
45

45

SE010

MS010

SE020



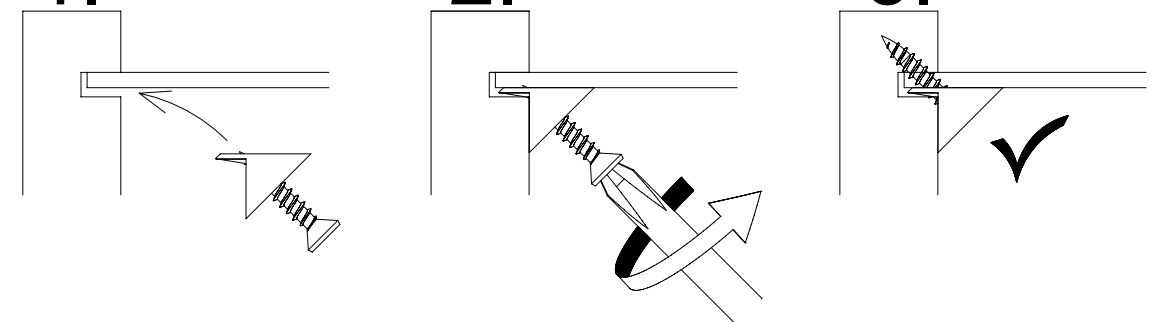
45

45

1.

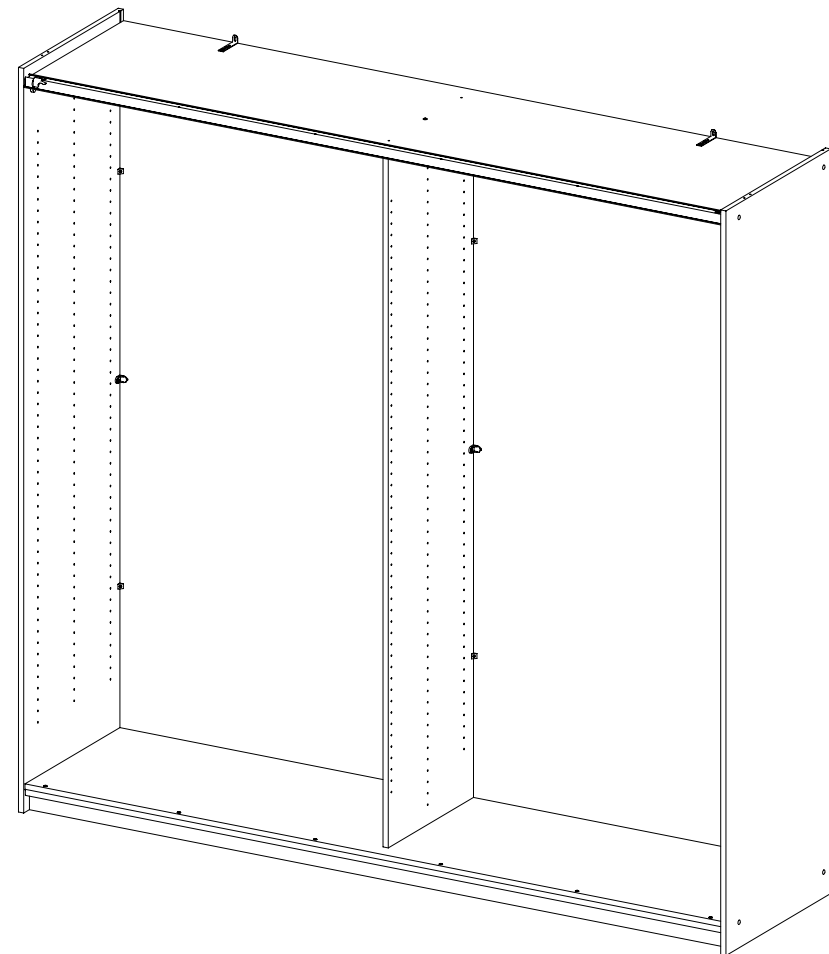
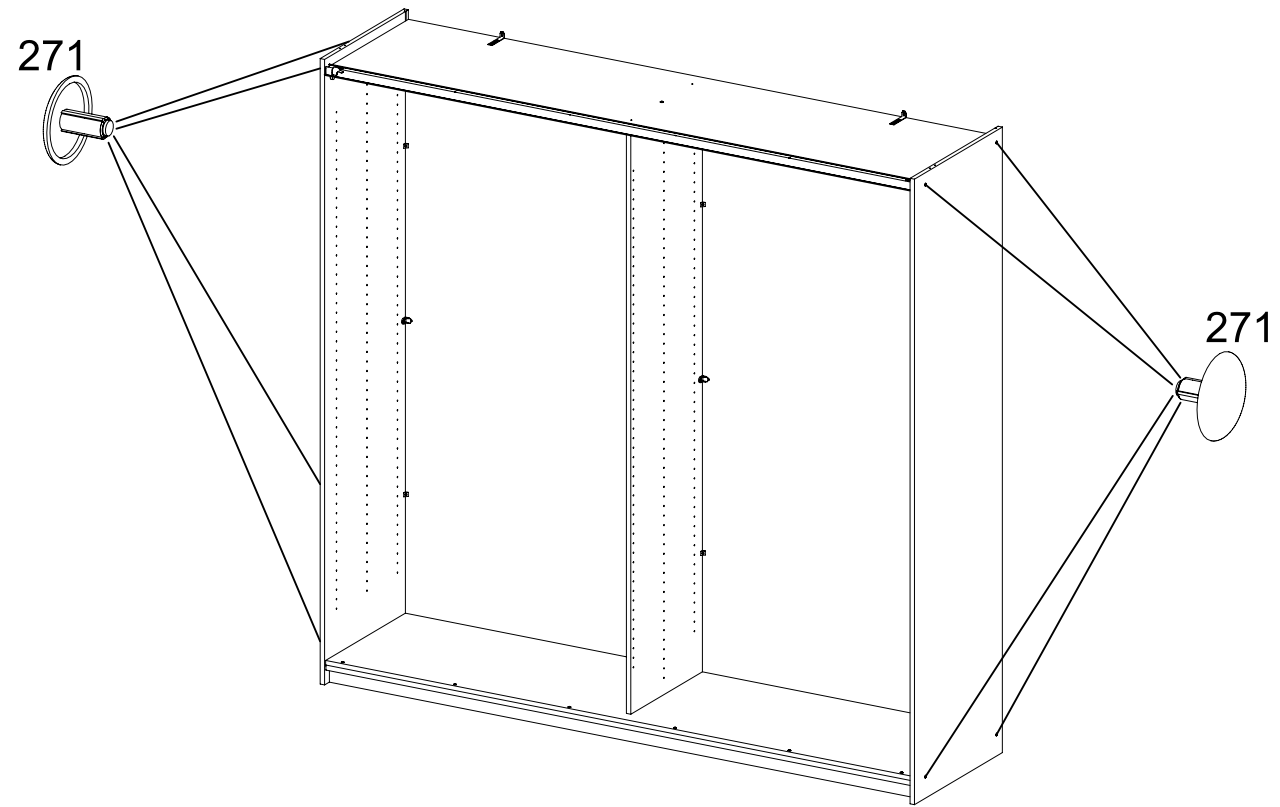
2.

3.



21

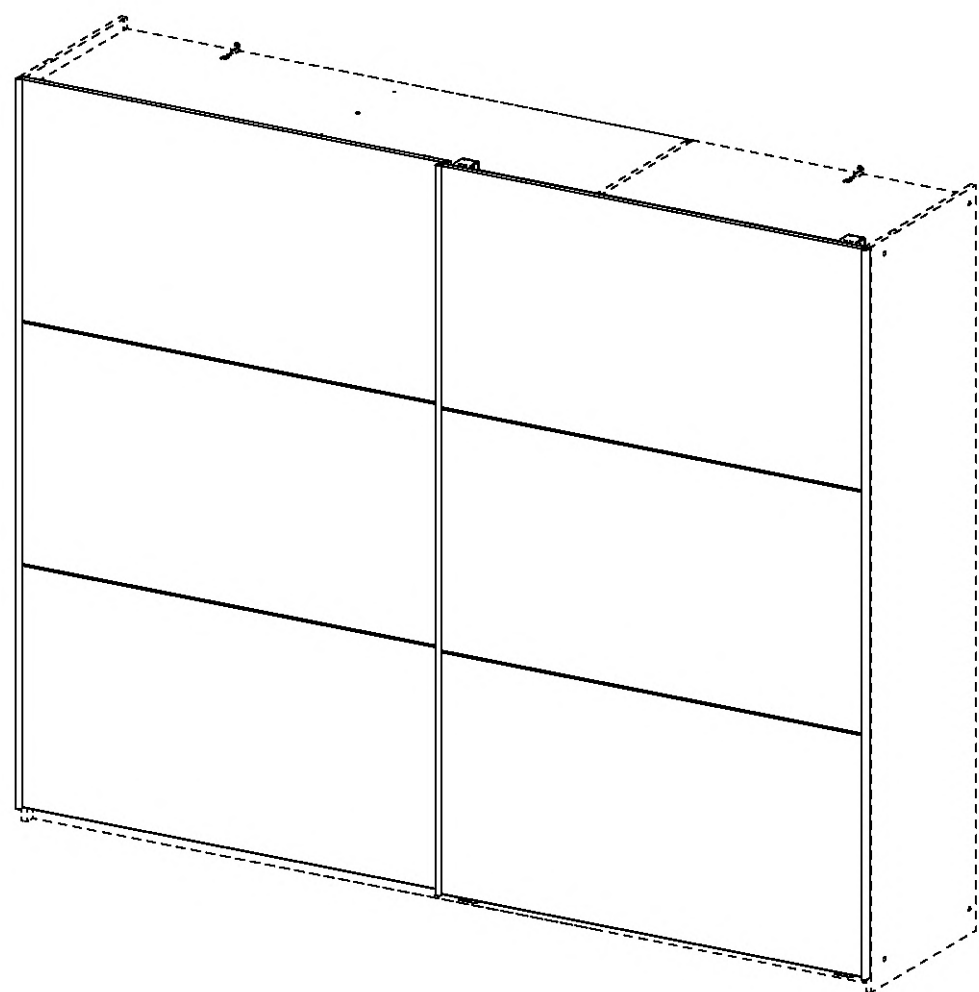
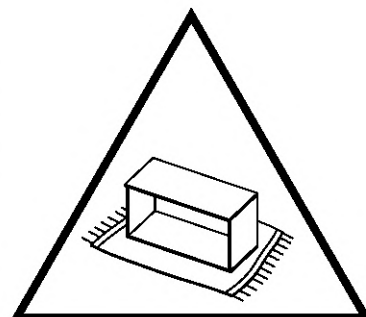
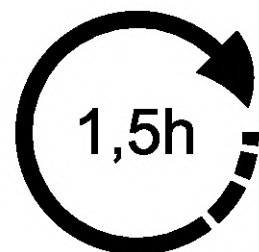
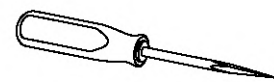
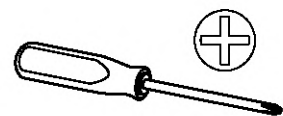
8x  271



1.

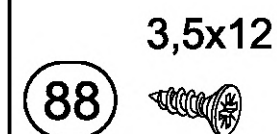
M9950\_01

rauch



2.

52x



6x

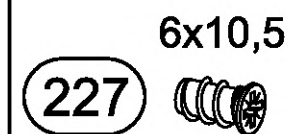
48x15x1,5



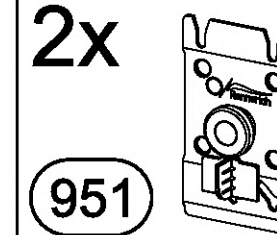
6x



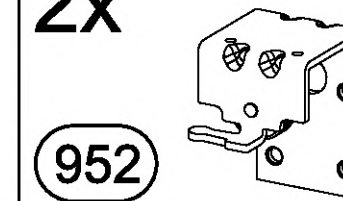
24x



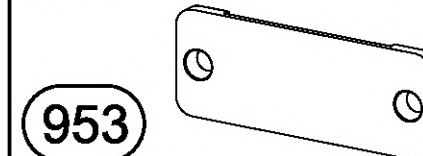
2x



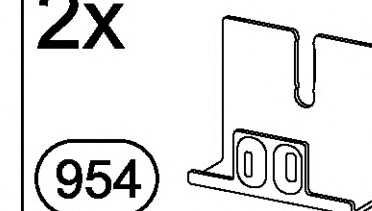
2x



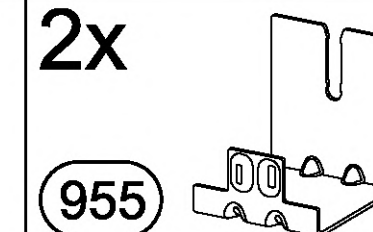
4x



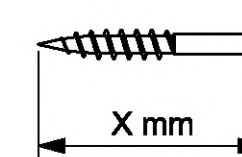
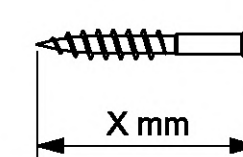
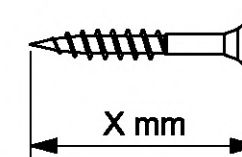
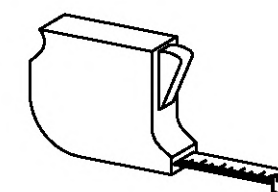
2x



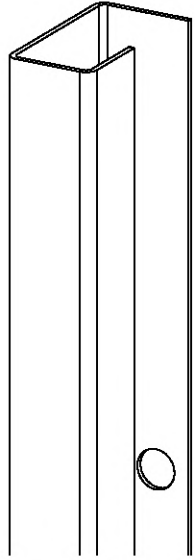
2x



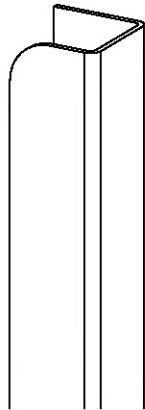
1x



GL010



PR010



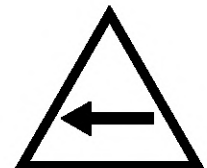
GL010

PR010

TU030

TU020

TU010



GL010

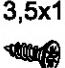
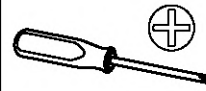
GL010

TU060


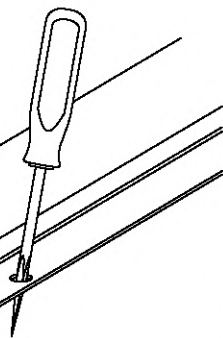
TU050

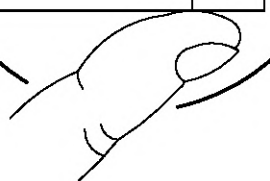
TU040

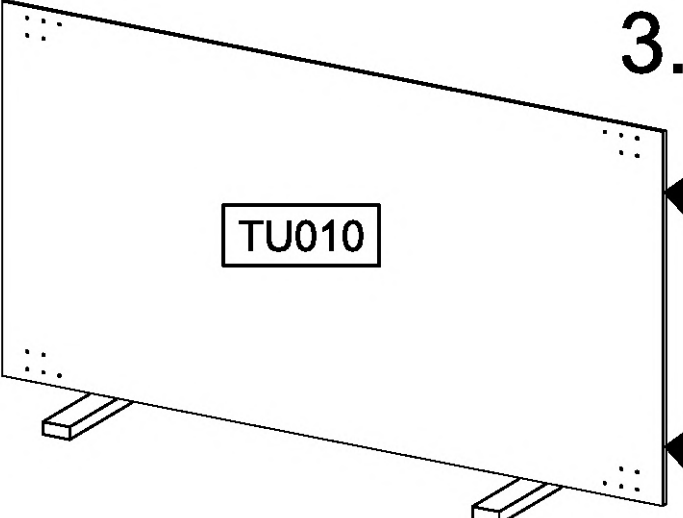
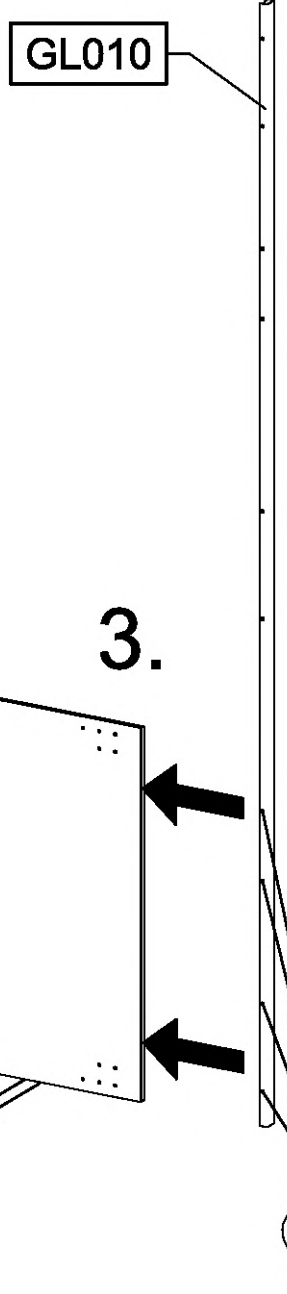



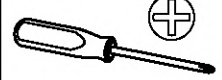
1 **4x** 88 3,5x12  

GL010 PR010 GL010 GL010

1.  

2. 

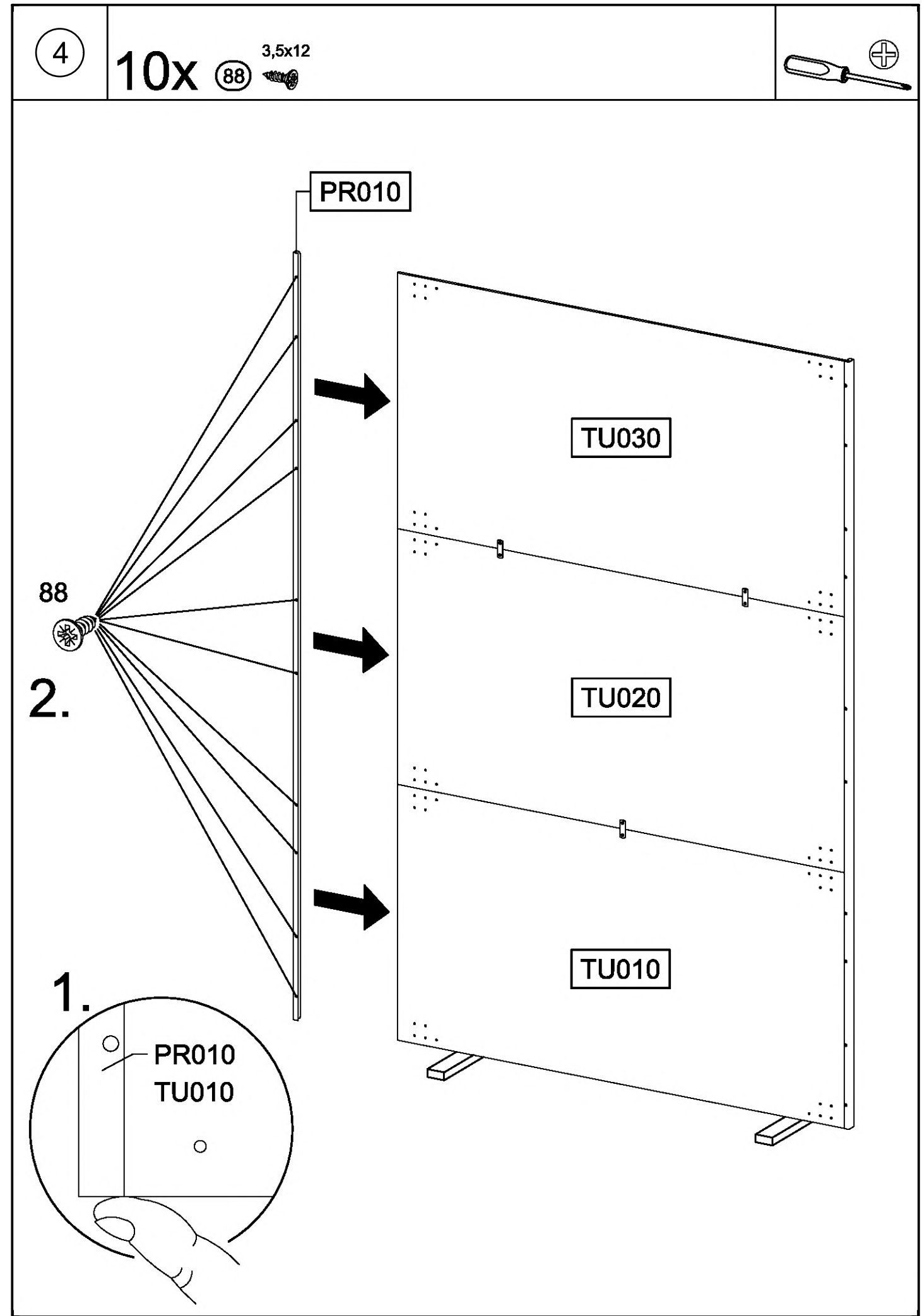
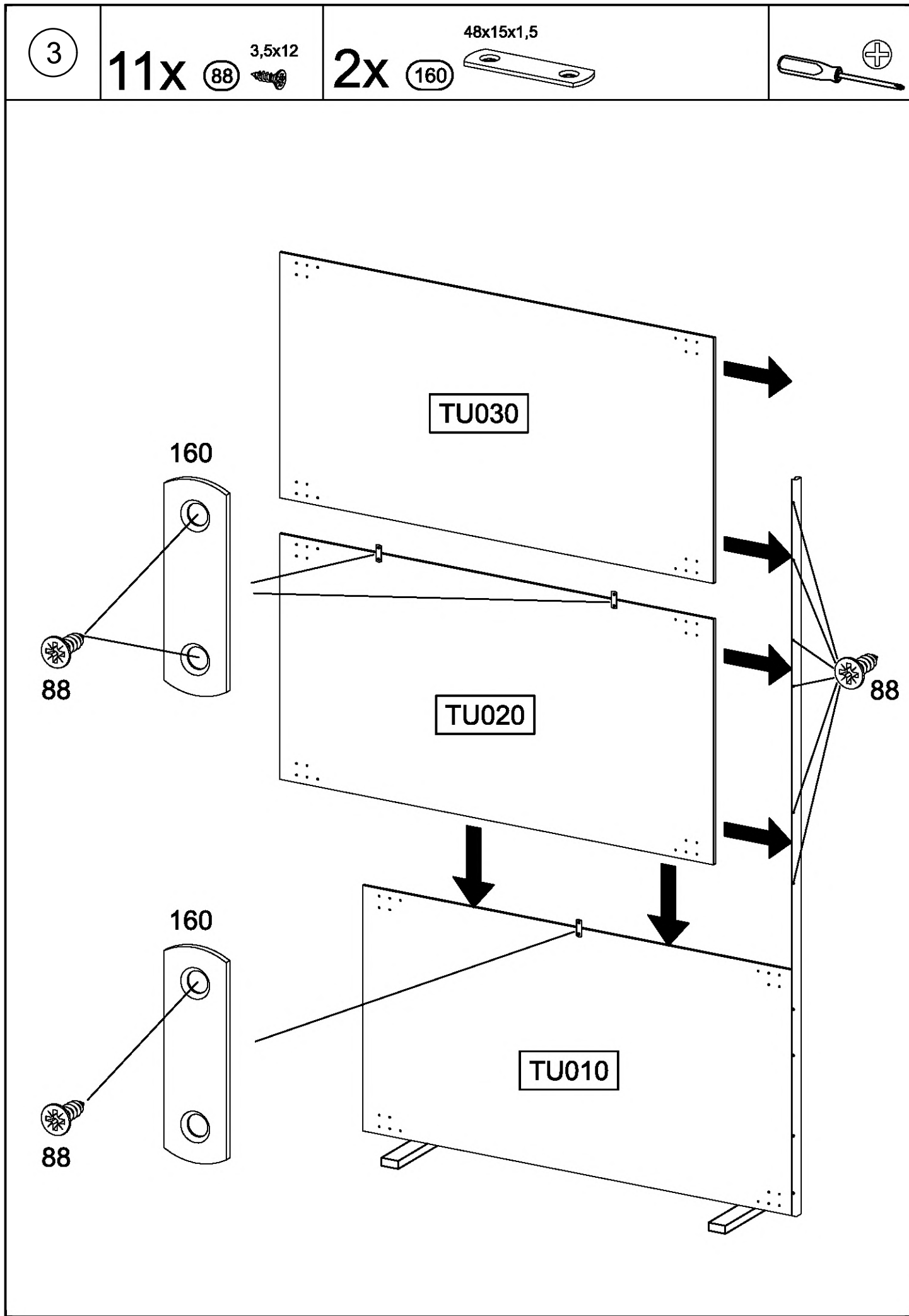
3.  

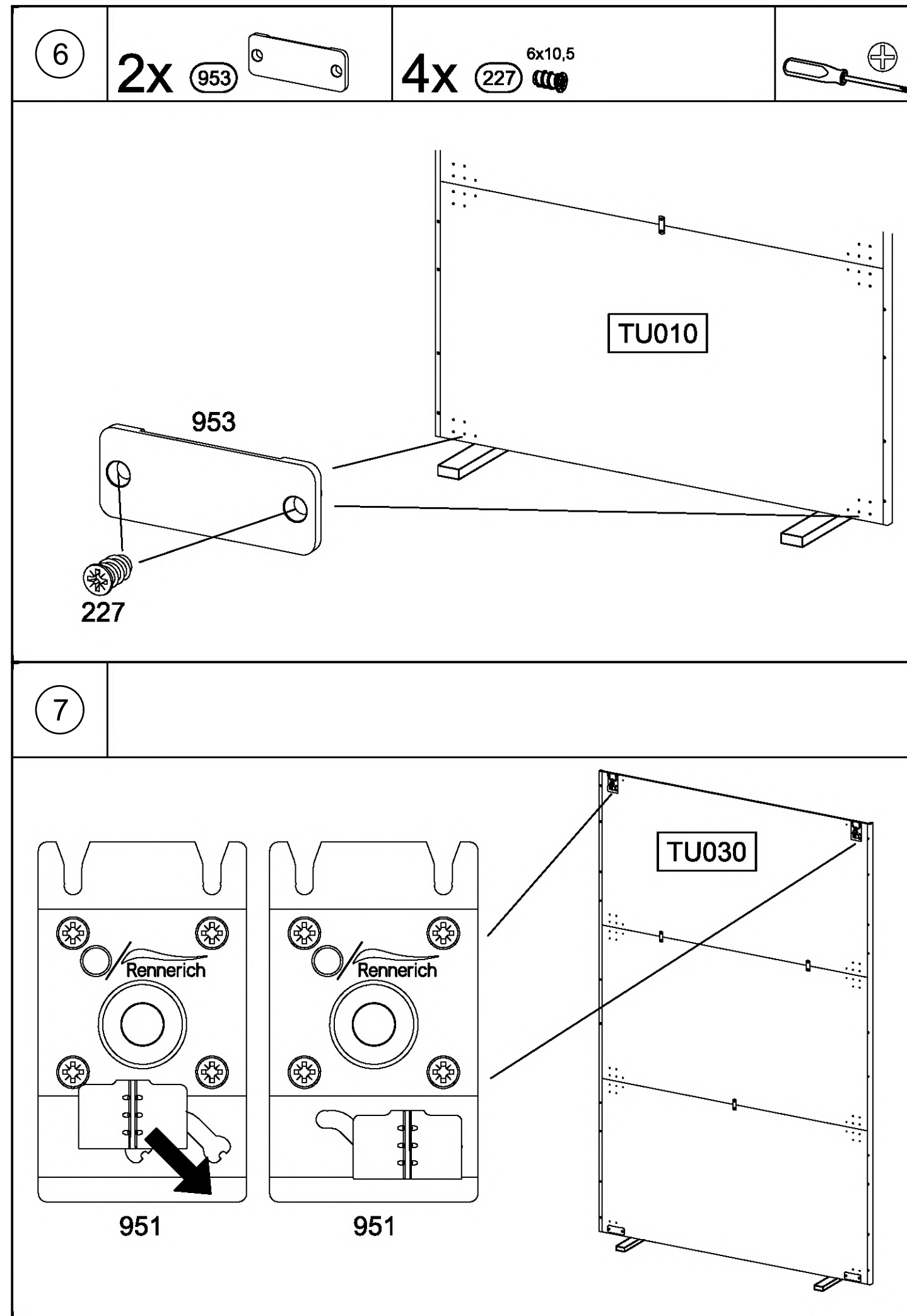
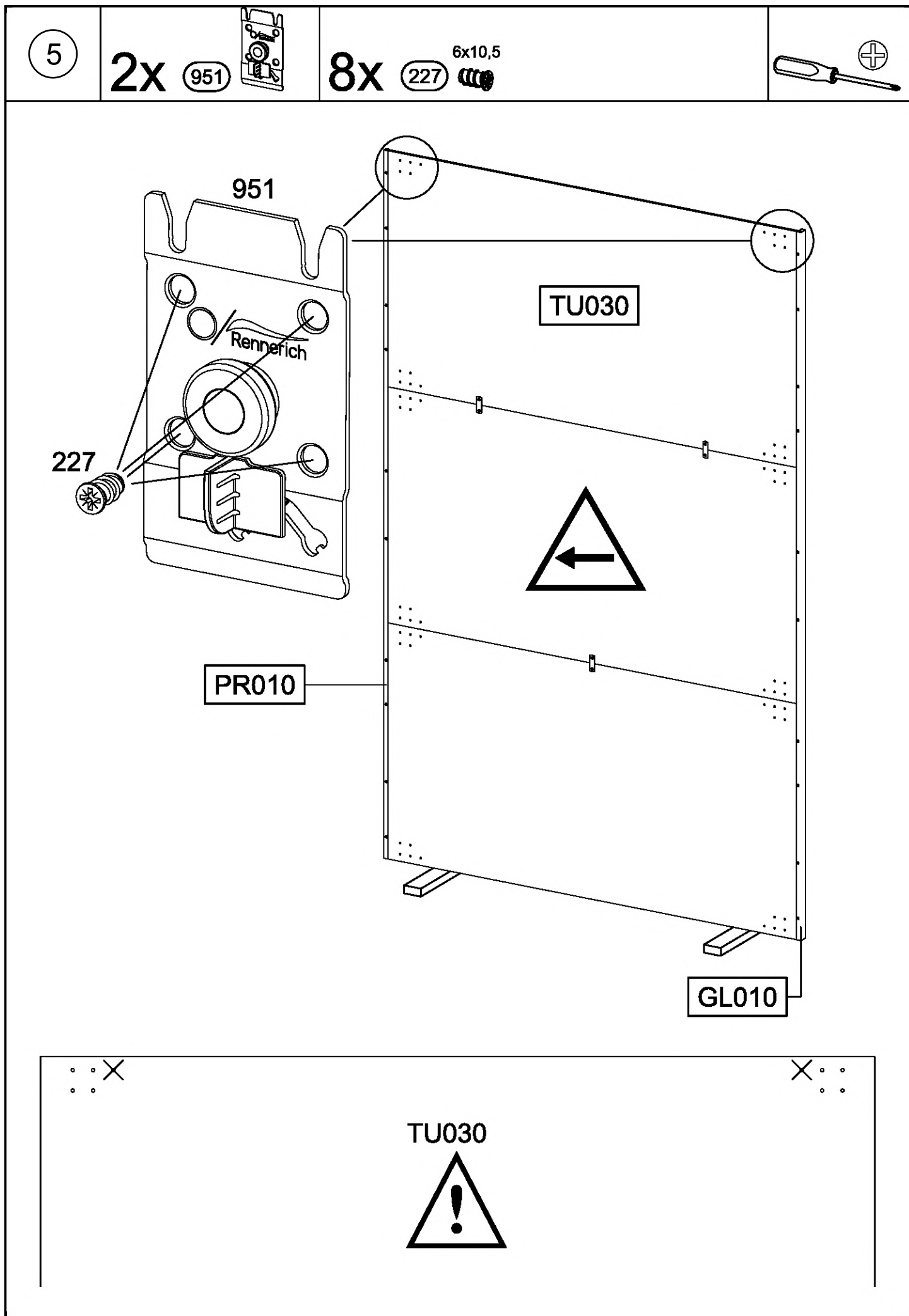
2 **1x** 88 3,5x12 **1x** 160 48x15x1,5  

160 Xmm Xmm 88 TU010

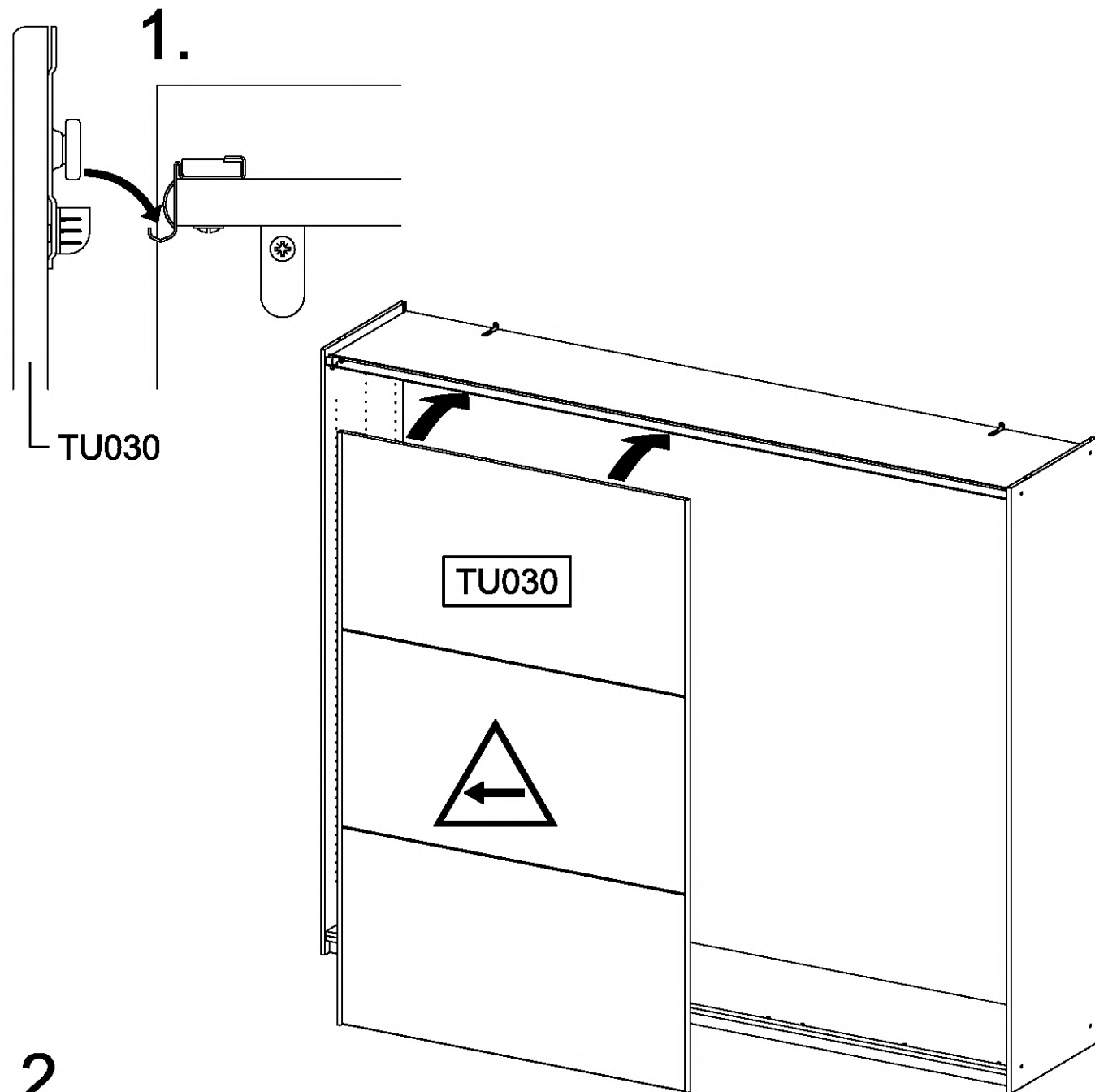
1/2 1/2 160 TU010 88



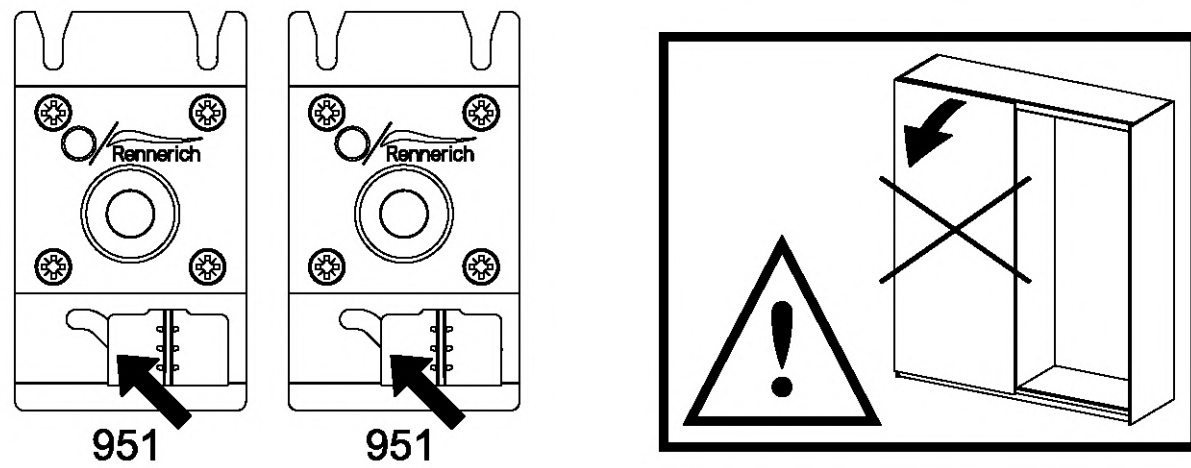




8

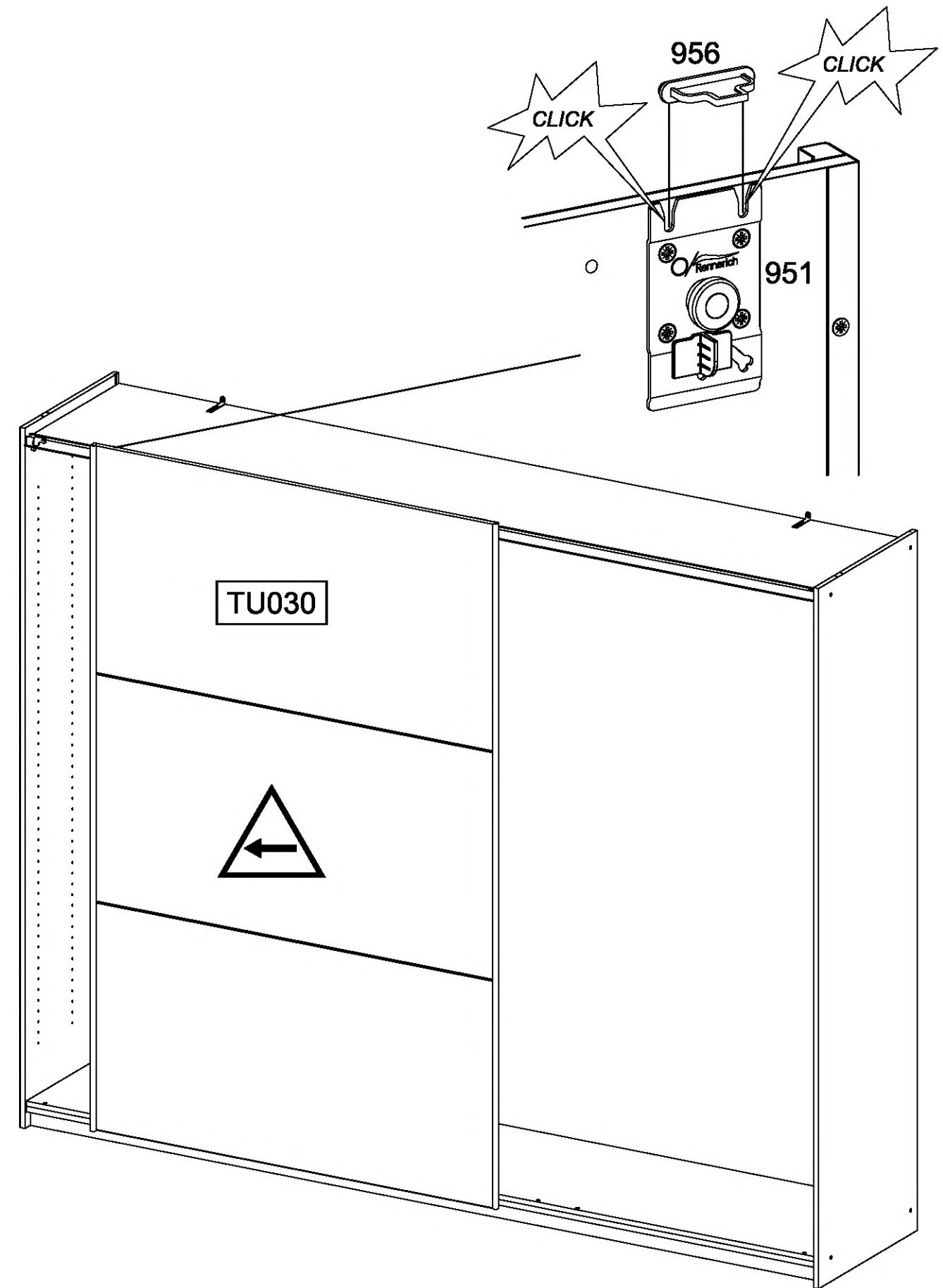
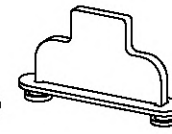


2.



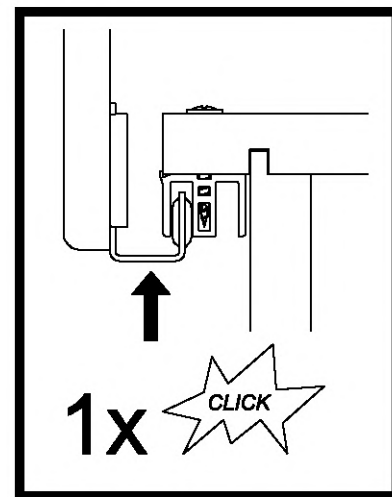
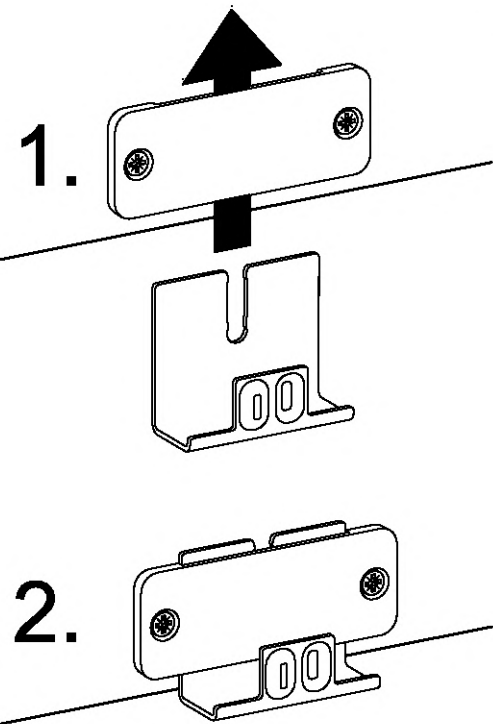
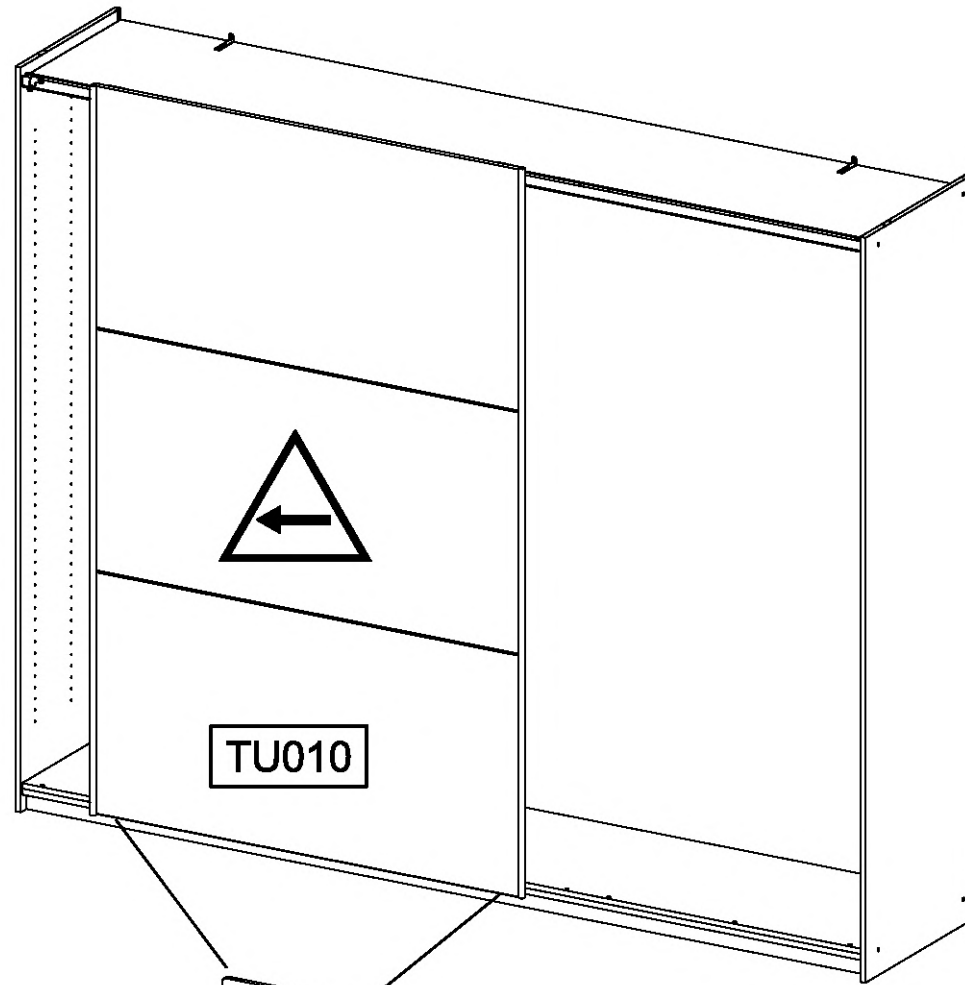
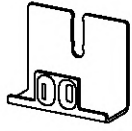
9

1x 956



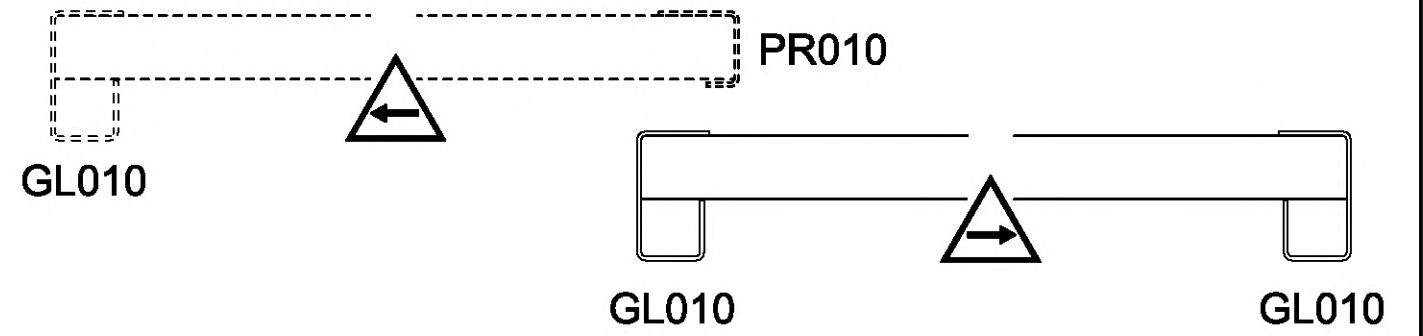
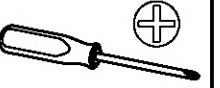
10

2x 954

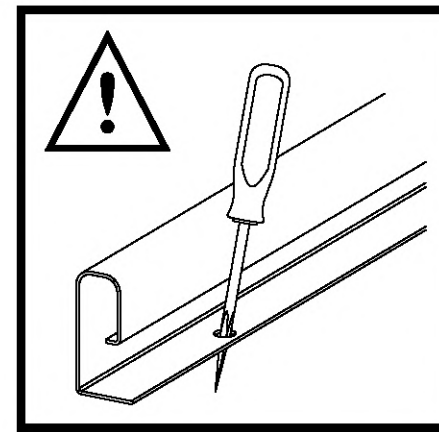


11

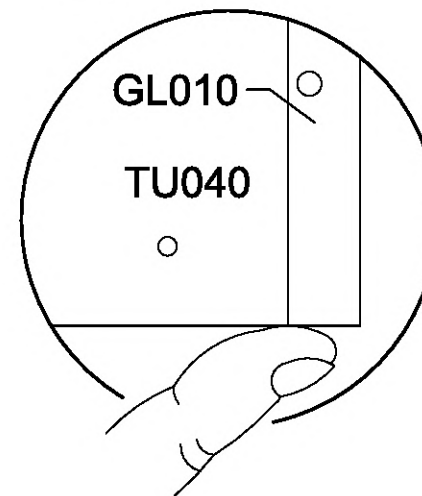
4x 88 3,5x12



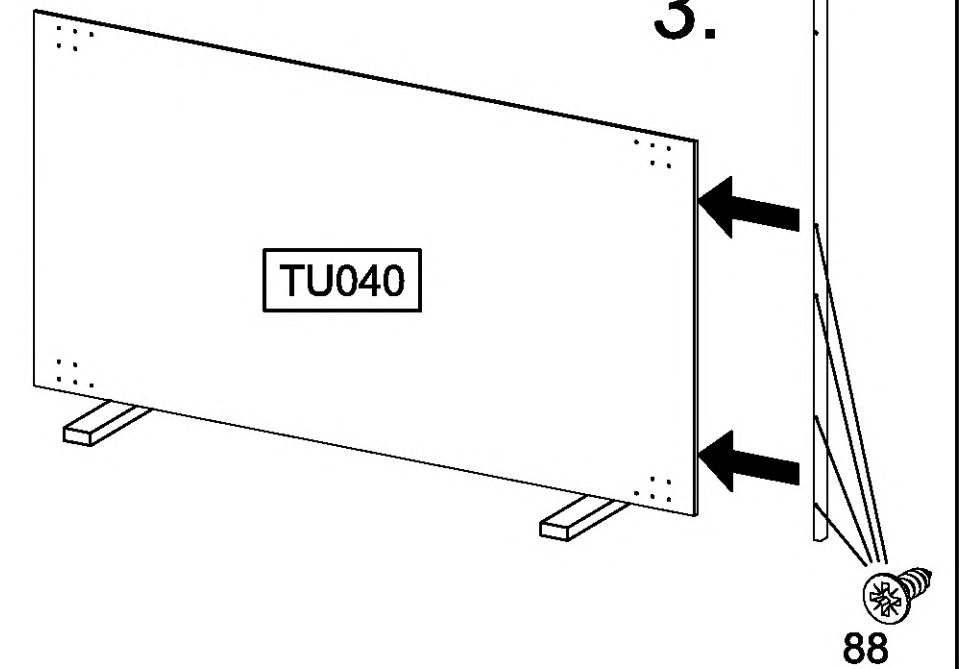
1.

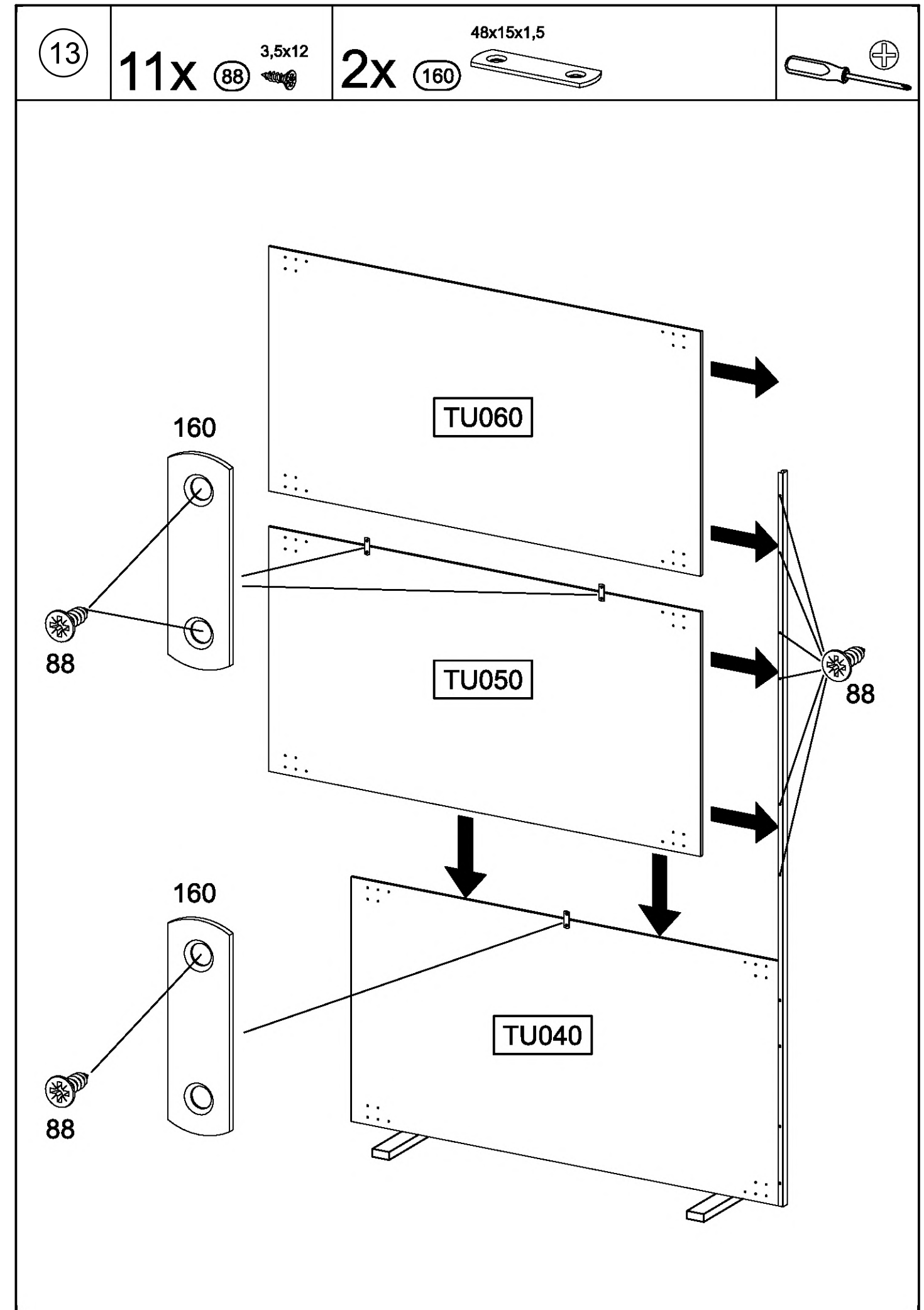
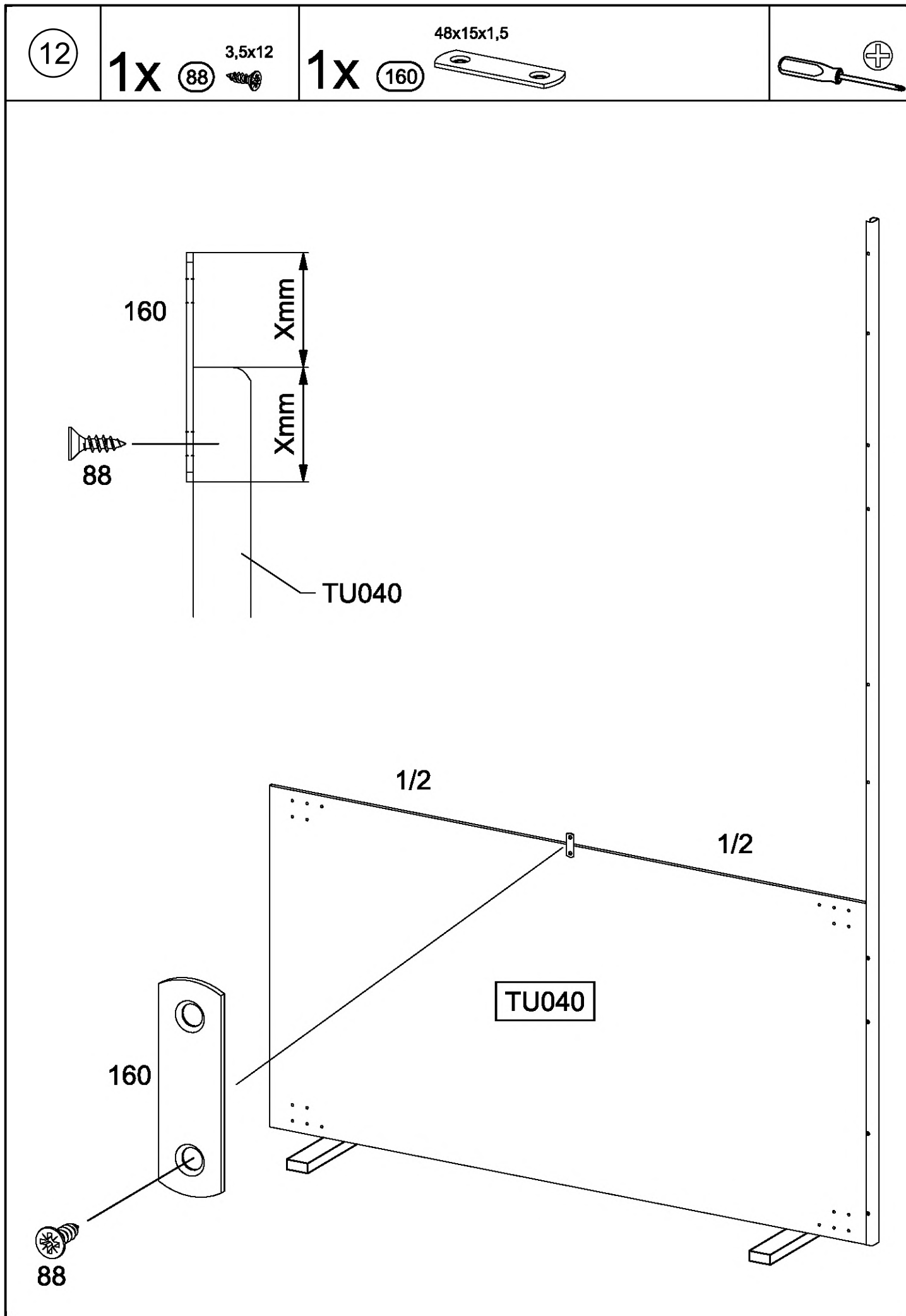


2.



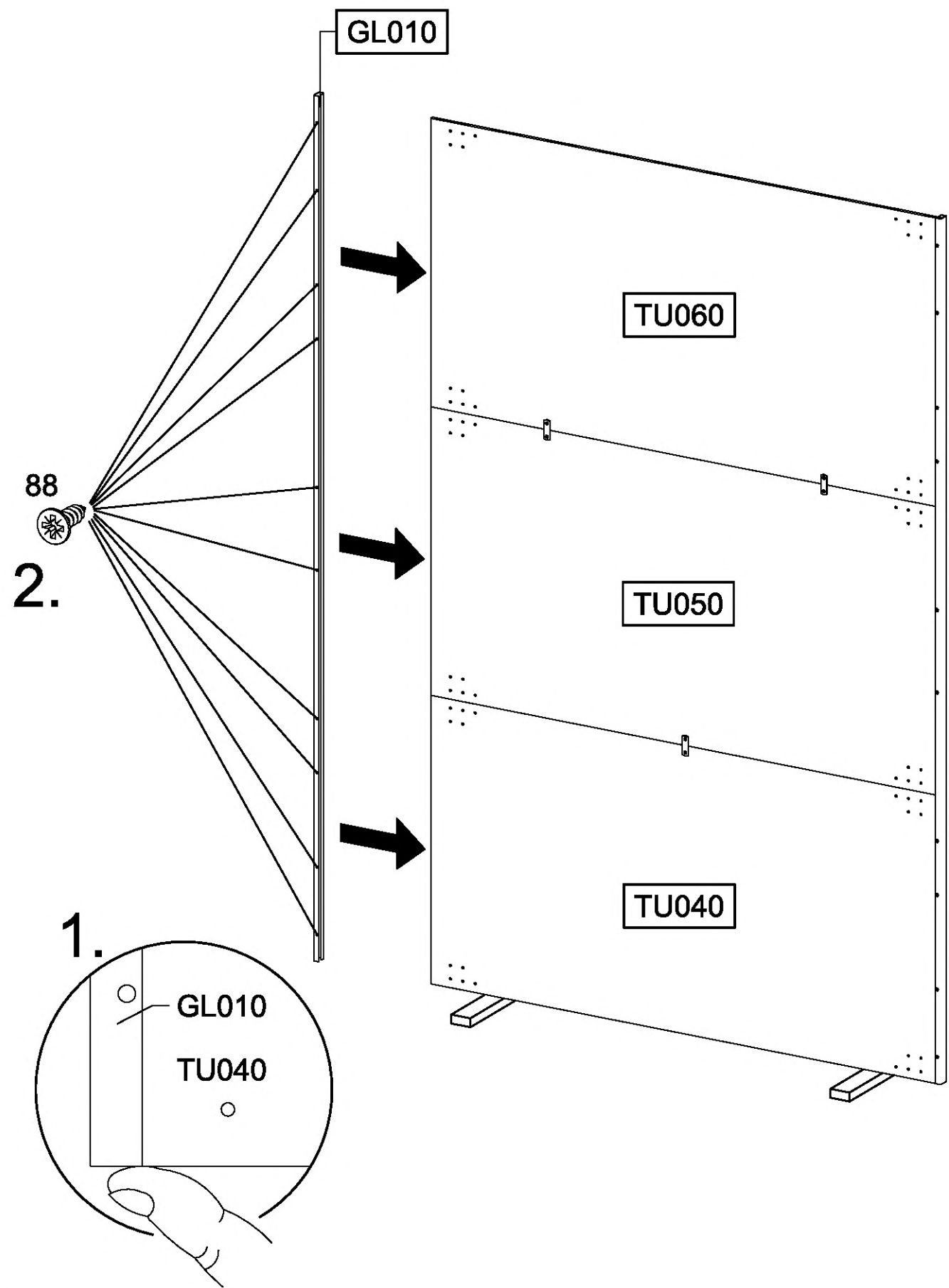
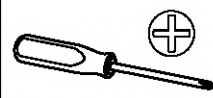
3.





14

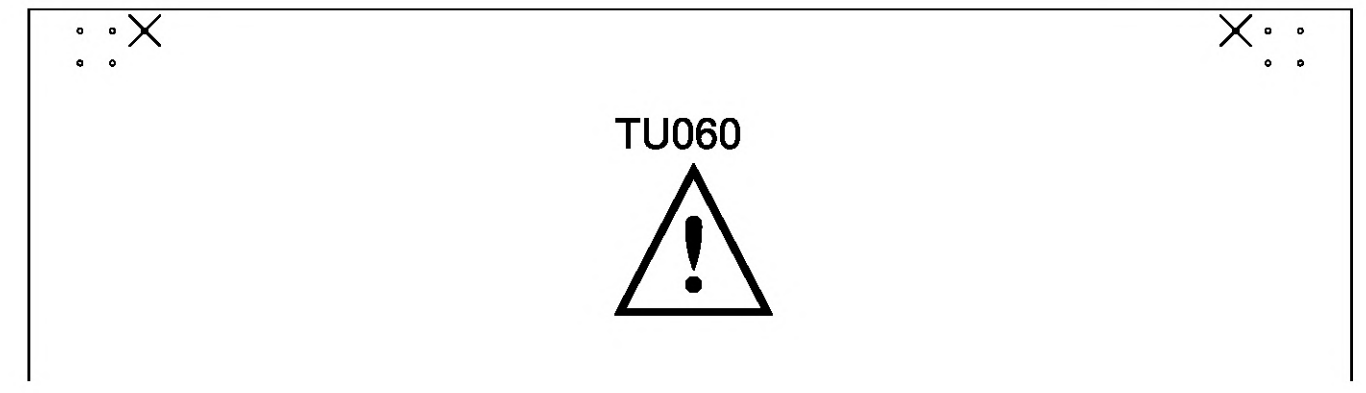
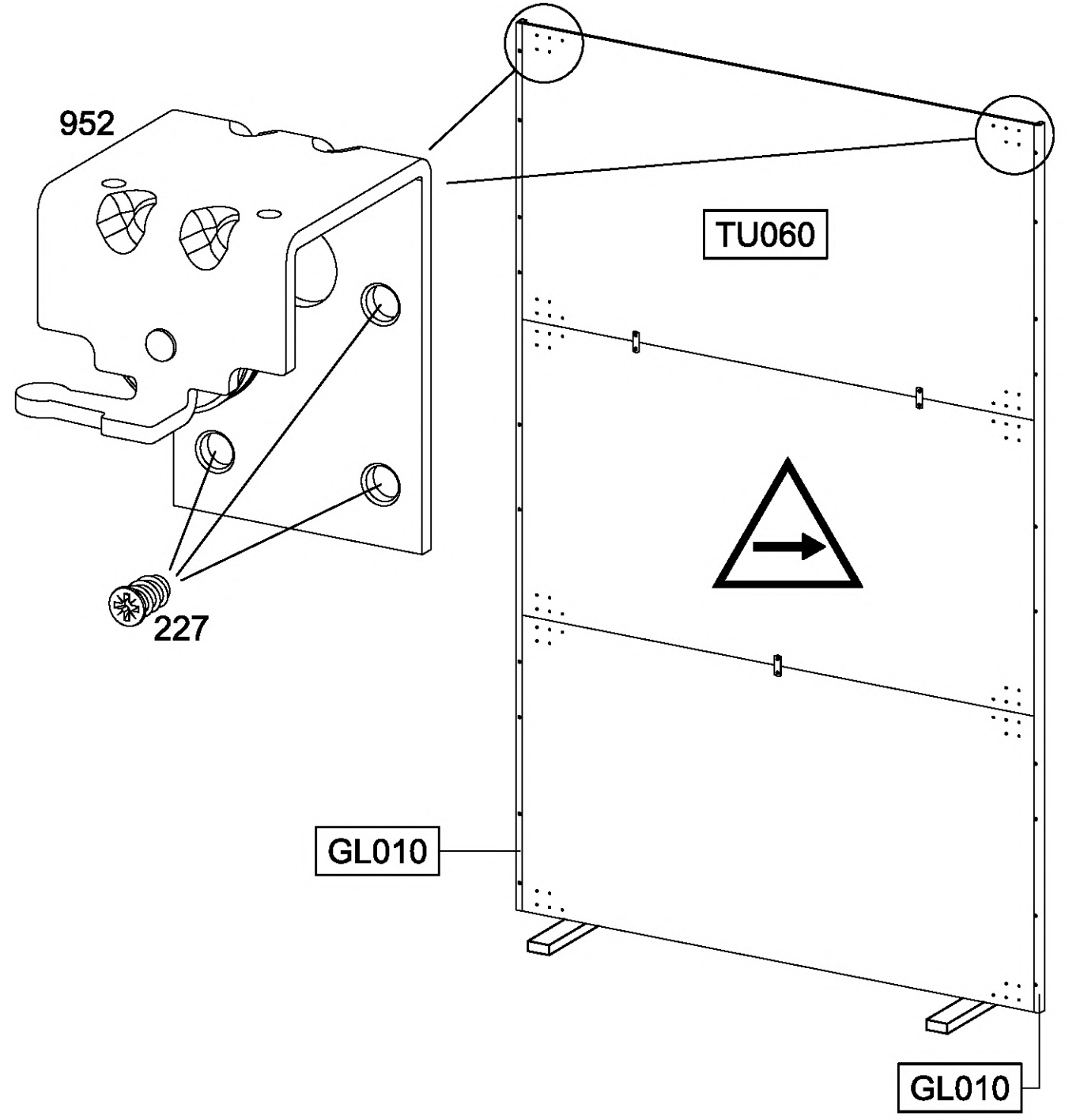
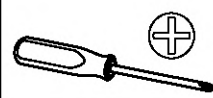
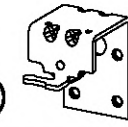
10x 88 3,5x12



15

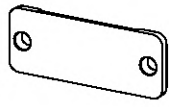
8x 227 6x10,5

2x 952

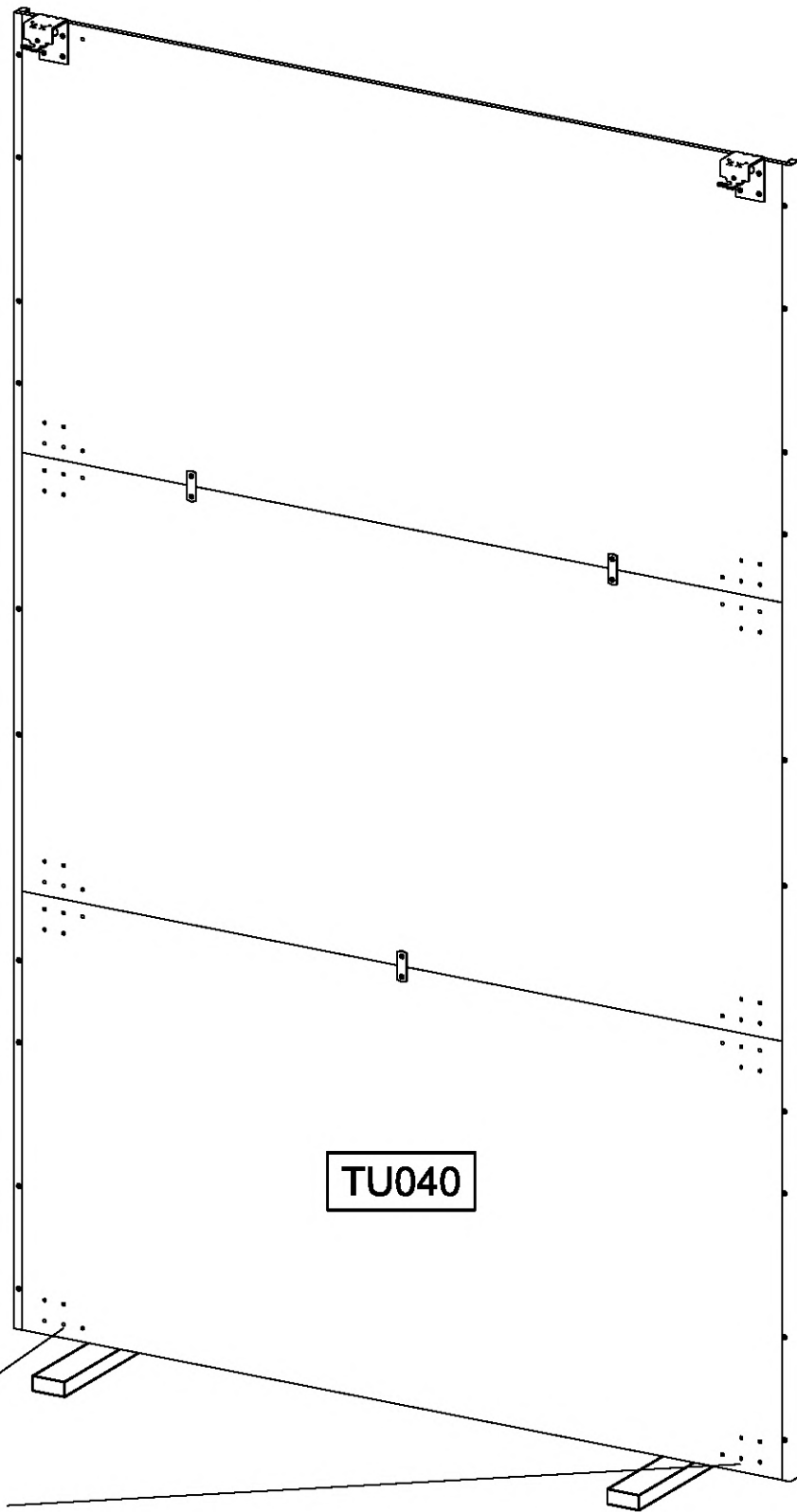
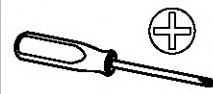
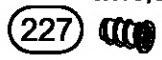


16

2x 953



4x 227 6x10,5

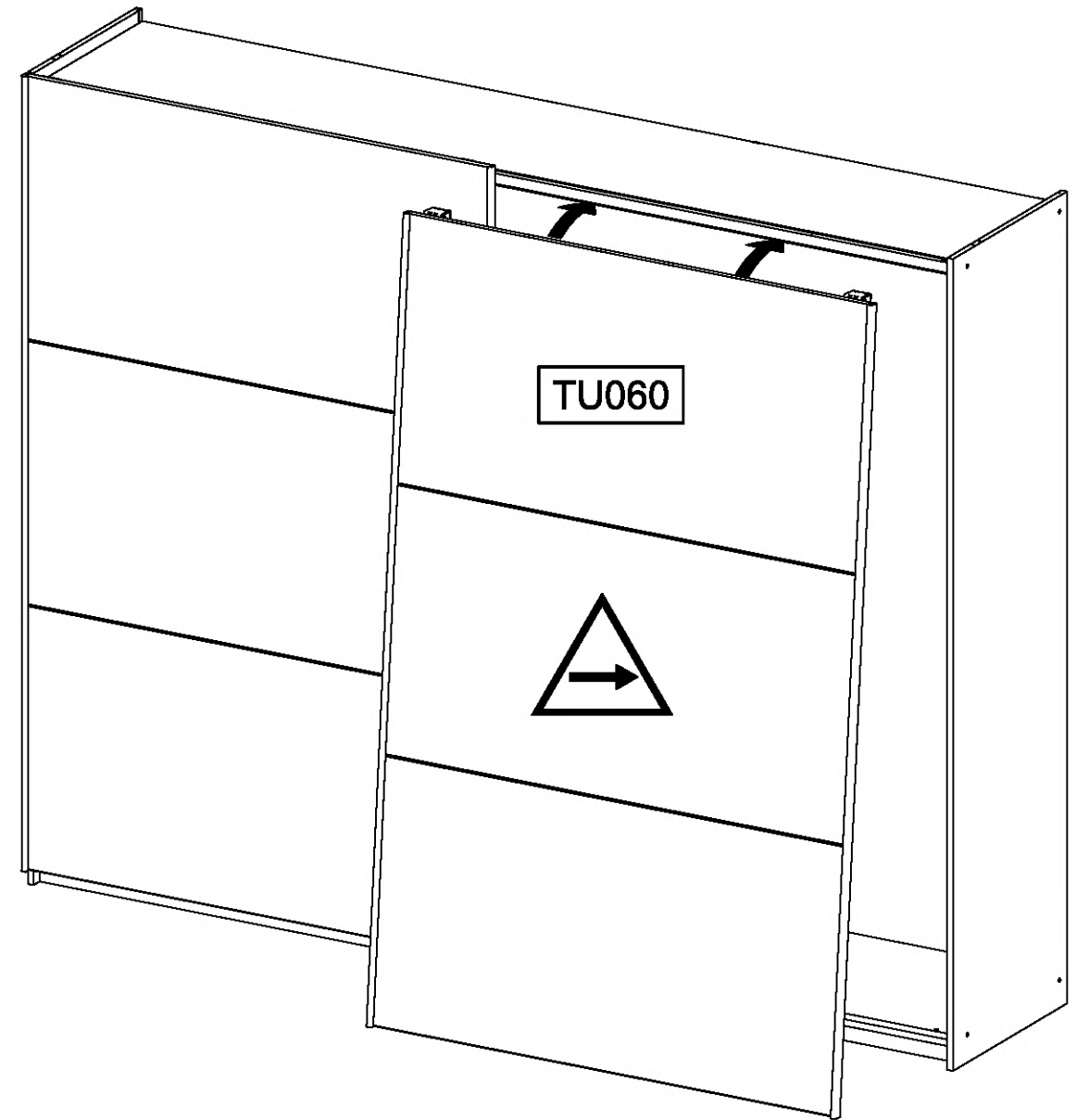


TU040

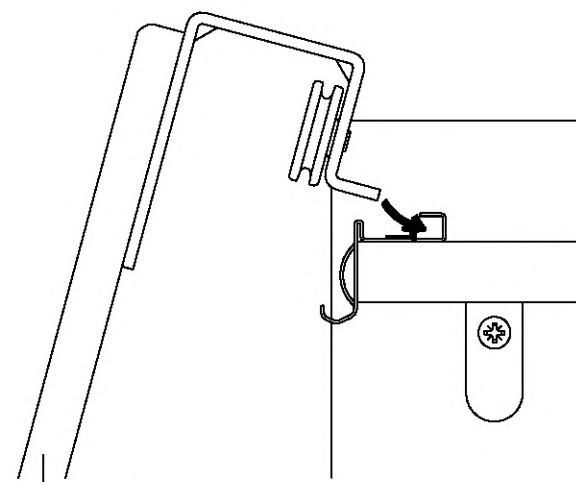
953

227

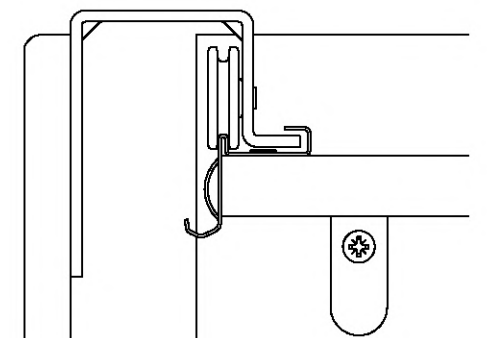
17



TU060



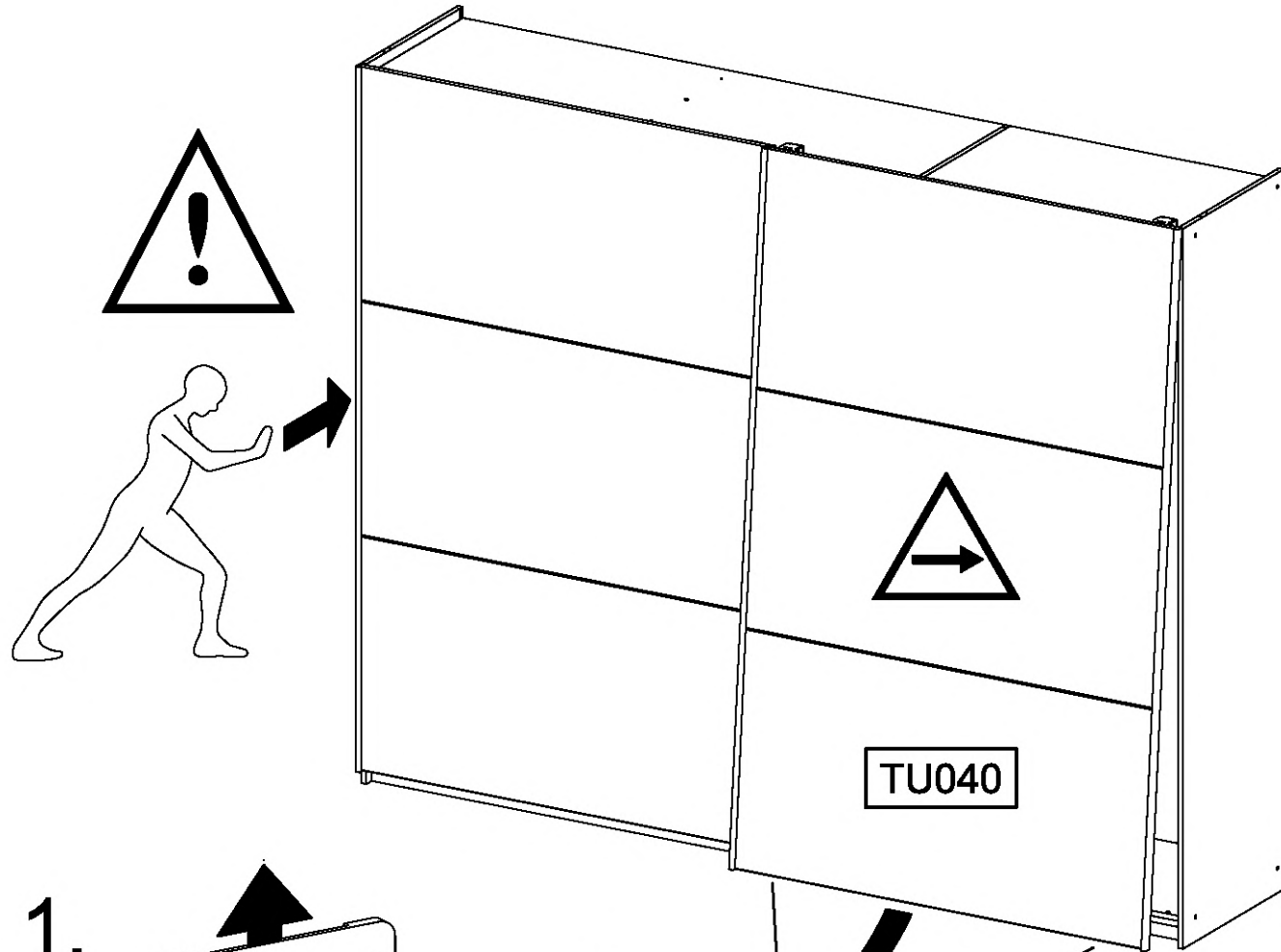
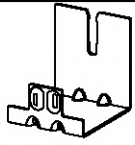
TU060



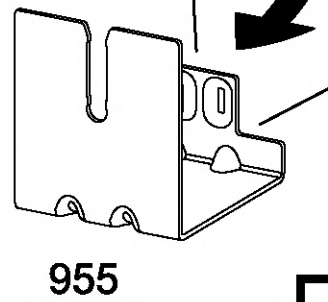
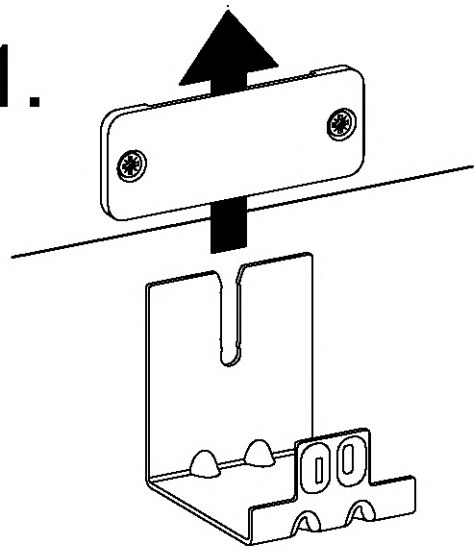
TU060

18

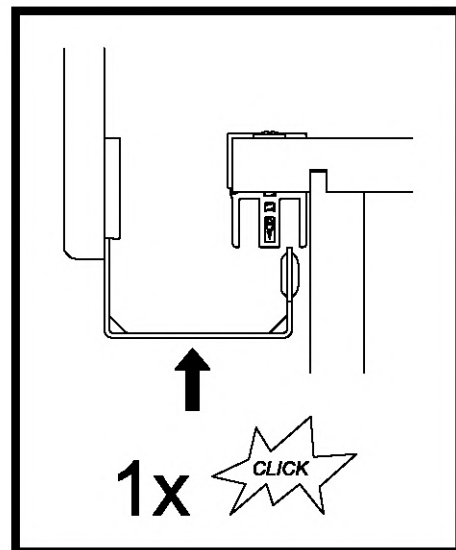
2x 955



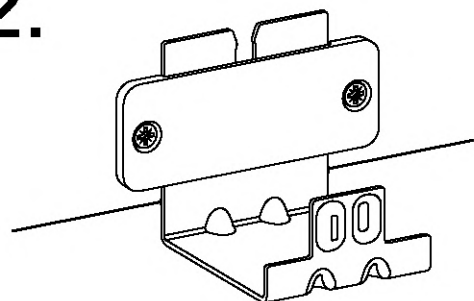
1.



955

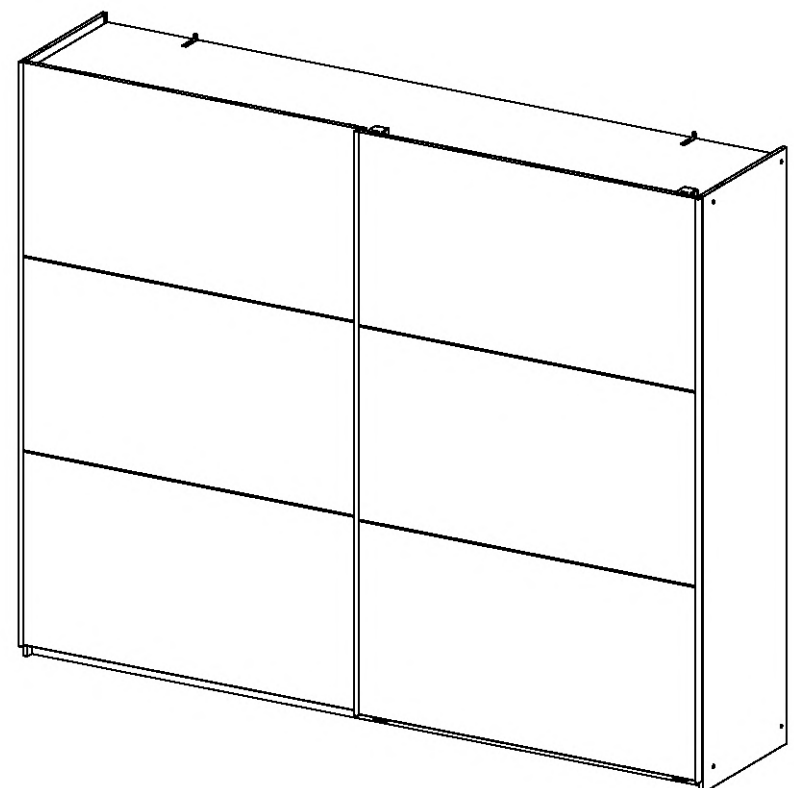
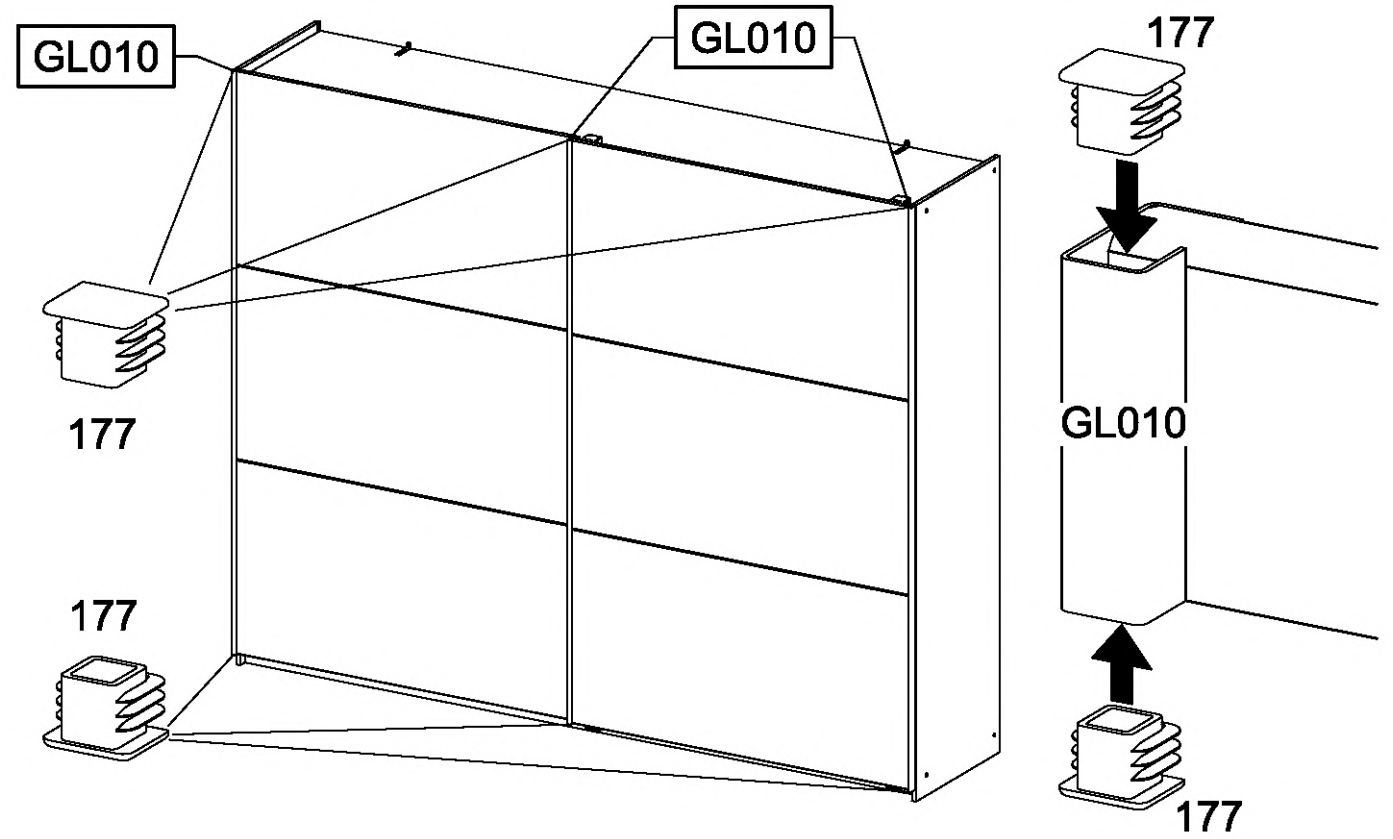


2.



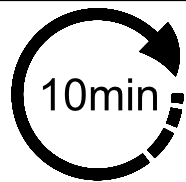
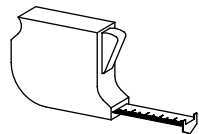
19

6x 177

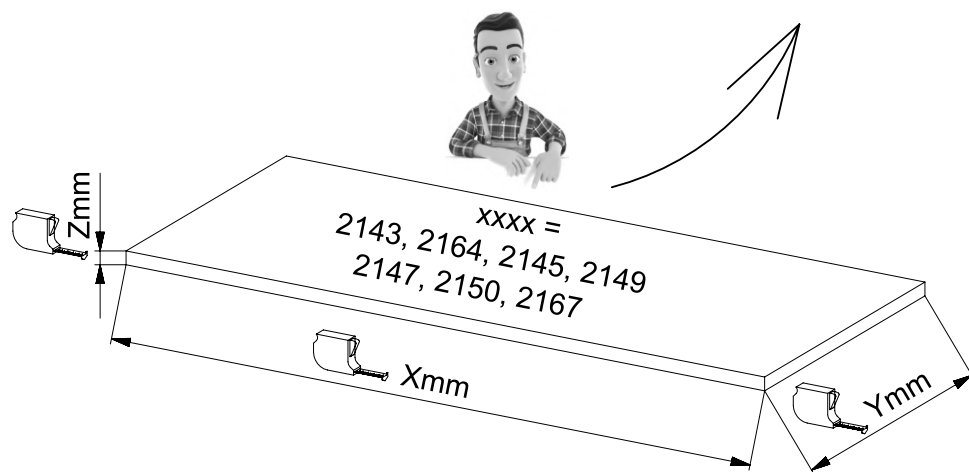





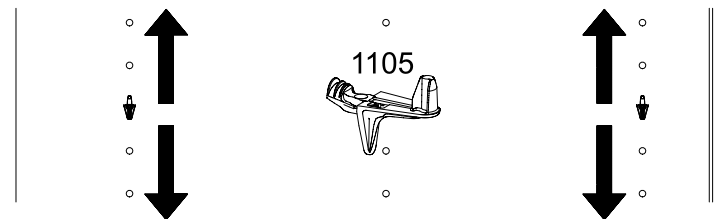
## MZ112\_05



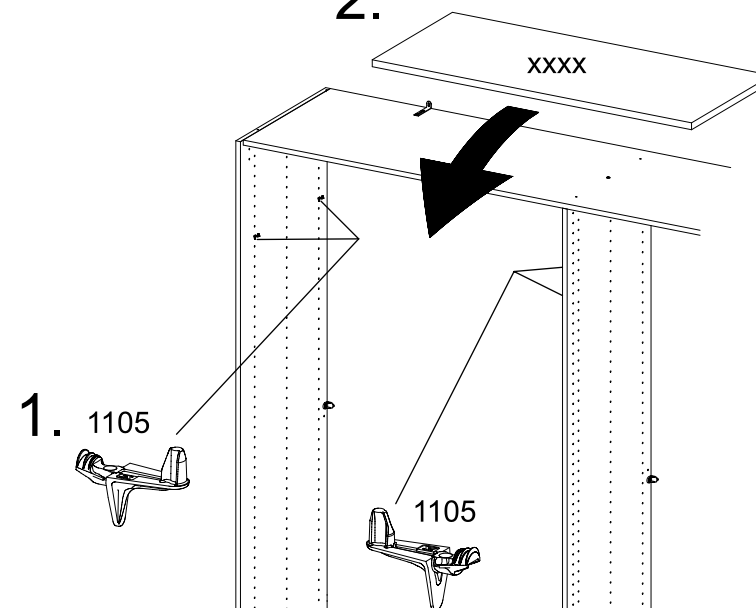
Xmm	Ymm	Zmm		XXXX
432mm	450mm	16mm	max. 10kg	2143
632mm	450mm	16mm	max. 10kg	2164
656mm	450mm	16mm	max. 10kg	2145
848mm	450mm	16mm	max. 10kg	2149
880mm	450mm	16mm	max. 10kg	2147
1064mm	450mm	22mm	max. 25kg	2150
848mm	395mm	16mm	max. 10kg	2167



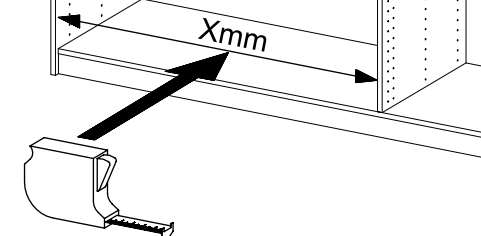
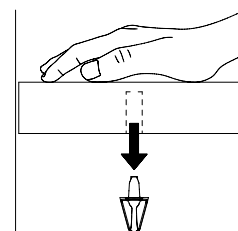
1

4x  1105

2.

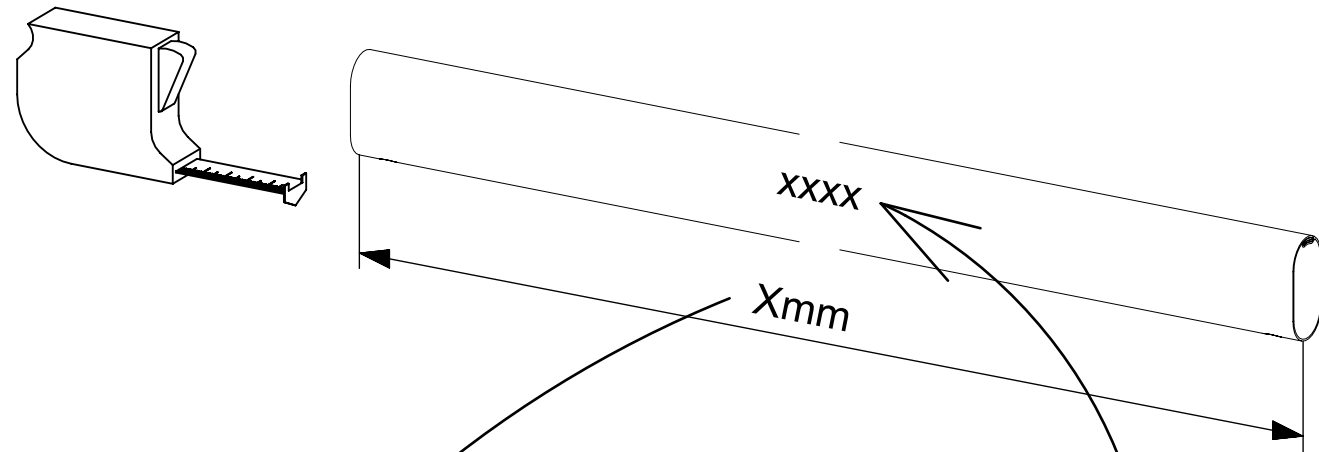
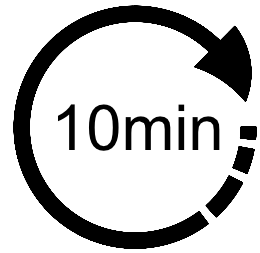
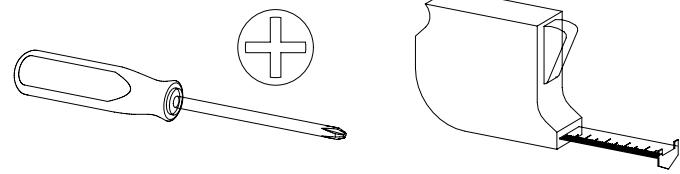


3.



MZ127\_02

rauch



Xmm			xxxx
625mm	max. 40kg		2009
841mm	max. 40kg		2005
1057mm	max. 40kg		2007



xxxx = 2009, 2005  
2007

1

2x 88 3,5x12

2x 279

