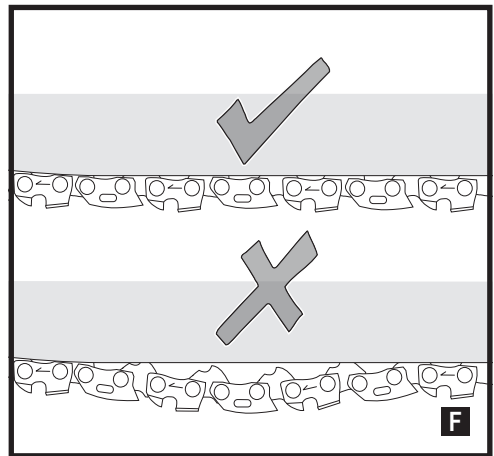
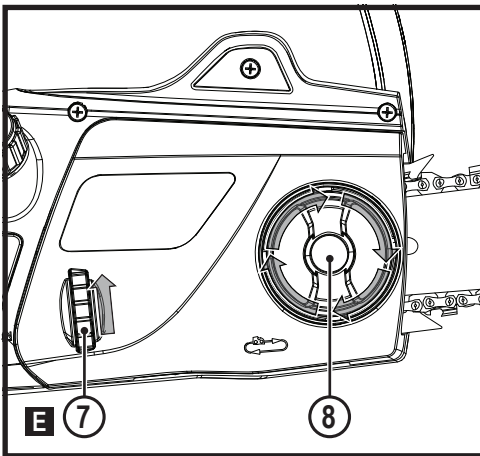
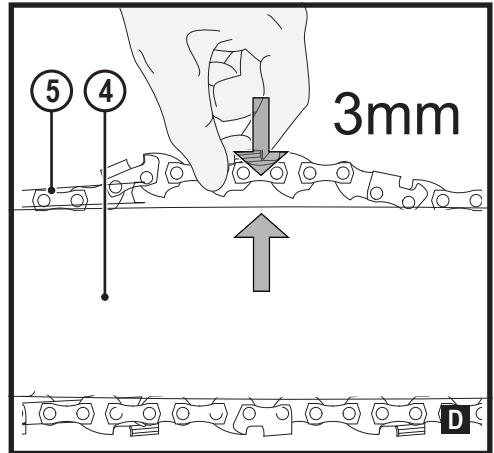
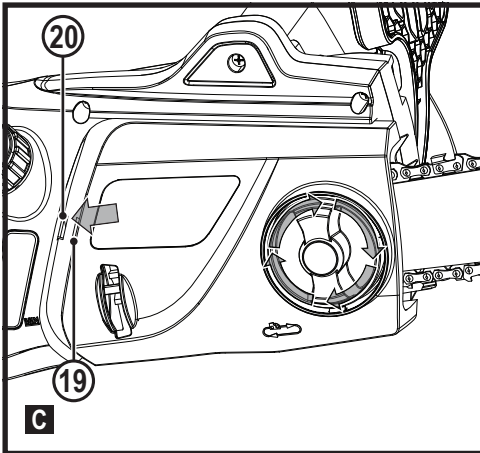
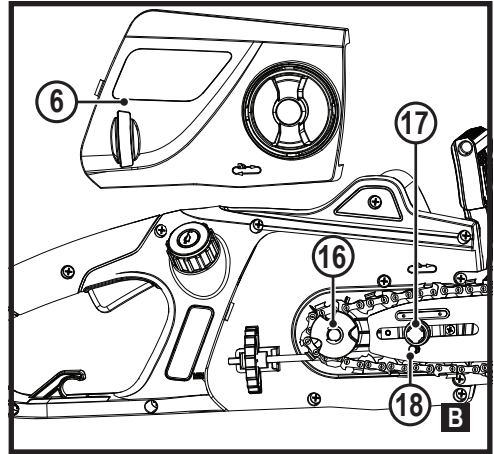
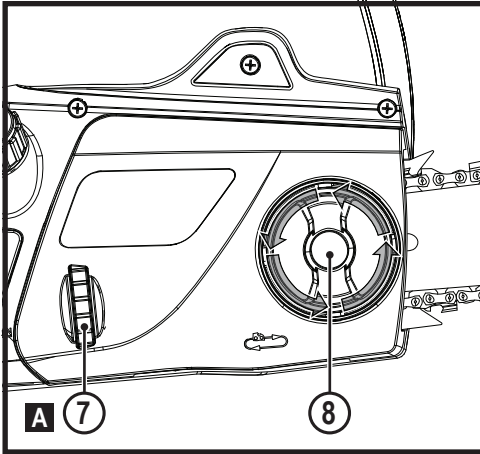
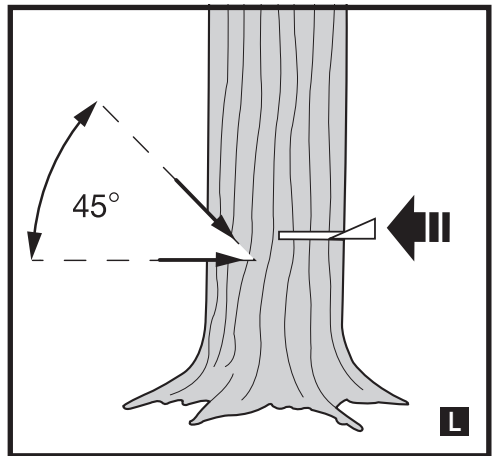
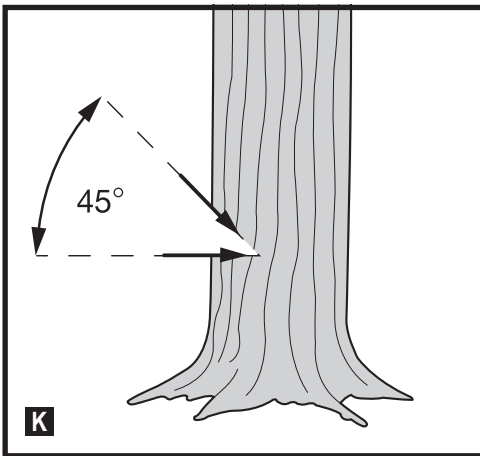
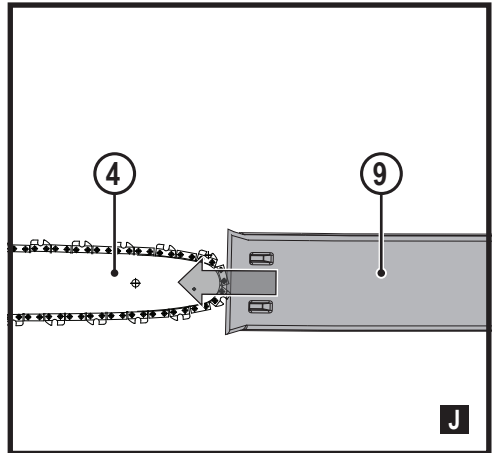
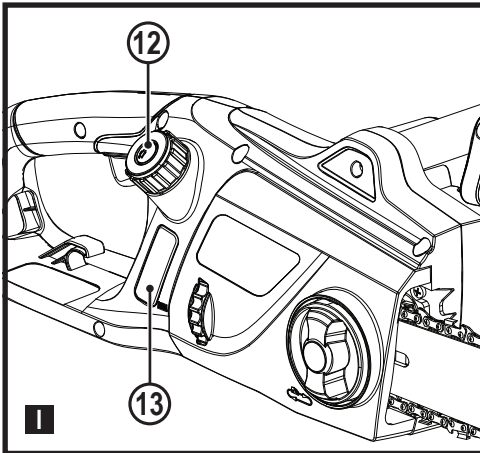
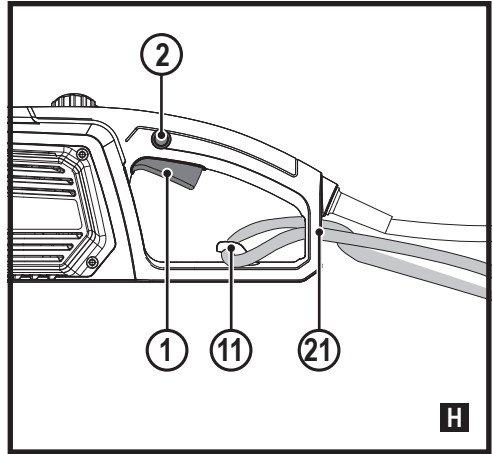
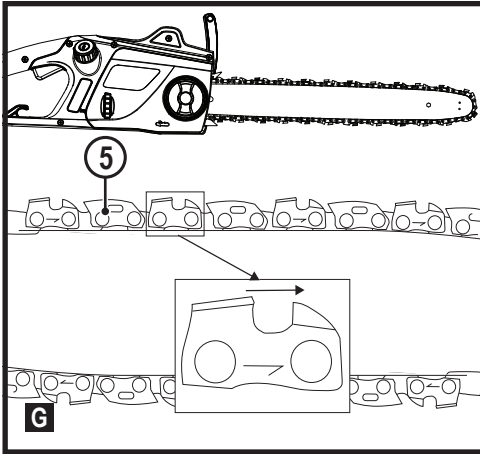


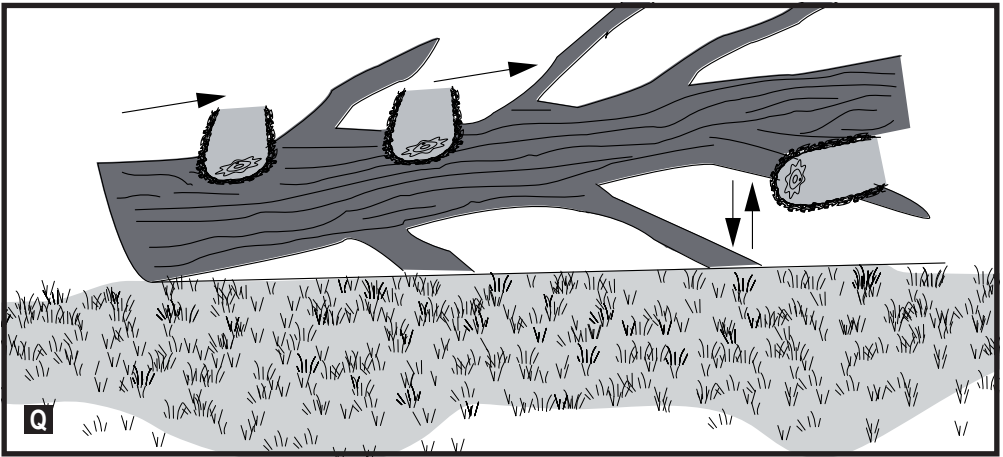
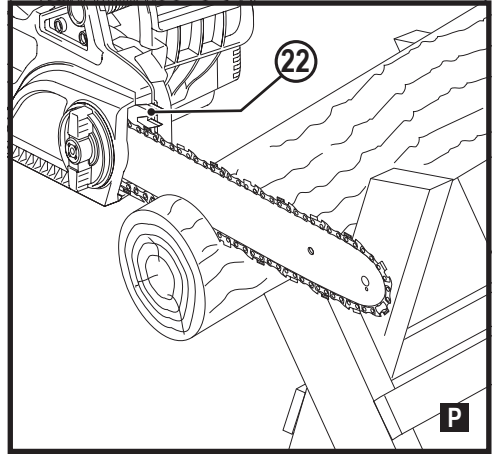
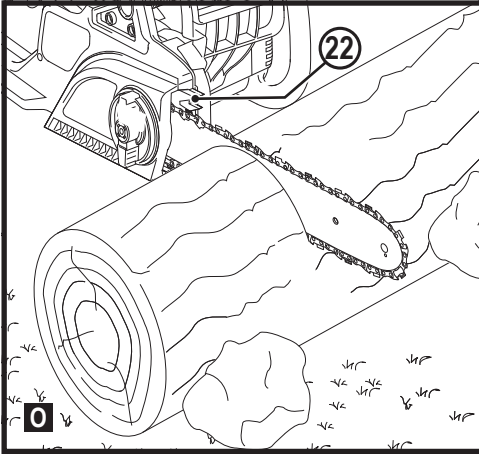
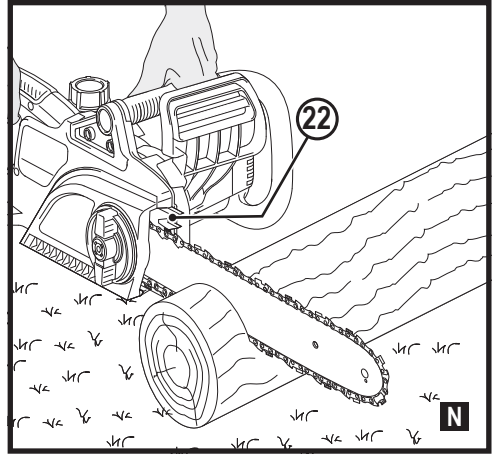
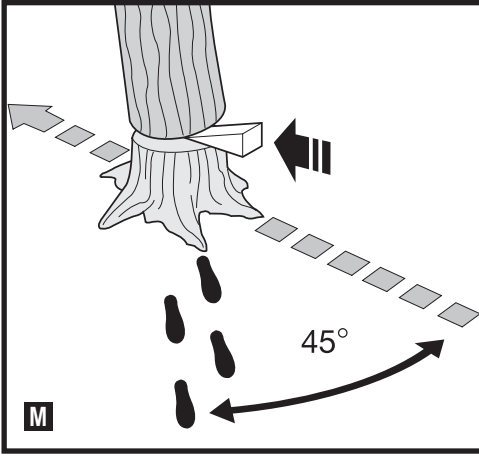
BECS1835
BECS2040
BECS2245

www.blackanddecker.co.uk

English (original instructions)	6
Deutsch (<i>übersetzt von den originalanweisungen</i>)	15
Français (<i>traduction de la notice d'instructions originale</i>)	27
Italiano (<i>tradotto dalle istruzioni originali</i>)	37
Nederlands (<i>vertaald vanuit de originele instructies</i>)	48
Español (<i>traducido de las instrucciones originales</i>)	59
Português (<i>traduzido das instruções originais</i>)	70
Svenska (<i>översatt från de ursprungliga instruktionerna</i>)	80
Norsk (<i>oversatt fra de originale instruksjonene</i>)	90
Dansk (<i>oversat fra original brugsvejledning</i>)	99
Suomi (<i>käännetty alkuperäisestä käyttöohjeesta</i>)	109
Ελληνικά (<i>μετάφραση από τις πρωτότυπες οδηγίες</i>)	118







Intended use

Your BLACK+DECKER™ BECS1835, BECS2040, BECS2245 Chainsaw has been designed for Felling trees and cutting logs. This tool is intended for consumer use only.

Safety instructions

General power tool safety warnings



Warning! Read all safety warnings, instructions, illustrations and specifications provided with power tool. Failure to follow all instructions listed below may result in electric shock, fire and/or serious injury.

Save all warnings and instructions for future reference.

The term "power tool" in all of the warnings listed below refers to your mains operated (corded) power tool or battery operated (cordless) power tool.

1. **Work area safety**
 - a. **Keep work area clean and well lit.** Cluttered or dark areas invite accidents.
 - b. **Do not operate power tools in explosive atmospheres, such as in the presence of flammable liquids, gases or dust.** Power tools create sparks which may ignite the dust or fumes.
 - c. **Keep children and bystanders away while operating a power tool.** Distractions can cause you to lose control.
2. **Electrical safety**
 - a. **Power tool plugs must match the outlet. Never modify the plug in any way. Do not use any adapter plugs with earthed (grounded) power tools.** Unmodified plugs and matching outlets will reduce risk of electric shock.
 - b. **Avoid body contact with earthed or grounded surfaces such as pipes, radiators, ranges and refrigerators.** There is an increased risk of electric shock if your body is earthed or grounded.
 - c. **Do not expose power tools to rain or wet conditions.** Water entering a power tool will increase the risk of electric shock.
 - d. **Do not abuse the cord. Never use the cord for carrying, pulling or unplugging the power tool. Keep cord away from heat, oil, sharp edges or moving parts.** Damaged or entangled cords increase the risk of electric shock.
 - e. **When operating a power tool outdoors, use an extension cord suitable for outdoor use.** Use of a cord suitable for outdoor use reduces the risk of electric shock.
 - f. **If operating a power tool in a damp location is unavoidable, use a residual current device (RCD) protected supply.** Use of an RCD reduces the risk of electric shock.
3. **Personal safety**
 - a. **Stay alert, watch what you are doing and use common sense when operating a power tool. Do not use a power tool while you are tired or under the influence of drugs, alcohol or medication.** A moment of inattention while operating power tools may result in serious personal injury.
 - b. **Use personal protective equipment. Always wear eye protection.** Protective equipment such as a dust mask, non-skid safety shoes, hard hat, or hearing protection used for appropriate conditions will reduce personal injuries.
 - c. **Prevent unintentional starting. Ensure the switch is in the off-position before connecting to power source and/or battery pack, picking up or carrying the tool.** Carrying power tools with your finger on the switch or energising power tools that have the switch on invites accidents.
 - d. **Remove any adjusting key or wrench before turning the power tool on.** A wrench or a key left attached to a rotating part of the power tool may result in personal injury.
 - e. **Do not overreach. Keep proper footing and balance at all times.** This enables better control of the power tool in unexpected situations.
 - f. **Dress properly. Do not wear loose clothing or jewellery. Keep your hair, clothing and gloves away from moving parts.** Loose clothes, jewellery or long hair can be caught in moving parts.
 - g. **If devices are provided for the connection of dust extraction and collection facilities, ensure these are connected and properly used.** Use of dust collection can reduce dust-related hazards.
 - h. **Do not let familiarity gained from frequent use of tools allow you to become complacent and ignore tool safety principles.** A careless action can cause severe injury within a fraction of a second.
4. **Power tool use and care**
 - a. **Do not force the power tool. Use the correct power tool for your application.** The correct power tool will do the job better and safer at the rate for which it was designed.
 - b. **Do not use the power tool if the switch does not turn it on and off.** Any power tool that cannot be controlled with the switch is dangerous and must be repaired.
 - c. **Disconnect the plug from the power source and/or the battery pack from the power tool before making any adjustments, changing accessories, or storing power tools.** Such preventive safety measures reduce the risk of starting the power tool accidentally.

- d. **Store idle power tools out of the reach of children and do not allow persons unfamiliar with the power tool or these instructions to operate the power tool.**

Power tools are dangerous in the hands of untrained users.

- e. **Maintain power tools. Check for misalignment or binding of moving parts, breakage of parts and any other condition that may affect the power tools operation. If damaged, have the power tool repaired before use.** Many accidents are caused by poorly maintained power tools.
- f. **Keep cutting tools sharp and clean.** Properly maintained cutting tools with sharp cutting edges are less likely to bind and are easier to control.
- g. **Use the power tool, accessories and tool bits etc. in accordance with these instructions, taking into account the working conditions and the work to be performed.** Use of the power tool for operations different from those intended could result in a hazardous situation.
- h. **Keep handles and grasping surfaces dry, clean and free from oil and grease.** Slippery handles and grasping surfaces do not allow for safe handling and control of the tool in unexpected situations.

5. Service

- a. **Have your power tool serviced by a qualified repair person using only identical replacement parts.** This will ensure that the safety of the power tool is maintained.

General saw chain saw safety warnings



Warning! Additional safety warnings for chainsaws

- ◆ **Keep all parts of the body away from the saw chain when the chainsaw is operating. Before you start the chainsaw, make sure the saw saw chain is not contacting anything.** A moment of inattention while operating chain saws may cause entanglement of your clothing or body with the chain saw.
- ◆ **Always hold the chainsaw with your right hand on the rear handle and your left hand on the front handle.** Holding the chainsaw with a reversed hand configuration increases the risk of personal injury and should never be done.
- ◆ **Hold the chain saw by insulated gripping surfaces only, because the saw chain may contact hidden wiring.** Saw chains contacting a "live" wire may make exposed metal parts of the chain saw "live" and could give the operator an electric shock.
- ◆ **Wear eye protection. Further protective equipment for hearing, head, hands, legs and feet is recommended.** Adequate protective equipment will reduce personal injury from flying debris or accidental contact with the saw chain.
- ◆ **Do not operate a chain saw in a tree, on a ladder, from a rooftop, or any unstable support.** Operation of a chain saw in this manner could result in serious personal injury.
- ◆ **Always keep proper footing and operate the chain saw only when standing on fixed, secure and level surface.** Slippery or unstable surfaces such as ladders may cause a loss of balance or control of the chainsaw.
- ◆ **When cutting a limb that is under tension be alert for spring back.** When the tension in the wood fibres is released the spring loaded limb may strike the operator and/or throw the chain saw out of control.
- ◆ **Use extreme caution when cutting brush and saplings.** The slender material may catch the saw chain and be whipped toward you or pull you off balance.
- ◆ **Carry the chain saw by the front handle with the chain saw switched off and away from your body. When transporting or storing the chainsaw always fit the guide bar cover.** Proper handling of the chain saw will reduce the likelihood of accidental contact with the moving saw chain.
- ◆ **Follow instructions for lubricating, saw chain tensioning and changing the bar and saw chain.** Improperly tensioned or lubricated saw chain may either break or increase the chance for kickback.
- ◆ **Cut wood only. Do not use chainsaw for purposes not intended. For example: do not use the chainsaw for cutting metal, plastic, masonry or non-wood building materials.** Use of the chainsaw for operations different than intended could result in a hazardous situation.
- ◆ **Do not attempt to fell a tree until you have an understanding of the risks and how to avoid them.** Serious injury could occur to the operator or bystanders while felling a tree.
- ◆ **Follow all instructions when clearing jammed material, storing or servicing the chain saw. Make sure the tool is disconnected from the power supply.** Unexpected actuation of the chain saw while clearing jammed material or servicing may result in serious personal injury.
- ◆ **Wear close fitting and protective clothing including a safety helmet with visor/goggles, ear protectors, non-skid safety footwear, protective bib trousers and strong leather gloves.**
- ◆ **Always position yourself out of the path of falling branches.**
- ◆ **The safe distance between a branch to be felled and bystanders, buildings and other objects is at least 2 1/2 times the length of the branch. Any bystander, building or object within this distance is at risk from being struck by the falling branch.**
- ◆ **Pre-plan a safe exit from falling branches. Ensure the exit route is clear of obstacles that would prevent or hinder movement. Remember wet grass and freshly cut bark is slippery.**

- ◆ Ensure someone is nearby (but at a safe distance) in case of an accident.
- ◆ Do not use the tool while standing in a tree, on a ladder or on any other unstable surface.
- ◆ Keep proper footing and balance at all times.
- ◆ Hold the tool firmly with both hands when the motor is running.
- ◆ Do not let the moving saw chain contact any object at the tip of the guide bar.
- ◆ Start cutting only with the saw chain moving at full speed.
- ◆ Do not attempt to enter a previous cut. Always make a fresh cut.
- ◆ Watch for shifting branches or other forces that could close a cut and pinch or fall into the saw chain.
- ◆ Do not attempt to cut a branch when the diameter of the branch exceeds the cutting length of the tool.
- ◆ Always place the saw chain cover assembly over the saw chain when storing or transporting the tool.
- ◆ Keep the saw chain sharp and properly tensioned. Check the tension at regular intervals.
- ◆ Switch the tool off, disconnect power supply, allow the saw chain to stop before carrying out any adjustment, servicing or maintenance.
- ◆ Only use genuine replacement parts and accessories.
- ◆ Keep handles dry, clean, and free from oil and grease. Greasy, oily handles are slippery causing loss of control.
- ◆ The spiked bumper may become sharp during the life of the product. Handle with care.
- ◆ When handling the product the saw chain bar may become hot, handle with care.

Causes and operator prevention of kickback

Kickback may occur when the nose or tip of the guide bar touches an object, or when the wood closes in and pinches the saw saw chain in the cut.

Tip contact in some cases may cause a sudden reverse reaction, kicking the guide bar up and back towards the operator.

Pinching the saw chain along the top of the guide bar may push the guide bar rapidly back towards the operator.

Either of these reactions may cause you to lose control of the chainsaw which could result in serious personal injury.

Do not rely exclusively upon the safety devices built into your chainsaw. As a chainsaw user, you should take several steps to keep your cutting jobs free from accident or injury.

Kickback is the result of tool misuse and / or incorrect operating procedures or conditions and can be avoided by taking proper precautions as given below:

- ◆ **Maintain a firm grip, with thumbs and fingers encircling the chainsaw handles. With both hands on the chainsaw, position your body and arm to allow you to resist kickback forces.** Kickback forces can be controlled by the operator, if proper precautions are taken. Do not let go of the chainsaw.

- ◆ **Do not overreach and do not cut above shoulder height.** This helps prevent unintended tip contact and enables better control of the chainsaw in unexpected situations.
- ◆ **Only use replacement guide bars and saw chains specified by the manufacturer.** Incorrect replacement guide bars and saw chains may cause saw chain breakage and/ or kickback.
- ◆ **Follow the manufacturer's sharpening and maintenance instructions for the saw chain.** Decreasing the depth gauge height can lead to increased kickback.

Safety recommendations for the chainsaw

- ◆ We strongly recommend that first time users obtain practical instruction in the use of the chainsaw and protective equipment from an experienced user. Initial practice should be completed sawing logs on a saw horse or cradle.
- ◆ We recommend that when carrying the chainsaw that you make sure that the saw chain is facing backwards.
- ◆ Maintain your chainsaw when not in use. Do not store your chainsaw for any length of time without first removing the saw chain and guide bar which should be kept immersed in oil. Store all parts of your chainsaw in a dry, secure place out of reach of children.
- ◆ Always position the cord so that it will not be caught on branches and the like during cutting
- ◆ We recommend you drain the oil reservoir prior to storage.
- ◆ Be sure of your footing and pre-plan a safe exit from a falling tree or branches.
- ◆ Use wedges to help control felling and prevent binding the guide bar and saw chain in the cut.
- ◆ Saw chain care. Keep the saw chain sharp and snug on the guide bar. Ensure the saw chain and guide bar are clean and well oiled. Keep handles dry, clean and free from oil and grease.

Kickback can be caused by:

- ◆ Striking branches or other objects accidentally with a tip of the saw while the saw chain is moving.
- ◆ Striking metal, cement or any other hard material near the wood, or buried in the wood.
- ◆ A dull or loose saw chain.
- ◆ Cutting above shoulder height.
- ◆ Lack of attention when holding or guiding the chainsaw while cutting.
- ◆ Over-reaching. Keep proper footing and balance at all times and do not overreach.
- ◆ Do not try to insert into a previous cut. As this could cause kickback. Make a fresh cut every time.
- ◆ We strongly recommend you do not attempt to operate your chainsaw while in a tree, on a ladder or on any other unstable surface.

If you decide to do so, be advised that these positions are extremely dangerous.

- ◆ When cutting a branch that is under tension, be alert for spring back so that you will not be struck when the tension is released.

Avoid cutting:

- ◆ Prepared timber.
- ◆ Into the ground.
- ◆ Into wire fences, nails, etc.
- ◆ Into small sized brush and saplings because slender material may catch the saw chain and be whipped towards you, or pull you off balance.
- ◆ Do not use your chainsaw above shoulder height.
- ◆ Ensure someone is nearby (but at a safe distance) in case of an accident.
- ◆ If for any reason you have to touch the saw chain, make sure your chainsaw is disconnected from the mains.
- ◆ The noise from this product can exceed 80 dB(A). We therefore recommend you take appropriate measures for the protection of hearing.

Residual risks

Additional residual risks may arise when using the tool which may not be included in the enclosed safety warnings. These risks can arise from misuse, prolonged use etc.

Even with the application of the relevant safety regulations and the implementation of safety devices, certain residual risks can not be avoided. These include:

- ◆ Injuries caused by touching any rotating/moving parts.
- ◆ Injuries caused when changing any parts, blades or accessories.
- ◆ Injuries caused by prolonged use of a tool. When using any tool for prolonged periods ensure you take regular breaks.
- ◆ Impairment of hearing.
- ◆ Health hazards caused by breathing dust developed when using your tool (example:- working with wood, especially oak, beech and MDF.)

Vibration

The declared vibration emission values and the declared noise emission value(s) stated in the technical data and the declaration of conformity have been measured in accordance with a standard test method provided by EN 62841 and may be used for comparing one tool with another. The declared vibration emission value and the declared noise emission value(s) may also be used in a preliminary assessment of exposure.

Warning! The vibration and noise emission value during actual use of the power tool can differ from the declared value depending on the ways in which the tool is used. The vibration level may increase above the level stated.

When assessing vibration exposure to determine safety measures required by 2002/44/EC to protect persons regularly using power tools in employment, an estimation of vibration exposure should consider, the actual conditions of use and the way the tool is used, including taking account of all parts of the operating cycle such as the times when the tool is switched off and when it is running idle in addition to the trigger time.

Labels on tool

The following pictograms are shown on the tool along with the date code:



Warning! To reduce the risk of injury, the user must read the instruction manual.



Do not use your saw in wet conditions or expose it to rain.



Always wear head, hearing and eye protection.



Always wear gloves.



Always wear non-slip safety footwear.



Always hold a chainsaw firmly with both hands.



Do not use chainsaw one handed.



Pay attention to the kickback of the chainsaw and avoid contact with the tip of the saw chain bar.



Beware of falling objects. Keep bystanders away



Warning! Do not touch saw chain at the chipping ejection point



Direction of rotation of the saw chain.



Immediately disconnect the cable from the mains if it is damaged or cut.



Directive 2000/14/EC guaranteed sound power.



Directive 2000/14/EC guaranteed sound power.



Directive 2000/14/EC guaranteed sound power.

Electrical safety



This tool is double insulated; therefore no earth wire is required. Always check that the power supply corresponds to the voltage on the rating plate.

- ◆ If the supply cord is damaged, it must be replaced by the manufacturer or an authorised BLACK+DECKER Service Centre in order to avoid a hazard.

Using an extension cable

- ◆ Always use an approved extension cable suitable for the power input of this tool (see technical data). The extension cable must be suitable for outdoor use and marked accordingly. Up to 30 m of H07RN-F 2 X 1.5 mm² extension cable can be used without loss of product performance. Before use, inspect the extension cable for signs of damage, wear and ageing. Replace the extension cable if damaged or defective. When using a cable reel, always unwind the cable completely.

Voltage drops

- ◆ Under certain power supply conditions this product may cause short-time voltage drops during start-up.
- ◆ Other equipment may be affected. For example, electric lights may temporarily reduce in brightness.
- ◆ Contact the supply authority, if necessary, to determine that the impedance of the power supply is lower than 0.159 ohms. Disturbances are unlikely to occur under this condition.

Guard against electric shock

- ◆ Prevent body contact with earthed or grounded surfaces (e.g. metal railings, lamp-posts etc.). Electric safety can be further improved by using a high-sensitivity (30 mA/ 30ms) Residual Current Device (RCD).



Warning! The use of an RCD or other circuit breaker unit does not release the operator of your chainsaw from the safety instructions and safe working practices given in this user manual.

Features

1. On/off switch
2. Lock-off button (not shown)
3. Front hand guard
4. Guide bar
5. Saw chain
6. Saw chain cover assembly
7. Saw chain tension adjust wheel
8. Bar clamping knob
9. Guide bar cover
10. Power cord
11. Power cord retainer
12. Oil cap
13. Oil level indicator
14. Spike bumper

Assembly



Warning! Always wear protective gloves when working on your chainsaw.



Warning! Before performing any assembly or maintenance on power tools, switch off and unplug from power supply.



Warning! Remove the cable tie that attaches the saw chain to the chainbar before assembly.

Oiling the saw chain

You must do this whenever you use a new saw chain (5) for the first time. Take the new saw chain (5) and soak it in saw chain oil for at least an hour before using it. Use BLACK+DECKER saw chain oil.

We recommend that you use only BLACK+DECKER oil during the lifetime of your chainsaw because mixtures of different oils could lead to the oil becoming degraded, which can drastically shorten the lifetime of the saw chain and create additional risks.

Never use waste oil, thick oil or very thin sewing machine oil. These may damage your chainsaw.

Fitting the guide bar and saw chain. (fig. A - G)

- ◆ Place the chainsaw onto a stable surface.
- ◆ Rotate the bar adjust locking knob (8) counterclockwise as shown in figure A to remove chain cover assembly (6).
- ◆ Wearing protective gloves, grasp the saw chain (5) and wrap it around the guide bar (4), ensuring the teeth are facing the correct direction (see figure G).
- ◆ Ensure the saw chain is properly set in the slot around the entire guide bar.

- ◆ Place the saw chain around the sprocket (16) while lining up the slot in the guide bar with the bolt (17) in the base of the tool and the saw chain tensioning pin (18) as shown in figure B.

Note: You may need to adjust the position of the saw chain tension pin (18) for it to properly engage the slot in the guide bar by rotating the saw chain tensioning wheel (7).

- ◆ Once in place, turn the saw chain tensioning wheel (7) by hand to preliminarily tighten the assembly and hold it in place.
- ◆ While holding the bar still, replace the sprocket cover (6). Make sure the tab (19) on the cover lines up with the slot (20) in the main housing as shown in figure C. Rotate the bar adjust locking knob (8) clockwise until snug, then loosen knob (8) one full turn, so the saw chain can be properly tensioned.
- ◆ Follow instructions for “Adjusting Saw chain Tension” in the next section.

Adjusting saw chain tension

Warning! Sharp saw chain. Always wear protective gloves when handling the saw chain. The saw chain is sharp and can cut you when it is not running.

Warning! Sharp moving saw chain. To prevent accidental operation, ensure that the tool is unplugged before performing the following operations. Failure to do this could result in serious personal injury.

- ◆ With the saw on a firm surface, check the saw chain (5) tension. The tension is correct when the saw chain snaps back after being pulled 3mm away from the guide bar (4) with light force from the middle finger and thumb as shown in figure D.
- ◆ To adjust saw chain tension, loosen bar adjust locking knob (8), rotate the saw chain tensioning wheel (7) towards the top of the saw to increase tension as shown in figure E. Tighten the bar adjust locking knob until snug after making sure the saw chain (5) is snug around the guide bar (4).
- ◆ There should be no “sag” between the guide bar and the saw chain on the underside as shown in figure F.
- ◆ Once saw chain tension is correct, tighten bar adjust locking knob.
- ◆ Do not over-tension the saw chain as this will lead to excessive wear and will reduce the life of the bar and saw chain.
- ◆ When the saw chain is new, check the tension frequently (after unplugging tool) during the first 2 hours of use as a new saw chain stretches slightly.

Replacing the saw chain

Warning! Sharp saw chain. Always wear protective gloves when handling the saw chain. The saw chain is sharp and can cut you when it is not running.

Warning! Sharp moving saw chain. To prevent accidental operation, ensure that the tool is unplugged before performing the following operations. Failure to do this could result in serious personal injury.

- ◆ Rotate the bar adjust locking knob (8) counterclockwise to lessen saw chain tension.
- ◆ Remove chain cover assembly (6) as described in “Installing the Guide Bar and Saw Chain” section.
- ◆ Lift the worn saw chain (5) out of the groove in the guide bar (4).
- ◆ Place the new saw chain in the slot of the guide bar, making sure the saw teeth are facing the correct direction by matching the arrow on the saw chain with the graphic on the chain cover assembly (6) shown in figure G.
- ◆ Follow previous instructions for Installing the Guide Bar and Saw Chain and adjusting saw chain tension.

Auto oiling system

This chainsaw is equipped with an auto oiling system that keeps the saw chain and guide bar constantly lubricated. The oil level indicator (13) shows the level of the oil in the chainsaw. If the oil level is less than a quarter full, unplug the chainsaw and refill with the proper oil.

Note: Use a high quality bar and saw chain oil for proper saw chain and bar lubrication. As a temporary substitute, a non-detergent SAE30 weight motor oil can be used. The use of a vegetable based bar and saw chain oil is recommended when pruning trees.

Mineral oil is not recommended because it may harm trees. Never use waste oil or very thick oil. These may damage your chainsaw.

Filling the oil reservoir

- ◆ Remove the oil cap (12) and fill the reservoir with the recommended saw chain oil until the oil level has reached the top of the oil level indicator (13).
- ◆ Refit the oil cap.
- ◆ Periodically switch the chainsaw off and check the oil level indicator to ensure the bar and saw chain are being properly oiled.

Attaching extension cord

An extension cord retainer (11) is built into the switch handle. It prevents the extension cord from coming unplugged.

- ◆ Double the extension cord and insert it into the slot (21) in the end of the handle area as shown in figure H. Hook the loop formed by doubling the cord over the cord retainer (11). Gently tug on the cord to ensure that it is firmly retained in the handle. Plug the receptacle end of the extension cord into the power cord (12) of the chainsaw.

Transporting saw

- ◆ Always cover the guide bar (4) with the guide bar cover (9) (figure J) when transporting the saw.
- ◆ Whenever the unit is not being used the front hand guard (3) should be pushed forward which isolates the unit. User should not move anywhere with this activated.

Operating the chainsaw

Warning! Read and understand all instructions. Failure to follow all instructions listed below may result in electric shock, fire and/or serious personal injury.

Switching on and off

- ◆ To turn the tool ON, depress the lock off button (2) and squeeze the trigger switch (1) as shown in figure H. (Once the tool is running you can release the lock off button.)
- ◆ To turn the tool OFF, release the trigger switch.

Note: It will not be possible to switch the tool on if the front hand guard (3) is not in the "set" position.

How to set the front hand guard

- ◆ Make sure that the tool is disconnected from the mains supply.
- ◆ Pull the front hand guard (3) back into the "set" position.
- ◆ The tool is now ready to use.

How the front hand guard works

In the event of kickback, your left hand comes in contact with the front hand guard (3), pushing it forwards, toward the workpiece, and stops the tool within a few fractions of a second.

Felling (fig. K, L & M)

Inexperienced users should not attempt to fell trees. The user may suffer injury or cause damage to property as a result of failure to control the direction of fall, the tree may splinter or damaged/dead branches may fall during cutting:

The safe distance between a tree to be felled and bystanders, buildings and other objects is at least 2 1/2 times the height of the tree. Any bystander, building or object within this distance is at risk from being struck by the tree when felled.

Before attempting to fell a tree:

- ◆ Make sure that there are no local by-laws or regulations that would prohibit or control the felling of the tree.
- ◆ Consider all conditions that may affect the direction of fall, including:
 - ◆ The intended direction of fall.
 - ◆ The natural lean of the tree:
 - ◆ Any unusual heavy limb structure or decay.
 - ◆ Surrounding trees and obstacles including overhead lines and underground drains.
 - ◆ The wind speed and direction.

Pre-plan a safe exit from falling trees or branches.

Make sure that the exit route is clear of obstacles that would prevent or hinder movement. Remember that wet grass and freshly cut bark is slippery.

- ◆ Do not attempt to fell trees where the tree diameter is greater than the cutting length of the chainsaw:
- ◆ Cut a direction notch to determine the direction of fall.
- ◆ Make a horizontal cut to a depth of between 1/5th and 1/3rd of the diameter of the tree, perpendicular to the line of fall at the base of the tree (fig. K).
- ◆ Make a second cut from above to intersect with the first and make a notch of about 45°.
- ◆ Make a single horizontal felling cut from the other side 25 mm to 50 mm above the centre of the direction notch. (fig. L). Do not cut through to the direction notch, you could lose control of the direction of fall.
- ◆ Drive a wedge or wedges into the felling cut to open it and drop the tree (fig. M).

Pruning trees

Make sure that there are no local by-laws or regulations that would prohibit or control the pruning of the tree limbs. Pruning should only be undertaken by experienced users there is an increased risk of the saw saw chain pinching and kick back.

Before pruning consideration should be given to conditions affecting the direction of fall including:

- ◆ The length and weight of the branch to be cut.
- ◆ Any unusual heavy limb structure or decay.
- ◆ Surrounding trees and obstacles including overhead.
- ◆ The wind speed and direction:
- ◆ The branch being intertwined with other branches.

The operator should consider access to the tree limb and the direction of fall. The tree branch is liable to swing towards the tree trunk. In addition to the user bystanders, objects and property below the branch will be at risk.

- ◆ To avoid splintering, make the first cut in an upward direction to a maximum depth of one third the diameter of the branch.
- ◆ Make the second cut downwards to meet the first.

Logging (fig. N, O & P)

How you should cut depends on how the log is supported.

Use a saw horse whenever possible.

Always start a cut with the saw chain running and the spiked bumper (22) in contact with the wood (fig. N).

To complete the cut use a pivoting action of the spiked bumper against the wood.

When supported along its whole length:

- ◆ Make a downward cut, but avoid cutting the earth as this will blunt your saw chain quickly.

When supported at both ends:

- ◆ First, cut one third down to avoid splintering and second, cut up to meet the first cut.

When supported at one end:

- ◆ First cut one third up to avoid splintering and second, cut down to prevent splintering.

When on a slope:

- ◆ Always stand on the uphill side.

When attempting to cut a log on the ground (fig. O)

- ◆ Secure the workpiece using chocks or wedges. The user or a bystander should not steady the log by sitting or standing on it. Make sure that the saw chain does not contact the ground.

When using a saw horse (fig. P):

This is strongly recommended whenever possible.

- ◆ Position the log in a stable position. Always cut on the outside of the saw horse arms. Use clamps or straps to secure the workpiece.

Limbing (fig. Q)

Removing the branches from a fallen tree. When limbing, leave larger lower limbs to support the log off the ground. Remove the small limbs in one cut. Branches under tension should be cut from the bottom of the branch towards the top to avoid binding the chain saw. Trim limbs from opposite side keeping tree stem between you and saw. Never make cuts with saw between your legs or straddle the limb to be cut.

Troubleshooting

Problem	Possible cause	Possible solution
Tool will not start	Lock button not pressed.	Press the lock button.
	Front hand guard in the brake position	Reset Front hand guard
	Blown fuse	Replace fuse
	Tripped RCD	Check RCD
	Mains lead not connected	Check mains supply
Saw chain does not stop within 2 seconds when the tool is switched off	Saw chain tension is too slack	Check saw chain tension

Problem	Possible cause	Possible solution
Bar/saw chain appear hot/smoking	Oil tank empty	Check oil tank level
	Oil hole blocked on saw chain bar	Clean oil holes and clear the groove around the edge of the saw chainbar.
	Saw chain tension is too tight	Check saw chain tension
	Guide bar sprocket nose needs greasing	Oil the guide bar sprocket nose
Chainsaw does not cut well	Saw chain on backwards	Check/modify saw chain direction
	Saw chain is blunt	Sharpen or replace saw chain
Chainsaw not using oil	Debris in tank	Empty oil from tank and replace
	Oil hole in cap blocked	Remove debris from hole
	Debris in saw chain bar	Remove debris and clean the saw chain bar
	Debris in oil outlet	Remove debris

Maintenance

Regular maintenance ensures a long effective life for the tool. We recommend you make the following checks on a regular basis.

Warning! Before performing any maintenance on power tools:

- ◆ Switch off and disconnect the tool from the mains supply.

Oil level

The level in the reservoir should not be allowed to fall below a quarter full.

Saw chain and guide bar (fig. F)

- ◆ After every few hours of use and before storage, remove the guide bar (4) and the saw chain (5) and clean them thoroughly.
- ◆ Make sure that the guard is clean and free from debris.

Warning! Do not overtighten.

- ◆ Oil sprocket nose via the sprocket lubrication hole, this ensure an even distribution of wear around the guide bar rails.

Saw chain sharpening

If you are to get the best possible performance from the tool it is important to keep the teeth of the saw chain sharp.

Replacing worn out saw chains

Replacement saw chains are available through retailers or BLACK+DECKER service agents. Always use genuine spare parts.

Replacement Saw chain:
 BECS1835 35cm Chain A6235CS
 BECS2040 40cm Chain A6240CS
 BECS2245 45cm Chain A6245CS

Saw chain sharpness

The saw chain cutters will blunt immediately if they touch the ground or a nail while cutting.

Saw chain tension

Regularly check the saw chain tension.

What to do if your chainsaw needs repair.

Your chainsaw is manufactured in accordance with the relevant safety requirements. Repairs should only be carried out by a qualified person using original spare parts otherwise this may result in considerable danger to the user. We recommend you keep this user manual in a safe place.

Mains plug replacement (U.K. & Ireland only)

If a new mains plug needs to be fitted:

- ◆ Safely dispose of the old plug.
- ◆ Connect the brown lead to the live terminal in the new plug.
- ◆ Connect the blue lead to the neutral terminal.

Warning! No connection is to be made to the earth terminal. Follow the fitting instructions supplied with good quality plugs. Recommended fuse: 10 A.

Protecting the environment



Separate collection. Products and batteries marked with this symbol must not be disposed of with normal household waste

Products and batteries contain materials that can be recovered or recycled reducing the demand for raw materials. Please recycle electrical products and batteries according to local provisions. Further information is available at www.2helpU.com

Technical data

		BECS1835 Type 1	BECS2040 Type 1	BECS2245 Type 1
Voltage	V _{ac}	230V	230V	230V
Bar length	cm	35	40	46
Max bar length	mm	419	459	511
Saw chain speed (No-load)	m/ sm	14.5	14.5	14.5
Max cutting length	mm	319	368	407
Oil capacity	ml	170	170	170
weight (without saw chain, guide bar, oil)	kg	4.1	4.1	4.3

BECS1835 Noise value measured according to EN62841:

LpA (sound pressure) 99 dB(A), uncertainty (K) 3 dB(A)
 LwA (sound power) 109 dB(A), uncertainty (K) 1.6 dB(A)

BECS1835 Vibration total values (triax vector sum) according to EN 602841:

Vibration emission value (a_v) = 3.8 m/s², uncertainty (K) = 1.5 m/s²

BECS2040 Noise value measured according to EN62841:

LpA (sound pressure) 100 dB(A), uncertainty (K) 3 dB(A)
 LwA (sound power) 110 dB(A), uncertainty (K) 1.8 dB(A)

BECS2040 Vibration total values (triax vector sum) according to EN 602841:

Vibration emission value (a_v) = 5.2 m/s², uncertainty (K) = 1.5 m/s²

BECS2245 Noise value measured according to EN62841:

LpA (sound pressure) 98 dB(A), uncertainty (K) 3 dB(A)
 LwA (sound power) 108 dB(A), uncertainty (K) 1.6 dB(A)

BECS2245 Vibration total values (triax vector sum) according to EN 602841:

Vibration emission value (a_v) = 4.1 m/s², uncertainty (K) = 1.5 m/s²

**Supply of Machinery (Safety)
 Regulations 2008**



BECS1835, BECS2040, BECS2245 Chainsaw

Black & Decker declares that these products described under “technical data” are in compliance with:

The Supply of Machinery (Safety) Regulations, 2008, S.I. 2008/1597 (as amended),

EN 62841-1:2015+A11:2022, EN 62841-4-1:2020.

The Noise Emission in the Environment by Equipment for use Outdoors Regulations 2001, S.I. 2001/1701 (as amended).

Schedule 8.

BECS2040: LWA (measured sound power level) 110 dB(A), uncertainty (K) = 1.8 dB (A),

LWA (guaranteed sound power) 112 dB(A).

BECS1835: Measured sound power level LWA: 109 dB(A). K = 1.6 dB(A).

The guaranteed sound power LWA: 111 dB(A).

BECS2245 : Measured sound power level LWA: 108 dB(A). K = 1.6 dB(A).

The guaranteed sound power LWA: 110 dB(A)

These products conform to the following UK Regulations: Electromagnetic Compatibility Regulations, 2016, S.I.2016/1091 (as amended).

The Restriction of the Use of Certain Hazardous Substances in Electrical and Electronic Equipment Regulations 2012, S.I. 2012/3032 (as amended).

For more information, please contact Black & Decker at the following address or refer to the back of the manual.

The undersigned is responsible for compilation of the technical file and makes this declaration on behalf of
Black & Decker



Paul Featherstone

Product Director - Outdoor Products Group
Black & Decker UK, 270 Bath Road, Slough
Berkshire, SL1 4DX
United Kingdom

17/02/2023

EC declaration of conformity

MACHINERY DIRECTIVE



BECS1835, BECS2040, BECS2245 Chainsaw

Black & Decker declares that these products described under "technical data" are in compliance with: 2006/42/EC,

EN 62841-1:2015+A11:2022, EN 62841-4-1:2020
2000/14/EC, Annex V

BECS2040: LWA (measured sound power level) 110 dB(A),
uncertainty (K) = 1.8 dB (A),

LWA (guaranteed sound power) 112 dB(A)

BECS1835: Measured sound power level LWA: 109 dB(A). K
= 1,6 dB(A).

The guaranteed sound power LWA: 111 dB(A).

BECS2245 : Measured sound power level LWA: 108 dB(A). K
= 1,6 dB(A).

The guaranteed sound power LWA: 110 dB(A)

These products also comply with Directive

2014/30/EU and 2011/65/EU.

For more information, please contact Black & Decker at the following address or refer to the back of the manual.

The undersigned is responsible for compilation of the technical file and makes this declaration on behalf of
Black & Decker.



Patrick Diepenbach
General Manager, Benelux
Black & Decker,
Egide Walschaertsstraat 14-18
2800 Mechelen, Belgium
17/02/2023

Garantie

Black & Decker is confident of the quality of its products and offers consumers a 24 month guarantee from the date of purchase. This guarantee is in addition to and in no way prejudices your statutory rights.

The guarantee is valid within the territories of the Member States of the European Union with European Free Trade Area and the United Kingdom.

To claim on the guarantee, the claim must be in accordance with Black & Decker Terms and Conditions and you will need to submit proof of purchase to the seller or an authorised repair agent. Terms and conditions of the Black & Decker 2 year guarantee and the location of your nearest authorised repair agent can be obtained on the Internet at www.2helpU.com, or by contacting your local Black & Decker office at the address indicated in this manual.

Please visit our website www.blackanddecker.co.uk to register your new BLACK+DECKER product and receive updates on new products and special offers.

(Übersetzung der ursprünglichen
Anweisungen)

DEUTSCH

Verwendungszweck

Ihre BLACK+DECKER™ Kettensäge BECS1835, BECS2040, BECS2245 wurde zum Fällen von Bäumen und zum Sägen von Stämmen entwickelt. Dieses Gerät ist nicht für den gewerblichen Einsatz bestimmt.

Sicherheitshinweise

Allgemeine Sicherheitswarnungen für das Gerät



Warnung! Beachten Sie alle Sicherheitshinweise, Anweisungen, Darstellungen und Daten, die Sie mit dem Gerät erhalten. Wenn Sie die folgenden Anweisungen nicht beachten, kann es zu elektrischem Schlag, Feuer und/oder schweren Verletzungen kommen.

Bewahren Sie alle Warnhinweise und alle Anweisungen gut auf. Der nachfolgend verwendete Begriff „Gerät“ bezieht sich auf netzbetriebene Geräte (mit Netzkabel) und auf akkubetriebene Geräte (ohne Netzkabel).

1. Sicherheit im Arbeitsbereich

- a. **Halten Sie Ihren Arbeitsbereich sauber und gut ausgeleuchtet.** Unaufgeräumte oder dunkle Bereiche begünstigen Unfälle.
- b. **Betreiben Sie das Gerät nicht in Umgebungen, in denen Explosionsgefahr z. B. aufgrund von brennbaren Flüssigkeiten, Gasen oder Staub besteht.** Elektrowerkzeuge erzeugen Funken, die den Staub oder die Dämpfe entzünden können.
- c. **Halten Sie Kinder und andere Personen während der Benutzung von Elektrowerkzeugen fern.** Ablenkung kann dazu führen, dass Sie die Kontrolle über das Gerät verlieren.

2. Elektrische Sicherheit

- a. **Der Netzstecker des Geräts muss in die Steckdose passen. Ändern Sie niemals den Stecker in irgendeiner Form. Verwenden Sie keinerlei Adapterstecker an geerdeten Elektrogeräten.**
Unveränderte Stecker und passende Steckdosen mindern die Gefahr eines elektrischen Schlages.
- b. **Vermeiden Sie Körperkontakt mit geerdeten Oberflächen von Rohren, Heizungen, Herden und Kühlschränken.** Es besteht eine erhöhte Gefahr für einen elektrischen Schlag, wenn Ihr Körper geerdet ist.
- c. **Halten Sie Geräte von Regen und Nässe fern.** Wenn Wasser in das Elektrogerät eindringt, erhöht sich die Gefahr eines elektrischen Schlages.
- d. **Verwenden Sie das Kabel ordnungsgemäß. Verwenden Sie niemals das Kabel, um das Elektrogerät zu tragen oder durch Ziehen vom Netz zu trennen. Halten Sie das Kabel fern von Hitze, Öl, scharfen Kanten oder beweglichen Teilen.** Beschädigte oder verhedderte Kabel erhöhen die Gefahr eines elektrischen Schlages.
- e. **Verwenden Sie nur für den Außenbereich zugelassene Verlängerungskabel, wenn Sie mit dem Gerät im Freien arbeiten.** Die Verwendung von für den Außeneinsatz geeigneten Kabeln mindert die Gefahr eines elektrischen Schlages.
- f. **Wenn das Gerät in einer feuchten Umgebung verwendet werden muss, schließen Sie es unbedingt an eine Steckdose mit Fehlerstromschutzschalter (FI-Schalter) an.** Der Einsatz eines Fehlerstromschutzschalters mindert die Gefahr eines elektrischen Schlages.

3. Sicherheit von Personen

- a. **Seien Sie aufmerksam, achten Sie darauf, was Sie tun, und gehen Sie sachgerecht mit einem Gerät um. Benutzen Sie Elektrowerkzeuge nicht, wenn Sie müde sind oder unter dem Einfluss von Drogen, Alkohol oder Medikamenten stehen.** Ein Moment der Unachtsamkeit beim Betrieb eines Elektrowerkzeugs kann zu schweren Verletzungen führen.
- b. **Verwenden Sie eine geeignete Schutzausrüstung. Tragen Sie immer einen Augenschutz.** Das Tragen persönlicher Schutzausrüstung, wie Staubmaske, rutschfeste Sicherheitsschuhe, Schutzhelm oder Gehörschutz, je nach Art und Einsatz des Elektrowerkzeugs, verringert das Risiko von Verletzungen.
- c. **Vermeiden Sie eine unbeabsichtigte Inbetriebnahme. Vergewissern Sie sich, dass das Elektrowerkzeug ausgeschaltet ist, bevor Sie es an eine Steckdose oder einen Akku anschließen, es hochheben oder tragen.**

Wenn Sie beim Tragen des Elektrowerkzeugs den Finger am Schalter haben oder das Elektrowerkzeug eingeschaltet an die Stromversorgung anschließen, kann dies zu Unfällen führen.

- d. **Entfernen Sie Einstell- oder Schraubenschlüssel, bevor Sie das Gerät einschalten.** Werkzeuge oder Schlüssel, die an rotierenden Teilen des Geräts angebracht sind, können zu Verletzungen führen.
 - e. **Beugen Sie sich nicht zu weit nach vorne. Sorgen Sie für einen sicheren Stand und halten Sie jederzeit das Gleichgewicht.** Dadurch können Sie das Elektrowerkzeug in unerwarteten Situationen besser kontrollieren.
 - f. **Tragen Sie geeignete Kleidung. Tragen Sie keine weite Kleidung und keinen Schmuck. Halten Sie Ihre Haare, Kleidung und Handschuhe von beweglichen Teilen fern.** Lose sitzende Kleidung, Schmuck oder lange Haare können sich in den beweglichen Teilen verfangen.
 - g. **Falls Vorrichtungen zum Absaugen oder Auffangen von Staub vorhanden sind, vergewissern Sie sich, dass diese angeschlossen sind und richtig verwendet werden.** Der Einsatz von Staubsammlern kann staubbedingte Gefahren mindern.
 - h. **Vermeiden Sie, dass Sie durch häufige Verwendung von Werkzeugen unachtsam werden und die Prinzipien der Werkzeugsicherheit ignorieren.** Eine unachtsame Aktion kann im Bruchteil einer Sekunde zu schweren Verletzungen führen.
- ## 4. Gebrauch und Pflege von Elektrowerkzeugen
- a. **Überlasten Sie das Gerät nicht. Verwenden Sie das für Ihre Arbeit passende Elektrowerkzeug.** Das richtige Gerät wird die Aufgabe besser und sicherer erledigen, wenn es bestimmungsgemäß verwendet wird.
 - b. **Verwenden Sie das Gerät nicht, wenn der Ein-/Ausschalter nicht funktioniert.** Ein Elektrowerkzeug, das sich nicht mehr ein- oder ausschalten lässt, ist gefährlich und muss repariert werden.
 - c. **Ziehen Sie den Stecker aus der Steckdose, oder trennen Sie das Gerät vom Akku, bevor Sie Einstellungen vornehmen, Zubehörteile wechseln oder das Gerät lagern.** Diese Vorbeugemaßnahmen mindern die Gefahr, dass das Elektrowerkzeug unbeabsichtigt startet.
 - d. **Bewahren Sie unbenutzte Elektrowerkzeuge außerhalb der Reichweite von Kindern auf. Lassen Sie Elektrowerkzeuge nicht von Personen benutzen, die damit nicht vertraut sind oder diese Anweisungen nicht gelesen haben.**
Elektrowerkzeuge sind in den Händen nicht geschulter Personen gefährlich.
 - e. **Halten Sie das Gerät in einem einwandfreien Zustand.**

Kontrollieren Sie, ob bewegliche Teile falsch ausgerichtet sind oder klemmen und ob Teile gebrochen oder so beschädigt sind, dass die Funktion des Elektrowerkzeugs beeinträchtigt ist. Bei Beschädigungen lassen Sie das Elektrowerkzeug reparieren, bevor Sie es verwenden. Viele Unfälle entstehen wegen mangelnder Wartung der Elektrowerkzeuge.

- f. Halten Sie Schneidgeräte scharf und sauber. Richtig gewartete Schneidwerkzeuge mit scharfen Klingen blockieren seltener und sind leichter unter Kontrolle zu halten.
- g. Benutzen Sie Elektrowerkzeuge, Zubehör, Werkzeugspitzen und Ähnliches in Übereinstimmung mit diesen Anweisungen und auf die für das jeweilige Elektrowerkzeug bestimmungsgemäße Weise und beachten Sie dabei die jeweiligen Arbeitsbedingungen und die Art der auszuführenden Arbeiten. Der Gebrauch von Elektrowerkzeugen für andere als die vorgesehenen Zwecke kann zu gefährlichen Situationen führen.
- h. Halten Sie die Griffe trocken, sauber und frei von Öl und Fett. Rutschige Griffe und Oberflächen unterbinden die sichere Bedienbarkeit und Kontrolle über das Werkzeug in unerwarteten Situationen.

5. Service

- a. Lassen Sie Ihr Elektrowerkzeug nur von qualifiziertem Fachpersonal und nur mit Originalersatzteilen reparieren. Damit wird sichergestellt, dass die Sicherheit des Geräts erhalten bleibt.

Allgemeine Sicherheitshinweise für Sägeketten



Warnung! Zusätzliche Sicherheitswarnungen für Kettensägen

- ◆ Halten Sie alle Körperteile von der Kette fern, wenn das Gerät in Betrieb ist. Vergewissern Sie sich vor dem Starten der Kettensäge, dass die Kette keine Gegenstände berührt. Ein Moment der Unachtsamkeit während des Betriebs kann dazu führen, dass die Kette Körper- oder Kleidungsstücke berührt.
- ◆ Halten Sie die Kettensäge immer mit der rechten Hand am hinteren und mit der linken Hand am vorderen Griff. Wenn Sie das Gerät anders halten, besteht erhöhte Verletzungsgefahr.
- ◆ Halten Sie die Kettensäge ausschließlich an den isolierten Griffflächen, da die Kette mit verdeckten Kabeln in Berührung kommen könnte. Der Kontakt der Sägekette mit stromführenden Leitungen kann auch offenliegende Metallteile an der Kettensäge unter Strom setzen und zu einem Stromschlag führen.
- ◆ Tragen Sie Augenschutz. Außerdem empfiehlt sich das Tragen zusätzlicher Schutzausrüstung für Ohren, Kopf, Hände, Beine und Füße. Geeignete Schutzausrüstung verringert das Risiko von Verletzungen durch weggeschleuderte Schnittabfälle oder durch unabsichtlichen Kontakt mit der Kette.
- ◆ Bedienen Sie die Säge nicht, wenn Sie sich in einem Baum, auf einer Leiter, einem Dach oder auf einer anderen instabilen Fläche befinden. Der Betrieb einer Kettensäge auf diese Weise kann zu schweren Verletzungen führen.
- ◆ Achten Sie jederzeit auf einen sicheren Stand, und benutzen Sie die Kettensäge nur auf festem, ebenen Boden. Auf rutschigen und instabilen Oberflächen oder auf Leitern ist kein sicherer Stand gewährleistet. Es besteht die Gefahr, dass Sie das Gleichgewicht und die Kontrolle über die Kettensäge verlieren.
- ◆ Beim Durchschneiden eines Astes, der unter Spannung steht, kann dieser zurückschnellen. Wenn die Spannung in den Holzfasern freigesetzt wird kann der Ast den Bediener treffen und/oder gegen die Kettensäge schlagen und diese außer Kontrolle bringen.
- ◆ Arbeiten Sie beim Sägen von Büschen und Jungbäumen mit größter Vorsicht. Es besteht die Gefahr, dass sich das nachgiebige Material in der Kette verfängt, in Ihre Richtung gedrückt wird und Sie aus dem Gleichgewicht bringt.
- ◆ Tragen Sie die Kettensäge am vorderen Handgriff. Das Gerät muss ausgeschaltet sein und sollte den Körper nicht berühren. Bringen Sie den Kettenschutz an, bevor Sie das Gerät transportieren oder lagern. Durch einen sachgemäßen Umgang mit der Kettensäge verhindern Sie einen unabsichtlichen Kontakt mit der sich bewegenden Kette.
- ◆ Befolgen Sie die Anweisungen zum Ölen und Spannen der Sägekette und zum Wechseln von Sägeschwert und Sägekette. Bei einer unzureichend gespannten oder geölten Sägekette besteht Riss- und erhöhte Rückschlaggefahr.
- ◆ Schneiden Sie nur in Holz. Verwenden Sie die Kettensäge nicht zweckentfremdet. Sägen Sie mit der Kettensäge zum Beispiel kein Metall, keinen Kunststoff, kein Mauerwerk und keine Baumaterialien, die nicht aus Holz sind. Der Gebrauch der Kettensäge für andere als die vorgesehenen Zwecke kann zu gefährlichen Situationen führen.
- ◆ Versuchen Sie nicht, einen Baum zu fällen, bevor Sie die zugehörigen Risiken kennen und wissen, wie Sie diese vermeiden können. Beim Fällen eines Baumes kann es zu schweren Verletzungen des Bedieners oder umstehender Personen kommen.

- ◆ **Befolgen Sie beim Entfernen von feststeckendem Material, beim Lagern oder bei der Wartung alle Anweisungen. Vergewissern Sie sich, dass das Werkzeug vom Stromnetz getrennt ist.** Unerwartete Bewegungen der Kettensäge beim Entfernen von feststeckendem Material oder bei der Wartung können zu schweren Verletzungen führen.
- ◆ Tragen Sie eng anliegende Schutzkleidung, inklusive eines Schutzhelms mit Schirm/Schutzbrille, Gehörschutz, rutschfestes, sicheres Schuhwerk, Schutzlatzhosen und feste Lederhandschuhe.
- ◆ Stellen Sie sich immer so auf, dass Sie nicht von herabfallenden Ästen getroffen werden können.
- ◆ Der Sicherheitsabstand zwischen dem zu schneidenden Ast und Zuschauern, Gebäuden und anderen Gegenständen beträgt mindestens das 2,5-fache der Astlänge. Für Gegenstände, Gebäude und Zuschauer innerhalb dieses Abstandsbereichs besteht die Gefahr, von dem herabfallenden Ast getroffen zu werden.
- ◆ Planen Sie einen sicheren Fluchtweg vor herabfallenden Ästen. Achten Sie darauf, dass der Fluchtweg frei von Hindernissen ist, die Ihre Bewegungsfreiheit stören könnten. Berücksichtigen Sie, dass feuchtes Gras und frisch geschnittene Baumrinde rutschig sind.
- ◆ Stellen Sie sicher, dass sich für den Fall eines Unfalls jemand in der Nähe befindet (jedoch in ausreichendem Sicherheitsabstand).
- ◆ Verwenden Sie die Säge nicht, wenn Sie sich auf einem Baum, auf einer Leiter oder auf einer anderen instabilen Fläche befinden.
- ◆ Sorgen Sie für einen sicheren Stand und halten Sie jederzeit das Gleichgewicht.
- ◆ Halten Sie das Gerät fest mit beiden Händen, während der Motor läuft.
- ◆ Bei laufender Sägekette darf die Spitze des Führungsschwerts nicht mit einem Gegenstand in Kontakt kommen.
- ◆ Zu Beginn des Schnitts muss die Sägekette immer mit voller Geschwindigkeit laufen.
- ◆ Versuchen Sie nicht, die Säge in einen vorhandenen Schnittspalt einzuführen. Führen Sie stets einen neuen Schnitt durch.
- ◆ Achten Sie auf die Bewegung des geschnittenen Astes und auf andere Kräfte, die dazu führen könnten, dass sich der Schnittspalt schließt und die Kette einklemmt oder dass Holz in die laufende Sägekette fällt.
- ◆ Versuchen Sie nicht, einen Ast zu schneiden, dessen Durchmesser die Schnittlänge der Kettensäge überschreitet.
- ◆ Stülpen Sie die Sägekettenabdeckung immer über die Sägekette, wenn Sie das Werkzeug lagern oder transportieren.
- ◆ Halten Sie die Kette scharf und richtig gespannt.

Überprüfen Sie die Spannung regelmäßig.

- ◆ Schalten Sie das Werkzeug aus, unterbrechen Sie die Stromzufuhr und lassen Sie die Sägekette zum Stillstand kommen, bevor Sie Einstellungen, Wartungsarbeiten oder Reparaturen durchführen.
- ◆ Verwenden Sie nur Originalersatzteile und -zubehör.
- ◆ Halten Sie die Griffe trocken, sauber und öl- und fettfrei. Schmierige, ölige Griffe sind rutschig. Dadurch ist die Kontrolle über das Gerät nicht mehr gewährleistet.
- ◆ Die Anschlagkralle kann mit der Zeit scharf werden. Gehen Sie daher vorsichtig damit um.
- ◆ Vorsicht: Das Sägekettenschwert kann sich beim Betrieb erhitzen.

Ursachen für Rückschlag und Gegenmaßnahmen seitens des Bedieners

Rückschlag kann auftreten, wenn die Spitze des Führungsschwerts einen Gegenstand berührt, oder wenn Holz einknickt und die Sägekette im Schneidspalt einklemmt.

Kontakt an der Spitze kann in einigen Fällen eine blitzschnelle Rückschlagwirkung erzeugen, die die Führungsschiene nach oben und zurück in Richtung Bediener schnellen lässt.

Wenn die Kette an der Oberseite des Führungsschwerts eingeklemmt wird, kann dies das Schwert schnell nach hinten in Richtung Bediener drücken.

Diese Reaktionen können zum Verlust der Kontrolle über die Kettensäge und damit zu schweren Verletzungen führen. Verlassen Sie sich nicht nur auf die Sicherheitsvorrichtungen der Kettensäge. Als Bediener einer Kettensäge müssen Sie verschiedene Vorkehrungen treffen, um Sägearbeiten ohne Unfälle und Verletzungen durchführen zu können.

Ein Rückschlag ist das Resultat eines Missbrauchs und/oder einer falschen Bedienung der Kettensäge oder falscher Arbeitsbedingungen. Er kann durch die entsprechenden unten angegebenen Vorsichtsmaßnahmen vermieden werden.

- ◆ **Halten Sie die Säge mit den Daumen auf einer Seite und den Fingern auf der anderen Seite an den Griffen fest. Durch einen festen Griff mit beiden Händen, einen ausgestreckten linken Arm und einen stabilen Stand lässt sich das Zurückschlagen vermeiden.** Die Rückschlagkräfte können vom Bediener mittels entsprechender Vorsichtsmaßnahmen unter Kontrolle gehalten werden. Lassen Sie die Kettensäge nicht los.
- ◆ **Strecken Sie sich nicht zu weit nach vorne, und schneiden Sie nicht oberhalb der Schulterhöhe.** Dadurch vermeiden Sie einen versehentlichen Kontakt der Spitze, und die Kettensäge lässt sich in unerwarteten Situationen besser unter Kontrolle halten.
- ◆ **Als Ersatzteile dürfen nur die vom Hersteller bezeichneten Führungsschwerter und Sägeketten verwendet werden.** Bei Verwendung falscher Ersatzteile besteht die Gefahr eines Sägekettenrisses und/oder erhöhte Rückschlaggefahr.

- ◆ **Das Schärfen der Sägekette und sämtliche Wartungsarbeiten müssen gemäß den Anweisungen des Herstellers erfolgen.** Das Kürzen der Tiefenbegrenzer an der Kette kann zu einer erhöhten Rückschlaggefahr führen.

Empfehlungen für einen sicheren Umgang mit der Kettensäge

- ◆ Anfänger sollten sich unbedingt von einem erfahrenen Benutzer die sachgemäße Verwendung der Kettensäge und der Schutzausrüstung demonstrieren lassen. Es empfiehlt sich, zunächst das Sägen von Stückholz auf einem Sägebock zu üben.
- ◆ Beim Tragen der Kettensäge sollte die Sägekette nach hinten weisen.
- ◆ Halten Sie die Kettensäge auch bei Nichtgebrauch in einem einwandfreien Betriebszustand. Nehmen Sie vor einer längeren Lagerung der Kettensäge die Kette und das Führungsschwert ab. Diese Teile sollten in Öl getaucht werden. Bewahren Sie sämtliche Teile der Kettensäge an einem trockenen, sicheren Ort außerhalb der Reichweite von Kindern auf.
- ◆ Verlegen Sie das Kabel so, dass es sich beim Sägen nicht in Ästen usw. verfangen kann.
- ◆ Der Ölbehälter sollte vor einer längeren Lagerung geleert werden.
- ◆ Achten Sie auf einen sicheren Stand, und planen Sie einen sicheren Fluchtweg vor dem fallenden Baum oder vor fallenden Ästen.
- ◆ Verwenden Sie beim Fällen eines Baums Keile, um die Fallrichtung zu beeinflussen und um zu verhindern, dass sich Kette und Führungsschwert im Schneidspalt verklemmen.
- ◆ Pflegen Sie die Sägekette. Halten Sie die Kette scharf und richtig gespannt. Stellen Sie sicher, dass Kette und Führungsschwert sauber und ausreichend geölt sind. Achten Sie darauf, dass die Griffe trocken, sauber sowie frei von Öl und Fett sind.

Ein Rückschlag kann verursacht werden durch:

- ◆ Versehentliches Berühren von Ästen oder anderen Gegenständen mit der Sägespitze, während sich die Kette bewegt.
- ◆ Berühren von Metall, Mauerwerk oder anderen harten Gegenständen in der Nähe oder innerhalb des Holzes.
- ◆ Eine stumpfe oder lockere Sägekette.
- ◆ Schnitte oberhalb der Schulterhöhe.
- ◆ Nachlässiges Halten oder Führen der Kettensäge während des Schneidens.
- ◆ Überstrecken. Achten Sie jederzeit auf einen sicheren Stand und eine sichere Balance, und überstrecken Sie sich nicht.

- ◆ Führen Sie die Säge nicht in einen vorhandenen Schneidspalt ein. Hierdurch kann ein Rückschlag verursacht werden. Führen Sie stets einen neuen Schnitt durch.
- ◆ Es wird dringend davon abgeraten, die Kettensäge in einem Baum, auf einer Leiter oder auf einer anderen instabilen Fläche zu betreiben. Wenn Sie sich dennoch hierzu entschließen, sollten Sie sich der erhöhten Unfall- und Verletzungsgefahr bewusst sein.
- ◆ Achten Sie beim Durchtrennen eines Asts unter Spannung darauf, dass Sie nicht von zurückschnellendem Holz getroffen werden.

Folgendes ist zu beachten:

- ◆ Sägen Sie kein vorbehandeltes Holz.
- ◆ Berühren Sie mit laufender Kette nicht den Boden.
- ◆ Schneiden Sie nicht in Drahtzäune, Nägel usw.
- ◆ Schneiden Sie möglichst keine Büsche oder Jungbäume. Es besteht die Gefahr, dass sich das nachgiebige Material in der Kette verfängt, in Ihre Richtung gedrückt wird und Sie aus dem Gleichgewicht bringt.
- ◆ Verwenden Sie die Kettensäge nicht oberhalb der Schulterhöhe.
- ◆ Stellen Sie sicher, dass sich für den Fall eines Unfalls jemand in der Nähe befindet (jedoch in ausreichendem Sicherheitsabstand).
- ◆ Falls Sie die Kette aus irgendeinem Grund berühren müssen, vergewissern Sie sich, dass die Kettensäge vom Netz getrennt ist.
- ◆ Der Schallpegel dieses Gerätes kann 80 dB(A) überschreiten. Das Tragen eines Gehörschutzes wird daher empfohlen.

Restrisiken

Beim Gebrauch dieses Geräts verbleiben zusätzliche Restrisiken, die möglicherweise nicht in den Sicherheitshinweisen genannt werden. Diese Risiken bestehen beispielsweise bei Missbrauch oder längerem Gebrauch.

Auch bei der Einhaltung der entsprechenden Sicherheitsvorschriften und der Verwendung aller Sicherheitsgeräte bestehen weiterhin bestimmte Restrisiken. Diese sind:

- ◆ Verletzungen, die durch das Berühren von sich drehenden/bewegenden Teilen verursacht werden.
- ◆ Verletzungen, die durch das Austauschen von Teilen, Messern oder Zubehör verursacht werden.
- ◆ Der längere Gebrauch eines Werkzeugs kann Verletzungen zur Folge haben. Legen Sie bei längerem Gebrauch regelmäßige Pausen ein.
- ◆ Schwerhörigkeit.

- ◆ Gesundheitsrisiken durch das Einatmen von Staub beim Gebrauch des Werkzeugs (z. B. bei Holzarbeiten, insbesondere Eiche, Buche und Pressspan)

Vibration

Die in den Abschnitten „Technische Daten“ und „EU-Konformitätserklärung“ angegebenen Werte für die Vibrationsemission und die Lärmemission wurden mit einer Standard-Prüfmethode nach EN 62841 ermittelt und können zum Vergleich verschiedener Geräte herangezogen werden. Außerdem kann mit Hilfe dieser Werte die Belastung bei Verwendung des Werkzeugs schon im Voraus eingeschätzt werden.

Warnung! Die bei Verwendung des Geräts auftretende Vibrations- und Lärmemission hängt von der Art des Gerätegebrauchs ab und kann dementsprechend von dem angegebenen Wert abweichen. Das Schwingungsniveau kann das angegebene Niveau übersteigen.

Bei der Bewertung der Schwingungsexposition zur Festlegung der durch die Richtlinie 2002/44/EG erforderlichen Sicherheitsmaßnahmen zum Schutz von Personen, die bei ihrer Beschäftigung regelmäßig Elektrowerkzeuge verwenden, muss eine Schätzung der Schwingungsexposition die tatsächlichen Nutzungsbedingungen und die Art berücksichtigen, auf die das Werkzeug verwendet wird, einschließlich der Beachtung aller Teile des Betriebszyklus, wie die Male, die das Werkzeug ausgeschaltet wird und wenn es im Ruhemodus läuft zusätzlich zur Auslösezeit.

Etiketten am Werkzeug

Die folgenden Bildsymbole werden gemeinsam mit dem Datumcode auf dem Werkzeug ausgewiesen:



Warnung! Lesen Sie vor Gebrauch die Anleitung. Andernfalls besteht Verletzungsgefahr.



Verwenden Sie die Säge nicht in nasser Umgebung, und schützen Sie sie vor Regen.



Tragen Sie stets Kopf-, Gehör- und Augenschutz.



Tragen Sie immer Handschuhe.



Tragen Sie stets rutschfestes, sicheres Schuhwerk.



Halten Sie die Säge immer mit beiden Händen fest.



Verwenden Sie die Kettensäge nicht nur mit einer Hand.



Seien Sie auf einen Rückschlag der Kettensäge vorbereitet und vermeiden Sie den Kontakt mit der Spitze des Sägeketten-schwerts.



Achten Sie auf herabfallende Gegenstände. Halten Sie andere Personen fern.



Warnung! Greifen Sie nicht am Spanauswurf in die Sägekette.



Drehrichtung der Sägekette.



Ziehen Sie den Stecker sofort aus der Netzsteckdose, falls das Kabel beschädigt oder durchtrennt wurde.



Garantierte Schalleistung laut Richtlinie 2000/14/EG.



Garantierte Schalleistung laut Richtlinie 2000/14/EG.



Garantierte Schalleistung laut Richtlinie 2000/14/EG.

Elektrische Sicherheit



Dieses Gerät ist schutzisoliert, daher ist keine Erdleitung erforderlich. Überprüfen Sie immer, dass die Stromversorgung der Spannung auf dem Typenschild entspricht.

- ◆ Bei einer Beschädigung des Netzkabels muss dieses durch den Hersteller oder eine BLACK+DECKER Vertragswerkstatt ausgetauscht werden, um mögliche Gefahren zu vermeiden.

Verwenden eines Verlängerungskabels

- ◆ Verwenden Sie ausschließlich geprüfte Verlängerungskabel, die für die Leistungsaufnahme dieses Geräts ausgelegt sind (siehe "Technische Daten"). Das Verlängerungskabel muss für die Verwendung im Außenbereich geeignet und entsprechend markiert sein. Es kann ein H07RN-F 2 x 1,5 mm²-Verlängerungskabel von einer Länge von bis zu 30 m verwendet werden, ohne dass die Leistung des Geräts beeinträchtigt wird.

Prüfen Sie vor der Inbetriebnahme das Netzkabel auf Verschleiß und Beschädigungen. Wechseln Sie beschädigte oder fehlerhafte Verlängerungskabel aus. Wenn Sie eine Kabeltrommel verwenden, wickeln Sie das Kabel vollständig ab.

Spannungsabfälle

- ◆ Beim Starten dieses Gerätes kann es unter bestimmten Bedingungen der Stromversorgung zu kurzzeitigen Spannungsabfällen kommen.
- ◆ Davon können andere Geräte betroffen sein. Beispielsweise kann sich dies zeitweise auf die Intensität elektrischen Lichts auswirken.
- ◆ Wenden Sie sich falls erforderlich an Ihr Stromversorgungsunternehmen, um festzustellen, ob die Impedanz der Stromversorgung kleiner als 0,159 Ohm beträgt. Unterhalb dieses Schwellwerts sind Störungen sehr unwahrscheinlich.

Schützen Sie sich vor elektrischem Schlag

- ◆ Vermeiden Sie eine Berührung des Körpers mit geerdeten Gegenständen (z. B. Metallgeländer, Laternenpfähle usw.).

Die elektrische Sicherheit lässt sich durch Verwendung eines Fehlerstromschutzschalters (30 mA/30 ms) erhöhen.



Warnung! Die Verwendung eines Fehlerstromschutzschalters oder einer anderen Vorrichtung zur Unterbrechung der Stromversorgung befreit den Bediener der Kettensäge jedoch nicht von seiner Sorgfaltspflicht. Die im vorliegenden Handbuch enthaltenen Sicherheitshinweise und Anleitungen zum sicheren Umgang mit dem Gerät sind in jedem Fall zu beachten.

Merkmale

1. Ein-/Aus-Schalter
2. Einschaltsperr (nicht abgebildet)
3. Vorderer Handschutz
4. Führungsschwert
5. Sägekette
6. Sägekettenabdeckung
7. Sägekettenspannrad
8. Verriegelungsknopf für die Schwertjustierung
9. Führungsschwertabdeckung
10. Netzkabel
11. Halterung für das Netzkabel
12. Ölbehälterdeckel
13. Ölpegelanzeige
14. Anschlagkrallen

Montage



Warnung! Tragen Sie stets Schutzhandschuhe, wenn Sie an der Kettensäge arbeiten.



Warnung! Schalten Sie Elektrowerkzeuge vor Montage- oder Wartungsarbeiten aus und ziehen Sie den Netzstecker aus der Steckdose.



Warnung! Entfernen Sie vor der Montage den Kabelbinder, mit dem die Sägekette am Führungsschwert gehalten wird.

Ölen der Sägekette

Diese Aufgabe ist durchzuführen, wenn eine neue Sägekette (5) zum ersten Mal verwendet wird. Nehmen Sie die neue Sägekette (5) aus ihrem Kunststoffbeutel und legen Sie sie vor der Montage mindestens eine Stunde lang in Kettenöl. Verwenden Sie Sägekettenöl von BLACK+DECKER.

Wir empfehlen, während der gesamten Lebensdauer der Kette ausschließlich Öl von BLACK+DECKER zu verwenden, da das Mischen verschiedener Öle die Ölqualität mindern und so zu einer drastischen Verkürzung der Lebensdauer der Kette sowie weiteren Risiken führen kann.

Verwenden Sie niemals gebrauchtes Öl, dickflüssiges Öl oder sehr dünnflüssiges Nähmaschinenöl. Hierdurch kann die Kettensäge beschädigt werden.

Anbringen des Führungsschwerts und der Sägekette. (Abb. A - G)

- ◆ Stellen Sie die Kettensäge auf eine stabile Unterlage.
- ◆ Drehen Sie den Verriegelungsknopf für die Schwertjustierung (8) wie in Abbildung A gezeigt gegen den Uhrzeigersinn, um die Kettenabdeckung (6) zu entfernen.
- ◆ Tragen Sie Schutzhandschuhe, nehmen Sie die Sägekette (5) und wickeln Sie sie um das Führungsschwert (4), wobei die Zähne in die richtige Richtung weisen müssen (siehe Abbildung G).
- ◆ Stellen Sie sicher, dass die Sägekette um die gesamte Führungsschiene herum richtig in dem Schlitz sitzt.
- ◆ Legen Sie die Sägekette um das Kettenrad (16) und richten Sie dabei den Schlitz in der Führungsschiene wie in Abbildung B gezeigt an dem Bolzen (17) im Unterteil des Werkzeugs und dem Spannstift der Sägekette (18) aus.

Hinweis: Möglicherweise müssen Sie die Position des Spannstifts der Sägekette (18) durch Drehen des Sägekettenspannrads (7) so einstellen, dass er richtig in den Schlitz im Führungsschwert eingreift.

- ◆ Drehen Sie das Sägekettenspannrad (7) von Hand, um die Baugruppe vorläufig zu spannen und zu fixieren.

- ◆ Halten Sie das Schwert fest und bringen Sie die Kettenradabdeckung (6) wieder an. Vergewissern Sie sich, dass die Lasche (19) an der Abdeckung wie in Abbildung C gezeigt mit dem Schlitz (20) im Hauptgehäuse übereinstimmt. Drehen Sie den Verriegelungsknopf für die Schwertjustierung (8) im Uhrzeigersinn, bis er fest sitzt, und lösen Sie dann den Knopf (8) um eine volle Umdrehung, damit die Sägekette richtig gespannt werden kann.
- ◆ Folgen Sie den Anweisungen zum „Einstellen der Sägekettenspannung“ im nächsten Abschnitt.

Einstellen der Sägekettenspannung

Warnung! Scharfe Sägekette. Tragen Sie beim Umgang mit der Sägekette immer Schutzhandschuhe. Die Sägekette ist scharf und kann auch in ruhendem Zustand zu Schnittverletzungen führen.

Warnung! Scharfe, bewegliche Sägekette. Um versehentlichen Betrieb zu verhindern, stellen Sie sicher, dass der Stecker abgezogen wurde, bevor Sie die folgenden Schritte ausführen. Eine Nichtbeachtung kann zu ernsthaften Verletzungen führen.

- ◆ Platzieren Sie die Säge auf einer festen Oberfläche und überprüfen Sie dann die Spannung der Sägekette (5). Die Kette ist richtig gespannt, wenn sie sich mit wenig Kraftaufwand mit Mittelfinger und Daumen ca. 3mm vom Führungsschwert (4) abheben lässt, siehe Abbildung D.
- ◆ Zum Einstellen der Sägekettenspannung lösen Sie den Verriegelungsknopf für die Schwertjustierung (8) und drehen Sie das Sägekettenspannrad (7) in Richtung der Oberseite der Säge, um die Spannung zu erhöhen, siehe Abbildung E. Ziehen Sie den Verriegelungsknopf für die Schwertjustierung fest, nachdem Sie sichergestellt haben, dass die Sägekette (5) fest um das Führungsschwert (4) sitzt.
- ◆ Die Sägekette muss ohne durchzuhängen an der Unterseite des Führungsschwerts anliegen, siehe Abbildung F.
- ◆ Sobald die Sägekettenspannung korrekt ist, ziehen Sie den Verriegelungsknopf für die Schwertjustierung fest.
- ◆ Überspannen Sie die Sägekette nicht. Dies würde den Verschleiß erhöhen und die Lebensdauer von Schwert und Sägekette verkürzen.
- ◆ Ist die Sägekette neu, überprüfen Sie die Spannung während der ersten 2 Betriebsstunden häufiger (nach dem Ziehen des Netzsteckers), da sich eine neue Sägekette etwas dehnt.

Ersetzen der Sägekette

Warnung! Scharfe Sägekette. Tragen Sie beim Umgang mit der Sägekette immer Schutzhandschuhe. Die Sägekette ist scharf und kann auch in ruhendem Zustand zu Schnittverletzungen führen.

Warnung! Scharfe, bewegliche Sägekette. Um versehentlichen Betrieb zu verhindern, stellen Sie sicher, dass der Stecker abgezogen wurde, bevor Sie die folgenden Schritte ausführen. Eine Nichtbeachtung kann zu ernsthaften Verletzungen führen.

- ◆ Drehen Sie den Verriegelungsknopf für die Schwertjustierung (8) gegen den Uhrzeigersinn, um die Spannung der Sägekette zu verringern.
- ◆ Nehmen Sie die Kettenabdeckung (6) wie in Abschnitt „Montage von Führungsschwert und Sägekette“ beschrieben ab.
- ◆ Heben Sie die abgenutzte Sägekette (5) aus der Nut im Führungsschwert (4).
- ◆ Legen Sie eine neue Sägekette in den Schlitz des Führungsschwerts. Stellen Sie dabei sicher, dass die Sägezähne in die richtige Richtung zeigen. Dazu muss der Pfeil auf der Sägekette mit der Darstellung auf der Kettenabdeckung (6) übereinstimmen, siehe Abbildung G.
- ◆ Befolgen Sie die vorherigen Anweisungen unter „Montage von Führungsschwert und Sägekette“ und „Einstellen der Sägekettenspannung“.

Automatisches Ölungssystem

Diese Kettensäge ist mit einem automatischen Ölungssystem ausgestattet, das Sägekette und Führungsschwert beständig mit Öl schmiert.

Die Ölpegelanzeige (13) zeigt den Ölpegel in der Kettensäge an. Wenn der Ölbehälter weniger als ein Viertel voll ist, trennen Sie die Kettensäge vom Strom und füllen ihn mit dem richtigen Öl auf.

Hinweis: Verwenden Sie für Sägeschwert und Sägekette hochwertiges Sägekettenöl, damit die Teile optimal geschmiert werden. Als vorübergehender Ersatz kann ein detergensfreies SAE30-Motoröl verwendet werden. Beim Beschneiden von Bäumen wird die Verwendung eines Sägeschwert- und Sägekettenöls auf pflanzlicher Basis empfohlen. Mineralöl wird nicht empfohlen, da es die Bäume schädigen kann. Verwenden Sie niemals Altöl oder sehr dickflüssiges Öl. Hierdurch kann die Kettensäge beschädigt werden.

Auffüllen des Ölbehälters

- ◆ Entfernen Sie den Ölbehälterdeckel (12) und füllen Sie den Behälter mit dem empfohlenen Sägekettenöl, bis der Ölpegel die oberste Markierung der Ölpegelanzeige (13) erreicht hat.
- ◆ Bringen Sie den Ölbehälterdeckel wieder an.
- ◆ Schalten Sie die Kettensäge regelmäßig aus und überprüfen Sie die Ölpegelanzeige, um sicherzustellen, dass Sägeschwert und Sägekette ordnungsgemäß geölt werden.

Anbringen eines Verlängerungskabels

In den Schaltergriff ist eine Halterung für das Verlängerungskabel (11) eingebaut. Sie verhindert, dass sich das Verlängerungskabel aus der Steckdose lösen kann.

- ◆ Nehmen Sie das Verlängerungskabel als Schlaufe zusammen und führen Sie diese in den Schlitz (21) am Ende des Griffbereichs ein, wie in Abbildung H gezeigt. Haken Sie die Schlaufe über der Kabelhalterung (11) ein. Ziehen Sie etwas am Kabel, um sicherzustellen, dass es fest in der Griffhalterung sitzt. Stecken Sie das Buchsenende des Verlängerungskabels mit dem Stromkabel (12) der Kettensäge.

Transportieren der Säge

- ◆ Decken Sie beim Transportieren der Säge das Führungsschwert (4) immer mit der Führungsschwertabdeckung (9) ab (Abbildung J).
- ◆ Bei Nichtgebrauch des Geräts sollte der vordere Handschutz (3) nach vorne geschoben werden, um das Gerät zu isolieren. Der Benutzer sollte sich mit aktiviertem Gerät nirgendwo hinbewegen.

Bedienung der Kettensäge

Warnung! Lesen und verstehen Sie alle Anweisungen. Wenn Sie die folgenden Anweisungen nicht beachten, kann es zu elektrischem Schlag, Feuer und/oder schweren Verletzungen kommen.

Ein- und Ausschalten

- ◆ Zum Einschalten des Werkzeugs drücken Sie die Sperrtaste (2) herunter und drücken den Auslöseschalter (1) wie in Abbildung H gezeigt herein. (Sobald das Werkzeug läuft, können Sie die Sperrtaste loslassen.)
- ◆ Zum Ausschalten des Gerätes lassen Sie den Auslöseschalter los.

Hinweis: Wenn sich der vordere Handschutz (3) nicht in Laufstellung befindet, kann das Gerät nicht eingeschaltet werden.

Einstellen des vorderen Handschutzes

- ◆ Vergewissern Sie sich, dass die Kettensäge vom Stromnetz getrennt ist.
- ◆ Ziehen Sie den vorderen Handschutz (3) wieder in die Laufstellung.
- ◆ Das Gerät ist nun betriebsbereit.

Funktionsweise des vorderen Handschutzes

Im Fall eines Rückschlags berührt Ihre linke Hand den vordere Handschutz (3) und schiebt diesen nach vorne in Richtung des Werkstücks. Das Gerät wird dann innerhalb von Sekundenbruchteilen angehalten.

Fällen (Abb. K, L und M)

Fällarbeiten sollten nur von erfahrenen Benutzern durchgeführt werden. Wenn der Baum in die falsche Richtung fällt oder splittet, oder wenn beschädigte/abgestorbene Äste herabfallen, kann dies Sach- und Personenschäden zur Folge haben.

Der Sicherheitsabstand zwischen dem zu fällenden Baum und Personen, Gebäuden oder anderen Gegenständen muss mindestens das 2 1/2-fache der Baumhöhe betragen. Personen, Gebäude oder Gegenstände innerhalb dieser Entfernung laufen Gefahr, vom gefällten Baum getroffen zu werden.

Vor dem Fällen eines Baums ist Folgendes zu beachten:

- ◆ Vergewissern Sie sich, dass das Fällen des Baums nicht durch lokale Verordnungen oder Gesetze eingeschränkt oder untersagt wird.
- ◆ Berücksichtigen Sie dabei alle Faktoren, die die Fallrichtung beeinflussen können:
 - ◆ gewünschte Fallrichtung
 - ◆ wuchsbedingte Neigung des Baums
 - ◆ Morschheit oder außergewöhnlich schwere Holzstruktur
 - ◆ Bäume und Hindernisse in der Umgebung (Stromleitungen, unterirdisch verlegte Leitungen usw.)
 - ◆ Windgeschwindigkeit und Windrichtung

Planen Sie einen sicheren Fluchtweg vor fallenden Bäumen oder Ästen.

Vergewissern Sie sich, dass der Fluchtweg frei von Hindernissen ist, die die Flucht behindern könnten.

Berücksichtigen Sie, dass feuchtes Gras und frisch geschnittene Baumrinde rutschig sind.

- ◆ Versuchen Sie nicht, einen Baum zu fällen, dessen Durchmesser die Schnittlänge der Kettensäge überschreitet.
- ◆ Sägen Sie auf der Seite der Fallrichtung eine Kerbe in den Stamm.
- ◆ Sägen Sie hierfür zunächst am Fuß des Stamms einen horizontalen Schnitt, der 1/5 bis 1/3 des Stammdurchmessers beträgt (Abb. K).
- ◆ Sägen Sie darüber in einem Winkel von etwa 45° den zweiten Schnitt bis zur horizontalen Kerblinie.
- ◆ Sägen Sie auf der anderen Seite des Baums etwa 25 bis 50 mm über der horizontalen Kerblinie den horizontalen Fällschnitt (Abb. L). (fig. L). Schneiden Sie nicht bis zur Kerbe durch. Andernfalls besteht die Gefahr, dass der Baum nicht in die gewünschte Richtung fällt.
- ◆ Treiben Sie einen oder mehrere Keile in den Fällschnitt, um den gerichteten Fall des Baums zu unterstützen (Abb. M).

Schneiden von Ästen

Vergewissern Sie sich, dass das Beschneiden von Ästen nicht durch lokale Verordnungen oder Gesetze eingeschränkt oder untersagt wird. Das Schneiden von Ästen sollte nur von erfahrenen Personen durchgeführt werden, da das Risiko eines Rückschlags oder des Einklemmens der Sägekette relativ hoch ist.

Berücksichtigen Sie vor Beginn der Arbeit alle Faktoren, die die Fallrichtung beeinflussen könnten. Hierzu gehören:

- ◆ die Länge und das Gewicht des zu schneidenden Asts
- ◆ Morschheit oder außergewöhnlich schwere Holzstruktur
- ◆ Bäume und Hindernisse in der Umgebung (z. B. Stromleitungen)
- ◆ Windgeschwindigkeit und Windrichtung
- ◆ die Verflechtung mit anderen Ästen

Achten Sie auf einen guten Zugang zum Ast, und berücksichtigen Sie die Fallrichtung. Äste haben die Tendenz, zum Baumstamm zu schwingen. Gefährdet sind neben dem Bediener der Kettensäge alle Personen und Gegenstände unterhalb des Astes.

- ◆ Um ein Splittern zu verhindern, wird der Äst zunächst bis zu einem Drittel seines Durchmessers von unten eingesägt.
- ◆ Danach erfolgt ein Schnitt von oben, bis der Ast durchtrennt ist.

Sägen von Brennholz (Abb. N, O und P)

Wie der Schnitt ausgeführt werden sollte, hängt davon ab, wie das Holzstück gestützt wird. Verwenden Sie nach Möglichkeit einen Sägebock.

Beginnen Sie einen Schnitt immer mit laufender Kette und den Anschlagkrallen (22) am Holz (Abb. N). Führen Sie den Schnitt dann in einer Kippbewegung nach unten durch das Holzstück.

Holz ist entlang der gesamten Länge abgestützt:

- ◆ Führen Sie einen Abwärtsschnitt durch. Achten Sie darauf, dass die Kette nicht mit dem Boden in Berührung kommt, da sie hierdurch schnell stumpf wird.

Holz ist an beiden Enden abgestützt:

- ◆ Schneiden Sie zunächst ein Drittel nach unten, um ein Splittern zu verhindern. Schneiden Sie dann von unten nach oben in Richtung des ersten Schneidspalts.

Holz ist an einem Ende abgestützt:

- ◆ Schneiden Sie zunächst ein Drittel nach oben, und anschließend nach unten, um ein Splittern zu verhindern.

Bei Sägearbeiten an einem Hang:

- ◆ Stehen Sie immer auf der Bergseite.

Beim Sägen eines auf dem Boden liegenden Holzstücks (Abb. O):

- ◆ Sichern Sie das Holzstück mit Hilfe von Klötzen oder Keilen. Weder der Bediener noch eine andere Person dürfen das zu schneidende Holzstück fixieren, indem sie sich darauf setzen oder stellen. Achten Sie darauf, dass die Kette nicht den Boden berührt.

Bei Verwendung eines Sägebocks (Abb. P):

Die Verwendung eines Sägebocks wird dringend empfohlen.

- ◆ Bringen Sie das zu schneidende Holzstück in eine stabile Position. Schneiden Sie immer außerhalb der Sägebockenden. Benutzen Sie gegebenenfalls eine Spannvorrichtung, um das Holzstück zu fixieren.

Entasten (Abb. Q)

Entfernen der Äste eines umgestürzten Baums. Lassen Sie beim Entasten dickere untere Äste stehen, um den Stamm vom Boden abzuhalten. Entfernen Sie kleine Äste mit einem Schnitt. Unter Spannung stehende Äste sollten von der Unterseite des Astes nach oben geschnitten werden, um ein Einklemmen der Kettensäge zu vermeiden. Sägen Sie Äste von der gegenüberliegenden Seite aus ab. Der Baumstamm befindet sich dabei zwischen Ihnen und der Säge. Sägen Sie niemals mit der Säge zwischen Ihren Beinen, und stehen Sie niemals mit gespreizten Beinen über dem zu sägenden Ast.

Fehlerbehebung

Problem	Mögliche Ursache	Mögliche Lösung
Das Gerät startet nicht	Die Verriegelung ist nicht gedrückt.	Drücken Sie die Verriegelung.
	Der vordere Handschutz befindet sich in der Bremsstellung	Stellen Sie den vorderen Handschutz ein
	Defekte Sicherung	Ersetzen Sie die Sicherung.
	Aktivierter Fehlerstromschutzschalter	Überprüfen Sie den Fehlerstromschutzschalter.
	Netzkabel nicht verbunden	Überprüfen Sie die den Netzanschluss.
Die Sägekette kommt beim Ausschalten des Geräts nicht innerhalb von 2 Sekunden zum Stillstand	Sägekettenspannung zu niedrig	Überprüfen Sie die Spannung der Sägekette
Schwert/Sägekette heiß/raucht	Öltank leer	Überprüfen Sie den Füllstand des Tanks.
	Ölöffnung am Sägekettenschwert verstopft	Reinigen Sie die Ölöffnungen und die Nut um die Kante des Sägekettenschwerts.

Problem	Mögliche Ursache	Mögliche Lösung
Schwert/Sägekette heiß/raucht	Sägekettenspannung zu hoch	Überprüfen Sie die Spannung der Sägekette
	Kettenradnase am Führungsschwert muss geschmiert werden	Ölen Sie die Kettenradnase.
Schnittleistung der Kettensäge niedrig	Sägekette zeigt nach hinten	Prüfen/ändern Sie die Laufrichtung der Sägekette.
	Sägekette ist stumpf	Schärfen oder ersetzen Sie die Sägekette
Kettensäge verbraucht kein Öl	Tank verschmutzt	Ersetzen Sie das Öl im Tank.
	Ölöffnung im Deckel verstopft	Reinigen Sie die Öffnung.
	Sägekettenschwert verschmutzt	Entfernen Sie Verschmutzungen vom Sägekettenschwert und reinigen Sie dieses.
	Ölauslass verschmutzt	Entfernen Sie die Verschmutzung

Wartung

Eine regelmäßige Wartung stellt eine lange Lebensdauer des Gerätes sicher. Wir empfehlen, folgende Kontrollen regelmäßig durchzuführen.

Warnung! Vor Wartungs- oder Reinigungsarbeiten am Gerät:

- ◆ Schalten Sie das Gerät aus, und ziehen Sie den Netzstecker aus der Steckdose.

Ölpegel

Der Pegel im Behälter darf eine Viertelfüllung nicht unterschreiten.

Sägekette und Führungsschwert (Abb. F)

- ◆ Nehmen Sie nach einigen Stunden Gebrauch und vor dem Lagern das Führungsschwert (4) und die Kette (5) ab, und reinigen Sie die Teile gründlich.
- ◆ Stellen Sie sicher, dass der Kettenschutz sauber und frei von Ablagerungen ist.

Warnung! Überdrehen Sie die Schraube nicht.

- ◆ Ölen Sie die Kettenradnase durch die Kettenrad-Schmieröffnung. Dadurch ist eine gleichmäßige Abnutzung entlang der Führungsschwertschienen gewährleistet.

Schärfen der Sägekette

Um eine optimale Schneidleistung zu erhalten, muss die Sägekette regelmäßig geschärft werden.

Erneuern einer verschlissenen Kette

Austauschketten sind über den Fachhandel oder bei einer BLACK+DECKER Vertretung erhältlich. Verwenden Sie ausschließlich Originalersatzteile.

Ersatzsägekette:

BECS1835 35cm-Kette A6235CS

BECS2040 40cm-Kette A6240CS

BECS2245 45cm-Kette A6245CS

Schärfe der Sägekette

Die Zähne der Kette werden sofort stumpf, wenn sie beim Sägen den Boden oder einen Nagel berühren.

Kettenspannung

Überprüfen Sie regelmäßig die Spannung der Kette.

Was ist zu tun, wenn die Kettensäge repariert werden muss?

Ihre Kettensäge erfüllt alle einschlägigen Sicherheitsbestimmungen. Reparaturen sind nur von autorisierten Fachkräften und mit Originalersatzteilen vorzunehmen. Andernfalls besteht Unfall- und Verletzungsgefahr. Bewahren Sie diese Anleitung an einem sicheren Ort auf.

Austausch des Netzsteckers (nur GB und Irland)

Wenn ein neuer Netzstecker angebracht werden muss:

- ◆ Entsorgen Sie den alten Stecker auf sachgerechte Weise.
- ◆ Verbinden Sie die braune Leitung mit dem spannungsführenden Anschluss des Steckers.
- ◆ Verbinden Sie die blaue Leitung mit dem neutralen Anschluss.

Warnung! Stellen Sie keine Verbindung mit dem Erdungsanschluss her. Befolgen Sie die Montageanweisungen, die mit hochwertigen Steckern mitgeliefert werden. Empfohlene Sicherung: 10 A.

Umweltschutz



Getrennte Entsorgung. Produkte und Akkus mit diesem Symbol dürfen nicht mit dem normalen Hausmüll entsorgt werden.

Produkte und Batterien enthalten Materialien, die zurückgewonnen oder recycelt werden können und die Nachfrage nach Rohstoffen reduzieren.

Bitte recyceln Sie Elektroprodukte und Akkus gemäß den lokalen Bestimmungen. Weitere Informationen finden Sie auf www.2helpU.com

Technische Daten

		BECS1835 Typ 1	BECS2040 Typ 1	BECS2245 Typ 1
Spannung	V _{ac}	230 V	230 V	230 V
Länge des Führungsschwerts	cm	35	40	46
Max. Länge des Führungsschwerts	mm	419	459	511
Sägekettengeschwindigkeit (Leerlauf)	m/ sm	14,5	14,5	14,5
Max. Schnittlänge	mm	319	368	407
Ölfüllmenge	ml	170	170	170
Gewicht (ohne Sägekette, Führungsschwert, Öl)	kg	4,1	4,1	4,3

BECS1835 Geräuschwert gemessen nach EN62841:

LpA (Schalldruck) 99 dB(A), Unsicherheitsfaktor (K) 3 dB(A)
LwA (Schalleistung) 109 dB(A), Unsicherheitsfaktor (K) 1,6 dB(A)

BECS1835 Gesamtvibration (Triax-Vektorsumme) gemäß EN 602841:

Vibrationsemissionswert (a_{hv}) = 3,8 m/s², Unsicherheitsfaktor (K) = 1,5 m/s²

BECS2040 Geräuschwert gemessen nach EN62841:

LpA (Schalldruck) 100 dB(A), Unsicherheitsfaktor (K) 3 dB(A)
LwA (Schalleistung) 110 dB(A), Unsicherheitsfaktor (K) 1,8 dB(A)

BECS2040 Gesamtvibration (Triax-Vektorsumme) gemäß EN 602841:

Vibrationsemissionswert (a_{hv}) = 5,2 m/s², Unsicherheitsfaktor (K) = 1,5 m/s²

BECS2245 Geräuschwert gemessen nach EN62841:

LpA (Schalldruck) 98 dB(A), Unsicherheitsfaktor (K) 3 dB(A)
LwA (Schalleistung) 108 dB(A), Unsicherheitsfaktor (K) 1,6 dB(A)

BECS2245 Gesamtvibration (Triax-Vektorsumme) gemäß EN 602841:

Vibrationsemissionswert (a_{hv}) = 4,1 m/s², Unsicherheitsfaktor (K) = 1,5 m/s²

EU-Konformitätserklärung
MASCHINENRICHTLINIE

BECS1835, BECS2040, BECS2245 Kettensäge

Black & Decker erklärt, dass die unter „Technische Daten“
beschriebenen Geräte übereinstimmen mit: 2006/42/EG,
EN 62841-1:2015+A11:2022, EN 62841-4-1:2020
2000/14/EC, Anhang V

BECS2040: LWA (gemessener Schalleistungspegel) 110 dB(A),
Unsicherheitsfaktor (K) = 1,8 dB (A),
LWA (garantierte Schalleistung) 112 dB(A)
BECS1835: Gemessener Schalleistungswert LWA: 109
dB(A). K = 1,6 dB(A).

Garantierter Schalleistungspegel LWA: 111 dB(A).

BECS2245: Gemessener Schalleistungswert LWA: 108
dB(A). K = 1,6 dB(A).

Garantierter Schalleistungspegel LWA: 110 dB(A)

Diese Produkte erfüllen auch die Richtlinie
2014/30/EU und 2011/65/EU.

Weitere Informationen erhalten Sie von Black & Decker unter
der folgenden Adresse. Diese befindet sich auch auf der
Rückseite dieser Anleitung.

Der Unterzeichnete ist verantwortlich für die
Zusammenstellung des technischen Dossiers und gibt diese
Erklärung im Namen von Black & Decker ab.

Patrick Diepenbach

Patrick Diepenbach
General Manager, Benelux
Black & Decker,
Egide Walschaertsstraat 14-18
2800 Mechelen, Belgien
17/02/2023

Garantie

Black & Decker vertraut auf die Qualität der eigenen Geräte
und bietet dem Käufer eine außergewöhnliche Garantie von
24 Monaten ab Kaufdatum.

Diese Garantie versteht sich unbeschadet der gesetzlichen
Gewährleistungsansprüche und schränkt diese keinesfalls ein.
Diese Garantie gilt innerhalb der Staatsgebiete der
Mitgliedstaaten der Europäischen Union, der Europäischen
Freihandelszone und des Vereinigten Königreichs.
Zur Inanspruchnahme dieser Garantie muss sie den
allgemeinen Geschäftsbedingungen von Black & Decker
entsprechen und dem Verkäufer bzw. der Vertragswerkstatt
ist ein Kaufnachweis vorzulegen. Die Bedingungen für die
2-jährige Garantie von Black & Decker und den Standort Ihrer
nächstgelegenen Vertragswerkstatt finden Sie im Internet
unter www.2helpU.com oder indem Sie sich an die lokale
Black & Decker-Niederlassung wenden, deren Adresse Sie in
dieser Anleitung finden.

Ihr neues BLACK+DECKER-Produkt können Sie auf unserer
Website unter www.blackanddecker.de registrieren. Dort
erhalten Sie auch Informationen über neue Produkte und
Sonderangebote.

Utilisation prévue

Votre tronçonneuse BLACK+DECKER™ BECS1835, BECS2040, BECS2245 a été conçue pour l'abattage des arbres et le débitage des bûches. Cet outil est destiné à un usage grand public uniquement.

Consignes de sécurité

Avertissements de sécurité générale propres aux outils électriques



Avertissement ! Veuillez lire tous les avertissements de sécurité, toutes les instructions, les illustrations et les spécifications fournies avec cet outil électrique. Le non-respect de toutes les instructions listées ci-dessous peut entraîner des décharges électriques, des incendies et/ou de graves blessures.

Conservez tous les avertissements et toutes les instructions afin de pouvoir vous y référer dans le futur. Le terme "outil électrique" mentionné dans tous les avertissements listés ci-dessous fait référence à vos outils électriques branchés sur secteur (avec câble) ou fonctionnant sur pile ou batterie (sans fil).

1. Sécurité de la zone de travail

- a. **Maintenez la zone de travail propre et bien éclairée.** Les zones sombres ou encombrées sont propices aux accidents.
- b. **N'utilisez pas d'outils électriques dans un environnement présentant des risques d'explosion ou en présence de liquides, gaz ou poussières inflammables.** Les outils électriques créent des étincelles qui peuvent enflammer les poussières et les fumées.
- c. **Maintenez les enfants et les autres personnes à l'écart quand vous utilisez un outil électrique.** Toute distraction peut vous faire perdre le contrôle de l'outil.

2. Sécurité électrique

- a. **Les prises des outils électriques doivent correspondre à la prise de courant murale. Ne modifiez jamais la prise d'aucune sorte. N'utilisez aucun adaptateur avec des outils électriques reliés à la terre.** L'utilisation de prises d'origine et de prises murales appropriées permet de réduire le risque de décharge électrique.
- b. **Évitez tout contact physique avec des surfaces reliées à la terre comme des tuyaux, des radiateurs, des fours et des réfrigérateurs par exemple.** Il y a sinon un risque accru de décharge électrique si votre corps est lui-même relié à la terre.
- c. **N'exposez pas les outils électriques à la pluie, ni à l'humidité.** Le risque de décharge électrique augmente si de l'eau pénètre dans un outil électrique.

- d. **Ne tirez pas sur le cordon d'alimentation. N'utilisez jamais le cordon pour transporter, tirer ou débrancher l'outil électrique. Maintenez le cordon à l'écart de la chaleur, des substances grasses, des bords tranchants ou des pièces mobiles.** Les cordons endommagés ou emmêlés augmentent les risques de décharges électriques.
 - e. **Si vous utilisez un outil électrique à l'extérieur, utilisez une rallonge homologuée pour les travaux en extérieur.** L'utilisation d'une rallonge électrique homologuée pour les travaux en extérieur réduit le risque de décharge électrique.
 - f. **Si l'utilisation d'un outil électrique dans un endroit humide est inévitable, utilisez une alimentation électrique protégée par un disjoncteur différentiel à courant résiduel (DDR).** L'utilisation d'un DDR réduit le risque de décharge électrique.
- #### 3. Sécurité des personnes
- a. **Restez vigilant, surveillez ce que vous faites et faites preuve de bon sens lorsque vous utilisez un outil électrique. N'utilisez pas d'outils électriques si vous êtes fatigué ou sous l'influence de drogue, d'alcool ou de médicaments.** Tout moment d'inattention pendant l'utilisation d'un outil électrique peut engendrer de graves blessures.
 - b. **Portez des équipements de protection individuelle. Portez toujours une protection oculaire.** Les équipements de protection comme les masques à poussière, les chaussures de sécurité antidérapantes, les casques ou les protections auditives réduisent le risque de blessures s'ils sont utilisés à bon escient.
 - c. **Empêchez tout démarrage intempestif. Assurez-vous que l'interrupteur est sur la position Arrêt avant de raccorder l'outil à l'alimentation électrique et/ou au bloc-batterie ou avant de ramasser ou de transporter l'outil.** Le fait de transporter les outils électriques le doigt sur l'interrupteur ou d'alimenter les outils électriques dont l'interrupteur est déjà en position de marche augmente le risque d'accidents.
 - d. **Retirez toutes les clés ou pinces de réglage avant de mettre l'outil en marche.** Une clé ou une pince restée fixée sur une pièce rotative de l'outil électrique peut engendrer des blessures.
 - e. **Ne vous penchez pas. Gardez les pieds bien ancrés au sol et conservez votre équilibre en permanence.** Cela permet de mieux maîtriser l'outil électrique en cas de situations imprévues.
 - f. **Portez des vêtements appropriés. Ne portez aucuns vêtements amples, ni bijoux. Gardez vos cheveux, vos vêtements et vos gants loin des pièces mobiles.** Les vêtements amples, les bijoux ou les cheveux longs peuvent être happés par les pièces mobiles.

- g. Si vous disposez de dispositifs pour le raccordement d'un extracteur de poussière ou d'installations pour la récupération, assurez-vous qu'ils sont correctement raccordés et utilisés. L'utilisation de dispositifs récupérateurs de poussières réduit les risques liés aux poussières.
- h. Ne pensez pas être familiarisé avec l'outil après l'avoir utilisé à de nombreuses reprises, au point de ne plus rester vigilant et d'en oublier les consignes de sécurité. Toute action imprudente peut engendrer de graves blessures en une fraction de seconde.

4. Utiliser et entretenir un outil électrique

- a. Respectez la capacité de l'outil. Utilisez l'outil approprié, adapté pour le travail à réaliser. Un outil adapté fonctionne mieux, de façon plus sûre et à la cadence pour laquelle il a été conçu.
- b. N'utilisez pas l'outil électrique si son interrupteur ne permet pas de l'allumer ou de l'éteindre. Tout outil électrique qui ne peut plus être commandé par son interrupteur est dangereux et il doit être réparé.
- c. Débranchez la prise de courant et/ou retirez le bloc-batterie de l'outil électrique avant d'effectuer tout réglage, de changer un accessoire ou de ranger l'outil électrique. Ces mesures de sécurité préventives réduisent le risque de démarrage accidentel de l'outil électrique.
- d. Rangez les outils électriques non utilisés hors de portée des enfants et ne laissez aucune personne ne connaissant pas ces outils ou leurs instructions d'utilisation les faire fonctionner.

Les outils électriques peuvent être dangereux entre des mains inexpérimentées.

- e. Entretenez vos outils électriques. Vérifiez que les pièces mobiles sont alignées correctement et qu'elles ne sont pas coincées. Vérifiez qu'aucune pièce n'est cassée et contrôlez l'absence de toute autre condition qui pourrait nuire au bon fonctionnement de l'outil. En cas de dommage, faites réparer l'outil électrique avant de le réutiliser. De nombreux accidents sont provoqués par des outils électriques mal entretenus.
- f. Maintenez les organes de coupe affûtés et propres. Des organes de coupe bien entretenus et dont le tranchant est affûté sont moins susceptibles de rester coincés et ils sont plus faciles à contrôler.
- g. Utilisez l'outil électrique, les accessoires et les embouts d'outils conformément à ces instructions, en tenant compte des conditions de travail et de la tâche à effectuer. L'utilisation d'un outil électrique à d'autres fins que celles pour lesquelles il a été prévu peut entraîner des situations dangereuses.

- h. Veillez à ce que les poignées et les surfaces de préhension restent sèches et propres, sans trace d'huile ou de graisse. Des poignées et des surfaces de préhension glissantes ne permettent pas de manipuler et de contrôler l'outil correctement en cas de situations inattendues.

5. Révision/Réparation

- a. Ne faites réviser/réparer votre outil électrique que par un réparateur qualifié qui n'utilise que des pièces de rechange d'origine. Cela permet de garantir la sûreté de l'outil électrique.

Avertissements de sécurité générale propres aux tronçonneuses



Avertissement ! Consignes de sécurité supplémentaires pour tronçonneuses

- ◆ Gardez toutes les parties de votre corps loin de la chaîne lorsque la tronçonneuse est en marche. Avant de démarrer la tronçonneuse, veillez à ce que la chaîne ne soit en contact avec aucun objet. Tout moment d'inattention pendant l'utilisation peut entraîner l'enchevêtrement de vos vêtements ou d'une partie de votre corps dans la tronçonneuse.
- ◆ Tenez toujours la tronçonneuse avec votre main droite sur la poignée arrière et votre main gauche sur la poignée avant. Ne tenez jamais la tronçonneuse en inversant la position des mains car cela augmenterait le risque de blessure.
- ◆ Ne tenez la tronçonneuse que par ses surfaces de préhension isolées car il est possible que la chaîne entre en contact avec des fils cachés. Tout contact d'une chaîne de tronçonneuse avec un fil sous tension peut mettre les parties métalliques exposées de la tronçonneuse sous tension et provoquer une décharge électrique à l'utilisateur.
- ◆ Portez une protection oculaire. Des équipements de protection supplémentaires pour les oreilles, la tête, les mains, les jambes et les pieds sont recommandés. Des équipements de protection appropriés permettent de réduire les éventuelles blessures dues à la projection de débris ou au contact accidentel avec la chaîne.
- ◆ N'utilisez pas de tronçonneuse si vous êtes dans un arbre, sur une échelle, sur un toit ou sur tout support instable. L'utilisation d'une tronçonneuse dans ces conditions peut occasionner de graves blessures.
- ◆ Veillez à toujours adopter une posture stable et à n'utiliser la tronçonneuse qu'à condition d'être sur une surface fixe, sécurisée et de niveau. Les surfaces glissantes ou instables, comme les échelles par exemple, peuvent provoquer une perte d'équilibre ou la perte de contrôle de la tronçonneuse.

- ◆ **Si vous sciez une branche comprimée, prenez garde à l'effet ressort (son redressement soudain).** Lorsque le bois reprend sa position, la branche peut frapper l'opérateur et/ou lui faire perdre le contrôle de la tronçonneuse.
 - ◆ **Soyez extrêmement vigilant lorsque vous coupez des buissons et des arbustes.** Les tiges peuvent s'accrocher dans la chaîne et être éjectées vers vous ou vous faire perdre l'équilibre.
 - ◆ **Transportez la tronçonneuse par la poignée avant, éteinte et éloignée de votre corps.**
Pour transporter ou ranger la tronçonneuse, installez toujours le cache du guide-chaîne. La manipulation appropriée de la tronçonneuse réduit les risques de contact accidentel avec la chaîne en mouvement.
 - ◆ **Respectez les instructions liées à la lubrification, à la tension de la chaîne ainsi que celles liées au changement du guide-chaîne et de la chaîne.** Une chaîne mal tendue ou mal graissée peut soit se casser, soit provoquer un rebond.
 - ◆ **Ne sciez que du bois. N'utilisez la tronçonneuse que pour les tâches auxquelles elle est destinée. N'utilisez par exemple pas la tronçonneuse pour scier du métal, du plastique, des matériaux de maçonnerie ou des matériaux de construction autre que le bois.** L'utilisation de la tronçonneuse à des fins autres que celles auxquelles elle est destinée peut engendrer des situations dangereuses.
 - ◆ **N'essayez pas d'abattre un arbre avant d'avoir bien compris les risques encourus et la façon de les éviter.** L'abattage d'un arbre peut occasionner de graves blessures à l'opérateur ou aux personnes à proximité.
 - ◆ **Respectez toutes les consignes pour supprimer un bourrage, ranger ou réviser/entretenir la tronçonneuse. Veillez à ce que l'outil soit éteint et débranché de l'alimentation électrique.** La mise en marche accidentelle de la tronçonneuse pendant la suppression d'un bourrage ou une opération d'entretien peut occasionner de graves blessures.
 - ◆ Portez des vêtements ajustés et des équipements de protection comme un casque avec visière/écran, des protections auditives, des chaussures de sécurité antidérapantes, un pantalon renforcé et de solides gants en cuir.
 - ◆ Veillez à ne pas vous placer sur la trajectoire de la chute des branches.
 - ◆ La distance de sécurité entre une branche à couper et les personnes, les bâtiments ou d'autres objets à proximité, doit être au moins égale à deux fois et demi la longueur de la branche. Les personnes, les bâtiments ou les objets plus proches que cette distance risquent d'être heurtés par la branche au moment de sa chute.
 - ◆ Prévoyez une zone de repli en fonction de la chute des branches. Assurez-vous qu'il n'y a aucun obstacle sur la voie de repli qui pourrait empêcher ou gêner vos déplacements. N'oubliez pas que l'herbe mouillée et l'écorce fraîchement coupée sont glissantes.
 - ◆ Assurez-vous de la présence d'une personne à proximité (tout en respectant les distances de sécurité) en cas d'accident.
 - ◆ N'utilisez pas cet outil en étant dans l'arbre, sur une échelle ou une surface instable.
 - ◆ Gardez les pieds bien ancrés au sol et conservez votre équilibre en permanence.
 - ◆ Tenez fermement l'outil à deux mains lorsque le moteur tourne.
 - ◆ Ne laissez jamais la chaîne en mouvement entrer en contact avec quoi que ce soit par le bout du guide-chaîne.
 - ◆ Ne commencez la coupe qu'une fois que la chaîne tourne à pleine vitesse.
 - ◆ N'essayez pas de réinsérer la chaîne dans une entaille existante. Faites toujours une nouvelle entaille.
 - ◆ Faites attention aux branches qui bougent ou aux autres forces qui pourraient refermer un trait de coupe et pincer ou entraver la chaîne.
 - ◆ Ne tentez pas de couper une branche ayant un diamètre supérieur à la longueur de coupe de la tronçonneuse.
 - ◆ Pour transporter et ranger l'outil, veillez à toujours remettre le fourreau sur la chaîne.
 - ◆ Gardez la chaîne bien affûtée et correctement tendue. Vérifiez régulièrement la tension de la chaîne.
 - ◆ Avant toute opération de réglage, d'entretien ou de maintenance, éteignez l'outil, débranchez l'alimentation électrique et laissez la chaîne s'immobiliser.
 - ◆ N'utilisez que des pièces de rechange et des accessoires d'origine.
 - ◆ Veillez à ce que les poignées restent sèches et propres, exemptes d'huile ou de graisse. Les poignées grasses sont glissantes ce qui entraîne une perte de contrôle.
 - ◆ Au cours de la vie du produit, la griffe peut devenir coupante. Manipulez-la avec précaution.
 - ◆ Pendant l'utilisation, la chaîne peut devenir très chaude, manipulez-la avec précaution.
- Causes et prévention des rebonds**
- Un rebond peut se produire si le nez ou la pointe du guide-chaîne touche un objet ou si le bois se referme et pince la chaîne dans le trait de coupe.
- Le contact de la pointe peut dans certains cas provoquer une brusque réaction inverse qui soulève le guide-chaîne et l'entraîne vers de l'utilisateur.
- Le pincement de la chaîne le long de la partie supérieure du guide-chaîne peut rapidement repousser le guide-chaîne vers l'utilisateur.

Ces réactions peuvent vous faire perdre le contrôle de la tronçonneuse, ce qui peut occasionner de graves blessures. Ne vous fiez pas uniquement aux dispositifs de sécurité intégrés à votre tronçonneuse. Vous devez, en utilisant la tronçonneuse, prendre plusieurs précautions afin d'éviter les accidents et les blessures.

Les rebonds sont le résultat d'une utilisation inappropriée de l'outil et/ou de conditions ou de procédures d'exécution incorrectes et ils peuvent être évités en prenant les précautions adéquates énoncées ci-dessous :

- ◆ **Maintenez fermement la tronçonneuse, pouces et doigts encerclant les poignées de la tronçonneuse. Avec les deux mains sur la tronçonneuse, placez votre corps et vos bras de manière à pouvoir résister à la force d'un rebond.** La force d'un rebond peut être contrôlée par l'utilisateur si les précautions nécessaires sont prises. Ne lâchez pas la tronçonneuse.
- ◆ **Ne vous penchez pas et ne sciez pas à une hauteur supérieure à celle de vos épaules.** Cela permet d'éviter le contact accidentel du bout de la chaîne et de mieux contrôler la tronçonneuse en cas de situations inattendues.
- ◆ **N'utilisez que des guide-chaînes et des chaînes de rechange spécifiés par le fabricant.** Le remplacement incorrect des guide-chaînes et des chaînes peut entraîner la rupture de la chaîne et/ou des rebonds.
- ◆ **Respectez les instructions du fabricant pour affûter et entretenir la chaîne.** La diminution de la hauteur de la jauge de profondeur, peut augmenter le risque de rebonds.

Recommandations pour la sécurité propres aux tronçonneuses

- ◆ Nous conseillons fortement aux novices d'obtenir des conseils pratiques sur l'utilisation de la tronçonneuse et sur les équipements de protection de la part d'un utilisateur expérimenté.
La première utilisation devrait se cantonner à la découpe de bûches sur un chevalet.
- ◆ Pour transporter la tronçonneuse, nous vous recommandons de la tenir, chaîne vers l'arrière.
- ◆ Prenez soin de votre tronçonneuse quand vous ne l'utilisez pas. Ne rangez pas votre tronçonneuse pour une longue période sans avoir d'abord retiré la chaîne et le guide-chaîne qui peuvent être conservés dans un bain d'huile. Rangez toutes les pièces de votre tronçonneuse dans un endroit sûr, au sec et hors de portée des enfants.
- ◆ Placez toujours le câble de sorte qu'il ne puisse pas être pris dans les branches ou autre chose pendant la découpe
- ◆ Nous vous recommandons de vidanger le réservoir d'huile avant de ranger la tronçonneuse.

- ◆ Faites attention à votre posture et prévoyez une voie de repli loin du point de chute de l'arbre abattu ou des branches coupées.
- ◆ Utilisez des cales pour contrôler l'abattage et éviter de plier le guide-chaîne et la chaîne dans le trait de coupe.
- ◆ Entretien de la chaîne. Assurez-vous que la chaîne est bien affûtée et bien ajustée sur le guide de chaîne. Veillez à ce que la chaîne et le guide-chaîne restent propres et bien graissés. Veillez à garder les poignées sèches et propres, exemptes d'huile ou de graisse.

Un rebond peut se produire si :

- ◆ Vous heurtez des branches ou d'autres objets accidentellement avec la pointe de la tronçonneuse lorsque la chaîne tourne.
- ◆ Vous heurtez du métal, du ciment ou tout autre matériau dur à proximité ou enfoui dans le bois.
- ◆ La chaîne est émoussée ou mal tendue.
- ◆ Vous sciez au-dessus de la hauteur de l'épaule.
- ◆ Vous faites preuve d'inattention en tenant ou guidant la tronçonneuse pendant la coupe.
- ◆ Vous vous penchez. Adoptez une posture stable, gardez votre équilibre en permanence et ne vous penchez pas.
- ◆ N'essayez pas de réinsérer la chaîne dans un trait de coupe existant. Cela pourrait provoquer un rebond. Recommencez une nouvelle coupe à chaque fois.
- ◆ Nous vous conseillons fortement de ne pas utiliser votre tronçonneuse si vous êtes dans un arbre, sur une échelle ou sur toute autre surface instable.
Si vous décidez de le faire, soyez conscient du fait que ces postures sont extrêmement dangereuses.
- ◆ Si vous sciez une branche comprimée, faites attention à l'effet "ressort" pour ne pas être touché au moment où la compression est relâchée.

Évitez de scier :

- ◆ Du bois préparé.
- ◆ Dans le sol.
- ◆ Les clôtures grillagées, les clous, etc.
- ◆ Des buissons ou des arbustes de petites tailles car les tiges fines peuvent s'accrocher dans la chaîne et être éjectées vers vous ou vous déséquilibrer.
- ◆ N'utilisez pas votre tronçonneuse au-dessus du niveau de vos épaules.
- ◆ Assurez-vous de la présence d'une personne à proximité (tout en respectant les distances de sécurité) en cas d'accident.
- ◆ Si vous devez toucher la chaîne pour une quelconque raison, veillez à bien avoir débranché la tronçonneuse.
- ◆ Le bruit émis par ce produit peut dépasser 80 dB(A).
Nous vous recommandons donc vivement de prendre les mesures appropriées pour vous protéger vos oreilles.

Risques résiduels

Certains risques résiduels autres que ceux mentionnés dans les avertissements sur la sécurité peuvent survenir en utilisant l'outil. Ces risques peuvent être dus à une utilisation incorrecte, une utilisation prolongée, etc.

Malgré le respect de toutes les réglementations pertinentes sur la sécurité et la mise en œuvre de dispositifs de sécurité, certains risques résiduels ne peuvent pas être évités. Ils comprennent :

- ◆ Les blessures dues au contact avec des pièces mobiles/ en rotation.
- ◆ Les blessures dues au changement de pièces, de lames ou d'accessoires.
- ◆ Les blessures dues à l'utilisation prolongée d'un outil. Lorsque vous utilisez un outil quel qu'il soit pendant de longues périodes, veillez à faire des pauses régulières.
- ◆ Les troubles de l'ouïe.
- ◆ Les risques pour la santé dus à l'inhalation des poussières émises pendant l'utilisation de l'outil (exemple : travail avec du bois, surtout le chêne, le hêtre et les panneaux en MDF).

Vibrations

Les valeurs déclarées pour les vibrations et le bruit émis, mentionnées dans les caractéristiques techniques et la déclaration de conformité, ont été mesurées selon une méthode de test standard fournie par la norme EN 62841 et elles peuvent être utilisées pour comparer un outil à un autre. Les valeurs déclarées pour les vibrations et le bruit émis peuvent aussi être utilisées pour une évaluation préliminaire à l'exposition.

Avertissement ! En fonction de la manière dont l'outil est utilisé, la valeur réelle des vibrations et du bruit émis pendant son utilisation peut différer de la valeur déclarée. Le niveau des vibrations peut dépasser le niveau déclaré.

Quand l'exposition aux vibrations est évaluée afin de déterminer les mesures de sécurité requises par la norme 2002/44/CE pour protéger les personnes utilisant régulièrement des outils électriques, l'estimation de l'exposition aux vibrations doit tenir compte des conditions réelles d'utilisation et de la façon dont l'outil est utilisé. Il faut également tenir compte de toutes les composantes du cycle de fonctionnement comme les durées pendant lesquelles l'outil est arrêté et quand il fonctionne au ralenti, ainsi que la durée du déclenchement.

Étiquettes apposées sur l'outil

Les pictogrammes qui suivent figurent sur l'outil avec le code date :



Avertissement ! Afin de réduire le risque de blessures, l'utilisateur doit lire la notice d'utilisation.



N'exposez pas votre tronçonneuse à la pluie ou à l'humidité.



Veillez à toujours porter un casque, des lunettes de protection et des protections auditives.



Veillez à toujours porter des gants.



Portez toujours des chaussures de sécurité anti-dérapantes.



Tenez toujours la tronçonneuse à deux mains.



N'utilisez pas la tronçonneuse d'une seule main.



Faites attention aux rebonds de la tronçonneuse et évitez tout contact avec le bout du guide-chaîne.



Attention à la chute d'objets. Gardez à distance les personnes à proximité.



Avertissement ! Ne touchez pas la chaîne là où elle éjecte les copeaux.



Sens de rotation de la chaîne.



Débranchez immédiatement le câble de la prise de courant s'il est endommagé ou sectionné.



Puissance sonore garantie selon la Directive 2000/14/CE.



Puissance sonore garantie selon la Directive 2000/14/CE.



Puissance sonore garantie selon la Directive 2000/14/CE.

Sécurité électrique



Cet outil est doublement isolé et il ne nécessite donc aucune liaison à la terre. Assurez-vous toujours que l'alimentation électrique correspond à la tension mentionnée sur la plaque signalétique.

- ◆ Si le câble d'alimentation est endommagé, il doit être remplacé par le fabricant ou par un centre d'assistance BLACK+DECKER agréé afin d'éviter tout accident.

Utiliser une rallonge

- ◆ La rallonge utilisée doit être conforme aux normes et doit s'adapter exactement à la prise de cet outil (voir les données techniques). La rallonge doit être homologuée pour une utilisation en extérieur et marquée en conséquence. Une rallonge de 30 m, H07RN-F 2 X 1,5 mm² peut être utilisée sans perte de puissance. Avant l'utilisation, vérifiez la rallonge et assurez-vous qu'elle ne présente aucun signe de dommage, d'usure ou de vieillissement. Remplacez la rallonge si elle est endommagée ou défectueuse. Si vous utilisez un enrouleur de câble, déroulez toujours le câble complètement.

Chutes de tension

- ◆ Dans certaines circonstances, ce produit peut provoquer des chutes de tension au moment du démarrage.
- ◆ Elles peuvent avoir des répercussions sur les autres appareils. Par exemple, l'éclairage électrique peut temporairement être plus faible.
- ◆ Le cas échéant, contactez les fournisseurs et distributeurs d'électricité, pour déterminer si l'impédance de l'alimentation est inférieure à 0.159 ohms. Il est peu probable que des perturbations se produisent dans cette condition.

Protection contre les chocs électriques

- ◆ Évitez de toucher des surfaces reliées à la terre (par exemple, les grillages métalliques, les lampadaires, etc.). Utilisez un dispositif de courant résiduel à grande sensibilité (30 mA/30mS) (RCD) pour améliorer la sécurité électrique.



Avertissement ! L'utilisation d'un dispositif RCD ou autre disjoncteur ne dispense pas l'utilisateur d'appliquer les consignes de sécurité et de travailler dans des conditions sûres, comme indiqué dans ce manuel de l'utilisateur.

Caractéristiques

1. Interrupteur Marche/Arrêt
2. Bouton de verrouillage (non visible)
3. Protège-main avant

4. Guide-chaîne
5. Chaîne
6. Carter de chaîne
7. Molette de réglage de la tension de la chaîne
8. Bouton de verrouillage du guide-chaîne
9. Fourreau
10. Câble électrique
11. Retenue de câble
12. Bouchon d'huile
13. Jauge à huile
14. Griffes

Assemblage



Avertissement ! Portez toujours des gants de protection quand vous effectuez des travaux sur votre tronçonneuse.



Avertissement ! Éteignez l'outil et débranchez l'alimentation électrique avant toute opération d'assemblage ou de maintenance sur les outils électriques.



Avertissement ! Retirez le lien qui attache la chaîne au guide-chaîne avant l'assemblage.

Graisser la chaîne

Vous devez systématiquement le faire quand vous utilisez un chaîne neuve (5) pour la première fois. Prenez la chaîne (5) neuve et trempez-la dans un bain d'huile de chaîne pendant au moins une heure avant de l'utiliser. Utilisez de l'huile de chaîne BLACK+DECKER.

Nous vous recommandons de n'utiliser que de l'huile BLACK+ DECKER pendant toute la durée de vie de votre tronçonneuse, car des mélanges d'huiles différentes peuvent entraîner une dégradation de l'huile qui pourrait considérablement réduire la durée de vie de la chaîne et occasionner d'autres risques.

N'utilisez jamais d'huile usagée, épaisse ou d'huile de machine à coudre peu épaisse. Cela pourrait endommager votre tronçonneuse.

Installer le guide-chaîne et la chaîne. (fig. A - G)

- ◆ Placez la tronçonneuse sur une surface stable.
- ◆ Tournez le bouton de verrouillage du guide-chaîne (8) dans le sens inverse des aiguilles d'une montre, comme illustré par la figure A, pour retirer le carter le chaîne (6).
- ◆ Avec des gants, prenez la chaîne (5) et entourez le guide-chaîne (4) avec, en veillant à ce que les dents pointent dans le bon sens (consultez la figure G).
- ◆ Veillez à ce que la chaîne soit bien installée dans son logement, tout le tour du guide-chaîne.

- ◆ Placez la chaîne autour du pignon (16) tout en alignant la fente dans le guide-chaîne avec le boulon (17) à la base de l'outil et la goupille de tension de la chaîne (18), comme illustré par la figure B.

Remarque : Il se peut que vous ayez à régler la position de la goupille de tension de la chaîne (18) pour qu'elle s'engage correctement dans la fente du guide-chaîne, en tournant la molette de tension de la chaîne (7).

- ◆ Une fois en place, tournez la molette de tension de la chaîne (7) à la main pour pré-serrer l'ensemble et le tenir en place.
- ◆ Tout en gardant le guide-chaîne immobile, réinstallez le cache-pignon (6). Veillez à ce que la patte (19) sur le cache soit aligné avec la fente (20) dans le boîtier principal, comme illustré par la figure C. Tournez le bouton de verrouillage du guide-chaîne (8) dans le sens des aiguilles d'une montre jusqu'à ce qu'il soit bien ajusté, puis desserrez le bouton (8) d'un tour complet, pour que la chaîne soit correctement tendue.
- ◆ Suivez les consignes "Régler la tension de la chaîne" de la section qui suit.

Régler la tension de la chaîne

Avertissement ! Chaîne tranchante. Veillez à toujours porter des gants de protection pour manipuler la chaîne. La chaîne est tranchante et elle peut vous couper, même à l'arrêt.

Avertissement ! Chaîne tranchante en mouvement. Afin d'éviter toute mise en marche accidentelle, assurez-vous que l'outil est débranché avant de réaliser les opérations qui suivent. Le non-respect de cette consigne peut occasionner de graves blessures.

- ◆ Contrôlez la tension de la chaîne (5) alors que la tronçonneuse repose sur une surface dure. La tension est correcte lorsque la chaîne revient en place après avoir été légèrement tirée de 3mm hors du guide-chaîne (4) avec le majeur et le pouce, comme illustré par la figure D.
- ◆ Pour régler la tension de la chaîne, desserrez le bouton de verrouillage du guide-chaîne (8), tournez la molette de tension de la chaîne (7) vers le haut de la scie pour augmenter la tension, comme illustré par la figure E. Serrez le bouton de verrouillage du guide-chaîne jusqu'à ce qu'il soit bien ajusté, après avoir vérifié que la chaîne (5) est bien ajustée autour du guide-chaîne (4).
- ◆ Il ne doit pas y avoir de jeu entre la guide-chaîne et la chaîne par le dessous, comme illustré par la Figure F.
- ◆ Une fois la chaîne correctement tendue, resserrez le bouton de verrouillage du guide-chaîne.
- ◆ Veillez à ne pas trop tendre la chaîne. Cela provoquerait une usure excessive et réduirait la durée de vie du guide-chaîne et de la chaîne.

- ◆ Si la chaîne est neuve, contrôlez souvent sa tension (après avoir débranché l'outil) pendant les 2 premières heures d'utilisation car les chaînes neuves ont tendance à se détendre légèrement.

Remplacer la chaîne

Avertissement ! Chaîne tranchante. Veillez à toujours porter des gants de protection pour manipuler la chaîne. La chaîne est tranchante et elle peut vous couper, même à l'arrêt.

Avertissement ! Chaîne tranchante en mouvement. Afin d'éviter toute mise en marche accidentelle, assurez-vous que l'outil est débranché avant de réaliser les opérations qui suivent. Le non-respect de cette consigne peut occasionner de graves blessures.

- ◆ Tournez le bouton de verrouillage du guide-chaîne (8) dans le sens inverse des aiguilles d'une montre pour détendre la chaîne.
- ◆ Retirez le carter de chaîne (6) comme écrit dans la section "Installer le guide-chaîne et la chaîne".
- ◆ Sortez la chaîne (5) usée de la rainure du guide-chaîne (4).
- ◆ Positionnez la chaîne neuve dans la fente du guide-chaîne, en veillant à ce que les dents pointent dans le bon sens, en faisant coïncider la flèche sur la chaîne et le dessin sur le carter de chaîne (6), comme illustré par la figure G.
- ◆ Suivez les consignes précédentes pour installer le guide-chaîne et la chaîne et régler la tension de la chaîne.

Système de lubrification automatique

Cette tronçonneuse est équipée d'un système de lubrification automatique qui assure la lubrification constante de la chaîne et du guide.

La jauge à huile (13) indique le niveau d'huile dans la tronçonneuse. Si le niveau d'huile est inférieur à un quart, débranchez la tronçonneuse et faites l'appoint d'huile.

Remarque : Veillez à n'utiliser qu'une huile pour guide-chaîne et chaîne adaptée de très bonne qualité. Comme substitut temporaire, il est possible d'utiliser de l'huile moteur non détergente SAE30. L'utilisation d'une huile végétale pour guide-chaîne et chaîne est recommandée pour élaguer les arbres.

Les huiles minérales ne sont pas recommandées car elles peuvent nuire aux arbres. N'utilisez jamais d'huile usagée ou d'huile très épaisse. Cela pourrait endommager votre tronçonneuse.

Remplir le réservoir d'huile

- ◆ Retirez le bouchon d'huile (12) et remplissez le réservoir avec de l'huile pour guide-chaîne et chaîne recommandée jusqu'à ce que le niveau atteigne le haut de la jauge d'huile (13).
- ◆ Revissez le bouchon d'huile.

- ◆ Veillez à régulièrement éteindre la tronçonneuse pour contrôler la jauge d'huile afin de garantir que le guide-chaîne et la chaîne sont correctement lubrifiés.

Utiliser une rallonge

La poignée où se trouve l'interrupteur intègre une retenue pour une rallonge (11). Elle permet d'empêcher que la rallonge ne se débranche.

- ◆ Doublez la rallonge et insérez-la dans la fente (21) à l'extrémité de la poignée, comme illustré par la figure H. Accrochez la boucle formée en doublant la rallonge sur la retenue (11). Tirez légèrement sur le câble pour vous assurer qu'il est correctement retenu dans la poignée. Branchez le câble électrique (12) de la tronçonneuse dans la prise femelle de la rallonge.

Transporter la tronçonneuse

- ◆ Veillez à toujours couvrir le guide-chaîne (4) avec le fourreau (9) (figure J) pour transporter la tronçonneuse.
- ◆ Lorsque la machine n'est pas utilisée le protège-main avant (3) doit être poussé vers l'avant pour isoler la machine. L'utilisateur ne doit en aucun cas se déplacer quand cette fonction est activée.

Utiliser la tronçonneuse

Avertissement ! Veillez à lire et à bien assimiler toutes les instructions. Le non-respect de toutes les instructions listées ci-dessous peut conduire à des chocs électriques, des incendies et/ou de graves blessures.

Mise en marche et extinction

- ◆ Pour mettre l'outil en marche, enfoncez le bouton de verrouillage (2) puis enfoncez l'interrupteur à gâchette (1), comme illustré par la figure H. (Une fois l'outil en marche, vous pouvez relâcher le bouton de verrouillage).
- ◆ Pour éteindre l'outil relâchez l'interrupteur à gâchette.

Remarque : Il est impossible de mettre l'outil en marche si le protège-main avant (3) n'est pas en position "set".

Comment régler le protège-main avant

- ◆ Vérifiez que la tronçonneuse est bien débranchée.
- ◆ Ramenez le protège-main avant (3) dans la position "set".
- ◆ L'outil est alors prêt à l'emploi.

Comment fonctionne le protège-main avant

En cas de rebond, votre main gauche entre en contact avec le protège-main avant (3) et le pousse vers l'avant, vers le bois, ce qui arrête l'outil en quelques fractions de seconde.

Abattage (fig. K, L & M)

Les utilisateurs inexpérimentés ne doivent en aucun cas essayer d'abattre des arbres. L'utilisateur peut se blesser ou faire des dégâts matériels en n'ayant pas contrôlé le sens de la chute, l'arbre peut éclater et des branches abîmées ou mortes peuvent tomber :

La distance de sécurité entre un arbre à couper et les personnes, bâtiments ou autres objets à proximité doit être au moins égale à deux fois et demi la hauteur de l'arbre. Les personnes, les bâtiments ou les objets plus proches que cette distance risquent d'être heurtés par l'arbre au moment de sa chute.

Avant d'abattre un arbre :

- ◆ Assurez-vous que la législation ou les réglementations locales n'interdisent ou ne limitent pas l'abattage.
- ◆ Tenez compte de toutes les conditions pouvant affecter le sens de la chute, notamment :
 - ◆ Le sens voulu de la chute.
 - ◆ L'inclinaison naturelle de l'arbre :
 - ◆ Toute détérioration ou défaut important de la structure d'une branche maîtresse.
 - ◆ Les arbres environnants et les obstacles, dont les lignes aériennes et les canalisations souterraines.
 - ◆ La vitesse et le sens du vent.

Prévoyez une zone de repli en fonction de la chute des arbres et des branches.

Assurez-vous qu'il n'y a aucun obstacle sur la voie de repli qui pourrait empêcher ou de gêner vos déplacements. N'oubliez pas que l'herbe mouillée et l'écorce fraîchement coupée sont glissantes.

- ◆ Ne tentez pas d'abattre un arbre dont le diamètre est supérieur à la longueur de coupe de la tronçonneuse :
- ◆ Une entaille directionnelle doit être coupée pour définir le sens de la chute.
- ◆ Effectuez un coupe horizontale à une profondeur de 1/5ème à 1/3 environ du diamètre de l'arbre, perpendiculaire à la ligne de chute à la base de l'arbre (Fig. K).
- ◆ Faites ensuite une seconde entaille d'un angle de 45° au-dessus de la première entaille.
- ◆ Depuis l'autre côté procédez à une entaille d'abattage, 25 à 50 mm au-dessus du centre de l'entaille directionnelle. (fig. L). Ne sciez pas à travers l'entaille directionnelle, vous risqueriez de perdre le contrôle sur le sens de la chute.
- ◆ Insérez une ou des cales dans l'entaille d'abattage pour l'ouvrir et faire tomber l'arbre (Fig. M).

Élaguer les arbres

Assurez-vous que la législation ou les réglementations locales n'interdisent ou ne limitent pas l'élagage. L'élagage ne doit être effectué que par des utilisateurs expérimentés, car il existe un risque accru de pincement de la chaîne et de rebond.

Avant l'élagage, tenez compte de toutes les conditions pouvant affecter le sens de la chute, notamment :

- ◆ La longueur et le poids de la branche à couper.

- ◆ Toute détérioration ou défaut important de la structure d'une branche maîtresse.
- ◆ Les arbres environnants et les obstacles, en particulier les lignes aériennes.
- ◆ La vitesse et le sens du vent :
- ◆ Une branche entrelacée dans d'autres branches.

L'utilisateur doit prendre en compte l'accès à la branche et le sens de sa chute. La branche peut se balancer en direction du tronc de l'arbre. Cela peut mettre en danger les personnes, les objets et les bâtiments présents sous la branche.

- ◆ Pour éviter les éclats, faites une première entaille vers le haut à une profondeur maximum d'un tiers du diamètre de la branche.
- ◆ Puis, faites une seconde entaille vers la bas qui croise la première.

Débitage (fig. N, O & P)

La façon de scier dépend de la façon dont la bûche est soutenue. Si possible, utilisez un chevalet.

Commencez toujours la coupe, tronçonneuse en marche et avec la griffe (22) en contact avec le bois (Fig. N).

Pour terminer la coupe, faites pivoter la griffe contre le bois.

Lorsque la bûche est soutenue sur toute sa longueur :

- ◆ Sciez de haut en bas mais évitez de toucher le sol pour ne pas émousser la tronçonneuse.

Lorsque la bûche est soutenue aux deux extrémités :

- ◆ Sciez d'abord un tiers de haut en bas pour éviter qu'elle ne se fende, puis sciez de bas en haut pour rejoindre la première coupe.

Lorsque la bûche est soutenue à une extrémité :

- ◆ Sciez d'abord un tiers de bas en haut pour éviter pour éviter qu'elle ne se fende, puis sciez de haut en bas.

En pente :

- ◆ Faites toujours face à la pente.

Si vous voulez scier une bûche au sol (Fig. O)

- ◆ Fixez la bûche avec des cales. Personne ne doit se trouver debout ou assis sur la bûche. La chaîne ne doit pas être en contact avec le sol.

Si vous utilisez un chevalet (Fig. P) :

Cette pratique est vivement conseillée.

- ◆ Placez la bûche dans une position stable. Sciez toujours à l'extérieur des pieds du chevalet. Utilisez des fixations ou des sangles pour maintenir la bûche.

Ébranchage (Fig. Q)

L'ébranchage consiste à scier les branches d'un arbre après sa chute. Pour l'ébranchage, laissez les plus grosses branches du bas soutenir le tronc au-dessus du sol. Sciez les petites branches d'un seul trait. Les branches soumises à une tension doivent être coupées de bas en haut pour éviter de bloquer la chaîne. Taillez les branches à partir du côté opposé en maintenant le tronc de l'arbre entre vous et la scie. Ne sciez jamais en plaçant la tronçonneuse entre vos jambes ou en chevauchant la branche à scier.

Dépannage

Problème	Cause possible	Solution possible
L'outil ne démarre pas	Le bouton de verrouillage n'est pas enfoncé.	Appuyez sur le bouton de verrouillage.
	Protège-main avant en position "Freinage"	Repositionnez le protège-main avant
	Fusible grillé	Remplacez le fusible
	Déclenchement du circuit RCD	Vérifiez le circuit RCD
	Câble électrique débranché	Vérifiez l'alimentation électrique
La chaîne ne s'arrête pas dans le 2 secondes une fois l'outil éteint	La chaîne est détendue	Contrôlez la tension de la chaîne
Le guide-chaîne/la chaîne semblent trop chauds/fument	Réservoir d'huile vide	Contrôlez le niveau d'huile
	Orifice de huilage bouché sur le guide-chaîne	Nettoyez l'orifice de huilage et la rainure autour du guide-chaîne.
	La chaîne est trop tendue	Contrôlez la tension de la chaîne
	L'embout du pignon du guide-chaîne doit être graissé	Graissez le pignon du guide-chaîne
La tronçonneuse ne scie pas bien	La chaîne tourne dans le mauvais sens	Contrôlez/modifiez le sens de rotation de la chaîne
	La chaîne est émoussée	Affûtez et remplacez la chaîne
La tronçonneuse n'utilise pas d'huile	Débris dans le réservoir	Videz l'huile du réservoir et remplacez
	Orifice de remplissage d'huile bouché	Retirez les débris de l'orifice
	Débris dans le guide-chaîne	Retirez les débris et nettoyez le guide-chaîne
	Débris dans la sortie d'huile	Retirez les débris

Maintenance

Un entretien régulier permet de prolonger la durée de vie de l'outil. Il est conseillé de procéder régulièrement aux vérifications suivantes.

Avertissement ! À ne pas oublier avant l'entretien des outils électroportatifs :

- ◆ Éteignez l'outil et débranchez-le du secteur.

Niveau d'huile

Le réservoir doit toujours être rempli au moins au quart de sa capacité.

Chaîne et guide-chaîne (figure F)

- ◆ Après quelques heures d'utilisation à chaque fois et avant de ranger votre tronçonneuse, retirez le guide-chaîne (4) et la chaîne (5) et nettoyez-les avec soin.
- ◆ La protection doit être propre. Nettoyez tous les débris.

Avertissement ! Ne serrez pas trop fort.

- ◆ Huilez le nez du pignon par l'orifice de huilage du pignon. Cela permet d'uniformiser l'usure autour des rails du guide-chaîne.

Affûter la chaîne

Pour optimiser les performances de l'outil, il est important que les dents de la chaîne soient toujours bien affûtées.

Remplacer une chaîne usée

Vous pouvez vous procurer des chaînes de rechange auprès des détaillants ou des réparateurs agréés BLACK+DECKER. Utilisez toujours des pièces détachées d'origine.

Remplacer la chaîne :

BECS1835 35cm Chaîne A6235CS

BECS2040 40cm Chaîne A6240CS

BECS2245 45cm Chaîne A6245CS

Tranchant de la chaîne

Les dents de la chaîne s'émousent immédiatement si elles touchent le sol ou un clou pendant la coupe.

Tension de la chaîne

Vérifiez régulièrement la tension de la chaîne.

Que faire si votre tronçonneuse doit être réparée ?

Votre tronçonneuse a été fabriquée conformément aux normes de sécurité en vigueur. Les réparations ne doivent être effectuées que par des personnes qualifiées utilisant des pièces détachées d'origine, sous peine d'exposer l'utilisateur à de graves dangers. Nous vous conseillons de conserver cette notice dans un endroit sûr.

Remplacer la prise de courant (RU et Irlande uniquement)

Si une nouvelle prise électrique doit être installée :

- ◆ Jetez l'ancienne prise de façon appropriée.
- ◆ Raccordez le fil marron à la phase de la nouvelle prise.
- ◆ Raccordez le fil bleu au neutre.

Avertissement ! Aucun branchement ne doit être fait à la borne de terre. Respectez les instructions d'installation fournies avec les prises de bonne qualité. Fusible recommandé : 10 A.

Protection de l'environnement



Tri sélectif. Les produits et batteries marqués de ce symbole ne doivent pas être jetés avec les déchets ménagers

Les produits et les piles/batteries contiennent des matières qui peuvent être récupérées et recyclées afin de réduire la demande en matières premières.

Veillez à recycler les produits électriques et les piles/batteries conformément aux prescriptions locales en vigueur. Pour plus d'informations, consultez le site www.2helpU.com

Caractéristiques techniques

		BECS1835 Type 1	BECS2040 Type 1	BECS2245 Type 1
Tension	V _{ca}	230V	230V	230V
Longueur du guide-chaîne	cm	35	40	46
Longueur maxi du guide-chaîne	mm	419	459	511
Vitesse de la chaîne (à vide)	m/ sm	14,5	14,5	14,5
Longueur de coupe maxi	mm	319	368	407
Capacité d'huile	ml	170	170	170
poids (sans chaîne, guide-chaîne, huile)	kg	4,1	4,1	4,3

BECS1835 Valeur sonore mesurée selon EN62841:

L_{pA} (pression sonore) 99 dB(A), incertitude (K) 3 dB(A)
L_{wA} (puissance sonore) 109 dB(A), incertitude (K) 1,6 dB(A)

BECS1835 Valeurs totales des vibrations (somme vectorielle triaxiale) selon la norme EN 602841 :

Valeur des vibrations émises (a_h) = 3,8 m/s², incertitude (K) = 1,5 m/s²

BECS2040 Valeur sonore mesurée selon EN62841:

L_{pA} (pression sonore) 100 dB(A), incertitude (K) 3 dB(A)
L_{wA} (puissance sonore) 110 dB(A), incertitude (K) 1,8 dB(A)

BECS2040 Valeurs totales des vibrations (somme vectorielle triaxiale) selon la norme EN 602841 :

Valeur des vibrations émises (a_h) = 5,2 m/s², incertitude (K) = 1,5 m/s²

BECS2245 Valeur sonore mesurée selon EN62841:

LpA (pression sonore) 98 dB(A), incertitude (K) 3 dB(A)
LWA (puissance sonore) 108 dB(A), incertitude (K) 1,6 dB(A)

BECS2245 Valeurs totales des vibrations (somme vectorielle triaxiale) selon la norme EN 602841 :

Valeur des vibrations émises (a_{h1}) = 4,1 m/s², incertitude (K) = 1,5 m/s²**Déclaration de conformité CE**
DIRECTIVES MACHINES

Tronçonneuse BECS1835, BECS2040, BECS2245
Black & Decker certifie que les produits décrits dans les
"Caractéristiques techniques" sont en conformité avec :
2006/42/CE,

EN 62841-1:2015+A11:2022, EN 62841-4-1:2020
2000/14/CE, Annexe V

BECS2040 : LWA (niveau de puissance sonore mesuré) 110
dB(A), incertitude (K) = 1,8 dB (A),
LWA (puissance sonore garantie) 112 dB(A)

BECS1835 : Niveau de puissance sonore mesuré LWA : 109
dB(A). K = 1,6 dB(A).

La puissance sonore garantie LWA : 111 dB(A).

BECS2245 : Niveau de puissance sonore mesuré LWA : 108
dB(A). K = 1,6 dB(A).

La puissance sonore garantie LWA : 110 dB(A)

Ces produits sont également conformes aux Directives
2014/30/UE et 2011/65/UE.

Pour plus de précisions, veuillez contacter Black & Decker à
l'adresse qui suit ou consulter le dos de la présente notice.

Le soussigné est responsable de la compilation du dossier
technique il fait cette déclaration au nom de Black & Decker.

Patrick Diepenbach

Patrick Diepenbach
General Manager, Benelux
Black & Decker,
Egide Walschaertsstraat 14-18
2800 Mechelen, Belgique
17/02/2023

Garantie

Black & Decker est sûr de la qualité de ses produits et offre
une garantie de 24 mois à ses clients, à partir de la date
d'achat. Cette garantie s'ajoute à vos droits légaux auxquels
elle ne porte aucunement préjudice.

Cette garantie est valable au sein des territoires des états
membres de l'Union européenne, de la zone européenne de
libre-échange et du Royaume-Uni.

Pour prétendre à la garantie, la réclamation doit être en
conformité avec les conditions générales de Black & Decker
et vous devez fournir une preuve d'achat au vendeur ou au
réparateur agréé. Les conditions générales de la garantie de 2
ans Black & Decker ainsi que l'adresse du réparateur agréé le
plus proche sont disponibles sur le site Internet www.2helpU.com
ou en contactant votre agence Black & Decker locale à
l'adresse indiquée dans la présente notice.

Consultez notre site Internet www.blackanddecker.co.uk pour
enregistrer votre nouveau produit BLACK+DECKER et pour
être tenu informé des nouveautés et des offres spéciales.

(Traduzione del testo originale)

ITALIANO

Uso previsto

L'elettrosega BLACK+DECKER™ BECS1835,
BECS2040, BECS2245 è stata progettata per abbattere alberi
e per tagliare tronchi. Questo elettroutensile è destinato solo
all'uso privato.

Istruzioni di sicurezza**Avvertenze di sicurezza generali per gli elettroutensili**

Avvertenza! Leggere attentamente tutte le avvertenze, istruzioni, illustrazioni e specifiche fornite con l'apparato. La mancata osservanza delle istruzioni seguenti può dar luogo a scosse elettriche, incendi e/o lesioni personali gravi.

Conservare tutte le avvertenze e le istruzioni per riferimenti futuri. Il termine "elettrotensile" utilizzato nelle avvertenze elencate di seguito fa riferimento sia agli utensili elettrici alimentati tramite una rete elettrica (con cavo) sia a quelli alimentati a batteria (senza cavo).

1. Sicurezza nell'area di lavoro

- a. **Mantenere pulita e bene illuminata l'area di lavoro.** Gli ambienti disordinati o scarsamente illuminati favoriscono gli incidenti.
- b. **Evitare di usare gli elettroutensili in ambienti esposti al rischio di esplosione, ad esempio in presenza di liquidi, gas o polveri infiammabili.** Gli elettroutensili generano scintille che possono incendiare le polveri o i fumi.
- c. **Durante l'uso di un elettroutensile, tenere a distanza i bambini e le altre persone presenti.** Eventuali distrazioni possono provocare la perdita di controllo dell'elettrotensile.

2. Sicurezza elettrica

- a. **Le spine elettriche degli elettroutensili devono essere adatte alla presa di corrente.**

Non modificare la spina in alcun modo. Non collegare un adattatore alla spina di un elettrotensile dotato di messa a terra. Per ridurre il rischio di scosse elettriche evitare di modificare le spine e utilizzare sempre le prese appropriate.

- b. **Evitare il contatto con superfici collegate a terra, quali tubature, termosifoni, fornelli e frigoriferi.** Se il corpo dell'operatore è collegato a terra, il rischio di scosse elettriche aumenta.
- c. **Non esporre gli elettrotensili alla pioggia o all'umidità.** Se dovesse penetrare dell'acqua all'interno di un elettrotensile, il rischio di scosse elettriche aumenta.
- d. **Non utilizzare il cavo di alimentazione in modo improprio. Non spostare, tirare o scollegare mai un elettrotensile dalla presa usando il cavo di alimentazione. Tenere il cavo di alimentazione lontano da fonti di calore, olio, bordi taglienti o parti in movimento.** Se il cavo è danneggiato o impigliato, il rischio di scosse elettriche aumenta.
- e. **Se un elettrotensile viene utilizzato all'aperto, usare esclusivamente prolunghine omologate per l'impiego all'esterno.** L'uso di un cavo di alimentazione adatto ad ambienti esterni riduce il rischio di scossa elettrica.
- f. **Se non è possibile evitare di lavorare in una zona umida, usare una rete elettrica protetta da un interruttore differenziale (RCD).** L'uso di un RCD riduce il rischio di scosse elettriche.

3. Sicurezza personale

- a. **È importante concentrarsi su ciò che si sta facendo e maneggiare con giudizio l'elettrotensile. Non utilizzare un elettrotensile quando si è stanchi o sotto l'effetto di sostanze stupefacenti, alcol o medicinali.** Un solo attimo di distrazione durante l'uso di un elettrotensile potrebbe provocare gravi lesioni personali.
- b. **Usare dispositivi di protezione individuale. Indossare sempre occhiali di sicurezza.** L'uso di dispositivi di protezione, quali mascherine antipolvere, scarpe antinfortunistiche antiscivolo, elmetti di sicurezza o protezioni per l'udito in condizioni opportune consente di ridurre gli infortuni.
- c. **Prevenire l'avvio involontario. Accertarsi che l'interruttore sia nella posizione di spegnimento, prima di collegare un elettrotensile alla rete elettrica e/o alla batteria, di prenderlo in mano o di trasportarlo.** Per non esporsi al rischio di incidenti, non trasportare gli elettrotensili tenendo le dita sull'interruttore e non collegarli a una fonte di alimentazione elettrica con l'interruttore in posizione di accensione.
- d. **Prima di accendere un elettrotensile, rimuovere eventuali utensili di regolazione o chiavi.**

Un utensile di regolazione o una chiave attaccati a una parte rotante dell'elettrotensile possono provocare lesioni personali.

- e. **Non sbilanciarsi. Mantenere sempre un appoggio e un equilibrio adeguati.** Ciò consente un migliore controllo dell'elettrotensile nelle situazioni impreviste.
- f. **Indossare vestiario adeguato. Non indossare abiti non aderenti o gioielli. Tenere i capelli e gli indumenti lontani dalle parti in movimento.** Abiti lenti, gioielli o capelli lunghi possono impigliarsi nelle parti in movimento.
- g. **Se gli elettrotensili sono provvisti di attacchi per il collegamento di dispositivi di aspirazione o di raccolta delle polveri, assicurarsi che questi siano installati e utilizzati correttamente.** La raccolta delle polveri può ridurre i pericoli legati a queste ultime.
- h. **Non lasciare che la familiarità acquisita dall'uso frequente di elettrotensili induca a cedere alla tentazione di ignorare i principi di utilizzo sicuro degli stessi.** Un'azione imprudente potrebbe provocare lesioni personali gravi in una frazione di secondo.

4. Uso e manutenzione dell'elettrotensile

- a. **Non sovraccaricare l'elettrotensile. Utilizzare l'elettrotensile adatto per il lavoro da eseguire.** L'elettrotensile corretto funziona meglio e in modo più sicuro se viene utilizzato alla velocità per cui è stato progettato.
- b. **Non utilizzare l'elettrotensile se l'interruttore non permette l'accensione o lo spegnimento.** Qualsiasi elettrotensile che non possa essere controllato tramite l'interruttore è pericoloso e deve essere riparato.
- c. **Scollegare la spina dalla presa di corrente e/o la batteria dall'elettrotensile prima di effettuare qualsiasi tipo di regolazione, cambiare gli accessori o ripararlo.** Queste misure di sicurezza preventive riducono il rischio di azionare accidentalmente l'elettrotensile.
- d. **Quando non vengono usati, gli elettrotensili devono essere custoditi fuori dalla portata dei bambini. Non consentire l'uso dell'elettrotensile a persone inesperte o che non abbiano letto questo manuale di istruzioni.** Gli elettrotensili sono pericolosi in mano a persone inesperte.
- e. **Sottoporre gli elettrotensili a regolare manutenzione. Verificare che le parti mobili siano correttamente allineate e non inceppate, che non vi siano componenti rotti e che non sussistano altre condizioni che possono compromettere il funzionamento dell'elettrotensile. Se un elettrotensile è danneggiato, farlo riparare prima dell'uso.** Molti incidenti sono provocati da elettrotensili non sottoposti a una corretta manutenzione.

- f. **Mantenere gli utensili da taglio affilati e puliti.** La manutenzione corretta degli utensili da taglio con bordi affilati riduce le probabilità di inceppamento e ne facilita il controllo.
- g. **Utilizzare l'elettrotensile, gli accessori, le punte, ecc. in conformità alle presenti istruzioni, tenendo conto delle condizioni operative e del lavoro da eseguire.** L'utilizzo dell'elettrotensile per impieghi diversi da quelli previsti può dare luogo a situazioni di pericolo.
- h. **Mantenere le impugnature e le superfici di presa asciutte, pulite e senza tracce di olio o grasso.** Impugnature e superfici di presa scivolose non consentono di maneggiare e controllare in modo sicuro l'elettrotensile nel caso di imprevisti.
5. **Assistenza**
- a. **Fare riparare l'elettrotensile esclusivamente da personale specializzato e solo usando pezzi di ricambio originali.** In questo modo viene garantita la sicurezza dell'elettrotensile.

Avvertenze generali di sicurezza per le elettroseghe



Avvertenza! Ulteriori avvisi di sicurezza per le elettroseghe

- ◆ **Mantenere tutte le parti del corpo a distanza dall'elettrosega durante l'impiego.** Prima di avviare l'elettrosega, assicurarsi che la catena non sia a contatto con alcun oggetto. Un attimo di distrazione durante l'impiego dell'elettrosega potrebbe causare l'impigliamento di indumenti o parti del corpo nell'elettrosega stessa.
- ◆ **Tenere sempre l'elettrosega con la mano destra sull'impugnatura posteriore e quella sinistra sull'impugnatura anteriore.** Tenere l'elettrosega al contrario rispetto a quanto consigliato aumenta il rischio di lesioni personali: non lo si dovrebbe mai fare.
- ◆ **Afferrare l'elettrosega solo dalle superfici di presa isolate, dato che essa potrebbe venire a contatto con cavi nascosti.** Il contatto tra la catena dell'elettrosega e un filo elettrico sotto tensione metterebbe sotto tensione anche le parti metalliche esposte dell'elettrosega e potrebbe provocare la folgorazione dell'operatore.
- ◆ **Indossare occhiali di sicurezza. Si consiglia inoltre di indossare dispositivi di protezione per l'udito e per il capo, le mani, le gambe e i piedi.** L'impiego dei dispositivi di protezione idonei riduce il rischio di lesioni personali causate da detriti di rami scagliati in aria o dal contatto accidentale con l'elettrosega.
- ◆ **Non usare l'elettrosega mentre ci si trova su un albero, su una scala o su qualsiasi altra superficie poco stabile.** L'utilizzo dell'elettrosega in questo modo potrebbe provocare gravi lesioni personali.
- ◆ **Mantenere sempre un buon equilibrio e utilizzare l'elettrosega solo quando ci si trova su di una superficie stabile, sicura e piana.** Superfici sdruciolevoli o poco stabili come le scale, possono causare la perdita di equilibrio o di controllo dell'elettrosega.
- ◆ **Se si taglia un ramo in tensione, prestare attenzione all'effetto "molla".** Quando la tensione nelle fibre del legno viene rilasciata, il ramo, caricato come una molla, potrebbe colpire l'operatore e/o fargli perdere il controllo dell'elettrosega.
- ◆ **Prestare la massima attenzione quando si potano cespugli e alberelli.** Il materiale sottile potrebbe incepparsi nell'elettrosega ed essere proiettato con violenza verso l'operatore oppure fargli perdere l'equilibrio.
- ◆ **Trasportare l'elettrosega spenta e lontana del corpo, afferrandola dall'impugnatura anteriore.** Durante il trasporto o quando si ripone l'elettrosega montare sempre il copribarra. La corretta manipolazione della motosega riduce la probabilità di contatto accidentale con la catena in movimento.
- ◆ **Seguire le istruzioni relative alla lubrificazione, al tensionamento della catena e alla sostituzione della catena e della barra di guida.** Le catene tese o lubrificate in modo errato potrebbero rompersi o aumentare la probabilità che si verifichino dei contraccolpi.
- ◆ **Tagliare solo il legno. Non usare l'elettrosega per lavori diversi da quelli previsti. Ad esempio, non utilizzarla per tagliare metallo, plastica, muratura o materiali da costruzione diversi dal legno.** L'impiego dell'elettrosega per usi diversi da quelli previsti può dar luogo a situazioni di pericolo.
- ◆ **Non tentare di abbattere un albero prima di aver compreso i rischi connessi e come evitarli.** Durante l'abbattimento di un albero potrebbero verificarsi gravi lesioni per l'operatore o per le altre persone presenti.
- ◆ **Seguire tutte le istruzioni quando si rimuove materiale inceppato, si ripone o si effettua la manutenzione dell'elettrosega. Accertarsi che la spina dell'elettrosega sia staccata dalla presa di corrente.** L'attivazione accidentale dell'elettrosega durante la rimozione di materiale inceppato o l'esecuzione di interventi di manutenzione su di esso può provocare lesioni personali gravi.
- ◆ **Indossare indumenti aderenti e protettivi, compreso un elmetto di sicurezza con visiera/occhiali, protezioni acustiche, calzature antiscivolo, calzoni antitaglio e guanti di cuoio robusti.**
- ◆ **L'operatore deve sempre posizionarsi al riparo dalla traiettoria di caduta dei rami.**
- ◆ **La distanza di sicurezza tra un ramo da abbattere ed eventuali persone, edifici e altri oggetti, corrisponde ad almeno due volte e mezzo la lunghezza del ramo stesso.**

Eventuali persone, edifici o oggetti che si trovino entro tale distanza rischiano di essere colpiti dal ramo in caduta.

- ◆ Mettere a punto un programma di sicurezza che consenta di allontanarsi dai rami che stanno per essere abbattuti. Assicurarsi che il percorso di fuga sia libero da ostacoli che possono impedire o intralciare il movimento. Ricordare che l'erba umida e la corteccia appena tagliata sono scivolose.
- ◆ Assicurarsi che nelle vicinanze (ma a distanza di sicurezza), sia sempre disponibile qualcuno che possa intervenire in caso di incidente.
- ◆ Non usare l'elettrosega mentre ci si trova su un albero, su una scala o su qualsiasi altra superficie poco stabile.
- ◆ Mantenere sempre un appoggio e un equilibrio adeguati.
- ◆ Tenere saldamente l'elettrosega con entrambe le mani quando il motore è in funzione.
- ◆ Non lasciare mai che la catena in movimento tocchi alcun oggetto che si trovi in prossimità della punta della barra di guida.
- ◆ Avviare il taglio quando la catena ha raggiunto la piena velocità.
- ◆ Non tentare di inserirsi in un taglio precedente. Eseguire sempre un nuovo taglio.
- ◆ Prestare attenzione allo spostamento di rami o ad altre forze che potrebbero chiudere un taglio e schiacciare la catena o cadervi dentro.
- ◆ Non tentare di tagliare un ramo il cui diametro sia superiore alla lunghezza di taglio dell'elettrosega.
- ◆ Quando si ripone o si trasporta l'elettrosega infilare sempre il copricatena sulla catena.
- ◆ La catena deve sempre essere affilata e ben tesa. Controllare la tensione a intervalli regolari.
- ◆ Spegnerne l'elettrosega, scollegare l'alimentazione e lasciare che la catena si arresti prima di effettuare qualsiasi intervento di regolazione, riparazione o manutenzione.
- ◆ Usare esclusivamente ricambi e accessori originali.
- ◆ Mantenere le impugnature pulite e libere da tracce di olio o grasso. La presenza di olio o grasso sulle impugnature le rende scivolose, causando la perdita di controllo dell'elettrotensile.
- ◆ I denti del paracolpi dentato potrebbero diventare affilati col tempo. Maneggiare con cautela.
- ◆ Durante l'impiego dell'elettrosega, la catena potrebbe riscaldarsi. Maneggiarla con cautela.

Possibili cause di contraccolpo e accorgimenti per impedirlo

I contraccolpi possono verificarsi quando la punta della barra di guida tocca un oggetto o quando il legno tagliato si chiude e incastra la catena nel taglio.

A volte il contatto con la punta può causare una reazione inversa improvvisa, spingendo la barra di guida verso l'alto e indietro verso l'operatore.

Se la catena rimane incastrata lungo il bordo superiore della barra di guida è possibile che la barra venga ribaltata rapidamente in direzione dell'operatore.

Entrambe queste reazioni possono causare la perdita di controllo dell'elettrosega con la probabilità di subire pericolose lesioni personali. Non fare affidamento esclusivamente sui dispositivi di sicurezza integrati nell'elettrosega. L'operatore dell'elettrosega ha la responsabilità di eseguire lavori di taglio che non causino incidenti o lesioni alle persone.

Un contraccolpo è la conseguenza di un uso non appropriato oppure non corretto dell'elettrosega e può essere evitato solamente adottando le misure di sicurezza idonee, descritte di seguito:

- ◆ **tenere saldamente l'elettrosega afferrando le impugnature con i pollici e le dita. Afferrando l'elettrosega con entrambe le mani, posizionare il corpo e il braccio in modo da far fronte ad eventuali contraccolpi.** L'operatore è in grado di resistere alla forza esercitata da eventuali contraccolpi se adotta le precauzioni del caso. Non lasciare andare l'elettrosega;
- ◆ **non sbilanciarsi e non tagliare oltre l'altezza della spalla.** In questo modo si evita il contatto involontario con la punta e si mantiene un miglior contatto dell'elettrosega in situazioni impreviste;
- ◆ **utilizzare solamente le barre di guida e le catene di ricambio indicate dal fabbricante.** L'errata sostituzione delle barre di guida e delle catene può causare la rottura della catena e/o contraccolpi;
- ◆ **rispettare le istruzioni per l'affilatura e la manutenzione della catena dell'elettrosega fornite dal fabbricante.** La diminuzione dell'altezza del calibro di profondità aumenta la possibilità di contraccolpi.

Consigli di sicurezza per l'elettrosega

- ◆ Consigliamo vivamente a chi la usa per la prima volta, di farsi dare dei consigli pratici da un esperto sia per l'uso dell'elettrosega sia dell'equipaggiamento protettivo. Completare questa lezione pratica segnando tronchi sostenuti da un cavalletto o un'intelaiatura di sostegno.
- ◆ Quando si trasporta l'elettrosega, si consiglia di accertarsi che la catena sia rivolta all'indietro.
- ◆ Quando non viene adoperata, l'elettrosega deve essere sottoposta alla necessaria manutenzione. Non riporre mai l'elettrosega senza averne rimosso la catena e la barra di guida che devono essere conservate in un bagno d'olio. Tutti i componenti dell'elettrosega devono essere riposti in luogo sicuro e asciutto, fuori dalla portata dei bambini.
- ◆ Posizionare sempre il cavo di alimentazione in modo che non rimanga impigliato in rami o simili durante l'esecuzione di un taglio.

- ◆ Consigliamo di scaricare l'olio in un apposito serbatoio prima di riporre l'elettrosega.
- ◆ Prima di eseguire lavori di abbattimento o sramatura mettere a punto un programma di sicurezza che consenta di allontanarsi senza pericolo e fare attenzione a proteggere i piedi.
- ◆ Fare uso di cunei per agevolare il controllo dell'abbattimento ed evitare che la catena e la barra di guida si blocchino nel taglio.
- ◆ Manutenzione dell'elettrosega. La catena deve essere sempre affilata e bene aderente alla barra di guida. Verificare che catena e barra di guida siano pulite e perfettamente lubrificate. Mantenere le maniglie asciutte, pulite e prive di olio o grasso.

I contraccolpi possono essere causati da:

- ◆ Contatto accidentale contro rami o altri oggetti colpiti dalla punta della catena della sega in moto.
- ◆ Contatto con metallo, cemento o altri materiali duri che si trovano in prossimità del legno o al suo interno.
- ◆ Catena smussata o allentata
- ◆ Taglio al di sopra dell'altezza della spalla.
- ◆ Disattenzione mentre si sorregge o si manovra l'elettrosega durante il taglio.
- ◆ Ci si sporge eccessivamente. Mantenersi sempre saldi sui piedi e bene equilibrati, evitando di sporgersi.
- ◆ Non cercare di inserire la sega in un taglio praticato in precedenza, dato che potrebbe causare un contraccolpo. Praticare un nuovo taglio ogni volta.
- ◆ Si suggerisce vivamente di non tentare di utilizzare l'elettrosega mentre si è su un albero, una scala o qualsiasi altra superficie poco stabile.
Se si dovesse decidere di farlo comunque, ricordare che queste posizioni sono estremamente pericolose.
- ◆ Quando si taglia un ramo che è sotto tensione, prepararsi per il contraccolpo, in modo da non essere colpiti quando tale tensione viene eliminata.

Evitare di tagliare:

- ◆ legname preparato;
- ◆ il terreno;
- ◆ recinzioni metalliche, chiodi, ecc.;
- ◆ piccoli cespugli e giovani pertiche perché la catena della sega può incepparsi nel materiale sottile e schizzare verso l'operatore oppure fargli perdere l'equilibrio.
- ◆ Non utilizzare l'elettrosega sostenendola oltre l'altezza della spalla.
- ◆ Assicurarsi che nelle vicinanze (ma a distanza di sicurezza), sia sempre disponibile qualcuno che possa intervenire in caso di incidente.
- ◆ Se, per qualsiasi motivo, dovesse essere necessario toccare la catena, accertarsi che l'elettrosega non sia collegata all'alimentazione elettrica.

- ◆ La rumorosità dell'elettrosega può superare 80 dB(A). Si suggerisce, quindi, di adottare le misure del caso per proteggere l'udito.

Rischi residui

L'utilizzo dell'elettrotensile può comportare rischi residui non necessariamente riportati nelle presenti avvertenze di sicurezza. Tali rischi possono sorgere a seguito di un uso prolungato o improprio, ecc.

Malgrado il rispetto delle norme di sicurezza pertinenti e l'implementazione di dispositivi di sicurezza, alcuni rischi residui non possono essere evitati. Sono inclusi:

- ◆ lesioni personali causate dal contatto con parti rotanti/in movimento;
- ◆ lesioni personali subite durante la sostituzione di parti, lame o accessori;
- ◆ lesioni personali causate dall'impiego prolungato di un elettrotensile (quando si utilizza qualsiasi elettrotensile per periodi prolungati, assicurarsi di fare pause regolari);
- ◆ menomazioni uditive;
- ◆ rischi per la salute causati dall'inalazione della polvere generata dall'utilizzo dell'elettrosega (ad esempio, quando si lavora con il legno, in modo particolare quello di quercia e di faggio o con l'MDF).

Vibrazione

Il/i valori di emissione di vibrazioni dichiarato/i, indicato/i nella sezione "Dati tecnici" e nella Dichiarazione di conformità di questo manuale, sono stati misurati attenendosi a un metodo di prova standard previsto dalla normativa EN 62841 e possono essere usati come termine di paragone tra due utensili. I valori di emissione di vibrazioni e il/i valore/i di rumore dichiarati possono anche essere usati per una valutazione preliminare dell'esposizione.

Avvertenza! Il livello di emissione di vibrazioni e di rumore durante l'uso effettivo dell'elettrotensile può differire dal valore dichiarato, a seconda delle sue modalità di utilizzo. Il livello di vibrazione potrebbe aumentare oltre quello dichiarato.

Quando si valuta l'esposizione alle vibrazioni per stabilire le misure di sicurezza richieste dalla Direttiva 2002/44/CE destinata alla protezione delle persone che utilizzano regolarmente elettrotensili per lo svolgimento delle proprie mansioni, è necessario prendere in considerazione le condizioni effettive di utilizzo dell'elettrotensile e il modo in cui esso viene usato, oltre che tenere conto di tutte le componenti del ciclo operativo, vale a dire i periodi in cui l'elettrotensile rimane spento, quelli in cui è acceso ma fermo e quelli in cui viene effettivamente utilizzato.

Etichette sull'elettrotensile

Sull'elettrotensile compaiono i seguenti pittogrammi insieme al codice data:



Avvertenza! Per ridurre il rischio di lesioni personali, l'operatore deve leggere il manuale di istruzioni.



Non utilizzare la sega in presenza di forte umidità o sotto la pioggia.



Indossare sempre protezioni per la testa, per l'udito e per la vista.



Indossare sempre guanti.



Indossare sempre scarpe di sicurezza antiscivolo.



Tenere sempre l'elettrosega saldamente con entrambe le mani.



Non utilizzare l'elettrosega con una mano sola.



Prestare attenzione a possibili contraccolpi dell'elettrosega ed evitare il contatto con la punta della barra di guida della catena.



Fare attenzione alla caduta di oggetti. Allontanare gli eventuali presenti



Avvertenza! Non toccare la catena in prossimità del punto di espulsione dei trucioli.



Direzione di rotazione della catena



Scollegare immediatamente il cavo dalla rete di alimentazione se danneggiato o tagliato.



Potenza sonora garantita ai sensi della Direttiva 2000/14/CE.



Potenza sonora garantita ai sensi della Direttiva 2000/14/CE.



Potenza sonora garantita ai sensi della Direttiva 2000/14/CE.

Sicurezza elettrica



Il doppio isolamento di cui è provvisto l'elettrotensile rende superfluo il filo di terra. La fornitura del voltaggio e della corrente deve essere conforme alle specifiche indicate sulla targa.

- ◆ Per prevenire pericoli, i cavi di alimentazione danneggiati devono essere sostituiti dal fabbricante o presso un centro di assistenza BLACK+DECKER.

Utilizzo di un cavo di prolunga

- ◆ Usare sempre un cavo di prolunga di tipo omologato, idoneo all'assorbimento di corrente di questo elettrotensile (vedere i dati tecnici). Il cavo di prolunga deve essere idoneo per impiego all'esterno e deve essere opportunamente contrassegnato. È possibile usare un cavo di prolunga H07RN-F a 2 conduttori di 1,5 mm² di fino a 30 m di lunghezza senza sperimentare alcuna perdita di prestazioni dell'elettrosega. Prima dell'impiego, ispezionare il cavo di prolunga per accertarsi che non presenti segni di danneggiamento, usura o invecchiamento. Sostituire il cavo di prolunga se è danneggiato o difettoso. Se si utilizza un avvolgitore, estrarre il cavo per l'intera lunghezza.

Abbassamenti di tensione

- ◆ In alcuni casi, che dipendono dal tipo di alimentazione, questo elettrotensile può causare una breve caduta di tensione all'avviamento,
- ◆ che potrebbe avere un effetto negativo su altre apparecchiature. Si potrebbe ad esempio avere una riduzione temporanea dell'intensità luminosa dell'impianto di illuminazione.
- ◆ Se necessario, rivolgersi all'ente di erogazione dell'energia elettrica per determinare se l'impedenza dell'alimentazione elettrica è inferiore a 0,159 ohm. Se lo è, si possono verificare dei disturbi.

Protezione contro le scosse elettriche

- ◆ Evitare il contatto con le superfici messe a terra (ad esempio guide metalliche, steli di lampade ecc.). La sicurezza elettrica può essere ulteriormente aumentata utilizzando un dispositivo a corrente residua (RCD) ad alta sensibilità (30 mA/30 mS).



Avvertenza! L'impiego di un dispositivo a corrente residua o di altri interruttori automatici non esonera l'operatore dell'elettrosega dall'osservanza delle istruzioni di sicurezza e delle prassi di lavoro riportate in questo manuale.

Caratteristiche

1. Interruttore di accensione/spegnimento
2. Pulsante di blocco di sicurezza (non illustrato)
3. Paramano anteriore
4. Barra di guida
5. Catena
6. Copricatena
7. Rotella di regolazione tensione catena
8. Manopola di bloccaggio e regolazione barra di guida
9. Copribarra
10. Cavo di alimentazione
11. Reggicavo
12. Tappo del serbatoio olio
13. Indicatore del livello olio
14. Paracolpi dentato

Assemblaggio



Avvertenza! Indossare sempre guanti protettivi quando si lavora sull'elettrosega.



Avvertenza! Prima di eseguire operazioni di assemblaggio o manutenzione su elettroutensili, spegnerli e scollegarli dall'alimentazione.



Avvertenza! Prima dell'assemblaggio, togliere la fascetta che mantiene la catena fissata alla relativa barra.

Oliatura della catena

Questa operazione deve essere eseguita ogni volta che si utilizza una catena (5) nuova per la prima volta. Prendere la nuova catena (5) e immergerla in olio per catene e lasciarla immersa per almeno un'ora prima di usarla. Usare olio per catene BLACK+DECKER.

Si suggerisce di usare esclusivamente olio BLACK+DECKER per l'intera durata di servizio dell'elettrosega, in quanto miscele di oli diversi potrebbero compromettere la qualità dell'olio, riducendo drasticamente la durata della catena, e creare altri rischi.

Non usare mai olio di scarto, olio pesante od olio troppo leggero tipo quello per macchine da cucire, dato che questi oli potrebbero danneggiare l'elettrosega.

Montaggio della barra di guida e della catena. (Fig. A - G)

- ◆ Appoggiare l'elettrosega su una superficie stabile.
- ◆ Ruotare la manopola di bloccaggio e regolazione della barra di guida (8) in senso antiorario come illustrato nella Figura A per rimuovere il copricatena (6).

- ◆ Indossando dei guanti di protezione, afferrare la catena (5) e avvolgerla intorno alla barra di guida (4), assicurandosi che i taglienti siano rivolti nella direzione corretta (vedere la Figura G).
- ◆ Accertarsi che la catena sia inserita correttamente nella scanalatura attorno all'intera barra di guida.
- ◆ Posizionare la catena attorno al rocchetto di trasmissione (16) allineando la scanalatura della barra di guida con il bullone (17) presente sulla base della sega e il perno di tensionamento della catena (18), come illustrato nella Figura B.

Nota: potrebbe essere necessario regolare la posizione del perno di tensionamento della catena (18) per far sì che si innesti correttamente nella fessura della barra di guida, ruotando la rotella di tensionamento della catena (7).

- ◆ Una volta posizionata la catena, ruotare a mano la rotella di tensionamento (7) per serrare momentaneamente il gruppo e mantenerlo in posizione.
- ◆ Tenendo ferma la barra di guida, rimontare il copricatena (6). Assicurarsi che la linguetta (19) sul copricatena sia allineata con la scanalatura (20) presente nel corpo macchina principale, come mostrato nella Figura C. Ruotare la manopola di bloccaggio e regolazione (8) in senso orario fino a quando non è ben stretta, quindi allentare la manopola (8) di un giro completo, in modo che la catena possa essere tensionata correttamente.
- ◆ Seguire le istruzioni riportate nella sezione seguente "Regolazione della tensione della catena".

Regolazione della tensione della catena

Avvertenza! Catena con taglienti affilati. Indossare sempre guanti di protezione per l'installazione e la rimozione della catena. I taglienti della catena sono affilati e possono causare ferite da taglio anche quando la catena ferma.

Avvertenza! Catena mobile con taglienti affilati. Per prevenire l'azionamento accidentale, assicurarsi che la batteria sia rimossa dall'elettrosega o che quest'ultima sia scollegata dalla presa di corrente, prima di eseguire le operazioni descritte di seguito. In caso contrario potrebbero verificarsi gravi lesioni personali.

- ◆ Con l'elettrosega appoggiata su una superficie stabile, controllare la tensione della catena (5). La tensione è corretta quando la catena si tende di nuovo dopo essere stata allontanata di 3 mm dalla relativa barra di guida (4), esercitando una leggera trazione con il dito medio e il pollice, come illustrato nella Figura D.
- ◆ Per regolare la tensione della catena allentare la manopola di bloccaggio e regolazione della barra di guida (8), ruotare la rotella di tensionamento della catena (7) verso la parte superiore della sega per aumentare la tensione della catena, come illustrato nella Figura E.

Serrare a fondo la manopola di bloccaggio della barra di guida dopo essersi assicurati che la catena (5) aderisca bene attorno alla barra di guida (4).

- ◆ La catena non dovrebbe "afflosciarsi" nella parte inferiore della barra di guida, come illustrato nella Figura F.
- ◆ Una volta regolata correttamente la tensione della catena serrare la manopola dado di bloccaggio della barra di guida.
- ◆ Non tendere troppo la catena per evitare che si usuri eccessivamente, riducendo in tal modo la durata della barra di guida e della catena stessa.
- ◆ Quando la catena è nuova controllare spesso la tensione (dopo aver scollegato la spina della sega dalla presa di corrente) durante le prime 2 ore di utilizzo, poiché una catena nuova si allunga leggermente.

Sostituzione della catena

Avvertenza! Catena con taglienti affilati. Indossare sempre guanti di protezione per l'installazione e la rimozione della catena. I taglienti della catena sono affilati e possono causare ferite da taglio anche quando la catena ferma.

Avvertenza! Catena mobile con taglienti affilati. Per prevenire l'azionamento accidentale, assicurarsi che la batteria sia rimossa dall'elettrosega o che quest'ultima sia scollegata dalla presa di corrente, prima di eseguire le operazioni descritte di seguito. In caso contrario potrebbero verificarsi gravi lesioni personali.

- ◆ Ruotare la manopola di bloccaggio e regolazione della barra di guida (8) in senso antiorario per allentare la tensione della catena.
- ◆ Rimuovere il copricatena (6), come descritto nella Sezione "Installazione della barra di guida e della catena".
- ◆ Sfilare la catena (5) usurata dalla scanalatura della barra di guida (4).
- ◆ Posizionare la nuova catena nella scanalatura della barra di guida, verificando che i taglienti siano rivolti nella direzione giusta; a tal fine allineare la freccia sulla catena al disegno sul copricatena (6), come illustrato nella Figura G.
- ◆ Seguire le istruzioni riportate nelle sezioni precedenti "Installazione della barra di guida e della catena e "Regolazione della tensione della catena".

Lubrificazione automatica

Questa elettrosega è provvista di un sistema di lubrificazione automatico che mantiene la catena e la barra di guida costantemente lubrificate.

L'indicatore del livello olio (13) mostra il livello dell'olio nell'elettrosega. Se il livello dell'olio è inferiore a un quarto della capacità del serbatoio, scollegare l'elettrosega dalla presa di corrente rabboccare con il tipo di olio corretto.

Nota: per lubrificare la barra di guida e la catena utilizzare olio lubrificante di alta qualità, per assicurare un'adeguata lubrificazione di entrambe. Come prodotto sostitutivo temporaneo è possibile utilizzare un olio per motori non detergente SAE30. Per la potatura degli alberi si raccomanda l'uso di un olio per barre e catene di sega a base vegetale. Non è opportuno utilizzare oli minerali, poiché potrebbero danneggiare gli alberi. Non utilizzare mai olio esausto od olio molto denso, dato che questi oli potrebbero danneggiare l'elettrosega.

Riempimento del serbatoio

- ◆ Togliere il tappo dell'olio (12) e riempire il serbatoio con l'olio per catena consigliato fino a quando il livello dell'olio non ha raggiunto il limite superiore dell'indicatore del livello olio (13).
- ◆ Rimettere il tappo del serbatoio dell'olio.
- ◆ Spegnerne periodicamente l'elettrosega e controllare l'indicatore del livello dell'olio per accertarsi che la barra di guida e la catena siano adeguatamente lubrificate.

Collegamento di un cavo di prolunga

Nell'impugnatura con l'interruttore è presente un reggicavo (11) per il cavo di prolunga, che ha lo scopo prevenire che il cavo di prolunga si stacchi accidentalmente.

- ◆ Raddoppiare la prolunga e inserirla nella fessura (21) all'estremità dell'area dell'impugnatura, come mostrato nella Figura H. Agganciare l'anello formato dal raddoppio del cavo al fermacavo (11). Tirare delicatamente il cavo per assicurarsi che sia incastrato saldamente nell'impugnatura. Collegare la spina del cavo di prolunga alla presa per il cavo di alimentazione (12) dell'elettrosega.

Trasporto dell'elettrosega

- ◆ Quando si trasporta l'elettrosega coprire sempre la barra di guida (4) con il copribarra (9) (Figura J).
- ◆ Quando la macchina non viene utilizzata, è opportuno spingere in avanti il paramano anteriore (3), in modo da isolarla. Quando l'elettrosega è in funzione l'operatore non deve spostarsi.

Uso dell'elettrosega

Avvertenza! leggere e comprendere tutte le istruzioni. La mancata osservanza di tutte le istruzioni seguenti può dar luogo a scossa elettrica, incendio e/o gravi lesioni personali.

Accensione e spegnimento

- ◆ Per accendere l'elettrosega premere il pulsante di blocco di sicurezza (2) e successivamente il grilletto di azionamento (1), come illustrato nella Figura H. (Una volta che l'elettrosega si è avviata è possibile rilasciare il pulsante di blocco di sicurezza.)

- ◆ Per spegnere l'elettrosega rilasciare grilletto di azionamento.

Nota: non è possibile accendere l'elettrosega se il paramano anteriore (3) non è nella posizione di sblocco.

Come sbloccare il paramano anteriore

- ◆ Verificare che l'elettrosega sia staccata dalla rete elettrica.
- ◆ Tirare indietro il paramano anteriore (3) nella posizione di sblocco.
- ◆ A questo punto l'elettrosega è pronta per essere usata.

Funzionamento del paramano anteriore

In caso di contraccolpo la mano sinistra dell'operatore viene a contatto con il paramano anteriore (3) spingendolo avanti verso il pezzo che si sta tagliando e arresta l'elettrosega in una frazione di secondo.

Abbattimento di alberi (Fig. K, L e M)

Degli operatori poco esperti non devono tentare di abbattere alberi. Potrebbero ferirsi o causare danni alle cose se non riescono a controllare la direzione di abbattimento; l'albero potrebbe scheggiarsi o dei rami danneggiati/morti potrebbero cadere durante il:

La distanza di sicurezza da mantenere fra un albero da abbattere e gli astanti, gli edifici o altri oggetti è di almeno 2 volte e mezza l'altezza dell'albero. Eventuali astanti, edifici o oggetti presenti entro questa distanza sono esposti al rischio di essere colpiti dall'albero abbattuto.

Prima di tentare di abbattere un albero:

- ◆ assicurarsi che le leggi e i regolamenti locali non proibiscano o controllino l'abbattimento di un albero.
- ◆ Tenere conto di tutto ciò che può influire sulla direzione di caduta, tra cui:
 - ◆ La direzione di caduta desiderata.
 - ◆ L'inclinazione naturale dell'albero:
 - ◆ L'eventuale peso inusuale del ramo e la possibilità che questo sia secco o marcio.
 - ◆ Gli alberi e gli ostacoli circostanti, comprese le linee elettriche aeree e le fogne sotterranee.
 - ◆ La velocità e direzione del vento.

Mettere a punto un programma di sicurezza che consenta di allontanarsi dai rami o dall'albero che stanno per essere abbattuti.

Verificare che il percorso per allontanarsi sia privo di ostacoli che potrebbero intralciare i movimenti. Ricordare che l'erba umida e la corteccia appena tagliata sono scivolose.

- ◆ Non tentare di abbattere alberi il cui diametro sia superiore alla lunghezza di taglio dell'elettrosega:
- ◆ Praticare un'incisione nel tronco per determinare la direzione di caduta.
- ◆ Praticare un taglio orizzontale a una profondità che va da un quinto a un terzo del diametro dell'albero, perpendicolarmente alla linea di caduta alla base dell'albero (Fig. K).

- ◆ Praticare un secondo taglio dall'alto in modo che si intersechi con il primo e consenta di ottenere un'incisione di 45° circa.
- ◆ Praticare un unico taglio orizzontale di abbattimento dall'altro lato a 25 - 50 mm al di sopra del centro dell'incisione di direzione (Fig. L). Non tagliare completamente fino all'incisione di direzione dato che si perderebbe il controllo della direzione di caduta.
- ◆ Inserire uno o più cunei nel taglio per allargarlo e abbattere l'albero (Fig. M).

Potatura di alberi

Assicurarsi che le leggi e i regolamenti locali non proibiscano o disciplinino la potatura di rami. La potatura deve essere eseguita solo da persone esperte, perché il rischio di schiacciamento e di contraccolpo della catena della motosega è maggiore.

Prima di eseguire la potatura, prendere in considerazione le condizioni prevalenti che potrebbero influire sulla direzione di caduta, tra cui:

- ◆ Lunghezza e peso del ramo da tagliare.
- ◆ L'eventuale peso inusuale del ramo e la possibilità che questo sia secco o marcio.
- ◆ Gli alberi e gli ostacoli circostanti, comprese le linee elettriche aeree.
- ◆ La velocità e direzione del vento:
- ◆ Il fatto che il ramo sia intrecciato con altri rami.

L'operatore deve inoltre considerare come raggiungere il ramo e l'eventuale direzione di caduta. È probabile che il ramo oscilli verso il tronco. Sono infatti a rischio non solo l'operatore e gli astanti, ma anche oggetti e cose.

- ◆ Per evitare la scheggiatura, eseguire il primo taglio verso l'alto a una profondità massima pari a un terzo del diametro del ramo.
- ◆ Praticare il secondo taglio verso il basso in modo da intersecarsi con il primo.

Taglio di tronchi (Fig. N, O e P)

La procedura di taglio dipende dal sostegno che regge il tronco. Quando possibile, fare uso di un cavalletto.

Iniziare sempre a tagliare con la catena in funzione e il paracolpi dentato (22) a contatto con il legno (Fig. N). Per completare il taglio ricorrere all'azione rotante del paracolpi dentato contro il legno.

Tronchi sostenuti per l'intera lunghezza:

- ◆ praticare il taglio dall'alto verso il basso, evitando di toccare il suolo per non smussare i taglienti della catena dell'elettrosega.

Tronchi sostenuti alle estremità:

- ◆ tagliare, in primo luogo, un terzo del diametro verso il basso per evitare scheggiature, quindi proseguire a tagliare fino a raggiungere il primo intaglio.

Tronchi sostenuti a un'estremità:

- ◆ in primo luogo tagliare un terzo di diametro nella parte superiore, poi tagliare in basso per evitare scheggiature.

Su un pendio:

- ◆ restare sempre sul lato alto del pendio.

Tentativo di tagliare un tronco che giace sul terreno (Fig. O):

- ◆ fissare il tronco per mezzo di cunei o zeppe. L'operatore o i presenti non devono tenere fermo il tronco sedendosi su di esso o salendovi sopra in piedi. Accertarsi che l'elettrosega non venga a contatto del terreno.

Uso di un cavalletto (Fig. P):

quando è possibile, si consiglia vivamente di adoperare un cavalletto.

- ◆ Collocare il tronco in posizione stabile. Tagliare sempre all'esterno dei bracci del cavalletto. Usare morse o fasce per fissare il pezzo da tagliare.

Sramatura (Fig. Q)

Per rimuovere i rami di un albero abbattuto, lasciare i rami inferiori più grossi a sostenere il tronco in modo che sia sollevato da terra e rimuovere i rami più piccoli con un solo taglio. I rami sotto tensione devono essere tagliati dalla base verso la cima per evitare che l'elettrosega s'inceppi. Potare i rami dal lato opposto del tronco, in modo che questo si frapponga tra l'elettrosega e il corpo dell'operatore. Non eseguire mai dei tagli tenendo l'elettrosega tra le gambe o a cavalcioni sul ramo da tagliare.

Guida per la risoluzione dei problemi

Problema	Possibile causa	Possibile soluzione
L'elettrotensile non si accende	Pulsante di blocco non premuto	Premere il pulsante di blocco
	Paramano anteriore nella posizione di freno catena	Ripristinare la posizione del paramano anteriore catena
	Fusibile bruciato	Sostituire il fusibile
	Dispositivo RCD scattato	Controllare il dispositivo RCD
	Cavo di alimentazione non collegato	Controllare l'alimentazione di rete
La catena non si arresta entro 2 secondi dallo spegnimento dell'elettrosega	La catena è troppo allentata	Controllare la tensione della catena

Problema	Possibile causa	Possibile soluzione
La barra di guida/la catena appaiono calde/fuoriesce fumo	Svuotare il serbatoio dell'olio	Controllare il livello del serbatoio dell'olio
	Foro di uscita olio ostruito nella barra di guida	Pulire i fori di uscita dell'olio e la scanalatura attorno al bordo della barra di guida della catena
	La catena è troppo tesa	Controllare la tensione della catena
	La punta del rocchetto di trasmissione della barra di guida deve essere lubrificata	Lubrificare la punta dell'ingranaggio della barra di guida
L'elettrosega non taglia bene	La catena si muove all'indietro	Controllare/modificare la direzione di movimento della catena
	La catena è "spuntata"	Affilare o sostituire la catena
L'elettrosega non usa olio	Impurità nel serbatoio	Svuotare l'olio dal serbatoio e sostituirlo
	Foro di lubrificazione nel tappo intasato	Eliminare le impurità dal foro
	Detriti presenti nella barra di guida della catena	Eliminare i detriti e pulire la barra di guida della catena
	Impurità presenti nello scarico dell'olio	Eliminare le impurità

Manutenzione

La manutenzione regolare garantisce la durata dell'elettrotensile e le sue prestazioni. Si consiglia di eseguire regolarmente i controlli seguenti.

Avvertenza! Prima di eseguire interventi di manutenzione su elettrotensili con o senza filo, procedere come descritto di seguito.

- ◆ Spegner e scollegare l'elettrotensile dall'alimentazione elettrica.

Livello dell'olio

Il livello dell'olio nel serbatoio non deve scendere di oltre un quarto del livello massimo.

Catena e barra di guida (Fig. F)

- ◆ Dopo alcune ore d'uso e prima di riporre l'elettrosega, smontare la barra di guida (4) e la catena (5) e pulirle a fondo.
- ◆ Accertarsi che la protezione sia pulita e priva di frammenti.

Avvertenza! non serrare eccessivamente,

- ◆ Lubrificare la punta del rocchetto di trasmissione attraverso l'apposito foro di lubrificazione affinché il lubrificante sia distribuito uniformemente sui binari della barra di guida.

Affilatura della catena

Per ottenere prestazioni ottimali, è importante mantenere affilati i taglienti della catena dell'elettrosega.

Sostituzione delle catene del potatore consumate

Le catene di ricambio dell'elettrosega sono disponibili presso i rivenditori o i centri di assistenza BLACK+DECKER. Utilizzare esclusivamente pezzi di ricambio originali.

Catena di ricambio:

BECS1835: Catena di 35 cm cod. A6235CS

BECS2040: Catena di 40 cm cod. A6240CS

BECS2245: Catena di 45 cm cod. A6235CS

Filo della catena

I taglienti della catena dell'elettrosega perdono immediatamente il filo se toccano il terreno o un chiodo durante il taglio.

Tensione della catena

Controllare regolarmente la tensione della catena.

Riparazione dell'elettrosega.

Questa elettrosega è stata fabbricata conformemente ai requisiti di sicurezza in vigore. Le riparazioni devono essere affidate esclusivamente a personale qualificato ed eseguite solo con pezzi di ricambio originali, per evitare di esporre gli operatori a considerevoli rischi. Consigliamo di conservare il presente manuale d'uso in un luogo sicuro.

Sostituzione della spina (solo per Regno Unito e Irlanda)

Se dovesse essere necessario installare una nuova spina:

- ◆ Smaltire la vecchia spina in modo sicuro.
- ◆ collegare il filo marrone al morsetto sotto tensione della nuova spina;
- ◆ Collegare il cavo blu al terminale neutro.

Avvertenza! non deve essere effettuato alcun collegamento al terminale di messa a terra. seguire le istruzioni di montaggio fornite con le spine di buona qualità. Fusibile consigliato: 10 A.

Tutela ambientale



Raccolta differenziata. I prodotti e le batterie contrassegnati con questo simbolo non devono essere smaltiti con i rifiuti domestici normali.

Prodotti e batterie contengono materiali che possono essere recuperati o riciclati, riducendo la richiesta di materie prime. Riciclare i prodotti elettrici e le batterie attenendosi alle disposizioni locali vigenti. Ulteriori informazioni sono disponibili online all'indirizzo www.2helpU.com.

Dati tecnici

		BECS1835 Tipo 1	BECS2040 Tipo 1	BECS2245 Tipo 1
Tensione	V _{ca}	230 V	230 V	230 V
Lunghezza barra	cm	35	40	46
Lunghezza massima barra	mm	419	459	511
Velocità della catena (a vuoto)	m/sm	14,5	14,5	14,5
Lunghezza massima di taglio (cm)	mm	319	368	407
Capacità serbatoio dell'olio	ml	170	170	170
Peso (senza catena, barra di guida e olio)	kg	4,1	4,1	4,3

BECS1835 - Valori di emissione di rumore misurati ai sensi della norma EN62841:

LpA (pressione sonora) 99 dB(A), incertezza (K) 3 dB(A)
LwA (potenza sonora) 109 dB(A), incertezza (K) 1,6 dB(A)

BECS1835 - Valori totali di emissione di vibrazioni (somma vettoriale delle tre componenti sugli assi cartesiani), in conformità alla norma EN 602841:

Valore di emissione di vibrazioni (a_{hv}) = 3,8 m/s², incertezza (K) = 1,5 m/s²

BECS2040 - Valori di emissione di rumore misurati ai sensi della norma EN62841:

LpA (pressione sonora) 100 dB(A), incertezza (K) 3 dB(A)
LwA (potenza sonora) 110 dB(A), incertezza (K) 1,8 dB(A)

BECS2040 - Valori totali di emissione di vibrazioni (somma vettoriale delle tre componenti sugli assi cartesiani), in conformità alla norma EN 602841:

Valore di emissione di vibrazioni (a_{hv}) = 5,2 m/s², incertezza (K) = 1,5 m/s²

BECS2245 - Valori di emissione di rumore misurati ai sensi della norma EN62841:

LpA (pressione sonora) 98 dB(A), incertezza (K) 3 dB(A)
LwA (potenza sonora) 108 dB(A), incertezza (K) 1,6 dB(A)

BECS2245 - Valori totali di emissione di vibrazioni (somma vettoriale delle tre componenti sugli assi cartesiani), in conformità alla norma EN 602841:

Valore di emissione di vibrazioni (a_{hv}) = 4,1 m/s², incertezza (K) = 1,5 m/s²

Dichiarazione CE di conformità
DIRETTIVA MACCHINE



BECS1835, BECS2040, BECS2245 - Elettrosega

Black & Decker dichiara che i prodotti descritti nella sezione "Dati tecnici" sono conformi alle seguenti normative:

2006/42/CE,

EN 62841-1:2015+A11:2022, EN 62841-4-1:2020
2000/14/CE, Allegato V

BECS2040: LWA (livello di potenza sonora misurato) 110 dB(A),

incertezza (K) = 1,8 dB(A),

LWA (pressione sonora garantita) 112 dB(A)

BECS1835: Livello di potenza sonora misurato LWA: 109 dB(A). K = 1,6 dB(A).

Potenza sonora garantita LWA: 111 dB(A).

BECS2245: Livello di potenza sonora misurato LWA: 108 dB(A). K = 1,6 dB(A).

Potenza sonora garantita LWA: 110 dB(A)

Questi prodotti sono inoltre conformi alle direttive
2014/30/UE e 2011/65/UE.

Per maggiori informazioni contattare Black & Decker al seguente indirizzo oppure consultare l'ultima di copertina del manuale.

Il firmatario è responsabile della compilazione del fascicolo tecnico e rende questa dichiarazione per conto di Black & Decker.

Patrick Diepenbach

Patrick Diepenbach
Direttore generale, Benelux
Black & Decker,
Egide Walschaertsstraat 14-18
2800 Mechelen, Belgio
17/02/2023

Garanzia

Certa della qualità dei suoi prodotti, Black & Decker offre 24 mesi di garanzia* dalla data di acquisto. Questa garanzia aggiuntiva non pregiudica in alcun modo i diritti del consumatore previsti dalla legge.

La garanzia è valida sui territori degli stati membri dell'Unione Europea, dell'EFTA (Associazione europea di libero scambio) e del Regno Unito.

Per attivare la garanzia, la richiesta di intervento e riparazione in garanzia deve essere effettuata in accordo con i Termini e condizioni Black & Decker e sarà necessario presentare la prova di acquisto al venditore o al tecnico riparatore di un centro di assistenza autorizzato. I Termini e condizioni della garanzia Black & Decker di 2 anni e la sede del centro di assistenza autorizzato più vicino sono consultabili su Internet all'indirizzo www.2helpU.com, o contattando l'ufficio Black & Decker di zona all'indirizzo indicato in questo manuale.

Visitare il nostro sito www.blackanddecker.co.uk per registrare il nuovo prodotto Black & Decker e ricevere gli aggiornamenti sui nuovi prodotti e le offerte speciali.

Bedoeld gebruik

Uw BLACK+DECKER™ BECS1835, BECS2040, BECS2245 kettingzaag werd ontworpen voor het vellen van bomen en zagen van takken. Dit gereedschap is uitsluitend bestemd voor consumentengebruik.

Veiligheidsinstructies

Algemene veiligheidswaarschuwingen voor elektrisch gereedschap



Waarschuwing! Lees alle veiligheidswaarschuwingen, instructies, illustraties en specificaties die bij dit gereedschap zijn meegeleverd. Het niet opvolgen van alle onderstaande instructies kan leiden tot een elektrische schok, brand en/of ernstig letsel.

Bewaar alle waarschuwingen en instructies als referentiemateriaal.

De term 'elektrisch gereedschap' in alle onderstaande waarschuwingen, heeft betrekking op elektrisch gereedschap voor gebruik op netspanning (met netsnoer) of met een accu (snoerloos).

1. Veiligheid van de werkomgeving

- Houd uw werkomgeving schoon en goed verlicht.** Op rommelige of donkere plaatsen zullen sneller ongelukken gebeuren.
- Gebruik elektrisch gereedschap niet in explosieve omgevingen, zoals in de nabijheid van brandbare vloeistoffen, gasen of stof.** Elektrisch gereedschap veroorzaakt vonken die het stof of de dampen kunnen doen ontbranden.
- Houd kinderen en omstanders op afstand tijdens het gebruik van elektrisch gereedschap.** Als u wordt afgeleid, kunt u de controle over het gereedschap verliezen.

2. Elektrische veiligheid

- Stekkers van elektrisch gereedschap moeten in het stopcontact passen. Pas de stekker nooit op enige manier aan. Gebruik geen adapterstekkers in combinatie met geaard elektrisch gereedschap.** Niet-aangepaste stekkers en passende contactdozen verminderen het risico van een elektrische schok.
- Vermijd contact van het lichaam met gearde oppervlakken, zoals buizen, radiatoren, fornuizen en koelkasten.** Er bestaat een verhoogd risico op een elektrische schok als uw lichaam contact maakt met de aarding.
- Stel elektrisch gereedschap niet bloot aan regen of natte omstandigheden.** Als er water in elektrisch gereedschap dringt, verhoogt dit het risico op een elektrische schok.

- d. **Behandel het snoer voorzichtig. Gebruik het snoer nooit om het elektrisch gereedschap te dragen of naar u toe te trekken of om de stekker uit het stopcontact te trekken. Houd het snoer uit de buurt van warmtebronnen, olie, scherpe randen, of bewegende onderdelen.** Beschadigde snoeren of snoeren die in de war zijn geraakt, verhogen het risico van een elektrische schok.
- e. **Gebruik, wanneer u buitenshuis met elektrisch gereedschap werkt, alleen verlengsnoeren die zijn goedgekeurd voor gebruik buitenshuis.** Gebruik een verlengsnoer dat geschikt is voor gebruik buitenshuis, om het risico op een elektrische schok te verminderen.
- f. **Als het gebruiken van elektrisch gereedschap op een vochtige locatie onvermijdbaar is, gebruik dan een door een verliesstroomschakelaar (RCD) beschermde voeding.** Het gebruik van een aardlekschakelaar vermindert het risico van een elektrische schok.
3. **Persoonlijke veiligheid**
- a. **Blijf alert, let goed op wat u doet en gebruik uw gezond verstand tijdens het werken met elektrisch gereedschap. Gebruik elektrisch gereedschap niet als u vermoeid bent of als u onder invloed van drugs, alcohol of geneesmiddelen bent.** Een moment van onoplettendheid tijdens het werken met elektrisch gereedschap kan leiden tot ernstig persoonlijk letsel.
- b. **Draag persoonlijke beschermende uitrusting. Draag altijd oogbescherming.** Beschermende uitrusting, zoals een stofmasker, antislip veiligheidsschoenen, een helm of gehoorbescherming, gebruikt in de juiste omstandigheden, zal het risico op persoonlijk letsel verminderen.
- c. **Voorkom per ongeluk inschakelen. Verzeker, voordat u de stekker in het stopcontact steekt en/of de accu plaatst en voordat u het gereedschap optilt of draagt, dat de schakelaar in de uit-stand staat.** Het dragen van elektrisch gereedschap met uw vinger op de schakelaar of het inschakelen van elektrisch gereedschap waarvan de schakelaar aan staat, kan leiden tot ongelukken.
- d. **Verwijder stelsleutels of steeksleutels voordat u het elektrisch gereedschap inschakelt.** Een steeksleutel of een inbussleutel in een draaiend deel van het elektrisch gereedschap kan persoonlijk letsel veroorzaken.
- e. **Reik niet buiten uw macht. Blijf te allen tijde stevig en in evenwicht staan.** Dit geeft u meer controle over het elektrisch gereedschap in onverwachte situaties.
- f. **Draag geschikte kleding. Draag geen loszittende kleding of sieraden. Houd uw haar, kleding en handschoenen uit de buurt van bewegende onderdelen.** Loszittende kleding, sieraden of lang haar kunnen door bewegende delen worden gegrepen.
- g. **Als voorzieningen voor stofafzuiging of een stofopvang kunnen worden gemonteerd, controleer dan dat deze zijn aangesloten en op de juiste manier worden gebruikt.** Het gebruik van stofafzuiging kan aan stof gerelateerde gevaren verminderen.
- h. **Word niet gemakzuchtig doordat u door veelvuldig gebruik vertrouwd bent geraakt met het gereedschap en verlies de veiligheidsbeginselen niet uit het oog.** Een onvoorzichtige handeling kan in een fractie van een seconde ernstig letsel veroorzaken.
4. **Gebruik en onderhoud van elektrisch gereedschap**
- a. **Forceer het elektrisch gereedschap niet. Gebruik het juiste elektrisch gereedschap voor uw toepassing.** Met het juiste elektrisch gereedschap kunt u de werkzaamheden waarvoor het gereedschap is ontworpen, beter en veiliger uitvoeren.
- b. **Gebruik het elektrisch gereedschap niet als het niet met de schakelaar in- en uitgeschakeld kan worden.** Elk elektrisch gereedschap dat niet met de schakelaar kan worden bediend, is gevaarlijk en moet worden gerepareerd.
- c. **Trek de stekker uit het stopcontact en/of haal de accu uit het elektrisch gereedschap voordat u aanpassingen doet, accessoires wisselt of elektrisch gereedschap opbergt.** Dergelijke preventieve veiligheidsmaatregelen verlagen het risico op het per ongeluk starten van het elektrisch gereedschap.
- d. **Bewaar elektrisch gereedschap dat niet wordt gebruikt buiten bereik van kinderen en laat personen die er niet vertrouwd mee zijn en deze aanwijzingen niet hebben gelezen niet met het gereedschap werken.** Elektrisch gereedschap is gevaarlijk in handen van niet opgeleide gebruikers.
- e. **Onderhoud het gereedschap goed. Controleer op verkeerde uitlijning en het aanlopen van bewegende onderdelen, breuk van onderdelen en andere omstandigheden die de werking van het elektrisch gereedschap nadelig kunnen beïnvloeden. Laat het gereedschap voor gebruik repareren, als het is beschadigd.** Veel ongelukken worden veroorzaakt doordat elektrisch gereedschap niet goed is onderhouden.
- f. **Houd zaag- en snijgereedschap scherp en schoon.** Goed onderhouden gereedschap met scherpe snijranden loopt minder snel vast en is gemakkelijker onder controle te houden.
- g. **Gebruik elektrisch gereedschap, toebehoren, zaagjes en boortjes, enz., volgens deze aanwijzingen. Let daarbij op de arbeidsomstandigheden en de uit te voeren werkzaamheden.** Gebruik van het elektrische gereedschap voor werkzaamheden die anders zijn dan het bedoelde gebruik, kunnen leiden tot een gevaarlijke situatie.

h. **Houd de handgrepen en oppervlakken die u beet pakt droog, schoon en vrij van olie en vet.** Gladde handgrepen en greepoppervlakken maken het moeilijk het gereedschap veilig te hanteren en onder controle te houden in onverwachte situaties.

5. Onderhoud

a. **Laat uw elektrisch gereedschap alleen repareren een gekwalificeerd monteur en alleen met originele vervangonderdelen.** Dit zal ervoor zorgen dat de veiligheid van het gereedschap gewaarborgd blijft.

Algemene veiligheidswaarschuwingen voor kettingzagen



Waarschuwing! Aanvullende veiligheidswaarschuwingen voor kettingzagen

- ◆ **Houd alle lichaamsdelen uit de buurt van de zaagketting terwijl de kettingzaag in bedrijf is. Controleer voordat u de kettingzaag start, of de zaagketting niets raakt.** Een moment van onoplettendheid bij het gebruik van kettingzagen kan ertoe leiden dat u uw kledingstukken of lichaamsdelen in de kettingzaag verstrikt raken.
- ◆ **Houd altijd uw rechterhand op de achterste handgreep van de kettingzaag en uw linkerhand op de voorste handgreep.** Houd de kettingzaag nooit anders vast, aangezien hierdoor het gevaar voor lichamelijke letsels toeneemt.
- ◆ **Houd de kettingzaag alleen vast bij de geïsoleerde greepoppervlakken, omdat de kettingzaag met verborgen bedrading in aanraking kan komen.** Wanneer een draad 'onder spanning' met een kettingzaag wordt geraakt, kunnen niet afgeschermd metalen onderdelen van het gereedschap 'onder spanning' komen te staan de gebruiker een elektrische schok krijgen.
- ◆ **Draag oogbescherming. Ook wordt het dragen van beschermende uitrusting voor hoofd, handen, benen en voeten aanbevolen.** Een adequate beschermende uitrusting vermindert persoonlijk letsels door rondvliegende snippers of onbedoeld contact met de zaagketting.
- ◆ **Gebruik het gereedschap niet in een boom, op een ladder, vanaf het dak of enige andere instabiele ondersteuning.** Het op deze manier gebruiken van een kettingzaag kan tot ernstig persoonlijk letsel leiden.
- ◆ **Zorg er altijd voor dat u stevig staat en gebruik de kettingzaag alleen wanneer u op een stabiel, veilig en horizontaal vlak staat.** Gladde of instabiele vlakken, zoals ladders, kunnen ervoor zorgen dat het evenwicht of de controle over de kettingzaag wordt verloren.
- ◆ **Wees erop bedacht dat takken die worden belast, kunnen terugveren wanneer u deze doorzaagt.**

Zodra de spanning in de houtvezels vrijkomt, kan de gebruiker door de tak worden geraakt en/of de kettingzaag ongecontroleerd wegslingeren.

- ◆ **Ga zeer voorzichtig te werk bij het zagen van struikgewas of jong hout.** Het dunne materiaal kan in de zaagketting vast komen te zitten en naar u toe zwiepen of u uw evenwicht doen verliezen.
- ◆ **Draag de kettingzaag aan de voorste handgreep, in uitgeschakelde toestand en van uw lichaam af gericht. Plaats altijd de kap over het zwaard als u de kettingzaag vervoert of bewaart.** Een juist gebruik van de kettingzaag verkleint de kans op een ongewild contact met de bewegende zaagketting.
- ◆ **Volg de instructies voor het smeren, het spannen en vervangen van het zwaard en de ketting.** Een onjuist gespannen of gesmeerde zaagketting kan breken of de kans op terugslag vergroten.
- ◆ **Zaag uitsluitend hout. Gebruik de kettingzaag niet voor doeleinden waarvoor deze niet bestemd is. Gebruik de kettingzaag niet voor het zagen van metaal, kunststof, metselwerk of bouwmaterialen die niet van hout zijn.** Gebruik voor andere doeleinden dan waarvoor de kettingzaag bestemd is, kan leiden tot gevaarlijke situaties.
- ◆ **Probeer geen boom te vellen voordat u volledig begrijpt welke risico's hieraan zijn verbonden en hoe u deze risico's kunt vermijden.** Het vellen van een boom kan ernstig letsel van de gebruiker of omstanders veroorzaken.
- ◆ **Indien er sprake is van geblokkeerd materiaal, opslag of onderhoud/repairatie van de kettingzaag, dienen alle instructies opgevolgd te worden. Zorg ervoor dat het gereedschap van de netspanning is losgekoppeld.** Het onverwacht in werking stellen van de kettingzaag, terwijl blokkerend materiaal wordt verwijderd of onderhoud/repairatie wordt uitgevoerd, kan ernstig letsel tot gevolg hebben.
- ◆ **Draag nauwsluitende en beschermende kleding en een veiligheidshelm met beschermglas of een veiligheidsbril, antislip veiligheidsschoeisel, een beschermde broek en stevige lederen handschoenen.**
- ◆ **Zorg dat u buiten de baan blijft van vallende takken.**
- ◆ **De veilige afstand tussen een tak die wordt afgesnoeid en omstanders, gebouwen en andere objecten is ten minste 2 1/2 keer de lengte van de tak.** Een omstander, gebouw of object binnen deze afstand loopt het risico door de vallende tak te worden geraakt.
- ◆ **Plan van tevoren een veilige uitweg, uit de buurt van vallende takken. Zorg dat de vluchtweg vrij is van obstakels die u zouden kunnen hinderen. Bedenk dat nat gras en vers gezaagde boomschors glad zijn.**

- ◆ Zorg dat er iemand in de buurt (maar op veilige afstand) is voor het geval er zich een ongeluk voordoet.
- ◆ Gebruik het gereedschap niet als u in een boom, op een ladder of op een ander onstabiel oppervlak staat.
- ◆ Blijf te allen tijde stevig en in evenwicht staan.
- ◆ Houd het gereedschap stevig met beide handen vast als de motor draait.
- ◆ Laat de bewegende zaagketting niets raken met de top van het zwaard.
- ◆ Zaag uitsluitend met de zaagketting draaiend op volle snelheid.
- ◆ Steek de zaag niet in een vorige zaagsnede. Maak altijd een nieuwe zaagsnede.
- ◆ Let op voor bewegende takken of andere krachten die de zaagsnede kunnen dichtknijpen of met de zaagketting in aanraking kunnen komen.
- ◆ Zaag geen takken af waarvan de diameter groter is dan de zaaglengte van de kettingzaag.
- ◆ Plaats de beschermkap altijd over de zaagketting wanneer u het gereedschap opbergt of vervoert.
- ◆ Zorg dat de ketting geslepen en op de juiste spanning blijft. Controleer regelmatig de kettingspanning.
- ◆ Schakel het gereedschap uit, koppel de voeding los, laat de zaagketting tot stilstand komen voordat u aanpassingen maakt of onderhoud uitvoert.
- ◆ Gebruik uitsluitend de juiste, voor het apparaat bestemde reserveonderdelen en accessoires.
- ◆ Houd de handvatten droog, schoon en vrij van olie en vet. Vettige handvatten zijn glad en u kunt daardoor de controle over het gereedschap verliezen.
- ◆ De gekartelde stootrand kan scherp worden naarmate u het apparaat langer gebruikt. Ga voorzichtig te werk.
- ◆ Het zwaard kan warm worden, wees voorzichtig.

Oorzaken en voorkoming van terugslag

Er kan terugslag optreden wanneer de punt van het zwaard op een voorwerp stoot of het hout terugveert en de zaagketting in de zaagsnede klem komt te zitten.

Als de punt een voorwerp raakt, kan het zwaard plotseling omhoog en naar achter slaan in de richting van uw lichaam. Wanneer de zaagketting aan de bovenzijde van het zwaard klem komt te zitten, kan het zwaard snel achterwaarts in de richting van deur gebruiken worden geduwd.

Door deze beide reacties kunt u de controle over de kettingzaag verliezen en ernstig lichamelijk letsel oplopen. Vertrouw niet uitsluitend op de ingebouwde veiligheidsvoorzieningen van de kettingzaag. Als gebruiker van de kettingzaag kunt u ook zelf het nodige doen om ongevallen of letsel tijdens de zaagwerkzaamheden te voorkomen.

Terugslag is het gevolg van het verkeerde gebruik of onjuiste gebruiksomstandigheden van het gereedschap.

Met geschikte voorzorgsmaatregelen, zoals hieronder zijn beschreven, kan terugslag worden voorkomen:

- ◆ **Zorg voor een stevige grip door uw duimen en vingers om de handgrepen te sluiten. Houd de kettingzaag met beide handen vast en houd uw lichaam en armen zodanig dat u weerstand kunt bieden aan de terugslagkrachten.** Met geschikte voorzorgsmaatregelen kunt u de terugslagkrachten onder controle houden. Laat de kettingzaag niet los.
- ◆ **Reik niet buiten uw macht en zaag niet boven schouderhoogte.** Dit voorkomt ongewild contact met de punt en zorgt ervoor dat u de kettingzaag in onverwachte situaties beter onder controle kunt houden.
- ◆ **Gebruik uitsluitend door de fabrikant genoemde vervangingsonderdelen.** Het gebruik van onjuiste zwaarden en zaagkettingen kunnen kettingbreuk en/of terugslag veroorzaken.
- ◆ **Volg de slijp- en onderhoudsinstructies van de fabrikant voor de zaagketting.** Verkleining van de dieptemaat kan tot meer terugslag leiden.

Veiligheidsaanbevelingen voor de kettingzaag

- ◆ Onervaren gebruikers wordt sterk aangeraden een ervaren gebruiker om praktische instructies over het gebruik van de kettingzaag en veiligheidsuitrusting te vragen.
De eerste ervaringen kunnen het beste worden opgedaan met het zagen van stammen op een zaagbok of montageframe.
- ◆ Wij raden aan om tijdens het dragen van de kettingzaag de accu te verwijderen en de zaagketting naar achter te richten.
- ◆ Onderhoud uw kettingzaag als u deze niet gebruikt. Berg de kettingzaag niet op zonder dat u eerst de ketting en het zwaard uit de zaag hebt verwijderd en ondergedompeld in olie hebt bewaard. Bewaar alle onderdelen van uw kettingzaag op een droge, veilige plaats, buiten bereik van kinderen.
- ◆ Plaats het snoer zodat het tijdens het zagen niet achter een tak of iets dergelijks blijft haken
- ◆ Laat het oliereservoir leeglopen voordat u de kettingzaag opbergt.
- ◆ Zorg dat u stevig staat en zoek van tevoren naar een veilige uitweg voor vallende bomen of takken.
- ◆ Maak gebruik van wiggen om controle te houden over het kapproces en om te voorkomen dat de ketting en het zwaard in de zaagsnede vast komen te zitten.
- ◆ Onderhoud de zaagketting. Houd de zaagketting scherp en zorg dat deze stevig tegen het zwaard ligt. Zorg dat de zaagketting en het zwaard schoon en goed geolied zijn. Houd de handvatten droog, schoon en vrij van olie en vet.

Terugslag kan worden veroorzaakt door:

- ◆ Het per ongeluk raken van takken of andere voorwerpen met de punt van de zaag, terwijl de zaagketting in beweging is.
- ◆ Het raken van metaal, cement of andere harde materialen in of in de buurt van het hout.
- ◆ Een botte of losse zaagketting.
- ◆ Het zagen boven schouderhoogte.
- ◆ Gebrek aan aandacht bij het vasthouden of leiden van de kettingzaag tijdens het zagen.
- ◆ Te hoog reiken. Zorg altijd voor een juiste, stabiele houding en reik niet te ver.
- ◆ Steek de zaag niet in een vorige zaagsnede. Dit kan een terugslag veroorzaken. Maak elke keer een nieuwe zaagsnede.
- ◆ Gebruik geen kettingzaag als u zich in een boom, op een ladder of op een ander onstabiel oppervlak bevindt. Als u dit wel doet, dient u te beseffen dat deze posities extreem gevaarlijk zijn.
- ◆ Bij het zagen van een tak die onder spanning staat, moet u er rekening mee houden dat deze kan terugspringen. Zorg dat u dan niet geraakt wordt.

Zaag niet:

- ◆ In geprepareerd hout.
- ◆ In de grond.
- ◆ In gaasafasteringen, spijkers, enz.
- ◆ In kort struikgewas of jong hout, want dun materiaal kan in de zaagketting vast komen te zitten en naar u toe zwiepen of u uit balans trekken.
- ◆ Gebruik de kettingzaag niet boven schouderhoogte.
- ◆ Zorg dat er iemand in de buurt (maar op veilige afstand) is voor het geval er zich een ongeluk voordoet.
- ◆ Zorg dat de kettingzaag niet meer op de netspanning is aangesloten wanneer u de zaagketting om bepaalde redenen moet aanraken.
- ◆ Het geluidsniveau van dit product kan meer dan 80 dB(A) bedragen. Het is daarom raadzaam om adequate maatregelen te nemen om uw gehoor te beschermen.

Overige risico's

Er kunnen zich bij het gebruik van dit gereedschap nog meer risico's vormen, die mogelijk niet in de bijgesloten veiligheidswaarschuwingen worden vermeld. Deze risico's kunnen zich voordoen door misbruik, langdurig gebruik, enz. Zelfs wanneer de veiligheidsvoorschriften in acht worden genomen en de veiligheidsvoorzieningen worden gebruikt, kunnen bepaalde risico's niet worden vermeden. Dit zijn onder meer:

- ◆ Verwondingen die worden veroorzaakt door het aanraken van draaiende of bewegende onderdelen.
- ◆ Verwondingen die worden veroorzaakt bij het vervangen van onderdelen, bladen of accessoires.

- ◆ Letsels die worden veroorzaakt door langdurig gebruik van gereedschap. Wanneer u gereedschap gedurende langere periodes gebruikt, neem dan regelmatig pauzes.
- ◆ Gehoorbeschadiging.
- ◆ Gezondheidsrisico's door het inademen van stof dat vrijkomt tijdens het gebruiken van uw gereedschap (bijvoorbeeld:- het werken met hout, in het bijzonder eik, beuk en MDF.)

Trilling

De in de technische gegevens en de conformiteitsverklaring opgegeven waarde voor trillingsemisatie en waarde(n) voor geluidsemisatie, zijn gemeten volgens een standaardtestmethode die door EN 62841 wordt verstrekt. Hiermee kan het ene gereedschap met het andere worden vergeleken. De aangegeven waarde voor trillingsemisatie en de verklaarde waarde(n) voor trillingsemisatie kunnen ook worden gebruikt bij een voorlopige bepaling van blootstelling.

Waarschuwing! De waarde voor trillings- en geluidsemisatie tijdens het werkelijke gebruik van het elektrisch gereedschap kan verschillen van de aangegeven waarde, afhankelijk van de manieren waarop het gereedschap wordt gebruikt. Het trillingsniveau kan toenemen tot boven het aangegeven niveau.

Bij beoordeling van de blootstelling aan trillingen met het doel vast te stellen welke veiligheidsmaatregelen 2002/44/EG vereist zijn ter bescherming van personen die tijdens hun werk regelmatig elektrisch gereedschap gebruiken, moet bij een inschatting van de blootstelling aan trillingen rekening worden gehouden met de werkelijke gebruiksomstandigheden en de manier waarop het gereedschap wordt gebruikt. Daarbij moet ook rekening worden gehouden met alle onderdelen van de bedrijfscyclus, zoals wanneer het gereedschap wordt uitgeschakeld en wanneer het gereedschap stationair loopt en ook de aanlooptijd.

Etiketten op het gereedschap

De volgende pictogrammen worden samen met de datumcode op het gereedschap weergegeven:



Waarschuwing! De gebruiker moet de gebruikshandleiding lezen om het risico op letsel te verminderen.



Gebruik uw zaag niet in natte omstandigheden en stel deze niet bloot aan regen.



Draag altijd hoofd-, gehoor- en gezichtsbescherming.



Draag altijd handschoenen.



Draag altijd antislipschoeisel.



Houd een kettingzaag altijd stevig met beide handen vast.



Bedien de kettingzaag niet met één hand.



Let op voor de terugslag van de kettingzaag en vermijd contact met de tip van het zwaard.



Wees bedacht op vallende voorwerpen.



Houd omstanders op afstand



Waarschuwing! Raak de zaagketting niet aan bij de spaanderafvoer



Draairichting van de zaagketting.



Koppel het netsnoer onmiddellijk los van de netspanning als het netsnoer beschadigd raakt.



Richtlijn 2000/14/EC Gegarandeerd geluidsvermogen.



Richtlijn 2000/14/EC Gegarandeerd geluidsvermogen.



Richtlijn 2000/14/EC Gegarandeerd geluidsvermogen.

Elektrische veiligheid



Dit gereedschap is dubbel geïsoleerd, daarom is een aardingsdraad niet vereist. Controleer altijd dat de stroomvoorziening overeenkomt met de voltage op het typeplaatje.

- Als het netsnoer is beschadigd, moet dit worden vervangen door de fabrikant of een BLACK+DECKER-servicecentrum om gevaar te voorkomen.

Een verlengsnoer gebruiken

- Gebruik altijd een goedgekeurd verlengsnoer dat geschikt is voor het ingangsvermogen van deze machine (zie de technische gegevens).

De verlengkabel moet geschikt zijn voor gebruik buitenshuis en dient als zodanig te zijn gemarkeerd. Er kan een H07RN-F 2 X 1,5 mm² verlengkabel van maximaal 30 m lang worden gebruikt, zonder dat de prestaties van het gereedschap worden beïnvloed. Controleer het verlengsnoer vóór gebruik op tekenen van beschadiging, slijtage of veroudering. Vervang het verlengsnoer als het beschadigd of defect is. Rol het snoer altijd volledig af, als u een haspel gebruikt.

Spanningsdalingen

- Onder bepaalde omstandigheden wat betreft de stroomvoeding kan dit product een kortdurende daling in spanning veroorzaken tijdens het opstarten.
- Andere apparatuur kan hierdoor worden beïnvloed. Elektrische lampen kunnen bijvoorbeeld tijdelijk minder helder zijn.
- Neem indien nodig contact op met uw stroomvoorzieningsbedrijf om na te gaan of de impedantie van de stroomvoorziening lager is dan 0,159 ohm. Onder deze voorwaarde treden storingen meestal niet op.

Wees op uw hoede voor een elektrische schok

- Vermijd aanraking met geaarde oppervlakken (bijv. metalen relingen, lantaarnpalen, enz.). Verhoog de elektrische veiligheid eventueel verder met behulp van een hooggevoelige (30 mA/30 mS) reststroomschakelaar (RCD).



Waarschuwing! Ondanks een dergelijke schakelaar of andere stroomonderbreker moeten de veiligheidsinstructies en -procedures uit deze gebruikersaanwijzing overigens nog steeds worden opgevolgd.

Kenmerken

- Aan/uit-schakelaar
- Knop voor vergrendeling in de uit-stand (niet weergegeven)
- Beschermkap voor de handen vooraan
- Zwaard
- Zaagketting
- Beschermkap zaagketting
- Wiel voor het instellen van de kettingspanning
- Knop voor het klemmen van de stang
- Beschermkap zwaard
- Netsnoer
- Borgpen voor aansluitsnoer
- Oliedop
- Oliepilaanwijzer
- Stootrand

Montage



Waarschuwing! Draag altijd beschermende handschoenen wanneer u aan de kettingzaag werkt.



Waarschuwing! Schakel het gereedschap uit en koppel de voeding los voordat u montage- of onderhoudswerk aan elektrisch gereedschap uitvoert.



Waarschuwing! Verwijder de kabelbinder waarmee de zaagketting aan het zwaard is bevestigd vóór montage.

De zaagketting smeren

U moet dit doen als u een nieuwe ketting (5) voor de eerste keer gebruikt. Neem de nieuwe zaagketting (5) en laat deze tenminste een uur in kettingolie weken voordat u deze gebruikt. Gebruik BLACK+DECKER zaagkettingolie. Het is raadzaam om tijdens de levensduur van uw kettingzaag alleen olie van BLACK+DECKER te gebruiken. De reden hiervoor is dat mengsels van verschillende oliën de kwaliteit van de olie kunnen verslechteren. Dit heeft tot gevolg dat de zaagketting veel korter meegaat en er extra veiligheidsrisico's ontstaan. Gebruik nooit afvalolie, dikke olie of zeer dunne naaimachineolie. Deze kunnen uw kettingzaag beschadigen.

Het zwaard en de ketting installeren. (afb. A - G)

- ◆ Plaats de kettingzaag op een stabiele ondergrond.
- ◆ Draai de vergrendelknop voor het instellen van het zwaard (8) naar links, zoals wordt weergegeven op afbeelding A om de beschermkap van de ketting te (6) verwijderen.
- ◆ Draag veiligheidshandschoenen wanneer u de zaagketting (5) vast neemt en draai ze rond het zwaard (4) en let er daarbij op dat de tanden in de juiste richting wijzen (zie afbeelding G).
- ◆ Verzeker dat de zaagketting juist in de sleuf zit, rond het volledige zwaard.
- ◆ Plaats de zaagketting rond het tandwiel (16) terwijl u de sleuf in het zwaard uitlijnt met de bout (17) in de basis van het gereedschap en de pen voor het aanspannen van de zaagketting (18) zoals wordt weergegeven op afbeelding B.

Opmerking: U moet de positie van de pen voor het aanspannen van de zaagketting (18) mogelijk aanpassen om deze goed in de sleuf van het zwaard te laten passen, door het spanwiel van de zaagketting (7) te draaien.

- ◆ Draai, zodra de ketting op zijn plaats zit, het spanwiel van de zaagketting (7) met de hand om de eenheid voorlopig vast te zetten en op zijn plaats te houden.
- ◆ Vervang de beschermkap van het tandwiel (6) terwijl u de stang stil houdt.

Verzeker dat het lipje (19) op de beschermkap is uitgelijnd met de sleuf (20) in de hoofdbehuizing, zoals wordt weergegeven op afbeelding C. Draai de stang naar rechts tegen de vergrendelknop (8) tot deze vast zit, zet de knop (8) daarna een volledige omwenteling los, zodat de zaagketting goed gespannen kan worden.

- ◆ Volg de instructies voor "De spanning van de zaagketting instellen" in het volgende deel.

De spanning van de zaagketting instellen

Waarschuwing! Scherpe zaagketting. Draag altijd veiligheidshandschoenen bij het hanteren van de zaagketting. De ketting is scherp en kan u ook verwonden als deze niet draait.

Waarschuwing! Scherpe bewegende zaagketting. Verzeker, om het per ongeluk inschakelen van de kettingzaag te voorkomen, dat de stekker van het gereedschap uit het stopcontact is getrokken, voordat een van de volgende handelingen wordt uitgevoerd. Als u dat niet doet, kan dat tot ernstig letsel leiden.

- ◆ Leg de zaag op een stevig oppervlak en controleer de spanning van de zaagketting (5). De spanning is goed wanneer de zaagketting terugschiet wanneer u met de middelvinger en duim een lichte druk uitoefent en de ketting ca. 3 mm van het zwaard (4) trekt, zoals wordt weergegeven op afbeelding D.
- ◆ Zet, om de spanning van de zaagketting in te stellen, de vergrendelknop voor het instellen van het zwaard (8) los, draai het spanwiel van de zaagketting (7) in de richting van de zaag, om de spanning te verhogen zoals wordt weergegeven op afbeelding E. Zet de vergrendelknop voor het vastzetten van het zwaard volledig vast, na het verzekeren dat de zaagketting (5) stevig rond het zwaard (4) zit.
- ◆ De zaagketting mag aan de onderzijde van het zwaard niet 'doorzakken', zoals wordt weergegeven op afbeelding F.
- ◆ Zet, zodra de spanning van de zaagketting juist is, de vergrendelknop voor het afstellen van het zwaard vast.
- ◆ Stel de zaagketting niet te strak af. Dit leidt tot overmatige slijtage en beperkt de levensduur van het zwaard en de zaagketting.
- ◆ Wanneer de ketting nieuw is, moet u de spanning tijdens de eerste 2 gebruiksuren regelmatig controleren (nadat u de stekker uit het stopcontact hebt gehaald), omdat een nieuwe zaagketting wat zal uitrekken.

De zaagketting vervangen

Waarschuwing! Scherpe zaagketting. Draag altijd veiligheidshandschoenen bij het hanteren van de zaagketting. De ketting is scherp en kan u ook verwonden als deze niet draait.

Waarschuwing! Scherpe bewegende zaagketting. Verzekeer, om het per ongeluk inschakelen van de kettingzaag te voorkomen, dat de stekker van het gereedschap uit het stopcontact is getrokken, voordat een van de volgende handelingen wordt uitgevoerd. Als u dat niet doet, kan dat tot ernstig letsel leiden.

- ◆ Draai de knop voor het instellen van het zwaard (8) naar links om de spanning van de zaagketting te verminderen.
- ◆ Verwijder de beschermkap van het tandwiel (6), zoals wordt beschreven in het deel "Het zwaard en de zaagketting plaatsen".
- ◆ Til de versleten zaagketting (5) uit de groef in het zwaard (4).
- ◆ Plaats de nieuwe zaagketting in de sleuf op het zwaard en zorg ervoor dat de zaagtanden in de juiste richting wijzen, laat de pijl op de zaagketting in dezelfde richting wijzen als de afbeelding op de beschermkap van de ketting (6), zoals wordt weergegeven op afbeelding G.
- ◆ Volg de vorige instructies voor het installeren van het zwaard en de zaagketting en het instellen van de spanning van de zaagketting.

Automatisch smeersysteem

Deze kettingzaag is uitgerust met een automatisch smeersysteem waarmee de kettingzaag en het zwaard continu gesmeerd blijven.

De indicator voor het oliepeil (13) toont het oliepeil in de kettingzaag. Trek de stekker van de kettingzaag uit het stopcontact als het oliepeil lager is dan een vierde en vul bij met de juiste olie.

Opmerking: Gebruik olie van hoge kwaliteit voor het zwaard en de zaagketting, zodat de ketting en het zwaard goed worden gesmeerd. Er kan tijdelijk een niet-detergent SAE30 motorolie gebruikt worden. Het gebruik van plantaardige zwaard- en zaagkettingolie wordt aanbevolen bij het vellen van bomen.

Minerale olie wordt niet aanbevolen omdat deze schade aan bomen kan veroorzaken. Gebruik nooit afvalolie of heel dikke olie. Deze kunnen uw kettingzaag beschadigen.

Het oliereservoir vullen

- ◆ Verwijder de oliedop (12) en vul het reservoir met de aanbevolen zwaard- en zaagkettingolie tot het oliepeil de bovenkant van de oliepeilindicator (13) bereikt.
- ◆ Plaats de oliedop terug.
- ◆ Schakel de kettingzaag periodiek uit en controleer de oliepeilindicator, om te verzekeren dat het zwaard en de zaagketting goed worden gesmeerd.

Een verlengkabel aansluiten

Een vergrendeling voor een verlengkabel (11) is in de handgreep ingebouwd. Het voorkomt dat de verlengkabel losgetrokken wordt.

- ◆ Vouw de verlengkabel dubbel en steek deze in de sleuf (21) in het einde van het handgreepdeel, zoals wordt weergegeven op afbeelding H. Haak de lus die werd gevormd door het dubbel vouwen van de kabel over de kabelvergrendeling (11). Trek voorzichtig aan de kabel zodat u zeker weet dat deze stevig in de handgreep vastzit. Steek de stekker van de verlengkabel in het snoer in het netsnoer (12) van de kettingzaag.

De zaag vervoeren

- ◆ Bedek het zwaard (4) altijd met de beschermkap (9) (afbeelding J) tijdens het vervoeren van de zaag.
- ◆ Als de eenheid niet wordt gebruikt, moet de handbescherming vooraan (3) vooruit geduwd worden, waardoor de eenheid geïsoleerd wordt. De gebruiker mag geen bewegingen maken wanneer dit geactiveerd is.

De kettingzaag bedienen

Waarschuwing! Lees alle instructies en zorg ervoor dat u deze begrijpt. Het niet opvolgen van alle onderstaande instructies kan leiden tot een elektrische schok, brand en/of ernstig persoonlijk letsel.

In- en uitschakelen

- ◆ Schakel het gereedschap IN door de vergrendelknop (2) in te drukken en de aan/uit-schakelaar (1) in te knijpen, zoals wordt weergegeven op afb. H. (Zodra het gereedschap draait, kunt u de vergrendelknop loslaten.)
- ◆ Laat de aan/uit-schakelaar los om het gereedschap UIT te schakelen.

Opmerking: U kunt het gereedschap niet opnieuw inschakelen als de handbescherming vooraan (3) op de positie "actief" staat.

Hoe de handbescherming vooraan instellen

- ◆ Zorg dat het gereedschap niet op de netspanning is aangesloten.
- ◆ Trek de handbescherming vooraan (3) opnieuw in de positie "actief".
- ◆ Het gereedschap is nu klaar voor gebruik.

Hoe de handbescherming vooraan werkt

Bij een terugslag komt uw linkerhand in aanraking met de handbescherming vooraan (3) en wordt deze naar voor gedrukt, in de richting van het werkstuk en stopt gereedschap binnen enkele fracties van een seconde.

Bomen vellen (afb. K, L & M)

Onervaren gebruikers kunnen beter niet proberen om bomen te vellen. De gebruiker kan letsel oplopen of schade veroorzaken als de boom in de verkeerde richting valt of versplintert of als er beschadigde/dode takken vallen tijdens het zagen:

De veilige afstand tussen een te vellen boom en omstanders, gebouwen en andere objecten is ten minste 2 1/2 keer de hoogte van de boom. Elke omstander en elk gebouw of voorwerp binnen deze afstand loopt het gevaar om geraakt te worden door de vallende boom.

Voordat u een boom velt:

- ◆ Controleer of er geen wetten of voorschriften zijn die het vellen van de boom verbieden.
- ◆ Houd rekening met alle factoren die de valrichting kunnen beïnvloeden, zoals:
 - ◆ De beoogde valrichting.
 - ◆ De natuurlijke hoek waaronder de boom staat:
 - ◆ Een verdikking of rotte plek.
 - ◆ Omstaande bomen en obstakels zoals bovengrondse kabels en ondergrondse afvoeren.
 - ◆ De richting en kracht van de wind.

Plan van tevoren een veilige uitweg, uit de buurt van vallende bomen of takken.

Zorg dat de vluchtweg vrij is van obstakels die u kunnen hinderen. Bedenk dat nat gras en vers gezaagde boomschors glad zijn.

- ◆ Probeer niet om bomen te vellen met een stam met een diameter groter dan de zaaglengte van de kettingzaag:
- ◆ Maak een inkeping om de valrichting te bepalen.
- ◆ Maak hiervoor aan de voet van de boom, haaks op de vallijn, een horizontale snede tot een diepte van 1/5e tot 1/3e van de diameter van de stam (afb. K).
- ◆ Maak vervolgens van bovenaf onder een hoek van circa 45° een tweede snede die het einde van de eerste snede kruist en zo de inkeping vormt.
- ◆ Maak hierna vanaf de andere zijde 25 mm tot 50 mm boven het midden van deze inkeping een enkele horizontale snede. (afb. L). Zaag niet helemaal tot aan de inkeping, aangezien u hierdoor de controle over de valrichting kunt verliezen.
- ◆ Sla een of meer wiggen in de zaagsnede om deze te openen en de boom om te laten vallen (afb. M).

Bomen snoeien

Controleer of er geen wetten of voorschriften zijn die het snoeien van de boomtakken verbieden. Alleen ervaren gebruikers mogen snoeien, omdat er een verhoogd risico is op het knellen van en terugslag van de zaagketting.

Houd vóór het snoeien rekening met alle voorwaarden die de valrichting kunnen beïnvloeden, waaronder:

- ◆ De lengte en het gewicht van de te zagen tak.
- ◆ Een verdikking of rotte plek.
- ◆ Andere bomen of obstakels zoals bovengrondse kabels.
- ◆ De windrichting en -kracht.
- ◆ Vervlechtingen van de tak met andere takken.

Houd rekening met de toegankelijkheid van de tak en de valrichting. Takken hebben de neiging om naar de boomstam te zwaaien. Behalve de gebruiker loopt elke omstander, elk object of elk gebouw onder de tak gevaar.

- ◆ Maak ter voorkoming van versplintering de opwaartse eerste snede tot een diepte van maximaal een derde van de diameter van de tak.
- ◆ Maak vervolgens een neerwaartse tweede snede tot aan de eerste.

Blokken zagen (afb. N, O & P)

De manier van zagen is afhankelijk van de ondersteuning van het blok. Maak zo mogelijk gebruik van een zaagbok.

Begin een zaagsnede altijd terwijl de zaagketting draait en de gekartelde stootrand (22) het hout raakt (afb N).

Maak met de gekartelde stootrand draaibewegingen tegen het hout.

Bij ondersteuning over de volle lengte:

- ◆ Zaag in neerwaartse richting, maar zorg dat u de grond niet raakt, want hierdoor wordt uw zaag snel bot.

Bij ondersteuning aan beide uiteinden:

- ◆ Zaag eerst tot een derde om versplintering te voorkomen en vervolgens tot aan de eerste snede.

Bij ondersteuning aan één uiteinde:

- ◆ Zaag eerst tot een derde omhoog en vervolgens omlaag om versplintering te voorkomen.

Zagen op een helling:

- ◆ Ga altijd heuvelopwaarts van het werk staan.

Als u een blok op de grond wilt zagen (afb. O)

- ◆ Zet het werkstuk met klampen of wiggen vast. Ga niet op het blok staan of zitten om het blok stabiel te houden. Vraag dit ook niet aan anderen. Zorg ervoor dat de zaagketting de grond niet raakt.

Bij gebruik van een zaagbok (afb. P):

Het wordt sterk aanbevolen om indien mogelijk een zaagbok te gebruiken.

- ◆ Plaats het blok in een stabiele positie. Zaag altijd aan de buitenkant van de armen van de zaagbok. Zet het werkstuk met klemmen of riemen vast.

Takken afzagen (afb. Q)

Het verwijderen van takken van een omgevalen boom.

Wanneer u takken afzaagt, laat u grotere takken onderaan zitten zodat de boom van de grond wordt gehouden. Verwijder de kleine takken in één zaagbeweging.

Takken die onder spanning staan, moeten van onderaf naar boven worden gezaagd om te voorkomen dat de kettingzaag vast komt te zitten. Snoei takken vanaf de overkant en houdt de stam tussen u en de zaag. Maak nooit zaagsneden met de zaag tussen uw benen en klem de af te zagen tak niet tussen uw benen.

Problemen oplossen

Probleem	Mogelijke oorzaak	Mogelijke oplossing
Apparaat start niet	Vergrendelknop niet ingedrukt.	Druk de vergrendelknop in.
	Handbescherming vooraan in de remstand	Reset de handbescherming vooraan
	Zekering is gesprongen	Vervang de zekering
	De RCD (rest-stroomschakelaar) is uitgeschakeld	Controleer de RCD
	Netsnoer niet aangesloten	Controleer de netspanningstoevoer
De zaagketting stopt niet binnen de 2 seconden na uitschakelen van het gereedschap	De zaagketting is te weinig gespannen	Controleer de spanning van de zaagketting
Het zwaard/de ketting lijken heet/vormen rook	Het oliereservoir is leeg	Controleer het oliepeil
	Oliegaatje in het zwaard is geblokkeerd	Reinig de oliegaatjes en maak de groef rond de rand van het zwaard schoon.
	De zaagketting is te strak gespannen	Controleer de spanning van de zaagketting
	De neus van het aandrijfkettingwiel van het zwaard moet worden gesmeerd	Smeer de neus van het aandrijfkettingwiel van het zwaard
De kettingzaag zaagt niet goed	De zaagketting is achterstevoren geplaatst	Controleer/wijzig de draairichting van de ketting
	De zaagketting is bot	Slijp of vervang de zaagketting
De kettingzaag verbruikt geen olie	Olie in het reservoir is verontreinigd	Tap de olie af en vul het reservoir met schone olie
	Het oliegaatje in de dop is geblokkeerd	Maak het gaatje schoon
	Vuil in het zwaard van de zaagketting	Verwijder het vuil en reinig het zwaard van de zaagketting
	Het olieafvoergaatje is verstopt	Verwijder het vuil

Onderhoud

Wanneer u de zaag regelmatig onderhoudt, is een lange levensduur van het gereedschap gegarandeerd. Controleer regelmatig de volgende zaken.

Waarschuwing! Doe altijd het volgende voordat u onderhouds- of reinigingswerkzaamheden aan elektrisch gereedschap uitvoert:

- ◆ Zet het gereedschap uit en haal de stekker uit het stopcontact.

Oliepeil

Het peil in het reservoir mag niet onder een kwart komen.

Zaagketting en zwaard (fig. F)

- ◆ Verwijder telkens na enkele uren gebruik de zaagketting (5) en het zwaard (4), en reinig deze grondig. Doe dit ook als u het gereedschap gaat opbergen.
- ◆ Zorg dat de beschermkap schoon is en dat er geen zaagafval op zit.

Waarschuwing! Zet de bout en moer niet te vast.

- ◆ Smeer het aandrijfkettingwiel via het tandwielsmeergat, dit verzekert een gelijkmatige slijtage rondom de zwaardrails.

Zaagketting slijpen

Voor optimale prestaties van het gereedschap moet u de tanden van de zaagketting scherp houden.

Versleten ketting vervangen

Reservekettingen zijn verkrijgbaar in de detailhandel of bij BLACK+DECKER servicecentra. Gebruik alleen reserveonderdelen van Black & Decker.

De zaagketting vervangen:

BECS1835 35 cm ketting A6235CS

BECS2040 40 cm ketting A6240CS

BECS2245 45 cm ketting A6245CS

Scherpte van zaagketting

De zaagtanden worden direct bot als deze tijdens het zagen de grond of een spijker raken.

Spanning van zaagketting

Controleer regelmatig de kettingspanning.

Reparatie van de kettingzaag.

Uw kettingzaag voldoet aan de geldende veiligheidsnormen.

Reparaties mogen uitsluitend worden uitgevoerd door bevoegde vakmensen en met behulp van originele reserveonderdelen. Niet-naleving van deze regel kan aanzienlijk gevaar voor de gebruiker opleveren. Bewaar deze gebruiksaanwijzing op een veilige plaats.

Vervanging van de stekker (alleen V.K. & Ierland)

Als er een nieuwe netstekker moet worden gemonteerd:

- ◆ Verwerk de oude stekker veilig bij het afval.
- ◆ Verbind de bruine draad met de spannings-/fasepool in de nieuwe stekker.

- ◆ Verbind de blauwe draad aan de nulaansluiting van de stekker.

Waarschuwing! Er moet geen verbinding tot stand worden gebracht met de aardeaansluiting. Volg de montage-instructies die bij stekkers van goede kwaliteit worden geleverd. Aanbevolen zekering: 10 A.

Het milieu beschermen



Gescheiden afvalinzameling. Producten en accu's die zijn voorzien van dit symbool mogen niet bij het normale huishoudafval worden weggegooid

Producten en accu's bevatten materialen die kunnen worden gerecupereerd of gerecycled, wat de vraag naar grondstoffen vermindert.

Recycle elektrische producten en accu's volgens de plaatselijke voorschriften. Nadere informatie is beschikbaar op www.2helpU.com

Technische gegevens

		BECS1835 Type 1	BECS2040 Type 1	BECS2245 Type 1
Spanning	V _{ac}	230V	230V	230V
Lengte zwaard	cm	35	40	46
Max. lengte zwaard	mm	419	459	511
Snelheid zaagketting (Onbelast)	m/ sm	14,5	14,5	14,5
Maximale lengte zaagsnede	mm	319	368	407
Olie-inhoud	ml	170	170	170
gewicht (zonder zaagketting, zwaard, olie)	kg	4,1	4,1	4,3

BECS1835 Geluidswaarde gemeten overeenkomstig EN62841:	
LpA (geluidsdrukniveau)	99 dB(A), onzekerheid (K) 3 dB(A)
LwA (geluidsvermogen)	109 dB(A), onzekerheid (K) 1,6 dB(A)

BECS1835 Totale trillingswaarden (som triaxvector) overeenkomstig EN 602841:	
Waarde trillingsemisatie (a _h)	= 3,8 m/s ² , onzekerheid (K) = 1,5 m/s ²

BECS2040 Geluidswaarde gemeten overeenkomstig EN62841:	
LpA (geluidsdrukniveau)	100 dB(A), onzekerheid (K) 3 dB(A)
LwA (geluidsvermogen)	110 dB(A), onzekerheid (K) 1,8 dB(A)

BECS2040 Totale trillingswaarden (som triaxvector) overeenkomstig EN 602841:	
Waarde trillingsemisatie (a _h)	= 5,2 m/s ² , onzekerheid (K) = 1,5 m/s ²

BECS2245 Geluidswaarde gemeten overeenkomstig EN62841:	
LpA (geluidsdrukniveau)	98 dB(A), onzekerheid (K) 3 dB(A)
LwA (geluidsvermogen)	108 dB(A), onzekerheid (K) 1,6 dB(A)

BECS2245 Totale trillingswaarden (som triaxvector) overeenkomstig EN 602841:
Waarde trillingsemisatie (a _h) = 4,1 m/s ² , onzekerheid (K) = 1,5 m/s ²

EG-conformiteitsverklaring
RICHTLIJN VOOR MACHINES



BECS1835, BECS2040, BECS2245 Kettingzaag Black & Decker verklaart dat deze producten zoals omschreven bij "technische gegevens" conform zijn aan: 2006/42/EG,

EN 62841-1:2015+A11:2022, EN 62841-4-1:2020 2000/14/EC, Bijlage V

BECS2040: LWA (gemeten geluidsvermogensniveau) 110 dB(A),

onzekerheid (K) = 1,8 dB(A),

LWA (gegarandeerd geluidsvermogen) 112 dB(A)

BECS1835: Gemeten geluidsvermogensniveau LWA: 109 dB(A). K = 1,6 dB(A).

Het gegarandeerd geluidsvermogen LWA: 111 dB(A).

BECS2245 : Gemeten geluidsvermogensniveau LWA: 108 dB(A). K = 1,6 dB(A).

Het gegarandeerd geluidsvermogen LWA: 110 dB(A)

Deze producten voldoen ook aan Richtlijn 2014/30/EU en 2011/65/EU.

Neem voor meer informatie contact op met Black & Decker op het volgende adres of raadpleeg de achterkant van de handleiding.

De ondergetekende is verantwoordelijk voor de samenstelling van het technische bestand en legt deze verklaring af namens Black & Decker.

Patrick Diepenbach

Patrick Diepenbach
General Manager, Benelux
Black & Decker,
Egide Walschaertsstraat 14-18
2800 Mechelen, België
17/02/2023

Garantie

Black & Decker vertrouwt op de kwaliteit van zijn producten en biedt consumenten een garantie* van 24 maanden vanaf de aankoopdatum. Deze garantie is een aanvulling op uw wettelijke rechten en maakt op geen enkele wijze inbreuk daarop.

De garantie is geldig binnen het grondgebied van de Lidstaten van de Europese Unie, binnen de Europese Vrijhandelszone en het Verenigd Koninkrijk.

Voor een garantie-aanspraak moet uw aanspraak in overeenstemming zijn met de Voorwaarden en Condities van Black & Decker en moet u een bewijs van aankoop overleggen aan de verkoper of aan een geautoriseerde reparatiemonteur. Voorwaarden en condities van de 2-jarige garantie van Black & Decker en het adres van de vestiging van het geautoriseerde reparatiecentrum bij u in de buurt, kunt u vinden op internet op www.2helpU.com, of door contact op te nemen met het Black & Decker-kantoor ter plaatse, op het adres dat in deze handleiding wordt vermeld. Bezoek onze website www.blackanddecker.nl, waar u uw nieuwe Black & Decker-product kunt registreren en informatie kunt verkrijgen over nieuwe producten en speciale aanbiedingen.

Uso previsto

La podadora de cadena BECS1835, BECS2040, BECS2245 de BLACK+DECKER™ ha sido diseñada para talar árboles y cortar troncos. Esta herramienta ha sido concebida solo para uso doméstico.

Instrucciones de seguridad

Advertencias de seguridad para herramientas eléctricas en general



¡Advertencia! Lea todas las advertencias de seguridad, instrucciones, ilustraciones y especificaciones suministradas con la herramienta eléctrica. El incumplimiento de las instrucciones que se indican a continuación puede causar descargas eléctricas, incendios y/o lesiones graves.

Guarde todas las advertencias e instrucciones para futuras consultas. El término "herramienta eléctrica" empleado en las advertencias a continuación hace referencia a la herramienta eléctrica con alimentación de red (con cable) o alimentada por batería (sin cable).

1. Seguridad del área de trabajo

- a. **Mantenga limpia y bien iluminada el área de trabajo.** Las áreas en desorden u oscuras pueden provocar accidentes.
- b. **No utilice herramientas eléctricas en entornos con peligro de explosión, como aquellos en los que haya líquidos, gases o polvos inflamables.** Las herramientas eléctricas originan chispas que pueden inflamar el polvo o los gases.
- c. **Mantenga alejados a los niños y otras personas del área de trabajo al emplear la herramienta eléctrica.** Las distracciones pueden causar la pérdida del control de la herramienta.

2. Seguridad eléctrica

- a. **El enchufe de la herramienta eléctrica debe corresponder a la toma de corriente. No modifique nunca el enchufe de ninguna forma. No utilice ningún enchufe adaptador con las herramientas eléctricas conectadas a tierra (puestas a masa).** Los enchufes no modificados y las tomas de corriente compatibles reducen el riesgo de descarga eléctrica.
- b. **Evite que su cuerpo toque partes conectadas o puestas a tierra tales como tuberías, radiadores, cocinas y refrigeradores.** Existe un mayor riesgo de descarga eléctrica si su propio cuerpo está conectado a tierra.
- c. **No exponga las herramientas eléctricas a la lluvia y a la humedad.** Si entra agua en una herramienta eléctrica, aumenta el riesgo de descarga eléctrica.
- d. **Cuide el cable de alimentación. No use nunca el cable para transportar, tirar de la herramienta eléctrica o desenchufarla. Mantenga el cable alejado del calor, aceite, cantos afilados y piezas en movimiento.** Los cables dañados o enredados aumentan el riesgo de descarga eléctrica.
- e. **Al trabajar con la herramienta eléctrica en la intemperie utilice solamente cables de prolongación homologados para su uso en exteriores.** La utilización de un cable adecuado para el uso en exteriores reduce el riesgo de descarga eléctrica.
- f. **Si la utilización de una herramienta eléctrica en un lugar húmedo es inevitable, utilice una fuente protegida con un dispositivo diferencial residual (DDR).** El uso de un DDR reduce el riesgo de descarga eléctrica.

3. Seguridad personal

- a. **Esté atento a lo que hace y emplee la herramienta eléctrica con prudencia. No maneje una herramienta eléctrica cuando esté cansado o bajo los efectos de drogas, medicamentos o alcohol.** Un momento de falta de atención cuando se manejan las herramientas eléctricas puede ocasionar lesiones personales graves.
- b. **Utilice un equipo de protección personal. Utilice siempre protección ocular.** El uso de equipo de protección como mascarillas antipolvo, calzado antideslizante, casco o protección auditiva en las condiciones apropiadas reduce la posibilidad de lesiones personales.
- c. **Impida que la herramienta se ponga en marcha involuntariamente. Asegúrese de que el interruptor se encuentre en la posición de apagado antes de conectar la herramienta a la fuente de alimentación o a la batería, o de coger o transportar la herramienta.**

Transportar herramientas eléctricas con el dedo puesto en el interruptor o herramientas eléctricas activadoras que tengan el interruptor encendido puede provocar accidentes.

- d. **Retire las herramientas de ajuste o llaves fijas antes de encender la herramienta eléctrica.** Dejar una llave inglesa u otra llave puesta en una pieza en movimiento de la herramienta eléctrica puede ocasionar lesiones personales.
- e. **No se estire demasiado. Mantenga un equilibrio adecuado y la estabilidad constantemente.** Esto permite un mejor control de la herramienta eléctrica en situaciones inesperadas.
- f. **Lleve puesta una vestimenta de trabajo adecuada. No se ponga ropa suelta o joyas. Mantenga el cabello, la ropa y los guantes alejados de las piezas en movimiento.** La ropa suelta, las joyas y el pelo largo pueden quedar atrapados en las piezas en movimiento.
- g. **Siempre que sea posible utilizar unos equipos de aspiración o captación de polvo, asegúrese de que estén montados y de se utilicen correctamente.** El uso de equipo de recogida de polvo puede reducir los riesgos relacionados con el polvo.
- h. **Evite que la familiaridad adquirida con el uso frecuente de las herramientas le haga confiarse demasiado e ignorar las normas de seguridad de las herramientas.** Un descuido puede causar lesiones graves en una fracción de segundo.

4. Uso y cuidado de herramientas eléctricas

- a. **No sobrecargue la herramienta eléctrica. Use la herramienta eléctrica correcta para su trabajo.** La herramienta eléctrica correcta funcionará mejor y con mayor seguridad si se utiliza de acuerdo con sus características técnicas.
- b. **No utilice la herramienta eléctrica si no se puede encender y apagar con el interruptor.** Toda herramienta eléctrica que no pueda controlarse con el interruptor es peligrosa y debe ser reparada.
- c. **Desconecte el enchufe de la herramienta eléctrica de la fuente de alimentación y/o la batería antes de realizar cualquier ajuste, cambiar accesorios o guardar la herramienta.** Dichas medidas de seguridad preventivas reducen el riesgo de poner en marcha accidentalmente la herramienta eléctrica.
- d. **Guarde las herramientas eléctricas fuera del alcance de los niños y no permita que la utilicen las personas no familiarizadas con su uso o con estas instrucciones.**

Las herramientas eléctricas son peligrosas en manos de personas no capacitadas.

- e. **Realice el mantenimiento de sus herramientas eléctricas.**

Compruebe que las piezas móviles no estén desalineadas ni atascadas, que no haya piezas rotas y cualquier otra condición que pudiera afectar al funcionamiento de la herramienta eléctrica. Si la herramienta eléctrica está dañada, llévela para que sea reparada antes de utilizarla. Muchos accidentes se ocasionan por el mal mantenimiento de las herramientas eléctricas.

- f. **Mantenga las herramientas de corte limpias y afiladas.** Hay menos probabilidad de que las herramientas de corte con bordes afilados se bloqueen, y son más fáciles de controlar.
- g. **Utilice la herramienta eléctrica, los accesorios, los útiles de la herramienta, etc. de acuerdo con estas instrucciones, y tenga en cuenta las condiciones de trabajo y la tarea que va a realizar.** El uso de la herramienta eléctrica para operaciones que no sean las previstas puede ocasionar una situación peligrosa.
- h. **Mantenga las empuñaduras y superficies de agarre secas, limpias y libres de aceite y grasa.** Las empuñaduras resbaladizas y las superficies engrasadas impiden aferrar y controlar la herramienta en situaciones imprevistas.

5. Reparaciones

- a. **Haga reparar esta herramienta eléctrica por personal técnico autorizado que emplee exclusivamente piezas de repuesto originales.** Así se asegurará que se mantenga la seguridad de la herramienta eléctrica.

Advertencias de seguridad generales para podadoras de cadena



¡Advertencia! Advertencias de seguridad adicionales para las podadoras de cadena

- ◆ **Mantenga su cuerpo y su ropa alejados de la cadena mientras la podadora de cadena esté funcionando. Antes de encender la podadora de cadena, compruebe que la cadena de la podadora no esté en contacto con ningún objeto.** No estar atento durante la utilización de la podadora de cadena puede hacer que la ropa o partes del cuerpo se enreden con ella.
- ◆ **Sujete siempre la podadora de cadena con la mano derecha en la empuñadura trasera y la mano izquierda en la delantera.** Nunca sujete la podadora de cadena con las manos en posición invertida pues esto aumenta el riesgo de que se produzcan lesiones personales.
- ◆ **Sujete la podadora de cadena únicamente por la superficie de agarre aislada ya que la cadena de la podadora puede entrar en contacto con cables ocultos.** Si las cadenas de la podadora entran en contacto con un cable bajo tensión, las piezas metálicas expuestas de la herramienta eléctrica podrían cargarse y producir una descarga eléctrica al usuario.

- ◆ **Use protección para los ojos. Se recomienda el uso de un equipo de protección adicional para cabeza, manos, piernas y pies.** El uso de ropa de protección adecuada reduce los daños personales causados por residuos volantes o por el contacto accidental con la cadena de la podadora.
 - ◆ **No utilice la podadora de cadena mientras se encuentre sobre un árbol, una escalera u otra superficie inestable.** Si usa la podadora de cadena de este modo pueden producirse lesiones personales graves.
 - ◆ **Mantenga siempre un apoyo firme en el suelo y utilice la podadora de cadena solo cuando se encuentre sobre una superficie fija, segura y regular.** Las superficies resbaladizas o inestables como, por ejemplo, las escaleras, pueden provocar la pérdida del equilibrio o el control de la podadora de cadena.
 - ◆ **Cuando corte una rama sometida a tensión, tenga cuidado con la fuerza de contragolpe.** Cuando se libera la tensión de las fibras de madera la rama podría golpear al operador y/o arrojar la podadora de cadena fuera de su alcance.
 - ◆ **Tenga sumo cuidado cuando corte matorrales o árboles jóvenes.** El material más ligero puede quedar atrapado en la cadena de la podadora y golpearle con un latigazo o desequilibrarle.
 - ◆ **Transporte la podadora de cadena sosteniéndola por la empuñadura delantera, apagada y alejada del cuerpo.** Cuando transporte o guarde la podadora de cadena, colóquese siempre la tapa de la barra guía. Una manipulación adecuada de la podadora de cadena reduce las posibilidades de que se produzca un contacto accidental con la podadora de cadena en movimiento.
 - ◆ **Siga las instrucciones de lubricación y tensado de la cadena de la podadora y de sustitución de la barra y la cadena de la podadora.** Una cadena incorrectamente tensada o lubricada puede romperse o aumentar el riesgo de que se produzca un contragolpe.
 - ◆ **Corte únicamente madera. No utilice la podadora de cadena para fines diferentes a los previstos.** Por ejemplo, no utilice la podadora de cadena para cortar metales, plástico, mampostería o materiales de construcción o que no sean de madera. El uso de la podadora de cadena para trabajos diferentes a aquellos para los que han sido concebida puede resultar peligroso.
 - ◆ **No intente talar un árbol hasta que conozca los riesgos y cómo evitarlos.** El operador o las personas que se encuentren en el lugar pueden sufrir lesiones graves durante la tala de un árbol.
 - ◆ **Siga todas las instrucciones cuando retire el material atascado, guarde la podadora de cadena o efectúe el mantenimiento.** Asegúrese de que la herramienta está desconectada del suministro de red.
- La activación inesperada de la podadora de cadena mientras se quita el material atascado o se realiza el mantenimiento puede provocar lesiones corporales graves.
- ◆ Utilice prendas ajustadas y de protección incluido un casco de seguridad con visera o gafas de seguridad, protectores para los oídos, calzado de seguridad antideslizante, pantalones de peto protectores y guantes de piel resistentes.
 - ◆ Colóquese siempre en una posición alejada de las ramas que caen.
 - ◆ La distancia segura entre una rama que se va a talar y las personas, edificios y otros objetos es como mínimo dos veces y media la longitud de la rama. Cualquier persona, edificio u objeto que se encuentre a una distancia menor corre el riesgo de resultar golpeado por la rama al caer.
 - ◆ Tenga preparado un plan de escape de la caída de ramas. Compruebe que no haya obstáculos en la ruta de salida que puedan impedir o dificultar sus movimientos. Recuerde que la hierba mojada y las cortezas recién cortadas son resbaladizas.
 - ◆ Asegúrese de que haya otra persona cerca (pero a una distancia segura) en caso de accidente.
 - ◆ No utilice la herramienta mientras se encuentre subido en un árbol, en una escalera u otra superficie inestable.
 - ◆ Mantenga un equilibrio adecuado y la estabilidad constantemente.
 - ◆ Sujete la herramienta firmemente con las dos manos mientras el motor esté en marcha.
 - ◆ No permita que la cadena móvil de la podadora entre en contacto con ningún objeto en la punta de la barra guía.
 - ◆ Empiece a cortar únicamente cuando la cadena de la podadora gire a plena velocidad.
 - ◆ No intente introducir la podadora de cadena en un corte anterior. Realice siempre un nuevo corte.
 - ◆ Esté atento a las ramas movedizas y a otras fuerzas que pudiesen cerrar un corte y apretar o caer sobre la cadena.
 - ◆ No intente cortar una rama cuyo diámetro exceda la longitud de corte de la herramienta.
 - ◆ Cuando almacene o transporte la herramienta, coloque siempre el conjunto de la tapa de la cadena de la podadora sobre la cadena de la podadora.
 - ◆ Mantenga la cadena de la podadora de cadena afilada y suficientemente tensa. Compruebe la tensión de la cadena periódicamente.
 - ◆ Apague la herramienta, desconéctela de la fuente de alimentación y deje que la cadena de la podadora se detenga antes de realizar cualquier ajuste, reparación o mantenimiento.
 - ◆ Utilice únicamente piezas de repuesto y accesorios originales.
 - ◆ Mantenga las asas secas, limpias y libres de aceite y grasa.

Las asas con grasa o aceite son resbaladizas y pueden provocar la pérdida de control.

- ◆ El amortiguador de púas puede afilarse durante la vida útil del producto. Manipúlelo con cuidado.
- ◆ Cuando manipule el producto, es posible que se caliente la barra de la cadena de la podadora; por lo tanto, manipúlela con cuidado.

Causas y prevención de contragolpes al operador

Es posible que se produzca un contragolpe cuando la boca o la punta de la barra guía toca un objeto, o cuando la madera se cierra y pellizca la cadena de la podadora durante el corte. En algunos casos el contacto con la punta puede provocar una reacción invertida y repentina, levantando y bajando la barra guía hacia el usuario.

Es posible que, si la cadena de la podadora pellizca la parte superior de la barra guía, esta retroceda hacia el usuario.

Cualquiera de estas reacciones puede provocar la pérdida del control de la podadora de cadena y causar lesiones personales graves. No confíe únicamente en los dispositivos de seguridad incorporados de la podadora de cadena. Como usuario de la podadora de cadena, debe tomar precauciones para evitar accidentes durante los trabajos de corte.

El retroceso se debe a la utilización inadecuada y/o procedimientos o condiciones de trabajo incorrectos y puede evitarse tomando las precauciones que se detallan a continuación.

- ◆ **Sujete firmemente el mango rodeándolo con los dedos. Con las dos manos en la podadora de cadena, coloque el cuerpo y el brazo de modo que pueda soportar los retrocesos.** Si se toman las debidas precauciones, es posible controlar los contragolpes. No desatienda la podadora de cadena.
- ◆ **No se extralimite y no realice cortes a una altura superior al hombro.** De este modo, evitará el contacto accidental con la punta y ayudará a controlar mejor la podadora de cadena en situaciones inesperadas.
- ◆ **Utilice únicamente las barras guía y cadenas de repuesto especificadas por el fabricante.** La sustitución incorrecta de las barras guía y las cadenas de repuesto puede causar roturas o contragolpes de la cadena de la podadora.
- ◆ **Siga las instrucciones del fabricante acerca del afilado y el mantenimiento de la cadena de la podadora.** La disminución de la altura del calibre de profundidad puede causar el aumento de los contragolpes.

Recomendaciones de seguridad

- ◆ Recomendamos encarecidamente que los usuarios principiantes obtengan de otro usuario con más experiencia instrucciones prácticas del uso de la podadora de cadena y del equipo de protección.

La práctica inicial debe completarse con el serrado de troncos sobre un caballete o un soporte.

- ◆ Recomendamos extraer la batería y comprobar que la cadena de la podadora esté orientada hacia atrás, antes de transportar la podadora de cadena.
- ◆ Realice el mantenimiento de la podadora de cadena cuando no la utilice. Cuando guarde la podadora de cadena para no utilizarla durante un cierto tiempo, desmonte primero la cadena de la podadora y la barra guía que habrán de conservarse sumergidas en aceite. Guarde todas las piezas de la podadora de cadena en un lugar seco y seguro, fuera del alcance de los niños.
- ◆ Coloque siempre el cable de modo que no se enganche en las ramas u objetos similares durante el corte.
- ◆ Le recomendamos purgar el depósito de aceite antes de guardar la herramienta.
- ◆ Asegúrese de tener los pies firmemente asentados y prepare un plan de salida segura para la caída de árboles o ramas.
- ◆ Use cuñas para ayudar a controlar la tala y evitar que la cadena y la barra guía queden bloqueadas en la madera.
- ◆ Cuidados de la cadena de la podadora. Mantenga la cadena de la podadora afilada y bien encajada en la barra guía. Asegúrese de que la cadena de la podadora y la barra guía estén limpias y bien lubricadas. Mantenga las asas secas, limpias y libres de aceite y grasa.

El contragolpe puede ser debido a:

- ◆ Golpear accidentalmente ramas u otros objetos con la punta de la podadora mientras la cadena de la podadora está en movimiento.
- ◆ Golpear metales, cemento u otros materiales duros que estén cerca de la madera o enterrados en la misma.
- ◆ Cadena floja o suelta.
- ◆ Corte por encima de la altura del hombro.
- ◆ Falta de atención al sujetar o guiar la podadora de cadena mientras se está cortando.
- ◆ No se estire demasiado. Mantenga en todo momento un apoyo firme sobre el suelo y el equilibrio y no se estire demasiado.
- ◆ No inserte la podadora en un corte anterior. Podría provocar un retroceso. Realice un nuevo corte cada vez.
- ◆ Recomendamos encarecidamente no utilizar la podadora de cadena mientras se encuentre en un árbol, una escalera o cualquier otra superficie inestable. Si decidiera hacerlo, queda advertido que estas posiciones son extremadamente peligrosas.
- ◆ Cuando corte una rama que esté en tensión, esté atento a la fuerza de retroceso para que no le golpee cuando se libere la tensión.

Evite cortar:

- ◆ Madera preparada.

- ◆ Dentro del suelo.
- ◆ En alambradas, clavos, etc.
- ◆ Matorrales de poco tamaño y árboles jóvenes ya que el material más ligero puede quedar atrapado en la cadena de la podadora y golpearle en forma de látigo o desequilibrarle.
- ◆ No use la podadora de cadena a una altura por encima del hombro.
- ◆ Asegúrese de que haya otra persona cerca (pero a una distancia segura) en caso de accidente.
- ◆ Si por alguna razón tiene que tocar la cadena, asegúrese de que la podadora de cadena esté desconectada de la corriente.
- ◆ El ruido de este producto puede superar 80 dB(A).
Le recomendamos, por tanto, que tome las medidas adecuadas para proteger sus oídos.

Riesgos residuales

El uso de esta herramienta puede producir riesgos residuales adicionales no incluidos en las advertencias de seguridad adjuntas. Estos riesgos se pueden generar por un uso incorrecto, demasiado prolongado, etc.

El cumplimiento de las normas de seguridad correspondientes y el uso de dispositivos de seguridad no evitan ciertos riesgos residuales. Dichos riesgos incluyen:

- ◆ Lesiones producidas por el contacto con piezas móviles o giratorias.
- ◆ Lesiones producidas al cambiar cualquier pieza, hoja o accesorio.
- ◆ Lesiones producidas al usar una herramienta por un tiempo demasiado prolongado. Si utiliza una herramienta durante períodos de tiempo demasiado prolongados, asegúrese de realizar pausas con frecuencia.
- ◆ Deterioro auditivo.
- ◆ Riesgos para la salud producidos al respirar el polvo que se genera al usar la herramienta (por ejemplo: en los trabajos con madera, especialmente de roble, haya y tableros de densidad mediana).

Vibración

Los valores de emisión de vibraciones y de ruidos declarados y expuestos en el apartado de datos técnicos y en la declaración de conformidad han sido calculados según un método de prueba estándar indicado en la norma EN 62841 y pueden utilizarse para comparar herramientas entre sí. El valor de emisión de vibraciones y los valores de emisión de ruidos declarados también pueden utilizarse para una evaluación preliminar de la exposición.

¡Advertencia! El valor de emisión de vibraciones y ruido durante el funcionamiento real de la herramienta eléctrica puede diferir del valor declarado en función de cómo se utilice la herramienta.

El nivel de las vibraciones puede aumentar por encima del nivel declarado.

Al evaluar la exposición a las vibraciones con el fin de determinar las medidas de seguridad que exige la directiva 2002/44/CE para proteger a las personas que utilizan periódicamente herramientas eléctricas en el entorno laboral, deberá tenerse en cuenta una estimación de la exposición a las vibraciones, las condiciones de uso reales y el modo de empleo de la herramienta, así como los pasos del ciclo operativo como, por ejemplo, el número de veces que la herramienta se apaga, el tiempo que está parada y el tiempo de activación.

Etiquetas en la herramienta

En la herramienta aparecen los pictogramas siguientes, así como el código de fecha:



¡Advertencia! Para reducir el riesgo de lesiones, el usuario debe leer el manual de instrucciones.



Evite que la podadora quede expuesta a la lluvia y que penetren líquidos en su interior.



Utilice siempre protección para la cabeza, los oídos y los ojos.



Use siempre guantes.



Utilice siempre calzado de seguridad antideslizante.



Sostenga siempre bien la podadora de cadena con ambas manos.



No utilice podadora de cadena con una sola mano.



Preste atención al contragolpe de la podadora de cadena y evite el contacto con la punta de la barra de la cadena de la podadora.



Tenga cuidado con los objetos que caen. Mantenga alejadas a las personas terceras.



¡Advertencia! No toque la cadena de la podadora en el punto de salida de las astillas.



Sentido de rotación de la cadena de la podadora.



Desconecte inmediatamente el cable de la toma de corriente si este presenta daños o está cortado.



Potencia sonora garantizada por la Directiva 2000/14/CE.



Potencia sonora garantizada por la Directiva 2000/14/CE.



Potencia sonora garantizada por la Directiva 2000/14/CE.

Seguridad eléctrica



Esta herramienta lleva un doble aislamiento; por lo tanto, no requiere conexión a tierra. Compruebe siempre que el voltaje suministrado corresponda al indicado en la placa de características.

- Si se dañara el cable de alimentación, deberá ser sustituido por el fabricante o por un centro de asistencia técnica autorizado de BLACK+DECKER para evitar cualquier situación de riesgo.

Utilización de un cable de prolongación

- Utilice siempre un cable de prolongación adecuado para la entrada de corriente de esta herramienta (consulte la ficha técnica). El cable de prolongación debe ser adecuado para su uso en exteriores y presentar las indicaciones oportunas. Se puede utilizar un cable de prolongación HO7RN-F 2 X de 1.5 mm² y de hasta 30 m sin pérdida de rendimiento del producto. Antes de utilizar el cable de prolongación, compruebe que no esté dañado, gastado o deteriorado. Si está dañado o defectuoso, sustitúyalo. Si utiliza un carrete de cable, desenrolle siempre el cable completamente.

Caídas de tensión

- En determinadas condiciones de suministro de alimentación, es posible que este producto provoque caídas de tensión de corta duración durante el arranque.
- Es posible que otros dispositivos se vean afectados. Por ejemplo, es posible que la intensidad de las luces eléctricas se vea reducida temporalmente.
- Si fuera necesario, póngase en contacto con su suministrador de energía para determinar si la impedancia de la toma de corriente es inferior a 0,159 ohmios. En esta situación, es poco probable que se produzcan perturbaciones.

Protéjase frente a las electrocuciones

- Evite el contacto del cuerpo con superficies conectadas a masa o tierra (por ejemplo verjas metálicas o farolas, etc.). Se puede incrementar la seguridad eléctrica usando un dispositivo diferencial residual (DDR) de alta sensibilidad (30 mA/30 mS).



¡Advertencia! El uso de un DDR u otro cortacircuitos no dispensa al usuario de la podadora de cadena de cumplir con las instrucciones y prácticas de seguridad indicadas en este manual de usuario.

Características

- Interruptor de encendido/apagado
- Botón de bloqueo (no se muestra)
- Protector delantero de manos
- Barra guía
- Cadena de la podadora
- Conjunto de la tapa de la cadena de la podadora
- Rueda de ajuste de tensión de la cadena de la podadora
- Perilla de bloqueo de ajuste de la barra
- Tapa de la barra guía
- Cable de alimentación
- Sujetacable del cable de alimentación
- Tapón del depósito de aceite
- Indicador del nivel de aceite
- Paragolpes de púas

Montaje



¡Advertencia! Utilice siempre guantes de protección cuando manipule la podadora de cadena.



¡Advertencia! Antes de realizar el montaje o el mantenimiento de las herramientas eléctricas, apáguelas y desconéctelas de la toma de corriente.



¡Advertencia! Antes de realizar el montaje, retire el sujetacables que conecta la cadena de la podadora a la barra de la cadena.

Lubricación de la cadena de la podadora

Deberá lubricar la cadena de la podadora cada vez que utilice una nueva cadena (5) por primera vez. Tome la cadena nueva (5) y empácela con aceite para cadenas de podadoras durante al menos una hora antes de utilizarla. Utilice aceite BLACK+DECKER para cadenas de podadoras.

Le recomendamos utilizar únicamente aceite BLACK+DECKER durante la vida útil de la podadora de cadena, puesto que las mezclas de aceites diferentes pueden llegar a degradar el aceite, y con ello, acortar drásticamente la duración de la cadena de la podadora y comportar riesgos adicionales.

No utilice nunca aceite usado, aceite pesado o aceite muy ligero de máquinas de coser. Si lo hace, podrían dañar la podadora de cadena.

Colocación de la barra guía y la cadena de la podadora. (Fig. A - G)

- ◆ Coloque la podadora de cadena sobre una superficie estable.
- ◆ Gire el botón de bloqueo de ajuste de la barra (8) en sentido antihorario, como se muestra en la Figura A, para extraer el conjunto de la tapa de la cadena (6).
- ◆ Usando guantes de protección, aferre la cadena de la podadora (5) y envuélvala alrededor de la barra guía (4), comprobando que los dientes estén orientados en la dirección correcta (consulte la Figura G).
- ◆ Compruebe que la cadena de la podadora esté colocada correctamente en la ranura alrededor de toda la barra guía.
- ◆ Coloque la cadena de la podadora alrededor del piñón (16) mientras alinea la ranura en la barra de guía con el perno (17) en la base de la herramienta y el pasador tensor de la cadena de la podadora (18), como se muestra en la figura B.

Nota: Puede que deba ajustar la posición del pasador tensor de la cadena de la podadora (18), para que se acople correctamente en la ranura en la barra de guía, girando la rueda tensora de la cadena de la podadora (7).

- ◆ Una vez que esté en su lugar, gire la rueda tensora de la cadena de la podadora (7) a mano para apretar previamente el conjunto y mantenerlo en su lugar.
- ◆ Mientras mantiene la barra inmóvil, sustituya la tapa del piñón (6). Compruebe que la lengüeta (19) de la tapa esté alineada con la ranura (20) de la carcasa principal, como se muestra en la figura C. Gire la perilla de bloqueo de ajuste de la barra (8) en sentido horario hasta que quede ajustada, después afloje la perilla (8) una vuelta completa para poder tensar correctamente la cadena de la podadora.
- ◆ Siga las instrucciones de "Ajuste de tensión de la cadena de la podadora" en la siguiente sección.

Ajuste de tensión de la cadena de la podadora

¡Advertencia! Cadena de la podadora afilada. Utilice siempre guantes de protección cuando manipule la cadena de la podadora. Dicha pieza está afilada y puede provocar cortes cuando la herramienta no está en funcionamiento.

¡Advertencia! Cadena de la podadora móvil afilada.

Para evitar el accionamiento accidental, compruebe que la herramienta esté desenchufada antes de efectuar las siguientes operaciones. No hacerlo podría provocar graves lesiones personales.

- ◆ Con la podadora sobre una superficie firme, compruebe la tensión de la cadena de la podadora (5). La tensión es correcta cuando la cadena de la podadora vuelve a su posición inicial después de separarla 3 mm de la barra guía (4) con una ligera fuerza de los dedos medio y el pulgar, como se muestra en la figura D.
- ◆ Para ajustar la tensión de la cadena de la podadora, afloje el botón de bloqueo de ajuste de la barra (8), y gire la rueda tensora de la cadena de la podadora (7) hacia la parte superior de la podadora para aumentar la tensión, como se muestra en la figura E. Apriete el botón de bloqueo de ajuste de la barra hasta que quede ajustado, pero compruebe antes que la cadena de la podadora (5) esté ajustada alrededor de la barra de guía (4).
- ◆ No debe quedar una "comba" entre la barra guía y la parte inferior de la cadena de la podadora, como se muestra en la figura F.
- ◆ Cuando la tensión de la cadena sea correcta, apriete bien el botón de bloqueo de ajuste de la barra.
- ◆ No tense demasiado la cadena de la podadora pues esto causa un desgaste excesivo y una reducción de la vida útil de la barra guía y de la cadena de la podadora.
- ◆ Cuando la cadena de la podadora sea nueva, compruebe la tensión frecuentemente (después de desenchufar la herramienta) durante las 2 primeras horas de uso porque las cadenas nuevas se alargan ligeramente.

Sustitución de la cadena de la podadora

¡Advertencia! Cadena de la podadora afilada. Utilice siempre guantes de protección cuando manipule la cadena de la podadora. Dicha pieza está afilada y puede provocar cortes cuando la herramienta no está en funcionamiento.

¡Advertencia! Cadena de la podadora móvil afilada.

Para evitar el accionamiento accidental, compruebe que la herramienta esté desenchufada antes de efectuar las siguientes operaciones. No hacerlo podría provocar graves lesiones personales.

- ◆ Gire la perilla de bloqueo de ajuste de la barra (8) en sentido antihorario para disminuir la tensión de la cadena de la podadora.
- ◆ Extraiga la tapa del conjunto del piñón (6) como se describe en la sección "Instalar la barra guía y la cadena de la podadora".
- ◆ Saque la cadena usada (5) de la ranura de la barra guía (4).

- ◆ Coloque la cadena nueva en la ranura de la barra guía, comprobando que los dientes de la cadena de la podadora estén orientados en la dirección correcta, haciendo coincidir la flecha de la cadena con el gráfico del conjunto de la tapa del piñón (6), como se muestra en la figura G.
- ◆ Siga las instrucciones anteriores de instalación de la barra guía y la cadena de la podadora y de ajuste de la tensión de la cadena de podadora.

- ◆ Cuando no utilice la unidad, debe empujar hacia adelante el protector delantero de manos (3), para aislar la unidad. El usuario no debe desplazarse hacia ningún lugar cuando está activado.

Funcionamiento de la podadora de cadena

¡Advertencia! Lea y entienda todas las instrucciones. El incumplimiento de todas las instrucciones que se indican a continuación podría provocar una descarga eléctrica, un incendio y/o lesiones graves.

Encendido y apagado

- ◆ Para encender la herramienta, presione el botón de bloqueo (2) y apriete el gatillo (1), como se muestra en la figura H. Cuando la herramienta esté en funcionamiento, puede soltar el botón de bloqueo.
- ◆ Para apagar la herramienta, suelte el gatillo.

Nota: No es posible encender la herramienta si el protector delantero de manos (3) no está en la posición de "montado".

Cómo montar el protector delantero de manos

- ◆ Asegúrese de que la herramienta está desconectada de la alimentación de corriente.
- ◆ Tire el protector delantero de manos (3) hacia la posición "montado".
- ◆ Ahora la herramienta está lista para usarla.

Cómo funciona el protector delantero de manos

En caso de que se produzca un contragolpe, su mano izquierda entrará en contacto con el protector delantero de manos (3), empujándola hacia delante, hacia la pieza de trabajo, y haciendo que la herramienta se detenga en unas pocas fracciones de segundo.

Tala (Fig. K, L y M)

Los usuarios sin experiencia no deben talar árboles. El usuario podría sufrir lesiones o provocar daños materiales como resultado de la pérdida de control de la dirección de caída, el árbol puede astillarse o las ramas dañadas o muertas pueden caer durante la tala:

La distancia de seguridad entre un árbol que se tala y los transeúntes, edificios y otros objetos es al menos 2 veces y media la altura del árbol. Los transeúntes, edificios u objetos que se encuentren dentro de esta distancia corren el riesgo de ser golpeados por el árbol mientras cae.

Antes de talar árboles:

- ◆ Asegúrese de que no existen ordenanzas o normas municipales que prohíban o controlen la tala de árboles.
- ◆ Considere todas las condiciones que puedan influir en la dirección de caída, incluidas las siguientes:
 - ◆ La dirección de caída prevista.
 - ◆ La inclinación natural del árbol:
 - ◆ Cualquier putrefacción o estructura de rama pesada y poco común.

Sistema de lubricación automático

La podadora de cadena dispone de un sistema de lubricación automático que mantiene siempre lubricadas la cadena de la podadora y la barra guía.

El indicador de nivel del aceite (13) muestra el nivel del aceite en la cadena de la podadora. Si el nivel del aceite es inferior a un cuarto del total, extraiga la batería de la podadora de cadena y llene el depósito con el tipo de aceite correcto.

Nota: Use un aceite de alta calidad para la barra y la cadena de la podadora, para obtener una correcta lubricación. Como sustituto temporal, puede usar un aceite de motor de peso SAE30 no detergente. Para podar árboles, se recomienda usar un aceite a base vegetal para la barra y la cadena de la podadora.

Se desaconseja el aceite mineral pues puede dañar los árboles. Nunca use aceite usado o aceite demasiado espeso. Si lo hace, podrían dañar la podadora de cadena.

Llenado del depósito de aceite

- ◆ Quite el tapón del aceite (12) y llene el depósito con el aceite recomendado para la cadena de la podadora hasta que el nivel del aceite llegue a la parte superior del indicador de nivel del aceite (13).
- ◆ Vuelva a poner el tapón del aceite.
- ◆ Periódicamente, pague la podadora de cadena y compruebe el nivel del aceite, para asegurarse de que la barra y la cadena estén debidamente lubricadas.

Colocación del cable prolongador

El mango del interruptor tiene un sujetacable (11) para el cable prolongador. Evita que el cable prolongador se desenchufe.

- ◆ Doble el cable prolongador e insértelo en la ranura (21) del extremo del mango, como se muestra en la figura H. Enganche el bucle formado doblando el cable en el sujetacable (11). Tire suavemente del cable para comprobar que quede bien sujetado en el mango. Enchufe el extremo del receptáculo del cable prolongador en el cable de alimentación (12) de la podadora.

Transporte de la podadora

- ◆ Cubra siempre la barra de guía (4) con la tapa de la barra de guía (9) (figura J) cuando transporte la podadora.

- ◆ Árboles circundantes y obstáculos como líneas de teléfono o tendido eléctrico y desagües subterráneos.
- ◆ La velocidad y dirección del viento.

Tenga preparado un plan de salida segura para la caída de árboles o ramas.

Asegúrese de que la trayectoria de salida esté libre de obstáculos que eviten o impidan el movimiento. Recuerde que la hierba mojada y las cortezas recién cortadas son resbaladizas.

- ◆ No talle árboles cuyo diámetro es mayor que la longitud de corte de la:
- ◆ Realice un corte angular para determinar la dirección de la caída.
- ◆ Realice un corte horizontal de una profundidad de entre 1/5 y 1/3 del diámetro del árbol, perpendicular a la línea de caída en la base del árbol (Fig. K).
- ◆ Realice un segundo corte desde arriba para que coincida con el primero y resulte un corte angular de unos 45°.
- ◆ Realice un único corte horizontal por el otro lado de entre unos 25 mm y 50 mm por encima del centro del corte angular. (Fig. L). No corte a través del corte angular puesto que podría perder el control de la dirección de caída.
- ◆ Introduzca una o más cuñas en el corte de tala para abrirlo y dejar caer el árbol (Fig. M).

Poda de árboles

Asegúrese de que no existen ordenanzas o normas municipales que prohíban o controlen la poda de árboles. Deben realizar la poda solamente los usuarios experimentados puesto que hay riesgo de que se produzca un retroceso o se enganche la cadena de la podadora de cadena.

Antes de podar deben considerarse las condiciones que afectan la dirección de caída incluyendo:

- ◆ La longitud y el peso de la rama que va a cortar.
- ◆ Cualquier putrefacción o estructura de rama pesada y poco común.
- ◆ Árboles circundantes y obstáculos como líneas de teléfono o de tendido eléctrico.
- ◆ La velocidad y dirección del viento:
- ◆ Las ramas que se entrelazan.

El usuario debe considerar el acceso a la rama del árbol y la dirección de caída. Es probable que las ramas oscilen hacia el tronco. Además del usuario, los transeúntes, objetos y propiedades que se encuentren bajo la rama están en peligro.

- ◆ Para evitar el astillamiento, realice el primer corte hacia arriba con una profundidad máxima de un tercio del diámetro de la rama.
- ◆ Realice el segundo corte hacia abajo para que coincida con el primero.

Corte de troncos (Fig. N, O & P)

El modo de corte dependerá de la forma en que se sujete el tronco. Use un caballete de aserrar siempre que sea posible. Empiece siempre el corte con la cadena de la podadora en funcionamiento y el amortiguador de púas (22) en contacto con la madera (Fig. N).

Para completar el corte, use la acción pivotante del amortiguador de púas contra la madera.

Cuando se apoya en toda su longitud:

- ◆ Haga un corte hacia abajo, evitando cortar la tierra para no mellar rápidamente la cadena.

Cuando se apoya en ambos extremos:

- ◆ Primero corte un tercio hacia abajo para evitar que se astille y seguidamente corte siguiendo el primer corte.

Cuando se apoya en un extremo:

- ◆ Primero, corte un tercio hacia arriba para evitar que se astille y seguidamente corte hacia abajo para evitar el mismo problema.

Cuando se está en pendiente:

- ◆ Colóquese siempre cuesta arriba.

Cuando intente cortar un tronco en el suelo (Fig. O)

- ◆ Fije la pieza de trabajo mediante abrazaderas o cuñas. El usuario o transeúntes no deben estabilizar el tronco sentándose sobre él. Asegúrese de que la podadora de cadena no toque el suelo.

Cuando use un caballete de aserrar (Fig. P):

Siempre que sea posible, se recomienda encarecidamente su utilización.

- ◆ Coloque el tronco en posición estable. Corte siempre sobre el exterior de los brazos del caballete de aserrar. Utilice pinzas o correas para asegurar la pieza de trabajo.

Corte de ramas (Fig. Q)

Quitar las ramas de un árbol caído. Cuando corte ramas, deje las ramas inferiores de mayor tamaño para mantener el tronco alejado del suelo. Quite las ramas pequeñas de un corte. Las ramas sometidas a tensión deben cortarse de abajo arriba para evitar el agarrotamiento de la podadora de cadena.

Corte las ramas del lado contrario dejando el tronco del árbol entre usted y la podadora. Nunca realice cortes manteniendo la podadora entre las piernas ni se siente a horcajadas en la rama que vaya a cortar.

Resolución de problemas

Problema	Posible causa	Posible solución
La herramienta no arranca	No se ha pulsado el botón de bloqueo.	Pulse el botón de bloqueo.
	El protector delantero de manos está en la posición de freno	Restablezca el protector delantero de manos
	Fusible fundido	Sustituya el fusible
	RCD activado	Compruebe el RCD
	El cable de red no está conectado	Compruebe el suministro de corriente
La cadena de la podadora no se detiene en 2 segundos al apagar la herramienta	Tensión de la cadena demasiado floja	Compruebe la tensión de la cadena de la podadora
La barra o la cadena de la podadora parece estar caliente/emite humo	El depósito de aceite está vacío	Compruebe el nivel del depósito de aceite
	El orificio de aceite está bloqueado en la barra de la cadena de la podadora	Limpie los orificios de aceite y la ranura alrededor del borde de la barra de la cadena de la podadora.
	Tensión de la cadena demasiado apretada	Compruebe la tensión de la cadena de la podadora
	El piñón de la barra guía necesita engrase	Lubrique la punta del piñón de la barra guía
La podadora de cadena no corta bien	Cadena de la podadora hacia atrás	Compruebe o modifique la dirección de la cadena de la podadora
	La cadena de la podadora está desafilada	Afile o cambie la cadena de la podadora
La podadora de cadena no utiliza aceite	Hay restos en el depósito	Vacíe el depósito y coloque aceite nuevo
	El orificio de aceite del tapón está bloqueado	Elimine los restos del orificio
	Hay restos en la barra de la cadena de la podadora	Elimine los restos y limpie la barra de la cadena de la podadora
	Hay restos en la salida de aceite	Elimine los restos

Mantenimiento

El mantenimiento regular asegura una larga vida efectiva de la herramienta. Le recomendamos realizar las comprobaciones siguientes de forma periódica.

¡Advertencia! Antes de realizar el mantenimiento de las herramientas eléctricas:

- ◆ Apague la herramienta y desconéctela de la toma de corriente.

Nivel de aceite

No se deberá dejar que el nivel del depósito caiga por debajo de un cuarto de su total.

Cadena y barra guía de la podadora (Fig. F)

- ◆ Después de unas horas de uso y antes de guardar la herramienta, quite la barra guía (4) y la cadena de la podadora (5) y límpielas a fondo.
- ◆ Asegúrese de que el protector esté limpio y de que no contenga restos.

¡Advertencia! No apriete demasiado.

- ◆ Lubrique la punta del piñón a través del orificio de lubricación del piñón, esto garantiza una distribución uniforme del desgaste alrededor de los raíles de la barra guía.

Afilado de la cadena de la podadora

Si desea conseguir el máximo rendimiento de la herramienta, es importante que mantenga los dientes de la podadora de cadena afilados.

Cambio de las cadenas desgastadas

Las tiendas minoristas y los talleres de servicio de BLACK+DECKER disponen de cadenas de podadoras de repuesto. Utilice únicamente piezas de repuesto originales. Cadena de la podadora de repuesto: BECS1835 cadena de 35 cm A6235CS BECS2040 cadena de 40 cm A6240CS BECS2245 cadena de 45 cm A6245CS

Afilado de la cadena de la podadora

Los dientes de la cadena de la podadora se desafilan inmediatamente si tocan el suelo o golpean un clavo durante el corte.

Tensión de la cadena de la podadora

Compruebe periódicamente la tensión de la cadena.

Qué hacer si la podadora de cadena necesita reparación.

La podadora de cadena ha sido fabricada de conformidad con los requisitos de seguridad pertinentes. Las reparaciones deben llevarse a cabo por personal cualificado, usando piezas de recambio originales; en caso contrario, podría ocasionarse un considerable peligro al usuario. Le recomendamos guardar este manual en sitio seguro.

Sustitución del enchufe de red (solo para el Reino Unido e Irlanda)

Si debe colocar un nuevo enchufe de red:

- ◆ Deseche en modo seguro el antiguo enchufe.
- ◆ Conecte el cable marrón al terminal conductor del nuevo enchufe.
- ◆ Conecte el cable azul al terminal neutro.

¡Advertencia! No debe realizar ninguna conexión con el terminal de tierra. Siga las instrucciones de montaje incluidas con los enchufes de buena calidad.

Fusible recomendado: 10 A.

Protección del medioambiente



Recogida selectiva. Los productos y las baterías marcadas con este símbolo no deben eliminarse junto con los residuos domésticos normales.

Los productos y las baterías que contienen materiales que se puedan recuperar o reciclar reducen la demanda de materias primas.

Recicle los productos eléctricos y las baterías de conformidad con las normas locales. Puede obtener más información en www.2helpU.com

Datos técnicos

		BECS1835 Tipo 1	BECS2040 Tipo 1	BECS2245 Tipo 1
Tensión	V _{ca}	230 V	230 V	230 V
Longitud de la barra	cm	35	40	46
Longitud máxima de la barra	mm	419	459	511
Velocidad máx. de la cadena (sin carga)	m/ sm	14,5	14,5	14,5
Longitud máx. de corte	mm	319	368	407
Capacidad de aceite	ml	170	170	170
peso (sin cadena, barra guía ni aceite)	kg	4,1	4,1	4,3

BECS1835 Valor de ruido medido de acuerdo con EN62841:

LpA (presión sonora) 99 dB(A), incertidumbre (K) 3 dB(A)
LwA (potencia acústica) 109 dB(A), incertidumbre (K) 1,6 dB(A)

BECS1835 Valores totales de vibración (suma de vectores de tres direcciones) de acuerdo con la norma EN 602841:

Valor de emisión de vibraciones (a_{hv}) = 3,8 m/s², incertidumbre (K) = 1,5 m/s²

BECS2040 Valor de ruido medido de acuerdo con la norma EN62841:

LpA (presión sonora) 100 dB(A), incertidumbre (K) 3 dB(A)
LwA (potencia acústica) 110 dB(A), incertidumbre (K) 1,8 dB(A)

BECS2040 Valores totales de vibración (suma de vectores de tres direcciones) de acuerdo con la norma EN 602841:

Valor de emisión de vibraciones (a_{hv}) = 5,2 m/s², incertidumbre (K) = 1,5 m/s²

BECS2245 Valor de ruido medido de acuerdo con EN62841:

LpA (presión sonora) 98 dB(A), incertidumbre (K) 3 dB(A)
LwA (potencia acústica) 108 dB(A), incertidumbre (K) 1,6 dB(A)

BECS2245 Valores totales de vibración (suma de vectores de tres direcciones) de acuerdo con la norma EN 602841:

Valor de emisión de vibraciones (a_{hv}) = 4,1 m/s², incertidumbre (K) = 1,5 m/s²

Declaración de conformidad CE DIRECTIVA DE MÁQUINAS



Podadora de cadena BECS1835, BECS2040, BECS2245
Black & Decker declara que los productos descritos en "Datos técnicos" cumplen las siguientes disposiciones: 2006/42/CE, EN 62841-1:2015+A11:2022, EN 62841-4-1:2020 2000/14/CE, Anexo V

BECS2040: LWA (nivel de potencia acústica medido) 110 dB(A), incertidumbre (K) = 1,8 dB(A),

LWA (potencia sonora garantizada) 112 dB(A)

BECS1835: Nivel de potencia acústica medido LWA: 109 dB(A). K = 1,6 dB(A).

Nivel de potencia acústica garantizado LWA: 111 dB(A).

BECS2245: Nivel de potencia acústica medido LWA: 108 dB(A). K = 1,6 dB(A).

Nivel de potencia acústica garantizado LWA: 110 dB (A)

Estos productos también son conformes a la Directiva 2014/30/UE y 2011/65/UE.

Si desea más información, póngase en contacto con Black & Decker en la dirección indicada a continuación o consulte la parte posterior de este manual.

El abajo firmante es el responsable de la elaboración de la documentación técnica y expide la presente declaración en nombre y representación de Black & Decker.

Patrick Diepenbach

Patrick Diepenbach
Director General, Benelux

Black & Decker,
Egide Walschaertsstraat 14-18
2800 Mechelen, Bélgica

17/02/2023

Garantía

Black & Decker confía en la calidad de sus productos y ofrece a los consumidores una garantía de 24 meses a partir de la fecha de compra. Esta garantía es adicional a sus derechos legales y no los menoscaba en modo alguno.

La garantía es válida dentro de los territorios de los Estados Miembros de la Unión Europea, el Área de Libre Comercio Europea y el Reino Unido.

Para reclamar la garantía, deberá formular la reclamación de conformidad con las condiciones generales de Black & Decker, presentando el comprobante de compra al vendedor o al agente técnico autorizado. Puede obtener las condiciones de la garantía de 2 años de Black & Decker y la ubicación de su agente técnico autorizado más próximo en el sitio www.2helpU.com o poniéndose en contacto con su oficina local de Black & Decker en la dirección que se indica en este manual.

Visite nuestro sitio web www.blackanddecker.co.uk para registrar su nuevo producto BLACK+DECKER y recibir noticias sobre nuevos productos y ofertas especiales.

Utilização pretendida

A motosserra BECS1835, BECS2040, BECS2245 da BLACK+DECKER™ foi concebida para o abate de árvores e o corte de toros. Esta ferramenta destina-se apenas a utilização doméstica.

Instruções de segurança

Avisos de segurança gerais sobre ferramentas eléctricas



Atenção! Leia todos os avisos de segurança, instruções, ilustrações e especificações fornecidos com esta ferramenta eléctrica. O não cumprimento de todas as instruções indicadas abaixo pode resultar em choque eléctrico, incêndio e/ou ferimentos graves.

Guarde todos os avisos e instruções para futura referência.

O termo "ferramenta eléctrica" utilizado em todos os avisos indicados abaixo refere-se a ferramentas eléctricas com ligação à corrente eléctrica (com fio) ou com bateria (sem fio).

1. Segurança na área de trabalho

- Mantenha a área de trabalho limpa e bem iluminada.** As áreas desorganizadas ou escuras são propensas a acidentes.
- Não trabalhe com ferramentas eléctricas em áreas com risco de explosão, nas quais se encontrem líquidos, gases ou poeiras inflamáveis.** As ferramentas eléctricas criam faíscas que podem inflamar estas poeiras ou vapores.
- Mantenha as crianças e outras pessoas afastadas durante a utilização da ferramenta eléctrica.** As distrações podem causar perda do controlo da ferramenta.

2. Segurança eléctrica

- As fichas da ferramenta eléctrica devem encaixar na tomada. Nunca modifique a ficha de modo algum. Não utilize fichas adaptadoras com ferramentas eléctricas ligadas à terra.** As fichas não modificadas e as tomadas compatíveis reduzem o risco de choque eléctrico.
- Evite que o corpo entre em contacto com superfícies ligadas à terra, como tubos, radiadores, fogões e frigoríficos.** Se o seu corpo estiver "ligado" à terra, o risco de choque eléctrico é maior.
- As ferramentas eléctricas não podem ser expostas a chuva ou a humidade.** A entrada de água numa ferramenta eléctrica aumenta o risco de choque eléctrico.
- Manuseie o cabo com cuidado. Nunca o utilize para transportar, puxar ou desligar a ferramenta eléctrica. Mantenha o cabo afastado de fontes de calor, substâncias oleosas, arestas afiadas ou peças móveis.**

Os cabos danificados ou emaranhados aumentam o risco de choque eléctrico.

- Quando trabalhar com uma ferramenta eléctrica ao ar livre, utilize uma extensão adequada para essa finalidade.** A utilização de um cabo adequado para uso ao ar livre reduz o risco de choque eléctrico.
 - Se for inevitável trabalhar com uma ferramenta eléctrica num local húmido, utilize um dispositivo de corrente residual (DCR).** A utilização de um DCR reduz o risco de choque eléctrico.
- ### 3. Segurança pessoal
- Esteja atento, observe o que está a fazer e seja prudente quando trabalhar com a ferramenta eléctrica. Não utilize uma ferramenta eléctrica quando estiver cansado ou sob o efeito de drogas, álcool ou medicamentos.** Um momento de distração durante a utilização de ferramentas eléctricas pode resultar em ferimentos graves.
 - Utilize equipamento de protecção individual. Use sempre protecção ocular.** Se o equipamento de protecção, por exemplo, uma máscara de poeiras, sapatos de segurança antiderrapantes, um capacete de segurança ou uma protecção auditiva, for utilizado em condições adequadas, reduz o risco de ferimentos.
 - Evite arranques involuntários. Assegure-se de que o gatilho está desligado antes de ligar a ferramenta à corrente eléctrica e/ou as baterias e antes de levantar ou transportar a ferramenta.** Se mantiver o dedo no gatilho quando transportar ferramentas eléctricas ou se ligá-las à fonte de alimentação com o gatilho ligado, isso pode dar origem a acidentes.
 - Retire eventuais chaves de ajuste ou chaves de fendas antes de ligar a ferramenta eléctrica.** Uma chave de fenda ou de ajuste fixada numa peça rotativa da ferramenta eléctrica pode causar ferimentos.
 - Não tente chegar a pontos fora do alcance. Mantenha sempre os pés bem apoiados e um equilíbrio adequado.** Assim, é mais fácil controlar a ferramenta eléctrica em situações inesperadas.
 - Use vestuário adequado. Não use roupa larga ou jóias. Mantenha o cabelo, a roupa e as luvas afastados das peças móveis.** As roupas largas, as jóias ou o cabelo comprido podem ficar presos nestas peças.
 - Se for prevista a montagem de dispositivos de extracção e recolha de poeiras, assegure-se de que estão ligados e que são utilizados de maneira correcta.** A utilização de dispositivos de recolha de pó pode reduzir os riscos inerentes.
 - Não permita que o facto de estar familiarizado com a utilização frequente das ferramentas o torne complacente e ignore os princípios de segurança da ferramenta.**

Uma acção irreflectida pode causar ferimentos numa fracção de segundo.

4. Utilização e manutenção da ferramenta eléctrica

- a. **Não sobrecarregue a ferramenta eléctrica. Utilize a ferramenta eléctrica correcta para o seu trabalho.** A ferramenta eléctrica adequada efectua o trabalho de maneira mais eficiente e segura se for utilizada de acordo com a capacidade para a qual foi concebida.
- b. **Não utilize a ferramenta eléctrica se não conseguir ligar ou desligar o gatilho.** Qualquer ferramenta eléctrica que não possa ser controlada através do gatilho é perigosa e tem de ser reparada.
- c. **Desligue a ficha da tomada e/ou a bateria da ferramenta eléctrica antes de proceder a ajustes, substituir acessórios ou guardar ferramentas eléctricas.** Estas medidas de segurança preventivas reduzem o risco de ligar a ferramenta eléctrica acidentalmente.
- d. **Mantenha as ferramentas eléctricas que não estiverem a ser utilizadas fora do alcance das crianças. Não permita que a ferramenta eléctrica seja utilizada por pessoas não familiarizadas com a mesma ou que não tenham lido estas instruções.** As ferramentas eléctricas são perigosas nas mãos de pessoas que não possuam as qualificações necessárias para manuseá-las.
- e. **Proceda à manutenção das ferramentas eléctricas. Verifique se as partes móveis estão desalinhasadas ou bloqueadas, se existem peças partidas ou qualquer outra situação que possa afectar o funcionamento das ferramentas eléctricas. Se a ferramenta eléctrica estiver danificada, esta só pode ser utilizada depois de ser reparada.** Muitos acidentes têm como principal causa ferramentas eléctricas com uma manutenção insuficiente.
- f. **Mantenha as ferramentas de corte afiadas e limpas.** As ferramentas de corte sujeitas a uma manutenção adequada, com arestas de corte afiadas, bloqueiam com menos frequência e controlam-se com maior facilidade.
- g. **Utilize a ferramenta eléctrica, os acessórios e as peças de ferramenta, etc., de acordo com estas instruções, considerando as condições de trabalho e a tarefa a ser executada.** A utilização da ferramenta eléctrica para fins diferentes dos previstos pode resultar em situações perigosas.
- h. **Mantenha os punhos e as superfícies de fixação secos, limpos e sem qualquer óleo ou gordura.** Se o punho estiver escorregadio e as superfícies de fixação tiverem gordura, isso não permite um manuseamento e controlo seguros da ferramenta em situações inesperadas.

5. Assistência

- a. **A ferramenta eléctrica deve ser reparada por pessoal qualificado e só devem ser colocadas peças sobresselentes idênticas.** Assim, é garantida a segurança da ferramenta eléctrica.

Avisos de segurança gerais relativos a motosserras



Atenção! Avisos de segurança adicionais para motosserras

- ◆ **Mantenha todas as partes do corpo afastadas da corrente da serra quando a motosserra estiver em funcionamento. Antes de ligar a motosserra, certifique-se de que a corrente da serra não está em contacto com nada.** Um momento de falta de atenção durante a utilização de uma motosserra pode fazer com que o seu vestuário ou corpo fique preso na ferramenta.
- ◆ **Segure sempre a motosserra com a mão direita no punho traseiro e a mão esquerda no punho dianteiro.** Segurar a motosserra com uma disposição invertida das mãos aumenta o risco de ferimentos e tal nunca deverá ser efectuado.
- ◆ **Segure a motosserra apenas pelas áreas isoladas, porque a corrente da serra pode entrar em contacto com a cablagem escondida.** As correntes da serra em contacto com um cabo sob tensão podem fazer com que as peças metálicas expostas da motosserra fiquem energizadas e provoquem um choque eléctrico ao operador.
- ◆ **Use uma protecção ocular. É recomendada a utilização de equipamento de protecção adicional para os ouvidos, cabeça, mãos, pernas e pés.** Um equipamento de protecção adequado reduzirá os ferimentos causados por resíduos projectados ou pelo contacto acidental com a corrente da serra.
- ◆ **Não utilize a motosserra quando estiver em cima de uma árvore, numa escada, em cima de um telhado ou em qualquer outra superfície instável.** A utilização de uma corrente de serra pode causar ferimentos graves.
- ◆ **Mantenha-se sempre bem posicionado e utilize a motosserra apenas quando se encontrar numa superfície fixa, segura e nivelada.** As superfícies escorregadias ou instáveis, como, por exemplo, escadas, podem causar perda de equilíbrio ou de controlo da motosserra.
- ◆ **Quando estiver a cortar uma pernada sob tensão, esteja atento à recuperação elástica.** Quando a tensão das fibras de madeira for libertada a pernada sob tensão pode atingir o operador e/ou provocar o descontrolo da motosserra.
- ◆ **Tenha especial cuidado quando cortar galhos e árvores jovens.**

O material fino e delgado pode tocar na corrente da serra e saltar na sua direcção ou fazer com que se desequilibre.

- ◆ **Transporte a motosserra pela pega dianteira com a motosserra desligada e afastada do seu corpo.** Quando transportar ou armazenar a motosserra, coloque sempre a tampa da barra-guia. Um manuseamento adequado da motosserra reduzirá a probabilidade de um contacto accidental com a corrente da serra em movimento.
- ◆ **Siga as instruções relativas à lubrificação, tensão da corrente e substituição da barra e da corrente da serra.** Uma corrente incorrectamente tensionada ou lubrificada pode partir ou aumentar a probabilidade de recuo.
- ◆ **Corte apenas madeira. Não utilize a motosserra para fins diferentes dos previstos. Por exemplo: não utilize a motosserra para cortar metal, plástico, alvenaria ou materiais de construção que não sejam de madeira.** A utilização da motosserra para outros fins que não os previstos pode resultar em situações perigosas.
- ◆ **Só deve cortar uma árvore depois de compreender os riscos e como evitá-los.** Durante o corte de uma árvore, o utilizador ou as pessoas que estejam por perto podem sofrer ferimentos graves.
- ◆ **Siga todas as instruções quando retirar material encravado, armazenar ou assistência da motosserra. Verifique se a ferramenta está desligada da corrente eléctrica.** A utilização inesperada da motosserra quando retirar material encravado ou proceder à assistência pode resultar em ferimentos graves.
- ◆ Utilize vestuário de protecção justo, incluindo capacete de segurança com viseira/óculos, protecção auditiva, calçado de segurança anti-derrapante, jardineira de protecção e luvas de couro resistente.
- ◆ Desvie-se sempre da trajectória de queda dos ramos.
- ◆ A distância de segurança entre um ramo a cortar e as pessoas presentes, edifícios e outros objectos deve ser, no mínimo, de 2 1/2 vezes o comprimento do ramo. Todas as pessoas presentes, edifícios ou objectos que se encontrem dentro desta distância correm o risco de serem atingidos pela queda do ramo.
- ◆ Planeie antecipadamente uma saída de segurança para escapar a árvores ou ramos em queda. Certifique-se de que o caminho de saída não tem quaisquer obstáculos que possam impedir ou dificultar o movimento. Lembre-se de que a relva molhada e as cascas de árvore cortadas recentemente podem ser escorregadias.
- ◆ Certifique-se de que, em caso de acidente, existe alguém por perto (mas a uma distância de segurança).
- ◆ Não utilize a ferramenta enquanto estiver em cima de uma árvore, escada ou de qualquer outra superfície instável.
- ◆ Mantenha sempre os pés bem apoiados e um equilíbrio adequado.

- ◆ Pegue na ferramenta com firmeza e com ambas as mãos quando o motor estiver ligado.
- ◆ Não deixe a corrente da serra em movimento entrar em contacto com outros objectos na ponta da barra-guia.
- ◆ Comece o corte apenas quando tiver a corrente da serra a deslocar-se à velocidade máxima.
- ◆ Não tente introduzir a serra num corte anterior. Faça sempre um novo corte.
- ◆ Preste atenção ao movimento dos ramos ou de outras forças que possam fechar um corte e exercer pressão ou cair na corrente da serra.
- ◆ Não tente cortar um ramo quando o diâmetro do ramo exceder o comprimento de corte da ferramenta.
- ◆ Quando armazenar ou transportar a ferramenta, coloque sempre o conjunto da protecção da corrente sobre a corrente da serra.
- ◆ Mantenha a corrente afiada e com a tensão adequada. Verifique regularmente a tensão.
- ◆ Desligue a ferramenta, desligue a fonte de alimentação, aguarde até a corrente da serra parar e depois efectue os trabalhos de regulação, assistência ou manutenção.
- ◆ Utilize apenas peças sobresselentes e acessórios originais.
- ◆ Mantenha os punhos secos, limpos e sem qualquer óleo ou gordura. As peças com gordura ou óleo são escorregadias, podendo provocar a perda de controlo.
- ◆ O amortecedor afiado pode ficar mais afiado durante a vida útil do produto. Utilize-a com muito cuidado.
- ◆ Quando manusear o produto, a barra da corrente da serra pode ficar quente; utilize-a com cuidado.

Causa e prevenção do operador contra recuo

Pode ocorrer recuo se a frente ou a ponta da barra-guia tocar num objecto ou se um pedaço de madeira se fechar e emperrar a corrente da serra no corte.

O contacto com a ponta pode, em alguns casos, causar uma súbita reacção inversa, empurrando a barra-guia para cima e para trás em direcção ao utilizador.

Se a corrente da serra ficar presa ao longo da parte superior da barra-guia pode empurrar a barra-guia rapidamente para trás na direcção do operador.

Qualquer uma destas reacções pode fazer com que perca o controlo da motosserra e causar ferimentos graves. Não dependa exclusivamente dos dispositivos de segurança integrados na sua motosserra. Como utilizador de uma motosserra, deverá efectuar diversas medidas para manter os seus trabalhos de corte isentos de acidentes ou ferimentos. O recuo é o resultado de uma utilização errada da ferramenta e/ou de procedimentos ou condições de utilização incorrectos, podendo ser evitado com medidas de precauções apropriadas, conforme descrito em seguida:

- ◆ **Segure com firmeza o punho, com os polegares e os dedos à volta dos punhos da motosserra.**

Com ambas as mãos na motosserra, posicione o corpo e o braço de modo a permitir resistência às forças de recuo. Se forem tomadas medidas de precaução adequadas, as forças de recuo podem ser controladas pelo operador. Não largue a motosserra.

- ◆ **Mantenha sempre o equilíbrio e não corte a uma altura superior à do seu ombro.** Isto ajuda a impedir um contacto involuntário da ponta e permite um melhor controlo da motosserra em situações inesperadas.
- ◆ **Utilize apenas as barras-guia e correntes de serra sobresselentes especificadas pelo fabricante.**
As barras-guia e correntes de serra sobresselentes incorrectas podem causar quebra da corrente da serra e/ou recuo.
- ◆ **Respeite as instruções de afiação e manutenção do fabricante para a corrente da serra.** Diminuir a altura do indicador de profundidade pode originar um recuo maior.

Recomendações de segurança para a motosserra

- ◆ Recomendamos que os utilizadores principiantes obtenham instruções práticas sobre a utilização da motosserra e equipamento de protecção junto de um utilizador experiente.
A prática inicial deve ser efectuada serrando um toro num cavalete ou andaime.
- ◆ Quando transportar a motosserra, recomendamos que a corrente da serra fique virada para trás.
- ◆ Efectue a manutenção da sua motosserra quando não estiver em utilização. Não armazene a motosserra durante qualquer período de tempo sem antes remover a corrente e a barra-guia que devem ficar mergulhadas em óleo. Armazene todas as peças da motosserra num local seco, seguro e fora do alcance das crianças.
- ◆ Coloque sempre o fio de modo a não ficar preso em ramos ou outros obstáculos semelhantes durante o corte
- ◆ Recomendamos que drene o depósito do óleo antes de armazenar.
- ◆ Tenha cuidado com os passos que dá e estabeleça uma saída de segurança de uma queda de árvore ou ramos.
- ◆ Utilize calços para ajudar a controlar o derrubamento e evitar o bloqueio da barra-guia e da corrente na madeira.
- ◆ Cuidados a ter com a corrente. Mantenha a corrente afiada e bem colocada na barra-guia. Certifique-se de que a corrente da serra e a barra-guia estão limpas e bem oleadas. Mantenha as pegas secas, limpas e sem qualquer óleo ou gordura.

O recuo pode ser causado por:

- ◆ Embate em troncos ou outros objectos acidentalmente com a ponta da serra enquanto a corrente da serra estiver em movimento.
- ◆ Embate em metal, cimento ou outro material duro perto da madeira ou furo na madeira.

- ◆ Uma corrente da serra embotada ou solta.
- ◆ Cortar a uma altura superior à do seu ombro.
- ◆ Falta de atenção ao segurar ou orientar a motosserra durante o corte.
- ◆ Não tente chegar a pontos fora do alcance. Mantenha sempre o equilíbrio.
- ◆ Não tente inserir a serra num corte anterior, uma vez que pode causar recuo. Faça sempre um corte novo.
- ◆ Recomendamos que não tente trabalhar com a motosserra quando estiver em cima de uma árvore, escada ou superfície instável.
Caso contrário, tenha em atenção que estas posições são extremamente perigosas.
- ◆ Quando cortar um tronco que esteja sob tensão, tenha cuidado porque pode fazer ricochete quando a tensão aliviar.

Evite cortar:

- ◆ Madeira preparada.
- ◆ O chão.
- ◆ Aroles metálicos, pregos, etc.
- ◆ Galhos de pequenas dimensões e casca de árvores, uma vez que o material fino e delgado pode tocar na corrente da serra e saltar na sua direcção ou fazer com que se desequilibre.
- ◆ Não utilize a ferramenta a uma altura superior à do seu ombro.
- ◆ Certifique-se de que, em caso de acidente, existe alguém por perto (mas a uma distância de segurança).
- ◆ Se, por qualquer motivo, tiver de tocar na corrente da serra, certifique-se de que a motosserra está desligada da tomada.
- ◆ O ruído produzido por este produto pode ultrapassar os 80 dB(A). Recomendamos que tome as devidas medidas para proteger os ouvidos.

Riscos residuais

Podem surgir riscos residuais adicionais durante a utilização da ferramenta que podem não constar nos avisos de segurança incluídos. Estes riscos podem resultar de má utilização, utilização prolongada, etc.

Mesmo que as regulamentações de segurança relevantes sejam cumpridas e os dispositivos de segurança sejam implementados, alguns riscos residuais não podem ser evitados. Estes incluem:

- ◆ Ferimentos causados pelo contacto com peças em rotação/movimento.
- ◆ Ferimentos causados durante a troca de peças, lâminas ou acessórios.
- ◆ Ferimentos causados pela utilização prolongada de uma ferramenta. Se utilizar uma ferramenta durante períodos prolongados, certifique-se de que faz pausas com frequência.

- ◆ Danos auditivos.
- ◆ Problemas de saúde causados pela inalação de poeiras resultantes da utilização da ferramenta (exemplo: trabalhos em madeira, especialmente carvalho, faia e MDF).

Vibração

Os valores de emissão de vibração e o(s) valor(es) de emissão de ruído declarados na secção de dados técnicos e na declaração de conformidade foram medidos de acordo com o método de teste padrão fornecido pela EN 62841 e podem ser utilizados para comparar ferramentas. O valor de emissão de vibração declarado e o(s) valor(es) de emissão de ruído declarado(s) podem ser utilizados também numa avaliação preliminar da exposição.

Atenção! O valor da emissão de vibração e ruído durante a utilização real da ferramenta eléctrica pode ser diferente do valor declarado, dependendo da maneira como a ferramenta é utilizada. O nível de vibração pode aumentar acima do nível indicado.

Quando avaliar a exposição a vibração para determinar as medidas de segurança exigidas pela norma 2002/44/CE para proteger as pessoas que utilizam ferramentas eléctricas com frequência, deve ser efectuada uma estimativa da exposição a vibração, as condições de utilização e a maneira como a ferramenta é utilizada, incluindo a consideração todas as fases do ciclo de funcionamento, por exemplo, o número de vezes que a ferramenta é desligada e quando funciona ao ralento, além do tempo de accionamento.

Etiquetas colocadas na ferramenta

Os seguintes pictogramas são apresentados na ferramenta, assim como o código de data:



Atenção! Para reduzir o risco de ferimentos, o utilizador deve ler o manual de instruções.



Não utilize a serra sob condições húmidas nem a exponha à chuva.



Utilize sempre protecções para a cabeça, ouvidos e olhos.



Utilize sempre luvas.



Utilize sempre calçado de segurança antiderrapante.



Segure sempre a motosserra firmemente com as duas mãos.



Não utilize a motosserra apenas com uma mão.



Preste atenção à força de recuo da motosserra e evite o contacto com a ponta da barra da corrente da serra.



Esteja atento à queda de objectos. Mantenha os transeuntes afastados



Atenção! Não toque na corrente da serra no ponto de eliminação de lascas



Direcção de rotação da corrente da serra.



Desligue imediatamente o cabo da ficha principal se este ficar danificado ou cortado.



Potência sonora garantida pela directiva 2000/14/CE.



Potência sonora garantida pela directiva 2000/14/CE.



Potência sonora garantida pela directiva 2000/14/CE.

Segurança eléctrica



Esta ferramenta tem isolamento duplo. Por esse motivo, não necessita de ligação à terra. Verifique sempre se a fonte de alimentação corresponde à tensão indicada na placa sinalética.

- ◆ Se o cabo de alimentação estiver danificado, terá de ser substituído pelo fabricante ou por um centro de assistência autorizado BLACK+DECKER para evitar acidentes.

Utilizar uma extensão

- ◆ Utilize sempre um cabo de extensão aprovado e adequado para a potência desta ferramenta (ver dados técnicos). A extensão deve ser adequada para utilização ao ar livre e marcado em conformidade. Pode utilizar uma extensão H07RN-F de 1,5 mm² até 30 m sem perda do desempenho do produto. Antes da utilização, verifique se a extensão apresenta sinais de envelhecimento, danos ou desgaste. Substitua a extensão se estiver danificada ou avariada.

Ao utilizar uma bobina de cabo, desenrole sempre o cabo na íntegra.



Atenção! Remova a braçadeira de cabos que prende a corrente da serra à barra da corrente antes da montagem.

Quedas de tensão

- ◆ Em determinadas condições de alimentação, este produto pode provocar quedas de voltagem de curta duração durante o arranque.
- ◆ Tal poderá afectar outros equipamentos. Por exemplo, as luzes eléctricas podem diminuir de intensidade temporariamente.
- ◆ Se necessário, contacte o seu fornecedor de energia para verificar se a impedância de alimentação é inferior a 0,159 ohms. Nestas condições, é pouco provável a ocorrência de qualquer tipo de interferência.

Protecção contra choque eléctrico

- ◆ Evite o contacto com superfícies aterradas tais como trilhos de metal, postes de iluminação, etc. A segurança eléctrica pode ser melhorada mediante a utilização de um Dispositivo de Corrente Residual (RCD) de alta sensibilidade (30 mA/30mS).



Atenção! A utilização de um RCD ou de outro disjuntor não desvincula o utilizador da sua electroserra das instruções de segurança e práticas de trabalho seguro fornecidas neste manual do utilizador.

Acessórios

1. Interruptor para ligar/desligar
2. Botão de desbloqueio (não apresentado)
3. Protecção dianteira
4. Barra-guia
5. Corrente da serra
6. Conjunto da protecção da corrente da serra
7. Roda de ajuste da tensão da corrente da serra
8. Botão de bloqueio de ajuste da barra
9. Protecção da barra-guia
10. Cabo de alimentação
11. Fixador do cabo de alimentação
12. Tampão do óleo
13. Indicador do nível do óleo
14. Pára-choques com espigões

Montagem



Atenção! Utilize sempre luvas de protecção ao trabalhar na sua electroserra.



Atenção! Antes de efectuar qualquer montagem ou manutenção de uma ferramenta eléctrica, desligue-a e remova a ficha da tomada.

Lubrificar a corrente da serra

Deve efectuar este procedimento sempre que utilizar uma nova corrente da serra (5) pela primeira vez. Retire a nova corrente da serra (5) e mergulhe-a em óleo para correntes de serra durante, pelo menos, uma hora antes de utilizá-la. Utilize o óleo para correntes de serra da BLACK+DECKER. Recomendamos que utilize sempre óleo BLACK+DECKER ao longo do período de vida da motosserra, uma vez que a mistura de diversos óleos poderá originar a degradação do óleo, o que poderá reduzir de forma dramática o período de vida da corrente da serra, originando riscos adicionais. Nunca utilize óleo usado, óleo pesado ou óleo de máquina de costura muito leve. Estes óleos podem danificar a sua motosserra.

Colocar a barra-guia e a corrente da serra. (Fig. A a G)

- ◆ Coloque a electroserra numa superfície estável.
- ◆ Rode o botão de bloqueio de ajuste da barra para (8) para a esquerda, como indicado na Figura A para remover o conjunto da protecção da corrente (6).
- ◆ Com luvas de protecção, agarre na corrente da serra (5) e enrole-a à volta da barra-guia (4), certificando-se de que os dentes estão virados para a direcção correcta (consulte a Figura G).
- ◆ Assegure-se de que a corrente da serra foi inserida correctamente na ranhura à volta de toda a barra-guia.
- ◆ Coloque a corrente da serra à volta da roda dentada (16) à medida que alinha a ranhura na barra-guia com o parafuso (17) na base da ferramenta e o pino de tensão da corrente da serra (18), como indicado na Figura B.

Nota: Pode ser necessário ajustar a posição do pino de tensão da corrente da serra (18) para que encaixe correctamente na barra-guia, girando a roda de tensão da corrente da serra (7).

- ◆ Quando estiver no local pretendido, gire a roda de tensão da corrente da serra (7) à mão para apertar o conjunto e fixá-lo no respectivo local.
- ◆ Mantendo a barra fixa, volte a colocar a cobertura da roda dentada (6). Certifique-se de que a patilha (19) na cobertura fica alinhada com a ranhura (20) na caixa principal, como indicado na Figura C. Rode o botão de bloqueio de ajuste da barra (8) para a direita até ficar bem aperada e depois desaperte o botão (8) uma volta completa, para que a corrente da serra fique tensionada correctamente.

- ◆ Siga as instruções "Regular a tensão da corrente de serra" na secção seguinte.

Regular a tensão da corrente da serra

Atenção! Corrente da serra afiada. Utilize sempre luvas de protecção quando utilizar a corrente da serra. A corrente da serra é afiada e pode cortá-lo quando não estiver a ser utilizada.

Atenção! Corrente da serra afiada em movimento. Para evitar um accionamento accidental, certifique-se de que a ferramenta está desligada antes de efectuar as seguintes operações. Se não o fizer, poderão ocorrer ferimentos pessoais graves.

- ◆ Com a serra colocada numa superfície firme, verifique a tensão da corrente da serra (5). A tensão está correcta quando a corrente da serra volta para a respectiva posição depois de ter sido puxada 3 mm da barra-guia (4) com força ligeira a partir do dedo médio e do polegar, como indicado na Figura D.
- ◆ Para ajustar a tensão da corrente da serra, desaperte o botão de bloqueio de ajuste da barra (8), gire a roda de tensão da corrente da serra (7) para a parte superior da serra e aumente a tensão, como indicado na Figura E. Aperte o botão de bloqueio de ajuste da barra até ficar bem apertado, depois de certificar-se de que a corrente da serra (5) fica bem apertada à volta da barra-guia (4).
- ◆ Não deve haver uma folga entre a barra-guia e a corrente da serra na parte inferior, como indicado na Figura F.
- ◆ Quando a tensão da corrente da serra estiver correcta, aperte o botão de bloqueio de ajuste da barra-guia.
- ◆ Não aplique demasiada tensão na corrente da serra, uma vez que tal causa um desgaste excessivo e reduz a vida útil da barra e da corrente da serra.
- ◆ Se a corrente da serra for nova, verifique a tensão com frequência (depois de desligar a ferramenta) durante as primeiras 2 horas de utilização, porque a nova corrente da serra estica ligeiramente.

Lubrificar a corrente da serra

Atenção! Corrente da serra afiada. Utilize sempre luvas de protecção quando utilizar a corrente da serra. A corrente da serra é afiada e pode cortá-lo quando não estiver a ser utilizada.

Atenção! Corrente da serra afiada em movimento. Para evitar um accionamento accidental, certifique-se de que a ferramenta está desligada antes de efectuar as seguintes operações. Se não o fizer, poderão ocorrer ferimentos pessoais graves.

- ◆ Rode o botão de bloqueio de ajuste da barra-guia (8) para a esquerda para reduzir a tensão da corrente da serra.
- ◆ Retire o conjunto da protecção da corrente (6), como descrito na secção "Instalar a barra-guia e a corrente da serra".
- ◆ Levante a corrente da serra gasta (5) da ranhura na barra-guia (4).

- ◆ Coloque a nova corrente da serra na ranhura da barra-guia, certificando-se de que os dentes da serra estão virados no sentido correcto, fazendo corresponder a seta na corrente da serra com o gráfico no conjunto da protecção da corrente (6), como indicado na Figura G.
- ◆ Siga as instruções indicadas acima sobre a instalação da barra-guia e da corrente da serra e como ajustar a tensão da corrente da serra.

Sistema automático de lubrificação

Esta motosserra está equipada com um sistema automático de lubrificação, que mantém a corrente da serra e a barra-guia sempre lubrificadas.

O indicador do nível do óleo (13) mostra o nível do óleo na motosserra. Se o nível de óleo for inferior a um quarto do depósito cheio, retire a motosserra e volte a encher com o óleo adequado.

Nota: Utilize um óleo para barras-guia e correntes de serra de qualidade elevada para uma lubrificação adequada da corrente da serra e da barra-guia. Como alternativa temporária, pode utilizar um óleo para motor SAE30 sem detergente. Quando podar árvores, é recomendável utilizar uma barra-guia vegetal e um óleo para corrente da serra. O óleo mineral não é recomendado, porque pode causar danos nas árvores. Nunca utilize óleo usado ou um óleo muito espesso. Estes óleos podem danificar a sua motosserra.

Encher o depósito de lubrificante

- ◆ Retire o tampão do óleo (12) e encha o depósito com a quantidade recomendada de óleo para correntes de serra até o nível de óleo atingir o topo do indicador do nível de óleo (13).
- ◆ Volte a colocar o tampão do óleo.
- ◆ Desligue a motosserra periodicamente e verifique o indicador do nível de óleo para garantir a lubrificação adequada da barra-guia e da corrente da serra.

Colocar a extensão

Está integrado um sistema de fixação da extensão (11) na pega do gatilho. Impede que a extensão se solte.

- ◆ Dobre a extensão e insira-a na ranhura (21) na extremidade da área da pega, como indicado na Figura H. Pendure o laço formado, dobrando o cabo à volta do sistema de fixação do cabo (11). Puxe com cuidado o cabo para garantir que fica encaixado com firmeza na pega. Ligue a extremidade da tomada da extensão no cabo de alimentação (12) da motosserra.

Transportar a serra

- ◆ Tape sempre a barra-guia (4) com a protecção da barra-guia (9) (Figura J) quando transportar a serra.

- ◆ Quando a unidade não estiver a ser utilizada, a protecção dianteira (3), que isola a unidade, deve ser empurrada para a frente. Quando este sistema estiver activado, o utilizador não deve mover-se.

Utilizar a motosserra

Atenção! Leia e compreenda todas as instruções. O não cumprimento de todas as instruções indicadas abaixo pode resultar em choque eléctrico, incêndio e/ou lesões graves.

Ligar e desligar

- ◆ Para ligar a ferramenta, carregue no botão de bloqueio (2) e carregue no gatilho (1), como indicado na Figura H. (Quando a ferramenta estiver ligada, pode libertar o botão de bloqueio.)
- ◆ Para desligar a ferramenta, liberte o gatilho.

Nota: Não será possível ligar a ferramenta se a protecção dianteira (3) não estiver na posição "pronta".

Como regular a protecção dianteira

- ◆ Verifique se a ferramenta está desligada da corrente eléctrica.
- ◆ Puxe a protecção dianteira (3) da posição "pronta".
- ◆ A ferramenta está pronta a ser utilizada.

Como funciona a protecção dianteira

Em caso de recuo, a mão esquerda entra em contacto com a protecção dianteira (3), empurrando-a para a frente, na direcção à peça de trabalho e pára a ferramenta numa fracção de segundo.

Abate de árvores (Fig. K, L e M)

Os utilizadores inexperientes não deverão tentar derrubar árvores. O utilizador pode sofrer ferimentos ou provocar danos materiais em consequência da perda de controlo da direcção da queda, a árvore pode lascar ou podem cair ramos danificados/mortos durante o corte:

A distância de segurança entre um ramo a derrubar e as pessoas presentes, edifícios e outros objectos corresponde no mínimo a 2 1/2 vezes a altura da árvore. Qualquer pessoa, edifício ou objecto que não se encontre a esta distância corre o risco de ser atingido pela árvore quando derrubada.

Antes de tentar derrubar uma árvore:

- ◆ Certifique-se de que não existem quaisquer leis ou regulamentações locais que impeçam ou regulem o derrube da árvore.
- ◆ Analise todos os elementos que possam afectar a direcção da queda, incluindo:
 - ◆ A direcção pretendida da queda.
 - ◆ A inclinação natural da árvore:
 - ◆ A existência de alguma estrutura ou apodrecimento de madeira pesada.

- ◆ As árvores e obstáculos envolventes, incluindo linhas aéreas e canalizações subterrâneas.
- ◆ A velocidade e direcção do vento.

Planeie antecipadamente uma saída de segurança para escapar a árvores ou ramos em queda.

Certifique-se de que o caminho não possui obstáculos que possam impedir ou reduzir o movimento. Lembre-se de que a relva molhada e as cascas de árvore cortadas recentemente podem ser escorregadias.

- ◆ Não tente derrubar árvores cujo diâmetro seja superior ao comprimento de corte da motosserra:
- ◆ Faça um corte de direcção para determinar a direcção da queda.
- ◆ Faça um corte horizontal a uma profundidade entre 1/5 e 1/3 do diâmetro da árvore, de forma perpendicular à linha de queda na base da árvore (Fig. K).
- ◆ Faça um segundo corte a partir de cima de modo a intersectar com o primeiro e efectuar um corte com cerca de 45°.
- ◆ Faça um único corte de derrubamento horizontal a partir do outro lado 25 a 50 mm acima do centro do corte de direcção. (Fig. L). Não corte através do corte de direcção, porque pode perder o controlo da direcção da queda.
- ◆ Coloque um ou mais calços no corte de derrubamento para abri-lo e abater a árvore (Fig. M).

Podar árvores

Certifique-se de que não existem quaisquer leis ou regulamentações locais que impeçam ou regulem a poda dos ramos de árvores. A poda apenas deve ser efectuada por utilizadores experientes, porque existe um maior risco da corrente da serra ficar presa e causar recuo.

Antes da poda, devem ser tomadas em consideração as condições que afectam a direcção da queda, incluindo:

- ◆ O comprimento e peso do ramo a cortar.
- ◆ A existência de alguma estrutura ou apodrecimento de madeira pesada.
- ◆ Árvores e obstáculos envolventes, incluindo linhas aéreas.
- ◆ A velocidade e direcção do vento:
- ◆ O ramo estar entrelaçado com outros ramos.

O operador deve ter em consideração o acesso ao ramo da árvore e a direcção da queda. É provável que o ramo da árvore oscile em direcção ao tronco da árvore. Além do utilizador, as pessoas, objectos e propriedade sob o ramo correm riscos.

- ◆ Para evitar a criação de lascas, efectue o primeiro corte para cima a uma profundidade máxima de um terço do diâmetro do ramo.
- ◆ Faça o segundo corte para baixo de modo a ir ao encontro do primeiro.

Cortar toros (Fig. N, O e P)

Como cortar depende da maneira como o tronco está apoiado. Utilize um cavalete sempre que possível. Inicie sempre um corte com a corrente da serra em funcionamento e o pára-choques com espigões (22) em contacto com a madeira (Fig. N).

Para completar o corte, utilize uma acção pivotante do amortecedor afiado contra a madeira.

Quando suportado ao longo de todo o respectivo comprimento:

- ◆ Efectue um corte para baixo, mas evite cortar a terra, porque isso faz com que a corrente da serra fique embotada rapidamente.

Quando apoiado em ambas as extremidades:

- ◆ Primeiro, corte um terço para evitar que a madeira lasque e, depois, efectue um novo corte que vá de encontro ao primeiro.

Quando apoiado numa extremidade:

- ◆ Em primeiro lugar, corte um terço para cima de modo a evitar que a madeira lasque e, em segundo lugar, corte para baixo para evitar que a madeira lasque.

Quando está num declive:

- ◆ Fique sempre no lado de cima.

Quando tentar cortar um toro no chão (Fig. O)

- ◆ Fixe a peça utilizando calços ou cunhas. O tronco não deve ser fixado pelo utilizador ou por um espectador sentando-se ou pondo-se de pé sobre o tronco. Certifique-se de que a corrente da serra não entra em contacto com o solo.

Quando utilizar um cavalete de serração (Fig. P):

É vivamente recomendado sempre que possível.

- ◆ Coloque o tronco numa posição estável. Corte sempre do lado de fora dos braços do cavalete. Utilize grampos ou correntes para fixar a peça de trabalho.

Arrancar ramos de árvores (Fig. Q)

Remover os ramos de uma árvore caída. Quando cortar as pernadas, deixe as pernadas maiores da parte inferior a impedir que o tronco fique apoiado no chão. Remova as pernadas pequenas com um só corte. Os ramos sob tensão devem ser cortados da base para o topo do ramo, de modo a evitar o bloqueio da motosserra. Corte os ramos partindo do lado oposto e mantenha o tronco entre si e a serra. Nunca corte com a serra entre as pernas nem se sente sobre a pernada a cortar.

Resolução de problemas

Problema	Causa possível	Possível solução
A ferramenta não arranca	Botão de bloqueio não premido.	Carregue no botão de bloqueio.
	Protecção dianteira na posição de travagem	Repór a protecção dianteira
	Fusível fundido	Substituir fusível
	RCD torcido	Verificar RCD
A corrente da serra não pára 2 segundos depois da ferramenta ser desligada	A tensão da corrente da serra está demasiado folgada	Verifique a tensão da corrente da serra
	Cabo de alimentação não ligado	Verifique a alimentação eléctrica
Barra-guia/corrente quente/com fumo	Depósito de óleo vazio	Verifique o nível do depósito de óleo
	Orifício de lubrificação bloqueado na barra-guia da corrente da serra	Limpe os orifícios de lubrificação e desobstrua a ranhura à volta da extremidade da barra da corrente de serra.
	A tensão da corrente da serra está demasiado apertada	Verifique a tensão da corrente da serra
	A ponta da roda dentada da barra-guia necessita de lubrificação	Lubrifique a ponta da roda dentada da barra-guia
A motosserra não corta bem	A corrente da serra está instalada ao contrário	Verifique/modifique a direcção da corrente da serra
	A corrente da serra está embotada	Afie ou substitua a corrente da serra
A motosserra não está a usar o óleo	Resíduos no depósito	Esvazie o óleo do depósito e reabasteça
	Orifício de óleo bloqueado na tampa	Retire os resíduos do orifício
	Resíduos na barra da corrente da serra	Retire os resíduos e limpe a barra da corrente da serra
	Resíduos na saída do óleo	Retire os resíduos

Manutenção

Uma manutenção frequente assegura à ferramenta um tempo de vida útil longo. Recomendamos que efectue as seguintes inspecções com frequência.

Atenção! Antes de proceder a qualquer acção de manutenção em ferramentas eléctricas com cabo/sem fios:

- ◆ Desligue a ferramenta da alimentação principal.

Nível do óleo

O nível do depósito não deve estar a menos de um quarto.

Corrente da serra e barra de direcção (fig. F)

- ◆ Após poucas horas de utilização e antes do armazenamento, remova a barra de direcção (4) e a barra-guia (5) e, em seguida, limpe-as bem.
- ◆ Certifique-se de que a protecção está limpa e que não tem sujidade.

Atenção! Não aperte demasiado.

- ◆ Lubrifique a ponta da roda dentada através do orifício de lubrificação da roda dentada, para garantir uma distribuição equilibrada do desgaste em torno dos trilhos da barra de direcção.

Afiar a corrente

Se pretende obter os melhores resultados desta ferramenta, é importante manter os dentes da corrente da motosserra afiados.

Substituir correntes de serra gastas

As correntes de serra sobresselentes são disponibilizadas pelos revendedores ou agentes de serviço BLACK+DECKER. Utilize sempre peças sobresselentes originais.

Corrente da serra sobresselente:

BECS1835, corrente de 35 cm A6235CS

BECS2040, corrente de 40 cm A6240CS

BECS2245, corrente de 45 cm A6245CS

Afiação da corrente

As lâminas da corrente da serra ficam imediatamente embotadas se tocarem no solo ou num prego durante o corte.

Tensão da corrente

Verifique regularmente a tensão da corrente da serra.

O que fazer se a sua motosserra necessitar de reparação.

A sua motosserra foi fabricada em conformidade com os requisitos de segurança aplicáveis. As reparações devem ser efectuadas por uma pessoa qualificada utilizando peças sobresselentes originais. Caso contrário, tal pode resultar em perigos consideráveis para o utilizador. Recomendamos que mantenha o manual do utilizador em local seguro.

Substituição da ficha de alimentação (apenas no Reino Unido e na Irlanda)

Se for necessário instalar uma nova ficha de alimentação:

- ◆ Elimine a ficha antiga de maneira segura.
- ◆ Ligue o cabo castanho ao terminal activo na nova ficha.
- ◆ Ligue o cabo azul ao terminal neutro.

Atenção! Não deve ser efectuada qualquer ligação ao terminal de terra. Siga as instruções de instalação fornecidas com fichas de boa qualidade. Fusível recomendado: 10 A.

Protecção do ambiente



Faça uma recolha de lixo selectiva. Os produtos e as baterias assinalados com este símbolo não devem ser eliminados em conjunto com os resíduos domésticos normais

Os produtos e as baterias contêm materiais que podem ser recuperados ou reciclados, reduzindo assim a necessidade de matérias-primas. Recicle os produtos eléctricos e as baterias de acordo com as disposições locais. Estão disponíveis mais informações em www.2helpU.com

Dados técnicos

		BECS1835 Tipo 1	BECS2040 Tipo 1	BECS2245 Tipo 1
Tensão	V _{ca}	230 V	230 V	230 V
Comprimento da barra	cm	35	40	46
Comprimento máximo da barra	mm	419	459	511
Velocidade máxima da corrente (sem carga)	m/sm	14,5	14,5	14,5
Comprimento máximo de corte	mm	319	368	407
Capacidade do óleo	ml	170	170	170
peso (sem corrente da serra, barra-guia, óleo)	kg	4,1	4,1	4,3

BECS1835 Valor de ruído medido de acordo com a norma EN62841:

LpA (pressão sonora): 99 dB(A), variabilidade (K) 3 dB(A)
LwA (potência sonora): 109 dB(A), variabilidade (K): 1,6 dB(A)

BECS1835 Valores totais de vibração (valores totais de vibração) de acordo com a norma EN 602841:

Valor de emissão de vibrações (a_h) = 3,8 m/s², variabilidade (K) = 1,5 m/s²

BECS2040 Valor de ruído medido de acordo com a norma EN62841:

LpA (pressão sonora): 100 dB(A), variabilidade (K) 3 dB(A)
LwA (potência sonora): 110 dB(A), variabilidade (K): 1,8 dB(A)

BECS2040 Valores totais de vibração (valores totais de vibração) de acordo com a norma EN 602841:

Valor de emissão de vibrações (a_h) = 5,2 m/s², variabilidade (K) = 1,5 m/s²

BECS2245 Valor de ruído medido de acordo com a norma EN62841:

LpA (pressão sonora): 98 dB(A), variabilidade (K) 3 dB(A)
LwA (potência sonora): 108 dB(A), variabilidade (K): 1,6 dB(A)

BECS2245 Valores totais de vibração (valores totais de vibração) de acordo com a norma EN 602841:

Valor de emissão de vibrações (a_h) = 4,1 m/s², variabilidade (K) = 1,5 m/s²

Declaração de conformidade da CE

DIRECTIVA "MÁQUINAS"



BECS1835, BECS2040, BECS2245 Motosserra

A Black & Decker declara que os produtos descritos em "dados técnicos" estão em conformidade com as seguintes normas: 2006/42/CE,

EN 62841-1:2015+A11:2022, EN 62841-4-1:2020
2000/14/CE, Anexo V

BECS2040: LWA (nível de potência sonora medida) 110 dB(A), variabilidade (K) = 1,8 dB (A),

LWA (potência sonora garantida) 112 dB(A)

BECS1835: Nível de potência sonora medida LWA: 109 dB(A). K = 1,6 dB(A).

Potência sonora garantida, LWA: 111 dB(A).

BECS2245: Nível de potência sonora medida LWA: 108 dB(A). K = 1,6 dB(A).

Potência sonora garantida, LWA: 110 dB(A)

Além disso, estes produtos também se encontram em conformidade com a Directiva 2014/30/UE e 2011/65/UE.

Para obter mais informações, contacte a Black & Decker através do endereço seguinte ou consulte o verso do manual. O abaixo assinado é responsável pela compilação do ficheiro técnico e faz esta declaração em nome da Black & Decker.

Patrick Diepenbach

Patrick Diepenbach
Director-Geral, Benelux
Black & Decker,
Egide Walschaertsstraat 14-18
2800 Mechelen, Bélgica
17/02/2023

Garantia

A Black & Decker está confiante na qualidade dos respectivos produtos e proporciona aos consumidores uma garantia de 24 meses a partir da data de aquisição.

Esta garantia é um complemento dos seus direitos estabelecidos por lei, não os prejudicando de forma alguma. A garantia é válida nos territórios dos Estados-membros da União Europeia, da Zona Europeia de Comércio Livre e no Reino Unido.

Para accionar a garantia, esta deve estar em conformidade com os termos e condições da Black & Decker e terá de apresentar comprovativos de compra ao vendedor ou a um técnico de reparação autorizado.

Os termos e condições da garantia de 2 anos da Black & Decker e a localização do agente de reparação autorizado mais próximo podem ser obtidos na Internet em www.2helpU.com ou contactando uma filial da Black & Decker, cuja morada está indicada neste manual.

Visite o nosso Website www.blackanddecker.co.uk para registar o novo produto BLACK+DECKER e manter-se actualizado relativamente a novos produtos e ofertas especiais.

(Översättning av originalanvisningarna)

SVENSKA

Avsedd användning

Din BLACK+DECKER™ BECS1835, BECS2040, BECS2245 motorsåg har designats för att fälla träd och kapa stockar. Verktöget är endast avsett som konsumentverktyg.

Säkerhetsinstruktioner

Allmänna säkerhetsvarningar för elverktyg



Varning! Läs alla säkerhetsvarningar, instruktioner, illustrationer och specifikationer som levereras med detta elverktyg. Underlåtenhet att läsa alla instruktioner som listas här nedan kan resultera i elektrisk stöt, eldsvåda och/eller allvarlig personskada.

Spara alla säkerhetsföreskrifter och anvisningar för framtida bruk. Begreppet "Elverktyg" i alla varningar som listas nedan avser nätdrivna elverktyg (med nätsladd) och batteridrivna elverktyg (sladdlösa).

1. Säkerhet på arbetsplatsen

- Se till att arbetsområdet är rent och väl belyst.** Belamrade och mörka områden inbjuder till olyckor.
- Använd inte elverktöget i explosionsfarlig omgivning, t.ex. i närheten av brännbara vätskor, gaser eller damm.** Elverktyg skapar gnistor som kan antända damm eller ångor.
- Håll barn och andra obehöriga personer på avstånd vid arbete med elverktöget.** Distractioner kan göra att du förlorar kontrollen.

2. Elsäkerhet

- Elverktögets stickkontakt måste passa i eluttaget. Modifiera aldrig kontakten på något sätt. Använd inga adapterkontakter tillsammans med jordade elverktyg.** Omodifierade kontakter och matchande uttag minskar risken för elektrisk stöt.
- Undvik kroppskontakt med jordade ytor, t.ex. rör, värmeelement, spisar och kylskåp.** Det finns en ökad risk för elektrisk stöt om din kropp är jordansluten eller jordad.
- Utsätt inte elverktöget för regn eller våta omgivelningar.**

Vatten som kommer in i ett elverktyg ökar risken för elektrisk stöt.

- d. **Hantera nätsladden varsamt. Använd aldrig sladden för att bära, dra eller koppla bort elverktyget från uttaget. Håll sladden borta från värme, olja, skarpa kanter eller rörliga delar.** Skadade eller tilltrasslade sladdar ökar risken för elektrisk stöt.
- e. **Använd en förlängningsladd som är godkänd för utomhusbruk när du arbetar med elverktyg utomhus.** Användning av en sladd som är lämplig för utomhusbruk minskar risken för elektriska stötar.
- f. **Om du måste använda ett elverktyg på en fuktig plats, bör du använda en strömförsörjning med jordfelsbrytare.** Användning av en jordfelsbrytare minskar risken för elektrisk stöt.

3. Personlig säkerhet

- a. **Var uppmärksam, se på vad du gör och använd sunt omdöme när du använder elverktyget. Använd inte ett elverktyg när du är trött eller påverkad av droger, alkohol eller mediciner.** Ett ögonblicks ouppmärksamhet när du arbetar med elektriska verktyg kan resultera i allvarigt personskada.
- b. **Använd personlig skyddsutrustning. Använd alltid skyddsglasögon.** Skyddsutrustning såsom dammfilterskydd, halksäkra säkerhetsskor, skyddshjälm eller hörselskydd som används för lämpliga förhållanden minskar personskador.
- c. **Förhindra oavsiktlig start. Kontrollera att strömbrytaren står i avstängt läge innan du ansluter verktyget till elnätet eller sätter i batteriet, samt innan du tar upp eller bär verktyget.** Att bära elektriska verktyg med fingret på strömbrytaren eller att koppla strömmen till elektriska verktyg när strömbrytaren är på leder till olyckor.
- d. **Ta bort alla inställningsverktyg och skruvnycklar innan du startar elverktyget.** Ett verktyg eller en nyckel som har lämnats kvar på en roterande del av det elektriska verktyget kan orsaka kroppsskador.
- e. **Sträck dig inte för mycket. Ha ordentligt fotfäste och balans hela tiden.** Detta möjliggör bättre kontroll av elverktyget i oväntade situationer.
- f. **Bär lämpliga kläder. Bär inte lösa kläder eller smycken. Håll hår, beklädnad och handskar borta från delar i rörelse.** Lösa kläder, smycken eller långt hår kan fastna i rörliga delar.
- g. **Om enheten har dammsugnings- och uppsamlingsutrustning, se till att den är ansluten och används på korrekt sätt.** Användning av dammuppsamling kan minska dammrelaterade faror.
- h. **Bli inte vårdslös och ignorera inte säkerhetsprinciperna trots att du är van att använda verktyg.** Vårdslöst handlande kan leda till allvarig kroppsskada på en bråkdel av en sekund.

4. Användning och skötsel av elverktyg

- a. **Överbelasta inte elverktyget. Använd rätt elverktyg för ditt arbete.** Det korrekta elverktyget gör arbetet bättre och säkrare vid den hastighet för vilket det konstruerades.
- b. **Använd inte elverktyget om det inte kan startas och stängas av med strömbrytaren.** Ett elverktyg som inte kan kontrolleras med strömbrytaren är farligt och måste repareras.
- c. **Dra stickkontakten ur vägguttaget och/eller ta ut batteriet ur elverktyget innan inställningar görs, tillbehörsdelar byts ut eller elverktyget läggs undan.** Sådana förebyggande säkerhetsåtgärder minskar risken att oavsiktligt starta elverktyget.
- d. **Förvara elverktyg utom räckhåll för barn. Låt inte personer som inte är vana vid elverktyget eller som inte läst denna bruksanvisning använda det.** Elverktyg är farliga i händerna på ovana användare.
- e. **Underhålla elverktyg. Kontrollera att rörliga komponenter fungerar felfritt och inte kärvar, att komponenter inte gått sönder eller skadats och inget annat föreligger som kan påverka elverktygets funktion. Om det är skadat, se till att elverktyget blir reparerat före användning.** Många olyckor orsakas av dåligt underhållna elektriska verktyg.
- f. **Håll skärande verktyg vassa och rena.** Det finns mindre risk att ordentligt skötta kapningsverktyg med vassa blad fastnar och de är lättare att kontrollera.
- g. **Använd elverktyget, dess tillbehör och verktyg i enlighet med dessa instruktioner och under beaktande av arbetsförhållandena och det arbete som ska utföras.** Användningen av elverktyget för andra verksamheter än de som det är avsett för skulle kunna resultera i en farlig situation.
- h. **Håll handtagen och greppytorna torra, rena och fria från olja och fett.** Hala handtag och greppytor förhindrar säker hantering och kontroll av verktyget i oväntade situationer.

5. Service

- a. **Låt en kvalificerad reparatör som bara använder originaldelar utföra service på elverktyget.** Detta säkerställer att elverktygets säkerhet bibehålls.

Allmänna säkerhetsföreskrifter för motorsågar



Varning! Extra säkerhetsföreskrifter för motorsågar.

- ◆ **Håll undan alla kroppsdelar från kedjan när sågen är igång. Se till att kedjan inte vidrör något innan du startar sågen.** Ett ögonblick av ouppmärksamhet medan motorsågen är igång kan leda till att dina kläder eller kroppsdelar fastnar i sågkedjan.

- ◆ **Håll alltid motorsågen med din högra hand på det bakre handtaget och din vänstra hand på det främre handtaget.** Håll aldrig sågen med händerna i omvänd ordning eftersom risken för personskador då ökar.
- ◆ **Håll endast motorsågen i de isolerade greppytorna eftersom det finns risk för att sågkedjan kommer i kontakt med dolda elledningar.** Om en sågkedja får kontakt med strömförande ledningar kan verktygets metalldelar bli strömförande och ge dig en elektrisk stöt.
- ◆ **Använd skyddsglasögon. Ytterligare skyddsutrustning för hörsel, huvud, händer, ben och fötter rekommenderas.** Lämpliga skyddskläder minskar personskador till följd av flygande träbitar eller oavsiktlig kontakt med sågens kedja.
- ◆ **Använd inte motorsågen när du är uppe i ett träd eller står på en stege eller någon annan instabil yta.** Användning av en motorsåg på detta sätt kan leda till allvarliga personskador.
- ◆ **Se alltid till att ha ordentligt fotfäste och stå på ett stadigt, säkert och jämnt underlag när du använder motorsågen.** Hala eller instabila underlag, t.ex. stegar, kan få dig att tappa balansen eller förlora kontrollen över sågen.
- ◆ **Var uppmärksam på att en spänd gren som sågas av kan fjädra tillbaka.** När spänningen i träfibren släpps kan det fjäderbelastade arbetsstycket träffa operatören och/eller försätta motorsågen ur kontroll.
- ◆ **lakta stor försiktighet vid kapning av buskar och unga träd.** Tunna grenar kan fastna i kedjan och slå tillbaka mot dig eller få dig att tappa balansen.
- ◆ **Bär motorsågen i det främre handtaget och se till att den är avstängd och att kedjan inte kommer i kontakt med kroppen.**
Se alltid till att svärdskyddet är på under transport eller förvaring. Om motorsågen hanteras på rätt sätt minskas risken för oavsiktlig kontakt med kedjan när den är i rörelse.
- ◆ **Följ anvisningarna för smörjning, kedjespänning och för byte av svärd och kedja.** En felaktigt spänd eller smord kedja kan gå av eller medföra ökad risk för kast.
- ◆ **Såga endast i trä. Använd inte sågen till annat än det den är avsedd för. Använd den inte till att såga metall, plast, murverk eller byggmaterial som inte är av trä.** Användning av sågen på annat sätt än det avsedda kan framkalla fara.
- ◆ **Försök inte fälla ett träd förrän du har förstått riskerna och hur du kan undvika dem.** Allvarlig skada kan uppstå för operatören eller närstående när denne faller ett träd.
- ◆ **Följ alla instruktioner när du rensar fastnat material, förvarar eller underhåller motorsågen. Se till att verktyget är bortkopplat från eluttaget.** Övntad aktivering av häcksaxen medan material som fastnat tas bort kan resultera i allvarliga personskador.
- ◆ Använd tät åtsittande och skyddande kläder och en säkerhetshjälm med visir/skyddsglasögon, hörselskydd, halkfria skodon, skyddande arbetsbyxor och kraftiga läderhandskar.
- ◆ Se alltid till att du befinner dig på säkert avstånd från eventuella fallande grenar.
- ◆ Säkerhetsavståndet mellan grenar som faller ned och personer som står nära, byggnader och andra föremål är minst 2 1/2 gånger längden på grenen. Alla personer, byggnader och föremål inom detta avstånd löper risk att träffas av den fallande grenen.
- ◆ Förbered säker väg bort från fallande träd eller grenar. Se till att vägen är fri från hinder som kan begränsa dina rörelser. Tänk på att vått gräs och nyskalad bark är halt.
- ◆ Se till att ha någon i närheten (på säkert avstånd) i händelse av olycka.
- ◆ Använd inte verktyget när du står uppe i ett träd eller på en stege eller någon annan instabil yta.
- ◆ Ha ordentligt fotfäste och balans hela tiden.
- ◆ Håll sågen stadigt med båda händerna när motorn är i gång.
- ◆ Låt inte den löpande sågkedjan komma emot något föremål vid spetsen av svärdet.
- ◆ Sågningen får inte påbörjas förrän kedjan går med full fart.
- ◆ Försök inte att såga i en gammal skåra. Börja alltid med en ny skåra.
- ◆ Se upp för korsande grenar eller annat som kan stoppa sågningen och nypa fast eller falla ned på sågkedjan.
- ◆ Försök inte att såga av en gren vars diameter är större än längden på verktygets sågande del.
- ◆ Placera alltid sågkedjans kåpa över sågkedjan när du förvarar eller transporterar verktyget.
- ◆ Se till att kedjan är välslipad och korrekt spänd. Kontrollera kedjespänningen regelbundet.
- ◆ Stäng av verktyget, koppla bort strömförsörjningen, låt sågkedjan stanna innan du utför någon justering, service eller underhåll.
- ◆ Använd endast originalreservdelar och -tillbehör.
- ◆ Håll handtagen torra, rena och fria från olja och fett. Feta och oljiga handtag är hala och gör sågen okontrollerbar.
- ◆ Barkstödet kan bli vasst under produktens livslängd. Var försiktig med det. Hantera det försiktigt.
- ◆ Svärdet kan bli varmt när produkten används. Var försiktig med det.

Orsaker till kast och hur man förebygger dessa

Kast kan uppstå när nosen eller spetsen av svärdet vidrör ett föremål, eller när träet stänger in och klämmer sågkedjan i snittet.

Spetskontakt kan i vissa fall orsaka en plötslig omvänd reaktion så att svärdet slås uppåt och bakåt mot användaren. Om kedjan nyps längs svärdets översida kan svärdet hastigt slungas bakåt mot användaren.

Båda dessa reaktioner kan få dig att tappa kontrollen över sågen, vilket kan leda till allvarlig personskada. Förlita dig inte enbart på sågens inbyggda säkerhetsanordningar. Du bör vidta flera skyddsåtgärder för att undvika olyckshändelser och skador när du använder sågen.

Kast uppstår till följd av felaktig användning och/eller hantering av sågen. Detta kan undvikas genom de skyddsåtgärder som beskrivs nedan:

- ◆ **Se till att du har ett fast grepp med tummarna och fingrarna ordentligt omslutna om handtagen. Håll sågen med båda händerna och inta en kropps- och armställning så att du kan stå emot kraften från eventuella kast.** Kraften i rekyl kan bemästras av användaren om nödvändiga skyddsåtgärder vidtagits. Släpp inte sågen.
- ◆ **Sträck dig inte för långt och såga aldrig ovanför axelhöjd.** Det minskar risken för oavsiktlig spetskontakt och ger dig bättre kontroll över sågen i oväntade situationer.
- ◆ **Använd endast av tillverkaren angivna svärd och kedjor vid byte.** Byte till fel svärd eller kedja kan medföra att sågkedjan går av eller att kast uppstår.
- ◆ **Följ tillverkarens anvisningar för slipning och underhåll av kedjan.** Minskning av riktskårets djup kan medföra ökad rekyl.

Säkerhetsrekommendationer för motorsågen

- ◆ Vi rekommenderar starkt att ovana användare får praktiska instruktioner från en erfaren användare om hur sågen och skyddsutrustningen ska användas. Den inledande övningen bör vara att såga ved på en sågbock eller i en hållare.
- ◆ Vi rekommenderar att sågkedjan är riktad bakåt när du bär motorsågen.
- ◆ Sköt om motorsågen när den inte är i bruk. Lägg inte undan sågen under längre tid utan att först ta bort kedjan och svärdet, som bör förvaras i olja. Förvara sågens delar på ett torrt och säkert ställe, utom räckhåll för barn.
- ◆ Placera alltid sladden så att den inte fastnar i grenar eller liknande under sågning
- ◆ Vi rekommenderar att du tömmer oljebehållaren innan sågen läggs i förvar.
- ◆ Se till att du har ordentligt fotfäste och förbered en flyktväg från fallande träd eller grenar.
- ◆ Använd kilar för att få kontroll över fällningen och för att undvika att svärdet och sågkedjan kläms fast i skåran.
- ◆ Skötsel av kedjan. Kedjan skall vara vass och tätt spänd mot svärdet. Se till att kedjan och svärdet är rena och väl inoljade. Håll handtagen torra, rena och fria från olja och fett.

Kast kan orsakas av:

- ◆ Att man oavsiktligt slår i grenar och andra föremål medan kedjan är i rörelse.
- ◆ Att man stöter på metall, cement eller annat hårt material i närheten av eller inuti träet.
- ◆ Att sågkedjan är slö eller lös.
- ◆ Att man arbetar ovanför axelhöjd.
- ◆ Bristande uppmärksamhet medan man håller eller styr sågen under arbete.
- ◆ Att man sträcker sig för långt. Se till att du alltid har säker fotfäste och balans och inte sträcker dig för långt.
- ◆ För inte in sågen i en gammal skåra. Det kan orsaka kast. Börja alltid med ett nytt skär.
- ◆ Vi rekommenderar starkt att du inte använder motorsågen när du befinner dig uppe i ett träd, på en stege eller på något annat ostadigt underlag. Om du ändå använder sågen under dessa omständigheter, vill vi påpeka att det är mycket farligt.
- ◆ När du kapar en spänd gren, måste du vara beredd på att den kan fjädra upp och träffa dig när spänningen släpper.

Undvik att såga i:

- ◆ Förbehandlat timmer.
- ◆ Marken.
- ◆ Trädstängsel, spik o.s.v.
- ◆ I små buskar och unga träd eftersom tunna grenar kan fastna i kedjan och slå tillbaka mot dig eller få dig att tappa balansen.
- ◆ Använd inte motorsågen ovanför axelhöjd.
- ◆ Se till att ha någon i närheten (på säkert avstånd) i händelse av olycka.
- ◆ Om du av någon anledning måste röra kedjan, se först till att sågen inte är ansluten till eluttaget.
- ◆ Detta verktyg kan nå en bullernivå över 80 dB(A). Vi rekommenderar därför att du vidtar lämpliga åtgärder för att skydda din hörsel.

Återstående risker

Ytterligare risker som inte finns med i de bifogade säkerhetsanvisningarna kan uppstå när verktyget används. Dessa risker kan uppstå vid felaktig eller långvarig användning, etc.

Även om alla relevanta säkerhetsanvisningar följs och säkerhetsanordningar används kan vissa ytterligare risker inte undvikas. Dessa omfattar:

- ◆ Skador orsakade av att roterande/rörliga delar vidrörs.
- ◆ Skador som uppstår vid byte av delar, blad eller tillbehör.
- ◆ Skador som orsakas av långvarig användning av ett verktyg. Se till att regelbundet ta vilopauser när du använder ett verktyg under en längre period.
- ◆ Hörselnedsättning.

- ◆ Hälsorisker orsakade av inandning av damm när verktyget används (exempel: arbete med trä, särskilt ek, bok och MDF)

Vibrationer

De vibrationsvärden och de deklarerade bullervärden som anges i avsnitten Tekniska data och förklaringen om överensstämmelse har uppmätts i enlighet med en standardtestmetod föreskriven i EN 62841 och kan användas för jämförelse med andra verktyg. De deklarerade vibrationsvärdena och de angivna bullervärdena kan även användas för en preliminär bedömning av exponeringen.

Varning! Vibrationsvärdet och bullervärdet under faktisk användning av elverktyget kan skilja sig från det deklarerade värdet, beroende på hur verktyget används. Vibrationsnivån kan överstiga den angivna nivån.

Vid uppskattningar av exponering för vibrationer i syfte att bedöma vilka säkerhetsåtgärder som är nödvändiga enligt 2002/44/EG för att skydda personer som regelbundet använder elverktyg i arbetet ska man utgå från de faktiska omständigheter under vilka elverktyget används och sättet på vilket det används. Bedömningen ska även ta hänsyn till alla moment i arbetscykeln, t.ex. när verktyget är avstängt och när det går på tomgång såväl som när det faktiskt används.

Etiketter på verktyget

Följande symboler finns på verktyget tillsammans med datumkoden:



Varning! Läs bruksanvisningen före användning för att minska risken för personskador.



Använd inte sågen i väta och utsätt den inte för regn.



Använd alltid skydd för huvud, hörsel och ögon.



Bär alltid skyddshandskar.



Bär alltid halkfria säkerhetsskor.



Håll alltid motorsågen ordentligt med båda händerna.



Använd inte motorsåg med en hand.



Var uppmärksam på motorsågskast och undvik kontakt med svärdspetsen.



Se upp för fallande föremål. Håll åskådare på avstånd



Varning! Rör inte sågkedjan vid spånukastet



Sågkedjans rotationsriktning.



Dra omedelbart ur sladden om den skadas eller sågas av.



Direktiv 2000/14/EG garanterad ljudeffekt.



Direktiv 2000/14/EG garanterad ljudeffekt.



Direktiv 2000/14/EG garanterad ljudeffekt.

Elsäkerhet



Eftersom verktyget är dubbelisolerat behövs ingen jordledare. Kontrollera alltid att spänningen på nätet motsvarar den spänning som finns angiven på märkplattan.

- ◆ Om nätsladden är skadad måste den bytas ut av tillverkaren eller en auktoriserad BLACK+DECKER-verkstad för att undvika farliga situationer.

Använda förlängningssladd

- ◆ Använd alltid en godkänd förlängningssladd som klarar verktygets ineffekt (se Tekniska data). Förlängningssladden måste vara lämplig för utomhusbruk och märkt därefter. Det går att använda en 2 × 1,5 mm² HO7RN-F-förlängningssladd som är upp till 30 m lång utan spänningsförlust. Innan du använder sladden kontrollerar du att den inte är skadad, sliten eller utnött. Byt ut förlängningssladden om den är skadad eller defekt. Om du använder en sladdvinda, linda alltid av sladden fullständigt.

Spänningsfall

- ◆ Under vissa driftförhållanden kan verktyget orsaka kortvariga spänningsfall när det slås på.
- ◆ Andra enheter kan påverkas. Till exempel kan ljusstyrkan hos elektriska lampor minska tillfälligt.
- ◆ Kontakta vid behov elleverantören för att avgöra om strömkällans impedans är lägre än 0.159 ohm. Under dessa förhållanden är det ovanligt att störningar förekommer.

Skydda Dig mot elektriska stötar

- ◆ Undvik kroppskontakt med jordade ytor (t.ex. metallräcken, lyktstolpar m.m.).
- ◆ Elsäkerheten kan förbättras ytterligare om en jordfelsbrytare med hög känslighet (30 mA) används.



Varning! Även om jordfelsbrytare används, ansvarar användaren av sågen för att säkerhets- och hanteringsanvisningarna i den här handboken följs.

Egenskaper

1. Strömbrytare
2. Läsknapp (visas inte)
3. Främre handskydd
4. Svärd
5. Sågkedja
6. Sågkedjeskydd
7. Justeringsratt för kedjespänning
8. Svärdjusteringsläsrratt
9. Svärdskydd
10. Nätkabel
11. Hållare för nätsladd
12. Oljelock
13. Indikator för oljenivå
14. Barkstöd

Montering



Varning! Använd alltid skyddshandskar när du hanterar sågen.



Varning! Innan något monterings- eller underhållsarbete utförs på ett elverktyg måste det stängas av och kopplas bort från elnätet.



Varning! Ta bort kabelfästet som förbinder sågkedjan med svärdet innan du börjar montera.

Smörjning av sågkedjan

Detta måste alltid göras innan du använder en ny kedja (5) för första gången. Lägg den nya sågkedjan (5) i blöt i sågkedjeolja i minst en timme innan den används.

Använd sågkedjeolja från BLACK+DECKER.

Vi rekommenderar att du alltid använder olja från BLACK+DECKER under motorsågens hela livslängd eftersom en blandning av oljor kan ge oljan försämrade egenskaper, vilket i sin tur kan förkorta kedjans livslängd avsevärt och framkalla ytterligare risker.

Använd aldrig spillolja, tjockolja eller mycket tunn (symaskins-) olja. Det kan skada motorsågen.

Montera svärd och sågkedja. (fig. A - G)

- ◆ Lägg sågen på ett stadigt underlag.
- ◆ Vrid inställningsläsrratten (8) moturs såsom visas i bild A för att ta bort kedjekranslocket (6).
- ◆ Använd skyddshandskar, ta tag i sågkedjan (5) och linda den runt svärdet (4), se till att tänderna är riktade i rätt riktning (se figur G).
- ◆ Se till att sågkedjan är korrekt insatt i öppningen runt hela svärdet.
- ◆ Placera sågkedjan runt kedjehjulet (16) samtidigt som spåret i svärdet är i linje med bulten (17) i verktygets bas och sågkedjans spännstift (18) som visas i figur B.

Observera: Du kan behöva justera positionen för sågkedjespänningsstiftet (18) för att det ska gå i ordentligt med spåret i svärdet genom att rotera sågkedjans spännhjul (7).

- ◆ När det väl är på plats, vrid sågkedjans spännhjul (7) för hand för att preliminärt dra åt enheten och hålla den på plats.
- ◆ Håll svärdet stilla och sätt tillbaka kedjekransens lock (6). Se till att fiiken (19) på locket är i linje med skåran (20) i huvudhöljet som visas i figur C. Vrid läsvredet (8) medurs tills det sitter åt, lossa sedan knappen (8) ett helt varv , så att sågkedjan kan spännas ordentligt.
- ◆ Följ instruktionerna för "Justera sågkedjans spänning" i nästa avsnitt.

Justera kedjespänningen

Varning! Vass sågkedja. Använd alltid skyddshandskar när sågkedjan hanteras. Kedjan är vass och du kan skära dig även när den inte är i rörelse.

Varning! Vass sågkedja i rörelse. För att förhindra oavsiktlig drift, se till att verktyget är borttaget från strömförsörjningen innan någon av följande handlingar utförs. Om inte ovanstående rekommendationer följs kan det leda till allvariga personskador.

- ◆ Kontrollera kedjespänningen (5) med sågen liggande på en plan yta. Kedjan är rätt spänd när den snäpper tillbaka efter att du dragit ut den 3mm från svärdet med lätt kraft med långfingret och tummen (4) visas i figur D.
- ◆ För att justera sågkedjespänningen, lossa svärdets justeringsläsrratt (8), vrid sågkedjespänningshjulet (7) mot toppen av sågen för att öka spänningen som visas i figur E.

Dra åt svärdets justeringsläsrratt tills det sitter åtsittande efter att du har kontrollerat sågkedjan (5) sitter tätt runt svärdet (4).

- ◆ På undersidan ska det inte vara något "häng" mellan svärdet och sågkedjan som visas i F.
- ◆ När sågkedjespänningen är korrekt, dra åt svärdinställningens läsrratt.
- ◆ Spänn inte sågkedjan för hårt eftersom det ökar slitaget och minskar svärdets och sågkedjans livslängd.
- ◆ När sågkedjan är ny skall spänningen kontrolleras ofta (efter att strömförsörjningen tagits bort) under de första 2 timmarnas användning eftersom en ny kedja tänjer ut sig något.

Byte av sågkedjan

Varning! Vass sågkedja. Använd alltid skyddshandskar när sågkedjan hanteras. Kedjan är vass och du kan skära dig även när den inte är i rörelse.

Varning! Vass sågkedja i rörelse. För att förhindra oavsiktlig drift, se till att verktyget är borttaget från strömförsörjningen innan någon av följande handlingar utförs. Om inte ovanstående rekommendationer följs kan det leda till allvarliga personskador.

- ◆ Vrid svärdets justeringsläs (8) moturs för att minska sågkedjans spänning.
- ◆ Ta bort kedjekranslocket (6) såsom beskrivs i sektionen Installera svärdet och sågkedjan.
- ◆ Lyft bort den slitna kedjan (5) från spåret i svärdet (4).
- ◆ Placera den nya kedjan över svärdet och se till att kedjeskären är riktade åt rätt håll genom att jämföra pilen på kedjan med bilden på kedjekranslocket (6) såsom visas i bild G.
- ◆ Följ tidigare instruktioner för att installera svärdet och sågkedjan och justera sågkedjespänningen.

Automatiskt oljesystem

Den här motorsågen har ett automatiskt smörjsystem som håller kedjan och svärdet konstant smorda.

Oljenivåindikatorn (13) visar nivån på oljan i motorsågen. Om oljenivån är mindre är kvartsfull, koppla bort strömförsörjningen från motorsågen och fyll på med korrekt typ av olja.

Observera: Använd alltid svärd- och sågkedjeolja av hög kvalitet för korrekt smörjning av svärd och kedja. Som ett tillfälligt substitut kan en icke-rengörande SAE30 motorolja användas. Användningen av en vegetabilisk olja för svärd och sågkedja rekommenderas vid beskärning av träd. Mineralolja rekommenderas inte eftersom det kan skada trädet. Använd aldrig förbrukad olja eller mycket tjock olja. Det kan skada motorsågen.

Fylla på oljebehållaren

- ◆ Ta bort oljelocket (12) och fyll behållaren med den rekommenderade svärd- och kedjeolja tills oljenivån når överkanten av oljenivåindikatorn (13).
- ◆ Sätt på oljelocket.
- ◆ Stäng av verktyget med jämna mellanrum och kontrollera oljenivåindikatorn för att garantera att svärdet och sågkedjan smörjs ordentligt.

Fäst förlängningssladden

En förlängningssladdhållare (11) är inbyggd i handtaget. Det förhindrar att förlängningssladden kopplas ur.

- ◆ Dubbla förlängningssladden och för in den i skåran (21) i änden av handtagsområdet som visas i figur H. Haka fast öglan som bildas genom att dubbla sladden över sladdhållaren (11). Dra försiktigt i sladden för att garantera att den sitter fast i handtaget. Koppla in hållarändan av förlängningssladden i strömsladden (12) på motorsågen.

Transport av såg

- ◆ Täck alltid svärdet (4) med svärdskyddet (9) (figur J) när du transporterar sågen.
- ◆ När enheten inte används ska det främre handskyddet (3) skjutas framåt vilket isolerar enheten. Användaren ska inte flytta sig någonstans med detta aktiverat.

Användning av motorsågen

Varning! Läs och förstå alla instruktioner. Underlåtenhet att följa samtliga nedanstående instruktioner kan resultera i elstötar, brand och / eller allvarliga personskador.

Slå på och stänga av

- ◆ För att slå på verktyget dra tillbaka låsknappen (2) med tummen och tryck sedan på avtryckaren (1) med fingrarna såsom visas i bild H. (När verktyget är igång kan du släppa låsknappen.)
- ◆ För att stänga av verktyget, släpp avtryckaren.

Observera: Det går inte att starta verktyget om kdefrämre handskyddet (3) inte är i "inställt" läge.

Hur man ställer in det främre handskyddet

- ◆ Se till att verktyget inte är anslutet till eluttaget.
- ◆ Dra frontheadtaget (3) tillbaka till "inställt" läge.
- ◆ Verktyget är nu klart för användning.

Hur det främre handskyddet fungerar

I händelse av kast kommer din vänstra hand i beröring med det främre handskyddet (3) och stöter det framåt mot arbetsstycket, varvid verktyget stannar inom några bråkdelar av en sekund.

Trädfällning (fig. K,L och M)

Oerfarna användare skall inte försöka sig på trädfällning.

Användaren kan skada sig själv eller orsaka skada på egendom till följd av misslyckad fallriktningskontroll. Trädet kan klyvas, och skadade eller döda grenar kan falla under sågningen:

Säkerhetsavståndet mellan ett träd som ska fällas och personer i närheten, byggnader och andra föremål är minst 2.5 gånger trädets höjd. Personer i närheten, byggnader eller föremål som befinner sig inom säkerhetsavståndet löper risk att träffas av det fallande trädet.

Innan du fäller ett träd:

- ◆ Ta reda på vad som gäller enligt lokala bestämmelser beträffande trädfällning.
- ◆ Ta hänsyn till alla förhållanden som kan påverka fallriktningen, bland annat:
 - ◆ Den tänkta fallriktningen.
 - ◆ Trädets naturliga lutning:
 - ◆ Alla ovanligt kraftiga eller murkna grenar.
 - ◆ Kringstående träd och hinder, bland annat luftledningar.
 - ◆ Vindhastighet och -riktning.

Se i förväg ut en nödutväg bort från nedfallande träd eller grenar.

Se till att utvägen är fri från sådant som kan hindra din förflyttning. Tänk på att vått gräs och nyskalad bark är halt.

- ◆ Försök inte fälla träd vars diameter är större än längden på sågens:
- ◆ Gör en riktskåra för att bestämma fallriktningen.
- ◆ Säg ett vågrätt skär i stammen med ett djup på mellan 1/5 och 1/3 av trädets diameter och i rät vinkel mot falllinjen (fig. K).
- ◆ Säg det andra skäret ovanifrån så att det möter det första, och gör en skåra med ca 45° vinkel.
- ◆ Säg ett vågrätt fällskär från andra sidan 25-50 mm ovanför riktskårans mittpunkt. (fig. L). Säg inte igenom till riktskåran, eftersom du då kan förlora kontrollen över fallriktningen.
- ◆ Kör in en eller flera kilar i det sista skäret för att vidga det och fälla trädet (fig. M).

Beskära träd

Ta reda på vad som gäller enligt lokala bestämmelser beträffande beskärning av träd. Beskärning bör endast utföras av erfarna användare eftersom det föreligger ökad risk för att kedjan nyper och orsakar kast.

Innan beskärningen påbörjas bör de omständigheter som påverkar fallriktningen beaktas, t.ex:

- ◆ Längden och vikten på grenen som skall beskåras.
- ◆ Alla ovanligt kraftiga eller murkna grenar.
- ◆ Kringstående träd och hinder, även ovanför marken.
- ◆ Vindhastighet och -riktning:
- ◆ Om grenen är infliad med andra grenar.

Användaren måste beakta åtkomsten till grenen och fallriktningen. Trädgrenarna kan röra sig mot trädstammen. Utöver användaren löper även omkringstående personer, föremål och egendom nedanför grenen risk att träffas.

- ◆ För att undvika flisor görs det första skäret i riktning uppåt och med ett djup på högst 1/3 av grenens diameter.
- ◆ Det andra skäret görs nedåt så att det möter det första.

Kapning (fig. N, O & P)

Hur du ska kapa beror på vad stocken vilar på. Om möjligt, använd sågbock.

Börja alltid säga med kedjan i gång och med barkstödet (22) liggande mot stocken (fig. N).

Avsluta skäret med en vridrörelse med barkstödet mot stocken.

Om stocken vilar på stöd utmed hela sin längd:

- ◆ Gör ett nedåtriktat skär, men undvik att säga i marken eftersom sågen då snabbt förlorar skärpa.

Om stocken vilar på stöd i bägge ändrar:

- ◆ Gör först ett skär nedåt en tredjedel för att undvika klyvning, och sedan ett skär uppåt som möter det första.

Om stocken vilar på stöd i ena änden:

- ◆ Gör först ett skär uppåt en tredjedel för att undvika klyvning, och sedan ett skär nedåt.

Med stocken lutande:

- ◆ Stå alltid vid den övre änden.

Om du kapar en stock som ligger på marken (fig. O)

- ◆ Se till att hålla arbetsstycket på plats med skruvstycken eller kilar. Försök inte hålla stocken på plats genom att du själv eller någon annan sitter på den. Se till att sågkedjan inte kommer i kontakt med marken.

Om du använder sågbock (fig. P):

Om möjligt är detta det bästa sättet.

- ◆ Lägg stocken stadigt. Säg alltid utanför bockens ben. Använd tvingar eller remmar för att hålla stocken på plats.

Kvistning (fig. Q)

Ta bort grenar från ett fällt träd. Lämna större kvistar på trädets nederdel som stöd för stocken. Avlägsna de små kvistarna i ett skär. Spända grenar bör skåras av från grenens nedersta del mot toppen för att undvika att motorsågen fastnar. Beskär kvistar från motsatt sida så att trädstammen befinner sig mellan dig och sågen. Gör aldrig kapningar mellan dina ben eller grensla kvisten som ska kapas.

Felsökning

Problem	Möjlig orsak	Möjlig lösning
Verktyget startar inte	Du har inte tryckt på låsknappen.	Tryck på låsknappen.
	Det främre handskyddet befinner sig i bromsläget	Återställ det främre handskyddet
	Säkring trasig	Byt säkring
	Jordfelsbrytare utlöst	Kontrollera jordfelsbrytare
	Nätkabeln är inte ansluten	Kontrollera nätanslutningen.
Sågkedjan stannar inte inom två sekunder när verktyget stängs av	Sågkedjan är inte ordentligt spänd	Justera sågkedjespänningen
Svärdet/sågkedjan verkar vara het eller ryker	Oljetanken är tom	Kontrollera nivån i oljetanken
	Oljehålet är blockerat på svärdet	Rengör oljehålen och rensa spåren kring svärdets kant.
	Sågkedjan är för spänd	Justera sågkedjespänningen
	Svärdets kedjedrev måste smörjas	Smörj svärdets kedjedrev
Motorsågen skär inte ordentligt	Sågkedjan på bak och fram	Kontrollera/ändra sågkedjans riktning
	Sågkedjan är slö	Slipa eller byt ut sågkedkan
Motorsågen förbrukar ingen olja	Skräp i tanken	Töm tanken på olja och fyll på med ny olja
	Oljehålet i locket är blockerat	Avlägsna allt skräp från hålet
	Skräp på svärdet	Ta bort skräp och rengör svärdet
	Skräp i oljekanalerna	Avlägsna skräpet

Underhåll

Regelbundet underhåll ger verktyget en lång, effektiv livslängd. Vi rekommenderar att du regelbundet utför följande kontroller.

Varning! Innan något underhåll utförs på elektriska redskap:

- ◆ Stäng av och koppla bort verktyget från elnätet.

Oljenivå

Nivån i behållaren bör aldrig understiga en fjärdedel.

Kedja och svärd (fig. F)

- ◆ Efter några timmars användning samt innan förvaring av redskapet skall svärdet (4) och kedjan (5) tas av och rengöras grundligt.
- ◆ Se till att skyddet är rent och fritt från skräp.

Varning! Dra inte åt för hårt.

- ◆ Olja kedjedrevet via smörjhålet för att säkerställa jämn förslitning runt svärdet.

Slipning av kedjan

För att verktyget skall fungera så bra som möjligt är det viktigt att hålla sågtänderna vassa.

Byte av utslitna sågkedjor

Utbyteskedjor finns hos återförsäljare och BLACK+DECKER-verkstäder. Använd alltid originaldelar.

Byte av sågkedja:

BECS1835 35 cm kedja A6235CS

BECS2040 40 cm kedja A6240CS

BECS2245 45 cm kedja A6245CS

Kedjans skärpa

Sågtänderna blir genast slöa om de kommer i kontakt med marken eller en spik under sågning.

Kedjespänning

Kontrollera kedjespänningen regelbundet.

Om motorsågen behöver repareras.

Din motorsåg har tillverkats i enlighet med alla relevanta säkerhetskrav. Reparationer skall utföras av kvalificerade personer som använder originaldelar, annars kan användaren utsättas för stor fara. Behåll den här bruksanvisningen och förvara den så att den inte kommer bort.

Byte av elkontakten (endast Storbritannien. & Irland)

Om en ny elkontakt måste installeras:

- ◆ Kasta den gamla kontakten på ett säkert sätt.
- ◆ Anslut den bruna ledningen till den strömförande anslutningen i den nya kontakten.
- ◆ Anslut den blå ledaren till nolluttaget.

Varning! Ingenting bör kopplas till jordanslutningen. Följ de monteringsanvisningar som följer med kontakter av god kvalitet. Rekommenderad säkring: 10 A.

Miljöskydd



Separat insamling. Produkter och batterier som är markerade med denna symbol får inte kastas in de vanliga hushållssoporna

Produkter och batterier innehåller material som kan återanvändas eller återvinnas för att minska behovet av råmaterial.

Återvinn elektriska produkter och batterier enligt lokala bestämmelser. Närmare information finns tillgänglig på www.2helpU.com

Tekniska data

		BECS1835 typ 1	BECS2040 typ 1	BECS2245 typ 1
Spänning	V_{ac}	230 V	230 V	230 V
Svärdlängd	cm	35	40	46
Max. svärdlängd	mm	419	459	511
Sågkedjehastighet (utan belastning)	m/ sm	14,5	14,5	14,5
Max. skärlängd	mm	319	368	407
Oljekapacitet	ml	170	170	170
vikt (utan sågkedja, svärd, olja)	kg	4,1	4,1	4,3

BECS1835 Bullervärde uppmätt enligt EN62841:

LpA (ljudtryck) 99 dB(A), osäkerhet (K) 3 dB(A) LwA (ljudeffekt) 109 dB(A), osäkerhet (K) 1,6 dB(A)

BECS1835 Vibration totalvärde (triaxvektor-summa) enligt EN 602841:

Vibrationsvärde (a_{Hr}) = 3,8 m/s², osäkerhet (K) = 1,5 m/s²

BECS2040 Bullervärde uppmätt enligt EN62841:

LpA (ljudtryck) 100 dB(A), osäkerhet (K) 3 dB(A) LwA (ljudeffekt) 110 dB(A), osäkerhet (K) 1,8 dB(A)

BECS2040 Vibration totalvärde (triaxvektor-summa) enligt EN 602841:

Vibrationsvärde (a_{Hr}) = 5,2 m/s², osäkerhet (K) = 1,5 m/s²

BECS2245 Bullervärde uppmätt enligt EN62841:

LpA (ljudtryck) 98 dB(A), osäkerhet (K) 3 dB(A) LwA (ljudeffekt) 108 dB(A), osäkerhet (K) 1,6 dB(A)

BECS2245 Vibration totalvärde (triaxvektor-summa) enligt EN 602841:

Vibrationsvärde (a_{Hr}) = 4,1 m/s², osäkerhet (K) = 1,5 m/s²

EG-försäkran om överensstämmelse MASKINDIREKTIVET



BECS1835, BECS2040, BECS2245 motorsåg
Black & Decker garanterar att produkterna som beskrivs under
"Tekniska data" uppfyller: 2006/42/EG
EN 62841-1:2015+A11:2022, EN 62841-4-1:2020
2000/14/EG, bilaga V

BECS2040: LWA (uppmätt ljudeffektnivå) 110 dB(A),
osäkerhet (K) = 1,8 dB(A),

LWA (garanterad ljudnivå) 112 dB(A)

BECS1835: Uppmätt ljudeffektnivå LWA: 109 dB(A). K = 1,6
dB(A).

Garanterad ljudeffekt LWA: 111 dB(A).

BECS2245 : Uppmätt ljudeffektnivå LWA: 108 dB(A). K = 1,6
dB(A).

Garanterad ljudeffekt LWA: 110 dB(A)

Dessa produkter uppfyller dessutom direktiven
2014/30/EU och 2011/65/EU.

Mer information får du genom att kontakta Black & Decker på
följande adress, eller se handbokens baksida.

Undertecknad är ansvarig för sammanställning av den
tekniska filen och gör denna förklaring på Black & Deckers
vägnar.

Patrick Diepenbach

Patrick Diepenbach
General Manager, Benelux
Black & Decker,
Egide Walschaertsstraat 14-18
2800 Mechelen, Belgien
17/02/2023

Garanti

Black & Decker är övertygad om sina produkters kvalitet och
beviljar konsumenterna 24 månaders garanti* från och med
inköpsdatumet.

Denna garanti är ett tillägg till dina lagstadgade rättigheter och
påverkar inte dessa på något sätt.

Garantin är giltig i områden som tillhör medlemsstaterna i
Europeiska unionen och det europeiska frihandelsområdet
och i Storbritannien.

För yrkande under garantin måste yrkandet vara in enlighet
med Black & Deckers villkor och du kommer att behöva skicka
in bevis på köpet till försäljaren eller en auktoriserad reparatör.

Villkoren för Black & Deckers tvååriga garanti och var du
hittar din närmaste auktoriserade reparatör kan erhållas på
internet på www.2helpU.com, eller genom att kontakta ditt
lokal Black & Decker kontor på adressen som angetts i denna
bruksanvisning.

Besök vår webbplats www.blackanddecker.se för att registrera
din nya BLACK & DECKER-produkt samt för att få information
om nya produkter och specialerbjudanden.

Tiltenkt bruk

Denne BLACK+DECKER™ BECS1835, BECS2040, BECS2245 motorsagen er designet for felling av trær og kutting av tømmer. Verktøyet er beregnet bare som konsumentverktøy.

Sikkerhetsinstruksjoner

Generelle sikkerhetsadvarsler for elektriske verktøy



Advarsel! Les alle sikkerhetsanvisninger, instruksjoner, illustrasjoner og spesifikasjoner som følger dette elektriske verktøyet.

Manglende overholdelse av instruksjonene som er listet opp under kan resultere i elektrosjokk, lid og/eller alvorlig skade.

Lagre alle advarsler og instruksjoner for fremtidig bruk.

Uttrykket "elektrisk verktøy" i advarslene henviser til ditt strømdrevne (med ledning) elektriske verktøy eller ditt batteridrevne (uten ledning) elektriske verktøy.

1. Sikkerhet i arbeidsområdet

- Hold arbeidsområdet rent og godt opplyst.** Rotete eller mørke områder er en invitasjon til ulykker.
- Ikke arbeid med elektroverktøy i eksplosjonsfarlige omgivelser, for eksempel der det finnes seg brennbare væsker, gass eller støv.** Elektrisk verktøy skaper gnister som kan antenne støv eller gasser.
- Hold barn og andre personer unna når du bruker et elektroverktøy.** Distraksjoner kan føre til at du mister kontrollen.

2. Elektrisk sikkerhet

- Støpselet til verktøyet må passe til stikkkontakten. Aldri modifier støpselet på noen måte. Ikke bruk adapterstøpsler til jordede elektriske verktøy.** Umodifiserte støpsler og stikkontakter som passer vil redusere risikoen for elektrisk støt.
- Unngå kroppskontakt med jordede overflater som rør, radiatorer, komfyrer og kjøleskap.** Det er økt risiko for elektrisk støt dersom kroppen din er jordat.
- Ikke utsett elektroverktøy for regn eller fuktighet.** Dersom det kommer vann inn i et elektrisk verktøy vil det øke risikoen for elektrisk støt.
- Unngå uforvarlig behandling av ledningen. Aldri bruk ledningen til å bære, trekke eller dra ut støpselet til det elektriske verktøyet. Hold ledningen borte fra varme, olje, skarpe kanter eller bevegelige deler.** Skadede eller sammenviklede ledninger øker risikoen for elektrisk støt.
- Når du bruker et elektroverktøy utendørs, må du bruke en skjøteledning som er egnet til utendørs bruk.** Bruk av en skjøteledning beregnet for utendørs bruk reduserer risikoen for elektrisk støt.

- Hvis du ikke kan unngå å bruke elektroverktøy på et fuktig sted, må du bruke en strømforsyning som er beskyttet med jordfeilbryter (RCD).** Bruk av jordfeilbryter (RCD) reduserer risikoen for elektrisk støt.

3. Personlig sikkerhet

- Vær oppmerksom, pass på hva du gjør, og vis fornuft når du arbeider med et elektroverktøy. Ikke bruk et elektrisk verktøy dersom du er trøtt eller er påvirket av medikamenter, narkotika eller alkohol.** Ett øyeblikks uoppmerksomhet under bruk av elektriske verktøy kan føre til alvorlig personskade.
- Bruk personlig verneutstyr. Bruk alltid vernebriller.** Verneutstyr slik som støvmaske, sklisikre vernesko, hjelm, eller hørselsvern brukt under passende forhold vil redusere personskader.
- Forhindre utilsiktet start. Kontroller at bryteren står i posisjon «av» før du kobler til strømkilden og/eller batteripakken, og før du tar opp eller bærer verktøyet.** Å bære elektriske verktøy med fingeren på bryteren eller å sette inn støpselet mens elektriske verktøy har bryteren på øker faren for ulykker.
- Fjern eventuelt innstillingsverktøy eller skruverktøy før du slår på elektroverktøyet.** Et skruverktøy eller en nøkkel som fortsatt er festet til en roterende del av elektroverktøyet, kan føre til personskade.
- Ikke strekk deg for langt. Ha godt fotfeste og stå støtt hele tiden.** Dette fører til at du har bedre kontroll over det elektriske verktøyet ved uventede situasjoner.
- Bruk egnede klær. Ikke ha på deg løstsittende klær eller smykker. Hold hår, antrekk og hanser borte fra bevegelige deler.** Løstsittende klær, smykker og langt hår kan bli fanget opp av bevegelige deler.
- Hvis det kan monteres støvavsug- og oppsamlingsinnretninger, må du forvise deg om at disse er tilkoblet og brukes på riktig måte.** Bruk av støvoppsamlere kan redusere støvrelaterte farer.
- Ikke la erfaring med hyppig bruk av verktøy la deg bli likegyldig og ignorere verktøyet sikkerhetsregler.** En uforsiktig handling kan føre til alvorlig personskade på brøkdelen av et sekund.

4. Bruk og stell av elektriske verktøy

- Ikke bruk makt på elektroverktøyet. Bruk det elektriske verktøyet som situasjonen krever.** Det riktige elektriske verktøyet vil gjøre jobben bedre og tryggere ved den hastigheten det ble konstruert for.
- Ikke bruk elektroverktøyet hvis du ikke kan slå det på og av med bryteren.** Ethvert elektrisk verktøy som ikke kan kontrolleres med bryteren er farlig og må repareres.

- c. **Trek støpselet ut av stikkkontakten og/eller koble fra batteripakken på elektroverktøyet før du utfører innstillinger, bytter tilbehør eller legger elektroverktøyet bort for lagring.** Slike preventive sikkerhetsforanstaltninger reduserer risikoen for å starte det elektriske verktøyet ved et uhell.
- d. **Elektroverktøy som ikke er i bruk, må oppbevares utilgjengelig for barn. Ikke la verktøyet bli brukt av personer som ikke er fortlrolige med det, eller som ikke kjenner disse instruksjonene.**
Elektriske verktøy er farlige i hendene på utrenede brukere.
- e. **Sørg for vedlikehold av elektroverktøy. Undersøk om bevegelige deler er feiljustert eller blokkert, om deler er skadet, og om det er andre forhold som kan påvirke elektroverktøyets funksjon. Dersom det er skadet, få verktøyet reparert før neste bruk.** Mange ulykker forårsakes av dårlig vedlikeholdte verktøy.
- f. **Hold skjæreverktøy skarpe og rene.** Godt vedlikeholdte skjæreverktøy med skarpe skjærekanter setter seg mindre sannsynlig fast og er lettere å kontrollere.
- g. **Bruk elektroverktøy, tilbehør, bor osv. i henhold til disse instruksjonene. Ta hensyn til arbeidsforholdene og arbeidet som skal utføres.** Bruk av det elektriske verktøyet for oppgaver som er forskjellige fra de som er tiltenkt kan føre til en farlig situasjon.
- h. **Hold håndtakene og gripeflatene tørre, rene og frie for olje og fett.** Glatte håndtak og gripeflater forhindrer trygg håndtering og kontroll av verktøyet i uventede situasjoner.

5. Service

- a. **Elektroverktøyet skal repareres av kvalifisert personell og bare med originale reservedeler.** Dette vil sikre at verktøyets sikkerhet blir ivaretatt.

Generelle sikkerhetsadvarsler for motorsager



Advarsel! Ytterligere sikkerhetsadvarsler for motorsager

- ◆ **Hold alle deler av kroppen unna kjedet mens saken er i bruk. Før du starter motorsagen, må du passe på at sagkjedet ikke er i kontakt med noe.** Et øyeblikks uoppmerksomhet under bruk av motorsagen kan føre til at klesplagg eller kroppsdelene vikles inn i eller på annen måte kommer i utilsikket kontakt med motorsagen.
- ◆ **Hold alltid motorsagen med høyre hånd på bakre håndtak og venstre hånd på fremre håndtak.** Hvis saken holdes på en motsatt måte, øker risikoen for personskade. Hold derfor alltid motorsagen som anbefalt.
- ◆ **Hold motorsagen bare i de isolerte gripeflatene, fordi motorsagen kan komme i kontakt med skjulte ledninger.**

Hvis motorsager kommer i kontakt med en strømførende ledning, kan frittliggende metalldele på saken bli strømførende, og brukeren kan få elektrisk støt.

- ◆ **Bruk vernebriller. Annet personlig verneutstyr for hørsel, hode, hender, bein og føtter anbefales.** Passende beskyttelsesutstyr vil redusere omfanget av personskade som forårsakes av materiale som slynges gjennom luften, eller uheldig kontakt med sagkjedet.
- ◆ **Du må ikke bruke motorsagen når du er oppe i et tre, på en stige, på taket eller på en annen ustabil støtte.** Betjening av motorsagen på denne måten kan resultere i en alvorlig personskade.
- ◆ **Pass på at du alltid har sikkert fotfeste, og bruk motorsagen kun når du står på et fast, sikkert og plant underlag.** Glatte eller ustabile overflater, for eksempel stiger, kan føre til at man mister balansen og kontrollen over motorsagen.
- ◆ **Når du kutter en gren som står i spenn, må du være oppmerksom på at den kan slå mot deg.** Når spenningen i trefibrene utløses, kan det spente stykket slå operatøren og/eller slå motorsagen ut av kontroll.
- ◆ **Vær svært forsiktig ved kutting av kratt og busker.** Tynt materiale kan bli fanget i sagkjedet og bli slengt mot deg eller rykke deg ut av balanse.
- ◆ **Motorsagen bæres etter fronthåndtaket, og skal være slått av og vendt bort fra kroppen.** Ved transport eller oppbevaring av motorsagen skal dekslet for sverdet alltid være påmontert. Riktig håndtering av motorsagen vil gi redusert sannsynlighet for utilsikket kontakt med sagkjedet i bevegelse.
- ◆ **Følg instruksjonene for smøring, kjedestramming og utskifting av sverdet og kjedet.** Et kjede som ikke er strammet eller smurt på riktig måte, kan gå i stykker eller øke faren for tilbakeslag.
- ◆ **Kutt bare i tre. Ikke bruk motorsagen til oppgaver den ikke er beregnet for. For eksempel: ikke bruk motorsagen til å kutte plast, murverk eller byggematerialer som ikke er av tre.** Bruk av motorsagen til andre formål enn det som er angitt, kan føre til farlige situasjoner.
- ◆ **Ikke prøv å felle et tre før du har forstått risikoene og hvordan du unngår dem.** Alvorlige personskader kan oppstå på operatøren eller tilskuere mens du feller et tre.
- ◆ **Følg alle instruksjonene når du fjerner materiale som sitter fast, lagrer eller ved utføring av service av motorsagen. Sjekk at verktøyet er koblet fra strømforsyningen.** Uventet oppstart av motorsagen når du fjerner materiale som sitter fast eller når du utfører service, kan resultere i alvorlig personskade.
- ◆ **Bruk tetsittende og beskyttende klær og hjelm med visir/vernebriller, hørselvern, sklisikkert fottøy, beskyttende snekkerbukser og kraftige lærhansker.**
- ◆ **Plasser deg alltid slik at du ikke står der grenene faller ned.**

- ◆ Trygg avstand mellom grener som skal kuttes og personer, bygninger og andre gjenstander, er minst 2,5 ganger grenens lengde. Eventuelle personer, bygninger eller gjenstander innenfor denne avstanden risikerer å bli truffet av den fallende grenen.
- ◆ Før felling av trær må du planlegge en sikker vei bort fra det fallende treet eller grenene. Kontroller at det ikke er hindringer i veien som kan føre til at du ikke kommer deg unna. Husk at vått gress og nylig kuttet bark er glatt.
- ◆ Pass på at det er noen andre i nærheten (men på sikker avstand) i tilfelle uhell.
- ◆ Du må ikke bruke verktøyet når du står i et tre, på en stige eller på noen annen ustabil overflate.
- ◆ Ha godt fotfeste og stå støtt hele tiden.
- ◆ Hold verktøyet fast med begge hender når motoren er i gang.
- ◆ Et kjede i bevegelse må ikke komme i kontakt med noen gjenstander ytterst på sverdet.
- ◆ Begynn med kuttingen først når kjedet beveger seg med full hastighet.
- ◆ Ikke forsøk å skjære i et tidligere kutt. Lag alltid et nytt kutt.
- ◆ Se etter bevegelige grener eller andre krefter som kan avbryte en kutting, klemme kjedet eller falle ned på det.
- ◆ Forsøk ikke å kutte en gren med diameter som er større enn verktøyets sagelengde.
- ◆ Sett alltid på beskyttelsen på sagkjedet ved lagring eller transport av verktøyet.
- ◆ Hold sagkjedet skarp og tilstrekkelig stram. Sjøkk strammingen regelmessig.
- ◆ Slå av verktøyet, koble fra strømforsyningen og la sagkjedet stoppe før du foretar noe justering, service eller vedlikehold.
- ◆ Bruk bare originalreservedeler og -tilbehør.
- ◆ Hold håndtakene tørre, rene og fri for olje og fett. Håndtak med fett eller olje er glatte og kan forårsake at du mister kontrollen.
- ◆ Barkstøtten kan bli skarp i produktets levetid. Behandle den med varsomhet. Må håndteres forsiktig.
- ◆ Mens du håndterer produktet, kan sagkjedet bli varmt. Behandle det med varsomhet.

Årsaker til tilbakeslag og hvordan operatøren forhindrer dette

Tilbakeslag kan forekomme når spissen på sverdet kommer i kontakt med en gjenstand, eller når treverket "lukker seg" og kniper fast sagkjedet.

Når spissen kommer i kontakt med en gjenstand, kan det plutselig oppstå en motsatt reaksjon, som fører til at sverdet slås opp og bakover mot operatøren.

Hvis kjedet knipes fast langs øvre kant av sverdet, kan sverdet bli skjøvet fort bakover mot operatøren.

Begge disse reaksjonene kan føre til at du mister kontrollen over motorsagen, slik at det oppstår alvorlig personskade. Ikke stol blindt på motorsagens innebygde sikkerhetsinnretninger. Som bruker er det ditt ansvar å ta nødvendige forholdsregler for å unngå uhell og skader. Tilbakeslag er et resultat av feil bruk av verktøyet og/eller feil brukerprosedyrer eller forhold, og kan unngås ved å ta riktige forholdsregler som forklart under:

- ◆ **Sørg for at du holder godt fast i saken, med tommel og fingrer rundt håndtakene. Hold saken med begge hender, og stå med kroppen og armene slik at du kan motstå tilbakeslagskrefter.** Tilbakeslagskrefter kan beherskes av operatøren hvis riktige forholdsregler tas. Ikke slipp tak i motorsagen.
- ◆ **Ikke strekk deg for langt, og ikke bruk saken over skulderhøyde.** På denne måten kan du unngå utilsiktet kontakt mellom spissen og gjenstander, og få bedre kontroll over motorsagen i uventede situasjoner.
- ◆ **Bruk bare erstatningssverd og sagkjeder som produsenten har angitt.** Bruk av feil erstatningssverd og sagkjeder kan føre til kjedebrydd og/eller tilbakeslag.
- ◆ **Følg produsentens anvisninger for sliping og vedlikehold av sagkjedet.** Lavere dybdemålerhøyde kan føre til mer tilbakeslag.

Anbefalte sikkerhetstiltak for motorsag

- ◆ Vi anbefaler på det sterkeste at personer som bruker motorsag for første gang, får praktisk veiledning i bruk av saken og personlig verneutstyr fra en erfaren bruker. Øvelsen bør bestå i å sage ved på en sagkrakk eller en annen form for holder.
- ◆ Vi anbefaler at når du bærer motorsagen fjerner batteriet og sørger for at bremsen er på og sagkjedet vender bakover.
- ◆ Hold motorsagen i god stand når den ikke er i bruk. Ikke oppbevar motorsagen i lang tid uten først å fjerne kjedet og sverdet, som skal oppbevares nedsenket i olje. Lagre alle sagdelene på et tørt og sikkert sted utilgjengelig for barn.
- ◆ Plasser ledningen slik at den ikke blir sittende fast i grener eller lignende når du sager
- ◆ Vi anbefaler også å tappe oljen ut av oljetanken før saken settes til oppbevaring.
- ◆ Sørg for å ha godt fotfeste, og ha alltid planlagt en sikker vei vekk fra stedet i tilfelle av fallende trær eller grener.
- ◆ Bruk kiler for å kontrollere bevegelsen til treet og forhindre at kjedet og sverdet blokkeres i treet.
- ◆ Vedlikehold av kjedet. Hold kjedet skarpt, og sørg for at det sitter tett rundt sverdet. Sørg for at kjedet og sverdet er rent og godt smurt med olje. Hold håndtakene tørre, rene og frie for olje og fett.

Tilbakeslag kan forårsakes av:

- ◆ At du utilsiktet kommer borti grener eller andre gjenstander med spissen av sagen mens kjedet er i bevegelse.
- ◆ At du kommer borti metall, sement eller annet hardt materiale i nærheten av trevirket, eller som er skjult i trevirket.
- ◆ Et sløvt eller løst kjede.
- ◆ At du sager over skulderhøyde.
- ◆ At du ikke er oppmerksom nok når du holder i eller fører motorsag under saging.
- ◆ At du strekker deg for langt. Pass på at du alltid har sikkert fotfeste og god balanse, og ikke strekk deg for langt.
- ◆ Ikke sett sagen inn i et tidligere laget kutt. Det kan føre til tilbakeslag. Lag et nytt kutt hver gang.
- ◆ Vi anbefaler på det sterkeste at du ikke bruker motorsagen mens du står i et tre, på en stige eller på andre ustabile underlag.
Hvis du likevel bestemmer deg for dette, må du være oppmerksom på at slike stillinger er ekstremt farlige.
- ◆ Når du sager en gren som er spent, må du være oppmerksom på at den kan kastes tilbake, slik at den ikke slår borti deg når spenningen forsvinner.

Unngå å sage:

- ◆ Bearbeidet tømmer.
- ◆ I bakken.
- ◆ I ståltrådgjerder, spiker osv.
- ◆ I kratt og busker, fordi kvister og lignende kan komme inn i kjedet og slenges mot deg eller gjøre at du mister balansen.
- ◆ Ikke bruk motorsagen over skulderhøyde.
- ◆ Pass på at det er noen andre i nærheten (men på sikker avstand) i tilfelle uhell.
- ◆ Hvis du av en eller annen grunn må berøre sagkjedet, må du først kontrollere at motorsagen er koblet fra strømforsyningen.
- ◆ Støyen fra dette produktet kan overskride 80 dB(A). Vi anbefaler derfor at du bruker egnet hørselvern.

Restrisikoer

Når verktøyet brukes, kan det oppstå ytterligere risikoer som kanskje ikke er beskrevet i de medfølgende sikkerhetsadvarslene. Disse risikoene kan bli forårsaket av feil bruk, langvarig bruk osv.

Selv om de relevante sikkerhetsbestemmelsene blir fulgt, og sikkerhetstiltakene blir gjennomført, kan visse gjenværende risikoer ikke unngås. Disse inkluderer:

- ◆ Personskader som forårsakes av berøring av en roterende/bevegelig del.
- ◆ Personskader som forårsakes av at en del, et blad eller tilbehør endres.

- ◆ Personskader som forårsakes av langvarig bruk av et verktøy. Når du bruker et verktøy i lange perioder, må du sørge for å ta regelmessige pauser.
- ◆ Hørselskader.
- ◆ Helsefarer som skyldes innånding av støv som dannes når du bruker verktøyet (for eksempel under arbeid med tre, spesielt eik, bøk og MDF.)

Vibrasjon

Vibrasjonsemisjonsverdiene og de angitte støynivåene som er spesifisert under tekniske data og samsvarserklæring, er blitt målt i henhold til en standard testmetode som er angitt i EN 62841, og kan brukes til å sammenligne et verktøy med et annet. Den oppgitte vibrasjonsemisjonsverdien og støynivåene kan også brukes til en foreløpig vurdering av eksponering.

Advarsel! Vibrasjonsemisjonsverdien og støynivåene under faktisk bruk av elektroverktøyet kan avvike fra den oppgitte verdien avhengig av måten verktøyet blir brukt på. Vibrasjonsnivået kan øke over nivået som er oppgitt. Når det vurderes vibrasjonseksponering for å avgjøre hvilke sikkerhetstiltak som kreves ifølge 2002/44/EF, for å beskytte personer som bruker elektroverktøy regelmessig til arbeidsformål, skal det, når vibrasjonseksponeringen anslås, tas hensyn til de faktiske bruksforholdene og måten verktøyet blir brukt på. Dette inkluderer å ta hensyn til alle deler av brukssyklusen, for eksempel når verktøyet er avslått, når det går på tomgang og når utløseren er trykket inn.

Etiketter på verktøyet

Følgende symboler og datokode er vist på verktøyet:



Advarsel! Brukeren må lese håndboken for å redusere risikoen for personskade.



Ikke bruk sagen i våte omgivelser, ikke la den utsettes for regn.



Bruk alltid hodebeskyttelse, hørselsvern og beskyttelsesbriller.



Bruk alltid hansker.



Bruk alltid sklisikkert fotteøy.



Hold alltid motorsagen med begge hender.



Ikke bruk motorsagen med bare en hånd.



Vær oppmerksom på tilbakeslag av motorsagen og unngå kontakt med tuppen av sverdet.



Vær oppmerksom på fallende gjenstander. Hold tilskuere på avstand



Advarsel! Ikke berør kjedet i sponutslippsområdet



Kjedets bevegelsesretning.



Ta umiddelbart ledningen ut av støpselet hvis den blir skadet eller kuttet av.



Direktiv 2000/14/EF garantert lydnivå.



Direktiv 2000/14/EF garantert lydnivå.



Direktiv 2000/14/EF garantert lydnivå.

Elektrisk sikkerhet



Dette verktøyet er dobbeltisolert. Jording er derfor ikke nødvendig. Kontroller alltid at strømforsyningen samsvarer med spenningen på merkeskiltet.

- ◆ Hvis strømledningen blir skadet, må den byttes av produsenten eller et autorisert BLACK+DECKER-servicesenter for å unngå fare.

Bruke skjøteledning

- ◆ Bruk alltid en godkjent skjøteledning som passer til inngangseffekten for dette verktøyet (se tekniske data). Skjøteledningen må passe for utendørs bruk og skal være merket i samsvar med dette. Opp til 30 m 2 x 1,5 mm² H07RN-F-skjøteledning kan brukes uten tap av ytelse for produktet. Før bruk må du undersøke skjøteledningen for tegn på skade, slitasje og aldri bytt skjøteledningen hvis den er skadet eller defekt. Vikle alltid ut kabelen fullstendig når du bruker en kabeltrommel.

Spenningsfall

- ◆ Under visse strømforsyningsforhold kan dette produktet forårsake korte spenningsfall under oppstart.
- ◆ Annet utstyr kan bli berørt. For eksempel kan elektrisk lys bli midlertidig svakere.
- ◆ Kontakt om nødvendig reguleringsmyndighetene for elektrisitet for å finne ut om impedansen for strømforsyningen er mindre enn 0,159 ohm. Det er lite sannsynlig at det oppstår forstyrrelser under disse betingelsene.

Beskyttelse mot elektrisk støt

- ◆ Unngå å komme i kontakt med jordede overflater (f.eks. metallrekkeverk, lyktestolper osv.). Elektrisk sikkerhet kan forbedres ytterligere ved bruk av jordfeilbryter med høy følsomhet (30 mA / 30 mS) (RCD).



Advarsel! Bruk av jordfeilbryter eller annen overbelastningsbryter fritar ikke operatøren av kjedesagen for å følge sikkerhetsinstruksjonene og anbefalingene om arbeidsmetoder i denne bruksanvisningen.

Funksjoner

1. På-/av-bryter
2. Låseknapp (ikke vist)
3. Front håndbeskyttelse
4. Sverd
5. Sagkjede
6. Sagkjede kjededeksel
7. Justeringshjul for kjedestramming
8. Sverdlåseknott
9. Sverdslire
10. Strømledning
11. Holder for strømledning
12. Oljelokk
13. Indikator for oljenivå
14. Barkstøtte

Montering



Advarsel! Bruk alltid vernehansker ved arbeid på kjedesagen.



Advarsel! Før du utfører montering eller vedlikehold på elektroverktøy, må du slå verktøyet og kople fra strømmen.



Advarsel! Fjern kabelstrips som fester kjedet til sverdet før montering.

Smøre kjedet

Du må alltid olje et nytt kjede (5) før du bruker det for første gang. Legg det nye kjedet (5) i kjedeolje i minst en time før du bruker det. Bruk BLACK+DECKER-kjedeolje.

Vi anbefaler at du bare bruker BLACK+DECKER-olje i hele levetiden til kjedesagen. Blanding av ulike oljer kan føre til at oljen får dårligere egenskaper, noe som kan forkeorte kjedesagens levetid betydelig og skape ekstra risiko.

Bruk aldri spillolje, tykflytende olje eller svært tyntflytende symaskinolje. Dette kan skade motorsagen.

Montere sverd og kjede. (figur A - G)

- ◆ Legg kjedesagen på en stabil overflate.
- ◆ Vipp opp låsespaken og roter låseknotten (8) til sverdet mot klokken som vist på figur A for å fjerne dekselet over tannhjul (6).
- ◆ Ha på vernehansker og grip sagkjedet (5) og legg den rundt sverdet (4), forsikre deg om at tennene peker i riktig retning (se figur G).
- ◆ Forsikre deg om at sagkjedet er riktig satt i sporet rundt hele sverdet.
- ◆ Legg sagkjedet rundt tannhjul (16) mens du retter inn sporet i sverdet mot bolt (17) i bunnen av verktøyet og sagkjede strammebol (18) som vist i figur B.

Merk: Du kan kanskje måtte justere posisjonen av sagkjedets strammebol (18) for at den skal gå rett inn i sporet på sverdet ved å rotere sagkjedets strammehjul (7).

- ◆ Når det er på plass, dreier sagkjedets strammehjul (7) for hånd for foreløpig stramming av modulen, og hold det på plass.
- ◆ Hold sverdet i ro og sett på plass dekselet (6). Pass på at knasten (19) på dekselet er rettet inn med sporet (20) på hovedhuset som vist på figur C. Roter låseknotten (8) med klokken til stram, løse deretter knotten (8) en full omdreining slik at sagkjedet kan strammes ordentlig.
- ◆ Følg anvisningen i "Justere sagkjedestramming" i neste avsnitt.

Justere sagkjedestramming

Advarsel! Skarpt sagkjede. Bruk alltid vernehansker når du setter på eller tar av sagkjedet. Sagkjeden er skarp og kan kutte deg selv om den ikke er i bevegelse.

Advarsel! Skarpt, bevegelig sagkjede. For å forhindre utilsiktet betjening, forsikre deg om at batteriet er fjernet fra verktøyet før du utfører de følgende handlingene. Hvis du ikke gjør dette, kan det føre til alvorlig personskaade.

- ◆ Sjekk sagkjedets (5) stramming med sagen på et flatt, fast underlag. Strammingen er korrekt når sagkjedet spretter tilbake når du trekker det 3 mm bort fra sverdet (4) ved bruk av liten kraft med langfingeren og tommelen, som vist i figur D.

- ◆ For å justere sagkjedestrammingen, løsne sverdets låseknot (8), roter sagkjedets strammehjul (7) mot toppen av sagen for å øke strammingen som vist på figur E. Stram til sverdets låseknot til stramt, etter å ha sjekket at sagkjedet (5) sitter tett rundt sverdet (4).
- ◆ Det skal ikke være noe "heng" mellom sverdet og sagkjedet på undersiden som vist i figur F.
- ◆ Når kjedestrammingen er korrekt, trekk til sverdets låsebolt.
- ◆ Ikke stram til kjedet for mye. Dette vil føre til uforholdsmessig stor slitasje og redusere levetiden til sverdet og sagkjedet.
- ◆ Når sagkjedet er nytt, må du kontrollere strammingen ofte (etter å ha fjernet batteriet) i løpet av de første 2 timene du bruker den, siden et nytt kjede strekker seg noe.

Skifte ut kjedet

Advarsel! Skarpt sagkjede. Bruk alltid vernehansker når du setter på eller tar av sagkjedet. Sagkjeden er skarp og kan kutte deg selv om den ikke er i bevegelse.

Advarsel! Skarpt, bevegelig sagkjede. For å forhindre utilsiktet betjening, forsikre deg om at batteriet er fjernet fra verktøyet før du utfører de følgende handlingene. Hvis du ikke gjør dette, kan det føre til alvorlig personskaade.

- ◆ Roter sverdets låseknot (8) mot klokken for å redusere sagkjedestrammingen.
- ◆ Fjern kjedehjuldekselet (6) som beskrevet i avsnittet "Installere sverdet og sagkjedet".
- ◆ Løft det slitte sagkjedet (5) ut av sporet i sverdet (4).
- ◆ Legg det nye kjedet i sverdets spor. Kontroller at sagkjedetenene vender i riktig retning ved å stille inn pila på kjedet mot grafikken på kjedehjuldekselet (6) vist på figur G.
- ◆ Følg anvisningene over for "Installere sverdet og sagkjedet" og for justering av sagkjedestramming.

Autooljesystem

Denne motorsagen er utstyrt med et automatisk oljesystem som holder sagkjedet og sverdet kontinuerlig smurt.

Oljenivåindikatoren (13) viser nivået av olje i motorsagen. Hvis oljenivået er mindre enn en fjerdedels full, koble fra motorsagen og fyll på med korrekt olje.

Merk: Bruk en høykvalitetsolje for sverd og kjede for skikkelig smøring. Som midlertidig løsning kan en såpefri SAE30 motorolje brukes. Bruk av plantebasert olje for sverd og sagkjede anbefales ved beskjæring av trær.

Mineraloljer anbefales ikke fordi det kan skade trærne. Du skal aldri bruke brukt eller veldig tykk olje. Dette kan skade motorsagen.

Fylle oljebeholderen

- ◆ Fjern oljelokket (12) og fyll tanken med den anbefalte sverd og kjedeoljen til oljenivået har nådd toppen til oljenivåindikatoren (13).
- ◆ Sett på plass oljelokket.
- ◆ Skru motorsagen av periodevis og sjekk oljenivåindikatoren for å sikre at sverdet og kjedet får ordentlig oljesmøring.

Feste skjøteledning

En holder for skjøteledning (11) er innebygget i betjeningshåndtaket. Den hindrer at skjøteledningen blir trukket ut.

- ◆ Legg skjøteledningen dobbel og sett den inn i sporet (21) på enden av håndtaket som vist på figur H. Hekt løkken på ledningen over ledningsfestet (11). Trekk forsiktig i ledningen for å sjekke at den sitter godt i holderen på håndtaket. Plugg inn kontaktenden av skjøteledningen i strømledningen (12) på motorsagen.

Transport av sagen

- ◆ Dekk alltid sverdet (4) med sverdsliren (9) (figur J) ved transport av sagen.
- ◆ Når verktøyet ikke brukes skal frontbeskyttelsen (3) skyves forover for å skjeme verktøyet. Brukeren skal ikke bevege seg uten denne aktivert.

Bruk av motorsagen

Advarsel! Les og forstå alle anvisninger. Manglende overholdelse av instruksjonene listet opp nedenfor kan resultere i elektrisk støt, brann og/eller alvorlig personskade.

Slå på og av

- ◆ For å slå verktøyet PÅ dra låseknappen (2) tilbake og trykk på avtrekkeren (1) som vist på figur Q. (Når verktøyet er i gang kan du slippe låseknappen.)
- ◆ For å slå AV verktøyet, slipp avtrekkeren.

Merk: Det vil ikke være mulig å slå på verktøyet hvis frontbeskyttelsen (3) ikke er i "satt" posisjon.

Hvordan sette på frontbeskyttelsen

- ◆ Sjekk at verktøyet er koblet fra strømforsyningen.
- ◆ Dra frontbeskyttelsen (3) ut og vekk fra verktøyet til "satt" posisjon.
- ◆ Verktøyet er nå klart til bruk.

Hvordan frontbeskyttelsen fungerer

Ved tilbakeslag kommer din venstre hånd i kontakt med frontbeskyttelsen (3), skyver det frem mot arbeidsemnet og stopper verktøyet på brøkdeler av et sekund.

Felling (fig. K, L og M)

Uerfarne brukere bør ikke prøve å felle trær. Det kan oppstå skade på person eller eiendom som følge av manglende evne til å styre fallet i riktig retning, og treet kan splittes, eller skadede/døde grener kan falle ned under sagingen: Den sikre avstanden mellom et tre som skal felles og personer på bakken, bygninger og andre objekter, er minst to og en halv gang høyden av treet. Tilskuere, bygninger eller objekter som befinner seg nærmere enn denne avstanden, vil kunne bli truffet av treet når det faller.

Før forsøk på felling av et tre:

- ◆ Undersøk at det ikke er noen lokale lover eller bestemmelser som forbyr eller styrer trefellingen.
- ◆ Vurder alle forhold som kan ha innvirkning på fallretningen, inkludert:
 - ◆ Den tiltenkte fallretningen.
 - ◆ Den naturlige hellingen til treet:
 - ◆ Eventuelle uvanlig tunge grener eller råtne deler.
 - ◆ Trær i nærheten og andre hindringer, inkludert kabler eller ledninger i luften og underjordiske avløp.
 - ◆ Vindstyrke og -retning.

Før felling av trær må du planlegge en sikker vei bort fra det fallende treet eller grenene.

Kontroller at det ikke er hindringer i veien som kan føre til at du ikke kommer deg unna. Husk at vått gress og nylig kuttet bark er glatt.

- ◆ Forsøk ikke å felle trær med diameter som er større enn motorsagens sagelengde:
- ◆ Skjær et felleskår for å bestemme fallretningen.
- ◆ Lag et horisontalt kutt med dybde mellom 1/5 og 1/3 av trets diameter vinkelrett på fallinjen ved foten av treet (figur K).
- ◆ Lag et nytt kutt ovenfra som krysser det første, slik at det dannes et hakk på ca. 45°.
- ◆ Lag ett enkelt horisontalt fellingskutt fra den andre siden, 25 mm til 50 mm over midten av felleskåret. (Figur L). Ikke skjær helt gjennom til felleskåret, da det kan føre til at du mister kontrollen over fallretningen.
- ◆ Driv én eller flere kiler inn i fellingskuttet for å åpne det og få treet til å falle (figur M).

Beskjæring av trær

Undersøk at det ikke er noen lokale lover eller bestemmelser som forbyr eller styrer beskjæring av tregrener. Beskjæring bør bare utføres av erfarne brukere, da det er økt fare for fastklemming av kjedet og tilbakeslag.

Før beskjæringen starter, er det viktig å vurdere forhold som kan få innvirkning på fallretningen, for eksempel:

- ◆ Lengden og vekten av den grenen som skal sages av.
- ◆ Eventuelle uvanlig tunge grener eller råtne deler.
- ◆ Trær i nærheten og andre hindringer, også i luften.

- ◆ Vindstyrke og -retning:
- ◆ Om grenen er tvunnet sammen med andre grener.

Operatøren må vurdere tilgangen til tregrenen og fallretningen. Grenen vil kunne falle inn mot trestammen. I tillegg til brukeren vil tilskuere, gjenstander og eiendeler under grenen kunne bli utsatt for skade.

- ◆ For å unngå oppflising lager du det første kuttet oppover inn til en maksimumsdybde på en tredjedel av grenens diameter.
- ◆ Lag det andre kuttet nedover og slik at det treffer det første.

Kløyving (figur N, O og P)

Hvordan du skal kutte, avhenger av hvordan stokken er støttet opp. Bruk en sagkrakk når dette er mulig.

Start alltid sagingen med sagkjedet i gang og med barkstøtten (22) i kontakt med treet (figur N).

For å fullføre kuttet vipper du barkstøtten mot treet.

Når stokken er støttet i hele sin lengde:

- ◆ Lag et kutt nedover, men unngå å sage i jorden, ettersom det vil føre til at sagkjedet blir sløvt veldig fort.

Når stokken er støttet i begge ender:

- ◆ Først sager du en tredjedel nedover for å unngå oppsplintring, og deretter sager du oppover for å møte det første kuttet.

Når stokken er støttet i én ende:

- ◆ Først kutter du en tredjedel opp for å unngå oppsplintring, og deretter kutter du ned for å unngå oppsplintring.

I en helling:

- ◆ Stå alltid på oversiden.

Når du forsøker å sage en stakk på bakken (fig. O)

- ◆ Sikre arbeidsstykket ved å bruke klosser eller kiler. Brukeren eller en tilskuer må ikke holde trevirket fast ved å sitte eller stå på det. Pass på at sagkjedet ikke kommer i kontakt med bakken.

Ved bruk av sagkrakk (figur P):

Om mulig er dette den beste måten.

- ◆ Plasser trevirket i en stabil posisjon. Kutt alltid på utsiden av sagkrakkarmene. Bruk klemmer eller stropper for å sikre arbeidsemnet.

Kutting av grener (figur Q)

Fjerne grener fra et felt tre. Når grener kuttes, skal store grener nederst stå igjen for å støtte stammen opp fra bakken. Fjern de små grenene i ett kutt. Grener i spenn skal kuttes fra nederst på grenen mot toppen for å unngå at motorsagen blokkeres.

Trim grener fra motsatt side mens du holder trestammen mellom deg og sagen. Sag aldri med sagen mellom bena, eller stå overskrevet over grenen som skal sages.

Feilsøking

Problem	Mulig årsak	Mulig løsning
Verktøyet starter ikke	Låseknappen er ikke trykket inn.	Trykk på låseknappen.
	Frontbeskyttelsen er i bremsestilling	Tilbakestill frontbeskyttelse
	En sikring har gått	Bytt sikring
	Utløst jordfeilbryter	Kontroller jordfeilbryter
	Nettledningen er ikke koblet til	Kontroller strømtilførselen
Kjedet stopper ikke innen 2 sekunder når verktøyet slås av	Kjedestrammingen er for slapp	Sjekk sagkjedestramming
Sverd/kjede virker varmelryker	Oljetanken er tom	Kontroller nivået i oljetanken
	Oljehull er blokkert på sverdet	Rengjør oljehullene og rengjør rillen rundt kanten på sverdet.
	Kjedestrammingen er for stram	Sjekk sagkjedestramming
	Tannhjulene på tuppen av sverdet trenger smøring	Smør tannhjulene på tuppen av sverdet
Kjedesagen skjærer ikke bra	Sagkjedet satt på feil vei	Kontroller/endre kjedets retning
	Sagkjedet er sløvt	Slipe eller skifte sagkjedet
Motorsagen bruker ikke olje	Rusk i tanken	Tøm oljen av tanken og fyll på ny
	Oljehullet i lokket er blokkert	Fjern rusk fra hullet
	Rusk på sverdet	Fjern rusk og rengjør sverdet
	Rusk i oljeuttaket	Fjern rusk

Vedlikehold

Regelmessig vedlikehold sikrer lang levetid for verktøyet. Vi anbefaler at du foretar følgende sjekker regelmessig.

Advarsel! Før du utfører vedlikehold på elektroverktøy:

- ◆ Så av verktøyet og trekk støpselet ut av stikkontakten.

Oljenivå

Oljetanken må alltid være minst 25 % full.

Sagjede og sverd (fig. F)

- ◆ Etter noen timers bruk og før oppbevaring tar du av sverdet (4) og sagkjedet (5) og rengjør dem grundig.
- ◆ Sjekk at beskyttelsen er ren og fri for rusk.

Advarsel! Ikke stram for mye.

- ◆ Påfør olje på tuppen av kjedehjulet via kjedehjulets smørehull. Dette sørger for jevn fordeling rundt sverdet.

Skjerpe kjedet

Hvis du vil ha best mulig ytelse fra verktøyet, er det viktig å holde kjedetennene skarpe.

Skifte utslitte sagkjeder

Nye sagkjeder kan fås hos forhandlere og autoriserte BLACK+DECKER-serviceverksteder. Bruk alltid originale reservedeler.

Skifte ut sagkjedet:

BECS1835 35 cm kjede A6235CS

BECS2040 40 cm kjede A6240CS

BECS2245 45 cm kjede A6235CS

Kjedeskarpheit

Sagetennene på kjedet vil bli sløve med én gang hvis de berører bakken eller en spiker under bruk.

Sagkjedestramming

Sjekk sagkjedestrammingen regelmessig.

Hva som skal gjøres hvis motorsagen må repareres.

Motorsagen er produsert i samsvar med relevante sikkerhetskrav. Reparasjoner må bare utføres av en kvalifisert person som benytter originale reservedeler, ellers kan det være svært farlig for brukeren. Vi anbefaler at du oppbevarer denne bruksanvisningen på et sikkert sted.

Strømstøpsel utskifting (kun U.K. & Irland)

Dersom du trenger å sette på et nytt støpsel:

- ◆ Kast det gamle støpsel på forsvarlig vis.
- ◆ Koble den brune ledningen til det strømførende tilkoblingspunktet i det nye støpselet.
- ◆ Kople den blå ledningen til den andre fasen.

Advarsel! Jordingslederen skal ikke kobles til. Følg monteringsanvisningen som medfølger støpsler av god kvalitet. Anbefalt sikring: 10 A.

Miljøvern



Separat avfallshåndtering. Produkter og batterier merket med dette symbolet skal ikke kastes i vanlig husholdningsavfall

Produkter og batterier inneholder materialer som kan gjenbrukes eller gjenvinnes for å redusere behovet for nye råmaterialer. Vennligst lever elektrisk utstyr og batterier til gjenbruk i henhold til lokale retningslinjer. Mer informasjon finner du på www.2helpU.com

Tekniske data

		BECS1835 Type 1	BECS2040 Type 1	BECS2245 Type 1
Spenning	V _{ac}	230 V	230 V	230 V
Sverdlengde	cm	35	40	46
Maks. sverdlengde	mm	419	459	511
Maks. kjedehastighet (uten belastning)	m/sm	14,5	14,5	14,5
Maks. sagelengde	mm	319	368	407
Oljekapasitet	ml	170	170	170
Vekt (uten sagkjede, sverd, olje)	kg	4,1	4,1	4,3

BECS1835 Støyverdi målt i henhold til EN62841:

LpA (lydtrykk) 99 dB(A), usikkerhet (K) 3 dB(A)
LwA (lydeffekt) 109 dB(A), usikkerhet (K) 1,6 dB(A)

BECS1835 Totale vibrasjonsverdier (triax vektorsum) i henhold til EN 602841:

Vibrasjonsemisjonsverdi (a_{Hv}) = 3,8 m/s², usikkerhet (K) = 1,5 m/s²

BECS2040 Støyverdi målt i henhold til EN62841:

LpA (lydtrykk) 100 dB(A), usikkerhet (K) 3 dB(A)
LwA (lydeffekt) 110 dB(A), usikkerhet (K) 1,8 dB(A)

BECS2040 Totale vibrasjonsverdier (triax vektorsum) i henhold til EN 602841:

Vibrasjonsemisjonsverdi (a_{Hv}) = 5,2 m/s², usikkerhet (K) = 1,5 m/s²

BECS2245 Støyverdi målt i henhold til EN62841:

LpA (lydtrykk) 98 dB(A), usikkerhet (K) 3 dB(A)
LwA (lydeffekt) 108 dB(A), usikkerhet (K) 1,6 dB(A)

BECS2245 Totale vibrasjonsverdier (triax vektorsum) i henhold til EN 602841:

Vibrasjonsemisjonsverdi (a_{Hv}) = 4,1 m/s², usikkerhet (K) = 1,5 m/s²

EU-samsvarserklæring MASKINDIREKTIVET



BECS1835, BECS2040, BECS2245 Motorsag

Black & Decker erklærer at produktene som er beskrevet under "tekniske data" er i samsvar med: 2006/42/EF, EN 62841-1:2015+A11:2022, EN 62841-4-1:2020 2000/14/EU, vedlegg V

BECS2040: LWA (målt lydeffektivnivå) 110 dB(A), usikkerhet (K) = 1,8 dB (A),

LWA (garantert lydeffekt) 112 dB(A)

BECS1835: Målt lydeffektivnivå LWA: 109 dB(A). K = 1,6 dB(A).

Garantert lydeffektivnivå LWA: 111 dB(A).

BECS2245 : Målt lydeffektivnivå LWA: 108 dB(A). K = 1,6 dB(A).

Garantert lydeffektivnivå LWA: 110 dB(A)

Disse produktene er også i samsvar med direktiv 2014/30/EU og 2011/65/EU.

For mer informasjon, kontakt Black & Decker på adressen under eller se baksiden av bruksanvisningen.

Undertegnede er ansvarlig for sammenstillingen av den tekniske filen og avgir denne erklæringen på vegne av Black & Decker.

Patrick Diepenbach

Patrick Diepenbach
General Manager, Benelux
Black & Decker,
Egide Walschaertsstraat 14-18
2800 Mechelen, Belgia
17/02/2023

Garanti

Black & Decker er sikre på kvaliteten av sine produkter, og gir forbrukere 24 måneder garanti fra kjøpsdato.

Denne garantien er et tillegg og endrer ikke dine rettigheter i henhold til loven.

Garantien er gyldig innen områdene tilhørende medlemslandene i den Europeiske Union (EU) og det Europeiske Frihandelsområdet (EFTA) og Storbritannia.

For å ta garantien i bruk må kravet være i samsvar med kjøpsbetingelsene fra Black&Decker og du må vise kjøpskvittering til forhandleren eller til et autorisert serviceverksted.

Betingelsene for Black & Deckers 2 års garanti og adressen til din nærmeste autoriserte serviceverksted kan du finne på internett under www.2helpU.com, eller ved å kontakte ditt lokale Black & Decker kontor, adressen er angitt i denne bruksanvisningen.

Besøk våre nettsider på www.blackanddecker.no for å registrere ditt nye BLACK+DECKER-produkt og for å få informasjon om nye produkter og spesialtilbud.

Tilsigtet brug

Din BLACK+DECKER™ BECS1835, BECS2040, BECS2245 kædesav er designet til at fælde træer og save kævler. Værktøjet er kun beregnet til privat brug.

Sikkerhedsvejledning

Generelle sikkerhedsadvarsler for elektrisk værktøj



Advarsel! Læs alle sikkerhedsadvarsler, instruktioner, illustrationer og specifikationer, der følger med dette elværktøj. Manglende overholdelse af alle nedenstående instruktioner kan medføre elektrisk stød, brand og/eller alvorlig personskade.

Gem alle advarsler og instruktioner til fremtidig reference.

Begrebet "elværktøj", der benyttes i nedenstående advarsler, henviser til netdrevet elværktøj (med netledning) eller batteridrevet elværktøj (uden netledning).

1. Sikkerhed i arbejdsområdet

- Hold arbejdsområdet rent og ordentligt oplyst.** Rodede eller mørke områder giver anledning til ulykker.
- Brug ikke elværktøj i eksplosive omgivelser, f.eks. hvor der er brændbare væsker, gasser eller støv.** Elværktøj danner gnister, der kan antænde støv eller dampe.
- Hold børn og andre personer i nærheden på afstand, når der arbejdes med elværktøj.** Distractioner kan medføre, at du mister kontrollen.

2. Elektricitet og sikkerhed

- Elværktøjets stik skal passe til kontakten. Stikket må aldrig modificeres på nogen måde. Undlad at bruge adapterstik sammen med (jordforbundet) elektrisk værktøj.** Umodificerede stik og dertil passende stikkontakter reducerer risikoen for elektrisk stød.
- Undgå kropskontakt med jordforbundne overflader som f.eks. rør, radiatorer, komfurer og køleskabe.** Der er øget risiko for elektrisk stød, hvis din krop er jordforbundet.
- Udsæt ikke elværktøj for regn, og brug det ikke, hvor omgivelserne er våde.** Hvis der trænger vand ind i et elektrisk værktøj, øges risikoen for elektrisk stød.
- Pas på, at ledningen ikke beskadiges. Brug aldrig ledningen til at bære, trække værktøjet eller trække det ud af stikkontakten. Hold ledningen borte fra varme, olie, skarpe kanter og bevægelige dele.** Beskadigede eller sammenfiltrede ledninger øger risikoen for elektrisk stød.
- Hvis elværktøj benyttes i det fri, skal der benyttes en forlængerledning, som er godkendt til udendørs brug.** Brug af en ledning, der er egnet til udendørs brug, reducerer risikoen for elektrisk stød.

- f. **Brug en strømkilde med fejlstrømsrelæ, hvis det er nødvendigt at anvende elværktøj på fugtige steder.** Ved at benytte en fejlstrømsafbryder reduceres risikoen for elektrisk stød.
3. **Personssikkerhed**
- a. **Vær opmærksom, hold øje med, hvad du laver og brug elværktøjet fornuftigt. Betjen ikke værktøjet, hvis du er træt, påvirket af narkotika, alkohol eller medicin.** Et øjeblik uopmærksomhed under anvendelse af et elektrisk værktøj kan forårsage alvorlige kvæstelser.
- b. **Brug personligt beskyttelsesudstyr. Bær altid beskyttelsesbriller.** Det er muligt at reducere risikoen for kvæstelser ved alt efter omstændighederne at anvende det passende sikkerhedsudstyr såsom en støvmaske, skridsikre sikkerhedssko, sikkerhedshjelm eller høreværn.
- c. **Træf forholdsregler, så utilsigtet start ikke er mulig. Kontrollér, at afbryderkontakten står på slukket, inden værktøjet tilsluttes strømkilden og/eller batteriet, samles op eller bæres.** Når elektrisk værktøj bæres med fingrene på kontakten eller tilsluttes, når kontakten er tændt, giver det anledning til ulykker.
- d. **Fjern indstillingsnøgle eller skruenøgle, inden elværktøjet startes.** En skruenøgle eller anden nøgle, der bliver siddende på en roterende del af elektrisk værktøj, kan give anledning til personskade.
- e. **Stræk dig ikke for langt. Hold hele tiden en god fodstilling og balance.** Dette gør, at du har bedre kontrol over det elektriske værktøj, når uventede situationer opstår.
- f. **Brug egnet arbejdstøj. Bær ikke løst tøj eller smykker. Hold dit hår, tøj og handsker væk fra bevægelige dele.** Løstsiddende tøj, smykker eller langt hår kan blive fanget i bevægelige dele.
- g. **Hvis der kan monteres støvudsugnings- og opsamlingsudstyr, skal dette tilsluttes og benyttes korrekt.** Anvendelse af støvsamlingsudstyr kan begrænse farer forårsaget af støv.
- h. **Lad ikke kendskab fra hyppig brug af værktøjer gøre dig uforsigtig og få dig til at ignorere principperne for værktøjsikkerhed.** En uforsigtig handling kan forårsage alvorlig personskade på en brøkdæl af et sekund.
4. **Brug og vedligeholdelse af elværktøj**
- a. **Overbelast ikke elværktøjet. Brug det elværktøj, der er bedst egnet til det arbejde, der skal udføres.** Det korrekte elværktøj klarer opgaven bedre og mere sikkert med den effekt, som det er konstrueret til.
- b. **Brug ikke elværktøjet, hvis afbryderkontakten er defekt.** Alt elektrisk værktøj, der ikke kan kontrolleres med kontakten, er farligt og skal repareres.
- c. **Træk stikket ud af stikkontakten og/eller batteriet inden indstilling, tilbehørsudskiftning eller opbevaring af elværktøjet.** Sådanne forebyggende sikkerhedsforanstaltninger mindsker risikoen for, at værktøjet startes utilsigtet.
- d. **Opbevar ubenyttet elværktøj uden for børns rækkevidde. Lad aldrig personer, der ikke er fortrolige med elværktøjet, eller som ikke har læst denne vejledning, benytte maskinen.** El-værktøj er farligt i hænderne på personer, som ikke er instrueret i brugen deraf.
- e. **Elværktøj skal vedligeholdes. Kontroller, om bevægelige dele er skæve og ikke sidder fast, og om delene er brækket eller beskadiget, så elværktøjets funktion påvirkes. Hvis det elektriske værktøj er beskadiget, skal det repareres før brug.** Mange ulykker er forårsaget af dårligt vedligeholdt værktøj.
- f. **Hold skæreværktøj skarpt og rent.** Ordentligt vedligeholdt skæreværktøj med skarpe skærekanter har mindre tilbøjelighed til at binde og er lettere at styre.
- g. **Brug elværktøjet, tilbehøret, værktøjsindsatser osv. i overensstemmelse med disse instruktioner under hensyntagen til arbejdsforholdene og arbejdet, der skal udføres med værktøjet.** Brug af elektrisk værktøj til andre opgaver end dem, det er beregnet til, kan resultere i en farlig situation.
- h. **Hold håndtagene og håndtagsfladerne tørre, rene og fri for olie og fedt.** Glatte håndtag og grebflader giver ikke en sikker håndtering og kontrol af værktøjet i uventede situationer.
5. **Service**
- a. **Lad kun fagkyndige personer reparere elværktøjet og benyt kun originale reservedele.** Derved sikres det, at værktøjets driftssikkerhed opretholdes.

Generelle sikkerhedsadvarsler for kædesave



Advarsel! Yderligere sikkerhedsadvarsler for kædesave

- ◆ **Hold alle dele af kroppen væk fra savkæden, når kædesaven anvendes. Før du starter kædesaven, skal du sikre dig, at savkæden ikke er i kontakt med noget.** Få sekunders uopmærksomhed ved brugen af kædesave kan medføre, at dit tøj eller din krop kommer i kontakt med kædesaven.
- ◆ **Hold altid kædesaven med højre hånd på det bageste håndtag og venstre hånd på det forreste håndtag.** Hold aldrig kædesaven med hænderne placeret omvendt, da dette øger risikoen for personskade.
- ◆ **Hold kun i kædesavens isolerede grebflader, da savkæden kan komme i kontakt med skjulte ledninger.**

Hvis savkæder kommer i kontakt med en strømførende ledning, bliver kædesavens blottagte dele strømførende, så brugeren får stød.

- ◆ **Bær øjenværn. Det anbefales at benytte yderligere beskyttelsesudstyr til ører, hoved, hænder, ben og fødder.** Tilstrækkeligt beskyttende udstyr mindsker personskadene i tilfælde af flyvende materiale eller kontakt med savkæden ved et uheld.
- ◆ **Betjen ikke en kædesav i et træ, på en stige, fra et tag eller på en ustabil støtte.** Hvis du betjener en kædesav på denne måde, kan det resultere i alvorlig personskade.
- ◆ **Sørg altid for at have et godt fodfæste, og brug kun kædesaven, når du står på en fast, solid og jævn overflade.** Glatte eller ustabile overflader som f.eks. stiger kan medføre, at du mister balancen eller kontrollen med kædesaven.
- ◆ **Ved savning i en stammedel, der står under spænding, skal du være opmærksom på eventuel tilbagefjedring.** Når spændingen i træfibrene udløses kan den fjederbelastede stammedel ramme brugeren og/eller bringe kædesaven ud af kontrol.
- ◆ **Udvis stor forsigtighed ved savning i småkviste og unge træer.** Det tynde materiale kan gribe fat i savkæden og blive slynget tilbage mod dig eller skubbe dig ud af balance.
- ◆ **Bær kædesaven i det forreste håndtag med kædesaven slukket og vendt bort fra kroppen. Monter altid sværddækslet ved transport eller opbevaring af kædesaven.** Korrekt håndtering af kædesaven mindsker risikoen for at komme i berøring med savkæden ved et uheld, mens den kører.
- ◆ **Følg instruktionerne vedrørende smøring, spænding af savkæden og udskiftning af sværdet og savkæden.** Forkert spændte eller smurte savkæder kan knække eller forøge risikoen for tilbageslag.
- ◆ **Sav kun i træ. Brug ikke kædesaven til formål, den ikke er beregnet til. For eksempel: brug ikke kædesaven til at save i metal, plastik, murværk eller byggematerialer, som ikke er af træ.** Hvis kædesaven anvendes til andre formål, end den er beregnet til, kan der opstå farlige situationer.
- ◆ **Forsøg ikke at fælde et træ, før du har en forståelse for risiciene, og hvordan du undgår dem.** Operatøren og tilskuere kan pådrage sig alvorlig personskade under fældningen af et træ.
- ◆ **Følg alle instruktioner, når du fjerner fastklemt materiale, opbevarer eller foretager service på motorsaven. Kontrollér, at værktøjet er afbrudt ved strømforsyningen.** Uventet aktivering af kædesaven under fjernelse af det fastsiddende materiale eller servicering kan resultere i alvorlig personskade.

- ◆ Brug tætsiddende og beskyttende tøj samt en sikkerhedshjelm med visir/sikkerhedsbriller, høreværn, skridsikkert fodtøj, beskyttende smækbukser og kraftige læderhandsker.
- ◆ Stå altid på en sådan måde, at du er i sikkerhed for faldende grene.
- ◆ Sikkerhedsafstanden mellem en gren, der skal skæres ned, og omkringstående personer, bygninger og andre genstande skal være mindst 2 1/2 gange grenens længde. Omkringstående personer, bygninger eller genstande inden for denne afstand risikerer at blive ramt af den nedfaldende gren.
- ◆ Planlæg en sikker flugtvej fra faldende grene. Kontroller, at undvigerruten er fri for hindringer, der kan forhindre eller hæmme bevægelsesfriheden. Husk, at vådt græs og nyskåret bark er glat.
- ◆ Sørg for, at der står en anden person i nærheden (men i sikker afstand), hvis der skulle ske et uheld.
- ◆ Brug ikke værktøjet, mens du står i et træ, på en stige eller på en anden ustabil flade.
- ◆ Hold hele tiden en god fodstilling og balance.
- ◆ Hold godt fast i værktøjet med begge hænder, når motoren kører.
- ◆ Lad ikke den kørende savkæde komme i kontakt med genstande ved spidsen af sværdet.
- ◆ Påbegynd først savningen, når savkæden bevæger sig med fuld hastighed.
- ◆ Forsøg ikke at sætte saven i et tidligere snit. Lav et nyt snit hver gang.
- ◆ Pas på grene, der flytter sig, eller andre kræfter, der kan lukke savsporet og klemme eller falde ind i savkæden.
- ◆ Forsøg ikke at save en gren over, hvis diameter er større end værktøjets skærelængde.
- ◆ Placer altid kædebeskytteren over savkæden ved opbevaring eller transport af værktøjet.
- ◆ Hold savkæden skarp og korrekt strammet. Kontroller stramningen regelmæssigt.
- ◆ Sluk for værktøjet, afbryd strømforsyningen, og lad savkæden standse, før du udfører nogen form for justering, service eller vedligeholdelse.
- ◆ Brug kun originale reservedele og tilbehør.
- ◆ Hold håndtagene tørre, rene og fri for olie og fedt. Fedtede håndtag er glatte og kan forårsage, at du mister kontrollen over maskinen.
- ◆ Den takkede kant kan blive skarp i løbet af produktets levetid. Behandl det med omhu.
- ◆ Sværdet kan blive varmt, når produktet anvendes. Vær forsigtig med ved omgang med dette.

Årsager til og undgåelse af tilbageslag (kickback)

Tilbageslag kan forekomme, når spidsen af sværdet berører en genstand, eller når træet lukkes sammen, så savkæden kommer i klemme i snittet.

Kontakt på spidsen kan forårsage en pludselig modsat reaktion, så sværdet slås opad og bagud mod brugeren. Fastklemning af savkæden oven på sværdet kan medføre, at sværdet skubbes hurtigt tilbage mod brugeren.

Begge disse reaktioner kan føre til, at du mister kontrollen med kædesaven, hvilket kan medføre alvorlig personskade.

Du må ikke udelukkende forlade dig på de indbyggede sikkerhedsfunktioner i kædesaven. Som bruger af en kædesav skal du træffe en række forholdsregler for at undgå uheld eller personskade, når du arbejder.

Et tilbageslag (kickback) opstår som følge af forkert brug eller misbrug af værktøjet. Det kan undgås ved at tage nedenstående forholdsregler:

- ◆ **Hold godt fast, således at tommelfingeren og de øvrige fingre griber omkring håndtagene på kædesaven. Hold begge hænder på kædesaven, og placer kroppen og armen, så du kan modstå tilbageslagskraften.** Tilbageslagskræfterne kan kontrolleres af brugeren, hvis der træffes de nødvendige forholdsregler. Slip ikke kædesaven.
- ◆ **Ræk dig ikke for langt, og undlad at save over skulderhøjde.** Derved undgås berøring af spidsen ved et uheld, og du har bedre kontrol med kædesaven i uventede situationer.
- ◆ **Anvend kun udskiftningssværd og -savkæder, som er godkendt af producenten.** Forkerte udskiftningssværd og -savkæder kan medføre, at savkæden knækker, og/eller tilbageslag.
- ◆ **Følg producentens instruktioner vedrørende slibning og vedligeholdelse af savkæden.** Hvis dybdemålerens højde reduceres, forøges risikoen for tilbageslag.

Sikkerhedsanbefalinger for kædesaven

- ◆ Vi anbefaler kraftigt, at førstegangsbrugere modtager praktisk vejledning i brugen af kædesaven og beskyttelsesudstyr fra en øvet bruger. Indledende øvelser bør udføres ved at save i stammer på en savbuk eller et stativ.
- ◆ Vi anbefaler, at du sikrer dig, at savkæden vender bagud, når du bærer kædesaven.
- ◆ Hold kædesaven ved lige, når den ikke er i brug. Kædesaven må ikke opbevares i længere tid, uden at savkæden og sværdet er afmonteret. Disse dele skal opbevares neddyppet i olie. Opbevar alle kædesavens dele på et tørt, sikkert sted uden for børns rækkevidde.
- ◆ Placer altid ledningen, så den ikke sætter sig fast mellem grene og lignende under savning
- ◆ Vi anbefaler, at du tømmer oliebeholderen, før kædesaven lægges til opbevaring.
- ◆ Sørg for, at du har et sikkert fodfæste, og planlæg en sikker flugtvej fra et faldende træ eller faldende grene, før savningen påbegyndes.

- ◆ Brug kiler til at hjælpe med at styre fældningen og forhindre, at sværdet og savkæden sætter sig fast i træet.
- ◆ Behandling af savkæden. Hold savkæden skarp og stram på sværdet. Sørg for, at savkæden og sværdet er rene og velsmurte. Sørg for, at håndtagene er tørre, rene og fri for olie og fedt.

Der kan forekomme tilbageslag af følgende grunde:

- ◆ Hvis man rammer grene eller andre emner uforvarende med spidsen af saven, mens savkæden kører.
- ◆ Hvis man rammer metal, cement eller andre hårde materialer ved siden af eller indlejret i træet.
- ◆ En sløv eller løs savkæde.
- ◆ Savning over skulderhøjde.
- ◆ Manglende opmærksomhed, mens man holder eller styrer den kørende kædesav.
- ◆ Udstrækning. Sørg for, at du altid har sikkert fodfæste og balance hele tiden, og stræk dig ikke for langt ud.
- ◆ Forsøg ikke at sætte saven i et tidligere snit. Dette kan medføre tilbageslag. Lav et nyt snit hver gang.
- ◆ Vi fraråder kraftigt at bruge kædesaven, når du står oppe i et træ, på en stige eller på en anden ustabil overflade. Hvis du gør dette, gør vi opmærksom på, at disse arbejdsstillinger er ekstremt farlige.
- ◆ Når du saver en gren, der er under spænding, skal du passe på, når den springer tilbage, at du ikke bliver ramt, når spændingen udløses.

Undgå at save:

- ◆ Forarbejdet tømmer.
- ◆ I jord.
- ◆ I trådhegn, søm osv.
- ◆ I små kviste og unge træer, da det spinkle materiale kan gribe fat i savkæden og blive slynget mod dig eller skubbe dig ud af balance.
- ◆ Brug ikke kædesaven over skulderhøjde.
- ◆ Sørg for, at der står en anden person i nærheden (men i sikker afstand), hvis der skulle ske et uheld.
- ◆ Hvis du af en eller anden grund skal røre ved savkæden, skal du sørge for, at kædesaven er afbrudt ved stikkontakten.
- ◆ Støjen fra dette produkt kan overstige 80 dB(A). Vi anbefaler derfor, at du tager de relevante forholdsregler til beskyttelse af hørelsen.

Tilbageværende risici

Der kan opstå yderligere, tilbageværende risici under brugen af apparatet, som muligvis ikke behandles i de vedlagte sikkerhedsadvarsler. Disse risici kan opstå pga. forkert anvendelse, langvarig brug etc. Selv ved overholdelse af relevante sikkerhedsforskrifter og anvendelse af sikkerhedsudstyr kan visse resterende risici ikke undgås. Disse omfatter:

- ◆ Tilskadekomst forårsaget af berøring af roterende/ bevægelige dele.
- ◆ Tilskadekomst forårsaget af udskiftning af dele, klinger eller tilbehør.
- ◆ Tilskadekomst forårsaget af langvarig brug af et apparat. Husk at holde pause jævnligt ved brug af et apparat i længere tid.
- ◆ Hørenedsættelse.
- ◆ Sundhedsrisici forårsaget af indånding af støv, der genereres ved brug af værktøjet (eksempel: arbejde med træ, især eg, bøg og MDF.)



Bær altid skridsikkert fodtøj.



Hold altid en kædesav godt med begge hænder.



Brug ikke kædesaven med én hånd.



Vær opmærksom på kædesavens tilbagelag, og undgå kontakt med spidsen af sværdet.



Vær opmærksom på faldende genstande. Hold tilskuere på afstand



Advarsel! Rør ikke savkæden ved spånudgangen



Savkædens omløbsretning.



Træk straks ledningen ud af stikkontakten, hvis ledningen beskadiges, eller der saves i den.



Direktiv 2000/14/EC garanteret lydstyrke.



Direktiv 2000/14/EC garanteret lydstyrke.



Direktiv 2000/14/EC garanteret lydstyrke.

Vibration

De angivne værdier for udsendelse af vibration og de(n) angivne værdi(er) for udsendelse af støj anført under de tekniske data og overensstemmelseserklæringen er målt i henhold til standardtestmetoden i EN 62841 og kan bruges til at sammenligne ét værktøj med et andet. De angivne værdier for udsendelse af vibration og de(n) angivne værdi(er) for udsendelse af støj kan også bruges i forbindelse med en foreløbig vurdering af eksponeringen.

Advarsel! Værdien for udsendelse af vibration og støj i forbindelse med den faktiske anvendelse af elværktøjet kan afvige fra den angivne værdi afhængig af metoden, hvormed værktøjet anvendes. Vibrationsniveauet kan overstige det angivne niveau.

I vurderingen af eksponeringen for vibration med henblik på fastsættelse af sikkerhedsforanstaltninger som krævet i 2002/44/EF til beskyttelse af personer, der jævnligt anvender elværktøj i deres arbejde, skal der tages hensyn til de faktiske betingelser under brugen, og måden værktøjet bruges på, herunder alle arbejds cyklussens afsnit, f.eks. perioder, hvor værktøjet er slukket, og hvor det kører i tomgang, tillige med startperioderne.

Mærkatet på værktøjet

Følgende piktogrammer findes på værktøjet sammen med datokoden:



Advarsel! Brugeren skal læse brugervejledningen for at reducere risikoen for kvæstelser.



Anvend ikke saven under våde forhold, og udsæt den ikke for regn.



Brug altid hovedbeskyttelse, høreværn og sikkerhedsbriller.



Bær altid handsker.

Elektricitet og sikkerhed



Dette værktøj er dobbeltisoleret. Derfor er en jordledning ikke nødvendig. Kontrollér altid, at strømforsyningen svarer til spændingen på mærkepladen.

- ◆ Hvis netledningen beskadiges, skal den udskiftes af producenten eller et autoriseret BLACK+DECKER-værksted, så farlige situationer undgås.

Brug af en forlængerledning

- ◆ Brug altid en godkendt forlængerledning, der er egnet til dette værktøjs strømstik (se de tekniske data).

Forlængerledningen skal være egnet til udendørs brug og mærket i overensstemmelse hermed. Der kan bruges en HO7RN-F 2 X-forlængerledning på op til 30 m med et tværsnit på 1,5 mm², uden at produktets ydeevne forringes. Før brug skal forlængerledningen inspiceres for tegn på beskadigelse, slid og ældning. Udskift forlængerledningen, hvis den er beskadiget eller defekt. Ved brug af en ledningstrømle skal ledningen altid rulles helt ud.



Advarsel! Før samling af elværktøj, eller før der udføres vedligeholdelse på elværktøj, skal det slukkes, og stikket skal afbrydes fra strømforsyningen.



Advarsel! Fjern kabelbåndet, som holder savkæden fast på sværdet, før samling.

Spændingsfald

- ◆ Under visse strømforsyningsforhold kan dette produkt ved start forårsage kortvarige spændingsfald.
- ◆ Det kan påvirke andet udstyr. Den elektriske belysning kan f.eks. kortvarigt blive svagere.
- ◆ Kontakt om nødvendigt elværket for at få oplyst, om strømforsyningens impedans er under 0.159 ohm. Der opstår sandsynligvis ikke forstyrrelser under disse forhold.

Beskyttelseskærm imod elektrisk stød

- ◆ Undgå kropskontakt med jordede overflader (f.eks. metalgelændere, lygtepæle osv.). Den elektriske sikkerhed kan forbedres yderligere ved brug af en højfølsom (30 mA / 30 mS) fejlstrømsafbryder.



Advarsel! Brug af en fejlstrømsafbryder eller en anden kredsløbsafbryder fritager ikke brugeren af kædesaven fra de sikkerhedsinstruktioner og sikre arbejdsmetoder, der er anvist i denne brugsanvisning.

Funktioner

1. Afbryderkontakt
2. Startspærreknop (vises ikke)
3. Fronthåndskærm
4. Sværd
5. Savkæde
6. Savkædebeskytter
7. Hjul til justering af savkædens stramning
8. Låseknop til justering af sværd
9. Sværddæksel
10. Netledning
11. Netledningsholder
12. Olieåbning
13. Indikator for oliestand
14. Takket kant

Samling



Advarsel! Bær altid beskyttelseshandsker, når du arbejder med kædesaven.

Smøring af savkæden

Du skal gøre dette, hver gang du bruger en ny savkæde (5) for første gang. Lad den nye savkæde (5) ligge i kædeolie i mindst en time, før den tages i brug. Anvend savkædeolie fra BLACK+DECKER.

Vi anbefaler, at du kun bruger BLACK+DECKER-olie i hele kædesavens levetid, da en blanding af forskellige olier kan medføre, at olien nedbrydes, hvilket kan forkorte savkædens levetid væsentligt samt skabe farlige situationer. Brug aldrig spildolie, tyk olie eller meget tynd symaskineolie. De vil kunne beskadige kædesaven.

Montering af savkæden og sværdet. (fig. A - G)

- ◆ Anbring kædesaven på en stabil overflade.
- ◆ Drej låseknappen til justering af sværd (8) mod uret, som vist på figur A, for at fjerne kædebeskytteren (6).
- ◆ Bær beskyttelseshandsker, og tag fat i savkæden (5), og tag den omkring sværdet (4), mens du sikrer dig, at tænderne vender i den rigtige retning (se figur G).
- ◆ Sørg for, at savkæden er placeret korrekt i åbningen omkring hele sværdet.
- ◆ Placer savkæden rundt om kædehjulet (16), mens slidsen i sværdet justeres med bolten (17) nederst på værktøjet og stiften til savkædens stramning (18) som vist i figur B.

Bemærk: Det kan være nødvendigt at justere positionen af stiften til savkædens stramning (18), for at den kan gå korrekt i indgreb med slidsen i sværdet ved at dreje hjulet til savkædens stramning (7).

- ◆ Når den er på plads, skal du dreje hjulet til savkædens stramning (7) med hånden for foreløbigt at stramme enheden og holde den på plads.
- ◆ Mens du holder sværdet stille, skal kædehjulets dæksel (6) sættes på plads. Sørg for, at tappen (19) på dækslet flugter med slidsen (20) i hovedhuset som vist i figur C. Drej låseknappen til justering af sværd (8) med uret, indtil den sidder tæt, og løsn derefter knappen (8) en hel omgang, så savkæden kan spændes korrekt.
- ◆ Følg instruktionerne til "Justering af savkædens stramning" i det næste afsnit.

Justering af savkædens stramning

Advarsel! Skarp savkæde. Brug altid beskyttelseshandsker ved håndtering af savkæden. Savkæden er skarp, og man kan skære sig på den, selv om den ikke kører.

Advarsel! Skarp roterende savkæde. For at forhindre utilsigtet drift skal det sikres, at værktøjet frakobles, inden der foretages følgende handlinger. I modsat fald kan der opstå alvorlige personskader.

- ◆ Mens saven er på en fast overflade, skal du kontrollere kædens (5) spænding. Stramningen er korrekt, når savkæden springer tilbage efter at være trukket 3 mm væk fra sværdet (4) med let kraft af langfingeren og tommelfingeren, som vist i fig. D.
- ◆ For at justere savkædens stramning skal du løsne låseknappen til justering af sværd (8) og dreje hjulet til savkædens stramning (7) mod toppen af saven for at øge spændingen som vist i figur E. Stram låseknappen til justering af sværd, indtil den sidder godt fast, efter du har sikret dig, at savkæden (5) sidder tæt omkring sværdet (4).
- ◆ Der må ikke være nogen "nedbøjning" mellem sværdet og kæden på undersiden, som vist i figur F.
- ◆ Når savkædens stramning er korrekt, skal låseknappen til justering af sværd spændes.
- ◆ Savkæden må ikke strammes for meget, da det vil medføre større slid og reducere sværdets og savkædens levetid.
- ◆ Når savkæden er ny, skal stramningen kontrolleres ofte (efter frakobling af værktøjet) under de første 2 timers brug, da en ny savkæde strækker sig en smule.

Udskiftning af savkæden

Advarsel! Skarp savkæde. Brug altid beskyttelseshandsker ved håndtering af savkæden. Savkæden er skarp, og man kan skære sig på den, selv om den ikke kører.

Advarsel! Skarp roterende savkæde. For at forhindre utilsigtet drift skal det sikres, at værktøjet frakobles, inden der foretages følgende handlinger. I modsat fald kan der opstå alvorlige personskader.

- ◆ Drej låseknappen til justering af sværd (8) mod uret for at reducere savkædens stramning.
- ◆ Fjern kædebeskytteren (6), som beskrevet i afsnittet "Montering af sværdet og savkæden".
- ◆ Løft den slidte savkæde (5) ud af fordybningen i sværdet (4).
- ◆ Anbring den nye savkæde i åbningen af sværdet, mens du sørger for, at savtænderne vender i den rigtige retning, ved at matche pilen på savkæden med grafikken på kædebeskytteren (6) vist på figur G.
- ◆ Følg de tidligere instruktioner til Montering af sværdet og savkæden samt justering af savkædens stramning.

Automatisk smøresystem

Denne kædesav er udstyret med et automatisk smøresystem, der holder savkæden og sværdet smurt kontinuerligt. Indikatoren for oliestand (13) viser oliestanden i kædesaven.

Hvis oliestanden er mindre end kvart fuld, skal du frakoble kædesaven og fylde den passende olie på.

Bemærk: Brug en sværd- og savkædeolie af høj kvalitet for korrekt smøring af savkæde og sværd. Som en midlertidig erstatning kan en ikke-rensende SAE30 motorolie bruges. Det anbefales at bruge en vegetabilisk baseret sværd- og savkædeolie ved beskæring af træer. Mineraliske olier anbefales ikke, da de kan beskadige træer. Brug aldrig spildolie eller meget tyk olie. De vil kunne beskadige kædesaven.

Påfyldning af oliebeholderen

- ◆ Fjern oliedækslet (12), og fyld beholderen med den anbefalede savkædeolie, indtil oliestanden har nået toppen af indikatoren for oliestand (13).
- ◆ Sæt oliedækslet på igen.
- ◆ Sluk ind imellem kædesaven, og kontrollér indikatoren for oliestand for at sikre, at sværdet og savkæden får tilstrækkelig olie.

Fastgørelse af forlængerledning

Der er indbygget en forlængerledningsholder (11) i kontakthåndtaget. Det forhindrer, at forlængerledningen bliver trukket ud.

- ◆ Fordobl forlængerledningen, og indsæt den i åbningen (21) i enden af håndtagsområdet som vist i figur H. Sæt løkken, der er dannet ved at fordoble ledningen, over ledningsholderen (11). Træk forsigtigt i ledningen for at sikre, at den sidder godt fast i håndtaget. Sæt forlængerledningens stikforbindelsesende ind i kædesavens strømledning (12).

Transport af sav

- ◆ Dæk altid sværdet (4) med sværddækslet (9) (figur J) ved transport af saven.
- ◆ Hver gang enheden ikke bruges, skal fronthåndskærmen (3) skubbes fremad, hvilket isolerer enheden. Brugeren bør ikke bevæge sig nogen steder med denne aktiveret.

Betjening af kædesaven

Advarsel! Læs og forstå alle instruktioner. Manglende overholdelse af alle nedenstående instruktioner kan medføre elektrisk stød, brand og/eller alvorlig personskade.

Sådan tændes og slukkes værktøjet

- ◆ For at tænde for værktøjet skal du trykke på startspærreknappen (2) og trykke på udløserkontakten (1), som vist i figur H. (Når værktøjet kører, kan du slippe startspærreknappen.)
- ◆ Hvis du vil slukke for værktøjet, skal du slippe udløserkontakten.

Bemærk: Det er ikke muligt at tænde for værktøjet, hvis fronthåndskærmen (3) ikke er i den "indstillede" position.

Sådan indstilles fronthåndskærmen

- ◆ Kontrollér, at værktøjet er afbrudt ved stikkontakten.
- ◆ Træk fronthåndskærmen (3) tilbage i den "indstillede" position.
- ◆ Værktøjet er nu klar til brug.

Sådan virker fronthåndskærmen

I tilfælde af tilbageslag kommer din venstre hånd i kontakt med fronthåndskærmen (3) og skubber den fremad mod arbejdsemnet, så værktøjet standses på en brøkdæl af et sekund.

Fældning (fig. K, L og M)

Uerfarne brugere bør ikke forsøge at fælde træer. Brugeren kan komme til skade eller beskadige ejendom, hvis faldretningen ikke kontrolleres, træet kan splintre, eller beskadigede/døde grene kan falde ned under skæring: Sikkerhedsafstanden mellem et træ, der skal fældes, og tilskuere, bygninger og andre genstande er mindst 2 1/2 gange træets højde. Enhver anden person, bygning eller genstand inden for denne afstand risikerer at blive ramt af træet, når det fældes.

Før du forsøger at fælde et træ:

- ◆ Kontrollér, at der ikke er lokale vedtægter eller bestemmelser, som forbyder eller begrænser fældning af træer.
- ◆ Tag alle forhold, som kan påvirke faldretningen, i betragtning, herunder:
 - ◆ Den tilsigtede faldretning.
 - ◆ Træets naturlige hældning:
 - ◆ En usædvanligt tung stammestruktur eller forrådnelse.
 - ◆ Omkringstående træer og hindringer inkl. el-ledninger og underjordiske rør.
 - ◆ Vindens hastighed og retning.

Planlæg en sikker flugtvej fra faldende træer eller grene.

Sørg for, at denne flugtvej er fri for genstande, der kan forhindre eller besværliggøre bevægelse. Husk, at vådt græs og nyskåret bark er glat.

- ◆ Forsøg ikke at fælde træer, hvis diameter er større end kædesavens skærelængde:
- ◆ Sav et retningsnit for at bestemme faldretningen.
- ◆ Lav et vandret snit til en dybde af mellem 1/5 og 1/3 af træets diameter vinkelret på faldlinjen nederst på træet (fig. K).
- ◆ Lav yderligere et snit ovenfra, så det skærer det første i en vinkel på omkring 45°.
- ◆ Skær et enkelt vandret fældningsnit fra den anden side 25 mm til 50 mm over midten af retningsnittet (fig. L). Undgå at skære igennem til retningsnittet, da du kan miste kontrollen med faldretningen.
- ◆ Driv én eller flere kiler ind i dette snit for at åbne det og få træet til at falde (fig. M).

Beskæring af træer

Kontroller, at der ikke er lokale vedtægter eller bestemmelser, som forbyder eller begrænser beskæring af træer. Beskæring må kun udføres af erfarne brugere, da der er forøget risiko for, at savkæden klemmes fast og medfører tilbageslag.

Før beskæring skal du overveje de forhold, der påvirker faldretningen, bl.a.:

- ◆ Længde og vægt af den gren, der skal skæres af.
 - ◆ En usædvanligt tung stammestruktur eller forrådnelse.
 - ◆ Omkringstående træer og hindringer inkl. el-ledninger.
 - ◆ Vindens hastighed og retning:
 - ◆ At grenen flettes ind i andre grene.
- Brugeren skal overveje adgangen til grenen og faldretningen. Grenen vil sandsynligvis svinge mod træstammen. Ud over brugeren er der fare for tilskuere, genstande og ejendom under grenen.
- ◆ For at undgå splintring skal der først skæres et snit opad til maks. en tredjedel af grenens tykkelse.
 - ◆ Det andet snit skæres nedefter, så det møder det første.

Kapning (fig. N, O og P)

Den måde, du skal skære på, afhænger af, hvordan stammen er understøttet. Brug en savbuk, når det er muligt.

Start altid et snit med kæden kørende og den takkede kant (22) i berøring med træet (fig. N).

Færdiggør snittet med en drejebevægelse af den takkede kant mod træet.

Hvis stammen er understøttet i hele sin længde:

- ◆ Lav et nedadgående snit, men undgå at skære i jorden, da dette hurtigt vil kunne forringe savkæden.

Hvis stammen er understøttet i begge ender:

- ◆ Skær først en tredjedel ned for at undgå splintring, og skær op for at møde det første snit.

Hvis stammen er understøttet i den ene ende:

- ◆ Skær først en tredjedel opad for at undgå splintring, og skær derefter nedad for at forhindre splinting.

Hvis du står på en skråning:

- ◆ Stå altid oven for arbejdsstedet.

Hvis du vil save i en træstamme, der ligger på jorden (fig. O)

- ◆ Fastgør arbejdsemnet vha. klodser eller kiler. Brugeren eller tilskuere må ikke støtte stammen ved at sidde eller stå på den. Sørg for, at savkæden ikke berører jorden.

Ved brug af en savbuk (fig. P):

Dette anbefales kraftigt, når det er muligt.

- ◆ Anbring stammen, så den ligger stabilt. Skær altid på ydersiden af savbakkens arme. Brug klemmer eller remme til at fastgøre arbejdsømmet.

Afskæring af grene (fig. Q)

Fjernelse af grene fra et faldet træ. Ved afskæring af grene skæres de nederste store grene ikke af, så de kan holde stammen oppe fra jorden. Fjern de små grene med ét snit. Grene, der er i spænd, skal skæres fra den nederste del af grenen mod toppen for at undgå, at kædesaven sætter sig fast. Afskær grene fra modstående side, og hold træstammen mellem dig selv og saven. Skær aldrig med saven mellem benene, eller mens du sidder overskrævs på den gren, der skal skæres.

Fejlsøgning

Problem	Mulig årsag	Mulig løsning
Værktøjet vil ikke starte	Låseknappen ikke trykket ind.	Tryk på låseknappen.
	Fronthåndskærm i bremseposition	Nulstil fronthåndskærm
	En sikring er gået	Udskift sikringen
	Fejlstrømsbeskyttelsen har slået fra	Kontroller fejlstrømsbeskyttelsen
	Nedledningen er ikke sat i	Kontroller strømforsyningen.
Savkæden stopper ikke i løbet af 2 sekunder, når værktøjet slukkes	Savkædens stramning er for løs	Kontroller savkædens stramning
Sværdet/savkæden virker varmløgende	Oliebeholder tom	Kontroller oliebeholder-niveaue
	Oliehul i sværdet blokeret	Rengør oliehullerne, og rens rillen omkring kanten af sværdet.
	Savkædens stramning er for stram	Kontroller savkædens stramning
	Sværdets trækspids trænger til smøring	Smør sværdets trækspids
Kædesaven saver ikke ordentligt	Savkæden er sat på baglæns	Kontroller/korriger savkædens retning
	Savkæden er sløv	Slib eller udskift savkæden
Kædesaven bruger ikke olie	Snavs i beholderen	Tap olien af beholderen, og fyld nu olie på
	Oliehul i dæksel blokeret	Fjern snavs fra hullet
	Snavs i sværdet	Fjern snavs, og rengør sværdet
	Snavs i olieudløbet	Fjern snavs

Vedligeholdelse

Regelmæssig vedligeholdelse sikrer en lang effektiv levetid for værktøjet. Vi anbefaler, at du udfører følgende kontrol med jævne mellemrum.

Advarsel! Før udførelse af nogen form for vedligeholdelse på elværktøj:

- ◆ Sluk værktøjet, og træk ledningen ud af stikkontakten.

Oliestand

Niveaue i beholderen må ikke komme ned under kvart fuld.

Savkæden og sværdet (fig. F)

- ◆ Tag sværdet (4) og savkæden (5) af, hver gang saven har været brugt nogle timer og før opbevaring, og rengør dem omhyggeligt.
- ◆ Kontrollér, at skærmen er ren og fri for fremmedlegemer.

Advarsel! Overspænd ikke.

- ◆ Trækspidsen skal smøres gennem træksmørhullet. Derved sikres en jævn fordeling af sliddet omkring sværdskinnerne.

Slibning af savkæden

Hvis værktøjet skal yde sit bedste, er det vigtigt at holde tænderne på savkæden skarpe.

Udskiftning af slidte savkæder

Udskiftningssavkæder fås i detailhandelen eller hos BLACK+DECKER-forhandlere. Brug altid originale reservedele.

Udskiftning af savkæden:

BECS1835 35 cm kæde A6235CS
BECS2040 40 cm kæde A6240CS
BECS2245 45 cm kæde A6245CS

Savkædens skarphed

Skærerne på savkæden bliver øjeblikkeligt sløve, hvis de berører jorden eller et søm under savning.

Savkædens stramning

Kontroller regelmæssigt savkædens stramning.

Hvad du skal gøre, hvis kædesaven skal repareres.

Denne kædesav er fremstillet i overensstemmelse med de relevante sikkerhedsforskrifter. Reparationer må kun foretages af en dertil kvalificeret person, som bruger originale reservedele. I modsat fald kan der opstå betydelig fare for brugeren. Vi anbefaler, at du opbevarer denne brugsanvisning et sikkert sted.

Udskiftning af lysnetstik (kun U.K. & Irland)

Hvis et nyt lysnetstik skal monteres:

- ◆ Bortskaf det gamle stik på en sikker måde.
- ◆ Slut den brune ledning til den strømførende klemme på det nye stik.
- ◆ Tilslut den blå ledning til den neutrale klemme.

Advarsel! Der skal ikke tilsluttes til jordklemmen. Følg de monteringsinstruktioner, der følger med stik af god kvalitet. Anbefalet sikring: 10 A.

Miljøbeskyttelse



Særskilt bortscaffelse. Produkter og batterier mærket med dette symbol må ikke bortscaffes sammen med normalt

Produkter og batterier indeholder materialer, der kan genvindes eller genbruges og således reducere efterspørgslen efter råvarer.

Genbrug venligst elektriske produkter og batterier i henhold til lokale bestemmelser. Yderligere informationer findes på www.2helpU.com

Tekniske data

		BECS1835 Type 1	BECS2040 Type 1	BECS2245 Type 1
Spænding	V _{ac}	230 V	230 V	230 V
Sværlængde	cm	35	40	46
Maks. sværlængde	mm	419	459	511
Savkædehastighed (ubelastet)	m/sm	14,5	14,5	14,5
Maks. skærelængde	mm	319	368	407
Oliekapacitet	ml	170	170	170
vægt (uden savkæde, sværd, olie)	kg	4,1	4,1	4,3

BECS1835 Støjværdi målt i henhold til EN62841:

LpA (lydtryk) 99 dB(A), usikkerhed (K) 3 dB(A)
LwA (lydeffekt) 109 dB(A), usikkerhed (K) 1,6 dB(A)

BECS1835 Samlede vibrationsværdier (triaksial vektorsum) i henhold til EN 602841:

Værdi for udsendelse af vibration (a_{H}) = 3,8 m/s², usikkerhed (K) = 1,5 m/s²

BECS2040 Støjværdi målt i henhold til EN62841:

LpA (lydtryk) 100 dB(A), usikkerhed (K) 3 dB(A)
LwA (lydeffekt) 110 dB(A), usikkerhed (K) 1,8 dB(A)

BECS2040 Samlede vibrationsværdier (triaksial vektorsum) i henhold til EN 602841:

Værdi for udsendelse af vibration (a_{H}) = 5,2 m/s², usikkerhed (K) = 1,5 m/s²

BECS2245 Støjværdi målt i henhold til EN62841:

LpA (lydtryk) 98 dB(A), usikkerhed (K) 3 dB(A)
LwA (lydeffekt) 108 dB(A), usikkerhed (K) 1,6 dB(A)

BECS2245 Samlede vibrationsværdier (triaksial vektorsum) i henhold til EN 602841:

Værdi for udsendelse af vibration (a_{H}) = 4,1 m/s², usikkerhed (K) = 1,5 m/s²

EF-overensstemmelseserklæring

MASKINDIREKTIV



BECS1835, BECS2040, BECS2245 Kædesav

Black & Decker erklærer, at produkterne beskrevet under "Tekniske data" er i overensstemmelse med: 2006/42/EF, EN 62841-1:2015+A11:2022, EN 62841-4-1:2020 2000/14/EC, bilag V

BECS2040: LWA (målt lydeffektniveau) 110 dB(A), usikkerhed (K) = 1,8 dB (A),

LWA (garanteret lydeffekt) 112 dB (A)

BECS1835: Målt lydeffektniveau LWA: 109 dB(A). K = 1,6 dB(A).

Den garanterede lydeffekt LWA: 111 dB(A).

BECS2245 : Målt lydeffektniveau LWA: 108 dB(A). K = 1,6 dB(A).

Den garanterede lydeffekt LWA: 110 dB(A)

Disse produkter overholder også direktivet

2014/30/EU og 2011/65/EU.

Kontakt Black & Decker på nedenstående adresse eller se vejledningens bagside for at få yderligere oplysninger.

Undertegnede er ansvarlig for kompilering af den tekniske fil og udsteder denne erklæring på vegne af Black & Decker .

Patrick Diepenbach

Patrick Diepenbach
Generalidirektør, Benelux
Black & Decker,
Egide Walschaertsstraat 14-18
2800 Mechelen, Belgien
17/02/2023

Garanti

Black & Decker er sikker på kvaliteten af sine produkter og giver forbrugerne en garanti på 24 måneder * fra købsdatoen. Garantien er et tillæg til forbrugernes lovmæssige rettigheder og påvirker ikke disse.

Garantien er gyldig inden for medlemsstaterne af Den Europæiske Union med Det Europæiske Frihandelsområde og Storbritannien.

Når du gør krav på garantien, skal kravet være i overensstemmelse med Black & Decker vilkår og betingelser, og du skal indsende dokumentation for købet til sælgeren eller til en autoriseret reparatør. Vilkår og betingelser for Black & Decker 2 års garanti og placeringen af dit nærmeste autoriserede serviceværksted kan fås på internettet på www.2helpU.com, eller ved at kontakte dit lokale Black & Decker kontor på den adresse, der er angivet i denne vejledning.

Besøg venligst vores websted www.blackanddecker.co.uk for at registrere dit nye BLACK+DECKER produkt og modtage opdateringer om nye produkter og specielle tilbud.

Käyttötarkoitus

BLACK+DECKER™ BECS1835, BECS2040, BECS2245 -ketjusaha on tarkoitettu puiden kaatoon ja tukkien sahaamiseen. Tämä työkalu on tarkoitettu vain yksityiskäyttöön.

Turvallisuusohjeet

Sähkötyökalun yleiset turvallisuusvaroitukset



Varoitus! Lue kaikki laitteen mukana toimitetut varoitukset, käyttöohjeet ja tekniset tiedot.

Jos kaikkia ohjeita ei noudateta, on olemassa sähköiskun, tulipalon ja/tai vakavan henkilövahingon vaara.

Säästä kaikki varoitukset ja ohjeet tulevaa käyttöä varten. Ohjeissa käytetty käsite "sähkötyökalu" tarkoittaa verkkokäyttöisiä sähkötyökaluja (verkkojohdolla varustettuja) ja akkukäyttöisiä sähkötyökaluja (ilman verkkojohtoa).

1. Työalueen turvallisuus

- Pidä työalue puhtaana ja hyvin valaistuna.** Onnettomuuksia sattuu herkemmin epäsiistissä tai huonosti valaistussa ympäristössä.
- Älä käytä sähkötyökalua räjähdysalttiissa ympäristössä, jossa on syttyvää nestettä, kaasua tai pölyä.** Sähkötyökalujen aiheuttamat kipinät voivat sytyttää pölyn tai kaasut.
- Pidä lapset ja sivulliset loitolla sähkötyökalua käyttäessäsi.** Keskittymiskyvyn herpaantuminen voi aiheuttaa hallinnan menettämisen.

2. Sähköturvallisuus

- Sähkötyökalun pistokkeen on sovittava pistorasiaan. Älä koskaan tee pistokkeeseen mitään muutoksia. Älä yhdistä maadoitettua sähkötyökalua jatkojohtoon.** Sähköiskun vaara vähenee, jos pistokkeisiin ei tehdä muutoksia ja ne yhdistetään vain niille tarkoitettuihin pistorasioihin.
- Vältä koskettamasta maadoitettuja pintoja, kuten putkia, lämpöpattereita, liesiä tai jääkaappeja.** Voit saada sähköiskun, jos kehosi on maadoitettu.
- Älä altista sähkötyökalua sateelle tai kosteudelle.** Sähkötyökaluun menevä vesi lisää sähköiskun vaaraa.
- Älä käsittele virtajohtoa kovakouraisesti. Älä kannata työkaluja sähköjohdosta tai vedä pistoketta pistorasiasta sähköjohdon avulla. Pidä sähköjohto kaukana kuumuudesta, öljystä, terävistä reunoista tai liikkuvista osista.** Vaurioituneet tai soikeutuneet johdot lisäävät sähköiskun vaaraa.
- Käyttäessäsi sähkötyökalua ulkona käytä ainoastaan ulkokäyttöön soveltuvaa jatkojohtoa.** Ulkokäyttöön tarkoitettujen sähköjohdon käyttäminen vähentää sähköiskun vaaraa.

- Jos sähkötyökalua on välttämättä käytettävä kosteassa paikassa, käytä vikavirtasuojalla (RCD) suojattua virtalähdettä.** Tämä vähentää sähköiskun vaaraa.
- #### 3. Henkilöturvallisuus
- Ole valpas, keskity työhön ja noudata tervettä järkeä sähkötyökalun käytössä. Älä käytä tätä työkalua ollessasi väsynyt tai alkoholin, huumeiden tai lääkkeiden vaikutuksen alaisena.** Keskittymisen herpaantuminen hetkeksikin sähkötyökalua käytettäessä voi aiheuttaa vakavan henkilövahingon.
 - Käytä henkilökohtaisia suojavarusteita. Käytä aina suojalaseja.** Hengityssuojaimen, lukumattomien turvajalkineiden, kypärän ja kuulonsuojaimen käyttäminen vähentää henkilövahinkojen vaaraa.
 - Vältä tahatonta käynnistämistä. Varmista, että kytkin on OFF-asennossa, ennen kuin liität laitteen virtalähteeseen ja/tai akkuun, nostat laitteen tai kannat sitä.** Sähkötyökalun kantaminen sormi virtakytkimellä lisää onnettomuusvaaraa.
 - Irrota mahdollinen säätö- tai kiintoavain ennen kuin käynnistät sähkötyökalun.** Sähkötyökalun pyöriivään osaan kiinni jäänyt avain voi johtaa loukkaantumiseen.
 - Älä kurkotta. Huolehdi siitä, että sinulla on koko ajan tukeva jalansija ja hyvä tasapaino.** Näin voit hallita sähkötyökalua paremmin odottamattomissa tilanteissa.
 - Käytä tarkoitukseen soveltuvia vaatteita. Älä käytä löysiä vaatteita tai koruja. Pidä hiukset, vaatteet ja kädet loitolla liikkuvista osista.** Löysät vaatteet, korut tai pitkät hiukset voivat tarttua liikkuviin osiin.
 - Jos työkalun voi liittää pölynimuriin, tarkista, että liitos on tehty asianmukaisesti ja että laitteita käytetään oikealla tavalla.** Pölyn ottaminen talteen voi vähentää pölyn aiheuttamia vaaroja.
 - Vaikka käyttäisit usein työkaluja ja sinulla olisi niistä hyvä tuntemus, älä jätä lukematta työkalun turvallisuusohjeita.** Huolimattomuus voi johtaa vakaviin henkilövahinkoihin jopa sekunnin murto-osassa.
- #### 4. Sähkötyökalujen käyttö ja hoito
- Älä ylikuormita sähkötyökalua. Valitse käyttötarkoituksen kannalta oikea sähkötyökalu.** Sähkötyökalu toimii paremmin ja turvallisemmin, kun sitä käytetään sille suunniteltuun käyttötarkoitukseen.
 - Älä käytä sähkötyökalua, jota ei voida käynnistää ja pysäyttää virtakytkimestä.** Jos sähkötyökalua ei voi hallita kytkimen avulla, se on vaarallinen ja se on korjattava.
 - Irrota pistotulppa pistorasiasta ja/tai akku laitteesta ennen kuin suoritat säätöjä, vaihdat tarvikkeita tai siirät sähkötyökalun varastoitavaksi.**

Näin voit vähentää vahingossa käynnistymisen aiheuttaman henkilövahingon vaaraa.

- d. Säilytä sähkötyökalut poissa lasten ulottuvilta, kun niitä ei käytetä. Älä anna sähkötyökalua sellaisen henkilön käyttöön, joka ei tunne sitä tai joka ei ole tutustunut tähän käyttöohjeeseen. Sähkötyökalut ovat vaarallisia kouluttamattomien käyttäjien käsissä.
- e. Hoida sähkötyökalusi huolella. Tarkista, että liikkuvat osat toimivat moitteettomasti ja etteivät ne ole puristuksessa. Tarkista myös, ettei työkalussa ei ole murtuneita tai vahingoittuneita osia, jotka saattaisivat vaikuttaa haitallisesti sen toimintaan. Jos havaitset vaurioita, korjauta sähkötyökalu ennen niiden käyttämistä. Huonosti kunnossapidetyt sähkötyökalut aiheuttavat onnettomuuksia.
- f. Pidä leikkausterät terävinä ja puhtaina. Kunnossa pidettyjen leikkaavien teräviä reunoja sisältävien työkalut todennäköisyys jumiutua vähenee, ja niitä on helpompi hallita.
- g. Käytä sähkötyökaluja, tarvikkeita, vaihtoteriä yms. näiden ohjeiden mukaisesti. Ota tällöin huomioon työolosuhteet ja suoritettava toimenpide. Jos sähkötyökalua käytetään näiden ohjeiden vastaisesti, voi syntyä vaaratilanne.
- h. Pidä kahvat ja kädensijat kuivina ja puhtaina öljystä ja rasvasta. Liukkaat kahvat ja rasvaiset kädensijat estävät työkalun turvallisen käsittelyn ja hallinnan odottamattomissa tilanteissa.
5. Huolto
- a. Korjauta sähkötyökalu koulutetulla ja ammattitaitoisella henkilöllä ja hyväksy korjauksiin vain alkuperäisiä varaosia. Tämä varmistaa sähkötyökalun turvallisuuden.

Ketjusahan yleiset turvallisuusvaroitukset



Varoitus! Lisäturvavaroitukset ketjusahoille

- ◆ Ole huolellinen, ettei teräketju osu itseesi sahauskeskittämisen vaiheessa. Varmista ennen ketjusahan käynnistämistä, ettei teräketju kosketa mihinkään. Jos tarkkaavaisuutesi pääsee herpaantumaan sahauskeskittämisen aikana, esimerkiksi vaatteesi tai jäsenesi voivat takertua teräketjuun.
 - ◆ Pidä ketjusahaa oikealla kädellä sen takakahvasta ja vasemmalla sen etukahvasta. Vastakkainen ote saattaa lisätä onnettomuusrisiä. Älä koskaan käytä vastakkaista otetta.
 - ◆ Pitele ketjusahaa vain sen eristävästä tartuntapinnosta, sillä teräketju voi osua piilossa oleviin sähköjohtoihin.
- Teräketjun kosketus jännitteisen johtimen kanssa voi tehdä ketjusahan paljaista metalliosista jännitteisiä ja aiheuttaa sähköiskun käyttäjälle.
- ◆ Käytä suojalaseja. Kuulonsuojaimet, kypärät sekä käsien ja jalkojen suojavarusteet ovat suositeltavia. Kunnolliset suojavarusteet vähentävät lentävien puunsäliöjen ja teräketjun kosketusten aiheuttamia onnettomuuksia.
 - ◆ Älä käytä ketjusahaa puussa, tikkailla, katolta tai epävakaalta tuelta. Muutoin ketjusahan käytöstä voi aiheutua vakavia henkilövahinkoja.
 - ◆ Käytä suojaavia jalkineita ja seiso sahatessasi tasaisella ja tukevalla alustalla. Sahaaminen liukkaalla tai epävakaalla työskentelypaikalla, kuten tikapuilla, voi johtaa tasapainon tai sahan hallinnan menetykseen.
 - ◆ Ole varovainen katkaistessasi jännittyneenä olevaa oksaa, sillä se saattaa ponnahtaa yllättävään suuntaan. Kun puun jännitys laukeaa ponnahtava oksa voi osua käyttäjään ja/tai työkaluun ja aiheuttaa hallinnan menetyksen.
 - ◆ Ole hyvin varovainen sahatessasi pensaita tai vesakkoa. Taipuisat oksat voivat tarttua teräketjuun ja iskeytyä sahaajaan tai horjuttaa hänen tasapainoaan.
 - ◆ Kanna ketjusahaa etukahvasta virta katkaistuna ja terä suunnattuna itsestäsi pois päin. Aseta laipan suojuksen paikalleen sahan kuljetuksen ja varastoinnin ajaksi. Käsittele ketjusahaa huolellisesti, ettet vahingossa kosketa pyörivää teräketjua.
 - ◆ Noudata voitelua, teräketjun kireyttä ja laipan sekä teräketjun vaihtoa koskevia ohjeita. Väärin kiristetty tai voitelematon teräketju voi katketa tai lisätä takapotkun vaaraa.
 - ◆ Käytä sahaa vain oksien ja ohuiden puiden katkaisuun. Älä käytä sahaa muuhun kuin sille suunniteltuun tarkoitukseen. Esimerkki: älä sahaa ketjusahalla metallia, muovia, tiiltä tai muuta rakennusmateriaalia. Ketjusahan käyttö muuhun kuin sille tarkoitettuun tehtävään voi johtaa vaarallisiin tilanteisiin.
 - ◆ Älä yritä kaataa puuta ennen kuin olet ymmärtänyt kaikki riskit ja niiden välttämiseen tarvittavat toimenpiteet. Käyttäjät tai sivulliset voivat vammautua vakavasti puun kaatamisen aikana.
 - ◆ Noudata kaikkia ohjeita, kun poistat tukoksia, varastoit tai huollat ketjusahaa. Varmista, että virtajohto on irrotettu sähköverkosta. Jos ketjusaha käynnistyy yllättäen kiinni juuttuneesta materiaalin poistamisen tai huollon aikana, seurauksena voi olla vakava henkilövahinko.
 - ◆ Pukeudu tiukasti istuviin ja suojaaviin vaatteisiin ja käytä suojakypärää, visiiriä/suojalaseja, kuulonsuojaimia, luistamattomia turvajalkineita, suojahousuja ja vahvoja nahkakäsineitä.

- ◆ Pysyttele poissa putoavien oksien alta.
- ◆ Turvallinen etäisyys katkaistavan oksan ja sivullisten, rakennusten ja muiden rakenteiden välillä on vähintään 2,5 kertaa oksan pituus. Putoavat oksat voivat osua tätä etäisyyttä lähempänä oleviin sivullisiin, rakennuksiin tai muihin rakenteisiin ja aiheuttaa vaaratilanteita.
- ◆ Suunnittele turvallinen poistumisreitti putoavien oksien luota. Varmista, että aikomassasi väistämisuunnassa ei ole siirtymistä rajoittavia esteitä. Muista, että märkä ruoho ja juuri irronnut puunkuori ovat liukkaista.
- ◆ Varmista, että joku on lähellä (mutta turvallisen etäisyyden päässä) onnettomuuden varalta.
- ◆ Älä käytä työkalua ollessasi puussa, tikkailla tai jollakin muulla epävakaaalla alustalla.
- ◆ Huolehdi siitä, että sinulla on koko ajan tukeva jalansija ja hyvä tasapaino.
- ◆ Pidä työkalusta kiinni tukevasti molemmin käsin moottorin käydessä.
- ◆ Teräketjun pyöriessä varo, ettei laipan kärki osu mihinkään kohteeseen.
- ◆ Aloita katkaisu vain teräketjun pyöriessä täydellä nopeudella.
- ◆ Älä sahaa vanhasta sahausurasta. Tee aina uusi sahausviilto.
- ◆ Tarkkaile oksan liikkeitä, sillä katkaisukohtaan saattaa kohdistua voimaa, joka johtaa teräketjun takertumiseen katkaisukohtaan.
- ◆ Älä yritä katkaista oksaa, joka on paksumpi kuin työkalun sahausvyvyys.
- ◆ Aseta teräketjun ketjukoppa aina teräketjun päälle, kun säilytät tai kuljetat työkalua.
- ◆ Pidä teräketju terävänä ja oikealla kireydellä. Tarkista kireys säännöllisesti.
- ◆ Katkaise työkalusta virta, irrota pistoke sähköverkosta ja anna teräketjun pysähtyä ennen säätö-, huolto- tai ylläpitotoimien suorittamista.
- ◆ Käytä aina vain alkuperäisiä varaosia ja lisävarusteita.
- ◆ Pidä kädensijat kuivina ja puhtaina öljystä ja rasvasta. Rasvaiset tai öljyiset kahvat ovat liukkaat, ja ote heiltä ei nirsuista helposti.
- ◆ Kaatopiikistä voi tulla terävä sahan käyttöaikana. Käsittele varoen.
- ◆ Terälevy voi kuumentua laitetta käsitellessä. Käsittele varoen.

Takapotkun syyt ja niiden estäminen

Takaiskun voi aiheuttaa laipan kärjen osuminen johonkin tai teräketjun jääminen puristuksiin.

Laipan kärjen osuminen kiinteään kohteeseen voi potkaista pyörivän ketjun voimakkaasti päin sahaajaa.

Teräketjun puristuminen laipan yläpintaan voi myös aiheuttaa nopean takaiskun.

Molemmat edellä kuvatuista tilanteista voivat johtaa sahan hallinnan menetykseen ja loukkaantumiseen. Älä luota pelkästään ketjusahan turvalaitteisiin. Ketjusahan käyttäjän tulee itse huolehtia siitä, etteivät sahausolosuhteet aiheuta vaaratilanteita.

Takapotku on seuraus sahan vääristä käyttötavoista tai -olosuhteista ja sen voi välttää noudattamalla alla kuvattuja varotoimia.

- ◆ **Tartu sahaan lujalla otteella kummastakin kahvasta. Kun kädet pitävät kiinni sahasta, asetu sellaiseen asentoon, että voit vastustaa takapotkua.** Sahaaja pystyy hyvin vastustamaan takapotkun voimaa noudattamalla esitettyjä varotoimia. Älä hellitä otettasi sahasta kesken työn.
- ◆ **Älä kurkota liikaa älkää sahaa hartiatason yläpuolella.** Näin estät tahattomat kärkikosketukset ja pystyt paremmin hallitsemaan sahaa yllättävissä tilanteissa.
- ◆ **Käytä varaosina vain valmistajan suosittelemia laippoja ja teräketjuja.** Sahaan sopimattomat laipat tai teräketjut voivat johtaa ketjurikkoihin ja/tai takapotkuihin.
- ◆ **Noudata valmistajan antamia teräketjun teroitus- ja huolto-ohjeita.** Syvyysohjaimen madaltaminen voi lisätä sahan alltiutta takapotkuihin.

Ketjusahan turvasuositukset

- ◆ Ensikertalaisten sahan käyttäjien on erittäin suositeltavaa kysyä käytännön ohjeita ja neuvoja kokeneelta sahaajalta. Sahan käyttöä kannattaa opetella sahaamalla halkoja sahapukissa.
- ◆ Ketjusahan kuljetuksen aikana on suositeltavaa pitää saha asennossa, jossa teräketju osoittaa taaksepäin.
- ◆ Pidä ketjusaha hyvässä kunnossa, kun se ei ole käytössä. Jos ketjusaha on pitkiä aikoja käyttämättä, irrota teräketju ja laippa ja säilytä ne öljyyn upotettuna. Säilytä ketjusahaa kuivassa, turvallisessa paikassa poissa lasten ulottuvilta.
- ◆ Aseta virtajohto niin, että se ei tartu sahatessa oksiin tai muihin vastaaviin esineisiin sahaamisen aikana.
- ◆ Öljysäiliö kannattaa tyhjentää ennen varastointia.
- ◆ Varmista, että seisot tukevalla alustalla. Katso etukäteen turvallinen poistumisreitti kaatuvan puun tieltä.
- ◆ Ohjaa puun kaatumissuuntaa kiiloilla. Kiilojen avulla voit myös estää ketjun ja laipan juuttumisen leikkausuraan.
- ◆ Teräketjun huoltaminen. Pidä teräketju terävänä ja sopivan tiukalla laipassa. Huolehdi siitä, että teräketju ja laippa ovat puhtaat ja hyvin öljytyt. Kahvojen tulee olla kuivat, puhtaat ja rasvattomat.

Takapotkun voi aiheuttaa:

- ◆ Sahan kärjen osuminen vahingossa oksiin tai muihin esineisiin ketjun pyöriessä.
- ◆ Terän osuminen puun lähellä tai sisällä olevaan metalliin, betoniin tai muuhun kovaan materiaaliin.
- ◆ Tylsä tai löysä teräketju.

- ◆ Sahaaminen hartiatason yläpuolella.
- ◆ Tarokkaavaisuuden herpaantuminen sahausken aikana.
- ◆ Kurkottaminen. Seiso aina tukevasti ja tasapainossa äläkä kurkuta.
- ◆ Älä sahaa vanhasta sahausurasta. Se voi aiheuttaa takapotkun. Tee joka kerta uusi sahausviilto.
- ◆ Älä käytä ketjusahaa puussa, tikapuilla tai millään epävakaailla alustalla.
- ◆ Jos teet niin, muista, että tällainen työskentelyasento on erittäin vaarallinen.
- ◆ Kun sahaat jännittynyttä oksaa, huomioi, että se voi singahtaa takaisin.

Vältä:

- ◆ Käsitellyn puutavaran sahaamista.
- ◆ Maahan sahaamista.
- ◆ Verkkoaitojen, naulojen ja muiden sellaisten sahaamista.
- ◆ Pensaiden tai aivan pienten puiden sahaamista. Taipuisa oksa voi juuttua teräketjuun ja iskeä sahaajaan horjuttaen hänen tasapainoaan.
- ◆ Älä käytä ketjusahaa hartiatason yläpuolella.
- ◆ Varmista, että joku on lähellä (mutta turvallisien etäisyyden päässä) onnettomuuden varalta.
- ◆ Jos sinun on jostakin syystä kosketettava teräketjua, varmista, että saha on irrotettu verkkovirrasta.
- ◆ Tämän laitteen melutaso voi ylittää 80 dB(A). Tämän vuoksi on suositeltavaa käyttää asianmukaisia kuulonsuojaimia.

Jäännösriskit

Myös muut kuin turvavaroituksissa mainitut riskit ovat mahdollisia laitetta käytettäessä. Nämä riskit voivat liittyä muun muassa virheelliseen tai pitkäaikaiseen käyttöön. Tiettyjä jäännösriskejä ei voi välttää, vaikka noudatat kaikkia turvamääräyksiä ja käytät turvalaitteita. Näitä ovat:

- ◆ Pyörivien tai liikkuvien osien koskettamisen aiheuttamat vahingot.
- ◆ Osia, teriä tai lisävarusteita vaihdettaessa aiheutuneet vahingot.
- ◆ Työkalun pitkäaikaisen käytön aiheuttamat vahingot. Varmista, että pidät säännöllisesti taukoja laitteen pitkäaikaisen käytön aikana.
- ◆ Kuulon heikkeneminen.
- ◆ Työkalua käytettäessä (esimerkiksi puuta, erityisesti tammea, pyökkiä ja MDF-levyjä käsiteltäessä) syntyneen pölyn sisäänhengityksen aiheuttamat terveysriskit.

Tärinä

Teknisissä tiedoissa ja vaatimustenmukaisuusvakuutuksessa ilmoitetut tärinä- ja melupäästöarvot on mitattu EN 62841-standardin testausmenetelmän mukaisesti, ja arvoa voi käyttää työkalujen keskinäiseen vertailuun.

Ilmoitettuja tärinä- ja melupäästöarvoja voi käyttää myös altistumisen alustavaan arviointiin.

Varoitus! Sähkötyökalun käytön aikana mitattu todellinen tärinä- ja melupäästöarvot voi poiketa ilmoitetusta tärinäpäästöarvosta työkalun käyttötavan mukaan. Tärinätaso voi olla ilmoitettua tasoa suurempi.

Kun tärinälle altistumista arvioidaan sen määrittämiseksi, mitä direktiivin 2002/44/EY mukaisia turvatoimenpiteitä vaaditaan sähkötyökaluja säännöllisesti käyttävien henkilöiden suojelemiseksi, tärinälle altistumisen arvioinnissa on otettava huomioon todelliset käyttöolosuhteet ja työkalun käyttötavat. Todellisen käytön lisäksi on kiinnitettävä huomiota myös siihen, milloin työkalu on sammutettuna tai se käy tyhjäkäynnillä.

Työkalun tarrat

Työkalussa on seuraavat kuvakkeet sekä päivämääräkoodi:



Varoitus! Käyttäjän on luettava käyttöohje vahinkojen välttämiseksi.



Älä käytä sahaa sateella tai kosteassa.



Käytä aina kypärää, kuulonsuojaimia ja suojalaseja.



Käytä aina käsineitä.



Käytä aina liukuesteturvajalkineita.



Pidä ketjusahaa aina hyvin molemmilla käsillä.



Älä käytä ketjusahaa yhdellä kädellä.



Kiinnitä huomiota ketjusahan takapotkuun ja vältä kosketusta terälevyn kärkeen.



Varo putoavia esineitä. Pidä sivulliset poissa työalueelta.



Varoitus! Älä pidä kättä lastujen poistoaukon kohdalla.



Teräketjun pyörimissuunta.



Jos virtajohto vaurioituu tai katkeaa, irrota se välittömästi sähköverkosta.



Direktiivin 2000/14/EY mukainen taattu ääniteho.



Direktiivin 2000/14/EY mukainen taattu ääniteho.



Direktiivin 2000/14/EY mukainen taattu ääniteho.

Sähköturvallisuus



Tämä laite on kaksoiseristetty, joten erillistä maadoitusta ei tarvita. Tarkista aina, että verkkovirran jännite vastaa tyyppikilpeen merkittyä jännitettä.

- ◆ Jos virtajohto vahingoittuu, sen vaihtaminen on turvallisuussyistä jätettävä valmistajan tai valtuutetun BLACK+DECKER-huollon tehtäväksi.

Jatkojohdon käyttäminen

- ◆ Käytä aina oikeanlaista jatkojohtoa, joka sopii tämän laitteen virransyöttöliitäntään (katso kohta Tekniset tiedot). Jatkojohdon on oltava ulkokäyttöön soveltuva ja siinä on oltava vastaava merkintä. Laitteen kanssa voidaan käyttää enintään 30 m pitkää 1,5 mm²:n H07RN-F 2 X -jatkajohtoa ilman tehon heikkenemistä. Tarkista jatkojohdon kunto ennen sen käyttämistä. Vahingoittunut tai viallinen kaapeli on vaihdettava. Jos käytät johtokelaa, kelaa johto aina kokonaan auki.

Jännitelaskut

- ◆ Joissakin virransyöttötilanteissa laite voi aiheuttaa lyhytaikaisen jännitteen alenemisen käynnistyksen aikana.
- ◆ Tämä voi vaikuttaa myös muihin laitteisiin. Esimerkiksi sähkövalojen kirkkaus voi hetkellisesti heiketä.
- ◆ Ota tarvittaessa yhteyttä sähköntoimittajaan, jos haluat selvittää, onko virtalähteen impedanssi pienempi kuin 0,159 ohmia. Tällöin häiriöiden esiintyminen on epätodennäköistä.

Sähköiskusuoja

- ◆ Vältä itse koskettamasta maadoitettuihin pintoihin (esim. metallikaiteisiin, lyhtypylväisiin jne.). Sähköturvallisuutta voi parantaa käyttämällä erittäin herkkää (30 mA / 30 mS) vikavirtasuojaa.



Varoitus! Se tai jokin muu virtapiirkatkaisin ei vapauta sahan käyttäjää tässä käyttöoppaassa esitettyjen turvallisten työtapojen ja turvaohjeiden noudattamiselta.

Yleiskuvasu

1. Virtakytkin
2. Lukituspainike (ei kuvassa)
3. Käsinsuoja edessä
4. Laippa
5. Teräketju
6. Teräketjun ketjukoppa
7. Teräketjun kireyden säätöpyörä
8. Laipan säädön lukitusnuppi
9. Laippasuojus
10. Virtajohto
11. Virtajohdon pidike
12. Öljysäiliön tulppa
13. Öljytason ilmaisin
14. Kaatopiikki

Asennus



Varoitus! Käytä aina suojakäsineitä käsitellessäsi ketjusahaa.



Varoitus! Katkaise laitteesta virta ja irrota se virtalähteestä aina ennen sähkötyökalan kokoamis- tai huoltotoimenpiteitä.



Varoitus! Ennen kokoamista poista yhdyskaapeli, jolla teräketju liitetään terälevyyen.

Teräketjun voitelu

Tämä on tehtävä aina, kun uusi teräketju (5) otetaan käyttöön. Ota uusi teräketju (5) ja anna sen liota ketjuöljyssä vähintään tunnin ennen käyttöä. Käytä BLACK+DECKER-teräketjuöljyä. Voiteluun kannattaa aina käyttää BLACK+DECKER-öljyä, sillä erilaisten öljyjen sekoittaminen voi huonontaa öljyn laatua. Se voi lyhentää ketjun käyttöikää huomattavasti ja aiheuttaa muita vaaroja. Älä koskaan käytä jäteöljyä, paksua öljyä tai erittäin ohutta ompelukoneöljyä. Nämä öljyt voivat vaurioittaa ketjusahaa.

Laipan ja teräketjun asentaminen. (Kuvat A - G)

- ◆ Aseta saha tukevalle alustalle.
- ◆ Kierrä laipan säädön lukitusnuppi (8) vastapäivään kuvan A mukaisesti ketjukopan (6) poistamiseksi.
- ◆ Tartu teräketjuun (5) suojakäsineitä käyttäen ja kääri se laippaan (4) varmistaen, että hampaat osoittavat oikeaan suuntaan (ks. kuva G).

- ◆ Varmista, että teräketju on asetettu oikein aukkoon koko laipan ympärille.
- ◆ Aseta teräketju hammaspyörän (16) ympärille samalla kun kohdistat laipan uran työkalun alaosassa olevaan pulttiin (17) ja teräketjun kiristystappiin (18) kuvan B mukaisesti.

Huomautus: Saatat joutua säätämään teräketjun kiristystapin (18) asentoa, jotta se kiinnittyy kunnolla laipan uraan pyörittämällä teräketjun kiristyspyörää (7).

- ◆ Kun teräketjun kiristyspyörä (7) on paikallaan, käännä sitä käsin kiristääksesi kokoonpanon alustavasti ja pitääksesi sen paikallaan.
- ◆ Kun pitelet laippaa paikoillaan ja asenna hammaspyörän suojus (6) takaisin. Varmista, että kopan kieleke (19) on kohdistunut pääkotelossa olevaan uraan (20) kuvan C mukaisesti. Kierrä laipan säädön lukitusnuppia (8) myötäpäivään, kunnes se on tiukasti kiinni, ja löysää sitten nuppia (8) yhden täyden kierroksen verran, jotta teräketju voidaan kiristää kunnolla.
- ◆ Noudata seuraavassa osassa olevia "Teräketjun kireyden säätäminen" -ohjeita.

Teräketjun kireyden säätäminen

Varoitus! Terävä teräketju. Käytä aina suojakäsineitä teräketjun käsittelyn aikana. Teräketju on terävä ja voi aiheuttaa haavan myös liikkumattomana ollessaan.

Varoitus! Terävä liukuva teräketju. Jotta laite ei käynnistyisi vahingossa, varmista, että pistoke on irrotettu virtalähteestä ennen seuraavien toimenpiteiden suorittamista. Jos näin ei menetellä, seurauksena saattaa olla vakava tapaturma.

- ◆ Tarkista teräketjun (5) kireys, kun saha on tukevalla alustalla. Kireys on oikea, kun teräketjua voi keskisormella ja peukalolla kevyesti vetää 3 mm laipasta (4) pois päin ja vapauttamisen jälkeen teräketju napsahtaa takaisin kuten kuvassa D.
- ◆ Säädä teräketjun kireyttä löysäämällä laipan säädön lukitusnuppia (8), kääntämällä teräketjun kiristyspyörää (7) sahan yläosaa kohti lisätäksesi kireyttä kuvan E mukaisesti. Kiristä laipan säädön lukitusnuppi tiukasti kiinni, kun olet varmistanut, että teräketju (5) on tiukasti laipan (4) ympärillä.
- ◆ Teräketju ei saa roikkua laipan alapuolella kuten kuvassa F.
- ◆ Kun teräketjun kireys on oikea, kiristä laipan säädön lukitusnuppi.
- ◆ Älä kiristä teräketjua liikaa, sillä se aiheuttaa ylimääräistä kulumista ja lyhentää laipan ja teräketjun käyttöikää.
- ◆ Tarkista uuden teräketjun kireys useaan kertaan (sen jälkeen, kun pistoke on irrotettu sähköverkosta) kahden ensimmäisen käyttötunnin aikana, sillä uusi teräketju venyy hieman.

Teräketjun vaihtaminen

Varoitus! Terävä teräketju.

Käytä aina suojakäsineitä teräketjun käsittelyn aikana. Teräketju on terävä ja voi aiheuttaa haavan myös liikkumattomana ollessaan.

Varoitus! Terävä liukuva teräketju. Jotta laite ei käynnistyisi vahingossa, varmista, että pistoke on irrotettu virtalähteestä ennen seuraavien toimenpiteiden suorittamista. Jos näin ei menetellä, seurauksena saattaa olla vakava tapaturma.

- ◆ Kierrä laipan säädön lukitusnuppia (8) vastapäivään vähentääksesi teräketjun kireyttä.
- ◆ Poista ketjukoppa (6) osion "Laipan ja teräketjun asentaminen" mukaisesti.
- ◆ Nosta kulunut teräketju (5) laipan (4) urasta irti.
- ◆ Aseta uusi teräketju laipan aukkoon varmistuen, että sahan hampaat osoittavat oikeaan suuntaan, kun teräketjussa oleva nuoli osoittaa samaan suuntaan kuin ketjukopassa (6) oleva merkki kuvan G mukaisesti.
- ◆ Noudata osion "Laipan ja teräketjun asentaminen" ohjeita ja säädä teräketjun kireys.

Automaattinen voitelujärjestelmä

Ketjusahassa on teräketjun ja laipan automaattinen voitelujärjestelmä.

Öljytason ilmaisin (13) näyttää ketjusahon öljytason. Jos öljytaso laskee alle neljänneksen, irrota ketjusahon pistoke sähköverkosta ja täytä säiliö oikeanlaisella öljyllä.

Huomautus: Käytä korkealuokkaista laippaa ja ketjuöljyä teräketjun ja laipan asianmukaista voitelua varten. Väliaikaisena korvikkeena voidaan käyttää pesuainetta sisältämätöntä SAE30-moottoriöljyä. Kasvipohjaisen laippa- ja teräketjuöljyn käyttöä suositellaan puiden karsimisessa. Mineräaliöljyn käyttö ei ole suositeltavaa, sillä se voi vahingoittaa puita. Älä koskaan käytä jäteöljyä tai erittäin paksua öljyä. Nämä öljyt voivat vaurioittaa ketjusahaa.

Öljysäiliön täyttäminen

- ◆ Irrota öljysäiliön tulppa (12) ja täytä säiliö suositellulla teräketjun öljyllä, kunnes öljytaso on saavuttanut öljytason ilmaisimen (13) yläosan.
- ◆ Kierrä säilön tulppa takaisin paikalleen.
- ◆ Kytke ketjusaha säännöllisesti pois päältä ja tarkista öljytason ilmaisin varmistaaaksesi, että laippa ja teräketju on voideltu oikeaoppisesti.

Jatkojohdon liittämisen

Jatkojohdon pidike (11) on sisäänrakennettu kytkinkahvaan. Se estää jatkojohtoa irtoamasta.

- ◆ Aseta jatkojohto kaksin kerroin ja työnnä se kahva-alueen päässä olevaan aukkoon (21) kuvan H mukaisesti. Kiinnitä kaksin kerroin asetetusta johdosta muodostuva silmukka johdon pidikkeen (11) päälle. Vedä johdosta kevyesti varmistaaaksesi, että se on kiinnittynyt hyvin kahvaan. Liitä jatkojohdon pistokepää ketjusahon virtajohtoon (12).

Sahan kuljettaminen

- ◆ Peitit laippa (4) aina laippasuojuksella (9) (kuva J) sahaa kuljettaessa.
- ◆ Aina kun laitetta ei käytetä, käsisoija edessä (3) on työnnettävä eteen niin, että se eristää laitteen. Käyttäjän ei tule liikkua mihinkään tämän ollessa aktivoituna.

Ketjusahan käyttäminen

Varoitus! Lue ja varmista, että ymmärrät kaikki ohjeet.

Jos kaikkia ohjeita ei noudateta, on olemassa sähköiskun, tulipalon ja/tai vakavan henkilövahingon vaara.

Käynnistäminen ja sammuttaminen

- ◆ Kytke työkalu päälle painamalla lukituspainiketta (2) ja puristamalla liipaisukytkintä (1) kuvan H mukaisesti. (Kun työkalu on käynnissä, voit vapauttaa lukituspainikkeen).
- ◆ Sammuta työkalu vapauttamalla liipaisukytkin.

Huomautus: Työkalu ei käynnisty, jos käsisoija edessä (3) ei ole käyttöasennossa.

Edessä olevan käsisoijan asettaminen

- ◆ Varmista, että virtajohto on irrotettu pistorasiasta.
- ◆ Vedä käsisoija edessä (3) takaisin käyttöasentoon.
- ◆ Saha on nyt käyttövalmis.

Edessä olevan käsisoijan toiminta

Takapotkutilanteessa vasen käsi osuu käsisoijaan edessä (3) työntäen sitä eteenpäin kohti sahauskohdetta ja pysäyttäen ketjusahan sekunnin murto-osassa.

Puiden kaataminen (kuvat K, L ja M)

Puun kaatamista ei suositella kokemattomalle sahan käyttäjälle. Väärään suuntaan kaatuva puu voi aiheuttaa aineellisia tai henkilövahinkoja. Myös kaatuvan puun sälot tai kuivat oksat voivat saada aikaan vahinkoja.

Turvallinen etäisyys kaadettavan puun ja sivullisten, rakennusten ja muiden kohteiden välillä on 2,5 kertaa puun pituus. Tätä etäisyyttä lähempänä olevat sivulliset tai rakennukset voivat jäädä kaatuvan puun alle.

Valmistelut ennen puun kaatoa:

- ◆ Varmista etukäteen, että puun kaataminen on luvallista.
- ◆ Mieti etukäteen kaikkia putoamissuuntaan vaikuttavia tilanteita, joita ovat esimerkiksi seuraavat:
 - ◆ suunta, johon oksan pitäisi pudota
 - ◆ puun kallistussuunta
 - ◆ poikkeuksellisen raskaat oksat tai lahot kohdat
 - ◆ ympäröivät puut ja esteet, yli kulkevat sähköjohdot ja maanalaiset viemärit
 - ◆ tuulen nopeus ja suunta.

Suunnittele turvallinen poistumisreitti kaadettavan puun luota. Varmista, että poistumisreitti on esteetön. Muista, että märkä ruoho ja juuri irronnut puunkuori ovat liukkaita.

- ◆ Älä yritä kaataa puuta, joka on paksumpi kuin:

- ◆ Puun kaatumissuuntaa ohjataan sahauslovelle.
- ◆ Sahaa puun tyveen, kaatosuuntaan nähden kohtisuoraan viiltto, joka ulottuu puun sisään 1/5–1/3 puun läpimitasta (kuva K).
- ◆ Sahaa ensimmäisen viillon yläpuolelta noin 45 asteen kulmassa vino viiltto, joka osuu vaakaviilttoon.
- ◆ Sahaa muodostuneen loven vastapuolelta, 2,5–5 cm loven keskikohdan yläpuolelle vaakasuora kaatoleikkaus. (Kuva L). Älä sahaa aivan loven saakka, ettei puu lähde kaatumaan väärään suuntaan.
- ◆ Lyö yksi tai useampi kiila kaatoviilttoon ja kaada puu (kuva M).

Puiden karsiminen

Varmista etukäteen, että puun karsiminen on luvallista.

Pystykarsinta tulee jättää kokeneen sahan käyttäjän tehtäväksi, koska teräketjun kiinnijäämisen ja takapotkujen riski on suuri.

Ennen karsintaa on arvioitava oksien putoamissuuntaan vaikuttavat tekijät, kuten:

- ◆ katkaistavan oksan pituus ja paino
- ◆ poikkeuksellisen raskaat oksat tai lahot kohdat
- ◆ ympäröivät puut ja esteet ja yli kulkevat johdot
- ◆ tuulen nopeus ja suunta
- ◆ oksan kiinnittyminen muihin oksiin.

Sahaajan on ensin selvitettävä, miten karsintakohtaahan päästään ja mihin oksa putoaa. Katkaistavat oksat kallistuvat puun runkoa kohti. Alla olevat sivulliset ja esineet ovat tällöin vaarassa.

- ◆ Sälöytymisen estämiseksi oksaa sahataan ensin alhaalta päin enintään kolmasosan verran oksan paksuudesta.
- ◆ Sen jälkeen sahataan ylhäältä päin suoraan kohti alaleikkausta.

Rungon katkaiseminen (kuvat N, O ja P)

Sahaustapa määräytyy tukin tuennan perusteella. Käytä sahapukkia aina, kun mahdollista.

Aloita sahaus aina siten, että teräketju pyörii ja kaatopiikit (22) ovat kiinni puussa (kuva N).

Sahaa tukki poikki kallistamalla sahata puuta vasten olevien kaatopiikkien varassa.

Kun puu on tuettuna koko pituudeltaan:

- ◆ Sahaa alaspäin. Estä teräketjun kosketus maahan, koska muuten ketju tylsyy nopeasti.

Kun puu on tuettuna molemmista päistään:

- ◆ Saha ensin alaspäin 1/3 sälyytymisen estämiseksi. Saha sitten loppuun alhaalta ylöspäin.

Kun tukki on tuettuna toisesta päästään:

- ◆ Sahaa ensin alta 1/3 rungon paksuudesta säilytymisen estämiseksi ja sitten loppuun ylhäältä alaspäin.

Rinteessä:

- ◆ Seiso aina ylämäen puolella.

Jos sahattava puu on kokonaan maassa (kuva O)

- ◆ tue se tapeilla tai kiiloilla. Puuta ei saa tukea istumalla tai seisomalla sen päällä. Varo, ettei teräketju kosketa maahan.

Sahapukkia käytettäessä (kuva P):

Sahapukin käyttö on suositeltavaa aina, kun se on mahdollista.

- ◆ Aseta puu vakaasti sahauspukille. Sahaa aina sahapukin reunojen ulkopuolelta. Sido sahattava puu hihnalla tai puristimella.

Oksien katkaiseminen (kuva Q)

Kaadetun puun oksien karsiminen. Jätä karsimisen ajaksi tukkiin suuret alaoksat kannattelemaan sitä irti maasta. Karsi pienet oksat yhdellä leikkauksella. Jännittyneenä olevat oksat tulee katkaista alhaalta ylöspäin, jotta saha ei juutu oksaan. Karsi oksat vastakkaiselta puolelta niin, että puun runko on sinun ja sahan välissä. Älä koskaan sahatessasi pidä sahaa jalkojesi välissä tai asetu oksan ympärille hajareisiin.

Vianetsintä

Ongelma	Mahdollinen syy	Mahdollinen ratkaisu
Työkalu ei käynnisty	Lukituspainike ei ole päällä	Paina lukituspainiketta
	Käsisuoja edessä on jarruasenossa	Nollaa käsisuoja edessä
	Sulake on palanut	Vaihda sulake
	Vikavirtasuoja on lauennut	Tarkista vikavirtasuoja
	Virtajohto on irti	Tarkista verkkovirtälähde
Teräketju ei pysähdy kahden sekunnin sisällä laitteen kytkemisestä pois päältä	Teräketju ei ole tarpeeksi kireä	Tarkista teräketjun kireys
Laippa/teräketju tuntuu kuumalta tai savuaa	Öljysäiliö on tyhjä	Tarkista säiliön öljytaso
	Terälevyn voitelureikä on tukossa	Puhdista voitelureiät ja teräketjun laipan ura
	Teräketju on liian kireällä	Tarkista teräketjun kireys
	Laipan hammaspyöränokka on voideltava	Voitele laipan hammaspyöränokka

Ongelma	Mahdollinen syy	Mahdollinen ratkaisu
Ketjusaha ei sahaa hyvin	Teräketju vääripäin	Tarkista/vaihda teräketjun suunta
	Teräketju on tylsä	Teroita tai vaihda teräketju
Ketjusaha ei käytä öljyä	Säiliössä on roskia	Poista öljy säiliöstä ja vaihda se
	Suojuksen voitelureikä on tukossa	Poista roskat reiästä
	Terälevyssä on roskia	Poista roskat ja puhdista terälevy
	Öljynpoistoputkessa on roskia	Poista roskat

Huolto

Säännöllinen huolto varmistaa laitteen pitkän ja tehokkaan käyttöiän. Seuraavat tarkistukset kannattaa tehdä säännöllisesti.

Varoitus! Ennen sähkötyökalun huoltoa toimi seuraavasti:

- ◆ Sammuta työkalu ja irrota työkalun virtajohto sähköverkosta.

Öljytaso

Säiliön öljytaso ei saa laskea alle 1/4.

Teräketju ja laippa (kuva F)

- ◆ Irrota ketju (5) ja laippa (4) aina muutaman tunnin käytön jälkeen ja ennen varastointia ja puhdista ne huolellisesti.
- ◆ Varmista, että laippa on puhdas ja että siinä ei ole roskia.

Varoitus! Älä kiristä liikaa.

- ◆ Voitele hammaspyöränokka voitelureiän kautta, jotta laipan ketjuohjaimet kuluvat tasaisesti.

Teräketjun teroittaminen

Jotta saha toimisi parhaalla mahdollisella tavalla, ketjun hampaat on pidettävä terävinä.

Kuluneen teräketjun vaihtaminen

Teräketjuja on saatavana BLACK+DECKERin valtuutetuista huoltoliikkeistä ja jälleenmyyjiltä. Käytä aina vain alkuperäisiä varaosia.

Teräketjun varaosat:
 BECS1835 35 cm ketju A6235CS
 BECS2040 40 cm ketju A6240CS
 BECS2245 45 cm ketju A6245CS

Teräketjun terävyys

Ketjun leikkuuterät tylsyvät heti, jos ne sahattaessa osuvat maahan tai naulaan.

Teräketjun kireys

Tarkista teräketjun kireys säännöllisesti.

Mitä tehdä, jos ketjusaha vaatii korjausta.

Ketjusaha on valmistettu asianmukaisten turvaohjeiden vaatimusten mukaisesti. Korjauksia saa tehdä vain Black & Deckerin valtuuttama huoltoliike, joka käyttää alkuperäisosa, muutoin koneen käyttäjälle voi aiheuta vaaratilanteita. Suosittelemme tämän käyttöohjeen säilyttämistä turvallisessa paikassa.

Pistokkeen vaihtaminen (koskee vain Isoa-Britanniaa ja Irlantia)

Jos uusi verkkopistoke täytyy asentaa:

- ◆ Hävitä vanha pistoke turvallisesti.
- ◆ Liitä ruskea johto uuden pistokkeen jännitteeseen napaan.
- ◆ Liitä sininen johdin nolliiliittimeen.

Varoitus! Maadoitusliittimeen ei tule tehdä liitoksia.

Noudata korkealaatuisten pistokkeiden mukana toimitettuja asennusohjeita. Suositeltu varoke: 10 A.

Ympäristönsuojelu



Toimita tämä laite erilliskeräykseen. Tällä symbolilla merkityjä tuotteita ja akkuja/paristoja ei saa hävittää normaalin kotitalousjätteen mukana.

Tuotteissa ja akuissa on materiaaleja, jotka voidaan ottaa talteen tai kierrättää uudelleenkäyttöä varten.

Kierrätä sähkölaitteet ja akut paikallisten määräyksien mukaan. Lisätietoa on saatavilla osoitteessa www.2helpU.com

Tekniset tiedot

		BECS1835 Tyyppi 1	BECS2040 Tyyppi 1	BECS2245 Tyyppi 1
Jännite	V _{ac}	230 V	230 V	230 V
Laipan pituus	cm	35	40	46
Laipan enimmäispituus	mm	419	459	511
Teräketjun nopeus (kuormittamaton)	m/ sm	14,5	14,5	14,5
Suurin sahauspituus	mm	319	368	407
Öljysäiliön tilavuus	ml	170	170	170
Paino (ilman teräketjua, laippaa, öljyä)	kg	4,1	4,1	4,3

BECS1835 Meluarvo mitattuna standardin EN62841 mukaisesti:

LpA (äänenpaine) 99 dB(A), epävarmuus (K) 3 dB(A)
LwA (ääniteho) 109 dB(A), epävarmuus (K) 1,6 dB(A)

BECS1835 Tärinän kokonaisarvot (triakiaalinen vektorisumma) standardin EN 602841 mukaisesti:

Tärinäpäästöarvo (a_{H}) = 3,8 m/s², epävarmuus (K) = 1,5 m/s²

BECS2040 Meluarvo mitattuna standardin EN62841 mukaisesti:

LpA (äänenpaine) 100 dB(A), epävarmuus (K) 3 dB(A)
LwA (ääniteho) 110 dB(A), epävarmuus (K) 1,8 dB(A)

BECS2040 Tärinän kokonaisarvot (triakiaalinen vektorisumma) standardin EN 602841 mukaisesti:

Tärinäpäästöarvo (a_{H}) = 5,2 m/s², epävarmuus (K) = 1,5 m/s²

BECS2245 Meluarvo mitattuna standardin EN62841 mukaisesti:

LpA (äänenpaine) 98 dB(A), epävarmuus (K) 3 dB(A)
LwA (ääniteho) 108 dB(A), epävarmuus (K) 1,6 dB(A)

BECS2245 Tärinän kokonaisarvot (triakiaalinen vektorisumma) standardin EN 602841 mukaisesti:

Tärinäpäästöarvo (a_{H}) = 4,1 m/s², epävarmuus (K) = 1,5 m/s²

EU-vaatimustenmukaisuusvakuutus KONEDIREKTIIVI



BECS1835, BECS2040, BECS2245 Ketjusaha
Black & Decker ilmoittaa, että Tekniset tiedot -kohdassa kuvatut tuotteet täyttävät seuraavien direktiivien vaatimukset:
2006/42/EY,

EN 62841-1:2015+A11:2022, EN 62841-4-1:2020
2000/14/EY, liite V

BECS2040: LWA (mitattu ääniteho taso) 110 dB(A),
epävarmuus (K) = 1,8 dB (A),
LWA (taattu ääniteho) 112 dB(A)

BECS1835: Mitattu ääniteho taso LWA: 109 dB(A). K = 1,6
dB(A).

Taattu ääniteho taso LWA: 111 dB(A).

BECS2245: Mitattu ääniteho taso LWA: 108 dB(A). K = 1,6
dB(A).

Taattu ääniteho taso LWA: 110 dB(A)

Nämä tuotteet täyttävät myös direktiivien
2014/30/EY ja 2011/65/EY vaatimukset.

Lisätietoja saa ottamalla yhteyden Black & Deckeriin seuraavassa osoitteessa. Tiedot ovat myös käyttöohjeen takakannessa.

Allekirjoittaja vastaa teknisistä tiedoista ja antaa tämän vakuutuksen Black & Deckerin puolesta.

Patrick Diepenbach

Patrick Diepenbach
Päällikö, Benelux
Black & Decker,
Egide Walschaertsstraat 14-18
2800 Mechelen, Belgia
17/02/2023

Takuu

Black & Decker on varma tuotteidensa korkeasta laadusta ja tarjoaa kuluttajille 24 kuukauden takuun*, joka astuu voimaan ostopäivänä. Takuu on lisäys kuluttajan laillisiin oikeuksiin eikä se vaikuta niihin.

Tämä takuu on voimassa kaikissa EU- ja ETA-maissa sekä Isossa-Britanniassa.

Edellytyksenä takuun saamiselle on, että vaade täyttää Black & Deckerin ehdot ja että ostaja toimittaa ostotositteen jälleenmyyjälle tai valtuutetulle huoltoliikkeelle. Black & Deckerin kahden vuoden takuun ehdot ja lähimmän valtuutetun korjauspalvelun yhteystiedot ovat saatavilla osoitteessa www.2helpU.com tai ottamalla yhteyttä paikalliseen Black & Deckerin toimipisteeseen tässä ohjekirjassa ilmoitettuihin osoitteisiin.

Käy verkkosivuiltamme osoitteessa www.blackanddecker.fi ja rekisteröi uusi BLACK+DECKER -tuotteesi saadaksesi tietoa uusista tuotteista ja erikoistarjouksista.

Προβλεπόμενη χρήση

Το αλυσοπρίοιο BLACK+DECKER™ BECS1835, BECS2040, BECS2245 έχει σχεδιαστεί για κοπή δένδρων και κορμών δένδρων. Αυτό το εργαλείο προορίζεται μόνο για ερασιτεχνική χρήση.

Οδηγίες ασφαλείας

Γενικές προειδοποιήσεις ασφαλείας για ηλεκτρικά εργαλεία



Προειδοποίηση! Διαβάστε όλες τις προειδοποιήσεις ασφαλείας, τις οδηγίες, τις απεικονίσεις και τις προδιαγραφές που συνοδεύουν το ηλεκτρικό εργαλείο. Η μη τήρηση οποιασδήποτε από τις οδηγίες που αναφέρονται πιο κάτω μπορεί να έχει ως αποτέλεσμα ηλεκτροπληξία, πυρκαγιά και/ή σοβαρό τραυματισμό.

Φυλάξτε όλες τις προειδοποιήσεις και τις οδηγίες για μελλοντική αναφορά. Ο όρος "ηλεκτρικό εργαλείο" που χρησιμοποιείται σε όλες τις παρακάτω προειδοποιήσεις, αναφέρεται είτε σε εργαλείο που λειτουργεί με ρεύμα δικτύου (εργαλείο ρεύματος - με καλώδιο) είτε σε εργαλείο που λειτουργεί με μπαταρία (εργαλείο μπαταρίας - χωρίς καλώδιο).

1. Ασφάλεια χώρου εργασίας

- α. Διατηρείτε τον χώρο εργασίας καθαρό και καλά φωτισμένο. Οι ατακτοποιητοί ή σκοτεινοί χώροι γίνονται αιτίες ατυχημάτων.
- β. Μη χρησιμοποιείτε ηλεκτρικά εργαλεία σε περιβάλλον όπου υπάρχει κίνδυνος έκρηξης, όπως με παρουσία εύφλεκτων υγρών, αερίων ή σκόνης. Τα ηλεκτρικά εργαλεία παράγουν σπινθήρες που μπορεί να προκαλέσουν ανάφλεξη της σκόνης ή των αναθυμιάσεων.
- γ. Κρατάτε μακριά τα παιδιά και άλλα άτομα όταν χρησιμοποιείτε ηλεκτρικό εργαλείο. Παράγοντες που αποσπούν την προσοχή μπορεί να σας κάνουν να χάσετε τον έλεγχο.

2. Ασφαλής χρήση ηλεκτρικού ρεύματος

- α. Τα φως των ηλεκτρικών εργαλείων πρέπει να ταιριάζουν στην πρίζα. Σε καμία περίπτωση μην τροποποιήσετε το φως, με κανένα τρόπο. Μη χρησιμοποιείτε φως προσαρμογής με γειωμένα ηλεκτρικά εργαλεία. Τα φως που δεν έχουν υποστεί τροποποιήσεις και οι κατάλληλες πρίζες μειώνουν τον κίνδυνο ηλεκτροπληξίας.
- β. Αποφεύγετε την επαφή του σώματός σας με γειωμένες επιφάνειες, όπως σωλήνες, σώματα καλοριφέρ, κουζίνες και ψυγεία. Υπάρχει αυξημένος κίνδυνος ηλεκτροπληξίας αν το σώμα σας είναι γειωμένο.
- γ. Μην εκθέτετε τα ηλεκτρικά εργαλεία σε βροχή ή υγρασία. Η διείσδυση νερού σε ένα ηλεκτρικό εργαλείο αυξάνει τον κίνδυνο ηλεκτροπληξίας.
- δ. Μην κακομεταχειρίζεστε το καλώδιο. Ποτέ μη χρησιμοποιήσετε το καλώδιο για να μεταφέρετε, να τραβήξετε ή να αποσυνδέσετε από την πρίζα το ηλεκτρικό εργαλείο. Κρατάτε το καλώδιο μακριά από θερμότητα, λάδια, αιχμηρά άκρα ή κινούμενα μέρη. Τα καλώδια που έχουν υποστεί ζημιά ή είναι μπερδεμένα αυξάνουν τον κίνδυνο ηλεκτροπληξίας.
- ε. Όταν εργάζεστε με ηλεκτρικό εργαλείο σε εξωτερικούς χώρους, χρησιμοποιείτε πάντοτε καλώδιο πρόετασης κατάλληλο για εργασία σε εξωτερικούς χώρους. Η χρήση καλωδίου κατάλληλου για εργασία σε εξωτερικούς χώρους μειώνει τον κίνδυνο ηλεκτροπληξίας.
- στ. Εάν είναι αναπόφευκτη η χρήση ενός ηλεκτρικού εργαλείου σε συνθήκες υγρασίας, χρησιμοποιήστε μια διάταξη προστασίας από ρεύμα διαρροής (RCD). Η χρήση μιας διάταξης RCD μειώνει τον κίνδυνο ηλεκτροπληξίας.

3. Προσωπική ασφάλεια

- α. Όταν χρησιμοποιείτε ηλεκτρικό εργαλείο, να είστε σε εγρήγορση, να συγκεντρώνετε στην εργασία που κάνετε και να επιστρατεύετε την κοινή λογική. Μη χρησιμοποιείτε ηλεκτρικό εργαλείο όταν είστε κουρασμένοι-η ή υπό την επίδραση ναρκωτικών, οινοπνεύματος ή φαρμακευτικής αγωγής. Μια στιγμή απροσεξίας κατά τη χρήση ηλεκτρικών εργαλείων μπορεί να προκαλέσει σοβαρό τραυματισμό.
- β. Χρησιμοποιείτε ατομικό εξοπλισμό προστασίας. Πάντα φοράτε προστασία ματιών. Ο εξοπλισμός προστασίας, όπως μάσκα κατά της σκόνης, αντιολισθητικά παπούτσια ασφαλείας, κράνος ή προστασία ακοής, όταν χρησιμοποιείται για τις κατάλληλες συνθήκες, θα μειώσει τους τραυματισμούς και τις σωματικές βλάβες.

γ. Αποτρέψτε την ακούσια ενεργοποίηση. Βεβαιωθείτε ότι ο διακόπτης βρίσκεται στη θέση απενεργοποίησης, πριν συνδέσετε το εργαλείο στην πηγή ρεύματος και/ή τοποθετήσετε το πακέτο μπαταριών, καθώς και πριν πάρετε στα χέρια σας ή μεταφέρετε το εργαλείο. Η μεταφορά ηλεκτρικών εργαλείων με το δάχτυλο πάνω στον διακόπτη ή η σύνδεση στο ρεύμα ηλεκτρικών εργαλείων με τον διακόπτη στη θέση ενεργοποίησης, ενέχει κινδύνους ατυχημάτων.

δ. Πριν θέσετε το ηλεκτρικό εργαλείο σε λειτουργία, αφαιρέστε τυχόν εργαλεία ή κλειδιά ρύθμισης. Εάν αφήσετε ένα εργαλείο ή κλειδί πάνω σε κάποιο περιστρεφόμενο εξάρτημα του ηλεκτρικού εργαλείου, μπορεί να προκληθούν τραυματισμοί.

ε. Μην τεντώνετε υπερβολικά. Διατηρείτε πάντα σταθερή στήριξη στα πόδια σας και καλή ισορροπία. Έτσι μπορείτε να έχετε καλύτερο έλεγχο του ηλεκτρικού εργαλείου σε μη αναμενόμενες καταστάσεις.

στ. Φοράτε κατάλληλη ενδυμασία εργασίας. Μη φοράτε φαρδιά ρούχα ή κοσμήματα. Κρατάτε τα μαλλιά, τα ρούχα και τα γάντια σας μακριά από κινούμενα μέρη. Τα φαρδιά ρούχα, τα κοσμήματα και τα μακριά μαλλιά μπορούν να πιαστούν σε κινούμενα μέρη.

ζ. Αν παρέχονται διατάξεις για τη σύνδεση συστημάτων απομάκρυνσης και συλλογής της σκόνης, βεβαιωθείτε ότι αυτές είναι συνδεδεμένες και χρησιμοποιούνται σωστά. Η χρήση διατάξεων συλλογής της σκόνης μπορεί να μειώσει τους κινδύνους που προέρχονται από τη σκόνη.

η. Μην αφήνετε την εξοικείωση που έχετε αποκτήσει από τη συχνή χρήση εργαλείων να σας επιτρέψει να εφησυχάσετε ώστε να αγνοήσετε τις αρχές ασφαλούς χρήσης των εργαλείων. Μια απρόσεκτη ενέργεια μπορεί να προκαλέσει βαρύ τραυματισμό μέσα σε κλάσματα του δευτερολέπτου.

4. Χρήση και φροντίδα ηλεκτρικών εργαλείων

α. Μην υπερφορτώνετε το ηλεκτρικό εργαλείο. Χρησιμοποιείτε το σωστό ηλεκτρικό εργαλείο για την εφαρμογή σας. Το σωστό ηλεκτρικό εργαλείο θα εκτελέσει την εργασία καλύτερα και ασφαλέστερα, με την ένταση χρήσης για την οποία σχεδιάστηκε.

β. Μη χρησιμοποιήσετε το ηλεκτρικό εργαλείο αν ο διακόπτης του δεν μπορεί να ενεργοποιηθεί και απενεργοποιηθεί. Οποιοδήποτε ηλεκτρικό εργαλείο του οποίου η λειτουργία δεν μπορεί να ελεγχθεί με τον διακόπτη είναι επικίνδυνο και πρέπει να επισκευαστεί.

γ. Αποσυνδέστε το φως από την πηγή ρεύματος και/ή αφαιρέστε το πακέτο μπαταριών από το ηλεκτρικό εργαλείο, πριν πραγματοποιήσετε οποιαδήποτε ρύθμιση, αλλαγή αξεσουάρ ή όταν πρόκειται να αποθηκεύσετε το ηλεκτρικό εργαλείο.

Τέτοια προληπτικά μέτρα ασφαλείας μειώνουν το κίνδυνο αθέλητης εκκίνησης του ηλεκτρικού εργαλείου.

δ. Φυλάσσετε μακριά από παιδιά τα ηλεκτρικά εργαλεία που δεν χρησιμοποιείτε. Μην αφήνετε να χρησιμοποιήσουν ηλεκτρικό εργαλείο άτομα που δεν είναι εξοικειωμένα με αυτό ή άτομα που δεν έχουν διαβάσει αυτές τις οδηγίες χρήσης.

Τα ηλεκτρικά εργαλεία είναι επικίνδυνα στα χέρια μη εκπαιδευμένων χρηστών.

ε. Συντηρείτε τα ηλεκτρικά εργαλεία. Ελέγχετε για προβλήματα ευθυγράμμισης ή για μάγκωμα των κινούμενων εξαρτημάτων, θραύση εξαρτημάτων, καθώς και για οποιοδήποτε άλλο πρόβλημα μπορεί να επηρεάσει τη λειτουργία των ηλεκτρικών εργαλείων. Αν το ηλεκτρικό εργαλείο έχει υποστεί ζημιά, δώστε το για επισκευή πριν το χρησιμοποιήσετε. Η ανεπαρκής συντήρηση των ηλεκτρικών εργαλείων αποτελεί αιτία πολλών ατυχημάτων.

στ. Διατηρείτε τα κοπτικά εργαλεία κοφτερά και καθαρά. Τα κοπτικά εργαλεία με κοφτερές κοπτικές αιχμές που συντηρούνται σωστά έχουν λιγότερες πιθανότητες να μαγκώσουν και ελέγχονται ευκολότερα.

ζ. Χρησιμοποιείτε το ηλεκτρικό εργαλείο, τα αξεσουάρ και τα εξαρτήματα εργασίας του εργαλείου κλπ. σύμφωνα με τις παρούσες οδηγίες, λαμβάνοντας υπόψη σας τις συνθήκες εργασίας και την εργασία που θέλετε να εκτελέσετε. Η χρήση του ηλεκτρικού εργαλείου για εργασίες διαφορετικές από τις προβλεπόμενες θα μπορούσε να οδηγήσει σε επικίνδυνη κατάσταση.

η. Διατηρείτε τις λαβές και τις επιφάνειες κρατήματος στεγνές, καθαρές και απαλλαγμένες από λάδι και γράσο. Οι ολισθηρές λαβές και επιφάνειες κρατήματος δεν επιτρέπουν τον ασφαλή χειρισμό και έλεγχο του εργαλείου σε μη αναμενόμενες καταστάσεις.

5. Σέρβις

α. Αναθέστε το σέρβις του ηλεκτρικού σας εργαλείου σε εξειδικευμένο τεχνικό επισκευών που χρησιμοποιεί μόνο γνήσια ανταλλακτικά. Έτσι θα εξασφαλίσετε τη διατήρηση της ασφάλειας του ηλεκτρικού εργαλείου.

Γενικές προειδοποιήσεις ασφαλείας για αλυσοπρίονα



Προειδοποίηση! Συμπληρωματικές προειδοποιήσεις ασφαλείας για τα αλυσοπρίονα

- ♦ Κρατάτε όλα τα μέρη του σώματος μακριά από την αλυσίδα όταν το αλυσοπρίονο βρίσκεται σε λειτουργία. Πριν θέσετε σε λειτουργία το αλυσοπρίονο, φροντίστε η αλυσίδα του πριονιού να μη βρίσκεται σε επαφή με οποιοδήποτε αντικείμενο.

Μια στιγμιαία απροσεξία κατά το χειρισμό του αλυσοπρίονου μπορεί να οδηγήσει στην εμπλοκή του εργαλείου με τα ρούχα ή το σώμα σας.

- ◆ **Πάντα κρατάτε το αλυσοπρίονο με το δεξιό χέρι στην πίσω λαβή και το αριστερό στην μπροστινή λαβή.** Ποτέ δεν πρέπει να κρατάτε το αλυσοπρίονο με αντίθετη διάταξη χεριών γιατί αυξάνεται ο κίνδυνος τραυματισμού.
- ◆ **Κρατάτε το αλυσοπρίονο από μονωμένες επιφάνειες κρατήματος και μόνο, επειδή η αλυσίδα του πριονιού μπορεί να έρθει σε επαφή με αθέατα καλώδια.** Αν η αλυσίδα του πριονιού έρθει σε επαφή με καλώδιο υπό τάση, μπορεί να θέσει υπό τάση και τα εκτεθειμένα μεταλλικά μέρη του αλυσοπρίονου και να προκαλέσει ηλεκτροπληξία στο χειριστή.
- ◆ **Φοράτε προστασία ματιών. Συνιστάται η χρήση περατώρου προστατευτικού εξοπλισμού για την ακοή, το κεφάλι, τα χέρια και τα πόδια.** Ο κατάλληλος προστατευτικός εξοπλισμός μειώνει τον κίνδυνο τραυματισμού από τα εκτοξευόμενα θραύσματα ή την ακούσια επαφή με την αλυσίδα του πριονιού.
- ◆ **Μην χρησιμοποιείτε το αλυσοπρίονο ενώ βρίσκεστε πάνω σε δέντρο, κινητή σκάλα, στέγη ή σε οποιαδήποτε άλλη ασταθή επιφάνεια.** Ο χειρισμός του αλυσοπρίονου με αυτόν τον τρόπο, θα μπορούσε να οδηγήσει σε σοβαρό τραυματισμό.
- ◆ **Φροντίζετε να έχετε πάντοτε την κατάλληλη στάση και να λειτουργείτε το αλυσοπρίονο μόνο όταν στέκεστε σε σταθερή, ασφαλή και επίπεδη επιφάνεια.** Οι ολισθηρές ή ασταθείς επιφάνειες όπως οι κινητές σκάλες μπορούν να προκαλέσουν απώλεια της ισορροπίας ή του ελέγχου του αλυσοπρίονου.
- ◆ **Όταν κόβετε ένα κλαδί που βρίσκεται υπό μηχανική τάση, προσέχετε το ενδεχόμενο να κινηθεί απότομα προς το μέρος σας του.** Όταν πάμει να ασκείται πίεση στις ίνες του ξύλου, το κλαδί που βρισκόταν υπό μηχανική τάση μπορεί να χτυπήσει τον χειριστή και/ή να προκαλέσει την απώλεια ελέγχου του αλυσοπρίονου.
- ◆ **Προσέχετε ιδιαίτερα όταν κόβετε θάμνους και δενδρύλλια.** Τα λεπτά και ευλύγιστα υλικά μπορεί να πιαστούν στην αλυσίδα του πριονιού και να πιναχτούν προς το μέρος ή να σας κάνουν να χάσετε την ισορροπία σας.
- ◆ **Μεταφέρετε το αλυσοπρίονο από την μπροστινή λαβή με την αλυσίδα πριονιού σταματημένη και σε απόσταση από το σώμα σας.** Όταν μεταφέρετε ή αποθηκεύετε το αλυσοπρίονο τοποθετείτε πάντα το κάλυμμα της λάμας-οδηγού αλυσίδας. Ο σωστός χειρισμός του αλυσοπρίονου μειώνει την πιθανότητα τυχαίας επαφής με την κινούμενη αλυσίδα του πριονιού.
- ◆ **Ακολουθείτε τις σχετικές οδηγίες σε ό,τι αφορά τη λίπανση, το τέντωμα της αλυσίδας και την αλλαγή της λάμας και της αλυσίδας.**

Όταν δεν έχει τεντωθεί ή λιπανθεί σωστά η αλυσίδα του πριονιού, υπάρχει κίνδυνος θραύσης της αλυσίδας ή αυξημένης πιθανότητας ανάδρασης.

- ◆ **Το εργαλείο προορίζεται αποκλειστικά για την κοπή ξύλου. Μη χρησιμοποιείτε το αλυσοπρίονο για εργασίες για τις οποίες δεν προορίζεται. Για παράδειγμα: μη χρησιμοποιείτε το αλυσοπρίονο για κοπή μετάλλων, πλαστικών, ειδών τοιχοποιίας ή μη ξύλινων δομικών υλικών.** Η χρήση του αλυσοπρίονου για εργασίες πέρα από τις προβλεπόμενες μπορεί να δημιουργήσει επικίνδυνες καταστάσεις.
- ◆ **Μην επιχειρήσετε να υλοτομήσετε κάποιο δέντρο μέχρι να κατανοήσετε τους κινδύνους και τον τρόπο αποφυγής τους.** Κατά την υλοτόμηση ενός δέντρου, μπορεί να προκληθεί σοβαρός τραυματισμός στον χειριστή ή τους παρευρισκόμενους.
- ◆ **Τηρείτε όλες τις οδηγίες κατά την απομάκρυνση σφηνωμένου υλικού, την αποθήκευση ή συντήρηση του αλυσοπρίονου. Βεβαιωθείτε ότι το εργαλείο είναι αποσυνδεδεμένο από την παροχή ρεύματος.** Η μη αναμενόμενη ενεργοποίηση του αλυσοπρίονου κατά την απομάκρυνση σφηνωμένου υλικού ή τις εργασίες σέρβις, μπορεί να προκαλέσει τραυματισμό.
- ◆ **Φοράτε εφαρμοστά και προστατευτικά ρούχα και προστατευτικό εξοπλισμό, όπως κράνος ασφαλείας με προστατευτικά γυαλιά, ιωσασπίδες, αντιολισθητικά παπούτσια ασφαλείας, προστατευτική φόρμα εργασίας και ανθεκτικά δερμάτινα γάντια.**
- ◆ **Να στέκεστε πάντα μακριά από την κατεύθυνση πτώσης των κλαδιών.**
- ◆ **Η ασφαλής απόσταση ενός προς κοπή κλαδιού από άτομα, κτίρια ή άλλα αντικείμενα ισούται τουλάχιστον με 2 1/2 φορές το μήκος του κλαδιού.** Οποιοδήποτε άτομο, κτίριο ή αντικείμενο που βρίσκεται σε μικρότερη απόσταση κινδυνεύει να πληγεί από το κλαδί που θα πέσει.
- ◆ **Σχεδιάστε μια ασφαλή διαφυγή από το δέντρο ή τα κλαδιά του καθώς πέφτουν.** Βεβαιωθείτε ότι στη διαδρομή απομάκρυνσης δε θα υπάρχουν εμπόδια που θα καθιστούσαν αδύνατη ή θα δυσκόλευαν την κίνηση. Έχετε υπόψη ότι το υγρό γρασίδι και ο φλοιός δέντρου που έχει κοπεί πρόσφατα είναι ολισθηρά.
- ◆ **Βεβαιωθείτε πως υπάρχει κάποιος κοντά (αλλά σε απόσταση ασφαλείας) για την περίπτωση ατυχήματος.**
- ◆ **Μη χρησιμοποιείτε το εργαλείο ενώ βρίσκεστε επάνω σε δέντρο, κινητή σκάλα ή οποιαδήποτε άλλη ασταθή επιφάνεια.**
- ◆ **Διατηρείτε πάντα σταθερή στήριξη στα πόδια σας και καλή ισορροπία.**
- ◆ **Κρατάτε σταθερά το εργαλείο και με τα δύο χέρια, όταν το μοτέρ βρίσκεται σε λειτουργία.**

- ◆ Μην επιτρέψετε να έλθει σε επαφή η κινούμενη αλυσίδα πριονιού με οποιοδήποτε αντικείμενο στο άκρο της λάμας-οδηγού αλυσίδας.
- ◆ Ξεκινήστε την κοπή κάποιου αντικείμενου μόνο εφόσον η αλυσίδα του πριονιού κινείται με τη μέγιστη ταχύτητα.
- ◆ Μην προσπαθήσετε να το εισάγετε σε παλιότερη τομή. Δημιουργείτε πάντα μια νέα τομή.
- ◆ Προσέχετε για τυχόν κλαδιά που μετακινούνται ή για άλλες δυνάμεις που θα μπορούσαν να κλείσουν μια τομή και να μαγκώσουν την αλυσίδα του πριονιού ή να πέσουν σε αυτήν.
- ◆ Μην επιχειρείτε να κόψετε κάποιο κλαδί η διάμετρος του οποίου υπερβαίνει το μήκος κοπής του εργαλείου.
- ◆ Πάντα τοποθετείτε το συγκρότημα καλύμματος αλυσίδας πριονιού πάνω στην αλυσίδα του πριονιού όταν φυλάσσετε ή μεταφέρετε το εργαλείο.
- ◆ Διατηρείτε την αλυσίδα του πριονιού αιχμηρή και στη σωστή τάνυση. Ελέγχετε τακτικά την τάνυση.
- ◆ Απενεργοποιήστε το εργαλείο, αποσυνδέστε την παροχή ρεύματος και περιμένετε να σταματήσει η αλυσίδα του πριονιού πριν διενεργήσετε οποιαδήποτε εργασία ρύθμισης, σέρβις ή συντήρησης.
- ◆ Χρησιμοποιείτε μόνο γνήσια ανταλλακτικά και αξεσουάρ.
- ◆ Φροντίστε οι λαβές να είναι στεγνές, καθαρές και χωρίς λάδια ή γράσα. Ο λαβές που είναι λερωμένες με γράσο ή λάδι γλιστρούν, με αποτέλεσμα την απώλεια του ελέγχου.
- ◆ Ο ακιδωτός προφυλακτήρας μπορεί να καταστεί αιχμηρός κατά τη διάρκεια ζωής του προϊόντος. Προσέχετε κατά τους χειρισμούς.
- ◆ Κατά το χειρισμό του προϊόντος η λάμα αλυσίδας μπορεί να αποκτήσει υψηλή θερμοκρασία, προσέχετε κατά τους χειρισμούς.

Αιτίες της ανάδρασης και τρόπος αποτροπής από τον χειριστή

Μπορεί να προκληθεί ανάδραση αν η μύτη ή το άκρο της λάμας-οδηγού αλυσίδας έρθει σε επαφή με ένα αντικείμενο ή αν το ξύλο κλείσει και μαγκώσει την αλυσίδα του πριονιού μέσα στην τομή.

Η επαφή του άκρου με ένα αντικείμενο μπορεί σε ορισμένες περιπτώσεις να προκαλέσει απότομη αντίστροφη κίνηση, τινάζοντας τη λάμα-οδηγό αλυσίδας προς τα πάνω και προς τα πίσω προς το μέρος του χειριστή.

Το μάγκωμα της αλυσίδας του πριονιού κατά μήκος του πάνω μέρους της λάμας-οδηγού αλυσίδας μπορεί να σπρώξει τη λάμα-οδηγό αλυσίδας με ταχύτητα πίσω προς το μέρος του χειριστή.

Μία από αυτές τις αντιδράσεις μπορεί να σας κάνει να χάσετε τον έλεγχο του αλυσοπριονιού με κίνδυνο σοβαρού τραυματισμού. Μη βασίζεστε αποκλειστικά στις διατάξεις ασφαλείας που διαθέτει το αλυσοπριονό σας.

Ως χρήστης αλυσοπριονιού, θα πρέπει να παίρνετε ορισμένες προφυλάξεις για να αποφύγετε τα ατυχήματα και τους τραυματισμούς κατά τη διάρκεια των εργασιών κοπής που εκτελείτε.

Η ανάδραση (κλώσημα) αποτελεί συνέπεια ενός εσφαλμένου ή ελλιπούς χειρισμού του αλυσοπριονιού. Μπορεί να αποφευχθεί με κατάλληλα προληπτικά μέτρα, όπως αυτά που περιγράφονται παρακάτω:

- ◆ **Κρατάτε γερά το αλυσοπριονό, με τους αντίχειρες και τα δάχτυλα να περικλείουν τις λαβές του αλυσοπριονιού. Κρατάτε το αλυσοπριονό και με τα δυο σας χέρια και να δίνετε στο σώμα και στους βραχίονές σας μια θέση, στην οποία θα μπορέσετε να αντιμετωπίσετε τυχόν δυνάμεις ανάδρασης (κλώσημα).** Όταν έχουν ληφθεί κατάλληλα μέτρα προφύλαξης, ο χειριστής μπορεί να ελέγξει τις δυνάμεις ανάδρασης. Μην αφήνετε ελεύθερο το αλυσοπριονό.
- ◆ **Μην τεντώνεστε και μην κόβετε πάνω από το ύψος του ώμου σας.** Αυτό βοηθάει στην αποφυγή της αθλήτης επαφής του άκρου με άλλο αντικείμενο και επιτρέπει τον καλύτερο έλεγχο του αλυσοπριονιού σε απρόοπτες καταστάσεις.
- ◆ **Χρησιμοποιείτε αποκλειστικά τις ανταλλακτικές λάμες-οδηγούς και αλυσίδες πριονιού που καθορίζονται από τον κατασκευαστή.** Ακατάλληλες ανταλλακτικές λάμες-οδηγοί και αλυσίδες πριονιού μπορεί να προκαλέσουν θραύση της αλυσίδας και/ή ανάδραση.
- ◆ **Ακολουθείτε τις οδηγίες του κατασκευαστή σχετικά με το ακόνισμα και τη συντήρηση της αλυσίδας του πριονιού.** Η μείωση του ύψους του ρυθμιστή βάθους κοπής των κοπτικών της αλυσίδας μπορεί να οδηγήσει σε αυξημένη ανάδραση.

Συστάσεις ασφαλείας για το αλυσοπριονό

- ◆ Συνιστάται σε όσους χρησιμοποιούν αλυσοπριονό για πρώτη φορά να λαμβάνουν πρακτικές οδηγίες για τη χρήση και τον προστατευτικό εξοπλισμό από έναν πεπειραμένο χρήστη.
- ◆ Θα πρέπει να γίνεται εξέσκηση στην κοπή κορμών πάνω σε καβαλέτο ή ικρίωμα.
- ◆ Όταν μεταφέρετε το αλυσοπριονό, να βεβαιώνετε ότι η αλυσίδα του πριονιού είναι στραμμένη προς τα πίσω.
- ◆ Διατηρείτε το αλυσοπριονό σε καλή κατάσταση όταν δεν το χρησιμοποιείτε. Όταν φυλάσσετε το αλυσοπριονό για μεγάλο χρονικό διάστημα πρέπει να αφαιρείτε την αλυσίδα πριονιού και τη λάμα-οδηγό αλυσίδας και να τα φυλάσσετε μέσα σε λάδι. Φυλάσσετε όλα τα εξαρτήματα του αλυσοπριονιού σε ένα ξηρό, ασφαλές μέρος μακριά από τα παιδιά.
- ◆ Πάντα ρυθμίζετε τη θέση του καλωδίου τροφοδοσίας έτσι ώστε να μην πιαστεί σε κλαδιά ή αλλού κατά την κοπή.

- ◆ Συνιστάται να στραγγίσετε το δοχείο λαδιού πριν από την φόλαξη.
- ◆ Βεβαιωθείτε ότι πατάτε καλά και σταθερά και προβλέψτε ένα δρόμο διαφυγής από το δέντρο ή τα κλαδιά που θα πέσουν.
- ◆ Χρησιμοποιείτε σφήνες για να ελέγχετε καλύτερα την υλοτόμηση δένδρων και για να αποφεύγετε το σφήνωμα της λάμας-οδηγού αλυσίδας και της αλυσίδας του πριονιού μέσα στην τομή.
- ◆ Φροντίδα της αλυσίδας του πριονιού. Διατηρείτε την αλυσίδα του πριονιού αιχμηρή και σφιγμένη πάνω στη λάμα-οδηγό αλυσίδας. Βεβαιωθείτε ότι η αλυσίδα του πριονιού και η λάμα-οδηγός αλυσίδας είναι καθαρές και καλά λαδωμένες. Διατηρείτε τις λαβές στεγνές, καθαρές, χωρίς λάδι και γράσο.

Ανάδραση μπορεί να προκληθεί στις παρακάτω περιπτώσεις:

- ◆ Αν χτυπήσετε κλαδιά ή άλλα αντικείμενα τυχαία με μια αιχμή του πριονιού ενώ η αλυσίδα κινείται.
- ◆ Αν χτυπήσετε μέταλλο, τσιμέντο ή άλλο σκληρό υλικό που βρισκείται κοντά στο ξύλο ή χωμένο μέσα στο ξύλο.
- ◆ Αν η αλυσίδα είναι στομωμένη ή λασκαρισμένη.
- ◆ Αν κόβετε πάνω από το ύψος του ώμου.
- ◆ Αν δεν προσέχετε όταν κρατάτε ή καθοδηγείτε το αλυσοπρίονο κατά την διάρκεια της κοπής.
- ◆ Αν δεν φτάνετε καλά το σημείο που θέλετε να κόψετε. Φροντίστε πάντοτε να έχετε την κατάλληλη στάση και να διατηρείτε την ισορροπία σας και να μην προσπαθείτε να κόψετε σημεία που δεν φτάνετε καλά.
- ◆ Μην προσπαθήσετε να το εισάγετε σε παλιότερη κοπή. Θα μπορούσε να προκληθεί ανάδραση. Κάντε μια νέα κοπή κάθε φορά.
- ◆ Συνιστάται να μην προσπαθήσετε να λειτουργήσετε το αλυσοπρίονο όταν στέκεστε πάνω σε δέντρο, κινητή σκάλα ή άλλες ασταθείς επιφάνειες. Αν αποφασίσετε να το κάνετε, να γνωρίζετε ότι αυτές οι θέσεις είναι πάρα πολύ επικίνδυνες.
- ◆ Όταν κόβετε ένα κλαδί που είναι υπό πίεση, να προσέχετε να μην σας χτυπήσει όταν απελευθερωθεί από την πίεση και πεταχτεί προς τα πίσω.

Μην κόβετε:

- ◆ Έτοιμη ξυλεία.
- ◆ Το έδαφος.
- ◆ Φράχτες από συρματόπλεγμα, καρφιά κτλ.
- ◆ Μικρούς θάμνους και δενδρύλλια γιατί τα λεπτά υλικά μπορεί να πιαστούν στην αλυσίδα και να πιναχτούν προς εσάς ή να σας κάνουν να χάσετε την ισορροπία σας.
- ◆ Μη χρησιμοποιείτε το αλυσοπρίονο πάνω από το ύψος του ώμου σας.
- ◆ Βεβαιωθείτε πως υπάρχει κάποιος κοντά (αλλά σε απόσταση ασφαλείας) για την περίπτωση ατυχήματος.

- ◆ Αν για οποιονδήποτε λόγο πρέπει να ακουμπήσετε την αλυσίδα, βεβαιωθείτε ότι το αλυσοπρίονο είναι απουσιονδεμένο από την παροχή ρεύματος.
- ◆ Ο θόρυβος που προκαλείται από το προϊόν αυτό μπορεί να ξεπεράσει τα 80 dB(A). Επομένως σας συνιστούμε να λαμβάνετε τα απαραίτητα μέτρα για την προστασία της ακοής σας.

Υπολειπόμενοι κίνδυνοι

Κατά τη χρήση του εργαλείου μπορεί να δημιουργηθούν πρόσθετοι υπολειπόμενοι κίνδυνοι, οι οποίοι ενδέχεται να μη συμπεριλαμβάνονται στις προειδοποιήσεις ασφαλείας που εσωκλείονται. Αυτοί οι κίνδυνοι μπορεί να προκληθούν από κακή χρήση, παρατεταμένη χρήση κλπ.

Παρά την εφαρμογή των σχετικών κανονισμών ασφαλείας και τη χρήση διατάξεων ασφαλείας, ορισμένοι υπολειπόμενοι κίνδυνοι δεν είναι δυνατό να αποφευχθούν. Σε αυτούς περιλαμβάνονται:

- ◆ Τραυματισμοί από επαφή με οποιαδήποτε περιστρεφόμενα/ κινούμενα μέρη.
- ◆ Τραυματισμοί κατά την αλλαγή οποιονδήποτε εξαρτημάτων, λεπίδων ή αξεσουάρ.
- ◆ Σωματικές βλάβες από παρατεταμένη χρήση εργαλείου. Όταν χρησιμοποιείτε οποιοδήποτε εργαλείο για παρατεταμένα χρονικά διαστήματα, μην παραλείπετε με κανένα τρόπο να κάνετε τακτικά διαλείμματα.
- ◆ Βλάβη της ακοής.
- ◆ Κίνδυνοι για την υγεία λόγω εισπνοής σκόνης που αναπτύσσεται κατά τη χρήση του εργαλείου (παραδείγματα: εργασία με ξύλο, ειδικά βελανιδιά, οξιά και MDF).

Κραδασμοί

Η δηλωμένη τιμή εκπομπής κραδασμών και η δηλωμένη τιμή (τιμές) εκπομπής θορύβου που αναφέρονται στα τεχνικά χαρακτηριστικά και τη δήλωση συμμόρφωσης έχουν μετρηθεί σύμφωνα με τυποποιημένη μέθοδο δοκιμής που προβλέπεται από το πρότυπο EN 62841 και μπορούν να χρησιμοποιηθούν για τη σύγκριση ενός εργαλείου με ένα άλλο. Η δηλωμένη τιμή εκπομπών κραδασμών και η δηλωμένη τιμή (ή τιμές) εκπομπών θορύβου μπορούν επίσης να χρησιμοποιηθούν σε μια προκαταρκτική αξιολόγηση της έκθεσης.

Προειδοποίηση! Στην πράξη, η τιμή εκπομπής κραδασμών και θορύβου κατά την χρήση του ηλεκτρικού εργαλείου μπορεί να διαφέρει από την τιμή που δηλώθηκε, ανάλογα με τον τρόπο που χρησιμοποιείται το εργαλείο. Το επίπεδο κραδασμών μπορεί να αυξηθεί πάνω από το επίπεδο που έχει δηλωθεί.

Κατά τον προσδιορισμό της έκθεσης σε κραδασμούς για τον καθορισμό των απαιτούμενων μέτρων ασφαλείας σύμφωνα με την οδηγία 2002/44/ΕΚ για την προστασία προσώπων που χρησιμοποιούν συχνά ηλεκτρικά εργαλεία στην εργασία τους, μια προσεγγιστική εκτίμηση της έκθεσης σε κραδασμούς πρέπει να λαμβάνει υπόψη τις πραγματικές συνθήκες χρήσης

και τον τρόπο χρήσης του εργαλείου, συμπεριλαμβανομένων και όλων των επιμέρους τμημάτων του κύκλου εργασίας, όπως τα χρονικά διαστήματα που το εργαλείο ήταν εκτός λειτουργίας και τα διαστήματα λειτουργίας χωρίς φορτίο, επιπλέον του χρόνου πίεσης της σκανδάλης.

Ετικέτες πάνω στο εργαλείο

Το εργαλείο φέρει τα παρακάτω εικονογράμματα μαζί με τον κωδικό ημερομηνίας:



Προειδοποίηση! Για να μειωθεί ο κίνδυνος τραυματισμού, ο χρήστης πρέπει να διαβάσει το εγχειρίδιο οδηγιών.



Μη χρησιμοποιείτε το πριόνι σε υγρές συνθήκες και μην το εκθέτετε στη βροχή.



Φοράτε πάντοτε προστατευτικό εξοπλισμό για το κεφάλι, την ακοή και τα μάτια.



Φοράτε πάντα γάντια.



Φοράτε πάντα αντιολισθητικά υποδήματα ασφαλείας.



Πάντα κρατάτε το αλυσοπρίονο σταθερά και με τα δύο χέρια.



Μη χρησιμοποιείτε το αλυσοπρίονο μόνο με ένα χέρι.



Προσέχετε την ανάδραση του αλυσοπρίονου και αποφεύγετε την επαφή με το άκρο της λάμας αλυσίδας πριονιού.



Προσέχετε για τυχόν αντικείμενα που πέφτουν. Κρατάτε τους παρειρισκόμενους μακριά



Προειδοποίηση! Μην αγγίζετε την αλυσίδα του πριονιού στο σημείο εξαγωγής των απορριμμάτων κοπής



Κατεύθυνση περιστροφής της αλυσίδας του πριονιού.



Αποσυνδέστε αμέσως το καλώδιο από την πρίζα εάν φθαρεί ή κοπεί.



Ηχητική ισχύς εγγυημένη σύμφωνα με την Οδηγία 2000/14/ΕΚ.



Ηχητική ισχύς εγγυημένη σύμφωνα με την Οδηγία 2000/14/ΕΚ.



Ηχητική ισχύς εγγυημένη σύμφωνα με την Οδηγία 2000/14/ΕΚ.

Ασφαλής χρήση ηλεκτρικού ρεύματος



Αυτό το εργαλείο φέρει διπλή μόνωση. Επομένως, δεν απαιτείται αγωγός γείωσης. Ελέγχετε πάντα ότι η παροχή ρεύματος αντιστοιχεί στην τάση που αναφέρεται στην πινακίδα τεχνικών χαρακτηριστικών.

- ◆ Αν το καλώδιο ρεύματος έχει υποστεί ζημιά, πρέπει να αντικατασταθεί από τον κατασκευαστή ή από ένα εξουσιοδοτημένο Κέντρο σέρβις της BLACK+DECKER, ώστε να μην αποτελέσει κίνδυνο.

Χρήση καλωδίου προέκτασης

- ◆ Χρησιμοποιείτε πάντα εγκεκριμένο καλώδιο προέκτασης, κατάλληλο για την ισχύ εισόδου αυτού του εργαλείου (δείτε τεχνικά χαρακτηριστικά). Το καλώδιο προέκτασης πρέπει να είναι κατάλληλο για χρήση σε εξωτερικούς χώρους και να φέρει την αντίστοιχη σήμανση. Μπορείτε να χρησιμοποιήσετε ένα καλώδιο προέκτασης 2 x 1,5 mm² HO7RN-F μήκους έως 30 m, χωρίς απώλειες απόδοσης του εργαλείου. Πριν από τη χρήση, ελέγξτε προσεκτικά το καλώδιο προέκτασης για σημάδια ζημιάς, φθοράς και γήρανσης. Αντικαταστήστε το καλώδιο προέκτασης αν παρουσιάσει ζημιά ή ελάττωμα. Όταν χρησιμοποιείτε καλώδιο σε καρούλι, πάντα ξετυλίγετε τελείως το καλώδιο.

Πτώσεις τάσης

- ◆ Υπό ορισμένες συνθήκες τροφοδοσίας το προϊόν αυτό μπορεί να προκαλέσει σύντομες πτώσεις τάσης κατά την εκκίνηση.
- ◆ Μπορεί να επηρεαστεί άλλος εξοπλισμός. Για παράδειγμα, μπορεί να μειωθεί προσωρινά η φωτεινότητα ηλεκτρικών λαμπτήρων.
- ◆ Επικοινωνήστε με την αρχή τροφοδοσίας, εάν χρειάζεται, για να διαπιστώσετε εάν η αντίσταση της τροφοδοσίας είναι χαμηλότερη από 0,159 Ω. Είναι απίθανο να συμβούν διαταραχές υπό αυτή τη συνθήκη.

Προφυλαχθείτε από ηλεκτροπληξία

- ◆ Αποφύγετε τη σωματική επαφή με γειωμένες ή συνδεδεμένες με το έδαφος επιφάνειες (π.χ. μεταλλικά κινγκλιδώματα, λάμπες κλπ.).

Η ασφάλεια έναντι ηλεκτροπληξίας μπορεί να βελτιωθεί ακόμα περισσότερο αν χρησιμοποιηθεί διάταξη παραμένουστος ρεύματος (RCD) υψηλής ευαισθησίας (30 mA / 30 ms).



Προειδοποίηση! Η χρήση μιας διάταξης RCD ή μιας άλλης μονάδας διακοπής κυκλώματος δεν απαλλάσσει το χρήστη του αλυσοπριονίου από την τήρηση των οδηγιών ασφαλείας και των ασφαλών πρακτικών εργασίας που παρέχονται σε αυτό το εγχειρίδιο χρήσης.

Χαρακτηριστικά

1. Διακόπτης ενεργοποίησης/ απενεργοποίησης (On/Off)
2. Κομπτί ασφάλισης (δεν φαίνεται στην εικόνα)
3. Μπροστινός προφυλακτήρας χεριού
4. Λάμα-οδηγός αλυσίδας
5. Αλυσίδα του πριονιού
6. Συγκρότημα καλύμματος αλυσίδας πριονιού
7. Τροχός ρύθμισης τάνυσης αλυσίδας πριονιού
8. Κομβίο ασφάλισης ρύθμισης λάμας
9. Κάλυμμα λάμας-οδηγού
10. Καλώδιο ρεύματος
11. Ασφάλεια καλωδίου ρεύματος
12. Πώμα λαδιού
13. Δείκτης στάθμης λαδιού
14. Ακιδωτός προφυλακτήρας

Συναρμολόγηση



Προειδοποίηση! Να φοράτε πάντα προστατευτικά γάντια όταν πραγματοποιείτε εργασίες στο αλυσοπρίονο.



Προειδοποίηση! Πριν πραγματοποιήσετε οποιαδήποτε συναρμολόγηση ή συντήρηση σε ηλεκτρικά εργαλεία, απενεργοποιήστε τα και αποσυνδέστε τα από την παροχή ρεύματος.



Προειδοποίηση! Πριν τη συναρμολόγηση, αφαιρέστε το δεματικό καλωδίου το οποίο συγκρατεί την αλυσίδα πριονιού στη λάμα αλυσίδας.

Λάδωμα της αλυσίδας πριονιού

Αυτό πρέπει να το κάνετε όποτε χρησιμοποιείτε μια καινούργια αλυσίδα πριονιού (5) για πρώτη φορά. Πάρτε την καινούργια αλυσίδα πριονιού (5) και μουσκέψτε την σε λάδι αλυσίδων πριονιού για τουλάχιστον μια ώρα πριν τη χρησιμοποιήσετε. Χρησιμοποιείτε λάδι αλυσίδων πριονιού της BLACK+DECKER.

Συνιστάται να χρησιμοποιείτε μόνο λάδι BLACK+DECKER καθ' όλη τη διάρκεια ζωής του αλυσοπριονιού σας, καθώς μίγματα διαφορετικών λαδιών μπορεί να μειώσουν την ποιότητα του λαδιού, με αποτέλεσμα τη σοβαρή μείωση της διάρκειας ζωής της αλυσίδας και τη δημιουργία πρόσθετων κινδύνων.

Ποτέ μην χρησιμοποιείτε χρησιμοποιημένα λάδια, παχύ λάδι ή πολύ λεπτόρρευστο λάδι ραππομηχανής. Μπορεί να προκαλέσουν βλάβη στο αλυσοπρίονο σας.

Τοποθέτηση της λάμας-οδηγού και της αλυσίδας πριονιού. (εικ. A - G)

- ◆ Τοποθετήστε το αλυσοπρίονο πάνω σε σταθερή επιφάνεια.
- ◆ Περιστρέψτε αριστερόστροφα το κομβίο ασφάλισης ρύθμισης λάμας (8) όπως δείχνει η εικόνα A για να αφαιρέσετε το συγκρότημα καλύμματος αλυσίδας πριονιού (6).
- ◆ Φορώντας προστατευτικά γάντια, πιάστε την αλυσίδα του πριονιού (5) και τυλίξτε την γύρω από τη λάμα-οδηγό (4), διασφαλίζοντας ότι τα δόντια είναι στραμμένα προς τη σωστή κατεύθυνση (βλέτε εικόνα G).
- ◆ Βεβαιωθείτε ότι η αλυσίδα του πριονιού έχει τοποθετηθεί σωστά μέσα στην αυλάκωση σε όλη την περίμετρο της λάμας-οδηγού.
- ◆ Τοποθετήστε την αλυσίδα του πριονιού γύρω από τον οδοντωτό τροχό (16) ενώ ευθυγραμμίζετε την αυλάκωση της λάμας-οδηγού με το μπουλόνι (17) στη βάση του εργαλείου και τον πείρο τάνυσης αλυσίδας πριονιού (18) όπως δείχνει η εικόνα B.

ΣΗΜΕΙΩΣΗ: Ίσως χρειαστεί να προσαρμόσετε τη θέση του πείρου τάνυσης αλυσίδας πριονιού (18) για να εισέλθει σωστά στην εγκοπή της λάμας-οδηγού, περιστρέφοντας τον τροχό τάνυσης αλυσίδας πριονιού (7).

- ◆ Όταν είναι στη θέση της η αλυσίδα, περιστρέψτε τον τροχό τάνυσης αλυσίδας πριονιού (7) με το χέρι για να σφίξετε προκαταρκτικά το συγκρότημα και να το συγκρατήσετε στη θέση του.
- ◆ Ενώ κρατάτε τη λάμα ακίνητη, επανατοποθετήστε το κάλυμμα οδοντωτού τροχού (6). Βεβαιωθείτε ότι η προεξοχή (19) στο κάλυμμα ευθυγραμμίζεται με την εγκοπή (20) στο κύριο περίβλημα όπως δείχνει η εικόνα C. Περιστρέψτε δεξιόστροφα το κομβίο ασφάλισης ρύθμισης λάμας (8) και κατόπιν λασκάρετε το κομβίο (8) μία πλήρη στροφή, ώστε η αλυσίδα πριονιού να μπορεί να τεντωθεί κατάλληλα.
- ◆ Ακολουθήστε τις οδηγίες για τη "Ρύθμιση τάνυσης αλυσίδας πριονιού" στο τμήμα που ακολουθεί.

Ρύθμιση τάνυσης αλυσίδας πριονιού

Προειδοποίηση! Αιχμηρή αλυσίδα πριονιού. Φοράτε πάντα προστατευτικά γάντια όταν πιάνετε την αλυσίδα του πριονιού.

Η αλυσίδα πριονιού είναι κοφτερή και μπορεί να σας τραυματίσει χωρίς να βρίσκεται σε λειτουργία.

Προειδοποίηση! Αιχμηρή κινούμενη αλυσίδα πριονιού.

Για να αποτραπεί η ακούσια λειτουργία, βεβαιωθείτε ότι το εργαλείο έχει αποσυνδεθεί από το ρεύμα πριν πραγματοποιήσετε τις παρακάτω διαδικασίες. Σε αντίθετη περίπτωση υπάρχει κίνδυνος πρόκλησης σοβαρού τραυματισμού.

- ◆ Με το πριόνι πάνω σε μια σταθερή επιφάνεια, ελέγξτε την τάνυση της αλυσίδας του πριονιού (5). Η τάνυση είναι σωστή όταν η αλυσίδα πριονιού επανέρχεται αμέσως στη θέση της, αφού τραβηχτεί 3 mm από τη λάμα-οδηγό (4) με μικρή δύναμη με το μεσαίο δάχτυλο και τον αντίχειρα όπως δείχνει η εικόνα D.
- ◆ Για να προσταρμόσετε την τάνυση της αλυσίδας πριονιού, λασκάρτε το κομβίο ασφάλισης ρύθμισης αλυσίδας (8), περιστρέψτε τον τροχό τάνυσης αλυσίδας πριονιού (7) προς το πάνω μέρος του πριονιού για να αυξήσετε την τάνυση όπως δείχνει η εικόνα E. Σφίξτε καλά το κομβίο ασφάλισης της ρύθμισης αλυσίδας αφού βεβαιωθείτε ότι η αλυσίδα πριονιού (5) είναι σφιγμένη γύρω από τη λάμα-οδηγό (4).
- ◆ Η αλυσίδα πριονιού στην κάτω πλευρά δεν πρέπει να κάνει "κοιλιά" σε σχέση με τη λάμα-οδηγό όπως δείχνει η εικόνα F.
- ◆ Όταν είναι σωστή η τάνυση της αλυσίδας πριονιού, σφίξτε το κομβίο ασφάλισης ρύθμισης λάμας.
- ◆ Μην τεντώνετε υπερβολικά την αλυσίδα πριονιού, καθώς αυτό θα προκαλέσει υπερβολική φθορά και θα μειώσει τη διάρκεια ζωής της λάμας-οδηγού της αλυσίδας και της ίδιας της αλυσίδας του πριονιού.
- ◆ Όταν η αλυσίδα του πριονιού είναι καινούργια, ελέγχετε συχνά την τάνυση (αφού αποσυνδέετε το εργαλείο από το ρεύμα) κατά τις πρώτες 2 ώρες χρήσης, επειδή μια καινούργια αλυσίδα παρουσιάζει κάποια επιμήκυνση.

Αντικατάσταση της αλυσίδας πριονιού

Προειδοποίηση! Αιχμηρή αλυσίδα πριονιού. Φοράτε πάντα προστατευτικά γάντια όταν πιάνετε την αλυσίδα του πριονιού. Η αλυσίδα πριονιού είναι κοφτερή και μπορεί να σας τραυματίσει χωρίς να βρίσκεται σε λειτουργία.

Προειδοποίηση! Αιχμηρή κινούμενη αλυσίδα πριονιού.

Για να αποτραπεί η ακούσια λειτουργία, βεβαιωθείτε ότι το εργαλείο έχει αποσυνδεθεί από το ρεύμα πριν πραγματοποιήσετε τις παρακάτω διαδικασίες. Σε αντίθετη περίπτωση υπάρχει κίνδυνος πρόκλησης σοβαρού τραυματισμού.

- ◆ Περιστρέψτε αριστερόστροφα το κομβίο ασφάλισης ρύθμισης λάμας (8) για να μειώσετε την τάνυση αλυσίδας πριονιού.
- ◆ Αφαιρέστε το συγκρότημα καλύμματος αλυσίδας (6) όπως περιγράφεται στο τμήμα "Εγκατάσταση της λάμας-οδηγού και της αλυσίδας πριονιού".

- ◆ Ανασηκώστε τη φθαρμένη αλυσίδα πριονιού (5) έξω από την αυλάκωση της λάμας-οδηγού (4).
- ◆ Τοποθετήστε την καινούργια αλυσίδα πριονιού μέσα στην αυλάκωση της λάμας-οδηγού και βεβαιωθείτε ότι τα δόντια του πριονιού είναι στραμμένα στη σωστή κατεύθυνση ώστε το βέλος στην αλυσίδα πριονιού να συμφωνεί με το γραφικό πάνω στο συγκρότημα καλύμματος αλυσίδας (6), όπως δείχνει η εικόνα G.
- ◆ Ακολουθήστε τις προηγούμενες οδηγίες για εγκατάσταση της λάμας-οδηγού και της αλυσίδας πριονιού και την προσαρμογή της τάνυσης της αλυσίδας πριονιού.

Αυτόματο σύστημα λίπανσης με λάδι

Αυτό το αλυσοπριόνιο είναι εξοπλισμένο με αυτόματο σύστημα λίπανσης που διατηρεί την αλυσίδα του πριονιού και τη λάμα-οδηγό διαρκώς λιπασμένες. Ο δείκτης στάθμης λαδιού (13) δείχνει τη στάθμη λαδιού μέσα στο αλυσοπριόνιο. Αν η στάθμη λαδιού είναι χαμηλότερη από το ένα τέταρτο της πλήρους στάθμης, αποσυνδέστε το αλυσοπριόνιο από το ρεύμα και συμπληρώστε λάδι σωστού τύπου.

ΣΗΜΕΙΩΣΗ: Χρησιμοποιείτε υψηλής ποιότητας λάδι λίπανσης λάμας και αλυσίδας πριονιού, για να επιτυγχάνετε τη σωστή λίπανση αλυσίδας πριονιού και λάμας. Ως προσωρινό υποκατάστατο μπορείτε να χρησιμοποιήσετε ένα λάδι κινητήρα SAE30 χωρίς απορρυπαντικό. Συνιστάται η χρήση λαδιού φυτικής βάσης για τη λίπανση λάμας και αλυσίδας όταν κλαδεύετε δέντρα. Δεν συνιστάται ορυκτέλαιο, επειδή μπορεί να προκαλέσει βλάβες στα δέντρα. Σε καμία περίπτωση μη χρησιμοποιήσετε μεταχειρισμένο λάδι ή πολύ παχύρρευστο λάδι. Μπορεί να προκαλέσουν βλάβη στο αλυσοπριόνιο σας.

Γέμισμα του ρεζερβουάρ λαδιού

- ◆ Αφαιρέστε το πώμα λαδιού (12) και γεμίστε το ρεζερβουάρ λαδιού με το συνιστώμενο λάδι αλυσίδας πριονιού έως ότου η στάθμη του λαδιού έχει φθάσει στο πάνω μέρος του δείκτη στάθμης λαδιού (13).
- ◆ Τοποθετήστε ξανά το πώμα λαδιού.
- ◆ Περιοδικά απεργολογείτε το αλυσοπριόνιο και ελέγχετε τον δείκτη στάθμης λαδιού για να διασφαλίζετε ότι λιπαίνονται σωστά η λάμα και η αλυσίδα πριονιού.

Σύνδεση καλωδίου προέκτασης

Στη λαβή διακόπτη έχει ενσωματωθεί ένα εξάρτημα συγκράτησης καλωδίου προέκτασης (11). Αποτρέπει την αποσύνδεση του καλωδίου προέκτασης από το ρεύμα.

- ◆ Διπλώστε το καλώδιο προέκτασης και εισάγετέ το στο άνοιγμα (21) στο άκρο της περιοχής της λαβής όπως δείχνει η εικόνα H. Αναρτήστε τη θηλιά που δημιουργείται με το δίπλωμα του καλωδίου πάνω από το εξάρτημα συγκράτησης καλωδίου (11).

Τραβήξτε ελαφρά το καλώδιο για να βεβαιωθείτε ότι έχει στερεωθεί καλά μέσα στην ειδική λαβή. Συνδέστε το άκρο πρίζας του καλωδίου προέκτασης στο καλώδιο ρεύματος (12) του αλυσοπριονίου.

Μεταφορά του πριονιού

- ♦ Πάντα καλύπτετε τη λάμα-οδηγό (4) με το κάλυμμα λάμας-οδηγού (9) (εικόνα J), όταν μεταφέρετε το πριόνι.
- ♦ Όταν δεν χρησιμοποιείται η μονάδα, ο μπροστινός προφυλακτήρας χεριού (3) πρέπει να στρώχνεται προς τα εμπρός ώστε να απομονώνεται η μονάδα. Ο χρήστης δεν πρέπει ποτέ να αλλάζει θέση με τον προφυλακτήρα στην ενεργοποιημένη θέση.

Χρήση του αλυσοπριονίου

Προειδοποίηση! Διαβάστε και κατανοήστε όλες τις οδηγίες. Η μη τήρηση οποιασδήποτε από τις οδηγίες που αναφέρονται πιο κάτω μπορεί να έχει ως αποτέλεσμα ηλεκτροπληξία, πυρκαγιά και/ή σοβαρό τραυματισμό ατόμων.

Ενεργοποίηση και απενεργοποίηση

- ♦ Για να ενεργοποιήσετε το εργαλείο, πιέστε το κουμπί ασφάλισης (2) και πατήστε τον διακόπτη σκανδάλης (1) όπως δείχνει η εικόνα Η. (Αφού αρχίσει να λειτουργεί το εργαλείο μπορείτε να αφήσετε ελεύθερο το κουμπί ασφάλισης.)
- ♦ Για να απενεργοποιήσετε το εργαλείο, ελευθερώστε τον διακόπτη σκανδάλης.

ΣΗΜΕΙΩΣΗ: Δεν είναι επιφύλαξη η ενεργοποίηση του εργαλείου εάν ο μπροστινός προφυλακτήρας χεριού (3) δεν βρίσκεται στην θέση "λειτουργίας".

Τοποθέτηση του μπροστινού προφυλακτήρα χεριού στη θέση λειτουργίας

- ♦ Βεβαιωθείτε ότι το εργαλείο είναι αποσυνδεδεμένο από την παροχή ρεύματος.
- ♦ Τραβήξτε τον μπροστινό προφυλακτήρα χεριού (3) πάλι στη θέση "λειτουργίας".
- ♦ Το εργαλείο είναι τώρα έτοιμο για χρήση.

Πώς λειτουργεί ο μπροστινός προφυλακτήρας χεριού

Σε περίπτωση ανάδρασης, το αριστερό σας χέρι έρχεται σε επαφή με τον μπροστινό προφυλακτήρα χεριού (3), στρώχνοντάς τον προς τα εμπρός, προς το αντικείμενο εργασίας και σταματά το εργαλείο μέσα σε κλάσματα του δευτερολέπτου.

Υλοτόμηση δένδρων (εικ. Κ, L & M)

Οι μη πεπειραμένοι χρήστες δεν πρέπει να επιχειρούν να κόψουν δέντρα. Ο χρήστης μπορεί να υποστεί τραυματισμό ή να προκαλέσει υλική ζημία λόγω αποτυχίας ελέγχου της κατεύθυνσης πτώσης, το δέντρο μπορεί να σχιστεί ή να καταστραφεί/νέκρω κλαδιά μπορεί να πέσουν κατά την κοπή:

Η απόσταση ασφαλείας ανάμεσα στο δέντρο που θα κοπεί και τους παρευρισκόμενους, κτίρια και άλλα αντικείμενα πρέπει να είναι τουλάχιστον 2 1/2 φορές το ύψος του δέντρου. Κάθε παρευρισκόμενος, κτίριο ή αντικείμενο που βρίσκεται μέσα σ' αυτή την απόσταση βρίσκεται σε κίνδυνο χτυπήματος από το δέντρο όταν κόβεται.

Πριν επιχειρήσετε να κόψετε ένα δέντρο:

- ♦ Βεβαιωθείτε ότι δεν υπάρχουν τοπικοί νόμοι ή κανονισμοί που απαγορεύουν ή περιορίζουν το κόψιμο των δέντρων.
- ♦ Λάβετε υπόψη όλους τους παράγοντες που ενδέχεται να επηρεάσουν την κατεύθυνση της πτώσης, συμπεριλαμβανομένων:
 - ♦ Της επιθυμητής κατεύθυνσης της πτώσης.
 - ♦ Της φυσικής κλίσης του δέντρου:
 - ♦ Οποιοσδήποτε δομικού χαρακτηριστικού του κλαδιού με μεγάλο βάρος ή τυχόν σημείου σήψης.
 - ♦ Των γύρω δέντρων και εμποδίων, συμπεριλαμβανομένων των αναρτημένων συρμάτων, σχοινιών, καλωδίων κλπ. και των υπόγειων αγωγών που υπάρχουν στο χώρο.
 - ♦ Της ταχύτητας και της διεύθυνσης του ανέμου.

Σχεδιάστε μια ασφαλή διαφυγή από το δέντρο ή τα κλαδιά του καθώς πέφτουν.

Βεβαιωθείτε ότι το δρόμος διαφυγής δεν έχει εμπόδια τα οποία θα μπορούσαν να εμποδίσουν την απομάκρυνση. Έχετε υπόψη ότι το υγρό γρασιδί και ο φλοιός δέντρου που έχει κοπεί πρόσφατα είναι ολισθηρά.

- ♦ Μην επιχειρείτε να κόψετε δέντρα των οποίων η διάμετρος είναι μεγαλύτερη από το μήκος κοπής του αλυσοπριονίου:
- ♦ Πραγματοποιήστε μια κατευθυντήρια τομή για τον προσδιορισμό της κατεύθυνσης πτώσης.
- ♦ Πραγματοποιήστε μια οριζόντια τομή σε βάθος από 1/5 έως 1/3 της διαμέτρου του δέντρου, κάθετη στη γραμμική πτώσης στη βάση του δέντρου (εικ. Κ).
- ♦ Πραγματοποιήστε μια δεύτερη τομή από τα πάνω για να διασταυρωθεί με την πρώτη και να σχηματίσει μια τομή 45° περίπου.
- ♦ Δημιουργήστε μία μόνο οριζόντια τομή υλοτόμησης από την άλλη πλευρά 25 mm έως 50 mm πάνω από το κέντρο της κατευθυντήριας τομής. (εικ. L). Μην κόψετε έως την κατευθυντήρια τομή, θα μπορούσατε να χάσετε τον έλεγχο της κατεύθυνσης πτώσης.
- ♦ Εισάγετε μία ή περισσότερες σφήνες στην τομή υλοτόμησης για να την ανοίξετε και να ρίξετε το δέντρο (εικ. M).

Κλάδεμα δέντρων

Βεβαιωθείτε ότι δεν υπάρχουν τοπικοί νόμοι ή κανονισμοί που απαγορεύουν ή περιορίζουν το κλάδεμα των κλαδιών των δέντρων. Το κλάδεμα θα πρέπει να αναλαμβάνουν μόνο πεπειραμένα άτομα, ειδικά αυξάνεται ο κίνδυνος από την εμπλοκή της αλυσίδας του πριονιού και από ανάδραση.

Πριν το κλάδεμα λάβετε υπόψη όλες τις συνθήκες που μπορούν να επηρεάσουν την κατεύθυνση πτώσης, συμπεριλαμβανομένων:

- ♦ Του μήκους και του βάρους του κλαδιού που θα κοπεί.
- ♦ Οποιοδήποτε δομικό χαρακτηριστικού του κλαδιού με μεγάλο βάρος ή τυχόν σημείο σήψης.
- ♦ Των γύρω δέντρων και εμποδίων, συμπεριλαμβανομένων των αναρτημένων συρμάτων, σχοινίων, καλωδίων κλπ. που υπάρχουν στο χώρο.
- ♦ Της ταχύτητας και της διεύθυνσης του ανέμου:
- ♦ Της εμπλοκής των κλαδιών με άλλα κλαδιά.

Ο χειριστής πρέπει να εξετάζει την πρόσβαση στο κλαδί του δέντρου και την κατεύθυνση πτώσης. Τα κλαδιά του δέντρου μπορεί να αιωρηθούν προς το κορμό του δέντρου. Εκτός από τον χρήστη, κάθε παρευρισκόμενος, κτίριο ή αντικείμενο κάτω από το κλαδί εκτίθεται σε κίνδυνο.

- ♦ Για να αποφύγετε το σχίσμο, πρώτα, κόψτε από κάτω προς τα πάνω έως μέγιστο βάθος ένα τρίτο της διαμέτρου του κλαδιού.
- ♦ Πραγματοποιήστε τη δεύτερη τομή από πάνω προς τα κάτω έως να συναντήσετε την πρώτη κοπή.

Κοπή κορμών (εικ. Ν, Ο & Ρ)

Ο τρόπος κοπής εξαρτάται από τον τρόπο στήριξης του κορμού. Χρησιμοποιείτε καβαλέτο όποτε είναι δυνατόν. Ξεκινάτε πάντα να κόβετε με την αλυσίδα πριονιού σε κίνηση και με τον ακιδωτό προφυλακτήρα (22) σε επαφή με το ξύλο (εικ. Ν).

Για να ολοκληρώσετε την κοπή χρησιμοποιήστε την περιστροφική κίνηση του ακιδωτού προφυλακτήρα πάνω στο ξύλο.

Όταν στηρίζεται σε όλο το μήκος του:

- ♦ Κάντε μια κοπή προς τα κάτω, αποφεύγοντας να έρθει σε επαφή η αλυσίδα με το έδαφος, αλλιώς η αλυσίδα θα στομώσει γρήγορα.

Όταν στηρίζεται στα δύο άκρα:

- ♦ Πρώτα, κόψτε κατά ένα τρίτο προς τα κάτω για να αποφύγετε το σχίσμο και κατόπιν κόψτε προς τα πάνω για να συναντήσετε την πρώτη τομή.

Όταν στηρίζεται στο ένα άκρο:

- ♦ Πρώτα, κόψτε κατά ένα τρίτο προς τα πάνω για να αποφύγετε το σχίσμο και κατόπιν κόψτε προς τα κάτω για να αποφύγετε το σχίσμο.

Σε έδαφος με κλίση:

- ♦ Να στέκεστε πάντα από την πάνω μεριά.

Όταν επιχειρείτε να κόψετε έναν κορμό πάνω στο έδαφος (εικ. Ο)

- ♦ Ασφαλίστε το αντικείμενο εργασίας χρησιμοποιώντας τάκουσ ή σφήνες. Ο χρήστης ή τυχόν παρευρισκόμενα άτομα δεν πρέπει να κάθονται ή να στέκονται πάνω στον κορμό για να τον σταθεροποιήσουν. Βεβαιωθείτε ότι η αλυσίδα δεν θα έρθει σε επαφή με το έδαφος.

Όταν χρησιμοποιείτε καβαλέτο (εικ. Ρ):

Αυτό συνιστάται θερμά όταν είναι εφικτό.

- ♦ Τοποθετήστε τον κορμό σε μια σταθερή θέση. Κόβετε πάντα από την εξωτερική πλευρά των στηριγμάτων του καβαλέτου. Χρησιμοποιείτε σφιγκτήρες ή λουριά για να ασφαλίσετε το αντικείμενο εργασίας.

Αποκλάδωση (εικ. Q)

Αφαίρεση των κλαδιών από υλοτομημένο δέντρο. Κατά την αποκλάδωση, αφήστε τα μεγαλύτερα, κατώτερα κλαδιά να στηρίζουν τον κορμό σε απόσταση από το έδαφος. Αφαιρέστε τα μικρά κλαδιά με μία ενέργεια κοπής. Τα τεντωμένα κλαδιά πρέπει να κόβονται από το κάτω μέρος του κλαδιού προς το επάνω μέρος για να αποτραπεί η εμπλοκή του αλυσοπριονίου. Κόψτε τα κλαδιά από την αντίθετη πλευρά, κρατώντας τον κορμό του δέντρου ανάμεσα σε σας και το πριόνι. Ποτέ μην εκτελείτε κοπές με το πριόνι ανάμεσα στα πόδια σας και μην τοποθετείτε τα πόδια σας εκατέρωθεν του κλαδιού που πρόκειται να κόψετε.

Αντιμετώπιση προβλημάτων

Προβλήμα	Πιθανή αιτία	Πιθανή λύση
Το εργαλείο δεν ενεργοποιείται	Το κουμπί ασφάλισης δεν είναι πατημένο.	Πατήστε το κουμπί ασφάλισης.
	Μπροστινός προφυλακτήρας χεριού στη θέση φρένου	Επαναφορά του μπροστινού προφυλακτήρας χεριού
	Καμένη ασφάλεια	Αντικαταστήστε την ασφάλεια
	Διακοπή λειτουργίας της διάταξης RCD	Ελέγξτε τη διάταξη RCD
	Το καλώδιο ρεύματος δεν είναι συνδεδεμένο	Ελέγξτε την παροχή ρεύματος από το ηλεκτρικό δίκτυο
Η αλυσίδα δεν ακινητοποιείται εντός 2 δευτερολέπτων όταν απενεργοποιείται το εργαλείο	Η αλυσίδα του πριονιού είναι πολύ λασκαρισμένη	Ελέγξτε την τάση της αλυσίδας πριονιού
Η λάμα/αλυσίδα φαίνονται θερμές/καπνίζουν	Κενό δοχείο λαδιού	Ελέγξτε τη στάθμη στο δοχείο λαδιού
	Φραγμένη οπή λαδιού στη λάμα αλυσίδας πριονιού	Καθαρίστε τις οπές λαδιού και καθαρίστε την αλσάκωση γύρω από το άκρο της λάμας αλυσίδας πριονιού.

Πρόβλημα	Πιθανή αιτία	Πιθανή λύση
Η λάμα/αλυσίδα φαίνονται θερμές/καπνίζουν	Η αλυσίδα του πριονιού είναι υπερβολικά τεντωμένη	Ελέγξτε την τάνυση της αλυσίδας πριονιού
	Η μύτη οδοντωτού τροχού της λάμας-οδηγού αλυσίδας χρειάζεται λίπανση	Λαδώστε τη μύτη οδοντωτού τροχού της λάμας-οδηγού αλυσίδας
Το αλυσοπρίονο δεν κόβει καλά	Η αλυσίδα του πριονιού έχει τοποθετηθεί ανάποδα	Ελέγξτε/αλλάξτε την κατεύθυνση της αλυσίδας πριονιού
	Η αλυσίδα πριονιού είναι στομωμένη	Ακονίστε ή αντικαταστήστε την αλυσίδα πριονιού
Το αλυσοπρίονο δεν καταναλώνει λάδι	Άχρηστα υλικά στη δεξαμενή	Αδειάστε το λάδι από τη δεξαμενή και αντικαταστήστε
	Οπή λαδιού στο πώμα φραγμένη	Αφαιρέστε τα άχρηστα υλικά από την οπή
	Άχρηστα υλικά στη λάμα αλυσίδας πριονιού	Αφαιρέστε τα άχρηστα υλικά και καθαρίστε τη λάμα αλυσίδας πριονιού
	Άχρηστα υλικά στην έξοδο λαδιού	Αφαιρέστε τα άχρηστα υλικά

Συντήρηση

Η τακτική συντήρηση εξασφαλίζει μεγάλη διάρκεια ζωής του εργαλείου. Συνιστάται να πραγματοποιείτε τους ακόλουθους ελέγχους σε τακτική βάση.

Προειδοποίηση! Πριν πραγματοποιήσετε οποιοδήποτε συντήρηση σε ηλεκτρικά εργαλεία:

- ◆ Θέστε εκτός λειτουργίας και αποσυνδέστε το εργαλείο από την πρίζα.

Στάθμη λαδιού

Η στάθμη στο δοχείο δεν πρέπει να πέφτει κάτω από το ένα τέταρτο γεμάτο.

Αλυσίδα πριονιού και λάμα-οδηγός (εικ. F)

- ◆ Μετά από κάθε λίγες ώρες χρήσης και πριν τη φύλαξη, αφαιρέστε τη λάμα-οδηγό αλυσίδας (4) και την αλυσίδα πριονιού (5) και καθαρίστε τα σχολαστικά.
- ◆ Βεβαιωθείτε ότι ο προφυλακτικός χεριού είναι καθαρός και απαλλαγμένος από κατάλοιπα κοπής.

Προειδοποίηση! Μη σφίξτε υπερβολικά.

- ◆ Λαδώστε τη μύτη οδοντωτού τροχού μέσω της οπής λίπανσης του οδοντωτού τροχού. Έτσι εξασφαλίζεται ομοιόμορφη κατανομή της φθοράς γύρω από τις ράγες της λάμας-οδηγού.

Ακόνισμα της αλυσίδας του πριονιού

Για την καλύτερη δυνατόν απόδοση του εργαλείου, είναι σημαντικό να κρατάτε τα δόντια της αλυσίδας ακονισμένα.

Αντικατάσταση των φθαρμένων αλυσίδων

Τα εξουσιοδοτημένα κέντρα επισκευών BLACK+DECKER διαθέτουν ανταλλακτικές αλυσίδες. Χρησιμοποιείτε πάντα γνήσια ανταλλακτικά.

Αντικατάσταση της αλυσίδας πριονιού:

BECS1835 Αλυσίδα 35 cm A6235CS

BECS2040 Αλυσίδα 40 cm A6240CS

BECS2245 Αλυσίδα 45 cm A6245CS

Ικανότητα κοπής της αλυσίδας πριονιού

Οι κόφτες της αλυσίδας θα στομώσουν αμέσως εάν έρθουν σε επαφή με το έδαφος ή ένα καρφί κατά τη διάρκεια της κοπής.

Τάνυση της αλυσίδας πριονιού

Ελέγχετε τακτικά την τάνυση της αλυσίδας.

Αν το αλυσοπρίονο χρειάζεται επισκευή.

Το αλυσοπρίονό σας κατασκευάστηκε σύμφωνα με τις σχετικές προδιαγραφές ασφαλείας. Οι επισκευές θα πρέπει να γίνονται μόνο από ειδικευμένους τεχνικούς και με τη χρήση αποκλειστικά γνήσιων ανταλλακτικών, διαφορετικά υπάρχει το ενδεχόμενο σοβαρού κινδύνου για το χρήστη. Συνιστάται να φυλάσσετε αυτό το εγχειρίδιο χρήσης σε ένα ασφαλές μέρος.

Αντικατάσταση του φις ρευματοληψίας (Ην. Βασίλειο & Ιρλανδία μόνο)

Αν χρειάζεται να τοποθετηθεί νέο φις ρευματοληψίας:

- ◆ Απορρίψτε το παλιό φις με ασφαλή τρόπο.
- ◆ Συνδέστε τον καφέ αγωγό στον ηλεκτροφόρο ακροδέκτη του νέου ρευματολήπτη.
- ◆ Συνδέστε το μπλε αγωγό στον ουδέτερο ακροδέκτη.

Προειδοποίηση! Δεν πρέπει να γίνει σύνδεση στον ακροδέκτη γείωσης. Ακολουθήστε τις οδηγίες συναρμολόγησης που συνοδεύουν τα καλής ποιότητας φις. Συνιστώμενη ασφάλεια: 10 Α.

Προστασία του περιβάλλοντος



Χωριστή συλλογή. Τα προϊόντα και οι μπαταρίες που επισημαίνονται με αυτό το σύμβολο δεν πρέπει να απορρίπτονται μαζί με τα κανονικά οικιακά απορρίμματα

Τα προϊόντα και οι μπαταρίες περιέχουν υλικά που μπορούν να ανακτηθούν ή να ανακυκλωθούν, ώστε να μειωθούν οι ανάγκες για πρώτες ύλες.

Παρακαλούμε να ανακυκλώνετε τα ηλεκτρικά προϊόντα και τις μπαταρίες σύμφωνα με τους τοπικούς κανονισμούς. Περισσότερες πληροφορίες διατίθενται στον ιστότοπο www.2helpU.com

Τεχνικά χαρακτηριστικά

		BECS1835 Τύπος 1	BECS2040 Τύπος 1	BECS2245 Τύπος 1
Τάση	V _{ac}	230 V	230 V	230 V
Μήκος λάμας	cm	35	40	46
Μέγ. μήκος λάμας	mm	419	459	511
Ταχύτητα αλυσίδας πριονιού (χωρίς φορτίο)	m/s	14,5	14,5	14,5
Μέγιστο μήκος κοπής	mm	319	368	407
Χωρητικότητα δοχείου λαδιού	ml	170	170	170
Βάρος (χωρίς αλυσίδα πριονιού, λάμα-οδηγό, λάδι)	kg	4,1	4,1	4,3

BECS1835 Τιμή θορύβου μετρημένη σύμφωνα με το EN62841:

LpA (ηχητική πίεση) 99 dB(A), αβεβαιότητα (K) 3 dB(A)
LwA (ηχητική ισχύς) 109 dB(A), αβεβαιότητα (K) 1,6 dB(A)

BECS1835 Συνολικές τιμές κραδασμών (δυναμιακό άθροισμα τριών αξόνων) σύμφωνα με το πρότυπο EN 602841:

Τιμή εκπομπών κραδασμών (a_h) = 3,8 m/s², αβεβαιότητα (K) = 1,5 m/s²

BECS2040 Τιμή θορύβου μετρημένη σύμφωνα με το EN62841:

LpA (ηχητική πίεση) 100 dB(A), αβεβαιότητα (K) 3 dB(A)
LwA (ηχητική ισχύς) 110 dB(A), αβεβαιότητα (K) 1,8 dB(A)

BECS2040 Συνολικές τιμές κραδασμών (δυναμιακό άθροισμα τριών αξόνων) σύμφωνα με το πρότυπο EN 602841:

Τιμή εκπομπών κραδασμών (a_h) = 5,2 m/s², αβεβαιότητα (K) = 1,5 m/s²

BECS2245 Τιμή θορύβου μετρημένη σύμφωνα με το EN62841:

LpA (ηχητική πίεση) 98 dB(A), αβεβαιότητα (K) 3 dB(A)
LwA (ηχητική ισχύς) 108 dB(A), αβεβαιότητα (K) 1,6 dB(A)

BECS2245 Συνολικές τιμές κραδασμών (δυναμιακό άθροισμα τριών αξόνων) σύμφωνα με το πρότυπο EN 602841:

Τιμή εκπομπών κραδασμών (a_h) = 4,1 m/s², αβεβαιότητα (K) = 1,5 m/s²

**Δήλωση συμμόρφωσης EK
ΟΔΗΓΙΑ ΠΕΡΙ ΜΗΧΑΝΗΜΑΤΩΝ**

BECS1835, BECS2040, BECS2245 Αλυσοπριόνιο
Η Black & Decker δηλώνει ότι τα προϊόντα αυτά που περιγράφονται στα "τεχνικά χαρακτηριστικά" συμμορφώνονται με τα ακόλουθα: 2006/42/EK, EN 62841-1:2015+A11:2022, EN 62841-4-1:2020 2000/14/EK, Παράρτημα V

BECS2040: LWA (μετρημένη στάθμη ηχητικής ισχύος) 110 dB(A),

αβεβαιότητα (K)= 1,8 dB(A),

LWA (εγγυημένη ηχητική ισχύς) 112 dB(A)

BECS1835: Μετρηθείσα στάθμη ηχητικής ισχύος LWA: 109 dB(A). K = 1,6 dB(A).

Εγγύηση ηχητική ισχύς LWA: 111 dB(A).

BECS2245: Μετρηθείσα στάθμη ηχητικής ισχύος LWA: 108 dB(A). K = 1,6 dB(A).

Εγγύηση ηχητική ισχύς LWA: 110 dB(A)

Αυτά τα προϊόντα συμμορφώνονται επίσης με την Οδηγία 2014/30/EE και 2011/65/EE.

Για περισσότερες πληροφορίες, επικοινωνήστε με την Black & Decker στην παρακάτω διεύθυνση ή ανατρέξτε στο πίσω μέρος του χειριριδίου.

Ο κάτωθι υπογεγραμμένος είναι υπεύθυνος για την κατάρτιση του τεχνικού φακέλου και δηλώνει τα παρόντα εκ μέρους της Black & Decker.

Patrick Diepenbach

Patrick Diepenbach
Γενικός Διευθυντής, Μπενελούξ
Black & Decker,
Egide Walschaertsstraat 14-18
2800 Mechelen, Belgium (Βέλγιο)
17/02/2023

Εγγύηση

Η Black & Decker είναι σίγουρη για την ποιότητα των προϊόντων της και προσφέρει στους καταναλωτές εγγύηση 24 μηνών από την ημερομηνία της αγοράς. Αυτή η εγγύηση συμπληρώνει και με κανένα τρόπο δεν παραβάλλει τα νόμιμα δικαιώματά σας.

Η εγγύηση ισχύει εντός της επικράτειας των χωρών μελών της Ευρωπαϊκής Ένωσης, της Ευρωπαϊκής Ζώνης Ελεύθερων Συναλλαγών και του Ηνωμένου Βασιλείου.

Για να υποβάλτε αξίωση βάσει της εγγύησης, η αξίωση θα πρέπει να είναι σύμφωνη με τους Όρους και προϋποθέσεις της Black & Decker και θα χρειαστεί να υποβάλτε απόδειξη αγοράς στον πωλητή ή σε εξουσιοδοτημένο αντιπρόσωπο επισκευών. Μπορείτε να αποκτήσετε τους Όρους και προϋποθέσεις της εγγύησης 2 ετών της Black & Decker και να μάθετε την τοποθεσία του πλησιέστερου εξουσιοδοτημένου αντιπροσώπου επισκευών στο Internet στο www.2helpU.com, ή επικοινωνώντας με το τοπικό σας γραφείο Black & Decker στη διεύθυνση που υποδεικνύεται στο παρόν χειριριδίο. Επισκεφθείτε την ιστοσελίδα μας www.blackanddecker.gr για να καταχωρίσετε το νέο σας προϊόν BLACK+DECKER και για να ενημερωθείτε για τα νέα προϊόντα και τις ειδικές προσφορές.

België/Belgique/Luxembourg www.blackanddecker.be enduser.be@sbdinc.com	Stanley Black & Decker Belgium BVBA Egide Walschaertsstraat 16 2800 Mechelen	Tel. NL +32 15 47 37 65 Tel. FR +32 15 47 37 66 Fax. +32 15 47 37 99
Danmark	Black & Decker Roskildevej 22 2620 Albertslund	kundeservice.dk@sbdinc.com www.blackanddecker.dk
Deutschland www.blackanddecker.de infobdgc@sbdinc.com	Stanley Black & Decker Deutschland GmbH Black & Decker Str. 40, D - 65510 Idstein	Tel. 06126 21-0 Fax 06126 21-2980
Ελλάδα www.blackanddecker.gr greece.service@sbdinc.com	Stanley Black & Decker (ΕΛΛΑΣ) Ε.Π.Ε ΓΡΑΦΕΙΑ: Σπύρου 7 & Βουλιαγμένης 166 74 Γλυφάδα - Αθήνα	Τηλ. 210-8981616 Φαξ 210-8983570
SERVICE:	Ημερος Τόπος 2 -Χάνι Αδάμ 193 00 Ασπρόπυργος - Αθήνα	Τηλ. Service 210-8985208 Φαξ 210-5597598
España www.blackanddecker.es respuesta.posventa@sbdinc.com	Stanley Black & Decker Ibérica, S.C.A. Parc de Negocis "Mas Blau" Edificio Muntadas, c/Bergadá, 1, Of. A6 08820 El Prat de Llobregat (Barcelona)	Tel. 934 797 400 Fax 934 797 419
France www.blackanddecker.fr	Stanley Black & Decker. 62 chemin de la Bruyère 69570 Dardilly, France	Tel. 04 72 20 39 20 Fax 04 72 20 39 00
Helvetia www.blackanddecker.ch service@rofoag.ch	ROFO AG Gewerbezone Seeblick 3213 Kleinbödingen	Tel. 026-6749393 Fax 026-6749394
Italia www.blackanddecker.it service.italia@sbdinc.com	Stanley Black & Decker Italia Via Energypark 6 20871 Vimercate (MB)	Tel. 039-9590200 Fax 039-9590313 Numero verde 800-213935
Nederland www.blackanddecker.nl enduser.nl@sbdinc.com	Stanley Black & Decker Netherlands BV Holtum Noordweg 35, 6121 RE BORN Postbus 83, 6120 AB BORN	Tel. +31 164 283 065 Fax +31 164 283 200
Norge	Black & Decker Postboks 4613, Nydalen 0405 Oslo	kundeservice.no@sbdinc.com www.blackanddecker.no
Österreich www.blackanddecker.at service.austria@sbdinc.com	Stanley Black & Decker Austria GmbH Oberlaaerstraße 248, A-1230 Wien	Tel. 01 66116-0 Fax 01 66116-614
Portugal www.blackanddecker.pt resposta.posvenda@sbdinc.com	Black & Decker Limited SARL Quinta da Fonte - Edifício Q55 D. Diniz Rua dos Malhões, 2 e 2A - Piso 2 Esquerdo 2770 - 071 Paço de Arcos	Tel. 214667500 Fax 214667580
Suomi	Black & Decker PL47 00521, Helsinki	asiakaspalvelu.fi@sbdinc.com www.blackanddecker.fi
Sverige	Black & Decker AB Box 94, 431 22 Mölndal	kundservice.se@sbdinc.com www.blackanddecker.se
Türkiye www.blackanddecker.com.tr	KALE Hirdavat ve Makina A.Ş. Defterdar Mah. Savaklar Cad. No:15 Edirnekapı / Eyüp / İstanbul 34050	Tel. 0212 533 52 55 Fax. 0212 533 10 05
United Kingdom & Republic Of Ireland www.blackanddecker.co.uk emeaservice@sbdinc.com	Black & Decker 270 Bath Road Slough, Berkshire SL1 4DX	Tel. 01753 511234 Fax 01753 512365
Middle East & Africa www.blackanddecker.ae service.mea@sbdinc.com	Black & Decker P.O.Box - 17164 Jebel Ali Free Zone (South), Dubai, UAE	Tel. +971 4 8863030 Fax +971 4 8863333