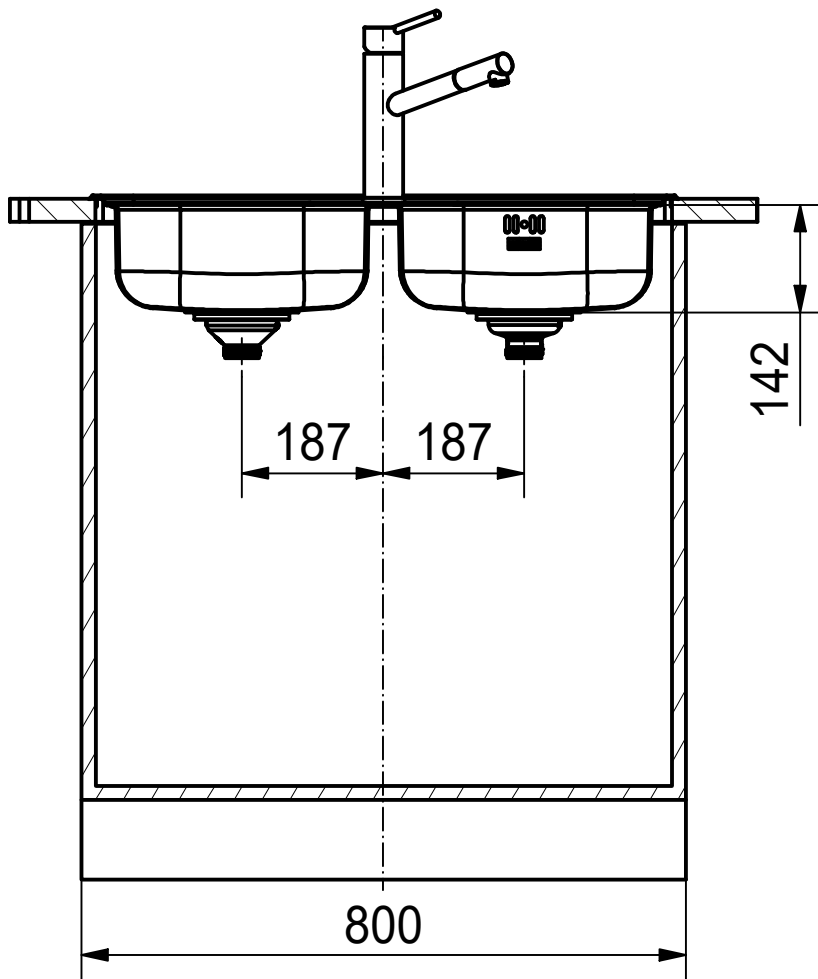


DF



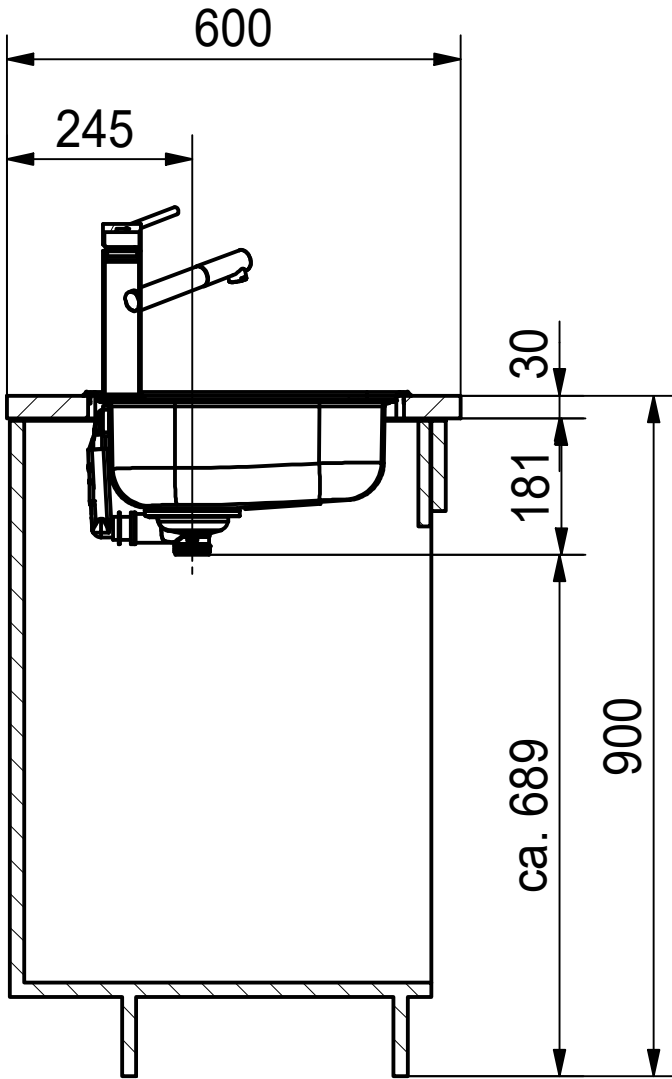
Drawing No.	20258545_02	Revision	A
Drawn Date	18.10.2023		
These drawings and specifications are the property of Franke Technology and Trademark Ltd., Hergiswil, Switzerland.			



SK 620-78x44 TL SI
Installing document

Sheet	Sheets
1	6

DS



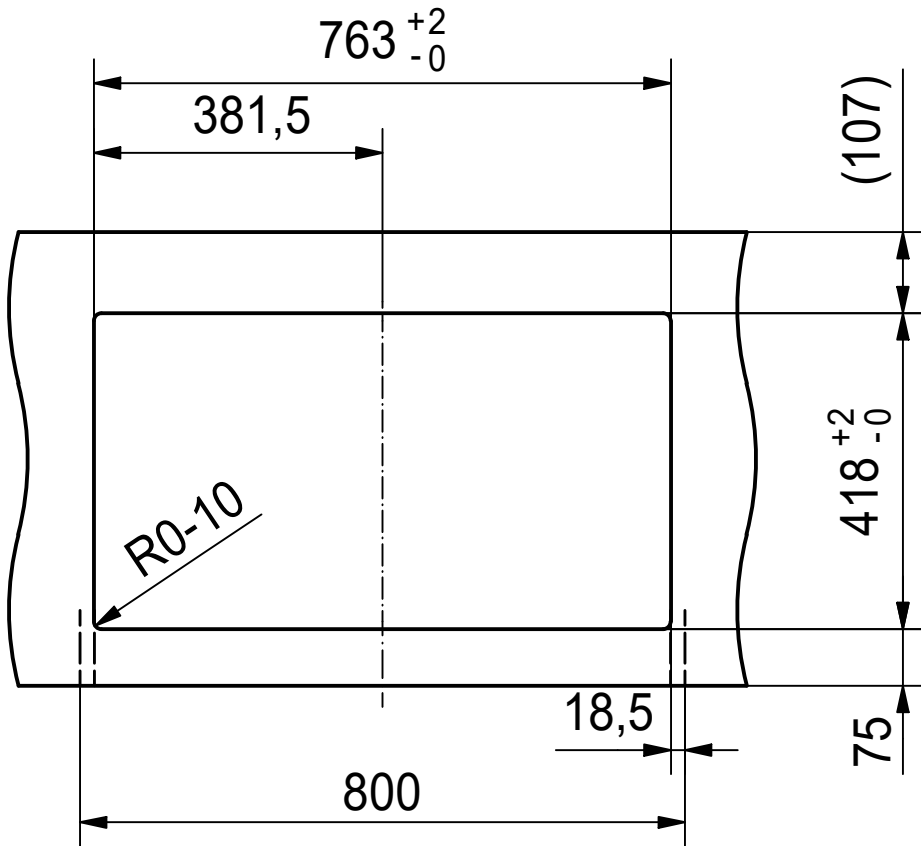
Drawing No.	20258545_02	Revision	A
Drawn Date	18.10.2023		
These drawings and specifications are the property of Franke Technology and Trademark Ltd., Hergiswil, Switzerland.			



SK 620-78x44 TL SI
Installing document

Sheet	Sheets
2	6

CO



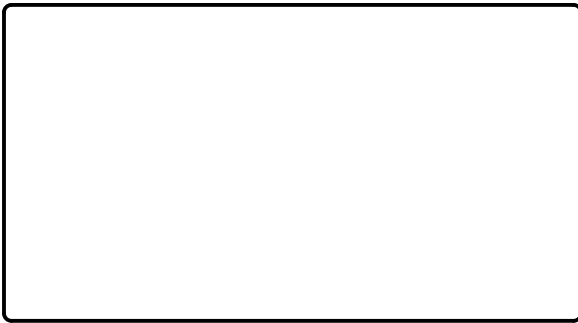
Drawing No.	20258545_02	Revision	A
Drawn Date	18.10.2023		
These drawings and specifications are the property of Franke Technology and Trademark Ltd., Hergiswil, Switzerland.			



SK 620-78x44 TL SI
Installing document

Sheet	Sheets
3	6

CNC



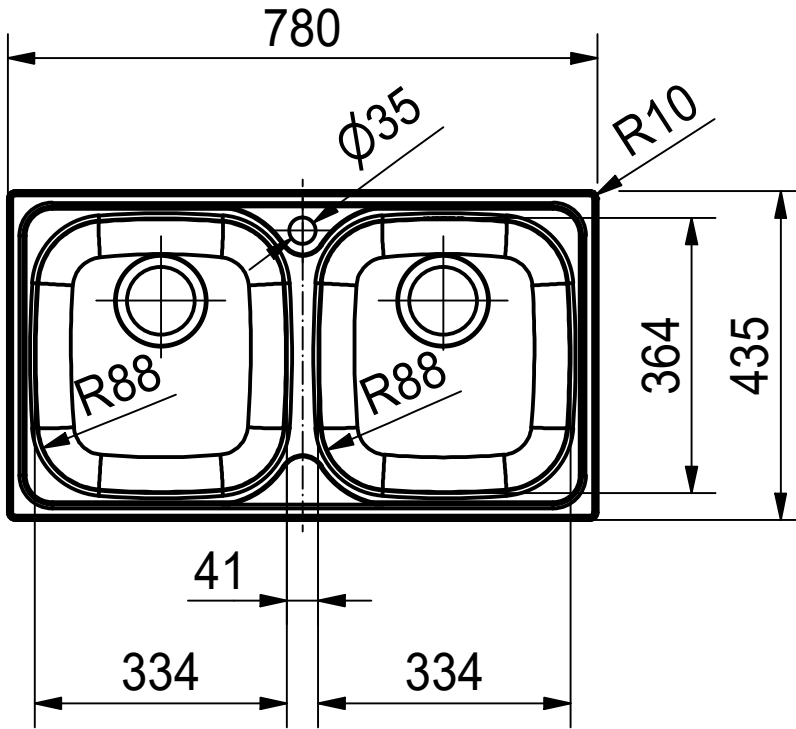
Drawing No.	20258545_02	Revision	A
Drawn Date	18.10.2023		
These drawings and specifications are the property of Franke Technology and Trademark Ltd., Hergiswil, Switzerland.			



SK 620-78x44 TL SI
Installing document

Sheet	Sheets
4	6

DT



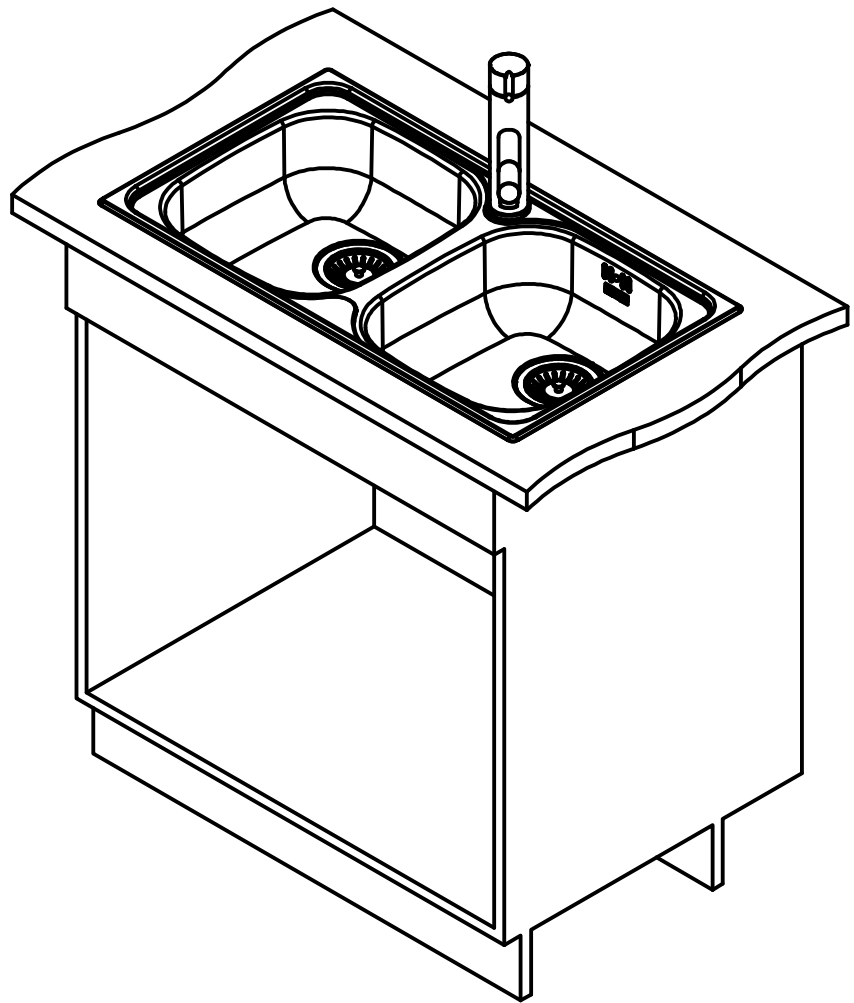
Drawing No.	20258545_02	Revision	A
Drawn Date	18.10.2023		
These drawings and specifications are the property of Franke Technology and Trademark Ltd., Hergiswil, Switzerland.			



SK 620-78x44 TL SI
Installing document

Sheet	Sheets
5	6

ISO



Drawing No. 20258545_02 Revision A

Drawn Date 18.10.2023

These drawings and specifications are the property of Franke Technology and Trademark Ltd., Hergiswil, Switzerland.



SK 620-78x44 TL SI
Installing document

Sheet Sheets

6 6