



**MORRIS**

**T72235ETS**

**USER MANUAL**

**DOUBLE DOOR REFRIGERATOR**

Please read this manual carefully before use this product

# CONTENTS

<b>SAFETY INSTRUCTIONS</b>	-----	EN-01
<b>DISPOSAL AND RECYCLING</b>	-----	EN-08
<b>PRODUCT OVERVIEW</b>	-----	EN-09
<b>PRODUCT INSTALLATION</b>	-----	EN-10
<b>OPERATION INSTRUCTIONS</b>	-----	EN-17
<b>CLEANING AND MAINTENANCE</b>	-----	EN-21
<b>TROUBLESHOOTING</b>	-----	EN-23
<b>APPENDIX</b>	-----	EN-25

# SAFETY INSTRUCTIONS

## Intended use







**Before switching on the appliance for the first time read the following safety hints!**

This appliance is intended to be used in household and similar applications such as staff kitchen areas in shops, offices and other working environments; farm houses and by clients in hotels, motels and other residential type environments; bed and breakfast type environments; catering and similar non-retail applications.

If the appliance is used commercially or for purposes other than cooling food, please note that the manufacturer cannot accept any liability for any damage.

Modifications or alterations to the unit are not permitted for safety reasons.

## Explanation of symbols

	<b>Danger</b> This symbol indicates that there are dangers to the life and health of persons due to extremely flammable gas.
	<b>Warning of electrical voltage</b> This symbol indicates that there is a danger to life and health of persons due to voltage.
	<b>Warning</b> The signal word indicates a hazard with a medium level of risk which, if not avoided, may result in death or serious injury.
	<b>Caution</b> The signal word indicates a hazard with a low degree of risk which, if not avoided, may result in minor or moderate injury.
	<b>Attention</b> The signal word indicates important information (e.g. damage to property), but not danger.
	<b>Observe instructions</b> This symbol indicates that a service technician should only operate and maintain this appliance in accordance with the operating instructions.

Read these operating instructions carefully and attentively before using/ commissioning the unit and keep them in the immediate vicinity of the installation site or unit for later use!



## **WARNING**

Risk of fire/Flammable material

**This symbol alerts you to flammable materials that can ignite and cause a fire if you do not take care.**

- Refrigerant and cyclopentane foaming material used for the appliance are flammable. Therefore, when the appliance is scrapped, it shall be kept away from any fire source and be recovered by a special recovering company with corresponding qualification other than be disposed by combustion, so as to prevent damage to the environment or any other harm.



## **WARNING**

- The necessity that, for doors or lids fitted with locks and keys, the keys be kept out of the reach of children and not in the vicinity of the refrigerating appliance, in order to prevent children from being locked inside .
- Keep ventilation openings, in the appliance enclosure or in the built-in structure, clear of obstruction.
- Do not use mechanical devices or other means to accelerate the defrosting process, other than those recommended by the manufacturer.
- Do not damage the refrigerant circuit.
- Do not use electrical appliances inside the food storage compartments of the appliance, unless they are of the type recommended by the manufacturer.
- Please dispose of the product in accordance with local regulations as it contains flammable propellant gas and refrigerant.
- To avoid a hazard due to instability of the appliance, it must be fixed in accordance with the instructions.
- For a freestanding appliance: this refrigerating appliance is not intended to be used as a built-in appliance.



## **WARNING** Electrical safety

### **Incorrect electrical installation or excessive mains voltage can lead to electric shocks!**

- Only connect your fridge-freezer to a properly installed earthed socket if the mains voltage of the socket corresponds to the specification on the rating label\*.
- Do not use extension cords or ungrounded (two-pin) adapters.
- Make sure that all electrical cables outside the appliance are protected from damage (e.g. by animals or sharp edges). When positioning the appliance, ensure the supply cord is not trapped or damaged.
- Do not locate multiple portable socket outlets or portable power supplies at the rear of the appliance.
- Improper power supply may result in fire or electric shocks.
- Avoid electrical overload. Disconnect the mains plug from the mains socket before carrying out care, maintenance and repair work on the unit.
- Switch off the unit and disconnect the mains plug from the mains socket when you are not using the unit.
- If the supply cord is damaged, it must be replaced by the manufacturer, its service agent or similarly qualified persons in order to avoid a hazard.
- If the products are equipped with LEDs, do not remove the lighting cover and LED yourself. Any replacement or maintenance of the LED lamps is intended to be made by the manufacturer, its service agent or similar qualified person.

This product is not recommended for use with sockets or main switch with the A/GFCI function, otherwise it may cause false tripping.

1. It's not pose a safety risk when tripped.
2. If tripping persists, it is recommended to replace the sockets or main switch without a/gfci function.



## **WARNING** Child Safety

- Children should be supervised to ensure that they do not play with the appliance.
- Destroy carton, plastic bags, and any exterior wrapping material immediately after the product is unpacked.
- Children should never use these items to play. Cartons covered with rugs, bedspreads, plastic sheets or stretch wrap may become airtight chambers, and can quickly cause suffocation.
- Remove all staples from the carton. Staples can cause severe cuts, and destroy finishes if they come in contact with other appliances or furniture.

### **Risk of child entrapment. Before you throw away your old refrigerator or freezer:**

- Take off the doors.
- Leave the shelves in place so that children may not easily climb inside.



## **CAUTION Risk of injury and damage!**

- Never put frozen food in your mouth immediately after taking it out of the freezer.
- Avoid prolonged skin contact with frozen food, ice and the pipes in the freezer compartment.
- Do not store explosive substances such as aerosol cans with a flammable propellant in this appliance. Also do not place flammable products near the product.
- Do not store beer, drinks or other liquids in bottles or tightly closed containers in the freezer compartment!



## **CAUTION Risk of injury!**

**Failure to comply with the safety information and instructions may result in injury.**

- This appliance can be used by children aged from 8 years and above and persons with reduced physical, sensory or mental capabilities or lack of experience and knowledge if they have been given supervision or instruction concerning use of the appliance in a safe way and understand the hazards involved. Children shall not play with the appliance. Cleaning and user maintenance shall not be made by children without supervision.
- Children aged from 3 to 8 years are allowed to load and unload refrigerating appliances.



## **WARNING**

- Check the compressor label on the rear of the appliance or the rating label inside the fridge to see which refrigerant is used for your appliance. When this product contains flammable gas (Refrigerant R-600a), contact your local authority in regard to safe disposal of this product.
- When transporting and setting up the unit, make sure that no parts of the refrigerant circuit are damaged.
- To prevent the formation of a flammable gas-air mixture in the event of a leak in the refrigerant circuit, the installation room must have a minimum size of 1 m<sup>3</sup> per 8 g of refrigerant according to standard EN378. The amount of refrigerant in your product can be found on the type plate.

**If the refrigerant circuit is damaged:**

- Avoid open flames and sources of ignition at all costs.
- Ventilate the room in which the appliance is located thoroughly.



## CAUTION

To avoid contamination of food, please respect the following instructions:

- Opening the door for long periods can cause a significant increase of the temperature in the compartments of the appliance.
- Clean regularly surfaces that can come in contact with food and accessible drainage systems.
- Clean water tanks if they have not been used for 48h; flush the water system connected to a water supply if water has not been drawn for 5 days. (Note1)(\*)
- Store raw meat and fish in suitable containers in the refrigerator, so that it is not in contact with or drip onto other food.
- Two-star frozen-food compartments are suitable for storing pre-frozen food, storing or making ice-cream and making ice cubes. (Note 2)(\*)
- 1-star, 2-star and 3-star compartments are not suitable for the freezing of fresh food. (note 3)(\*)
- For appliances without a 4-star compartment: this refrigerating appliance is not suitable for freezing foodstuffs. (note 4)(\*)
- If the refrigerating appliance is left empty for long periods, switch off, defrost, clean, dry, and leave the door open to prevent mould developing within the appliance.
- **WARNING:** Fill with potable water only. (Suitable for Water Dispenser)(\*)
- **WARNING:** Connect to potable water supply only. (Suitable for ice making machine)(\*)



### ATTENTION

(\*): This feature varies depending on the model purchased.

Note 1,2,3,4: Please confirm whether it is applicable according to your product compartment type.



## CAUTION

- The appliance is not suitable for the storage and cooling of medicines, blood plasma, laboratory preparations or similar substances and products underlying the Medical Device Directive 2007/47/EC.
- Plastic parts that come into contact with oils/acids (animal or vegetable) over a long period of time or frequently age more quickly and can crack or break.
- When replacing the interior lighting of the product, always unplug the product - otherwise there is a risk of electric shock.
- If the replacement of the interior lighting is too complicated for you, contact your service representative.

## Before The First Use

The packaging must be undamaged. Check the device for transport damage.

Do not connect a damaged device under any circumstances. In case of damage, please contact the supplier.

Remove transport cover

The unit and parts of the interior are protected for transport. You can remove all adhesive tapes on the right and left side of the device door as well as any adhesive residues with cleaning solvent. Remove all adhesive tapes and packaging parts from the interior of the device as well.

After transport, the device should stand for 12 hours to allow the coolant to collect in the compressor. Non-observance could damage the compressor and thus lead to failure of the device.



**CAUTION** Risk of damage!

### Set up device

- The ambient temperature affects the power consumption and proper functioning of the device. Therefore, the device should be placed in a well-ventilated and dry room with an ambient temperature corresponding to the climate class for which the device is designed.
- Do not place the device outdoors (e.g. balcony, terrace, garden shed, etc.).

**Do not use sharp knives or pointed objects when opening the device. Please observe the notes when setting up: “Tips for energy saving”**

### Remove the device doors

- If the unit does not fit through the apartment door, the unit doors can be unscrewed.

### ATTENTION

The unscrewing of the unit doors may only be carried out by the customer service.

## Notes For Cleaning

### CAUTION

#### **Disconnect the appliance from the power supply before cleaning.**

- Dust behind the product and on the floor must be cleaned to improve the cooling effect and energy saving.
- Check the door gasket regularly to make sure there is no debris. Clean the door gasket with a soft cloth dampened with soapy water or diluted detergent.
- The interior of the product should be cleaned regularly to avoid odors.
- Please turn off the power before cleaning the interior, remove all foods, drinks, shelves, drawers, etc.
- Use a soft cloth or sponge to clean the inside of the product, with two tablespoons of baking soda and a quart of warm water. Then rinse with water and wipe clean. After cleaning, open the door and let it dry naturally before turning on the power.
- For areas that are difficult to clean inside the product (such as narrow places, gaps or corners), we recommend to wipe them regularly with a soft rag, soft brush, etc. and when necessary, with some tools (such as thin sticks) to ensure no contaminants or bacterial accumulation in these areas.
- Do not use soap, detergent, scrub powder, spray cleaner, etc., as these may cause odors inside the product or contaminat food.
- Clean the door tray, shelves and drawers with a soft cloth dampened with soapy water or diluted detergent. Dry with a soft cloth or dry naturally.
- Wipe the outer surface of the product with a soft cloth dampened with soapy water, detergent, etc., and then wipe dry.
- Do not use hard brushes, scouring pads, wire brushes, abrasives (such as toothpaste), organic solvents (such as alcohol, acetone, banana oil, etc.), boiling water, acid or alkaline items, which may damage the fridge surface and interior. Boiling water and organic solvents such as benzene may deform or damage plastic parts.
- Do not rinse directly with water or other liquids during cleaning to avoid short circuit or affect electrical insulation after immersion.

# DISPOSAL AND RECYCLING

## Important instructions for environment

Compliance with the WEEE Directive and Disposing of the Waster Product: This product complies with EU WEEE Directive (2012/19/EU). This product bears a classification symbol for waster electrical and electronic equipment (WEEE).

This symbol indicates that this product shall not be disposed with other household wastes at the end of its service life. Used device must be returned to official collection point for recycling of electrical electronic devices. To find these collection systems please contact to your local authorities or retailer where the product was purchased. Each household performs important role in recovering and recycling of old appliance. Appropriate disposal of used appliance helps prevent potential negative consequences for the environment and human health.



## Compliance with RoHS Directive

The product you have purchased complies with EU RoHS Directive (2011/65/EU). It does not contain harmful and prohibited materials specified in the Directive.

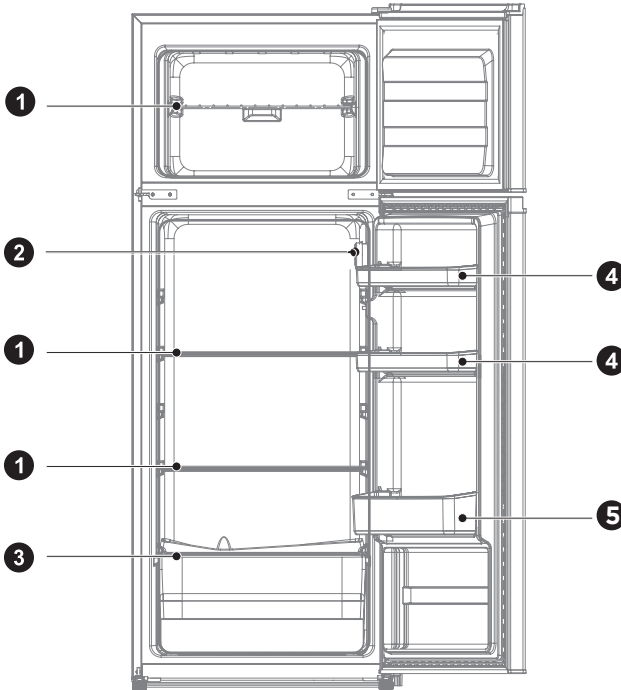
## Package information

Packaging materials of the product are manufactured from recyclable materials in accordance with our National Environment Regulations. Do not dispose of the packaging materials together with the domestic or other wastes. Take them to the packaging material collection points designated by the local authorities.



# PRODUCT OVERVIEW

## Names of components



- |   |                           |   |                 |
|---|---------------------------|---|-----------------|
| 1 | Shelf                     | 4 | Small door tray |
| 2 | Temperature control       | 5 | Big door tray   |
| 3 | Fruits and vegetables box |   |                 |

### ATTENTION

The picture above is only for reference. The actual configuration will depend on the physical product or statement by the distributor.

# PRODUCT INSTALLATION

## Install Instruction

### For refrigerating appliances with climate class

- Depending on the climate class, This refrigerating appliance is intended to be used at ambient temperatures range as specified following table.
- The climate class can be found on the rating plate. The product may not operate properly at temperatures outside of the specific range.
- You can find the climate class on the product label.

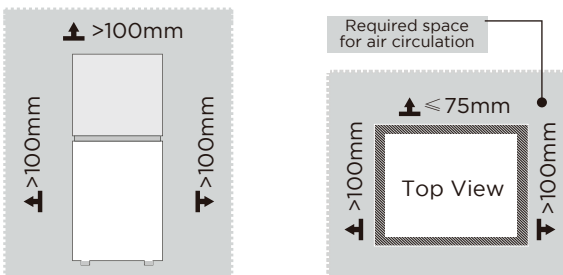
### Effective temperature range

- The product is designed to operate normally in the temperature range specified by its class rating.

Class	Symbol	Ambient temperature range °C	
		IEC 62552 (ISO 15502)	ISO 8561
Extended temperate	SN	+ 10 to + 32	+ 10 to + 32
Temperate	N	+ 16 to + 32	+ 16 to + 32
Subtropical	ST	+ 16 to + 38	+ 18 to + 38
Tropical	T	+ 16 to + 43	+ 18 to + 43

### Dimensions and Clearances

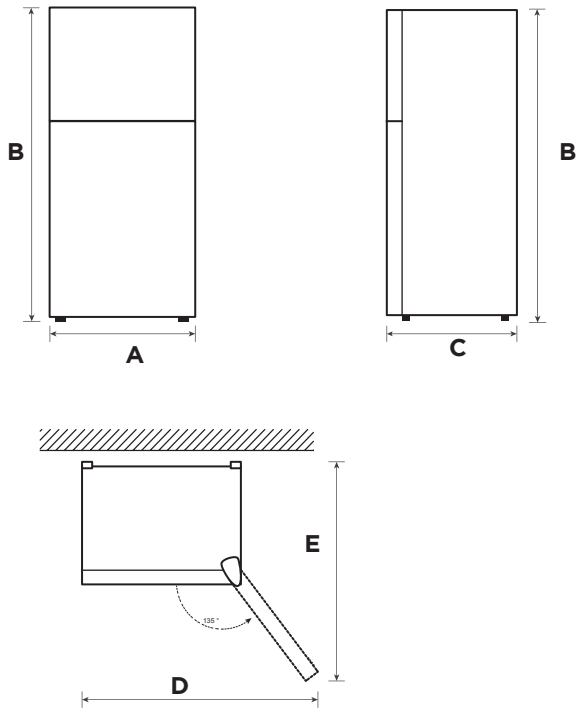
- Too small of a distance from adjacent items may result in the degradation of freezing capability and increased electricity costs. the refrigerator both sides should be placed against the wall with a free distance more than 100mm, and the refrigerator back against the wall distance not more than 75 mm.



### ATTENTION

The picture above is only for reference. The actual configuration will depend on the physical product or statement by the distributor.

Space requirement diagram (when the door is open and when the door is closed)



Width	Overall Height	Depth	Width doors open 135°	Depth doors open 135°
A	B	C	D	E
550	1590	550	1028	1065

Notice: All dimensions in mm

## Doors reversal

Based on the location where you plan to use your refrigerator, you may find it more convenient to reverse the position of the door.

### CAUTION

CAUTION: To avoid injury to yourself or your property, we recommend that someone assist you during the door reversal process.

Preparing to reverse the door position

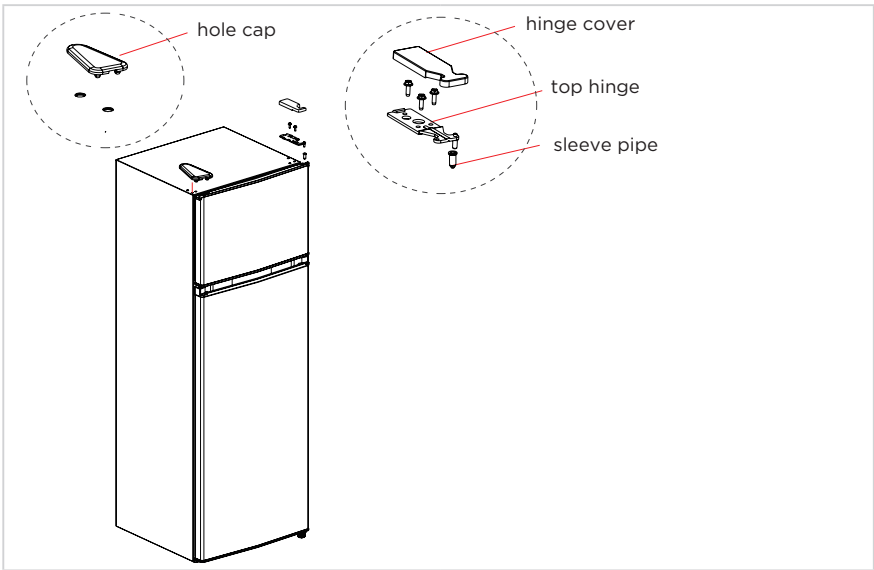
You will need: A standard screwdriver, a Phillips screwdriver.

- Make sure that your refrigerator is unplugged and empty.
- Have someone available to assist you in the process.
- Keep all of the parts you remove to reuse them later.

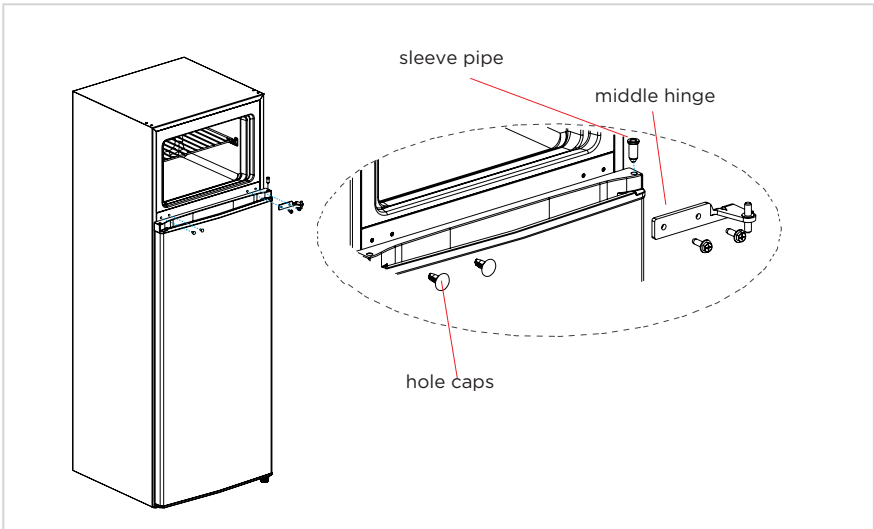
### Parts already mounted on the door (as shipped):



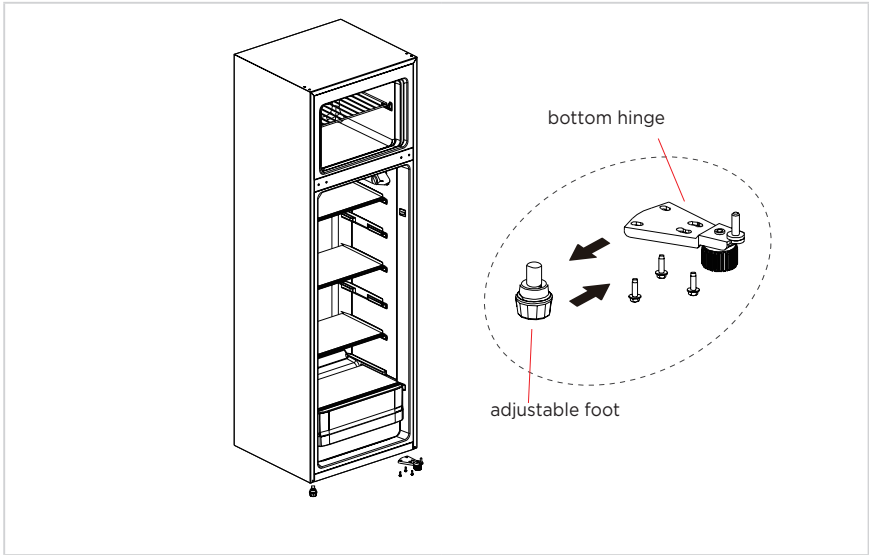
- Power off the refrigerator, and remove all objects from the door trays.
- Take off top hinge cover, top hinge ,the sleeve pipe of freezer door and hole cap on the other side.



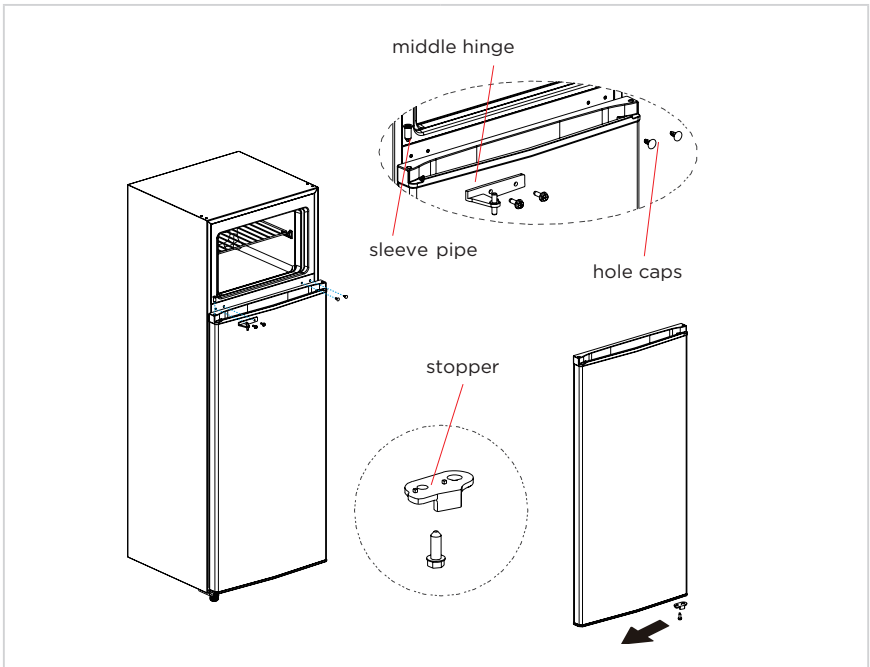
- Take off freezer chamber door, middle hinge and the sleeve pipe of refrigerating door and hole caps on the other side.



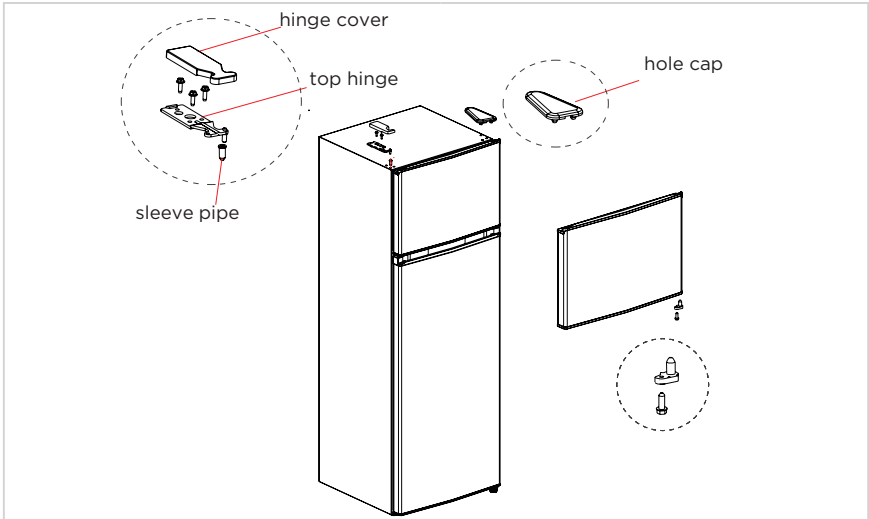
- Remove the refrigerating door remove the bottom hinge and adjustable foot on the other side.
- Assemble the bottom hinge assembly and adjustable foot on other side.



- Assemble the stopper of the refrigerating door on the other side.
- Put the refrigerating door on bottom hinge , assemble the middle hinge , hole caps and the sleeve pipe of refrigerating door.



- Assemble the stopper of the freezer door on the other side.
- Put the freezer door on the middle hinge, assemble the top hinge ,the top hinge cover assemble the sleeve pipe of the freezer door and hole cap on the other side.



**ATTENTION**

The picture above is only for reference. The actual configuration will depend on the physical product or statement by the distributor.


## Leveling feet

To avoid vibration, the unit must be leveled.

If required, adjust the leveling screws to compensate for the uneven floor.

The front should be slightly higher than the rear to aid in door closing.

Leveling screws can be turned easily by tipping the cabinet slightly.

Turn the leveling screws counterclockwise  to raise the unit, clockwise  to lower it.

## Connecting the appliance

After installing the appliance, connect the power plug into a socket outlet.

### ATTENTION

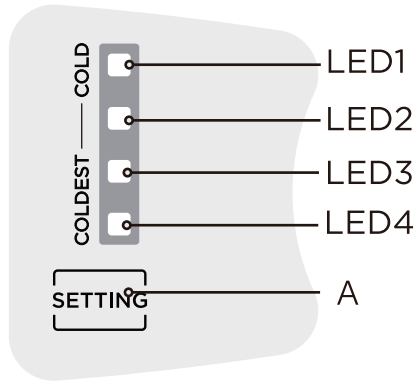
After connecting the power supply cord (or plug) to the outlet, wait 2 or 3 hours before you put food into the appliance. If you add food before the appliance has cooled completely, your food may spoil.

## Tips for energy saving

- Do not place the appliance near cookers, radiators or other heat sources. If the ambient temperature is high, the compressor will run more frequently and for longer, resulting in increased energy consumption.
- Ensure that there is sufficient ventilation at the base of the appliance, on the sides of the appliance and at the back of the appliance. Never cover ventilation openings.
- Please also observe the spacing dimensions in the chapter „Installation“.
- The arrangement of drawers, shelves and racks as shown in the illustration offers the most efficient use of energy and should therefore be retained as far as possible. All drawers and shelves should remain in the appliance to keep the temperature stable and save energy.
- To obtain a larger storage space (e.g. for large refrigerated/frozen goods), the middle drawers can be removed. The top and bottom drawers and shelves should be removed last if necessary.
- An evenly filled refrigerator/freezer compartment contributes to optimal energy use. Therefore, avoid empty or half-empty compartments.
- Allow warm food to cool before placing it in the refrigerator/freezer. Food that has already cooled down increases energy efficiency.
- Allow frozen food to defrost in the refrigerator. The coldness of the frozen food reduces the energy consumption in the refrigerator compartment and thus increases the energy efficiency.
- Open the door only as briefly as necessary to minimise cold loss. Opening the door briefly and closing it properly reduces energy consumption.
- The door seals of your appliance must be perfectly intact so that the doors close properly and energy consumption is not increased unnecessarily.

# OPERATION INSTRUCTIONS

## Control panel



Display	Button	
1 LED 1	A	Temperature setting of refrigerator compartment
2 LED 2		
3 LED 3		
4 LED 4		

### Display

- Once initially powered on, all LED lights turn on for 2 seconds, and then the refrigerator runs at the default setting (LED3 light is on).
- In case of no failures, it shows the actual temperature setting of refrigerator.
- In case of a failure, the corresponding LED blinks.
- The fault code display will disappear after 30min. if you need to re-display the fault code, please disconnect the power supply and then power it back on.

Fault Code	Fault Description
LED1/LED3 flashing	Ambient temperature sensor fault
LED1/LED2/ LED4flashing	Refrigerating defrost sensor fault

### ● ATTENTION

The actual control panel may differ from model to model.

## Temperature setting

- Each time the temperature setting button A is pressed once, the temperature setting changes one time. After the temperature setting has been completed, the refrigerator will run according to the set value after 30s.

The shift regulation is:



## Super freeze mode

- Long press temperature setting button for 6s, it will enter Super freeze mode after 30s, and LED3 and LED4 turn on at the same time.
- After running for 40 hours at Super freeze mode or the setting button is pressed, it will quit the Super freeze mode, then go back to the previous setting.
- It is suggested to turn on super freeze mode for 12 hours before placing large amount of frozen food in freezer compartment at one time.

## Super cool mode

- Long press temperature setting button for 3s, it will enter Super cool mode after 30s, and LED1 and LED2 turn on at the same time.
- After running for 6 hours at Super cool mode or the setting button is pressed, it will quit the Super cool mode, then go back to the previous setting.

## Standby mode

- Press and hold the setting button for 10s, all LEDs on the control panel will turn off, and the Standby mode will be activated after 30 seconds. Once in standby mode, press the setting button again to turn on all LEDs and exit the mode.
- The Refrigerator stops working and lamp turns off automatically in the standby mode.

## ● ATTENTION

The Super freeze function is designed to maintain the nutritional value of the food in the freezer. It can freeze the food in the shortest time. If a large amount of food is frozen at one time, it is recommended that the user turn on the Super freeze function and put the food in. At this time, the freezing speed of the freezer compartment is increased, which can quickly freeze the food, effectively lock the nutrition of the food, and facilitate storage.

## Tips on storing food

### Freezer compartment

- The freezer is designated for the storage of food frozen at very low temperature, long-term storage of frozen food, and for the production of ice.
- Only use the shelves in the door of the freezer to store frozen food, not for storing hot food designated for freezing.
- Do not put fresh and frozen food next to each other. The frozen food may thaw.
- When freezing fresh food (such as meat, fish or chopped meat), cut them into parts that can be used at the same time.
- Storing frozen food: instructions are usually stated on the packages, which must be followed. If there is no information on the packaging, food should not be stored for longer than three months from the date of purchase.
- When purchasing frozen food, make sure that it was frozen at a suitable temperature and that the packaging is not damaged.
- Frozen food should be kept in suitable packages to retain the quality and should be returned to the freezer compartment as soon as possible.
- If a package of frozen food shows moisture or abnormal bulging, it is probable that it was stored at the wrong temperature and the content is spoiled.
- The storage period for frozen food depends on the room temperature, the thermostat setting, the frequency of opening the door of the freezer, the type of food and the time of transporting the product from the shop to the household. Always follow the instructions printed on the packaging and never exceed the maximum storage time stated on the package.

### Cooling compartment

- To reduce moisture and subsequent ice build-up, never put liquid into the refrigerator in unsealed containers. Frost tends to concentrate in the coolest parts of the evaporator. Storing uncovered liquids results in a more frequent need for defrosting.
- Never put warm foods in the refrigerator. These should first cool down at room temperature and then be placed so as to ensure adequate air circulation in the refrigerator.
- Foods or food containers should not touch the back wall of the refrigerator because they could freeze to the wall. Do not keep regularly opening the door of the refrigerator.
- Meat and clean fish (packed in a package or plastic foil) can be placed in the refrigerator, which can be used in 1-2 days.
- Fruit and vegetables without packaging can be placed in the part designated for fresh fruit and vegetables.

### ATTENTION

The optimal temperature setting of each compartment depends on the ambient temperature. Above optimal temperature is based on the ambient temperature of 25 °C.

Order	Compartments TYPE	Target storage temp. [°C]	Appropriate food
1	Fridge	$+2 \leq x \leq +8$	Eggs, cooked food, packaged food, fruits and vegetables, dairy products, cakes, drinks and other foods are not suitable for freezing.
2	(***)*-Freezer	$x \leq -18$	Seafood (fish, shrimp, shellfish), freshwater aquatic products and meat products (recommended for 3 months, the longer the storage time, the worse the taste and nutrition), suitable for frozen fresh food.
3	***-Freezer	$x \leq -18$	Seafood (fish, shrimp, shellfish), freshwater aquatic products and meat products (recommended for 3 months, the longer the storage time, the worse the taste and nutrition), suitable for frozen fresh food.
4	**-Freezer	$x \leq -12$	Seafood (fish, shrimp, shellfish), freshwater aquatic products and meat products (recommended for 3 months, the longer the storage time, the worse the taste and nutrition), suitable for frozen fresh food.
5	*-Freezer	$x \leq -6$	Seafood (fish, shrimp, shellfish), freshwater aquatic products and meat products (recommended for 3 months, the longer the storage time, the worse the taste and nutrition), suitable for frozen fresh food.
6	0-star	$-6 \leq x \leq 0$	Fresh pork, beef, fish, chicken, some packaged processed foods, etc. (Recommended to eat within the same day, preferably no more than 3 days). Partially encapsulated processed foods (non-freezable foods).
7	Chill	$-2 \leq x \leq +3$	Fresh/ frozen pork, beef, chicken, freshwater aquatic products, etc. (7 days below 0°C and above 0°C is recommended for consumption within that day, preferably no more than 2 days). Seafood (less than 0 for 15 days, it is not recommended to store above 0°C).
8	Fresh food	$0 \leq x \leq +4$	Fresh pork, beef, fish, chicken, cooked food, etc. (Recommended to eat within the same day, preferably no more than 3 days)
9	Wine	$+5 \leq x \leq +20$	Red wine, white wine, sparkling wine, etc.

### ATTENTION

Please store different foods according to the compartments or target storage temperature of your purchased.

# CLEANING AND MAINTENANCE

## Defrost

- Power off the refrigerator.
- Remove the food from the refrigerator and place it properly to prevent food from melting.
- Clear the drain pipe (to use soft materials to prevent damage to the liner), Prepare the water containers for defrosting. (pay attention to clean the compressor compartment water draining tray, avoiding overflow to the ground).
- You can also use the appropriate amount of hot water to speed up the defrost, with a dry towel to dry the water after defrosting.
- You can also use the appropriate amount of hot water to speed up the defrost, with a dry towel to dry the water after defrosting.
- After defrosting, put back the foods in cabinet, and power on the refrigerator.

## Stop using

### Power failure:

In case of power failure, even if it is in summer, foods inside the appliance can be kept for several hours; during the power failure, the times of door opening shall be reduced, and no more fresh food shall be put into the appliance.

### Long-time nonuse:

The appliance shall be unplugged and then cleaned; then the doors are left open to prevent odor.

### Moving:

Before the refrigerator is moved, take all objects inside out, fix the glass partitions, vegetable holder, freezing chamber drawers and etc. with tape, and tighten the leveling feet; close the doors and seal them with tape. During moving, the appliance shall not be laid upside down or horizontally, or be vibrated; the inclination during movement shall be no more than 45°.

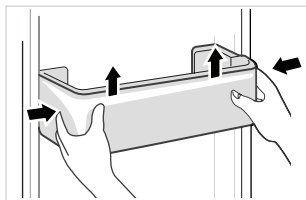


## CAUTION

The appliance shall run continuously once it is started. Generally, the operation of the appliance shall not be interrupted; otherwise the service life may be impaired. Foods can be preserved for a couple of hours even in summer in case of power failure; it is recommended to reduce the frequency of opening door.

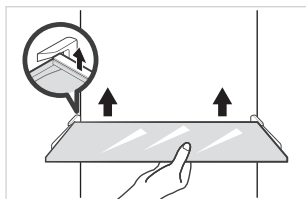
## Cleaning of door tray

- According to the direction arrow in the figure below, use both hands to squeeze the tray, and push it upward, then you can take it out.
- After washing the tray having been taken out, you can adjust its installing height in accordance with your requirement.



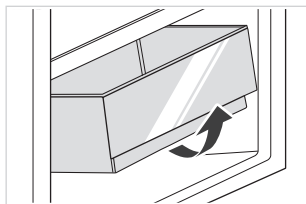
## Cleaning of glass shelf

- As the innermost part of the refrigerator liner where contacting the shelves has a backstop, you shall raise the shelves upward, then you can be able to take it out.
- Adjust or clean the shelves according to your requirement.



## Cleaning the Fruits and vegetables box

- Remove the contents of the Fruits and vegetables box. Hold the handle of the drawer and pull it out completely until it stops.
- Lift the drawer up and remove it by pulling it out.



### ● ATTENTION

Soft towels or sponge dipped in water and non-corrosive neutral detergents are suggested for cleaning. The freezer shall be finally cleaned with clean water and dry cloth. Open the door for natural drying before the power is turned on. Do not use hard brushes, clean steel balls, wire brushes, abrasives, such as toothpastes, organic solvents (such as alcohol, acetone, banana oil, etc.), boiling water, acid or alkaline items clean refrigerator considering that this may damage the fridge surface and interior.

# TROUBLESHOOTING

The following simple issues can be handled by the user. Please call the after-sale service department if the issues are not solved.

Problem	Possible reason
Failed operation	<ul style="list-style-type: none"> <li>• Check whether the appliance is connected to power or whether the plug is in well contact</li> </ul>
	<ul style="list-style-type: none"> <li>• Check whether the voltage is too low</li> </ul>
	<ul style="list-style-type: none"> <li>• Check whether there is a power failure or partial circuits have tripped</li> </ul>
Odor	<ul style="list-style-type: none"> <li>• Odorous foods shall be tightly wrapped</li> </ul>
	<ul style="list-style-type: none"> <li>• Check whether there is any rotten food</li> </ul>
	<ul style="list-style-type: none"> <li>• Clean the inside of the refrigerator</li> </ul>
Long-time operation of the compressor	<ul style="list-style-type: none"> <li>• Long operation of the refrigerator is normal in summer</li> </ul>
	<ul style="list-style-type: none"> <li>• when the ambient temperature is high It is not suggestible having too much food in the appliance at the same time</li> </ul>
	<ul style="list-style-type: none"> <li>• Food shall get cool before being put into the appliance</li> </ul>
	<ul style="list-style-type: none"> <li>• The doors are opened too frequently</li> </ul>
Light fails to get lit	<ul style="list-style-type: none"> <li>• Check whether the refrigerator is connected to power supply and whether the illuminating light is damaged</li> </ul>
	<ul style="list-style-type: none"> <li>• Have the light replaced by a specialist</li> </ul>
Door can not be properly closed	<ul style="list-style-type: none"> <li>• The door is stuck by food packages Too much food is placed</li> </ul>
	<ul style="list-style-type: none"> <li>• The refrigerator is tiltedr.</li> </ul>
Loud noises	<ul style="list-style-type: none"> <li>• Check whether the floor is level and whether the refrigerator is placed stably</li> </ul>
	<ul style="list-style-type: none"> <li>• Check whether accessories are placed at proper locations</li> </ul>

Problem	Possible reason
Failed operation	<ul style="list-style-type: none"> <li>• Check whether the appliance is connected to power or whether the plug is in well contact .</li> <li>• Check whether the voltage is too low.</li> <li>• Check whether there is a power failure or partial circuits have tripped.</li> </ul>
Odor	<ul style="list-style-type: none"> <li>• Odorous foods shall be tightly wrapped.</li> <li>• Check whether there is any rotten food.</li> <li>• Clean the inside of the refrigerator.</li> </ul>
Long-time operation of the compressor	<ul style="list-style-type: none"> <li>• Long operation of the refrigerator is normal in summer when the ambient temperature is high.</li> <li>• It is not recommended having too much food in the appliance at the same time.</li> <li>• Food shall get cool before being put into the appliance.</li> <li>• The doors are opened too frequently.</li> </ul>
Light fails to get lit	<ul style="list-style-type: none"> <li>• Check whether the refrigerator is connected to power supply and whether the illuminating light is damaged.</li> </ul>
Doors cannot be properly closed	<ul style="list-style-type: none"> <li>• The door is stuck by food packages.</li> <li>• The refrigerator is tilted.</li> </ul>
Loud noise	<ul style="list-style-type: none"> <li>• Check whether the floor is level and whether the refrigerator is placed stably.</li> <li>• Check whether accessories are placed at proper locations.</li> </ul>
Door seal fails to be tight	<ul style="list-style-type: none"> <li>• Remove foreign matters on the door seal.</li> <li>• Heat the door seal and then cool it for restoration (or blow it with an electrical drier or use a hot towel for heating).</li> </ul>
Water pan overflows	<ul style="list-style-type: none"> <li>• There is too much food in the chamber or food stored contains too much water,resulting in heavy defrosting.</li> <li>• The doors are not closed properly, resulting in frosting due to entry of air and increased water due to defrosting.</li> </ul>
Hot housing	<ul style="list-style-type: none"> <li>• Heat dissipation of the built-in condenser via the housing, which is normal.</li> <li>• When housing becomes hot due to high ambient temperature and storage of too much food,it is recommended to provide sound ventilation to facilitate heat dissipation.</li> </ul>
Surface condensation	<ul style="list-style-type: none"> <li>• Condensation on the exterior surface and door seals of the refrigerator is normal when the ambient humidity is too high. Just wipe the condensate with a clean towel.</li> </ul>
Abnormal noise	<ul style="list-style-type: none"> <li>• Buzz: The compressor may produce buzzes during operation, and the buzzes are loud particularly upon start or stop. This is normal.</li> <li>• Creak: Refrigerant flowing inside of the appliance may produce creak, which is normal.</li> </ul>

# APPENDIX

## Special for new European standard

The ordered parts in the following table can be acquired from Service provider channel

**AMIRIDIS - SAVVIDIS S.A.**  
87A, 17th November str  
55535, Pylea, Thessaloniki  
Tel: +302310944944

Ordered part	Provided by	Minimum time required for Provision
Thermostats	Professional maintenance personnel	At least 7 years after the last model is launched on the market
Temperature sensors	Professional maintenance personnel	At least 7 years after the last model is launched on the market
Printed circuit boards	Professional maintenance personnel	At least 7 years after the last model is launched on the market
Light sources	Professional maintenance personnel	At least 7 years after the last model is launched on the market
Door handles	Professional repairers and final users	At least 7 years after the last model is launched on the market
Door hinges	Professional repairers and final users	At least 7 years after the last model is launched on the market
Trays	Professional repairers and final users	At least 7 years after the last model is launched on the market
Baskets	Professional repairers and final users	At least 7 years after the last model is launched on the market
Door gaskets	Professional repairers and final users	At least 10 years after the last model is launched on the market

## Dear customer

1. If you want to return or replace the product, please contact the store where you buy.

(Remember to bring the purchase invoice)

2. If your product breaks down which needs to repair, please contact after-sales service provider.

## ATTENTION

The model information in the product database, as well as the model identifier, can be obtained through a weblink scanned by a QR code, if any, on the energy efficiency label of the product.

For more information about the energy efficiency of the appliance, visit <https://ec.europa.eu> and search using the model name.

The model name can be found on the rating label of the appliance.

## **NOTICE ABOUT RECYCLING**



Your product is designed and manufactured with high quality materials and components which can be recycled and reused.

This symbol means that electrical and electronic equipment, at their end-of-life,

should be disposed of separately from your household waste. Please dispose of this equipment at your local community waste collection/ recycling centre.

In the European Union there are separate collection systems for used electrical and electronic products.

Please help us to conserve the environment we live in!

## **DECLARATION OF CONFORMITY**

Herewith, we state that this product complies with the requirements of below directives:

EMC-Directive: 14 / 30 / EU

Low Voltage Directive: 14/ 35 / EU

ErP Directive 09 / 125 / EC

CE Marking: 93 / 68 / EEC

RoHS Directive: 11 / 65 / EU & Delegated Directive (EU) 15 / 863

The detailed declaration of conformity can be found at [www.morris.gr](http://www.morris.gr)





**Kalliopi Karyda & Co, LP**  
87A, 17th November str.  
55535, Pylea, Thessaloniki  
Tel. 2316 006600  
Fax. 2316 006650  
[www.morris.gr](http://www.morris.gr)



# MORRIS

## T72235ETS

# ΕΓΧΕΙΡΙΔΙΟ ΧΡΗΣΗΣ

## ΔΙΠΟΡΤΟ ΨΥΓΕΙΟ

Διαβάστε αυτό το εγχειρίδιο οδηγιών προσεκτικά πριν χρησιμοποιήσετε το προϊόν.

# ΠΕΡΙΕΧΟΜΕΝΑ

ΟΔΗΓΙΕΣ ΑΣΦΑΛΕΙΑΣ	EL-01
ΑΠΟΡΡΙΨΗ ΚΑΙ ΑΝΑΚΥΚΛΩΣΗ	EL-08
ΕΠΙΣΚΟΠΗΣΗ ΠΡΟΪΟΝΤΟΣ	EL-09
ΕΓΚΑΤΑΣΤΑΣΗ ΠΡΟΪΟΝΤΟΣ	EL-10
ΟΔΗΓΙΕΣ ΛΕΙΤΟΥΡΓΙΑΣ	EL-17
ΚΑΘΑΡΙΣΜΑ ΚΑΙ ΣΥΝΤΗΡΗΣΗ	EL-21
ΑΝΤΙΜΕΤΩΠΙΣΗ ΠΡΟΒΛΗΜΑΤΩΝ	EL-23
ΠΑΡΑΡΤΗΜΑ	EL-25

# ΟΔΗΓΙΕΣ ΑΣΦΑΛΕΙΑΣ







## Προβλεπόμενη χρήση

### Πριν ενεργοποιήσετε τη συσκευή για πρώτη φορά, διαβάστε τις παρακάτω συμβουλές ασφαλείας!

Αυτή η συσκευή προορίζεται για χρήση σε οικιακές και παρόμοιες εφαρμογές, όπως χώροι κουζίνας προσωπικού σε καταστήματα, γραφεία και άλλα περιβάλλοντα εργασίας, αγροτικές και από πελάτες σε ξενοδοχεία, ενοικιαζόμενα δωμάτια και άλλα περιβάλλοντα διαμονής, επιχειρήσεις τροφοδοσίας και παρόμοιες εφαρμογές μη λιανικής πώλησης.

Εάν η συσκευή χρησιμοποιείται επαγγελματικά ή για άλλους σκοπούς εκτός από την ψύξη τροφίμων, έχετε υπόψη ότι ο κατασκευαστής δεν φέρει καμία ευθύνη για οποιαδήποτε ζημιά. Τροποποιήσεις ή αλλαγές στη συσκευή δεν επιτρέπονται για λόγους ασφαλείας.

## Επεξήγηση συμβόλων

	<b>Κίνδυνος</b> Αυτό το σύμβολο υποδεικνύει ότι υπάρχουν κίνδυνοι για τη ζωή και την υγεία των ανθρώπων λόγω εξαιρετικά εύφλεκτων αερίων.
	<b>Προειδοποίηση ηλεκτρικής τάσης</b> Αυτό το σύμβολο υποδεικνύει ότι υπάρχει κίνδυνος για τη ζωή και την υγεία των ανθρώπων λόγω τάσης.
	<b>Προειδοποίηση</b> Η ένδειξη αυτή υποδεικνύει κίνδυνο μεσαίου επιπέδου, ο οποίος, εάν δεν αποφευχθεί, μπορεί να οδηγήσει σε θάνατο ή σοβαρό τραυματισμό.
	<b>Προσοχή</b> Η ένδειξη αυτή υποδεικνύει κίνδυνο χαμηλού επιπέδου, ο οποίος, εάν δεν αποφευχθεί, μπορεί να οδηγήσει σε μικρό ή μέτριο τραυματισμό.
	<b>Επισήμανση</b> Η ένδειξη αυτή υποδεικνύει σημαντικές πληροφορίες (π.χ. υλικές ζημιές), αλλά όχι κίνδυνο.
	<b>Τηρήστε τις οδηγίες</b> Αυτό το σύμβολο υποδεικνύει ότι ο τεχνικός συντήρησης πρέπει να χειρίζεται και να συντηρεί τη συσκευή μόνο σύμφωνα με τις οδηγίες λειτουργίας.

Διαβάστε προσεκτικά αυτές τις οδηγίες λειτουργίας πριν από τη χρήση/θέση σε λειτουργία της συσκευής και φυλάξτε τις κοντά στον χώρο εγκατάστασης ή στη συσκευή για μεταγενέστερη χρήση!



## ΠΡΟΕΙΔΟΠΟΙΗΣΗ

Κίνδυνος πυρκαγιάς/εύφλεκτα υλικά

**Αυτό το σύμβολο σάς ειδοποιεί για εύφλεκτα υλικά που μπορούν να αναφλεγούν και να προκαλέσουν πυρκαγιά εάν δεν προσέχετε.**

- Το ψυκτικό μέσο και το υλικό αφρισμού από κυκλοπεντάνιο που χρησιμοποιούνται στη συσκευή είναι εύφλεκτα. Επομένως, όταν απορρίψετε τη συσκευή, θα πρέπει να παραμείνει μακριά από οποιαδήποτε πηγή φωτιάς και η ανάκτηση αυτών των υλικών να γίνει από εξειδικευμένη εταιρεία, ώστε να αποφευχθεί τυχόν ανάφλεξη και ζημιά στο περιβάλλον ή οπουδήποτε αλλού..

## ΠΡΟΕΙΔΟΠΟΙΗΣΗ

- Είναι απαραίτητο, όταν οι πόρτες ή τα καπάκια διαθέτουν κλειδαριές και κλειδιά, τα κλειδιά να φυλάσσονται μακριά από παιδιά και όχι κοντά στην ψυκτική συσκευή, προκειμένου να αποφευχθεί το κλείδωμα των παιδιών μέσα στη συσκευή.
- Διατηρείτε ελεύθερα και χωρίς εμπόδια τα ανοίγματα εξαερισμού, στο περίβλημα της συσκευής στην ενσωματωμένη δομή.
- Μη χρησιμοποιείτε μηχανικές συσκευές ή άλλα μέσα για να επιταχύνετε τη διαδικασία απόψυξης, εκτός από αυτά που συνιστώνται από τον κατασκευαστή.
- Μην προκαλέσετε ζημιά στο κύκλωμα ψυκτικού υγρού.
- Μην χρησιμοποιείτε ηλεκτρικές συσκευές μέσα στους χώρους αποθήκευσης τροφίμων της συσκευής, εκτός εάν είναι εγκεκριμένες από τον κατασκευαστή.
- Απορρίψτε το προϊόν σύμφωνα με τους τοπικούς κανονισμούς, καθώς περιέχει εύφλεκτο προωθητικό αέριο και ψυκτικό μέσο.
- Για την αποφυγή κινδύνου λόγω αστάθειας, η συσκευή πρέπει να στερεωθεί σύμφωνα με τις οδηγίες.
- Για τις συσκευές δαπέδου: Αυτή η ψυκτική συσκευή δαπέδου δεν προορίζεται να χρησιμοποιηθεί ως εντοιχισμένη.



## ΠΡΟΕΙΔΟΠΟΙΗΣΗ Ηλεκτρική ασφάλεια

### Η λανθασμένη ηλεκτρική εγκατάσταση ή η υπερβολική τάση δικτύου μπορούν να προκαλέσουν ηλεκτροπληξία!

- Συνδέστε τον ψυγείοκαταψύκτη μόνο σε μια σωστά εγκατεστημένη γειωμένη πρίζα και μόνο εφόσον η τάση του ρεύματος της πρίζας αντιστοιχεί στις προδιαγραφές της επικέτας ονομαστικών τιμών.
- Μη χρησιμοποιείτε καλώδια πρόέκτασης ή μη γειωμένους προσαρμογείς (με δύο ακίδες).
- Βεβαιωθείτε ότι όλα τα ηλεκτρικά καλώδια έξω από τη συσκευή προστατεύονται από ζημιές (π.χ. από ζώα ή αιχμηρές άκρες). Κατά την τοποθέτηση της συσκευής, βεβαιωθείτε ότι το καλώδιο ρεύματος δεν είναι παγιδευμένο ή κατεστραμμένο.
- Μην τοποθετείτε πολύπριζα ή μπαλαντέζες στο πίσω μέρος της συσκευής.
- Μια ακατάλληλη παροχή ρεύματος μπορεί να προκαλέσει πυρκαγιά ή ηλεκτροπληξία.
- Η ηλεκτρική υπερφόρτωση πρέπει να αποφεύγεται. Αποσυνδέστε το φως από την πρίζα πριν εκτελέσετε εργασίες φροντίδας, συντήρησης και επισκευής στη συσκευή.
- Απενεργοποιήστε τη συσκευή και αποσυνδέστε το φως από την πρίζα όταν η συσκευή δεν χρησιμοποιείται.
- Εάν το καλώδιο ρεύματος υποστεί ζημιά, πρέπει να αντικατασταθεί από τον κατασκευαστή, τον αντιπρόσωπο σέρβις ή αντίστοιχα εξειδικευμένα άτομα προς αποφυγή κινδύνου.
- Εάν η συσκευή διαθέτει λυχνίες LED, μην αφαιρείτε το κάλυμμα του φωτισμού και τη λυχνία LED μόνοι σας. Οποιαδήποτε αντικατάσταση ή συντήρηση των λυχνιών LED πρέπει να γίνεται από τον κατασκευαστή, τον αντιπρόσωπο σέρβις του ή παρόμοια καταρτισμένο τεχνικό.

Αυτό το προϊόν δεν συνιστάται για χρήση με πρίζες ή γενικό διακόπτη με τη λειτουργία A/GFCI, καθώς μπορεί να προκληθεί άσκοπη διακοπή λειτουργίας.

1. Αυτή η διακοπή λειτουργίας δεν αποτελεί κίνδυνο για την ασφάλεια.
2. Εάν η διακοπή λειτουργίας επαναλαμβάνεται συνέχεια, συνιστάται η αντικατάσταση της πρίζας ή του γενικού διακόπτη με άλλο χωρίς λειτουργία A/GFCI.



## ΠΡΟΕΙΔΟΠΟΙΗΣΗ Ασφάλεια των παιδιών

- Τα παιδιά θα πρέπει να επιβλέπονται προκειμένου να διασφαλιστεί ότι δεν παίζουν με τη συσκευή.
- Καταστρέψτε το χαρτοκιβώτιο, τις πλαστικές σακούλες και οποιοδήποτε εξωτερικό υλικό περιτυλίγματος αμέσως μετά την αποσυσκευασία του προϊόντος.
- Τα παιδιά δεν πρέπει ποτέ να χρησιμοποιούν αυτά τα αντικείμενα για να παίξουν. Τα χαρτοκιβώτια που καλύπτονται με χαλιά, κλινοσκεπάσματα, πλαστικά φύλλα ή πλαστικά περιτυλίγματα μπορούν να γίνουν αεροστεγείς θάλαμοι και να προκαλέσουν γρήγορα ασφυξία.
- Αφαιρέστε όλους τους συνδετήρες από τη συσκευή. Οι συνδετήρες μπορούν να προκαλέσουν σοβαρά κοψίματα και να καταστρέψουν το φινιρίσμα αν έρθουν σε επαφή με άλλες συσκευές ή έπιπλα.

## **Κίνδυνος παγίδευσης παιδιών. Πριν πετάξετε το παλιό σας ψυγείο ή καταψύκτη:**

- Βγάλτε τις πόρτες.
- Αφήστε τα ράφια στη θέση τους, έτσι ώστε τα παιδιά να μην μπορούν εύκολα να σκαρφαλώσουν στο εσωτερικό.



### **ΠΡΟΣΟΧΗ**

#### **Κίνδυνος τραυματισμού και ζημιάς!**

- Μη βάζετε ποτέ κατεψυγμένα τρόφιμα στο στόμα σας αμέσως μόλις τα βγάλετε από την κατάψυξη.
- Αποφύγετε την παρατεταμένη επαφή του δέρματος με κατεψυγμένα τρόφιμα, πάγο και τους σωλήνες στο θάλαμο κατάψυξης.
- Μην αποθηκεύετε εκρηκτικές ουσίες, όπως δοχεία αεροζόλ με εύφλεκτο προωθητικό σε αυτή τη συσκευή. Μην τοποθετείτε εύφλεκτα προϊόντα κοντά στη συσκευή.
- Μην αποθηκεύετε μπύρα, ποτά ή άλλα υγρά σε μπουκάλια ή ερμητικά κλειστά δοχεία στο θάλαμο κατάψυξης!



### **ΠΡΟΣΟΧΗ**

#### **Κίνδυνος τραυματισμού!**

## **Η μη συμμόρφωση με τις πληροφορίες και τις οδηγίες ασφαλείας μπορεί να προκαλέσει τραυματισμό.**

- Αυτή η συσκευή μπορεί να χρησιμοποιηθεί από παιδιά ηλικίας 8 ετών και άνω και από άτομα με περιορισμένες σωματικές, αισθητηριακές ή διανοητικές ικανότητες ή από άτομα χωρίς εμπειρία και γνώση, με την προϋπόθεση ότι επιβλέπονται κατά τη χρήση της ή έχουν λάβει οδηγίες σχετικά με την ασφαλή της χρήση και κατανοούν τους κινδύνους που ενέχονται. Τα παιδιά απαγορεύεται να παίζουν με τη συσκευή. Ο καθαρισμός και η συντήρηση από τον χρήστη δεν πρέπει να πραγματοποιούνται από παιδιά χωρίς επίβλεψη.
- Παιδιά ηλικίας από 3 έως 8 ετών επιτρέπεται να βάζουν και να βγάζουν τρόφιμα από ψυγεία.



### **ΠΡΟΕΙΔΟΠΟΙΗΣΗ**

- Ελέγξτε την ετικέτα του συμπιεστή στο πίσω μέρος της συσκευής ή την ετικέτα ονομαστικών τιμών στο εσωτερικό του ψυγείου για να δείτε ποιο ψυκτικό μέσο χρησιμοποιείται για τη συσκευή σας. Όταν αυτό το προϊόν περιέχει εύφλεκτο αέριο (ψυκτικό μέσο R-600a), επικοινωνήστε με την τοπική σας αρχή σχετικά με την ασφαλή απόρριψη αυτού του προϊόντος.
- Κατά τη μεταφορά και τη ρύθμιση της μονάδας, βεβαιωθείτε ότι δεν θα προκληθεί ζημιά σε κανένα εξάρτημα του κυκλώματος ψυκτικού μέσου.
- Για να αποφευχθεί ο σχηματισμός εύφλεκτου μίγματος αερίου-αέρα σε περίπτωση διαρροής στο κύκλωμα ψυκτικού, ο χώρος εγκατάστασης πρέπει να έχει ελάχιστο μέγεθος 1 m<sup>3</sup> ανά 8 g ψυκτικού μέσου σύμφωνα με το πρότυπο EN378. Η ποσότητα ψυκτικού μέσου στη συσκευή σας αναγράφεται στην πινακίδα τύπου.

## **Εάν το κύκλωμα ψυκτικού μέσου υποστεί ζημιά:**

- Αποφύγετε τις ακάλυπτες φλόγες και τις πηγές ανάφλεξης με κάθε τρόπο.
- Αερίστε καλά το δωμάτιο στο οποίο βρίσκεται η συσκευή.



## ΠΡΟΣΟΧΗ

### Για να αποφύγετε να χαλάσουν τα τρόφιμα, τηρείτε τις ακόλουθες οδηγίες:

- Το άνοιγμα της πόρτας για μεγάλα χρονικά διαστήματα μπορεί να προκαλέσει σημαντική αύξηση της θερμοκρασίας στα διαμερίσματα της συσκευής.
- Καθαρίζετε τακτικά τις επιφάνειες που μπορούν να έρθουν σε επαφή με τα τρόφιμα και τα προσβάσιμα συστήματα αποστράγγισης.
- Καθαρίζετε τις δεξαμενές νερού εάν δεν έχουν χρησιμοποιηθεί για 48 ώρες. Ξεπλύνετε το σύστημα νερού που συνδέεται με την παροχή νερού εάν δεν έχει καταναλωθεί νερό για 5 ημέρες. (Σημείωση 1)(\*)
- Αποθηκεύετε το ωμό κρέας και τα ψάρια σε κατάλληλα δοχεία στον καταψύκτη, έτσι ώστε να μην έρχονται σε επαφή ή να στάζουν πάνω σε άλλα τρόφιμα.
- Οι θάλαμοι κατεψυγμένων τροφίμων δύο αστέρων είναι κατάλληλα για την αποθήκευση προ-κατεψυγμένων τροφίμων, την αποθήκευση ή την παραγωγή παγωτού καθώς και για παγάκια. (Σημείωση 2)(\*)
- Οι θάλαμοι 1, 2 και 3 αστέρων δεν είναι κατάλληλοι για την κατάψυξη φρέσκων τροφίμων. (Σημείωση 3)(\*)
- Για συσκευές χωρίς θάλαμο 4 αστέρων: Αυτή η ψυκτική συσκευή δεν είναι κατάλληλη για κατάψυξη τροφίμων. (Σημείωση 4)(\*)
- Εάν το ψυγείο πρόκειται να παραμείνει κενό για μεγάλα χρονικά διαστήματα, αποσυνδέστε το από την πρίζα, κάντε απόψυξη, καθαρίστε το και αφήστε το να στεγνώσει, και αφήστε την πόρτα ανοιχτή για να αποτρέψετε την ανάπτυξη μούχλας στο εσωτερικό του.
- **ΠΡΟΕΙΔΟΠΟΙΗΣΗ:** Γεμίστε μόνο με πόσιμο νερό. (Κατάλληλο για διανομέα νερού) (\*)
- **ΠΡΟΕΙΔΟΠΟΙΗΣΗ:** Συνδέστε μόνο στην παροχή πόσιμου νερού. (Κατάλληλο για μηχανή κατασκευής πάγου) (\*)



### ΠΡΟΣΟΧΗ

(\*): Αυτή η λειτουργία ποικίλλει ανάλογα με το μοντέλο που αγοράσατε.

Σημειώσεις 1, 2, 3,4: Βεβαιωθείτε ότι ισχύουν ανάλογα με τον τύπο του θαλάμου της δικής σας συσκευής.



## ΠΡΟΣΟΧΗ

- Η συσκευή δεν είναι κατάλληλη για την αποθήκευση και την ψύξη φαρμάκων, πλάσματος αίματος, εργαστηριακών παρασκευασμάτων ή παρόμοιων ουσιών και προϊόντων που υπόκεινται στην οδηγία 2007/47/EK.
- Πλαστικά μέρη που έρχονται σε επαφή με έλαια/οξέα (ζωικά ή φυτικά) για μεγάλο χρονικό διάστημα ή συχνά φθειρόνται πιο γρήγορα και μπορεί να ραγίσουν ή να σπάσουν.
- Κατά την αντικατάσταση του εσωτερικού φωτισμού της συσκευής, αποσυνδέετε πάντα το προϊόν από την πρίζα, διαφορετικά υπάρχει κίνδυνος ηλεκτροπληξίας.
- Εάν η αντικατάσταση του εσωτερικού φωτισμού είναι πολύ περίπλοκη για εσάς, επικοινωνήστε με τον αντιπρόσωπο σέρβις.

## Πριν από την πρώτη χρήση

Η συσκευασία πρέπει να είναι άθικτη. Ελέγξτε τη συσκευή για τυχόν ζημιές κατά τη μεταφορά. Μη συνδέσετε στο ρεύμα μια συσκευή που έχει υποστεί ζημιά σε καμία περίπτωση. Σε περίπτωση ζημιάς, επικοινωνήστε με τον προμηθευτή.

Αφαιρέστε το κάλυμμα μεταφοράς

Η συσκευή και τα εσωτερικά μέρη διαθέτουν προστασία για τη μεταφορά. Αφαιρέστε όλες τις αυτοκόλλητες ταινίες στη δεξιά και αριστερή πλευρά της πόρτας της συσκευής, καθώς και τυχόν υπολείμματα κόλλας με διαλύτη καθαρισμού. Αφαιρέστε όλες τις αυτοκόλλητες ταινίες και τα υλικά συσκευασίας από το εσωτερικό της συσκευής.

Μετά τη μεταφορά, η συσκευή θα πρέπει να παραμείνει ακίνητη για 12 ώρες, ώστε να συγκεντρωθεί το ψυκτικό υγρό στον συμπιεστή. Η μη τήρηση του παραπάνω μπορεί να προκαλέσει βλάβη στον συμπιεστή και, συνεπώς, να οδηγήσει σε βλάβη της συσκευής.



## ΠΡΟΣΟΧΗ Κίνδυνος ζημιάς!

### Εγκατάσταση της συσκευής

- Η θερμοκρασία του περιβάλλοντος επηρεάζει την κατανάλωση ισχύος και τη σωστή λειτουργία της συσκευής. Επομένως, η συσκευή πρέπει να εγκατασταθεί σε ένα καλά αεριζόμενο και στεγνό δωμάτιο με θερμοκρασία περιβάλλοντος που αντιστοιχεί στην κατηγορία κλίματος για την οποία έχει σχεδιαστεί η συσκευή.
- Μην τοποθετείτε τη συσκευή σε εξωτερικούς χώρους (π.χ. μπαλκόνι, βεράντα, υπόστεγο κήπου κ.λπ.).

**Μη χρησιμοποιείτε μαχαίρια ή αιχμηρά αντικείμενα κατά το άνοιγμα της συσκευής. Κατά την εγκατάσταση, τηρήστε τις σημειώσεις: «Συμβουλές για την εξοικονόμηση ενέργειας»**

### Αφαίρεση των πορτών της συσκευής

- Εάν η συσκευή δεν χωράει να περάσει μέσα από τις πόρτες του σπιτιού, οι πόρτες της συσκευής μπορούν να ξεβιδωθούν.

### ΠΡΟΣΟΧΗ

Μόνο το τμήμα εξυπηρέτησης πελατών επιτρέπεται να ξεβιδώσει τις πόρτες.



### ΠΡΟΣΟΧΗ

#### **Αποσυνδέστε τη συσκευή από την παροχή ρεύματος πριν από το καθάρισμα.**

- Η σκόνη πίσω από το προϊόν και στο δάπεδο πρέπει να καθαρίζεται για βελτίωση της ψύξης και της εξοικονόμησης ενέργειας.
- Ελέγχετε τακτικά το λάστιχο της πόρτας για να βεβαιωθείτε ότι δεν υπάρχουν υπολείμματα. Καθαρίζετε το λάστιχο της πόρτας με ένα μαλακό πανί εμποτισμένο με σαπουνό νερό ή αραιωμένο απορρυπαντικό.
- Το εσωτερικό της συσκευής πρέπει να καθαρίζεται τακτικά για να αποφεύγονται οι οσμές.
- Απενεργοποιήστε τη συσκευή πριν καθαρίσετε το εσωτερικό και αφαιρέστε όλα τα τρόφιμα, ποτά, ράφια, συρτάρια κ.λπ.
- Χρησιμοποιήστε ένα μαλακό πανί ή σφουγγάρι για να καθαρίσετε το εσωτερικό της συσκευής, με δύο κουταλιές της σούπας μαγειρική σόδα και ένα τέταρτο χλιαρό νερό. Στη συνέχεια, ξεπλύνετε με νερό και σκουπίστε σχολαστικά. Μετά τον καθαρισμό, ανοίξτε την πόρτα και αφήστε τη συσκευή να στεγνώσει με φυσικό τρόπο πριν τη συνδέσετε ξανά στο ρεύμα.
- Για περιοχές που είναι δύσκολο να καθαριστούν στη συσκευή (όπως στενές περιοχές, διάκενα ή γωνίες), συνιστάται να τις σκουπίζετε τακτικά με μαλακό πανί, μαλακή βούρτσα κ.λπ. και όταν είναι απαραίτητο, με κάποια βοηθητικά εργαλεία (όπως λεπτές ράβδους), για να διασφαλίζεται ότι δεν υπάρχουν μολυσματικοί παράγοντες ή συσσώρευση βακτηριδίων σε αυτές τις περιοχές.
- Μη χρησιμοποιείτε σαπούνι, απορρυπαντικό, σκόνη απολέπισης, καθαριστικό σπρέι κ.λπ., καθώς αυτά μπορεί να προκαλέσουν οσμές στο εσωτερικό του προϊόντος ή να επιμολύνουν τα τρόφιμα.
- Καθαρίζετε τις θήκες, τα ράφια και τα συρτάρια της πόρτας με ένα μαλακό πανί εμποτισμένο σε σαπουνό νερό ή αραιωμένο απορρυπαντικό. Στεγνώστε με ένα μαλακό πανί ή αφήστε το να στεγνώσει με φυσικό τρόπο.
- Σκουπίστε την εξωτερική επιφάνεια της συσκευής με ένα μαλακό πανί νοτισμένο με σαπουνό νερό, απορρυπαντικό κ.λπ. και στη συνέχεια σκουπίστε το μέχρι να στεγνώσει.
- Μη χρησιμοποιείτε σκληρές βούρτσες, σμυριδόπανα, σφουγγάρια βούρτσες, λειαντικά (όπως οδοντόκρεμες), οργανικούς διαλύτες (όπως αλκοόλη, ακετόνη, οξικό ισοαμύλιο κ.λπ.), βραστό νερό, όξινα ή αλκαλικά στοιχεία, τα οποία μπορεί να καταστρέψουν την επιφάνεια και το εσωτερικό του ψυγειοκαταψύκτη. Το βραστό νερό και οι οργανικοί διαλύτες όπως το βενζόλιο μπορούν να παραμορφώσουν ή να καταστρέψουν τα πλαστικά μέρη.
- Μην ξεπλύνετε απευθείας με νερό ή άλλα υγρά κατά τη διάρκεια του καθαρισμού για να αποφύγετε βραχυκυκλώματα ή ζημιές στην ηλεκτρική μόνωση..

# ΔΙΑΘΕΣΗ ΚΑΙ ΑΝΑΚΥΚΛΩΣΗ

## Σημαντικές οδηγίες για το περιβάλλον

Συμμόρφωση με την οδηγία ΑΗΗΕ και διάθεση του προϊόντος ως απόβλητο: Το προϊόν αυτό συμμορφώνεται με την οδηγία της ΕΕ για τα ΑΗΗΕ (2012/19/ΕΕ). Αυτό το προϊόν φέρει ένα σύμβολο ταξινόμησης για τα απόβλητα ηλεκτρικού και ηλεκτρονικού εξοπλισμού (ΑΗΗΕ).

Αυτό το σύμβολο υποδεικνύει ότι το προϊόν αυτό δεν πρέπει να απορρίπτεται μαζί με άλλα οικιακά απόβλητα στο τέλος της διάρκειας ζωής του. Η χρησιμοποιημένη συσκευή πρέπει να επιστρέφεται στο σημείο συλλογής για την ανακύκλωση ηλεκτρικών ηλεκτρονικών συσκευών. Για να βρείτε αυτά τα συστήματα συλλογής, επικοινωνήστε με τις τοπικές αρχές ή τον λιανοπωλητή όπου αγοράστηκε το προϊόν. Κάθε νοικοκυριό διαδραματίζει σημαντικό ρόλο στην ανάκτηση και ανακύκλωση των παλαιών συσκευών. Η κατάλληλη απόρριψη της χρησιμοποιούμενης συσκευής βοηθά στην πρόληψη πιθανών αρνητικών συνεπειών για το περιβάλλον και την ανθρώπινη υγεία.



## Συμμόρφωση με την οδηγία RoHS

Το προϊόν που αγοράσατε συμμορφώνεται με την οδηγία RoHS της ΕΕ (2011/65/ΕΕ). Δεν περιέχει επιβλαβή και απαγορευμένα υλικά που προσδιορίζονται στην οδηγία.

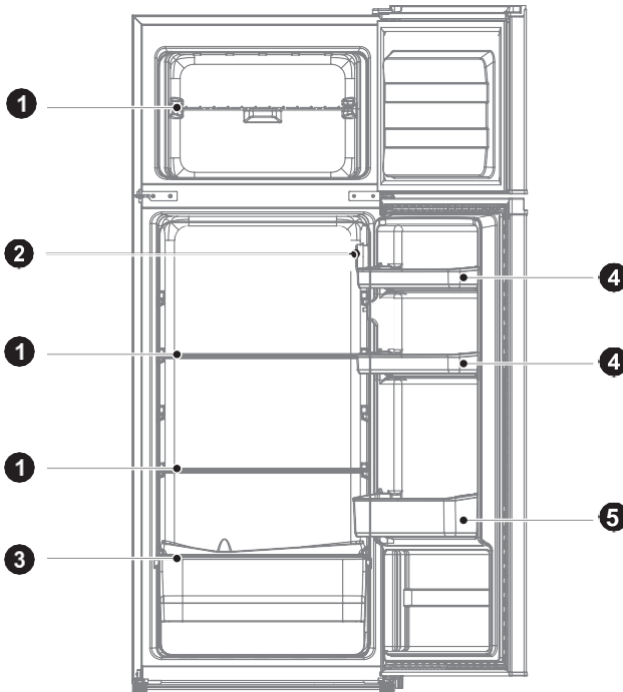
## Πληροφορίες συσκευασίας

Τα υλικά συσκευασίας του προϊόντος κατασκευάζονται από ανακυκλώσιμα υλικά σύμφωνα με τους εθνικούς κανονισμούς για το περιβάλλον. Μην απορρίπτετε τα υλικά συσκευασίας μαζί με τα οικιακά ή άλλα απόβλητα. Μεταφέρετέ τα στα σημεία συλλογής υλικών συσκευασίας που έχουν οριστεί από τις τοπικές αρχές.



# ΕΠΙΣΚΟΠΗΣΗ ΠΡΟΪΟΝΤΟΣ

## Ονόματα των εξαρτημάτων



- |   |                            |   |                    |
|---|----------------------------|---|--------------------|
| 1 | Ράφι                       | 4 | Μικρή θήκη πόρτας  |
| 2 | Έλεγχος θερμοκρασίας       | 5 | Μεγάλη θήκη πόρτας |
| 3 | Θήκη φρούτων και λαχανικών |   |                    |

### ● ΠΡΟΣΟΧΗ

Η παραπάνω εικόνα είναι μόνο για αναφορά. Η πραγματική διαμόρφωση θα εξαρτηθεί από το φυσικό προϊόν ή τη δήλωση του διανομέα.

# ΕΓΚΑΤΑΣΤΑΣΗ ΠΡΟΪΟΝΤΟΣ

## Οδηγίες εγκατάστασης

### Για συσκευές ψύξης με κλιματική κλάση

- Ανάλογα με την κλιματική κλάση, αυτή η συσκευή ψύξης προορίζεται για χρήση στις θερμοκρασίες περιβάλλοντος που ορίζονται στον παρακάτω πίνακα.
- Η κλιματική κλάση αναγράφεται στην πινακίδα τεχνικών χαρακτηριστικών. Το προϊόν μπορεί να μην λειτουργεί σωστά σε θερμοκρασίες εκτός του συγκεκριμένου εύρους τιμών.
- Μπορείτε να βρείτε την κλιματική κλάση στην ετικέτα του προϊόντος.

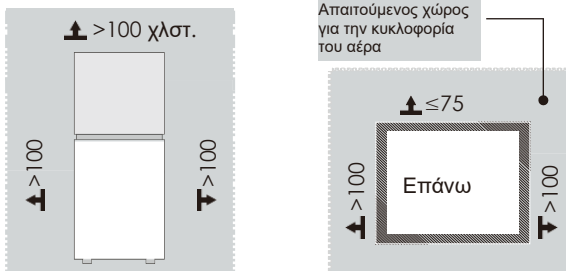
### Ενεργό εύρος θερμοκρασίας

- Το προϊόν έχει σχεδιαστεί για να λειτουργεί κανονικά στο εύρος θερμοκρασίας που καθορίζεται από την κλάση διαβάθμισης του.

Κλάση	Σύμβολο	Εύρος θερμοκρασίας περιβάλλοντος °C	
		IEC 62552 (ISO 15502)	ISO 8561
Εκτεταμένη εύκρατη	SN	+ 10 έως + 32	+ 10 έως + 32
Εύκρατη	N	+ 16 έως + 32	+ 16 έως + 32
Υποτροπική	ST	+ 16 έως + 38	+ 18 έως + 38
Τροπική	T	+ 16 έως + 43	+ 18 έως + 43

### Διαστάσεις και αποστάσεις

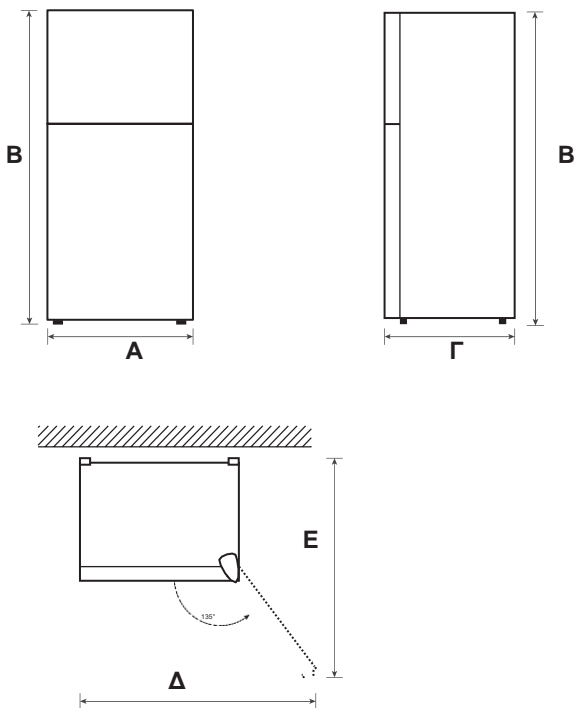
- Η πολύ μικρή απόσταση από τα παρακείμενα αντικείμενα μπορεί να οδηγήσει σε υποβάθμιση της ικανότητας κατάψυξης και αυξημένο κόστος ηλεκτρικής ενέργειας. Και οι δύο πλευρές του ψυγείου πρέπει να έχουν ελεύθερο χώρο τουλάχιστον 100 χλστ. από τον τοίχο και η πίσω πλευρά του ψυγείου να απέχει τουλάχιστον 75 χλστ. από τον τοίχο.



### ΠΡΟΣΟΧΗ

Η παραπάνω εικόνα είναι μόνο για αναφορά. Η πραγματική διαμόρφωση θα εξαρτηθεί από το φυσικό προϊόν ή τη δήλωση του διανομέα.

Διάγραμμα απαίτησης διαστήματος (με ανοιχτή και με κλειστή πόρτα)



Πλάτος	Συνολικό ύψος	Βάθος	Πλάτος ανοίγματος πόρτας 135°	Βάθος ανοίγματος πόρτας 135°
A	B	Γ	Δ	E
550	1590	550	1028	1065

Σημείωση: Όλες οι διαστάσεις είναι σε χλστ.

## Αντιστροφή πορτών

Με βάση τη θέση όπου σκοπεύετε να χρησιμοποιήσετε το ψυγείο σας, μπορείτε να είναι πιο βολικό να αντιστρέψετε τη θέση της πόρτας.



### ΠΡΟΣΟΧΗ

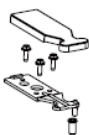
ΠΡΟΣΟΧΗ: Για να αποφύγετε τραυματισμούς ή ζημιές, συστήνουμε να σας βοηθήσει κάποιος κατά τη διάρκεια της διαδικασίας αντιστροφής της πόρτας.

Προετοιμασία για αντιστροφή της θέσης των πορτών

Θα χρειαστείτε: Ένα τυπικό κατσαβίδι και ένα σταυροκατσαβίδο.

- Βεβαιωθείτε ότι το ψυγείο σας είναι αποσυνδεδεμένο και άδειο.
- Καλό είναι να υπάρχει κάποιος άτομο για να σας βοηθήσει στη διαδικασία.
- Κρατήστε όλα τα εξαρτήματα που αφαιρείτε για να τα επαναχρησιμοποιήσετε αργότερα.

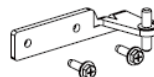
**Εξαρτήματα που είναι ήδη τοποθετημένα στην πόρτα κατά την παράδοση:**



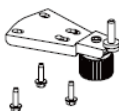
Συγκρότημα  
πάνω μεντεσέ



Κάλυμμα οπής



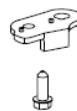
Μεσαίος μεντεσές



Κάτω μεντεσές

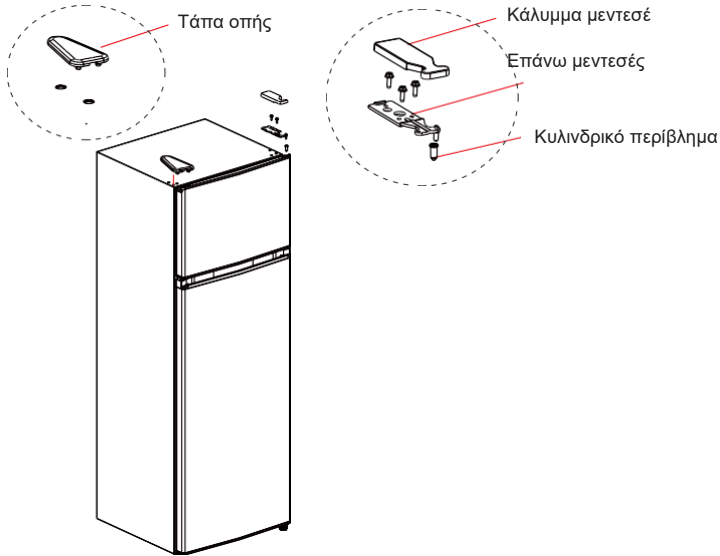


Ρυθμιζόμενο πόδι

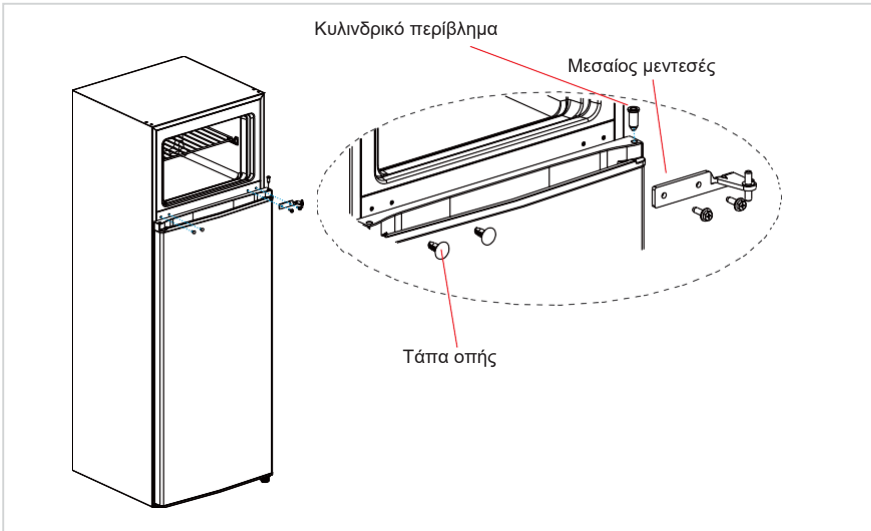


Στοπ

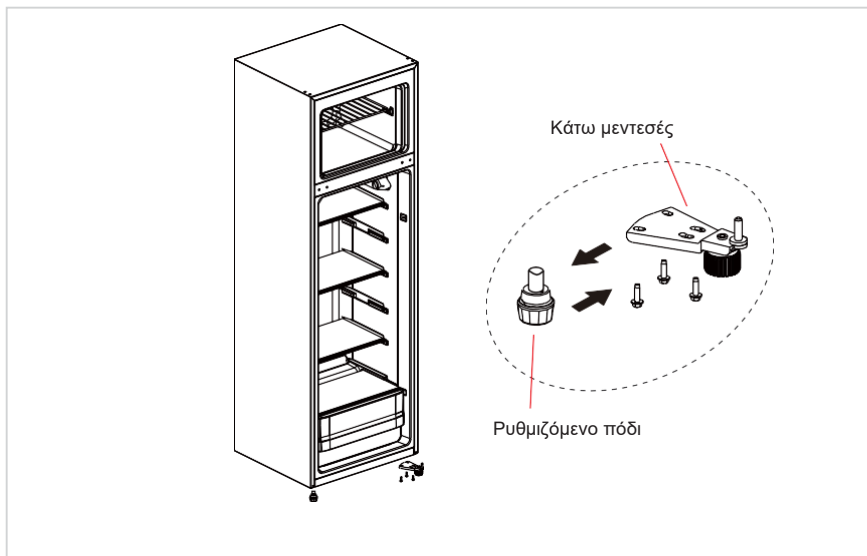
- Απενεργοποιήστε το ψυγείο και αφαιρέστε όλα τα αντικείμενα από τις θήκες στις πόρτες.
- Αφαιρέστε το κάλυμμα του επάνω μεντεσέ, τον επάνω μεντεσέ, το κυλινδρικό περίβλημα από την πόρτα της κατάψυξης και την τάπα της οπής από την άλλη πλευρά.



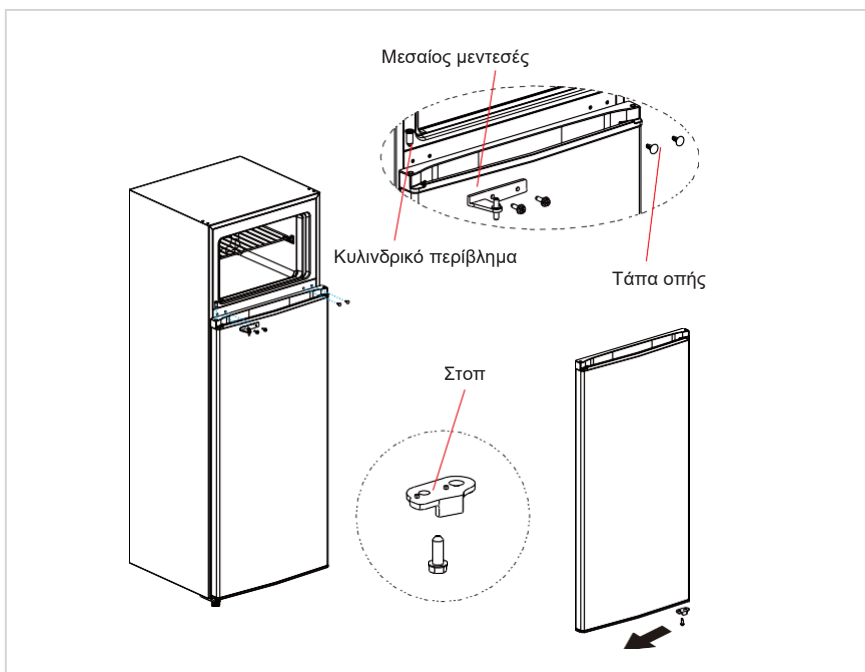
- Αφαιρέστε την πόρτα του θαλάμου κατάψυξης, τον μεσαίο μεντεσέ και το κυλινδρικό περίβλημα από την πόρτα του θαλάμου συντήρησης, καθώς και τις τάπες των οπών από την άλλη πλευρά.



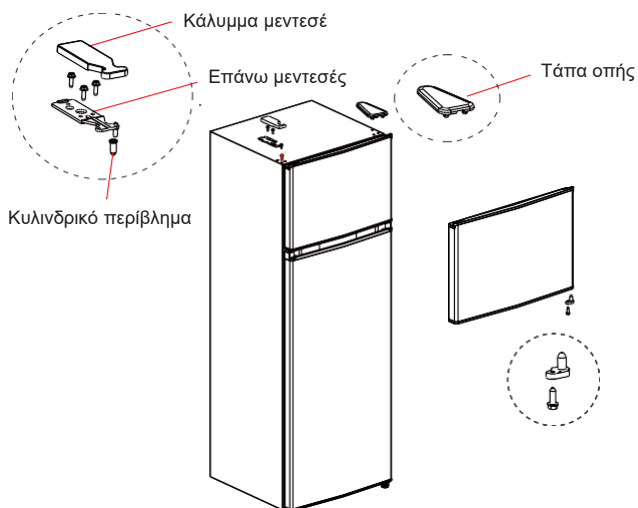
- Αφαιρέστε την πόρτα του θαλάμου συντήρησης, τον κάτω μεντεσέ και το ρυθμιζόμενο πόδι από την άλλη πλευρά.
- Συναρμολογήστε το συγκρότημα του κάτω μεντεσέ και το ρυθμιζόμενο πόδι στην άλλη πλευρά.



- Συναρμολογήστε το στοπ της πόρτας του θαλάμου συντήρησης στην άλλη πλευρά.
- Τοποθετήστε την πόρτα του θαλάμου συντήρησης στον κάτω μεντεσέ, συναρμολογήστε τον μεσαίο μεντεσέ, τοποθετήστε τις τάπες οπών και το κυλινδρικό περίβλημα της πόρτας του θαλάμου συντήρησης.





- Συναρμολογήστε το στοπ της πόρτας του θαλάμου κατάψυξης στην άλλη πλευρά.
- Τοποθετήστε την πόρτα του θαλάμου κατάψυξης στον μεσαίο μεντεσέ, συναρμολογήστε τον επάνω μεντεσέ, το κάλυμμα του επάνω μεντεσέ και το κυλινδρικό περίβλημα της πόρτας της κατάψυξης, καθώς και το καπάκι της οπής στην άλλη πλευρά.



## ΠΡΟΣΟΧΗ

Η παραπάνω εικόνα είναι μόνο για αναφορά. Η πραγματική διαμόρφωση θα εξαρτηθεί από το φυσικό προϊόν ή τη δήλωση του διανομέα.

## Πόδια οριζοντίωσης

Για να αποφύγετε τους κραδασμούς, η συσκευή πρέπει να είναι πλήρως επίπεδη. Εάν απαιτείται, ρυθμίστε τις βίδες οριζοντίωσης για να αντισταθμίσετε το ανώμαλο δάπεδο. Το μπροστινό μέρος πρέπει να είναι ελαφρώς υψηλότερο από το πίσω για εύκολο κλείσιμο της πόρτας. Οι βίδες οριζοντίωσης μπορούν να περιστραφούν εύκολα εάν γείρετε λίγο τη συσκευή. Περιστρέψτε τις βίδες οριζοντίωσης αριστερόστροφα  για ανύψωση της συσκευής, δεξιόστροφα  για χαμήλωμα.

## Σύνδεση της συσκευής

Μετά την εγκατάσταση της συσκευής, συνδέστε το φιλτράκι στην πρίζα.

### ΠΡΟΣΟΧΗ

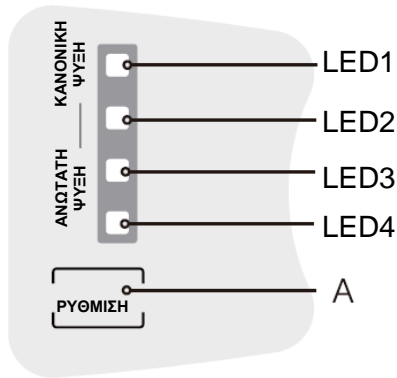
Αφού συνδέσετε το καλώδιο ρεύματος στην πρίζα, περιμένετε 2 ή 3 ώρες πριν τοποθετήσετε τρόφιμα στο ψυγείο. Εάν προσθέσετε τρόφιμα πριν κρυώσει εντελώς η συσκευή, τα τρόφιμα μπορεί να χαλάσουν.

## Συμβουλές για την εξοικονόμηση ενέργειας

- Μην τοποθετείτε τη συσκευή κοντά σε κουζίνες, καλοριφέρ ή άλλες πηγές θερμότητας. Εάν η θερμοκρασία περιβάλλοντος είναι υψηλή, ο συμπιεστής θα λειτουργεί συχνότερα και για μεγαλύτερο χρονικό διάστημα, με αποτέλεσμα την αυξημένη κατανάλωση ενέργειας.
- Βεβαιωθείτε ότι υπάρχει επαρκής εξαερισμός στη βάση, στις πλευρές και στο πίσω μέρος της συσκευής. Μην καλύπτετε ποτέ τα ανοίγματα εξαερισμού.
- Τηρείτε επίσης τα διαστήματα στο κεφάλαιο «Εγκατάσταση».
- Η διάταξη των συρταριών, των ραφιών και των ράφια που φαίνεται στις εικόνες, παρέχει την πιο αποτελεσματική χρήση ενέργειας και θα πρέπει να διατηρηθεί όσο το δυνατόν περισσότερο. Όλα τα συρτάρια και τα ράφια πρέπει να παραμείνουν στη συσκευή για να διατηρούν τη θερμοκρασία σταθερή και να εξοικονομούν ενέργεια.
- Για να αποκτήσετε μεγαλύτερο χώρο αποθήκευσης (π.χ. για κατεψυγμένα προϊόντα μεγάλου μεγέθους), μπορείτε να αφαιρέσετε τα μεσαία συρτάρια. Τα πάνω και κάτω συρτάρια και ράφια θα πρέπει να αφαιρεθούν τελευταία εάν είναι απαραίτητα.
- Ένας ομοιόμορφα γεμισμένος θάλαμος ψυγείου/καταψύκτη συμβάλλει στη βέλτιστη χρήση ενέργειας. Επομένως, αποφεύγετε να αφήνετε άδεια ή μισοάδεια διαμερίσματα.
- Αφήστε το ζεστό φαγητό να κρυώσει πριν το τοποθετήσετε στον ψυγειοκαταψύκτη. Τα τρόφιμα που έχουν ήδη κρυώσει αυξάνουν την ενεργειακή απόδοση.
- Αφήνετε τα κατεψυγμένα τρόφιμα να ξεπαγώνουν στη συντήρηση. Η ψυχρότητα των κατεψυγμένων τροφίμων μειώνει την κατανάλωση ενέργειας στον χώρο του ψυγείου και έτσι αυξάνει την ενεργειακή απόδοση.
- Ανοίγετε την πόρτα μόνο για όσο χρονικό διάστημα είναι απαραίτητο ώστε να ελαχιστοποιείται η απώλεια ψύξης. Το σύντομο άνοιγμα και το σωστό κλείσιμο της πόρτας μειώνουν την κατανάλωση ενέργειας.
- Τα λάστιχα της πόρτας της συσκευής σας πρέπει να είναι σε άριστη κατάσταση, ώστε οι πόρτες να κλείνουν σωστά και η κατανάλωση ενέργειας να μην αυξάνεται άσκοπα.

# ΟΔΗΓΙΕΣ ΛΕΙΤΟΥΡΓΙΑΣ

## Πίνακας ελέγχου



Οθόνη	Κουμπί	
1 LED 1	A	Ρύθμιση θερμοκρασίας του θαλάμου συντήρησης
2 LED 2		
3 LED 3		
4 LED 4		

## Οθόνη

- Μόλις η συσκευή τεθεί σε λειτουργία για πρώτη φορά, όλες οι λυχνίες LED ανάβουν για 2 δευτερόλεπτα και στη συνέχεια το ψυγείο λειτουργεί στην προεπιλεγμένη ρύθμιση (η λυχνία LED3 είναι αναμμένη).
- Σε περίπτωση που δεν υπάρχουν βλάβες, εμφανίζει την πραγματική ρύθμιση θερμοκρασίας του ψυγείου.
- Σε περίπτωση βλάβης, η αντίστοιχη λυχνία LED αναβοσβήνει.
- Η ένδειξη του κωδικού βλάβης θα εξαφανιστεί μετά από 30 λεπτά. Εάν πρέπει να επανεμφανίσετε τον κωδικό βλάβης, αποσυνδέστε τη συσκευή από τον πρίζα και μετά συνδέστε την ξανά.

Κωδικός βλάβης	Περιγραφή βλάβης
Το LED1/LED3 αναβοσβήνει	Βλάβη αισθητήρα θερμοκρασίας περιβάλλοντος
Το LED1/LED2/ LED4 αναβοσβήνει	Βλάβη αισθητήρα απόψυξης

## ΠΡΟΣΟΧΗ

Ο πραγματικός πίνακας ελέγχου ενδέχεται να διαφέρει από μοντέλο σε μοντέλο.

## Ρύθμιση θερμοκρασίας

- Κάθε φορά που πατιέται το κουμπί ρύθμισης θερμοκρασίας Α μία φορά, η ρύθμιση θερμοκρασίας αλλάζει. Μετά την ολοκλήρωση της ρύθμισης θερμοκρασίας, το ψυγείο θα λειτουργεί σύμφωνα με την καθορισμένη τιμή μετά από 30 δευτ.

Η σειρά με την οποία γίνεται η αλλαγή είναι:



## Λειτουργία γρήγορης κατάψυξης

- Με παρατεταμένο πάτημα του κουμπιού ρύθμισης θερμοκρασίας για 6 δευτ., επιλέγεται η λειτουργία γρήγορης κατάψυξης μετά από 30 δευτ. και ανάβουν ταυτόχρονα τα LED3 και LED4.
- Αφού λειτουργήσει το ψυγείο για 40 ώρες στη λειτουργία γρήγορης κατάψυξης ή πατηθεί το κουμπί ρύθμισης, τερματίζεται η λειτουργία γρήγορης κατάψυξης και το ψυγείο επιστρέφει στην προηγούμενη ρύθμιση.
- Συνιστάται να ενεργοποιείτε τη λειτουργία ταχείας κατάψυξης για 12 ώρες πριν τοποθετήσετε μεγάλη ποσότητα κατεψυγμένων τροφίμων στον θάλαμο κατάψυξης ταυτόχρονα.

## Λειτουργία γρήγορης ψύξης

- Με παρατεταμένο πάτημα του κουμπιού ρύθμισης θερμοκρασίας για 3 δευτ., επιλέγεται η λειτουργία γρήγορης ψύξης μετά από 30 δευτ. και ανάβουν ταυτόχρονα τα LED1 και LED2.
- Αφού λειτουργήσει το ψυγείο για 6 ώρες στη λειτουργία γρήγορης ψύξης ή πατηθεί το κουμπί ρύθμισης, τερματίζεται η λειτουργία γρήγορης ψύξης και το ψυγείο επιστρέφει στην προηγούμενη ρύθμιση.

## Κατάσταση αναμονής

- Με παρατεταμένο πάτημα του κουμπιού ρύθμισης για 10 δευτ., όλα τα LED στον πίνακα ελέγχου σβήνουν και η λειτουργία αναμονής ενεργοποιείται μετά από 30 δευτερόλεπτα. Στην κατάσταση αναμονής, πατήστε ξανά το κουμπί ρύθμισης. Θα ανάψουν όλα τα LED και θα τερματιστεί η λειτουργία αναμονής.
- Το ψυγείο σταματά να λειτουργεί και η λυχνία σβήνει αυτόματα στη λειτουργία αναμονής.

### ΠΡΟΣΟΧΗ

Η λειτουργία γρήγορης κατάψυξης έχει σχεδιαστεί για να διατηρεί τη θρεπτική αξία των τροφίμων στην κατάψυξη. Μπορεί να καταψύξει τα τρόφιμα στο συντομότερο χρονικό διάστημα. Εάν θέλετε να καταψύξετε ταυτόχρονα μια μεγάλη ποσότητα τροφίμων, συνιστάται να ενεργοποιήσετε τη λειτουργία γρήγορης κατάψυξης και να βάλετε τα τρόφιμα στην κατάψυξη. Τη συγκεκριμένη στιγμή, η ταχύτητα κατάψυξης του θαλάμου κατάψυξης αυξάνεται, με αποτέλεσμα τη γρήγορη κατάψυξη των τροφίμων, την αποτελεσματική διατήρηση της διατροφικής αξίας των τροφίμων και τη διευκόλυνση της αποθήκευσης.

## Συμβουλές για την αποθήκευση τροφίμων

### Θάλαμος κατάψυξης

- Ο θάλαμος κατάψυξης προορίζεται για την αποθήκευση τροφίμων που έχουν καταψυχθεί σε πολύ χαμηλή θερμοκρασία, τη μακροπρόθεσμη αποθήκευση κατεψυγμένων τροφίμων και την παραγωγή πάγου.
- Χρησιμοποιείτε τα ράφια στην πόρτα του θαλάμου κατάψυξης μόνο για την αποθήκευση κατεψυγμένων τροφίμων και όχι για την αποθήκευση ζεστών τροφίμων που προορίζονται για κατάψυξη.
- Μην τοποθετείτε φρέσκα και κατεψυγμένα τρόφιμα το ένα δίπλα στο άλλο. Τα κατεψυγμένα τρόφιμα μπορεί να ξεπαγώσουν.
- Όταν καταψύχετε νωπά τρόφιμα (όπως κρέας ή ψάρια), κόψτε τα σε κομμάτια που μπορούν να χρησιμοποιηθούν ταυτόχρονα.
- Αποθήκευση κατεψυγμένων τροφίμων: Οι οδηγίες αναφέρονται συνήθως πάνω στις συσκευασίες και πρέπει να τηρούνται. Εάν δεν υπάρχουν πληροφορίες στη συσκευασία, τα τρόφιμα δεν πρέπει να αποθηκεύονται για περισσότερο από τρεις μήνες από την ημερομηνία αγοράς.
- Κατά την αγορά κατεψυγμένων τροφίμων, βεβαιωθείτε ότι έχουν καταψυχθεί σε κατάλληλη θερμοκρασία και ότι η συσκευασία δεν έχει υποστεί ζημιά.
- Τα κατεψυγμένα τρόφιμα πρέπει να φυλάσσονται σε κατάλληλες συσκευασίες για να διατηρείται η ποιότητα και πρέπει να επανατοποθετούνται στον θάλαμο κατάψυξης το συντομότερο δυνατό.
- Εάν μια συσκευασία κατεψυγμένων τροφίμων παρουσιάζει υγρασία ή ανώμαλη διόγκωση, είναι πιθανό ότι αποθηκεύτηκε σε λάθος θερμοκρασία και το περιεχόμενο έχει χαλάσει.
- Η περίοδος αποθήκευσης των κατεψυγμένων τροφίμων εξαρτάται από τη θερμοκρασία δωματίου, τη ρύθμιση του θερμοστάτη, τη συχνότητα ανοίγματος της πόρτας του θαλάμου κατάψυξης, τον τύπο των τροφίμων και τον χρόνο μεταφοράς του προϊόντος από το κατάστημα στο νοικοκυριό. Ακολουθείτε πάντα τις οδηγίες που αναγράφονται στη συσκευασία και να μην υπερβαίνετε ποτέ τον μέγιστο χρόνο αποθήκευσης που αναγράφεται στη συσκευασία.

### Θάλαμος συντήρησης

- Για να μειώσετε την υγρασία και την επακόλουθη συσσώρευση πάγου, μην τοποθετείτε ποτέ υγρό στο ψυγείο σε μη σφραγισμένα δοχεία. Υπάρχει τάση συσσώρευσης πάγου στα πιο κρύα μέρη του εξαμιστήρα. Η αποθήκευση ακάλυπτων υγρών έχει ως αποτέλεσμα την συχνότερη ανάγκη απόψυξης.
- Μη βάζετε ποτέ ζεστά τρόφιμα στο ψυγείο. Αυτά θα πρέπει πρώτα να ψύχονται σε θερμοκρασία δωματίου και στη συνέχεια να τοποθετούνται έτσι ώστε να εξασφαλίζεται η επαρκής κυκλοφορία του αέρα στο ψυγείο.
- Τα τρόφιμα ή τα δοχεία τροφίμων δεν πρέπει να αγγίζουν το πίσω τοίχωμα του ψυγείου, επειδή θα μπορούσαν να παγώσουν και να κολλήσουν πάνω στο τοίχωμα. Μην ανοίγετε συχνά την πόρτα του ψυγείου.
- Το κρέας και τα καθαρισμένα ψάρια (συσκευασμένα σε συσκευασία ή πλαστική σακούλα) μπορούν να τοποθετηθούν στον θάλαμο συντήρησης, για να χρησιμοποιηθούν σε 1–2 ημέρες.
- Τα μη συσκευασμένα φρούτα και λαχανικά μπορούν να τοποθετηθούν στο μέρος που προορίζεται για φρέσκα φρούτα και λαχανικά.

### ΠΡΟΣΟΧΗ

Η βέλτιστη ρύθμιση θερμοκρασίας κάθε θαλάμου εξαρτάται από τη θερμοκρασία περιβάλλοντος. Οι παραπάνω βέλτιστες θερμοκρασίες βασίζονται στη θερμοκρασία περιβάλλοντος των 25 °C.

Σειρά	Τύπος θαλάμου	Θερμοκρασία-στόχος [°C]	Κατάλληλα τρόφιμα
1	Συντήρηση	$+2 \leq x \leq +8$	Αυγά, μαγειρεμένα τρόφιμα, συσκευασμένα τρόφιμα, φρούτα και λαχανικά, γαλακτοκομικά προϊόντα, κέικ, ποτά και άλλα τρόφιμα που δεν είναι κατάλληλα για κατάψυξη.
2	(**)*-Κατάψυξη	$x \leq -18$	Θαλασσινά (ψάρια, γαρίδες, οστρακοειδή), υδρόβια προϊόντα γλυκού νερού και προϊόντα κρέατος (συνιστάται για 3 μήνες, όσο μεγαλύτερος είναι ο χρόνος αποθήκευσης, τόσο χειρότερη είναι η γεύση και η διατροφική αξία), κατάλληλο για κατεψυγμένα φρέσκα τρόφιμα.
3	***-Κατάψυξη	$x \leq -18$	Θαλασσινά (ψάρια, γαρίδες, οστρακοειδή), υδρόβια προϊόντα γλυκού νερού και προϊόντα κρέατος (συνιστάται για 3 μήνες, όσο μεγαλύτερος είναι ο χρόνος αποθήκευσης, τόσο χειρότερη είναι η γεύση και η διατροφική αξία), κατάλληλο για κατεψυγμένα φρέσκα τρόφιμα.
4	**-Κατάψυξη	$x \leq -12$	Θαλασσινά (ψάρια, γαρίδες, οστρακοειδή), υδρόβια προϊόντα γλυκού νερού και προϊόντα κρέατος (συνιστάται για 3 μήνες, όσο μεγαλύτερος είναι ο χρόνος αποθήκευσης, τόσο χειρότερη είναι η γεύση και η διατροφική αξία), κατάλληλο για κατεψυγμένα φρέσκα τρόφιμα.
5	*-Κατάψυξη	$x \leq -6$	Θαλασσινά (ψάρια, γαρίδες, οστρακοειδή), υδρόβια προϊόντα γλυκού νερού και προϊόντα κρέατος (συνιστάται για 3 μήνες, όσο μεγαλύτερος είναι ο χρόνος αποθήκευσης, τόσο χειρότερη είναι η γεύση και η διατροφική αξία), κατάλληλο για κατεψυγμένα φρέσκα τρόφιμα.
6	0 αστέρι	$-6 \leq x \leq 0$	Φρέσκο χοιρινό, βοδινό, ψάρι, κοτόπουλο, ορισμένα συσκευασμένα επεξεργασμένα τρόφιμα κ.λπ. (Συνιστάται να καταναλώνονται μέσα στην ίδια ημέρα, κατά προτίμηση όχι περισσότερο από 3 ημέρες). Μερικώς συσκευασμένα επεξεργασμένα τρόφιμα (μη καταψύξιμα τρόφιμα).
7	Ψύξη	$-2 \leq x \leq +3$	Φρέσκο κατεψυγμένο χοιρινό, βοδινό, κοτόπουλο, υδρόβια προϊόντα γλυκού νερού κ.λπ. (7 ημέρες κάτω των 0 °C και άνω των 0 °C συνιστάται για κατανάλωση μέσα στην ίδια ημέρα, κατά προτίμηση όχι περισσότερο από 2 ημέρες). Θαλασσινά (λιγότερο από 0 °C για 15 ημέρες, δεν συνιστάται αποθήκευση άνω των 0 °C).
8	Φρέσκα τρόφιμα	$0 \leq x \leq +4$	Φρέσκο χοιρινό, βοδινό, ψάρι, κοτόπουλο, μαγειρεμένο φαγητό κ.λπ. (Συνιστάται να καταναλώνονται μέσα στην ίδια ημέρα, κατά προτίμηση όχι περισσότερο από 3 ημέρες)
9	Κρασί	$+5 \leq x \leq +20$	Κόκκινο κρασί, λευκό κρασί, αφρώδες κρασί κ.λπ.

## ΠΡΟΣΟΧΗ

Αποθηκεύετε τα διαφορετικά τρόφιμα στον κατάλληλο θάλαμο και σύμφωνα με τη θερμοκρασία αποθήκευσης-στόχο αυτού που αγοράσατε..

# ΚΑΘΑΡΙΣΜΑ ΚΑΙ ΣΥΝΤΗΡΗΣΗ

## Ξεπάγωμα

- Απενεργοποιήστε το ψυγείο.
- Αφαιρέστε τα τρόφιμα από το ψυγείο και τοποθετήστε τα σε κατάλληλο σημείο για να μην αποψυχθούν.
- Καθαρίστε τον σωλήνα αποστράγγισης (χρησιμοποιήστε μαλακά υλικά για να αποφύγετε ζημιές στην επένδυση). Προετοιμάστε τα δοχεία νερού για την απόψυξη. (Προσέξτε κατά τον καθαρισμό του δίσκου αποστράγγισης νερού του θαλάμου συμπίεστη ώστε να μην χυθούν νερά στο δάπεδο.)
- Μπορείτε επίσης να χρησιμοποιήσετε μια κατάλληλη ποσότητα ζεστού νερού για να επιταχύνετε την απόψυξη, χρησιμοποιώντας μια στεγνή πετσέτα για να στεγνώσετε το νερό μετά την απόψυξη.
- Μπορείτε επίσης να χρησιμοποιήσετε μια κατάλληλη ποσότητα ζεστού νερού για να επιταχύνετε την απόψυξη, χρησιμοποιώντας μια στεγνή πετσέτα για να στεγνώσετε το νερό μετά την απόψυξη.
- Μετά την απόψυξη, τοποθετήστε ξανά τα τρόφιμα στον θάλαμο και ενεργοποιήστε το ψυγείο.

## Διακοπή χρήσης

### Διακοπή ρεύματος:

Σε περίπτωση διακοπής ρεύματος, ακόμη και αν είναι καλοκαίρι, τα τρόφιμα στο εσωτερικό της συσκευής μπορούν να διατηρηθούν για αρκετές ώρες. Κατά τη διάρκεια της διακοπής ρεύματος, οι χρόνοι ανοίγματος της πόρτας πρέπει να μειώνονται και να μην τοποθετούνται άλλα φρέσκα τρόφιμα στη συσκευή.

### Μη χρήση για μεγάλο χρονικό διάστημα:

Η συσκευή πρέπει να αποσυνδεθεί από την πρίζα και μετά να καθαριστεί. Στη συνέχεια, οι πόρτες πρέπει να παραμείνουν ανοιχτές για να αποφευχθεί η οσμή.

### Μετακίνηση:

Πριν από τη μετακίνηση του ψυγείου, αφαιρέστε όλα τα αντικείμενα από μέσα, στερεώστε τα γυάλινα χωρίσματα, τη θήκη λαχανικών, τα συρτάρια του θαλάμου κατάψυξης κ.λπ. με ταινία, και σφίξτε τα πόδια οριζοντίωσης. Μετά, κλείστε τις πόρτες και σφραγίστε τις με ταινία. Κατά τη διάρκεια της μετακίνησης, η συσκευή δεν πρέπει να τοποθετείται ανάποδα ή οριζόντια ή να δονείται. Η κλίση κατά τη διάρκεια της κίνησης δεν πρέπει να υπερβαίνει τις 45°.

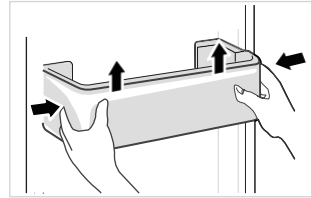


## ΠΡΟΣΟΧΗ

Η συσκευή θα λειτουργεί συνεχώς μόλις ξεκινήσει. Γενικά, η λειτουργία της συσκευής δεν θα πρέπει να διακόπτεται. Διαφορετικά, η διάρκεια ζωής μπορεί να μειωθεί. Τα τρόφιμα μπορούν να διατηρηθούν για μερικές ώρες ακόμη και το καλοκαίρι σε περίπτωση διακοπής ρεύματος. Συνιστάται να μειωθεί η συχνότητα ανοίγματος της πόρτας.

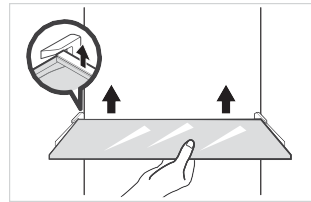
## Καθάρισμα της θήκης πόρτας

- Σύμφωνα με το βέλος κατεύθυνσης στην παρακάτω εικόνα, χρησιμοποιήστε και τα δύο χέρια για να πιέσετε τη θήκη και να την σπρώξετε προς τα πάνω, οπότε μπορείτε να την αφαιρέσετε.
- Αφού πλύνετε τη θήκη που έχει αφαιρεθεί, μπορείτε να ρυθμίσετε το ύψος τοποθετώντας την ανάλογα με τις απαιτήσεις σας.



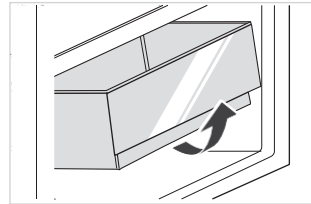
## Καθάρισμα γυάλινου ραφιού

- Δεδομένου ότι στο εσωτερικό μέρος της επένδυσης του ψυγείου υπάρχει ένα στήριγμα για τα ράφια, ανασηκώστε το ράφι προς τα πάνω και τότε μπορείτε να το αφαιρέσετε.
- Ρυθμίστε ή καθαρίστε τα ράφια ανάλογα με τις απαιτήσεις σας.



## Καθάρισμα του συρταριού φρούτων και λαχανικών

- Αφαιρέστε τα περιεχόμενα του συρταριού φρούτων και λαχανικών. Πιάστε τη λαβή του συρταριού και τραβήξτε το εντελώς προς τα έξω μέχρι να σταματήσει.
- Ανασηκώστε το συρτάρι και βγάλτε το τραβώντας το προς τα έξω.



### ΠΡΟΣΟΧΗ

Για το καθάρισμα, συνιστάται να χρησιμοποιείτε μαλακές πετσέτες ή σφουγγάρι ποτισμένα με νερό και μη διαβρωτικά ουδέτερα απορρυπαντικά. Ο καταψύκτης πρέπει να καθαρίζεται τελικά με καθαρό νερό και στεγνό πανί. Αφήστε την πόρτα ανοιχτή για φυσικό στέγνωμα πριν το συνδέσετε ξανά στην παροχή ρεύματος. Μην χρησιμοποιείτε σκληρές βούρτσες, χαλύβδινα σφαιρίδια καθαρισμού, συρματίνες βούρτσες, λειαντικά (όπως, οργανικούς διαλύτες (όπως αλκοόλη, ακετόνη, οξικό ισοαμύλιο κ.λπ.), βραστό νερό, όξινα ή αλκαλικά στοιχεία για να καθαρίσετε το ψυγείο καθώς αυτά μπορεί να καταστρέψουν την επιφάνεια και το εσωτερικό του ψυγείου.

# ΑΝΤΙΜΕΤΩΠΙΣΗ ΠΡΟΒΛΗΜΑΤΩΝ

Τα ακόλουθα απλά ζητήματα μπορούν να αντιμετωπιστούν από τον χρήστη. Καλέστε το τμήμα εξυπηρέτησης μετά την πώληση εάν τα ζητήματα δεν επιλύονται.

Πρόβλημα	Πιθανός λόγος
Αποτυχία λειτουργίας	• Ελέγξτε αν η συσκευή είναι συνδεδεμένη στην παροχή ρεύματος και αν το φως κάνει καλή επαφή.
	• Ελέγξτε αν η τάση είναι πολύ χαμηλή.
	• Ελέγξτε αν υπάρχει διακοπή ρεύματος ή έχουν απενεργοποιηθεί μερικά κυκλώματα.
Οσμή	• Τα οσμηρά τρόφιμα πρέπει να τυλίγονται σφιχτά.
	• Ελέγξτε αν υπάρχουν τρόφιμα που έχουν χαλάσει.
	• Καθαρίστε το εσωτερικό του ψυγείου.
Ο αεροσυμπιεστής λειτουργεί συνεχώς.	• Η συνεχής λειτουργία του ψυγείου είναι φυσιολογική το καλοκαίρι
	• Όταν η θερμοκρασία περιβάλλοντος είναι υψηλή, καλό είναι να μη βάζετε πάρα πολλά τρόφιμα στο ψυγείο ταυτόχρονα.
	• Τα τρόφιμα πρέπει να είναι σε θερμοκρασία περιβάλλοντος πριν τοποθετηθούν στη συσκευή.
	• Οι πόρτες ανοίγονται πολύ συχνά.
Το φως δεν ανάβει.	• Ελέγξτε αν το ψυγείο είναι συνδεδεμένο στην παροχή ρεύματος και εάν η λυχνία φωτισμού έχει υποστεί ζημιά.
	• Ζητήστε από έναν ειδικό να αντικαταστήσει τη λυχνία.
Η πόρτα δεν κλείνει καλά.	• Η πόρτα δεν κλείνει επειδή έχει τοποθετηθεί υπερβολική ποσότητα τροφίμων.
	• Το ψυγείο έχει κλίση.
Δυνατοί θόρυβοι	• Ελέγξτε αν το δάπεδο είναι επίπεδο και αν το ψυγείο είναι σταθερά τοποθετημένο.
	• Ελέγξτε αν τα εξαρτήματα είναι τοποθετημένα στις κατάλληλες θέσεις.

Πρόβλημα	Πιθανός λόγος
Αποτυχία λειτουργίας	<ul style="list-style-type: none"> <li>• Ελέγξτε αν η συσκευή είναι συνδεδεμένη στην παροχή ρεύματος και αν το φως κάνει καλή επαφή.</li> <li>• Ελέγξτε αν η τάση είναι πολύ χαμηλή.</li> <li>• Ελέγξτε αν υπάρχει διακοπή ρεύματος ή έχουν πέσει κάποιες ασφάλειες.</li> </ul>
Οσμή	<ul style="list-style-type: none"> <li>• Τα οσμηρά τρόφιμα πρέπει να τυλίγονται σφιχτά.</li> <li>• Ελέγξτε αν υπάρχουν τρόφιμα που έχουν χαλάσει.</li> <li>• Καθαρίστε το εσωτερικό του ψυγείου.</li> </ul>
Ο αεροσυμπιεστής λειτουργεί συνεχώς.	<ul style="list-style-type: none"> <li>• Η λειτουργία του ψυγείου για μεγάλο διάστημα είναι φυσιολογική το καλοκαίρι όταν η θερμοκρασία περιβάλλοντος είναι υψηλή.</li> <li>• Καλό είναι να μη βάζετε πάρα πολλά τρόφιμα στο ψυγείο ταυτόχρονα.</li> <li>• Τα τρόφιμα πρέπει να είναι σε θερμοκρασία περιβάλλοντος πριν τοποθετηθούν στη συσκευή.</li> <li>• Οι πόρτες ανοίγονται πολύ συχνά.</li> </ul>
Το φως δεν ανάβει.	<ul style="list-style-type: none"> <li>• Ελέγξτε αν το ψυγείο είναι συνδεδεμένο στην παροχή ρεύματος και εάν η λυχνία φωτισμού έχει υποστεί ζημιά.</li> </ul>
Οι πόρτες δεν κλείνουν καλά	<ul style="list-style-type: none"> <li>• Η πόρτα έχει φρακάρει από συσκευασίες τροφίμων.</li> <li>• Το ψυγείο έχει κλίση.</li> </ul>
Δυνατοί θόρυβοι	<ul style="list-style-type: none"> <li>• Ελέγξτε αν το δάπεδο είναι επίπεδο και αν το ψυγείο είναι σταθερά τοποθετημένο.</li> <li>• Ελέγξτε αν τα παρελκόμενα είναι τοποθετημένα στις κατάλληλες θέσεις.</li> </ul>
Το λάστιχο της πόρτας δεν είναι σφιχτό.	<ul style="list-style-type: none"> <li>• Αφαιρέστε τα ξένα σώματα από το λάστιχο της πόρτας.</li> <li>• Ζεστάνετε το λάστιχο της πόρτας και στη συνέχεια αφήστε το να κρυώσει για αποκατάσταση (φυσήξτε το με σεσουάρ ή χρησιμοποιήστε μια ζεστή πετσέτα για να το ζεστάνετε).</li> </ul>
Το δοχείο νερού ξεχειλίζει.	<ul style="list-style-type: none"> <li>• Υπάρχουν πάρα πολλά τρόφιμα στον θάλαμο ή τα αποθηκευμένα τρόφιμα περιέχουν πάρα πολύ νερό, με αποτέλεσμα ραγδαία απόψυξη.</li> <li>• Οι πόρτες δεν κλείνουν καλά, με αποτέλεσμα τη δημιουργία πάγου λόγω εισόδου αέρα και αυξημένου νερού λόγω απόψυξης.</li> </ul>
Ζεστό περίβλημα	<ul style="list-style-type: none"> <li>• Μετάδοση θερμότητας του ενσωματωμένου συμπυκνωτή μέσω του περιβλήματος, το οποίο είναι φυσιολογικό.</li> <li>• Όταν το περίβλημα ζεσταθεί πολύ λόγω της υψηλής περιβαλλοντικής θερμοκρασίας και της αποθήκευσης υπερβολικής ποσότητας τροφίμων, συνιστάται να παρέχεται επαρκής εξαερισμός για να διευκολύνεται η απομάκρυνση της θερμότητας.</li> </ul>
Συμπύκνωμα υγρασίας στην επιφάνεια	<ul style="list-style-type: none"> <li>• Η συμπύκνωση υγρασίας στην εξωτερική επιφάνεια και στα λάστιχα των πορτών του ψυγείου είναι κάτι φυσιολογικό όταν η υγρασία του περιβάλλοντος είναι πάρα πολύ υψηλή. Απλώς σκουπίστε το συμπύκνωμα με μια καθαρή πετσέτα.</li> </ul>
Μη φυσιολογικός θόρυβος	<ul style="list-style-type: none"> <li>• Βόμβος: Ο αεροσυμπιεστής μπορεί να παράγει ήχο βόμβου κατά τη λειτουργία που μπορεί να είναι δυνατός ιδιαίτερα κατά την εκκίνηση ή τη διακοπή λειτουργίας. Αυτό είναι φυσιολογικό.</li> <li>• Τρίξιμο: Το ψυκτικό μέσο που ρέει στο εσωτερικό της συσκευής μπορεί να προκαλέσει ήχο τριξίματος, κάτι που είναι φυσιολογικό.</li> </ul>

# ΠΑΡΑΡΤΗΜΑ

## Ειδικά για το νέο ευρωπαϊκό πρότυπο

Μπορείτε να παραγγείλετε τα ανταλλακτικά του παρακάτω πίνακα από το εξής κανάλι:  
ΑΜΟΙΡΙΔΗΣ - ΣΑΒΒΙΔΗΣ Α.Ε.  
17ης Νοεμβρίου 87Α, 55535, Πυλαία, Θεσσαλονίκη  
Τηλ.: +302310944944

Ανταλλακτικό για παραγγελία	Παρέχεται από	Ελάχιστος χρόνος που απαιτείται για την προμήθεια
Θερμοστάτες	Επαγγελματίες συντήρησης	Τουλάχιστον 7 χρόνια από την τοποθέτηση του τελευταίου μοντέλου στην αγορά
Αισθητήρες θερμοκρασίας	Επαγγελματίες συντήρησης	Τουλάχιστον 7 χρόνια από την τοποθέτηση του τελευταίου μοντέλου στην αγορά
Πλακέτες τυπωμένων κυκλωμάτων	Επαγγελματίες συντήρησης	Τουλάχιστον 7 χρόνια από την τοποθέτηση του τελευταίου μοντέλου στην αγορά
Λυχνίες	Επαγγελματίες συντήρησης	Τουλάχιστον 7 χρόνια από την τοποθέτηση του τελευταίου μοντέλου στην αγορά
Λαβές πορτών	Επαγγελματίες επισκευών και τελικοί χρήστες	Τουλάχιστον 7 χρόνια από την τοποθέτηση του τελευταίου μοντέλου στην αγορά
Μεντεσέδες πορτών	Επαγγελματίες επισκευών και τελικοί χρήστες	Τουλάχιστον 7 χρόνια από την τοποθέτηση του τελευταίου μοντέλου στην αγορά
Δίσκοι	Επαγγελματίες επισκευών και τελικοί χρήστες	Τουλάχιστον 7 χρόνια από την τοποθέτηση του τελευταίου μοντέλου στην αγορά
Καλάθια	Επαγγελματίες επισκευών και τελικοί χρήστες	Τουλάχιστον 7 χρόνια από την τοποθέτηση του τελευταίου μοντέλου στην αγορά
Λάστιχα πορτών	Επαγγελματίες επισκευών και τελικοί χρήστες	Τουλάχιστον 10 χρόνια από την τοποθέτηση του τελευταίου μοντέλου στην αγορά

## Αγαπητέ πελάτη

- Εάν θέλετε να επιστρέψετε ή να αντικαταστήσετε το προϊόν, επικοινωνήστε με το κατάστημα όπου το αγοράσατε.  
(Θυμηθείτε να προσκομίσετε το τιμολόγιο αγοράς)
- Εάν το προϊόν σας πάθει βλάβη και πρέπει να επισκευαστεί, επικοινωνήστε με τον πάροχο υπηρεσιών μετά την πώληση.

## ΠΡΟΣΟΧΗ

Οι πληροφορίες του μοντέλου στη βάση δεδομένων του προϊόντος, καθώς και το αναγνωριστικό του μοντέλου, μπορούν να ληφθούν μέσω μιας σύνδεσης web που σαρώνεται από έναν κωδικό QR, εάν υπάρχει, στην ετικέτα ενεργειακής απόδοσης του προϊόντος.

Για περισσότερες πληροφορίες σχετικά με την ενεργειακή απόδοση της συσκευής, επισκεφθείτε τη διεύθυνση <https://ec.europa.eu> και κάντε αναζήτηση με το όνομα του μοντέλου.

Το όνομα του μοντέλου υπάρχει στην ετικέτα αξιολόγησης της συσκευής.

## ΕΙΔΟΠΟΙΗΣΗ ΣΧΕΤΙΚΑ ΜΕ ΤΗΝ ΑΝΑΚΥΚΛΩΣΗ



Το προϊόν σας σχεδιάζεται και κατασκευάζεται με υλικά και εξαρτήματα υψηλής ποιότητας που μπορούν να ανακυκλωθούν και να επαναχρησιμοποιηθούν.

Αυτό το σύμβολο σημαίνει ότι ο ηλεκτρικός και ηλεκτρονικός εξοπλισμός, στο τέλος του κύκλου ζωής του, θα πρέπει να απορρίπτεται ξεχωριστά από τα οικιακά απορρίμματα.

Απορρίψτε αυτόν τον εξοπλισμό στο κέντρο συλλογής/ανακύκλωσης απορριμμάτων της τοπικής σας κοινότητας.

Στην Ευρωπαϊκή Ένωση υπάρχουν χωριστά συστήματα συλλογής για μεταχειρισμένα ηλεκτρικά και ηλεκτρονικά προϊόντα.

Βοηθήστε μας να διατηρήσουμε το περιβάλλον στο οποίο ζούμε!

## ΔΗΛΩΣΗ ΣΥΜΜΟΡΦΩΣΗΣ

Με το παρόν, δηλώνουμε ότι αυτό το προϊόν συμμορφώνεται με τις απαιτήσεις των παρακάτω οδηγιών:

Οδηγία ΗΜΣ: 14/30/ΕΕ

Οδηγία χαμηλής τάσης: 14/35/ΕΕ

Οδηγία του ΕΚ 09/125/ΕΚ

Σήμανση CE: 93/68/ΕΟΚ

Οδηγία RoHS: 11/65/ΕΕ και Κατ' εξουσιοδότηση κανονισμός της Επιτροπής (ΕΕ) 15/863

Η λεπτομερής δήλωση συμμόρφωσης υπάρχει στη διεύθυνση [www.morris.gr](http://www.morris.gr).





**Καλλιόπη Καρύδα & ΣΙΑ Ε.Ε.**

17<sup>ης</sup> Νοεμβρίου 87Α  
55535, Πυλαία, Θεσσαλονίκη  
Τηλ. 2316 006600  
Φαξ 2316 006650  
[www.morris.gr](http://www.morris.gr)