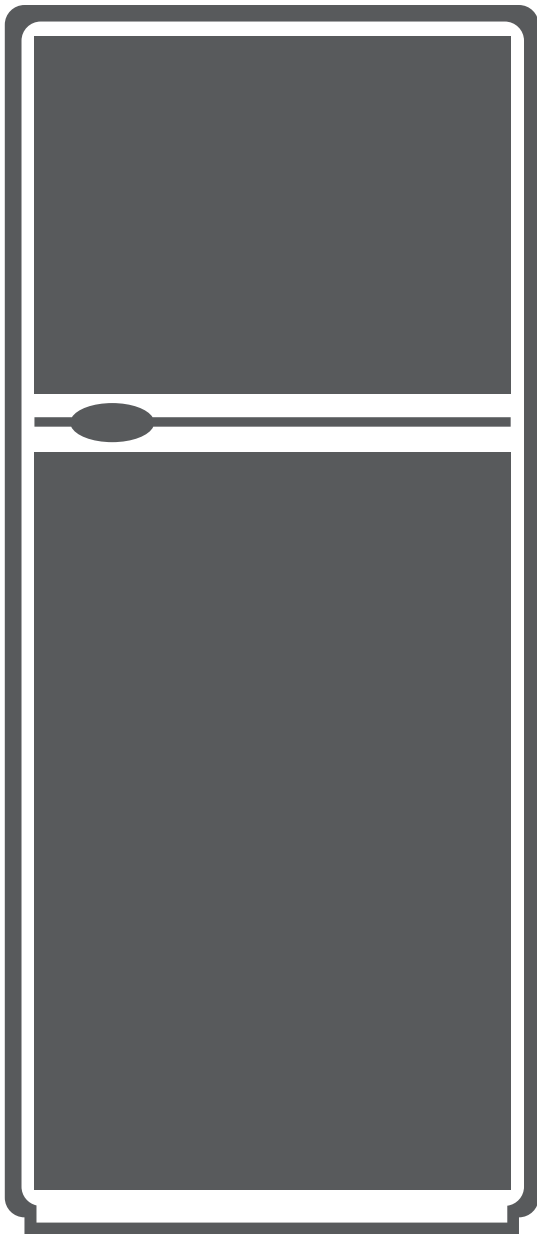




REFRIGERATOR

DOUBLE DOOR



- **USER'S MANUAL**
- **ΕΓΧΕΙΡΙΔΙΟ ΧΡΗΣΗΣ**

MODEL:
DP1430SEL



CONTENTS

1 Safety warnings	
1.1 Warning	3
1.2 Meaning of safety warning symbols	5
1.3 Electricity related warnings	5
1.4 Warnings for using	6
1.5 Warnings for placement	6
1.6 Warnings for energy	7
1.7 Warnings for disposal	7
2 Proper use of the refrigerator	
2.1 Placement	8
2.2 Levelling feet	10
2.3 Door right-left change(Optional)	10
2.4 Changing the Light	13
2.5 Starting	13
2.6 Energy saving tips	13
3 Structure and functions	
3.1 Key components	14
3.2 Functions	15
4 Maintenance and care of the refrigerator	
4.1 Overall cleaning	17
4.2 Cleaning the glass shelf	17
4.3 Cleaning the door tray	17
4.4 Cleaning the fruits and vegetables box	17
4.5 Defrosting	18
4.6 Out of operation	18
5 Trouble shooting	19

1 Safety Warnings

1.1 Warning



Warning: risk of fire / flammable materials

This appliance is intended to be used in household and similar applications such as staff kitchen areas in shops, offices and other working environments; farm houses and by clients in hotels, motels and other residential type environments; bed and breakfast type environments; catering and similar non-retail applications.

If the supply cord is damaged, it must be replaced by the manufacturer, its service agent or similarly qualified persons in order to avoid a hazard.

Do not store explosive substances such as aerosol cans with a flammable propellant in this appliance.

The appliance has to be unplugged after use and before carrying out user maintenance on the appliance.

Warning: Keep ventilation openings, in the appliance enclosure or in the built-in structure, clear of obstruction.

Warning: Do not use mechanical devices or other means to accelerate the defrosting process, other than those recommended by the manufacturer.

Warning: Do not damage the refrigerant circuit.

Warning: Do not use electrical appliances inside the food storage compartments of the appliance, unless they are of the type recommended by the manufacturer.

Warning: Please abandon the refrigerator according to local regulators for its use of flammable blowing gas and refrigerant.

Warning: When positioning the appliance, ensure the supply cord is not trapped or damaged.

Warning: Do not locate multiple portable socket-outlets or portable power supplies at the rear of the appliance.

Do not use extension cords or ungrounded (two prong) adapters.

Danger: Risk of child entrapment. Before you throw away your old refrigerator or freezer:

-Take off the doors.

-Leave the shelves in place so that children may not easily climb inside.

The refrigerator must be disconnected from the source of electrical supply before attempting the installation of accessory.

Refrigerant and cyclopentane foaming material used for the appliance are flammable.

Therefore, when the appliance is scrapped, it shall be kept away from any fire source and be recovered by a special recovering company with corresponding qualification other than be disposed by combustion, so as to prevent damage to the environment or any other harm.

The necessity that, for doors or lids fitted with locks and keys, the keys be kept out of the reach of children and not in the vicinity of the refrigerating appliance, in order to prevent children from being locked inside .

Warning for children : This appliance is not intended for use by persons (including children) with reduced physical sensory or mental capabilities, or lack of experience and knowledge, unless they have been given supervision or instruction concerning use of the appliance by a person responsible for their safety. Children should be supervised to ensure that they do not play with the appliance. Children aged from 3 to 8 years are allowed to load and unload refrigerating appliances.

Tips for daily use:

To avoid contamination of food, please respect the following instructions:

- Opening the door for long periods can cause a significant increase of the temperature in the compartments of the appliance.
- Clean regularly surfaces that can come in contact with food and accessible drainage systems.
- Clean water tanks if they have not been used for 48 h; flush the water system connected to a water supply if water has not been drawn for 5 days. (note 1)
- Store raw meat and fish in suitable containers in the refrigerator, so that it is not in contact with or drip onto other food.
- Two-star frozen-food compartments are suitable for storing pre-frozen food, storing or making ice-cream and making ice cubes. (note 2)
- One-, two- and three-star compartments are not suitable for the freezing of fresh food. (note 3)
- For appliances without a 4-star compartment: this refrigerating appliance is not suitable for freezing foodstuffs. (note 4)
- If the refrigerating appliance is left empty for long periods, switch off, defrost, clean, dry, and leave the door open to prevent mould developing within the appliance.




Note 1,2,3,4: Please confirm whether it is applicable according to your product compartment type.

For a freestanding appliance: this refrigerating appliance is not intended to be used as a built-in appliance.

For appliance with chill compartment : some types of fresh vegetables and fruits are sensitive to cold, and that therefore they are not suitable for storage in this kind of compartment

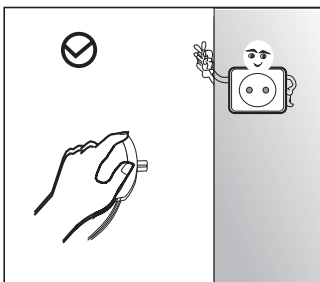
Any replacement or maintenance of the LED lamps is intended to be made by the manufacturer, its service agent or similar qualified person.

1.2 Meaning of safety warning symbols

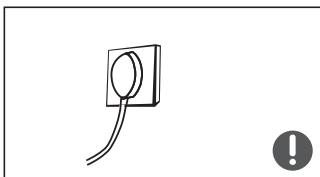
	This is a prohibition symbol. Any inobservance with instructions marked with this symbol may result in damage to the product or endanger the personal safety of the user.
	This is a warning symbol. It is required to operate in strict observance of instructions marked with this symbol; or otherwise damage to the product or personal injury may be caused.
	This is a cautioning symbol. Instructions marked with this symbol require special caution. Insufficient caution may result in slight or moderate injury, or damage to the product.

This manual contains lots of important safety information which shall be observed by the users.

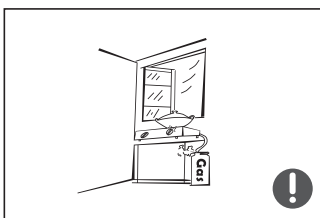
1.3 Electricity related warnings.



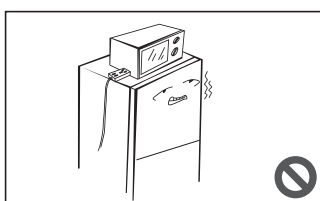
- Do not pull the power cord when pulling the power plug of the refrigerator. Please firmly grasp the plug and pull out it from the socket directly.
- To ensure safe use, do not damage the power cord or use the power cord when it is damaged or worn.



- Please use a dedicated power socket and the power socket shall not be shared with other electrical appliances. The power plug should be firmly contacted with the socket or else fires might be caused.
- Please ensure that the grounding electrode of the power socket is equipped with a reliable grounding line.

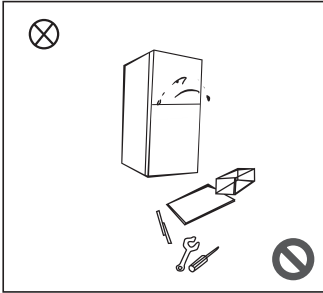


- Please turn off the valve of the leaking gas and then open the doors and windows in case of leakage of gas and other flammable gases. Do not unplug the refrigerator and other electrical appliances considering that spark may cause a fire.

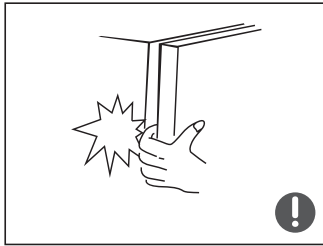


- Do not use electrical appliances on the top of the appliance, unless they are of the type recommended by the manufacturer.

1.4 Warnings for using



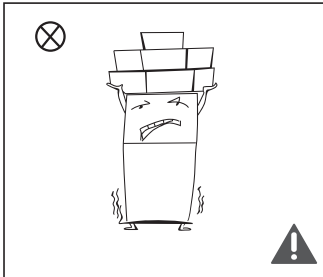
- Do not arbitrarily disassemble or reconstruct the refrigerator, nor damage the refrigerant circuit; maintenance of the appliance must be conducted by a specialist.
- Damaged power cord must be replaced by the manufacturer, its maintenance department or related professionals in order to avoid danger.



- The gaps between refrigerator doors and between doors and refrigerator body are small, be noted not to put your hand in these areas to prevent from squeezing the finger. Please be gentle when close the refrigerator door to avoid falling articles.
- Do not pick foods or containers with wet hands in the freezing chamber when the refrigerator is running, especially metal containers in order to avoid frostbite.

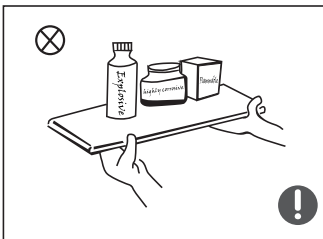


- Do not allow any child to get into or climb the refrigerator; otherwise suffocation or falling injury of the child may be caused.

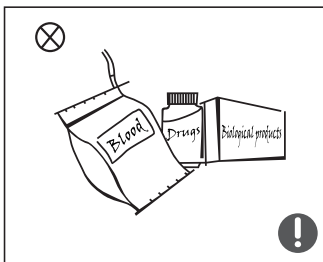


- Do not place heavy objects on the top of the refrigerator considering that objects may fall when close or open the door, and accidental injuries might be caused.
- Please pull out the plug in case of power failure or cleaning. Do not connect the refrigerator to power supply within five minutes to prevent damages to the compressor due to successive starts.

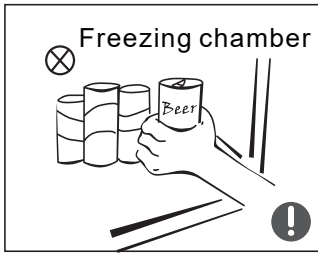
1.5 Warnings for placement



- Do not put flammable, explosive, volatile and highly corrosive items in the refrigerator to prevent damages to the product or fire accidents.
- Do not place flammable items near the refrigerator to avoid fires.



- The refrigerator is intended for household use, such as storage of foods; it shall not be used for other purposes, such as storage of blood, drugs or biological products, etc.



- Do not store beer, beverage or other fluid contained in bottles or enclosed containers in the freezing chamber of the refrigerator; or otherwise the bottles or enclosed containers may crack due to freezing to cause damages.

1.6 Warnings for energy

Warning for energy

- 1) Refrigerating appliances might not operate consistently (possibility of defrosting of contents or temperature becoming too warm in the frozen food compartment) when sited for an extended period of time below the cold end of the range of temperatures for which the refrigerating appliance is designed.
- 2) The fact that effervescent drinks should not be stored in food freezer compartments or cabinets or in low-temperature compartments or cabinets, and that some products such as water ices should not be consumed too cold;
- 3) The need to not exceed the storage time(s) recommended by the food manufacturers for any kind of food and particularly for commercially quick-frozen food in food-freezer and frozen-food storage compartments or cabinets;
- 4) The precautions necessary to prevent an undue rise in the temperature of the frozen food while defrosting the refrigerating appliance, such as wrapping the frozen food in several layers of newspaper.
- 5) The fact that a rise in temperature of the frozen food during manual defrosting, maintenance or cleaning could shorten the storage life.
- 6) The necessity that, for doors or lids fitted with locks and keys, the keys be kept out of the reach of children and not in the vicinity of the refrigerating appliance, in order to prevent children from being locked inside.

1.7 Warnings for disposal

Refrigerant and cyclopentane foaming material used for the refrigerator are flammable. Therefore, when the refrigerator is scrapped, it shall be kept away from any fire source and be recovered by a special recovering company with corresponding qualification other than be disposed by combustion, so as to prevent damage to the environment or any other harm.



When the refrigerator is scrapped, disassemble the doors, and remove gasket of door and shelves; put the doors and shelves in a proper place, so as to prevent trapping of any child.



Correct Disposal of this product:

This marking indicates that this product should not be disposed with other household wastes. To prevent possible harm to the environment or human health from uncontrolled waste disposal, recycle it responsibly to promote the sustainable reuse of material resources. To return your used device, please use the return and collection systems or contact the retailer where the product was purchased. They can take this product for environmental safe recycling.

2 Proper use of the refrigerator

2.1 Placement

- Before use, remove all packing materials, including bottom cushions, foam pads and tapes inside of the refrigerator; tear off the protective film on the doors and the refrigerator body.
- Keep away from heat and avoid direct sunlight. Do not place the freezer in moist or watery places to prevent rust or reduction of insulating effect.
- Do not spray or wash the refrigerator; do not put the refrigerator in moist places easy to be splashed with water so as not to affect the electrical insulation properties of the refrigerator.

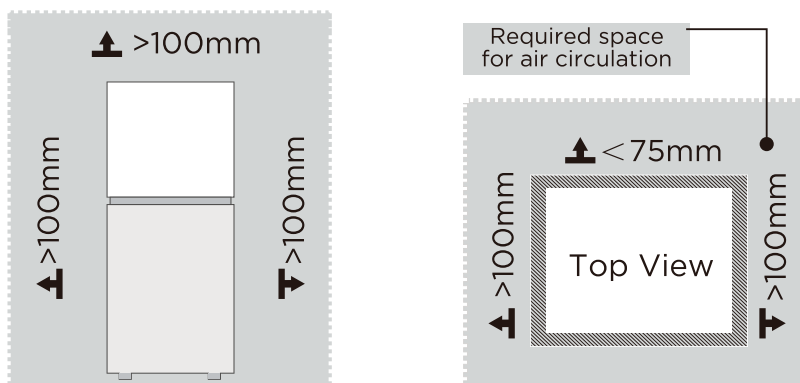
⚠ Precautions before installation:

Before installation or adjusting of accessories, it shall be ensured that the refrigerator is disconnected from power.

Precautions shall be taken to prevent fall of the handle from causing any personal injury.

Dimensions and Clearances

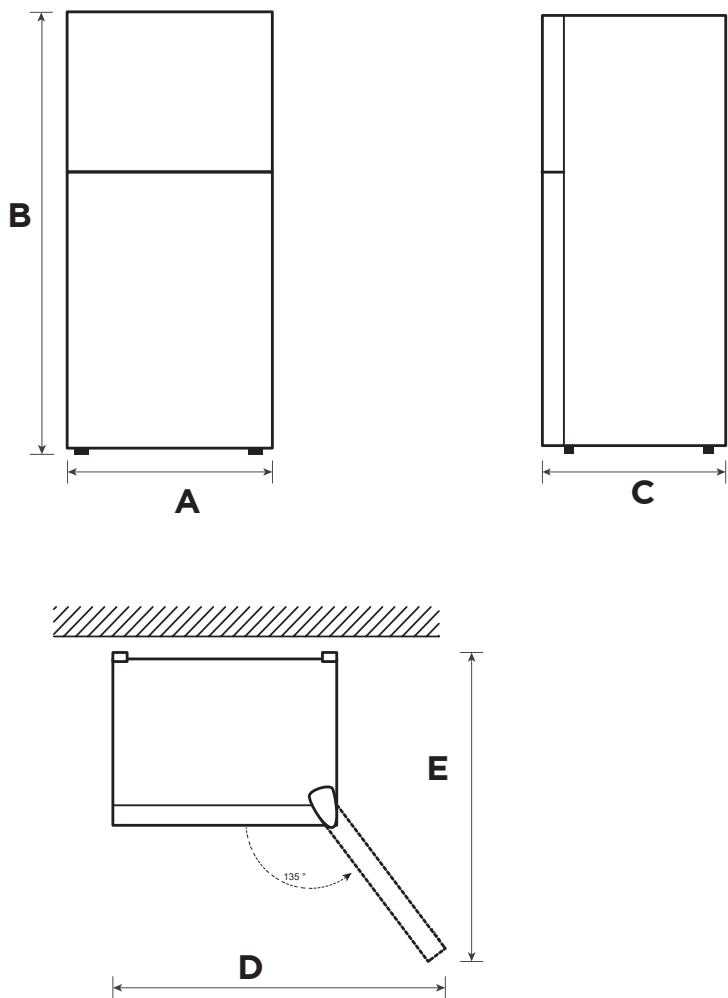
- Too small of a distance from adjacent items may result in the degradation of freezing capability and increased electricity costs. the refrigerator both sides should be placed against the wall with a free distance more than 100mm, and the refrigerator back against the wall distance not more than 75 mm.



⚠ ATTENTION

The picture above is only for reference. The actual configuration will depend on the physical product or statement by the distributor

Space requirement diagram (when the door is open and when the door is closed)

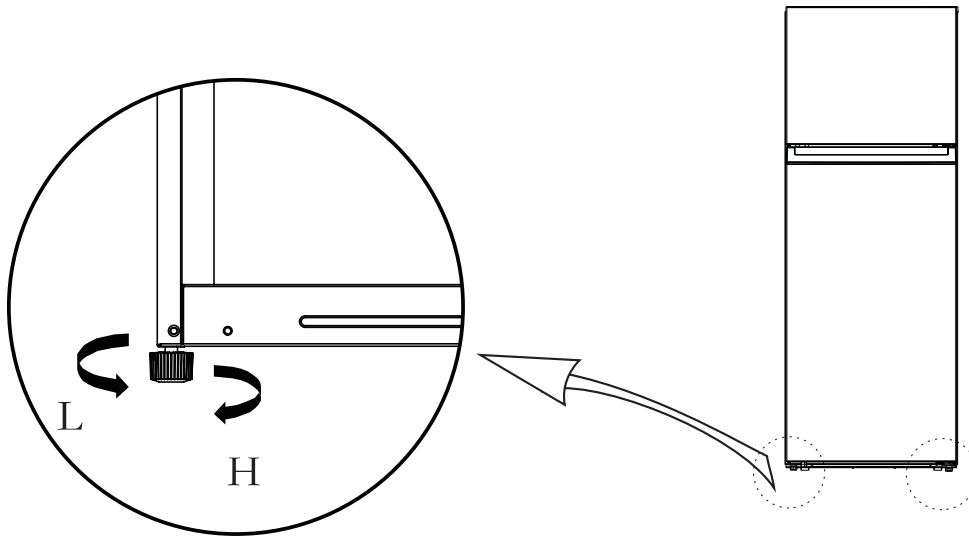


Width	Overall Height	Depth	Width doors open 135°	Depth doors open 135°
A	B	C	D	E
550	1430	550	1028	1065

Notice: All dimensions in mm

2 2 Levelling feet

Schematic diagram of the leveling feet



(The picture above is only for reference. The actual configuration will depend on the physical product or statement by the distributor)

Adjusting procedures:

- Turn the feet clockwise to raise the refrigerator;
- Turn the feet counterclockwise to lower the refrigerator;
- Adjust the right and left feet based on the procedures above to a horizontal level.

2 3 Door right-left change(Optional)

You will need:

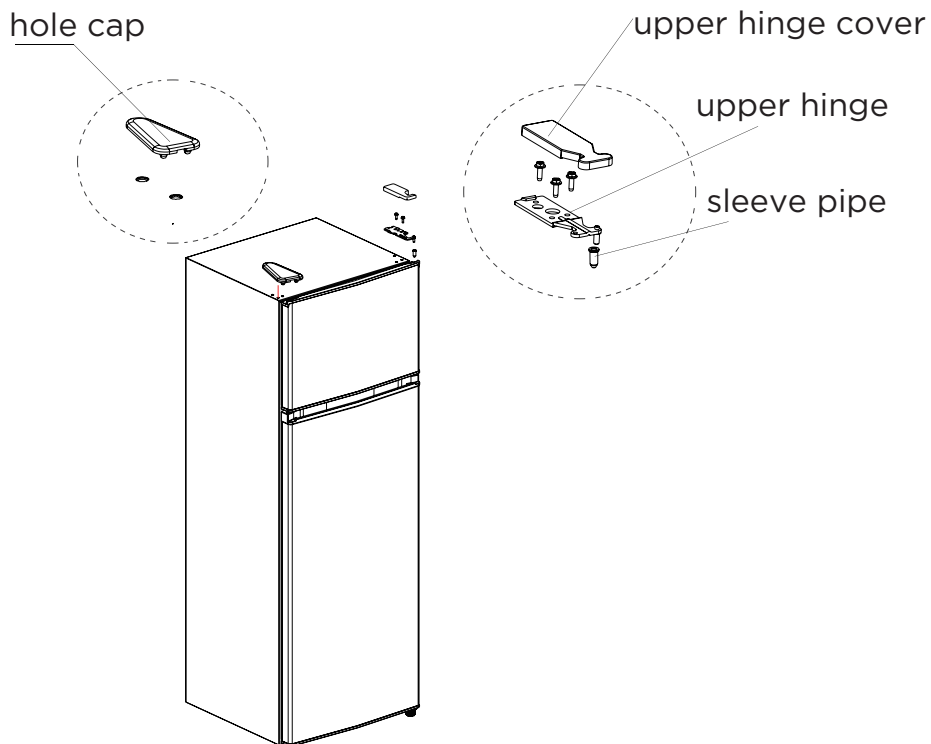
A standard screwdriver and a Phillips screwdriver.

- Make sure that your refrigerator is unplugged and empty.
- Keep all of the parts you remove to reuse them later.

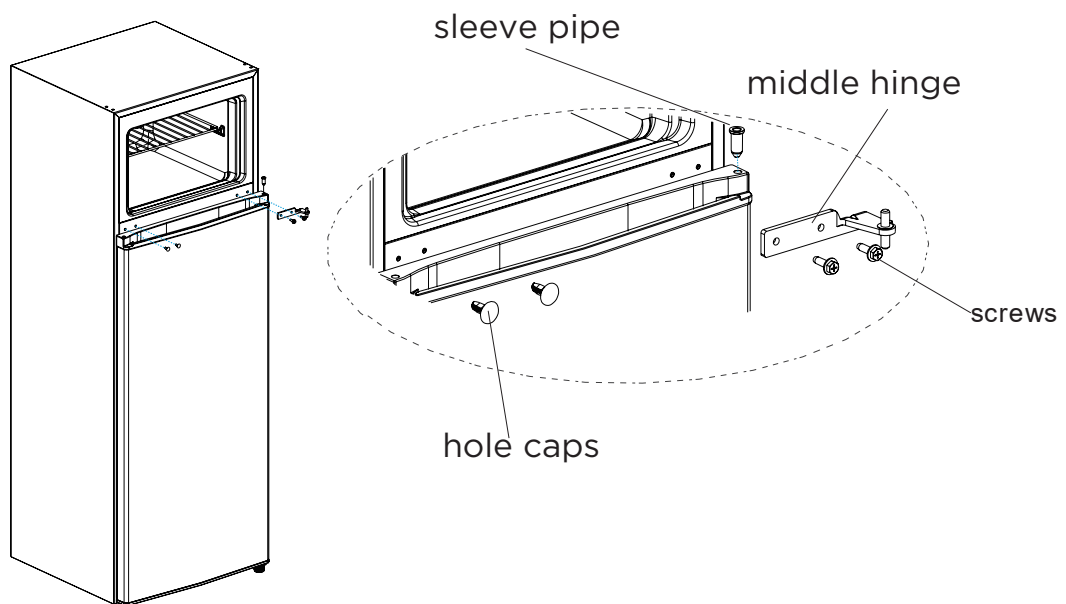
It is advised for two people to handle the unit during assembly.

1) Please power off this appliance before conduct this operation. Remove all food from door shelves.

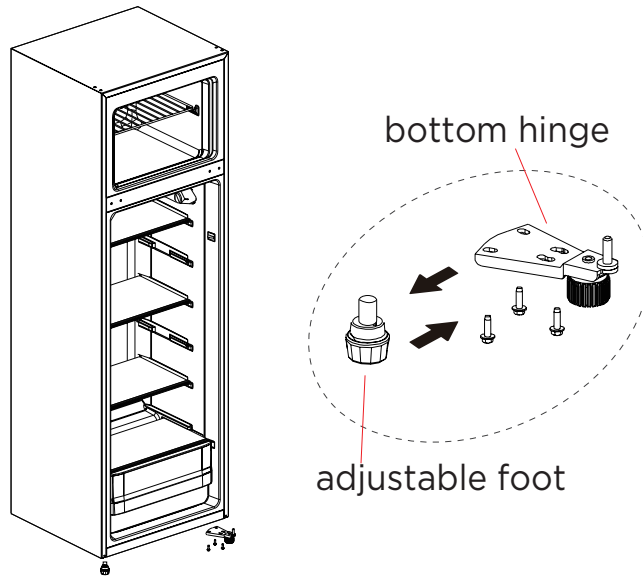
2) Take off top hinge cover, top hinge, the sleeve pipe of freezer door and hole cap on the other side.



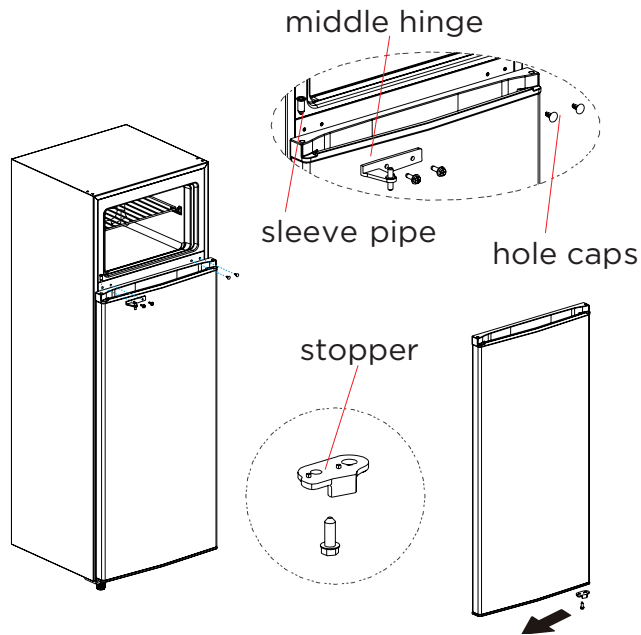
3) Take off freezer chamber door, middle hinge and the sleeve pipe of refrigerating door and hole caps on the other side.



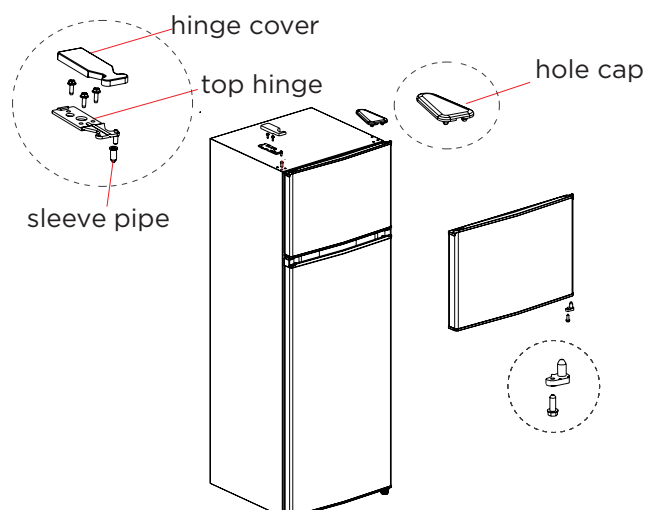
4) Remove the refrigerator door along with the bottom hinge and adjustable foot, then reassemble the hinge and foot on the opposite side.



5) Assemble the stopper on the opposite side of the refrigerator door, then place the door on the bottom hinge and install the middle hinge, hole caps, and sleeve pipe.



6) Assemble the stopper on the opposite side of the freezer door, then place the door on the middle hinge and install the top hinge, top hinge cover, sleeve pipe, and the hole cap on the other side.

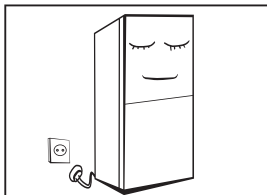


(The picture above is only for reference. The actual configuration will depend on the physical product or statement by the distributor)

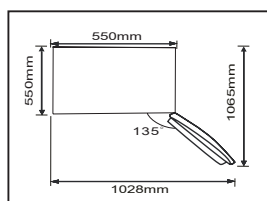
2.4 Changing the Light

Any replacement or maintenance of the LED lamps is intended to be made by the manufacturer, its service agent or similar qualified person.

2.5 Starting



- Before initial start, keep the refrigerator still for two hours before connecting it to power supply.
- Before putting any fresh or frozen foods, the refrigerator shall have run for 2-3 hours, or for above 4 hours in summer when the ambient temperature is high.
- Spare enough space for convenient opening of the doors and drawers or statement by the distributor.

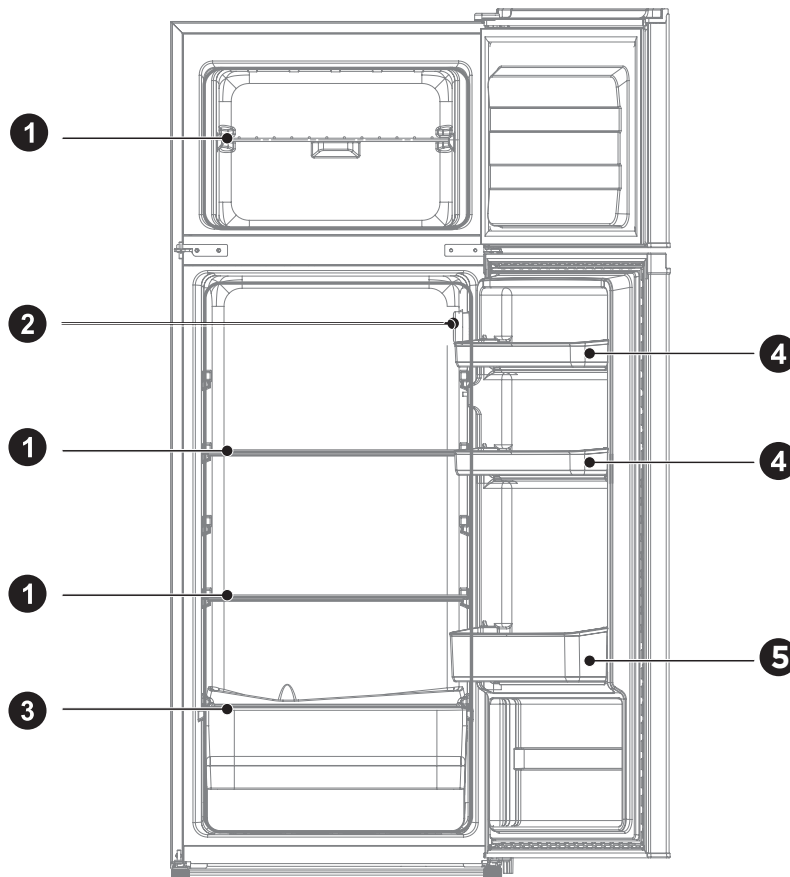


2.6 Energy saving tips

- The appliance should be located in the coolest area of the room, away from heat producing appliances or heating ducts, and out of the direct sunlight.
- Let hot foods cool to room temperature before placing in the appliance. Overloading the appliance forces the compressor to run longer. Foods that freeze too slowly may lose quality, or spoil.
- Be sure to wrap foods properly, and wipe containers dry before placing them in the appliance. This cuts down on frost build-up inside the appliance.
- Appliance storage bin should not be lined with aluminum foil, wax paper, or paper toweling. Liners interfere with cold air circulation, making the appliance less efficient.
- Organize and label food to reduce door openings and extended searches. Remove as many items as needed at one time, and close the door as 10as possible.

3 Structure and functions

3.1 Key components



- | | | | |
|----------|---------------------------|----------|-----------------|
| 1 | Shelf | 4 | Small door tray |
| 2 | Temperature control | 5 | Big door tray |
| 3 | Fruits and vegetables box | | |

(The picture above is only for reference. The actual configuration will depend on the physical product or statement by the distributor)

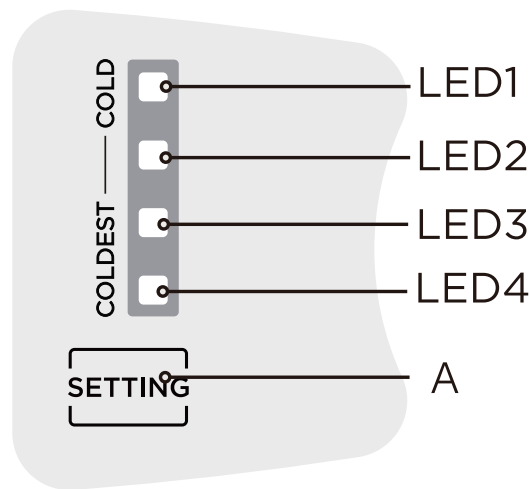
Refrigerating chamber

- The Refrigerating Chamber is suitable for storage of a variety of fruits, vegetables, beverages and other food consumed in the short term.
- Cooking foods shall not be put in the refrigerating chamber until cooled to room temperature.
- Foods are recommended to be sealed up before putting into the refrigerator.
- The glass shelves can be adjusted up or down for a reasonable amount of storage space and easy use.
- Do not put uncovered liquids in the refrigerator, as moisture increases ice build-up and requires more frequent defrosting.
- Foods or containers should not touch the back wall of the refrigerator, because they may freeze to the wall.

Freezing chamber

- The low temperature freezing chamber may keep food fresh for a long time and it is mainly used to store frozen foods and making ice.
- The freezing chamber is suitable for storage of meat, fish, rice balls and other foods not to be consumed in short term.
- Chunks of meat are preferably to be divided into small pieces for easy access. Please be noted food shall be consumed within the shelf time.
- Do not put fresh and frozen food next to each other, as the frozen food may thaw.
- Frozen food should be kept in suitable packages to retain quality and returned to the freezer compartment as soon as possible.
- If a package of frozen food shows moisture or abnormal bulging, it may have been stored at the wrong temperature and should not be consumed.

3.2 Functions



(The picture above is only for reference. The actual configuration will depend on the physical product or statement by the distributor)

1)Key

A. Temperature setting button of refrigerator compartment

2)Display screen

- ① LED 1 : COLD
- ② LED 2 : COLDER
- ③ LED 3 : COLDEST
- ④ LED 4 : SUPER
COOL

3)Display

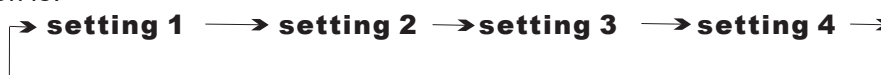
- When electrify the refrigerator for first time, all LED lights turn on for 2 seconds. The refrigerator then starts with the default setting (LED3 on).
- If no fault is detected, the display shows the actual temperature setting.
- If a fault occurs, the corresponding LED blinks. Fault codes are displayed for 30 minutes. To view the code again, disconnect and reconnect the power supply.

Fault Code	Fault Description
Indicator setting 1 and setting 3	Ambient temperature sensor
Indicator setting 1 and setting 2	Refrigerating defrost sensor fault

4)Temperature setting

Each time the temperature setting button A is pressed once, the temperature setting changes one time. After the temperature setting has been completed, the refrigerator will run according to the set value after 15s.

The shift regulation is:



5) Super freeze mode

Press and hold the temperature setting button for 6 seconds to activate Super Freeze mode. After 30 seconds, the mode will start and LED3 and LED4 will light up simultaneously.

Super Freeze mode will automatically exit after 40 hours of operation, or it can be turned off manually by pressing the setting button. The system will then return to the previous temperature setting.

For best performance, it is recommended to activate Super Freeze mode at least 12 hours before placing a large quantity of food in the freezer compartment.

6) Super cool mode

Press and hold the temperature setting button for 3 seconds to activate Super Cool mode. After 30 seconds, the mode will start and LED1 and LED2 will light up simultaneously.

Super Cool mode will automatically exit after 6 hours of operation, or it can be turned off manually by pressing the setting button. The system will then return to the previous temperature setting.

7) Lock/Unlock

When the temperature setting button is long pressed for 10 seconds, all LEDs on the control panel will turn off. After 30 seconds, the control panel will enter Standby mode. When the control panel is in Standby mode, pressing the temperature setting button once will turn on all LEDs and exit the mode.

When the refrigerator enters Standby mode, operation stops and the lamp turns off automatically.

4. Maintenance and care of the refrigerator

4.1 Overall cleaning

- Dusts behind the refrigerator and on the ground shall be timely cleaned to improve the cooling effect and energy saving.
- Check the door gasket regularly to make sure there are no debris. Clean the door gasket with a soft cloth dampened with soapy water or diluted detergent.
- The interior of the refrigerator should be cleaned regularly to avoid odor.
- Please turn off the power before cleaning interior, remove all foods, drinks, shelves, drawers, etc.
- Use a soft cloth or sponge to clean the inside of the refrigerator, with two tablespoons of baking soda and a quart of warm water. Then rinse with water and wipe clean. After cleaning, open the door and let it dry naturally before turning on the power.
- For areas that are difficult to clean in the refrigerator (such as narrow sandwiches, gaps or corners), it is recommended to wipe them regularly with a soft rag, soft brush, etc. and when necessary, combined with some auxiliary tools (such as thin sticks) to ensure no contaminants or bacterials accumulation in these areas.
- Do not use soap, detergent, scrub powder, spray cleaner, etc., as these may cause odors in the interior of the refrigerator or contaminated food.
- Clean the bottle frame, shelves and drawers with a soft cloth dampened with soapy water or diluted detergent. Dry with a soft cloth or dry naturally.
- Wipe the outer surface of the refrigerator with a soft cloth dampened with soapy water, detergent, etc., and then wipe dry.
- Do not use hard brushes, clean steel balls, wire brushes, abrasives (such as toothpastes), organic solvents (such as alcohol, acetone, banana oil, etc.), boiling water, acid or alkaline items, which may damage the fridge surface and interior. Boiling water and organic solvents such as benzene may deform or damage plastic parts.
- Do not rinse directly with water or other liquids during cleaning to avoid short circuits or affect electrical insulation after immersion.

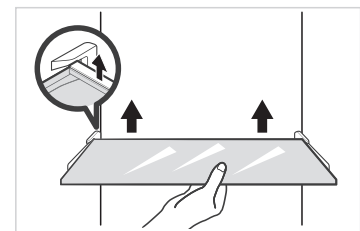


Please unplug the refrigerator for defrost and cleaning.



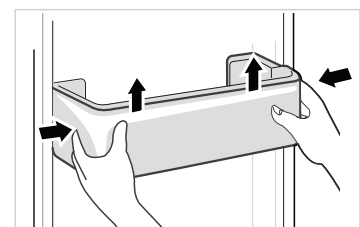
4.2 Cleaning the glass shelf

- Lift up the front of glass shelf, and then pull out;
- Remove the glass shelf and clean as needed;
- The reverse operation is for installation of glass shelf.



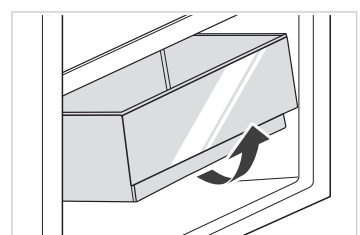
4.3 Cleaning the door tray

- Hold the tray with both hands and push upward to remove it.
- Wash the tray and adjust the installing height as required.
- The reverse operation is for installation of the tray.



4.4 Cleaning the fruits and vegetables box

- Remove the contents of the fruits and vegetables box
- Hold the handle and pull out the drawer completely until it stops
- Lift the drawer and pull out to remove
- The reverse operation is for installation of the drawer.




4.5 Defrosting

- Pull out the plug from the socket.
- Remove all stored food and place it properly to prevent food from melting.
- Keep the door open, clear the drain pipe (use soft materials to avoid damage to the liner), and place a basin underneath the appliance to collect the defrost water.
- When defrosting is completed, dry the interior thoroughly.
- Replace the plug in the power socket to run the appliance again.

4.6 Out of operation

- Power failure: In case of power failure, even if it is in summer, foods inside the appliance can be kept for several hours; during the power failure, the times of door opening shall be reduced, and no more fresh food shall be put into the appliance.
- Long-time nonuse: The appliance shall be unplugged and then cleaned; then the doors are left open to prevent odor.
- Moving: Before the refrigerator is moved, take all objects inside out, fix the glass partitions, vegetable holder, freezing chamber drawers and etc. with tape, and tighten the leveling feet; close the doors and fix them with tape. During moving, the appliance shall not be laid upside down or horizontally, or be vibrated; the inclination during movement shall be no more than 45°.

 The appliance shall run continuously once it is started. Generally, the operation of the appliance shall not be interrupted; otherwise the service life may be impaired.

CE Declaration of conformity

We declare that our products meet the applicable European Directives, Decisions and Regulations and the requirements listed in the standards referenced.

Disposal of your old appliance

The symbol on the product or on its packaging indicates that this product may not be treated as household waste. Instead it shall be handed over to the applicable collection point for the recycling of electrical and electronic equipment. By ensuring this product is disposed of correctly, you will help prevent potential negative consequences for the environment and human health, which could otherwise be caused by inappropriate waste handling of this product. For more detailed information about recycling of this product, please contact your local city office, your household waste disposal service or the shop where you purchased the product.



5 Trouble shooting

You may try to solve the following simple problems by yourself. If them cannot be solved, please contact the after-sales department.

Failed operation	<p>Check whether the appliance is connected to power or whether the plug is in well contact .</p> <p>Check whether the voltage is too low.</p> <p>Check whether there is a power failure or partial circuits have tripped.</p>
Odor	<p>Odorous foods shall be tightly wrapped.</p> <p>Check whether there is any rotten food.</p> <p>Clean the inside of the refrigerator.</p>
Long-time operation of the compressor	<p>Long operation of the refrigerator is normal in summer when the ambient temperature is high.</p> <p>It is not recommended having too much food in the appliance at the same time.</p> <p>Food shall get cool before being put into the appliance.</p> <p>The doors are opened too frequently.</p>
Light fails to get lit	<p>Check whether the refrigerator is connected to power supply and whether the illuminating light is damaged.</p>
Doors cannot be properly closed	<p>The door is stuck by food packages.</p> <p>The refrigerator is tilted.</p>
Loud noise	<p>Check whether the floor is level and whether the refrigerator is placed stably.</p> <p>Check whether accessories are placed at proper locations.</p>
Door seal fails to be tight	<p>Remove foreign matters on the door seal.</p> <p>Heat the door seal and then cool it for restoration (or blow it with an electrical drier or use a hot towel for heating).</p>
Water pan overflows	<p>There is too much food in the chamber or food stored contains too much water,resulting in heavy defrosting.</p> <p>The doors are not closed properly, resulting in frosting due to entry of air and increased water due to defrosting.</p>
Hot housing	<p>Heat dissipation of the built-in condenser via the housing, which is normal.</p> <p>When housing becomes hot due to high ambient temperature and storage of too much food,it is recommended to provide sound ventilation to facilitate heat dissipation.</p>
Surface condensation	<p>Condensation on the exterior surface and door seals of the refrigerator is normal when the ambient humidity is too high. Just wipe the condensate with a clean towel.</p>
Abnormal noise	<p>Buzz: The compressor may produce buzzes during operation, and the buzzes are loud particularly upon start or stop. This is normal.</p> <p>Creak: Refrigerant flowing inside of the appliance may produce creak, which is normal.</p>

Table 1 Climate classes

Class	Symbol	Ambient temperature range °C
Extended temperate	SN	+ 10 to + 32
Temperate	N	+ 16 to + 32
Subtropical	ST	+ 16 to + 38
Tropical	T	+ 16 to + 43

Extended temperate: 'this refrigerating appliance is intended to be used at ambient temperatures ranging from 10 °C to 32 °C';

temperate: 'this refrigerating appliance is intended to be used at ambient temperatures ranging from 16 °C to 32 °C';

Subtropical: 'this refrigerating appliance is intended to be used at ambient temperatures ranging from 16 °C to 38 °C';

Tropical: 'this refrigerating appliance is intended to be used at ambient temperatures ranging from 16 °C to 43 °C';

Special for new European standard:

The ordered parts in the following table can be acquired from channel _:

Ordered Part	Provided by	Minimum Time Required for Provision
thermostats	Professional maintenance personnel	At least 7 years after the last model is launched on the market
temperature sensors	Professional maintenance personnel	At least 7 years after the last model is launched on the market
printed circuit boards	Professional maintenance personnel	At least 7 years after the last model is launched on the market
light sources	Professional maintenance personnel	At least 7 years after the last model is launched on the market
door handles	Professional repairers and final users	At least 7 years after the last model is launched on the market
door hinges	Professional repairers and final users	At least 7 years after the last model is launched on the market
trays	Professional repairers and final users	At least 7 years after the last model is launched on the market
baskets	Professional repairers and final users	At least 7 years after the last model is launched on the market
door gaskets	Professional repairers and final users	At least 10 years after the last model is launched on the market

Dear customer

1. If you want to return or replace the product, please contact the store where you buy.
(Remember to bring the purchase invoice)

2. If your product breaks down which needs to repair, please contact after-sales service provider.

All the pictures in the manual are for explanatory purposes only. The actual shape of the unit you purchased may be slightly different, but the operations and functions are the same. The company may not be held responsible for any misprinted information. The design and the specifications of the product for reasons, such as product improvement, are subject to change without any prior notice.

Please consult with the manufacturer at +30 211 300 3300 or with the Sales agency for further details. Any future updates to the manual will be uploaded to the service website, and it is advised to always check for the latest version.



Scan here to download the latest version of this manual.
www.inventorairconditioner.com/media-library

ΠΕΡΙΕΧΟΜΕΝΑ

1 Προειδοποιήσεις για την ασφάλεια

1.1 Προειδοποίηση	24
1.2 Επεξήγηση συμβόλων ασφαλείας	26
1.3 Προειδοποιήσεις σχετικά με το ηλεκτρικό ρεύμα	26
1.4 Προειδοποιήσεις σχετικά με την χρήση	27
1.5 Προειδοποιήσεις σχετικά με την τοποθέτηση	27
1.6 Προειδοποιήσεις για την ενέργεια	28
1.7 Προειδοποιήσεις για την απόρριψη του προϊόντος	28

2 Οδηγίες χρήσης του ψυγείου

2.1 Τοποθέτηση	29
2.2 Ευθυγράμμιση της Μονάδας	31
2.3 Αλλαγή φοράς ανοίγματος πόρτας	31
2.4 Αλλαγή λαμπτήρα LED	34
2.5 Εκκίνηση	34
2.6 Συμβουλές εξοικονόμησης ενέργειας	34

3 Επισκόπηση της Μονάδας

3.1 Κύρια μέρη	35
3.2 Λειτουργίες	36

4 Συντήρηση και καθαρισμός της συσκευής

4.1 Γενικός καθαρισμός	38
4.2 Καθαρισμός γυάλινου ραφιού	38
4.3 Καθαρισμός ραφιού πόρτας.....	38
4.4 Καθαρισμός συρταριού φρούτων και λαχανικών.....	38
4.5 Απόψυξη	39
4.6 Αποσύνδεση από τη παροχή ρεύματος.....	39

5 Συχνές Ερωτήσεις

5.1 Αντιμετώπιση προβλημάτων	40
------------------------------------	----

1 Προειδοποιήσεις ασφαλείας

1.1 Προειδοποίηση



Προειδοποίηση: Κίνδυνος πυρκαγιάς/εύφλεκτα υλικά

ΣΥΣΤΑΣΕΙΣ:

Αυτή η συσκευή προορίζεται για χρήση σε οικιακές και παρόμοιες εφαρμογές, όπως κουζίνα προσωπικού σε καταστήματα, γραφεία και άλλα περιβάλλοντα- αγροικίες και πελάτες σε ξενοδοχεία, μοτέλ και άλλα περιβάλλοντα τύπου κατοικίας - περιβάλλοντα τύπου πανδοχείου (bed & breakfast), τροφοδοσία και παρόμοιες εφαρμογές μη λιανικής πώλησης.

Εάν το καλώδιο τροφοδοσίας είναι φθαρμένο, πρέπει να αντικατασταθεί από τον κατασκευαστή ή το εξουσιοδοτημένο κατάστημα τεχνικής υποστήριξης ή από άτομα με παρόμοια ειδίκευση, προκειμένου να αποφευχθούν τυχόν κίνδυνοι.

Μην αποθηκεύετε σε αυτή τη συσκευή εκρηκτικές ουσίες όπως αεροζόλ με εύφλεκτο προωθητικό αέριο.

Η συσκευή πρέπει να αποσυνδεθεί μετά τη χρήση και πριν από τη συντήρηση του χρήστη.

ΠΡΟΕΙΔΟΠΟΙΗΣΗ: Διατηρείτε ελεύθερες τις οπές εξαερισμού, στο περίβλημα της συσκευής ή στην ενσωματωμένη δομή της, απομακρύνοντας τυχόν εμπόδια.

ΠΡΟΕΙΔΟΠΟΙΗΣΗ: Μη χρησιμοποιείτε μηχανικές συσκευές ή άλλα μέσα για να επιταχύνετε τη διαδικασία απόψυξης, εκτός από εκείνες που συνιστώνται από τον κατασκευαστή.

ΠΡΟΕΙΔΟΠΟΙΗΣΗ: Μην προκαλείτε φθορές στο κύκλωμα ψυκτικού μέσου.

ΠΡΟΕΙΔΟΠΟΙΗΣΗ: Μην χρησιμοποιείτε ηλεκτρικές συσκευές μέσα στα διαμερίσματα αποθήκευσης τροφίμων της συσκευής, εκτός αν είναι του τύπου που συνιστάται από τον κατασκευαστή.

ΠΡΟΕΙΔΟΠΟΙΗΣΗ: Παρακαλείστε να απορρίψετε το ψυγείο σύμφωνα με τους τοπικούς κανονισμούς σχετικά με την διάθεση της συσκευής λόγω του εύφλεκτου αερίου εμφύσησης και του ψυκτικού μέσου.

ΠΡΟΕΙΔΟΠΟΙΗΣΗ: Κατά την τοποθέτηση της συσκευής, βεβαιωθείτε ότι το καλώδιο τροφοδοσίας δεν έχει παγιδευτεί ή έχει υποστεί φθορά.

ΠΡΟΕΙΔΟΠΟΙΗΣΗ: Μην τοποθετείτε πολλές φορητές πρίζες ή φορητές παροχές τροφοδοσίας στο πίσω μέρος της συσκευής.

Μην χρησιμοποιείτε καλώδια επέκτασης ή μη γειωμένους αντάπτορες (δύο ακίδων).

ΚΙΝΔΥΝΟΣ: Κίνδυνος παγίδευσης παιδιών. Πριν πετάξετε το παλιό ψυγείο ή τον καταψύκτη σας:

- Αφαιρέστε τις πόρτες.

- Αφήστε τα ράφια στη θέση τους, ώστε τα παιδιά να μην μπορούν να ανέβουν εύκολα μέσα.

Το ψυγείο πρέπει να αποσυνδεθεί από την πηγή ηλεκτρικής τροφοδοσίας πριν από την εγκατάσταση εξαρτήματος.

Το ψυκτικό μέσο και το υλικό αφρισμού κυκλοπεντανίου που χρησιμοποιείται για το ψυγείο είναι εύφλεκτα. Επομένως, όταν το ψυγείο διαλυθεί, πρέπει να απομακρυνθεί από οποιαδήποτε πηγή φωτιάς και να ανακυκλωθεί από μια ειδική εταιρεία ανάκτησης με αντίστοιχη πιστοποίηση διαφορετική από την απόρριψη με καύση, ώστε να αποφευχθεί η πρόκληση βλάβης στο περιβάλλον ή οποιαδήποτε άλλη βλάβη.

Προειδοποίηση για παιδιά:

Αυτή η συσκευή δεν προορίζεται για χρήση από άτομα (συμπεριλαμβανομένων των παιδιών) με μειωμένες σωματικές, αισθητηριακές ή πνευματικές ικανότητες, ή έλλειψη εμπειρίας και γνώσεων, εκτός αν έχουν λάβει επίβλεψη ή οδηγίες σχετικά με τη χρήση της συσκευής από άτομο υπεύθυνο για την ασφάλειά τους.

- Τα παιδιά πρέπει να επιβλέπονται ώστε να διασφαλίζεται ότι δεν παίζουν με τη συσκευή.
- Τα παιδιά ηλικίας από 3 έως 8 ετών επιτρέπεται να φορτώνουν και να ξεφορτώνουν ψυκτικές συσκευές.

Συμβουλές για καθημερινή χρήση:

Για να αποφύγετε τη μόλυνση των τροφίμων, παρακαλούμε να τηρείτε τις παρακάτω οδηγίες:

– Το άνοιγμα της πόρτας για μεγάλα χρονικά διαστήματα μπορεί να προκαλέσει σημαντική αύξηση της θερμοκρασίας στους θαλάμους της συσκευής.

– Καθαρίζετε τακτικά τις επιφάνειες που μπορεί να έρθουν σε επαφή με τρόφιμα καθώς και τα προσβάσιμα συστήματα αποστράγγισης.

– Καθαρίζετε τις δεξαμενές νερού αν δεν έχουν χρησιμοποιηθεί για 48 ώρες· ξεπλένετε το σύστημα ύδρευσης που είναι συνδεδεμένο με παροχή νερού, αν δεν έχει αντληθεί νερό για 5 ημέρες (σημείωση 1).

– Αποθηκεύετε το ωμό κρέας και ψάρι σε κατάλληλα δοχεία στο ψυγείο, ώστε να μην έρχονται σε επαφή ή να στάζουν σε άλλα τρόφιμα.

– Οι θάλαμοι κατάψυξης δύο αστέρων είναι κατάλληλοι για αποθήκευση προ-κατεψυγμένων τροφίμων, για αποθήκευση ή παρασκευή παγωτού και για την παρασκευή παγοκύβων (σημείωση 2).

– Οι θάλαμοι ενός, δύο και τριών αστέρων δεν είναι κατάλληλοι για την κατάψυξη φρέσκων τροφίμων (σημείωση 3).

– Αν η ψυκτική συσκευή μείνει άδεια για μεγάλα χρονικά διαστήματα, απενεργοποιήστε την, αποψύξτε, καθαρίστε, στεγνώστε και αφήστε την πόρτα ανοιχτή για να αποφύγετε την ανάπτυξη μούχλας στο εσωτερικό της.




- Για συσκευές χωρίς θάλαμο 4 αστέρων: Η ψυκτική συσκευή δεν είναι κατάλληλη για την κατάψυξη νωπών τροφίμων (σημείωση 4)

Σημειώσεις 1, 2, 3, 4: Παρακαλείστε να επιβεβαιώσετε τις παραπάνω σημειώσεις ανάλογα με το μοντέλο που έχετε στην κατοχή σας

Για συσκευή ελεύθερης τοποθέτησης: Αυτή η συσκευή δε μπορεί να εντοιχιστεί

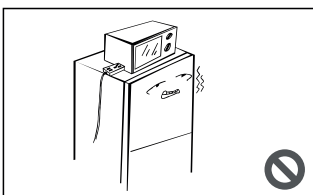
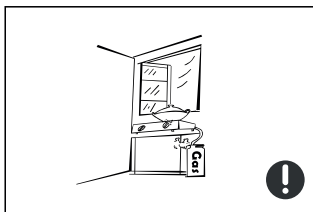
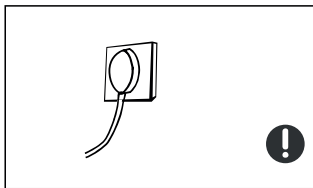
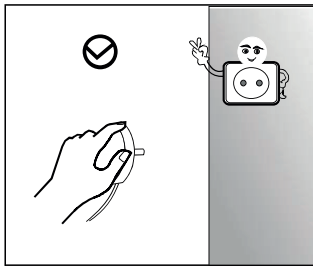
Κάθε εργασία συντήρησης ή αντικατάστασης των λυχνίων LED πρέπει να γίνεται από τον κατασκευαστή ή τον διανομέα ή άλλο εξουσιοδοτημένο τεχνικό.

1.2 Σημασία των συμβόλων προειδοποίησης ασφαλείας

	Αυτό είναι ένα σύμβολο απαγόρευσης. Η μη συμμόρφωση με τις οδηγίες που φέρουν αυτό το σύμβολο μπορεί να προκαλέσει ζημιές στο προϊόν ή να θέσει σε κίνδυνο την προσωπική ασφάλεια των χρηστών.
	Αυτό είναι ένα σύμβολο προειδοποίησης. Απαιτείται η αυστηρή τήρηση των οδηγιών που επισημαίνονται με αυτό το σύμβολο, διαφορετικά, μπορεί να προκληθεί ζημιά στο προϊόν ή τραυματισμός.
	Αυτό είναι ένα σύμβολο προσοχής. Οι οδηγίες που σημειώνονται με αυτό το σύμβολο απαιτούν ιδιαίτερη προσοχή. Τυχόν ανεπαρκής προσοχή μπορεί να οδηγήσει σε ελαφρύ ή μέτριο τραυματισμό ή σε ζημιά στο προϊόν.

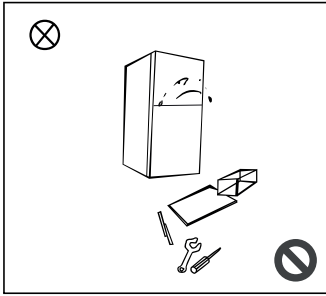
Το εγχειρίδιο αυτό περιέχει πολλές σημαντικές πληροφορίες ασφαλείας που πρέπει να τηρούνται από τους χρήστες.

1.3 Προειδοποιήσεις για το ηλεκτρικό ρεύμα

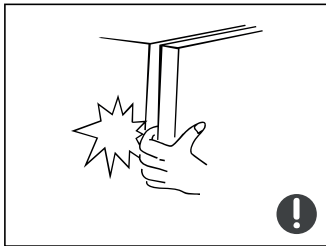


- Για να αποσυνδέσετε το ψυγείο από το ρεύμα, μην τραβάτε το καλώδιο ρεύματος. Πιάστε καλά το φισ και βγάλτε το από την πρίζα απευθείας.
- Για να εξασφαλιστεί η ασφαλής χρήση της συσκευής, μην προκαλείτε ζημιές στο καλώδιο ρεύματος και μη χρησιμοποιείτε καλώδιο που είναι κατεστραμμένο ή φθαρμένο.
- Χρησιμοποιήστε πρίζα αποκλειστικής χρήσης, η οποία δεν χρησιμοποιείται από κοινού με άλλες ηλεκτρικές συσκευές. Το καλώδιο ρεύματος πρέπει να είναι σταθερά συνδεδεμένο στην πρίζα, διαφορετικά μπορεί να προκληθεί πυρκαγιά.
- Βεβαιωθείτε ότι το ηλεκτρόδιο γείωσης της πρίζας είναι συνδεδεμένο σε μια αξιόπιστη γείωση.
- Σε περίπτωση διαρροής του αερίου ή άλλων εύφλεκτων αερίων, κλείστε τη βαλβίδα διαρροής αερίου και, στη συνέχεια, ανοίξτε τις πόρτες και τα παράθυρα. Μην αποσυνδέσετε το ψυγείο και άλλες ηλεκτρικές συσκευές, καθώς ένας σπινθήρας μπορεί να προκαλέσει πυρκαγιά.
- Μη χρησιμοποιείτε άλλες ηλεκτρικές συσκευές επάνω στη συσκευή, εκτός αν είναι του τύπου που συνιστάται από τον κατασκευαστή.

1.4 Προειδοποιήσεις για τη χρήση



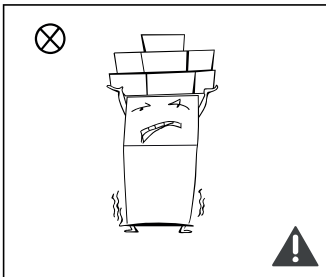
- Ποτέ μην αποσυναρμολογείτε ή ανακατασκευάζετε το ψυγείο αυθαίρετα και μην προκαλείτε ζημιά στο κύκλωμα ψυκτικού. Η συντήρηση της συσκευής πρέπει να εκτελείται από ειδικευμένο τεχνικό
- Ένα κατεστραμμένο καλώδιο ρεύματος πρέπει να αντικαθίσταται από τον κατασκευαστή, το τμήμα συντήρησης ή ανάλογους επαγγελματίες, προκειμένου να αποφεύγονται οι κίνδυνοι.



- Τα κενά ανάμεσα στις πόρτες του ψυγείου και ανάμεσα στις πόρτες και το σώμα του ψυγείου είναι μικρά. Μη βάζετε τα χέρια σας σε αυτά τα σημεία για να μην πιαστούν τα δάχτυλά σας. Κλείνετε απαλά την πόρτα του ψυγείου για να μην πέσουν τα αντικείμενα που βρίσκονται μέσα.
- Μην πιάνετε τα τρόφιμα ή τα δοχεία στο θάλαμο κατάψυξης με βρεγμένα χέρια όταν το ψυγείο λειτουργεί, ιδιαίτερα τα μεταλλικά δοχεία, προκειμένου να αποφύγετε τα κρουπαγήματα.

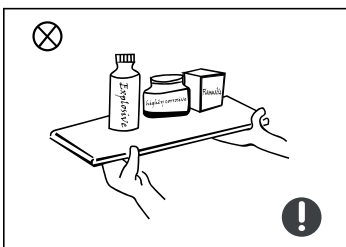


- Μην αφήνετε τα παιδιά να εισέλθουν ή να ανέβουν πάνω στο ψυγείο για να αποφύγετε ενδεχόμενη ασφυξία τους μέσα στο ψυγείο ή τον τραυματισμό τους από πτώση.

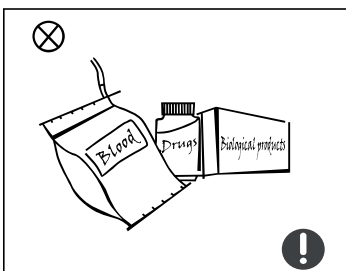


- Μην τοποθετείτε βαριά αντικείμενα πάνω στο ψυγείο καθώς μπορεί να πέσουν όταν ανοιγοκλείνετε την πόρτα και να προκαλέσουν τυχαίους τραυματισμούς.
- Αποσυνδέστε το φισ από την πρίζα σε περίπτωση διακοπής ρεύματος ή καθαρισμού. Μη συνδέσετε τον ψυγειοκαταψύκτη στο ρεύμα αν δεν περάσουν πέντε λεπτά από την αποσύνδεση ή τη διακοπή ρεύματος για να αποφύγετε ζημιές στον αεροσυμπιεστή λόγω των διαδοχικών εκκινήσεων.

1.5 Προειδοποιήσεις για την τοποθέτηση



- Μην τοποθετείτε εύφλεκτα, εκρηκτικά, πτητικά και πολύ διαβρωτικά στοιχεία στο ψυγείο για να αποφύγετε ζημιές στο προϊόν ή ατυχήματα πυρκαγιάς.
- Μην τοποθετείτε εύφλεκτα αντικείμενα κοντά στο ψυγείο για να αποφύγετε πυρκαγιάς.



- Το ψυγείο προορίζεται για οικιακή χρήση, όπως η αποθήκευση τροφίμων και δεν επιτρέπεται να χρησιμοποιείται για άλλους σκοπούς, όπως η αποθήκευση αίματος, φαρμάκων ή βιολογικών προϊόντων κ.λπ.



- Μην αποθηκεύετε μπίρες, ποτά ή άλλα υγρά που περιέχονται σε φιάλες ή κλειστά δοχεία στο θάλαμο κατάψυξης του ψυγείου, διαφορετικά, οι φιάλες ή τα κλειστά δοχεία μπορεί να σπάσουν λόγω της ψύξης και να προκαλέσουν ζημιές.

1.6 Προειδοποιήσεις για την ενέργεια

- 1) Οι ψυκτικές συσκευές ενδέχεται να μην λειτουργούν σωστά (πιθανότητα λόγω απόψυξης των περιεχομένων ή της αύξησης της θερμοκρασίας στο θάλαμο της κατάψυξης), όταν βρίσκονται για μεγάλο χρονικό διάστημα κάτω από το όριο ψύχους του εύρους θερμοκρασιών για τις οποίες έχει σχεδιαστεί η ψυκτική συσκευή.
- 2) Τα ανθρακούχα ποτά δεν πρέπει να αποθηκεύονται σε θαλάμους ή συρτάρια κατάψυξης τροφίμων ή σε θαλάμους ή συρτάρια χαμηλής θερμοκρασίας και ορισμένα προϊόντα, όπως τα παγάκια δεν πρέπει να καταναλώνονται πολύ παγωμένα.
- 3) Οι κατασκευαστές τροφίμων συνιστούν να μην γίνεται υπέρβαση του χρόνου αποθήκευσης και ιδιαίτερα για τρόφιμα βαθείας κατάψυξης του εμπορίου που αποθηκεύονται στους θαλάμους ή τα συρτάρια της κατάψυξης.
- 4) Παίρνετε τις απαραίτητες προφυλάξεις για να αποφεύγεται η υπερβολική αύξηση της θερμοκρασίας των κατεψυγμένων τροφίμων κατά την απόψυξη της συσκευής, όπως το τύλιγμα των κατεψυγμένων τροφίμων σε πολλά φύλλα εφημερίδας.
- 5) Το γεγονός ότι η αύξηση της θερμοκρασίας των κατεψυγμένων τροφίμων κατά τη χειροκίνητη απόψυξη, συντήρηση και καθαρισμό θα μπορούσε να συντομεύσει τη διάρκεια αποθήκευσης.
- 6) Αν υπάρχουν πόρτες ή καπάκια που διαθέτουν κλειδαριά και κλειδιά, τα κλειδιά πρέπει να φυλάσσονται μακριά από τα παιδιά και όχι κοντά στο ψυγείο, για να αποτραπεί τυχόν παγίδευση των παιδιών μέσα στο ψυγείο.

1.7 Προειδοποιήσεις για την απόρριψη

Το ψυκτικό και το αφρώδες υλικό από κυκλοπεντάνιο που χρησιμοποιούνται στο ψυγείο είναι εύφλεκτα υλικά. Επομένως, όταν το ψυγείο απορρίπτεται για ανακύκλωση θα πρέπει να απομονώνεται από πηγές φωτιάς και να ανακυκλώνεται από ειδική εταιρεία ανακύκλωσης αντί να καίγεται, έτσι ώστε να μην προκληθεί ζημιά στο περιβάλλον ή οποιαδήποτε άλλη βλάβη.

Όταν το ψυγείο απορρίπτεται για ανακύκλωση, αποσυνδέστε τις πόρτες και αφαιρέστε τα λάστιχα της πόρτας και των συρταριών. Τοποθετήστε τις πόρτες και τα συρτάρια στην κατάλληλη θέση, ώστε να αποφευχθεί η παγίδευση κάποιου παιδιού.



Σωστή απόρριψη του προϊόντος

Το διπλανό σήμα υποδηλώνει ότι το συγκεκριμένο προϊόν δεν θα πρέπει να απορρίπτεται μαζί με τα οικιακά απορρίμματα. Για την αποφυγή πιθανής περιβαλλοντικής βλάβης, η ανακύκλωση θα πρέπει να χρησιμοποιείτε για την επαναχρησιμοποίηση των πρώτων υλών. Χρησιμοποιήστε το τοπικό σύστημα ανακύκλωσης ηλεκτρικών ειδών ή επικοινωνήστε με το κατάστημα από το οποίο αγοράσατε την συσκευή.

2 Οδηγίες χρήσης του ψυγείου

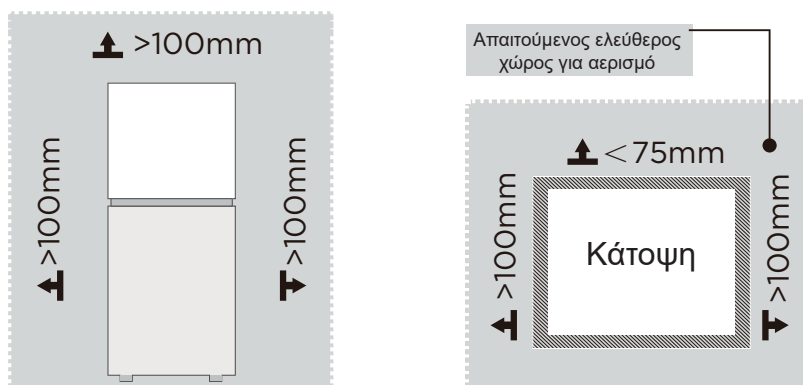
2.1 Τοποθέτηση

- Πριν από τη χρήση της συσκευής, αφαιρέστε όλα τα υλικά συσκευασίας και τα κάτω μαξιλαράκια, αφρολέξ και ταινίες μέσα από το ψυγείο, και σχίστε την προστατευτική μεμβράνη στην πόρτα και στο σώμα του ψυγείου.
- Διατηρείτε το ψυγείο μακριά από τη θερμότητα και αποφεύγετε το άμεσο ηλιακό φως. Μην τοποθετείτε το ψυγείο σε μέρη με υγρασία ή νερό για να αποφύγετε τη σκουριά ή την υποβάθμιση της μόνωσης.
- Μην ψεκάζετε και μην πλένετε το ψυγείο και μην το τοποθετείτε σε υγρά μέρη όπου είναι εύκολο να εκτοξευθεί νερό πάνω του, ώστε να μην επηρεαστεί η ηλεκτρική μόνωση του ψυγείου.

Αν το ψυγείο τοποθετηθεί πολύ κοντά σε άλλα αντικείμενα, μπορεί να μειωθεί η απόδοση ψύξης και να αυξηθεί η κατανάλωση ηλεκτρικής ενέργειας.

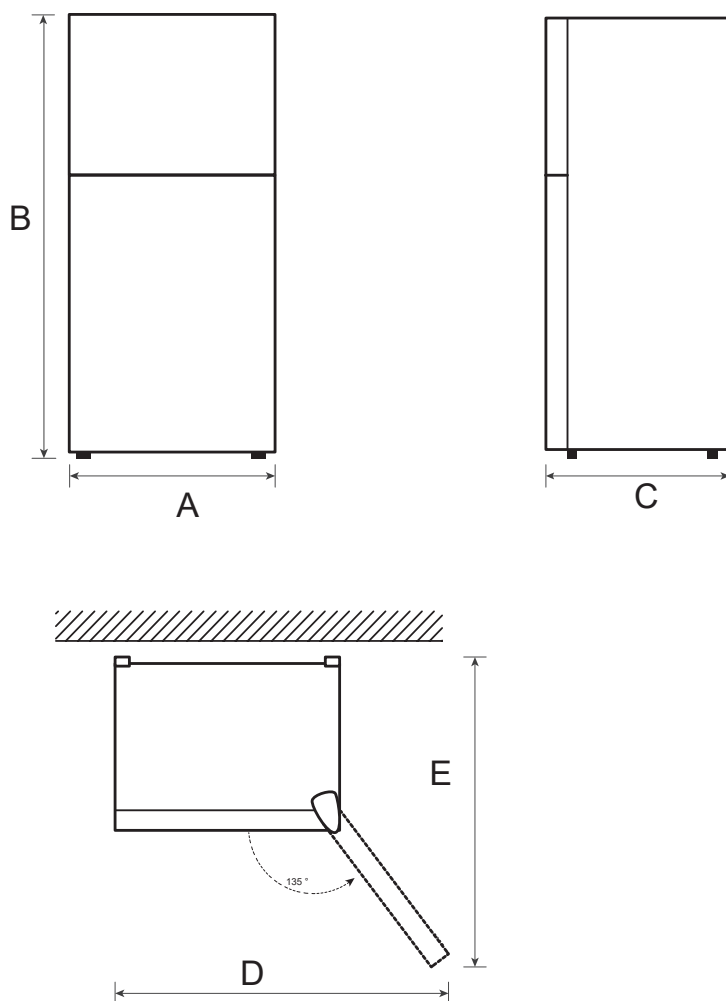
Τα πλαϊνά τοιχώματα του ψυγείου θα πρέπει να απέχουν τουλάχιστον 100 mm από τον τοίχο.

Η πίσω πλευρά του ψυγείου θα πρέπει να απέχει έως 75 mm από τον τοίχο.



Η παραπάνω εικόνα είναι μόνο για αναφορά. Η πραγματική διαμόρφωση θα εξαρτηθεί από το φυσικό προϊόν ή τη δήλωση του διανομέα.

Διάγραμμα απαιτούμενου χώρου (με την πόρτα ανοιχτή και με την πόρτα κλειστή)

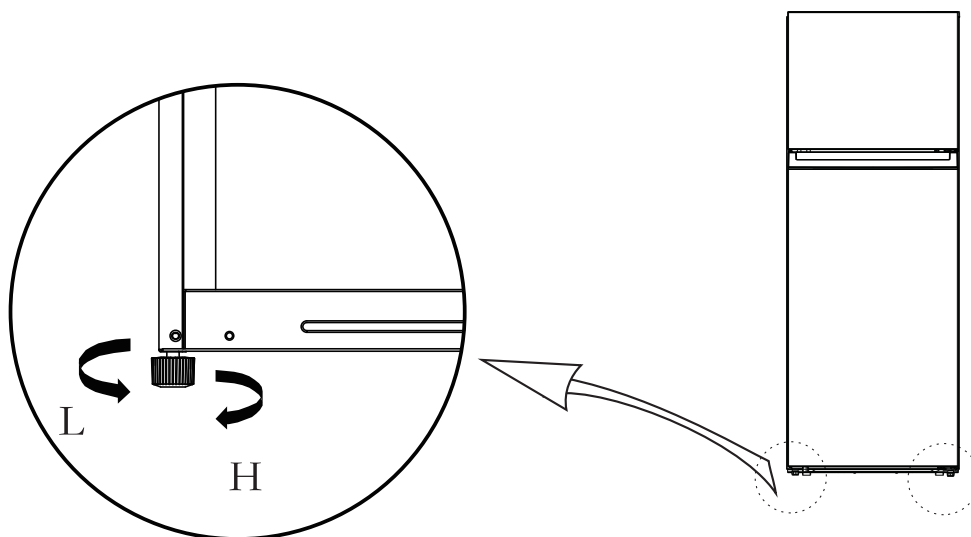


Πλάτος	Συνολικό Ύψος	Βάθος	Πλάτος με πόρτες ανοιχτές 135°	Βάθος με πόρτες ανοιχτές 135°
A	B	C	D	E
550	1430	550	1028	1065

Σημείωση: Όλες οι διαστάσεις δίνονται σε χιλιοστά (mm).

2.2 Ευθυγράμμιση της Μονάδας

Διάγραμμα ευθυγράμμισης της μονάδας



(Η παραπάνω εικόνα είναι μόνο για αναφορά. Η πραγματική διαμόρφωση θα εξαρτηθεί από το φυσικό προϊόν ή την δήλωση του διανομέα)

Διαδικασίες ρύθμισης:

- α. Γυρίστε τα πόδια δεξιόστροφα για να ανυψώσετε το ψυγείο.
- β. Γυρίστε τα πόδια αριστερόστροφα για να χαμηλώσετε το ψυγείο.
- γ. Ρυθμίστε το δεξί και το αριστερό πόδι με βάση τις παραπάνω διαδικασίες σε οριζόντιο επίπεδο.

2.3 Εναλλαγή φοράς ανοίγματος πόρτας (προαιρετικά)

Απαραίτητα εργαλεία

- Ένα κατσαβίδι με ίσια μύτη
- Ένα σταυροκατσάβιδο (Phillips)

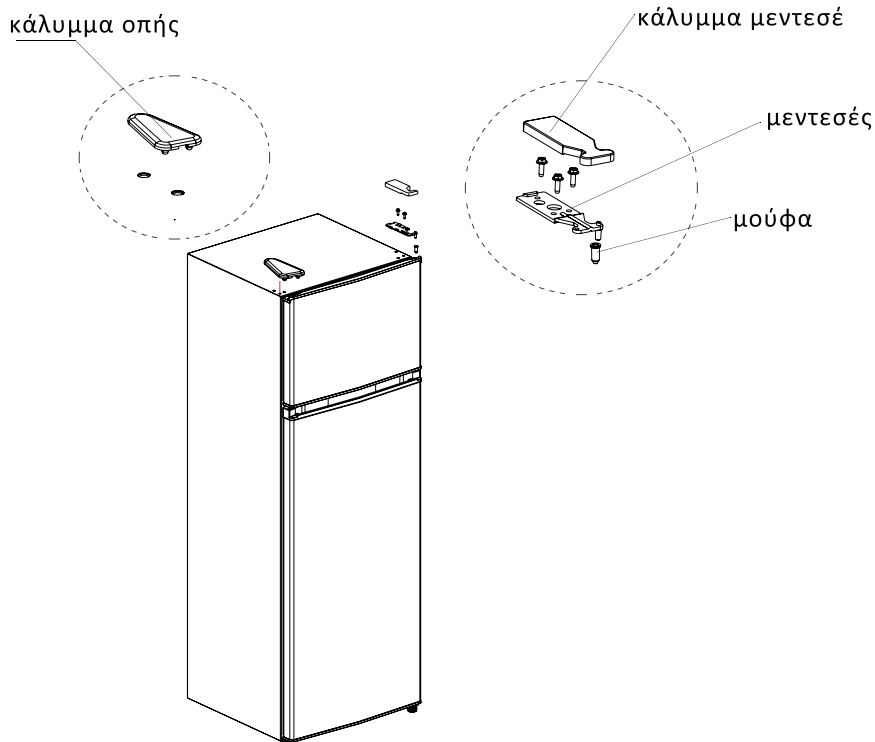
Σημαντικές προετοιμασίες

- Βεβαιωθείτε ότι το ψυγείο είναι αποσυνδεδεμένο από την πρίζα και εντελώς άδειο πριν ξεκινήσετε.
- Κρατήστε όλα τα εξαρτήματα που θα αφαιρέσετε, ώστε να τα χρησιμοποιήσετε ξανά κατά την επανατοποθέτηση.

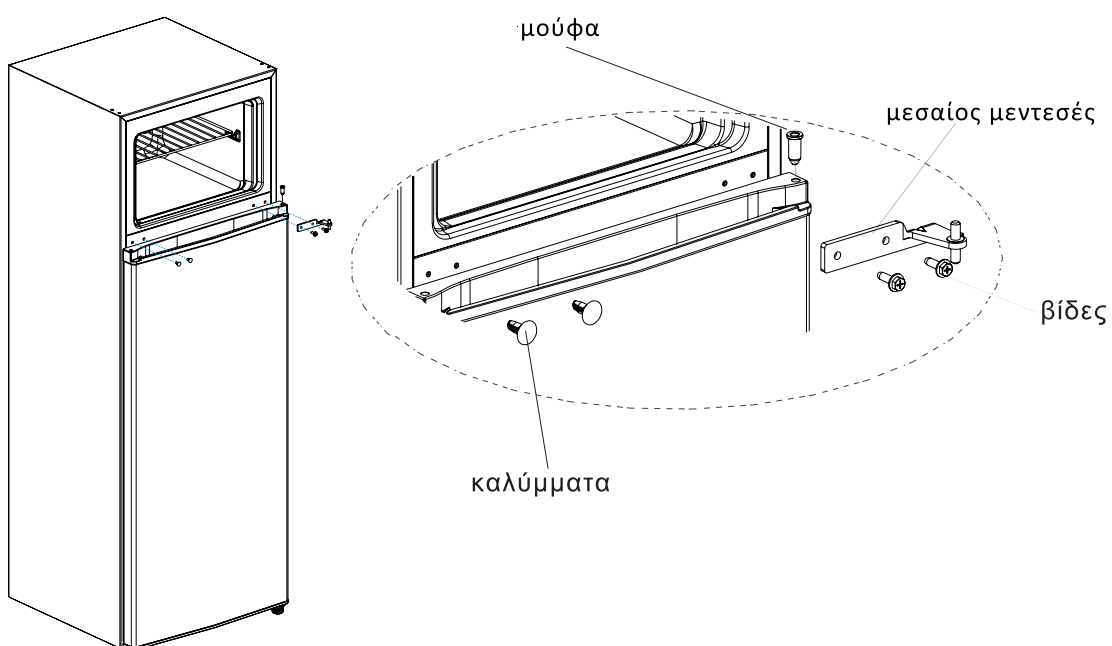
Ο χειρισμός της συσκευής κατά τη συναρμολόγηση είναι προτιμότερο να γίνεται από 2 άτομα.

1) Απενεργοποιήστε τη συσκευή πριν εκτελέσετε αυτήν τη εργασία. Αφαιρέστε όλα τα τρόφιμα από τα ράφια στις πόρτες.

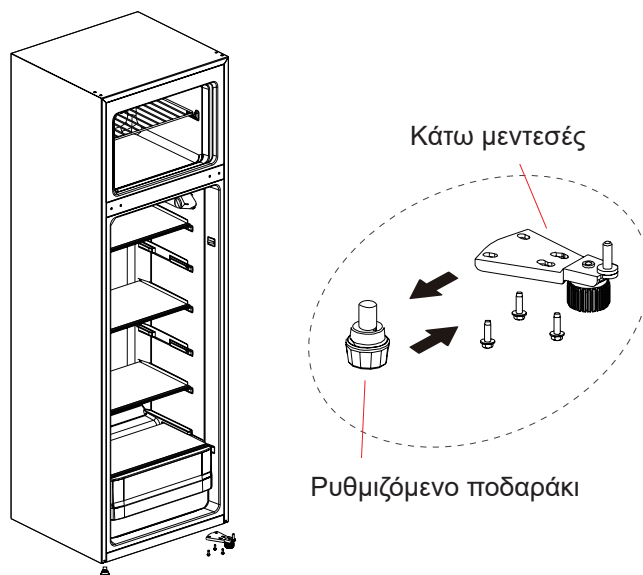
2) Αφαιρέστε το κάλυμμα του επάνω μεντεσέ, τον επάνω μεντεσέ, τον σωλήνα ολίσθησης της πόρτας της κατάψυξης και το πώμα οπής από την άλλη πλευρά.



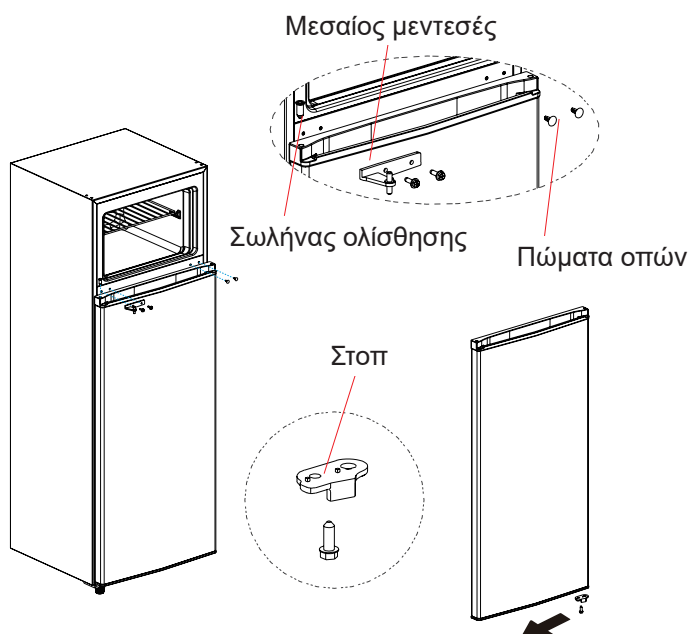
3) Αφαιρέστε την πόρτα του θαλάμου κατάψυξης, τον μεσαίο μεντεσέ, τον σωλήνα ολίσθησης της πόρτας συντήρησης και τα πώματα οπών από την άλλη πλευρά.



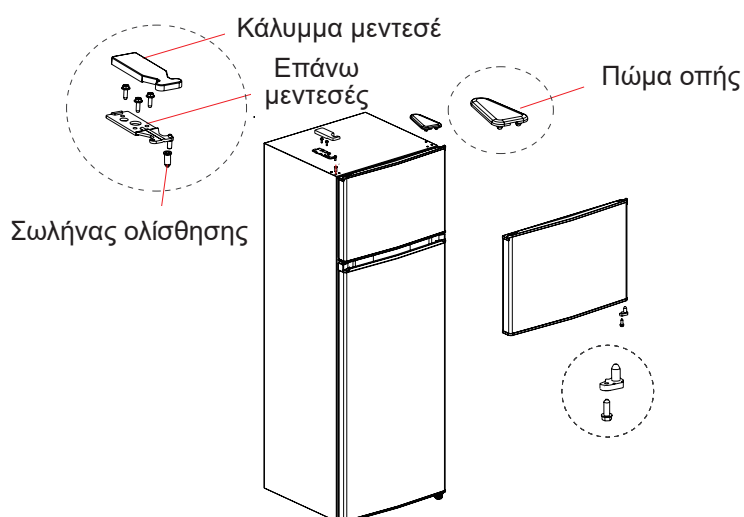
4) Αφαιρέστε την πόρτα του ψυγείου μαζί με τον κάτω μεντεσέ και το ρυθμιζόμενο ποδαράκι, στη συνέχεια επανατοποθετήστε τον μεντεσέ και το ποδαράκι στην αντίθετη πλευρά.



5) Συναρμολογήστε το στοπ στην αντίθετη πλευρά της πόρτας του ψυγείου, στη συνέχεια τοποθετήστε την πόρτα στον κάτω μεντεσέ και εγκαταστήστε τον μεσαίο μεντεσέ, τα πώματα οπών και τον σωλήνα ολίσθησης.



6) Συναρμολογήστε το στοπ στην αντίθετη πλευρά της πόρτας της κατάψυξης, στη συνέχεια τοποθετήστε την πόρτα στον μεσαίο μεντεσέ και εγκαταστήστε τον επάνω μεντεσέ, το κάλυμμα του επάνω μεντεσέ, τον σωλήνα ολίσθησης και το πώμα οπής στην άλλη πλευρά.



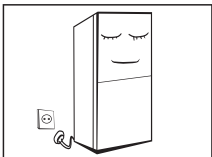
(Η παραπάνω εικόνα είναι μόνο για αναφορά.

Η πραγματική διαμόρφωση θα εξαρτηθεί από το φυσικό προϊόν ή τη δήλωση του διανομέα)

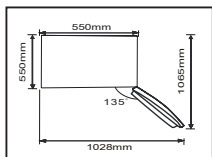
2.4 Αλλαγή της λυχνίας φωτισμού

- Οποιαδήποτε αντικατάσταση ή συντήρηση των λυχνιών LED πρέπει να γίνεται από τον κατασκευαστή, τον αντιπρόσωπο σέρβις του ή παρόμοια καταρτισμένο τεχνικό.
- Η πηγή φωτός σε αυτό το προϊόν μπορεί να αντικατασταθεί μόνο από ειδικευμένους τεχνικούς.

2.5 Εκκίνηση



- Μετά τη μεταφορά, αφήστε το προϊόν ακίνητο για περισσότερο από 2 ώρες πριν το συνδέσετε στο ρεύμα, διαφορετικά θα προκληθεί μείωση της ψυκτικής ικανότητας ή ζημιά στο προϊόν.
- Πριν από την τοποθέτηση νωπών ή κατεψυγμένων τροφίμων, το ψυγείο πρέπει να έχει λειτουργήσει για 2-3 ώρες ή για πάνω από 4 ώρες το καλοκαίρι όταν η θερμοκρασία περιβάλλοντος είναι υψηλή.
- Αφήστε αρκετό χώρο ώστε να μπορούν να ανοίγουν σωστά και χωρίς πρόβλημα οι πόρτες και τα συρτάρια του ψυγείου

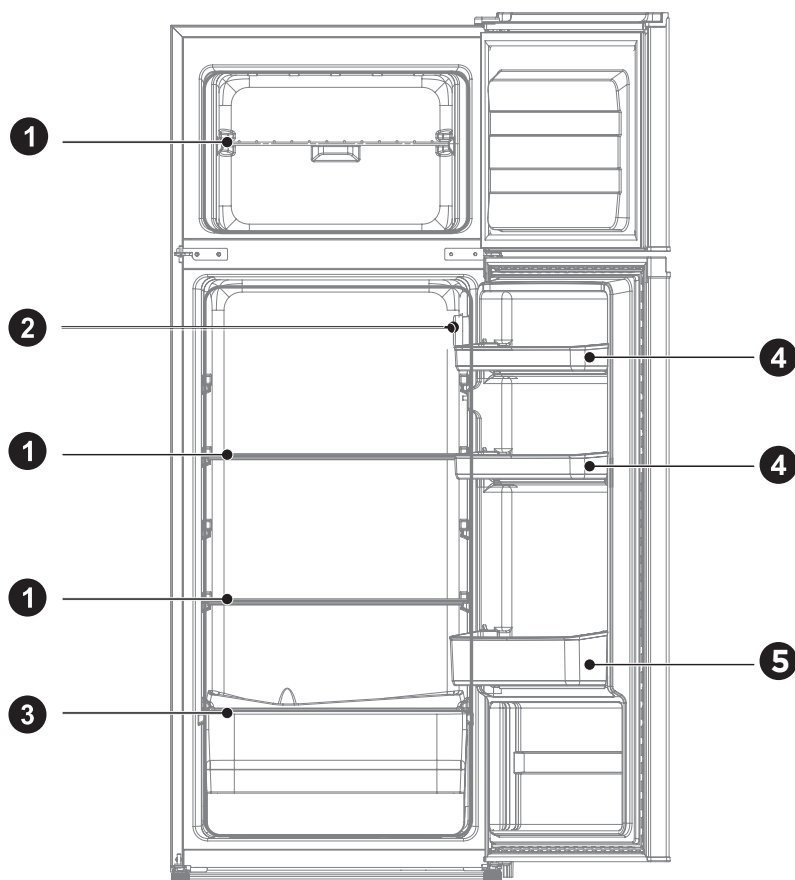


2.6 Συμβουλές εξοικονόμησης ενέργειας

- Η συσκευή θα πρέπει να βρίσκεται στην πιο δροσερή περιοχή του δωματίου, μακριά από συσκευές παραγωγής θερμότητας ή αγωγούς θέρμανσης και από το άμεσο ηλιακό φως.
- Αφήστε τα ζεστά τρόφιμα να κρυώσουν σε θερμοκρασία δωματίου πριν τα τοποθετήσετε στη συσκευή. Η υπερφόρτωση της συσκευής αναγκάζει τον αεροσυμπιεστή να λειτουργεί περισσότερο. Τα τρόφιμα που παγώνουν πολύ αργά μπορεί να υποβαθμιστούν όσον αφορά την ποιότητα ή να χαλάσουν.
- Βεβαιωθείτε ότι έχετε τυλίξει σωστά τα τρόφιμα και σκουπίστε τα δοχεία προτού τα τοποθετήσετε στη συσκευή. Με αυτόν τον τρόπο μειώνεται η συσσώρευση πάγου στο εσωτερικό της συσκευής.
- Οι εσωτερικοί χώροι της συσκευής δεν πρέπει να έχουν επενδυθεί με αλουμινόχαρτο, κηρόχαρτο ή χαρτί κουζίνας. Τέτοιου είδους επενδύσεις παρεμποδίζουν την κυκλοφορία κρύου αέρα, καθιστώντας τη συσκευή λιγότερο αποδοτική.
- Οργανώστε και επισημάνετε τα τρόφιμα για να μειώσετε τις φορές που ανοίγουν οι πόρτες και τις παρατεταμένες αναζητήσεις. Αφαιρέστε όσα είδη χρειάζεται ταυτόχρονα και κλείστε την πόρτα το συντομότερο δυνατό.

3 Επισκόπηση της Μονάδας

3.1 Βασικά εξαρτήματα



- 1) Ράφι
- 2) Ρυθμιστής θερμοκρασίας
- 3) Συρτάρι φρούτων και λαχανικών

- 4) Μικρό ράφι πόρτας
- 5) Μεγάλο ράφι πόρτας

(Η παραπάνω εικόνα είναι μόνο για αναφορά. Η πραγματική διαμόρφωση θα εξαρτηθεί από το φυσικό προϊόν ή τη δήλωση του διανομέα.)

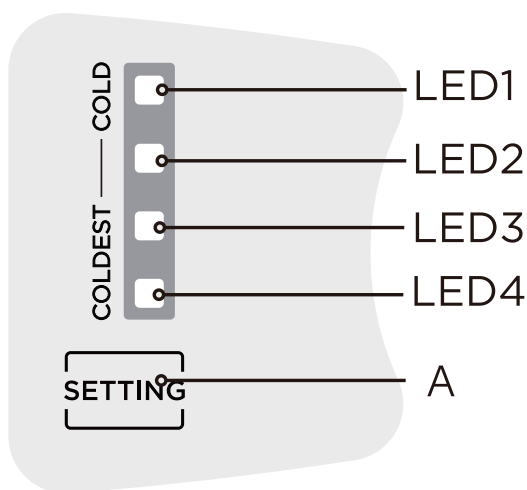
Θάλαμος συντήρησης

- Ο θάλαμος συντήρησης είναι κατάλληλος για την αποθήκευση μιας ποικιλίας φρούτων, λαχανικών, ποτών και άλλων τροφίμων που καταναλώνονται βραχυπρόθεσμα, με προτεινόμενο χρόνο αποθήκευσης 3 έως 5 ημέρες.
- Τα μαγειρεμένα τρόφιμα δεν πρέπει να τοποθετούνται στο θάλαμο συντήρησης μέχρι να κρυώσουν σε θερμοκρασία δωματίου.
- Τα τρόφιμα συνιστάται να σφραγίζονται πριν από την τοποθέτηση στο ψυγείο.
- Τα γυάλινα ράφια γυαλιού μπορούν να ρυθμιστούν επάνω ή κάτω για εύλογο χώρο αποθήκευσης και εύκολη χρήση.
- Μην τοποθετείτε ακάλυπτα υγρά στο ψυγείο, γιατί η υγρασία αυξάνει τη δημιουργία πάγου και απαιτείται συχνότερη απόψυξη.
- Τα τρόφιμα ή τα δοχεία δεν πρέπει να ακουμπούν στον πίσω τοίχο του ψυγείου, γιατί μπορεί να παγώσουν επάνω του.

Θάλαμος κατάψυξης

- Ο θάλαμος κατάψυξης χαμηλής θερμοκρασίας μπορεί να κρατήσει τα τρόφιμα φρέσκα για μεγάλο χρονικό διάστημα και χρησιμοποιείται κυρίως για την αποθήκευση κατεψυγμένων τροφίμων και την παρασκευή πάγου.
- Ο θάλαμος κατάψυξης είναι κατάλληλος για την αποθήκευση κρέατος, ψαριών και άλλων τροφίμων που δεν προορίζονται για βραχυπρόθεσμη κατανάλωση.
- Τα κομμάτια κρέατος είναι προτιμότερο να κοπούν σε μικρά κομμάτια για γρήγορη κατάψυξη και εύκολη πρόσβαση. Να σημειωθεί ότι τα τρόφιμα πρέπει να καταναλώνονται εντός του χρόνου διατήρησης.
- Μην τοποθετείτε φρέσκα τρόφιμα δίπλα σε κατεψυγμένα, γιατί τα κατεψυγμένα μπορεί να αποψυχθούν.
- Τα κατεψυγμένα τρόφιμα πρέπει να διατηρούνται σε κατάλληλες συσκευασίες για να κρατούν την ποιότητά τους και να επιστρέφονται άμεσα στην κατάψυξη.
- Αν μια συσκευασία κατεψυγμένου τροφίμου δείχνει υγρασία ή ανώμαλο φούσκωμα, πιθανόν να έχει αποθηκευτεί σε λάθος θερμοκρασία και δεν πρέπει να καταναλωθεί.

3.2 Λειτουργίες



(Η παραπάνω εικόνα είναι μόνο για αναφορά. Η πραγματική διαμόρφωση θα εξαρτηθεί από το φυσικό προϊόν ή τη δήλωση του διανομέα.)

1) Π λ ή κ τ ρ ο

A. Ρύθμισης θερμοκρασίας του χώρου συντήρησης

2) Οθόνη ενδείξεων

- ① LED 1 : COLD
- ② LED 2 : COLDER
- ③ LED 3 : COLDEST
- ④ LED 4 : SUPER COOL

3) Οθόνη ενδείξεων

κατά την πρώτη φορά που το ψυγείο θα συνδεθεί στο ρεύμα όλες οι ενδείξεις θα ανάψουν για 2 δευτερόλεπτα και μετά η συσκευή θα λειτουργήσει στη ρύθμιση 3. Σε περίπτωση βλάβης το αντίστοιχο LED αναβοσβήνει και ο κωδικός βλάβης εμφανίζεται για 30 λεπτά.

Για να εμφανιστεί ξανά ο κωδικός, αποσυνδέστε και επανασυνδέστε τη συσκευή στο ρεύμα.

Σε κανονική λειτουργία δείχνει την επιλεγμένη ρύθμιση.

Κωδικός βλάβης	Περιγραφή βλάβης
ένδειξη ρυθμίσεων 1 και 3	Αισθητήρας θερμοκρασίας χώρου
ένδειξη ρυθμίσεων 1 και 2	Αισθητήρας ξεπαγώματος ψυγείου

4) Ρύθμιση θερμοκρασίας

Κάθε φορά που το πληκτρο ρύθμισης θερμοκρασίας A πιέζεται μια φορά, η ρύθμιση θερμοκρασίας αλλάζει μια φορά. Μόλις ολοκληρωθεί η ρύθμιση θερμοκρασίας το ψυγείο θα λειτουργήσει με βάση αυτή την τιμή μετά από 15 δευτ.

Η εναλλαγή ρυθμίσεων είναι η ακόλουθη:

5) Λειτουργία Super Freeze

Πατήστε και κρατήστε πατημένο το πλήκτρο ρύθμισης θερμοκρασίας για 6 δευτερόλεπτα για να ενεργοποιήσετε τη λειτουργία Super Freeze.

Μετά από 30 δευτερόλεπτα η λειτουργία θα ξεκινήσει και τα LED3 και LED4 θα ανάψουν ταυτόχρονα.

Η λειτουργία Super Freeze θα απενεργοποιηθεί αυτόματα μετά από 40 ώρες λειτουργίας, ή μπορεί να απενεργοποιηθεί χειροκίνητα πατώντας το πλήκτρο ρύθμισης. Το σύστημα θα επιστρέψει στη προηγούμενη ρύθμιση θερμοκρασίας.

Για καλύτερη απόδοση, συνιστάται η ενεργοποίηση της λειτουργίας Super Freeze τουλάχιστον 12 ώρες πριν την τοποθέτηση μεγάλης ποσότητας τροφίμων στη συντήρηση.

6) Λειτουργία Super Cool

Πατήστε και κρατήστε πατημένο το πλήκτρο ρύθμισης θερμοκρασίας για 3 δευτερόλεπτα για να ενεργοποιήσετε τη λειτουργία Super Cool.

Μετά από 30 δευτερόλεπτα η λειτουργία θα ξεκινήσει και τα LED1 και LED2 θα ανάψουν ταυτόχρονα.

Η λειτουργία Super Cool θα απενεργοποιηθεί αυτόματα μετά από 6 ώρες λειτουργίας, ή μπορεί να απενεργοποιηθεί χειροκίνητα πατώντας το πλήκτρο ρύθμισης. Το σύστημα θα επιστρέψει στη προηγούμενη ρύθμιση θερμοκρασίας.

7) Κλείδωμα / Ξεκλείδωμα

Όταν το πλήκτρο ρύθμισης θερμοκρασίας παραμένει πατημένο για 10 δευτερόλεπτα, όλα τα LED στον πίνακα ελέγχου θα σβήσουν. Μετά από 30 δευτερόλεπτα, ο πίνακας ελέγχου θα εισέλθει σε λειτουργία αναμονής (Standby mode). Όταν ο πίνακας βρίσκεται σε λειτουργία αναμονής, πατώντας μία φορά το πλήκτρο ρύθμισης θερμοκρασίας όλα τα LED θα ανάψουν ξανά και η λειτουργία αναμονής θα τερματιστεί. Όταν το ψυγείο εισέλθει σε λειτουργία αναμονής (Standby mode), η λειτουργία σταματά και η λυχνία σβήνει αυτόματα.

4 Συντήρηση και φροντίδα της συσκευής

4.1 Γενικό καθάρισμα της συσκευής

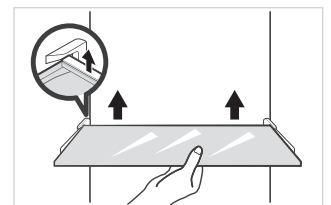
- Οι σκόνες πίσω από το ψυγείο και στο έδαφος πρέπει να καθαρίζονται έγκαιρα για να βελτιωθεί το ψυκτικό αποτέλεσμα και η εξοικονόμηση ενέργειας.
- Ελέγχετε τακτικά το λάστιχο της πόρτας για να βεβαιωθείτε ότι δεν υπάρχουν υπολείμματα. Καθαρίστε το λάστιχο της πόρτας με ένα μαλακό πανί, βρεγμένο με σαπουνόνερο ή με αραιωμένο απορρυπαντικό.
- Το εσωτερικό του ψυγείου θα πρέπει να καθαρίζεται τακτικά για να αποφεύγεται η οσμή.
- Απενεργοποιήστε την παροχή ρεύματος πριν καθαρίσετε το εσωτερικό, αφαιρέστε όλα τα τρόφιμα, ποτά, ράφια, συρτάρια, κλπ.
- Χρησιμοποιήστε ένα μαλακό πανί ή σφουγγάρι για να καθαρίσετε το εσωτερικό του ψυγείου με δύο κουταλιές μαγειρικής σόδας και ένα τέταρτο του λίτρου ζεστό νερό. Κατόπιν ξεπλύνετε με νερό και σκουπίστε. Μετά τον καθαρισμό, ανοίξτε την πόρτα και αφήστε την να στεγνώσει φυσικά πριν το ενεργοποιήσετε.
- Για περιοχές που είναι δύσκολο να καθαριστούν στο ψυγείο (όπως στενά σημεία, κενά ή γωνίες), συνιστάται να τα σκουπίζετε τακτικά με ένα μαλακό πανί, ή μαλακή βούρτσα κλπ., και όταν χρειάζεται, σε συνδυασμό με ορισμένα βοηθητικά εργαλεία (όπως λεπτά στικ) για να διασφαλιστεί ότι δεν συσσωρεύονται μολυσματικές ή βακτηριακές ουσίες σε αυτές τις περιοχές.
- Μην χρησιμοποιείτε σαπούνι, απορρυπαντικό, σκόνη καθαρισμού, καθαριστικό σπρέι κ.λπ., καθώς αυτά μπορεί να προκαλέσουν οσμές στο εσωτερικό του ψυγείου ή μόλυνση των τροφίμων.
- Καθαρίστε το πλαίσιο του μπουκαλιού, τα ράφια και τα συρτάρια με ένα μαλακό πανί, βρεγμένο με σαπουνόνερο ή με αραιωμένο απορρυπαντικό.
- Σκουπίστε το με ένα στεγνό μαλακό πανί ή αφήστε το να στεγνώσει φυσικά. Σκουπίστε την εξωτερική επιφάνεια του ψυγείου με ένα μαλακό πανί, βρεγμένο με σαπουνόνερο, απορρυπαντικό κ.λπ., και στη συνέχεια σκουπίστε.
- Μην χρησιμοποιείτε σκληρές βούρτσες, σύρμα, συρμάτινες βούρτσες, λειαντικά (όπως οδοντόκρεμες), οργανικούς διαλύτες (όπως αλκοόλ, ακετόνη, λάδι μπανάνας κ.λπ.), βραστό νερό, όξινα ή αλκαλικά αντικείμενα, που μπορεί να προκαλέσουν φθορά στην επιφάνεια του ψυγείου και στο εσωτερικό του. Το βραστό νερό και οι οργανικοί διαλύτες όπως το βενζόλιο μπορεί να παραμορφώσουν ή να προκαλέσουν φθορά στα πλαστικά μέρη.
- Μην ξεπλένετε απευθείας με νερό ή άλλα υγρά κατά τη διάρκεια του καθαρισμού για να αποφύγετε βραχυκύκλωμα ή φθορά στην ηλεκτρική μόνωση.



⚠ (Αποσυνδέστε το ψυγείο από την πρίζα όταν πρόκειται να κάνετε απόψυξη και καθαρισμό.)

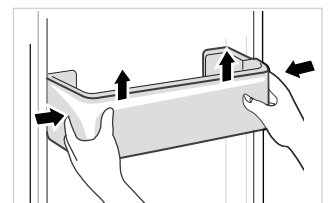
4.2 Καθάρισμα των γυάλινων ραφιών

- Αφαιρέστε το συρτάρι κάτω από το γυάλινο ράφι
- Ανασηκώστε τη μπροστά πλευρά του ραφιού (περίπου 60°) και τραβήξτε το έξω
- Αφαιρέστε το γυάλινο ράφι και καθαρίστε το όσο χρειάζεται
- Για την τοποθέτηση ακολουθήστε αντίστροφα τις παραπάνω οδηγίες



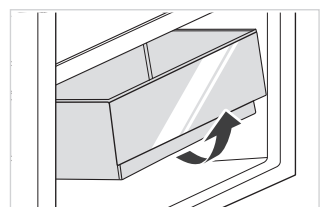
4.3 Καθαρισμός ραφιού πόρτας

- Κρατήστε το ράφι με τα δύο χέρια και σπρώξτε προς τα πάνω για να το αφαιρέσετε.
- Πλύνετε τη θήκη και ρυθμίστε το ύψος τοποθέτησης, αν χρειάζεται.
- Για την τοποθέτηση ακολουθήστε αντίστροφα τις παραπάνω οδηγίες.



4.4 Καθαρισμός συρταριού φρούτων & λαχανικών

- Αφαιρέστε τα περιεχόμενα από το συρτάρι φρούτων και λαχανικών.
- Κρατήστε τη χειρολαβή και τραβήξτε το συρτάρι μέχρι τέρμα.
- Ανασηκώστε το συρτάρι και τραβήξτε προς τα έξω για να το αφαιρέσετε.
- Για την τοποθέτηση ακολουθήστε αντίστροφα τις παραπάνω οδηγίες.




4.5 Απόψυξη

- Βγάλτε το φιν από την πρίζα.
- Αφαιρέστε όλα τα αποθηκευμένα τρόφιμα και τοποθετήστε τα σωστά ώστε να μην λιώσουν.
- Αφήστε την πόρτα ανοιχτή, καθαρίστε τον σωλήνα αποστράγγισης (χρησιμοποιήστε μαλακά υλικά για να μην προκληθεί ζημιά στην επένδυση) και τοποθετήστε ένα δοχείο κάτω από τη συσκευή για να συλλέξετε το νερό απόψυξης.
- Όταν ολοκληρωθεί η απόψυξη, στεγνώστε καλά το εσωτερικό.
- Ξαναβάλτε το φιν στην πρίζα για να λειτουργήσει ξανά η συσκευή.

4.6 Αποσύνδεση από τη παροχή ρεύματος

- Διακοπή ρεύματος: Τα τρόφιμα μπορούν να διατηρηθούν για μερικές ώρες ακόμα και το καλοκαίρι σε περίπτωση διακοπής ρεύματος. Στη διάρκεια της διακοπής ρεύματος, συνιστάται να μειώνετε τη συχνότητα που ανοίγετε την πόρτα και να μη βάζετε φρέσκα τρόφιμα στη συσκευή.
- Αν δεν πρόκειται να χρησιμοποιήσετε τη συσκευή για μεγάλο χρονικό διάστημα: Η συσκευή θα πρέπει να αποσυνδεθεί και στη συνέχεια να καθαριστεί. Στη συνέχεια, οι πόρτες παραμένουν ανοιχτές για την αποφυγή οσμών.
- Μετακίνηση: Πριν από τη μετακίνηση του ψυγείου, αφαιρέστε όλα τα αντικείμενα που υπάρχουν μέσα σε αυτό, στερεώστε τα γυάλινα χωρίσματα, το συρτάρι των λαχανικών, τα συρτάρια της κατάψυξης κ.λπ. με αυτοκόλλητη ταινία και σφίξτε τα ρυθμιζόμενα πόδια. Κλείστε τις πόρτες και στερεώστε τις με ταινία. Κατά τη μετακίνηση, η συσκευή δεν θα πρέπει να αναποδογυρίσει, να βρεθεί σε οριζόντια θέση ή να τρανταχτεί. Η κλίση στη διάρκεια της μετακίνησης δεν πρέπει να υπερβαίνει τις 45°.

 Το ψυγείο θα πρέπει να λειτουργεί συνεχόμενα από την στιγμή της πρώτης εκκίνησης και να μην διακόπτεται, διαφορετικά μπορεί να επηρεαστεί αρνητικά η διάρκεια ζωής της συσκευής.

ΣΗΜΕΙΩΣΗ ΓΙΑ ΤΗΝ ΑΝΑΚΥΚΛΩΣΗ



Το προϊόν που αγοράσατε έχει σχεδιαστεί και κατασκευαστεί με υλικά υψηλών προδιαγραφών και εξαρτήματα που μπορούν να ανακυκλωθούν και να ξαναχρησιμοποιηθούν. Το σύμβολο υποδεικνύει ότι οι ηλεκτρικές και ηλεκτρονικές συσκευές, στο τέλος της ζωής τους, θα πρέπει να μεταφέρονται σε ειδικούς χώρους απορριμμάτων, ξεχωριστά από τα σκουπίδια του σπιτιού σας. Παρακαλούμε, ρωτήστε τον τοπικό σας δήμο για τον χώρο απόρριψης ηλεκτρικών και ηλεκτρονικών συσκευών ή για τοποθεσία απόρριψης συσκευών προς ανακύκλωση. Στις χώρες της Ευρωπαϊκής Ένωσης, υπάρχουν σημεία συγκέντρωσης χρησιμοποιημένων ηλεκτρικών και ηλεκτρονικών συσκευών.

Παρακαλούμε, βοηθήστε μας να προστατέψουμε το περιβάλλον που ζούμε!

5. ΣΥΧΝΕΣ ΕΡΩΤΗΣΕΙΣ

5.1 Διαβάστε τον παρακάτω πίνακα ώστε να επιλύσετε τυχόν απορίες ή δυσλειτουργίες που ενδέχεται να προκύψουν. Αν κάτι δεν μπορείτε να το αναλάβετε μόνοι σας, καλέστε αδειοδοτημένο τεχνικό ή το τμήμα σέρβις του κατασκευαστή.

Η συσκευή δεν λειτουργεί	<ul style="list-style-type: none"> • Ελέγξτε αν η συσκευή είναι συνδεδεμένη στο ρεύμα και αν η πρίζα έχει συνδεθεί σωστά • Ελέγξτε αν η τάση είναι χαμηλή • Ελέγξτε αν υπάρχει διακοπή ρεύματος
Οσμή	<ul style="list-style-type: none"> • Τα τρόφιμα με έντονη μυρωδιά θα πρέπει να τυλίγονται • Κάποιο τρόφιμο μπορεί να έχει χαλάσει • Το εσωτερικό του ψυγείου πρέπει να καθαριστεί
Μακροπρόθεσμη λειτουργία του συμπιεστή	<ul style="list-style-type: none"> • Είναι φυσιολογικό το ψυγείο να λειτουργεί για μεγαλύτερο χρονικό διάστημα το καλοκαίρι, όταν η θερμοκρασία του περιβάλλοντος είναι υψηλότερη • Μην βάζετε πάρα πολλά τρόφιμα στην κατάψυξη • Μην τοποθετείτε τα τρόφιμα μέχρι να αποκτήσουν τη θερμοκρασία περιβάλλοντος • Μην ανοίγεται συχνά τη πόρτα
Ο λαμπτήρας δεν ανάβει	<ul style="list-style-type: none"> • Ελέγξτε αν το ψυγείο είναι συνδεδεμένο με την τροφοδοσία ρεύματος • Ελέγξτε αν ο λαμπτήρας έχει υποστεί βλάβη και αντικαταστήστε τον
Η πόρτα του ψυγείου δεν κλείνει επαρκώς	<ul style="list-style-type: none"> • Η πόρτα εμποδίζεται από συσκευασίες τροφίμων
Έντονος θόρυβος	<ul style="list-style-type: none"> • Τα τρόφιμα θα πρέπει να είναι οριζόντια τοποθετημένα • Ελέγξτε αν τα εξαρτήματα του ψυγείου είναι σωστά τοποθετημένα
Το λάστιχο της πόρτας έχει χαλαρώσει	<ul style="list-style-type: none"> • Καθαρίστε το λάστιχο και απομακρύνεται στοιχεία που εμποδίζουν τη λειτουργία του
Διαρροή νερού	<ul style="list-style-type: none"> • Έχουν τοποθετηθεί πάρα πολλά τρόφιμα ή τα τρόφιμα περιέχουν πάρα πολύ νερό το οποίο οδηγεί σε απόψυξη • Οι πόρτες δεν έχουν κλείσει επαρκώς με αποτέλεσμα τη δημιουργία πάγου λόγω της εισόδου αέρα και της έντονης θερμοκρασιακής διακύμανσης
Θερμό περίβλημα	<ul style="list-style-type: none"> • Το περίβλημα του ψυγείου μπορεί να εκπέμπει θερμότητα κατά τη λειτουργία, ειδικά το καλοκαίρι. Αυτό προκαλείται από την ακτινοβολία του συμπυκνωτή και είναι φυσιολογικό φαινόμενο
Συμπύκνωση	<ul style="list-style-type: none"> • Συμπύκνωση: το φαινόμενο συμπύκνωσης θα ανιχνεύεται στην εξωτερική επιφάνεια και τα Λάστιχα της πόρτας του καταψύκτη, όταν η υγρασία του περιβάλλοντος είναι μεγάλη. Αυτό είναι φυσιολογικό φαινόμενο και η συμπύκνωση μπορεί να σκουπίζεται με μια στεγνή πετσέτα.
Βόμβος	<ul style="list-style-type: none"> • Βόμβος: Βόμβος θα παράγεται κατά τη λειτουργία του συμπιεστή, ειδικά κατά την έναρξη ή τη διακοπή λειτουργίας

Πίνακας 1 Κλιματική Κλάση

Κλάση	Σύμβολο	Θερμοκρασιακό Εύρος °C
Εκτεταμένη εύκρατη κλάση	SN	Από 10°C έως 32°C
Εύκρατη κλάση	N	Από 16°C έως 32°C
Υποτροπική κλάση	ST	Από 16°C έως 38°C
Τροπική κλάση	T	Από 16°C έως 43°C

Εκτεταμένη εύκρατη: 'η συγκεκριμένη συσκευή ψύξης προορίζεται να χρησιμοποιείται σε θερμοκρασίες περιβάλλοντος μεγέθους από 10 °C έως 32 °C';

Εύκρατη: 'η συγκεκριμένη συσκευή ψύξης προορίζεται να χρησιμοποιείται σε θερμοκρασίες περιβάλλοντος μεγέθους από 16 °C έως 32 °C';

Υποτροπική: 'η συγκεκριμένη συσκευή ψύξης προορίζεται να χρησιμοποιείται σε θερμοκρασίες περιβάλλοντος μεγέθους από 16 °C έως 38 °C';

Τροπική: 'η συγκεκριμένη συσκευή ψύξης προορίζεται να χρησιμοποιείται σε θερμοκρασίες περιβάλλοντος μεγέθους από 16 °C έως 43 °C';

Τα παρακάτω αναφερόμενα στον πίνακα μπορούν να παραληφθούν από την Inventor

Ανταλακτικό	Προμηθευμένο από	Ελάχιστος χρόνος που απαιτείται για την προμήθεια
θερμοστάτες	Επαγγελματικό προσωπικό συντήρησης	Τουλάχιστον 7 έτη αφού το τελευταίο μοντέλο προβλήθηκε στην αγορά
αισθητήρες θερμοκρασίας	Επαγγελματικό προσωπικό συντήρησης	Τουλάχιστον 7 έτη αφού το τελευταίο μοντέλο προβλήθηκε στην αγορά
πλακέτες τυπωμένων κυκλωμάτων	Επαγγελματικό προσωπικό συντήρησης	Τουλάχιστον 7 έτη αφού το τελευταίο μοντέλο προβλήθηκε στην αγορά
πηγές φωτός	Επαγγελματικό προσωπικό συντήρησης	Τουλάχιστον 7 έτη αφού το τελευταίο μοντέλο προβλήθηκε στην αγορά
χειρολαβές πόρτας	Επαγγελματίες, επισκευαστές και τελικούς χρήστες	Τουλάχιστον 7 έτη αφού το τελευταίο μοντέλο προβλήθηκε στην αγορά
μεντεσέδες πόρτας	Επαγγελματίες, επισκευαστές και τελικούς χρήστες	Τουλάχιστον 7 έτη αφού το τελευταίο μοντέλο προβλήθηκε στην αγορά
δίσκοι	Επαγγελματίες, επισκευαστές και τελικούς χρήστες	Τουλάχιστον 7 έτη αφού το τελευταίο μοντέλο προβλήθηκε στην αγορά
καλάθια	Επαγγελματίες, επισκευαστές και τελικούς χρήστες	Τουλάχιστον 7 έτη αφού το τελευταίο μοντέλο προβλήθηκε στην αγορά
περιβλήματα πόρτας	Επαγγελματίες, επισκευαστές και τελικούς χρήστες	Τουλάχιστον 10 έτη αφού το τελευταίο μοντέλο προβλήθηκε στην αγορά

Αγαπητέ πελάτη

- Εάν θέλετε να επιστρέψετε ή να αντικαταστήσετε το προϊόν, παρακαλούμε επικοινωνήστε με το κατάστημα από όπου το αγοράσατε. (Θυμηθείτε να έχετε μαζί σας την απόδειξη αγοράς)
- Εάν το προϊόν παρουσιάσει βλάβη και χρειάζεται επισκευή, παρακαλούμε επικοινωνήστε με το εξουσιοδοτημένο τμήμα εξυπηρέτησης μετά την πώληση.

Υποβολή Εγγύησης

- Επισκεφθείτε τη σελίδα μας και ενεργοποιήστε την εγγύησή σας μέσω του παρακάτω link ή σκανάροντας το QR code

<https://www.inventoraircondition.gr/egiisi-inventor>



- Συμπληρώστε όλα τα πεδία όπως φαίνονται παρακάτω

Για να ενεργοποιήσετε την εγγύηση, παρακαλούμε συμπληρώστε τα παρακάτω πεδία

Στοιχεία ιδιοκτήτη

Όνοματεπώνυμο*

Διεύθυνση*

Τ.Κ.*

Τηλέφωνο*

Διεύθυνση email*

Να εγγραφώ στο newsletter της Inventor

* Απαραίτητο πεδίο

Αποστέλοντας τη φόρμα εγγύησης αποδέχεστε τους όρους και τις προϋποθέσεις.

ΑΠΟΣΤΟΛΗ

Στοιχεία μηχανήματος

Τύπος μηχανήματος*

Σειριακός αριθμός μηχανήματος*

Ημερομηνία αγοράς μηχανήματος*

Αριθμός παραστατικού*

Επιπλέον στοιχεία

- Μόλις ολοκληρωθεί η υποβολή της εγγύησης θα λάβετε την επιβεβαίωση κατοχύρωσης στο email σας

Όλες οι εικόνες στο παρόν εγχειρίδιο εξυπηρετούν επεξηγηματικούς σκοπούς. Το προϊόν που προμηθευτήκατε μπορεί να εμφανίζει ορισμένες διαφορές ως προς το σχήμα, ωστόσο οι λειτουργίες και τα χαρακτηριστικά παραμένουν ίδια. Η εταιρεία δεν φέρει ευθύνη για τυχόν τυπογραφικά λάθη. Ο σχεδιασμός και οι προδιαγραφές του προϊόντος μπορεί να τροποποιηθούν χωρίς προηγούμενη ειδοποίηση με σκοπό τη βελτίωση των προϊόντων. Για λεπτομέρειες, απευθυνθείτε στον κατασκευαστή στο 211 300 3300 ή στον αντιπρόσωπο. Τυχόν ενημερώσεις του εγχειρίδιου θα αναρτηθούν στην ιστοσελίδα του κατασκευαστή, παρακαλούμε να ελέγξετε για την πιο πρόσφατη έκδοση.



Σαρώστε εδώ για να κατεβάσετε την τελευταία έκδοση του εγχειριδίου.
www.inventoraircondition.gr/media-library



REFRIGERATOR

DOUBLE DOOR



V:1.0.092025

Scan here to download the latest version of this manual.
Σαρώστε εδώ για να κατεβάσετε την τελευταία έκδοση του εγχειριδίου.



Importer/Manufacturer: INVENTOR A.G. S.A.

24th km National Road Athens - Lamia & 2 Thoukididou Str., Ag. Stefanos, 145 65,
Tel.: +30 211 300 3300, Fax: +30 211 300 3333