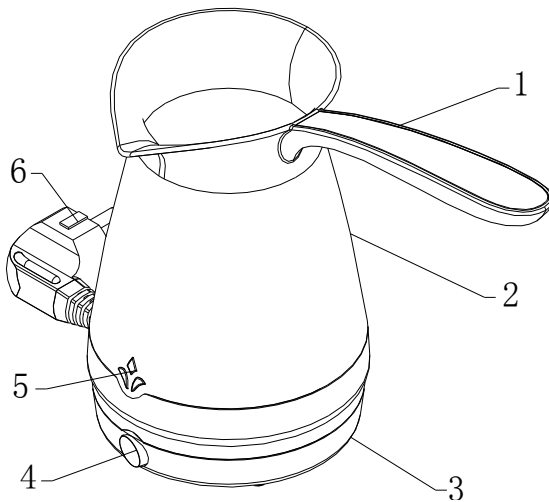


# ELECTRIC POT

## INSTRUCTION MANUAL

Model No.: R-922

### DESCRIPTION



1. Handle
2. Main Body
3. Base
4. Switch
5. Lamp
6. Power cord

In order to obtain ultimate output from your appliance, please read carefully this user's manual and save it for further use.

## **IMPORTANT SAFEGUARDS**

When using an electric appliance, basic safety precautions should always be followed. Including:

- This appliance can be used by children aged from 8 years and above if they have been given supervision or instruction concerning use of the appliance in a safe way and if they understand the hazards involved. Cleaning and user maintenance shall not be made by children unless they are older than 8 and supervised. Keep the appliance and its cord out of the reach of children aged less than 8 years.
- Appliances can be used by persons with reduced physical, sensory or mental capabilities or lack of experience and knowledge if they have been given supervision or instruction concerning use of the appliance in a safe way and understand the hazards involved.
- Children shall not play with the appliance.
- This appliance is intended to be used in household and similar applications such as:
  - staff kitchen areas in shops, offices and other working environments
  - farm houses
  - by clients in hotels, motels and other residential type environments
  - bed and breakfast type environments
- Make sure that the voltage indicated on the appliance corresponds with the mains voltage in your home. Our company shall not be held liable for any failures owing to any discrepancy and such failures shall not be covered by the guarantee.
- Your device is for household use only. Do not use it for commercial or industrial purposes. Do not fill with any other liquids or solutions.
- Keep your appliance away from and out of reach of the children.

- Plug your device to a grounded socket. To prevent harming your appliance do not use extension cords that supply insufficient current. When using extension cords, make sure to use grounded socket, with the cable cross section of 0.75m<sup>2</sup>.
- Do not place the appliance over or near direct heat sources such as a stove, heating oven, etc.
- Ensure that the appliance is placed on a firm and flat surface. Do not put it on the edge of a table or bench. The least blow or knock may overturn it. Do not forget that it may be full of hot water.
- Do not let cord hang over edge of table or counter or touch any other appliances.
- Avoid actions that may harm or damage the cord or plug of your device .Do not carry your appliance by holding from the cord. To unplug the appliance, hold the plug and NEVER pull by the cord.
- Never interfere with your appliance except for the purposes of cleaning and maintenance. Do not operate any appliance with a damaged cord or plug or after the appliance malfunctions or has been damaged in any manner. Such as by dropping down, etc. Do not attempt to repair it by yourself. It must be replaced by the manufacturer or its service agent or a similarly qualified person in order to avoid a hazard.
- Always hold your appliance by its handle. Its outer surface may be hot.
- Unplug from outlet when not in use and before cleaning. Allow it to cool down completely before cleaning the appliance.
- Use your appliance with its own power base unit only. Do not place on it those units belonging to any other appliance.
- You can use the product as a kettle. In this case, when the water begins to boil switch off your appliance by pressing on/off switch since your unit would not be switched off automatically.
- If you want to re-boil your water, wait for about 15-20 seconds before switching on your appliance.
- Put sufficient quantity of cold water into your electric pot, according to the needed number of cup of boil water (for 3-4 persons, max).

- Place the appliance onto the power base unit, and switch on the electric pot by simply pressing on/off switch.

### **SAFETY CUT-OFF DEVICE**

Protection against running dry: If your electric pot ever runs out while operating, a protection against running dry will cut off the power automatically. In such cases, unplug the appliance from the outlet and allow it to cool down completely.

### **CLEANING**

- Before cleaning your appliance, first ALWAYS read the instructions in the section “Important Safeguards”.

**BEFORE CLEANING TURN OFF THE ON/OFF SWITCH“. ” LOCATED ON YOUR ELECTRIC POT, UNPLUG FROM OUTLET, AND ALLOW IT TO COOL DOWN.**

- Discharge the water from the appliance, and wipe the outside of it thoroughly with a dry or damp cloth.
- NEVER immerse the power base unit and the body into water, nor wash them in a dishwasher.
- Avoid using abrasive and chemical cleaning agents (liquid bleach, hydrochloric acid, etc.) in cleaning any accessories of the appliance.
- Make sure that the cord and mains plug are completely dry. If getting wetted, unplug from outlet and dry both the cord and plug thoroughly.

### **DESCALING**

- It is important to descale the appliance periodically as appropriate for the hygiene and energy saving purposes.
- Limes and scales contained in the used water will form a brown layer on

the heating base, reducing the effectiveness of your appliance.

- Light formation of limes and scales can be easily removed with a brush (Do not forget to unplug the appliance before doing so).
- The decaling agents sold and available on the market to use on household utensils as well as the vinegar can be used for removing the hard scales.
- To clean your device with a descaling agent: Once you have boiled some water in the kettle, add the decaling agent and mix them. Boil for 2-3 minutes more, empty the kettle, and rinse the inside of it 2-3 times repeatedly.
- To clean with ordinary vinegar: Fill your device with half a liter of ordinary vinegar and wait for one hour. Then, pour away the vinegar and rinse it 2-3 times repeatedly with clean water.
- To clean with citric acid: Once you have boiled 200 ml, of water, add 25 grams of citric acid and allow it to wait for 15 minutes. Then, empty the kettle and rinse it 2-3 times repeatedly with clean water. Repeat this process, if necessary. Always add water when using citric acid, and do not clean without water.

## **STORING YOUR ELECTRIC POT**

- Turn off the appliance and remove the power cord from the supply mains.
- Allow the appliance to cool down completely before storing.
- Store the appliance in a cool dry place.

## **WARNING**

- If the kettle ever runs without any water inside while operating, a safety cut-off device will automatically cut the power off. IN such a case you must allow it go cool down completely before refilling with cold water.
- Avoid contact with steam to be ejected from spout when the water is boiling and do not let children to use the appliance.
- Always take care to pour boiling water slowly and carefully without tipping

the device too fast.

- Do not fill above max level.
- Never immerse the appliance power base unit, or mains plug in water or other liquid, nor wash in a dishwasher, nor use in bathroom or any other places with a high rate of moisture.
- NEVER leave the power base unit and electrical connection ends of your device in a damp state. If they get wet unplug before drying and do not operate the appliance before having it dried completely.
- Do not turn the electric pot on when it is not filled with water.
- When there is no water inside the appliance, always switch off the appliance.

## **USING THE ELECTRIC POT**

- When in use, the outer surface of your appliance becomes heated. Therefore, you should not touch the hot surfaces. When water starts boiling, keep your hands away from the spout.
- The appliance must be switched off automatically or manually before attempting to lift the kettle from the power base unit.
- Do not use your electric pot for any other purposes other than boiling water
- Do not fill with any other liquids or solutions.
- Before using for the first time, clean the appliance and then fill water up to the MAX level. Turn off your appliance when the water starts boiling.
- At this point make sure that the water is filled up to the maximum level.
- Pour away the water and allow your appliance to cool down.
- After boiling the water some powder like scale may form due to the hardness of the water. This is quite natural and has no adverse effects for human health.

## **FILLING WITH WATER**

- When filling with water, ALWAYS remove the reservoir from its power base unit. By doing so, you can prevent the water pouring on the

table.

- Do not fill more than 250ml of water (the “MAX” level).
- If you attempt to boil water exceeding the maximum level, the boiled water may overflow from the spout.

## **BOILING WATER**

- Pull and unwind the mains cord under the power base unit of the appliance and connect the plug to a grounded socket.
- Fill with water (max. 250ml) as much as you require.
- Place the electric pot on the power base unit.
- Press the “ON” switch, indicator light will turn on and the water will begin to warm up. When the water boils, se the “ON” switch to the position “OFF”.
- If you desire to stop the boiling function you can press the “OFF” switch.
- If you wait to stop the boiling function early, press the “OFF” switch in order to turn off your electric pot.



## **IMPORTANT INFORMATION FOR CORRECT DISPOSAL OF THE PRODUCT IN ACCORDANCE WITH EC DIRECTIVE 2012/19/EU.**

At the end of its working life, the product must not be disposed of as urban waste.

It must be taken to a special local authority differentiated waste collection centre or to a dealer providing this service.

Disposing of a household appliance separately avoids possible negative consequences for the environment and health, deriving from inappropriate disposal and enables the constituent materials to be recovered to obtain

significant savings in energy and resources. As a reminder of the need to dispose of household appliances separately, the product is marked with a crossed-out wheeled dustbin.