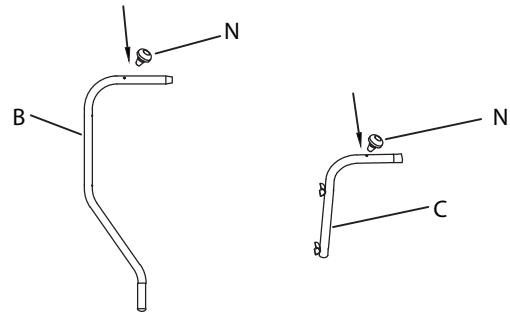
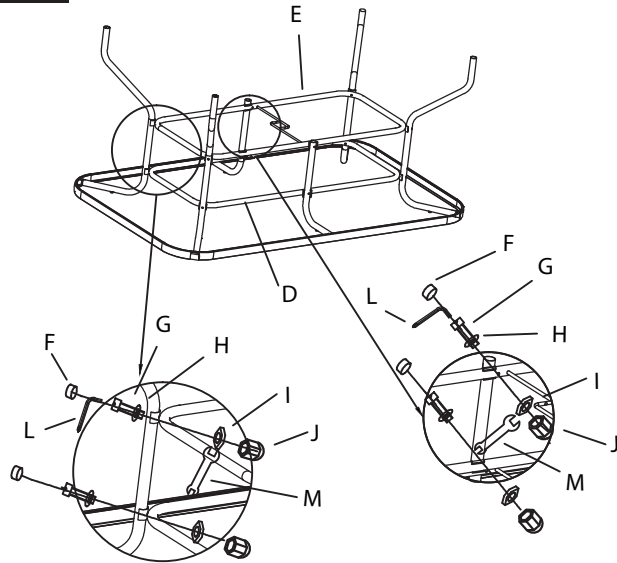


A		1
B		4
C		2
D		1
E		1
F		12
G	 M6x55mm	12
H		12
I		12
J		12
K	 M5x8mm	2
L		1
M		1
N		6

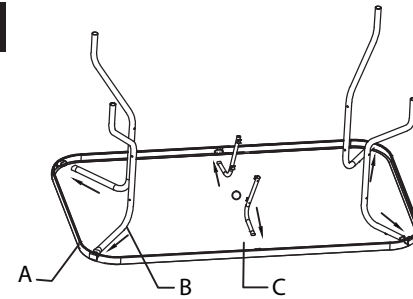
Step 1



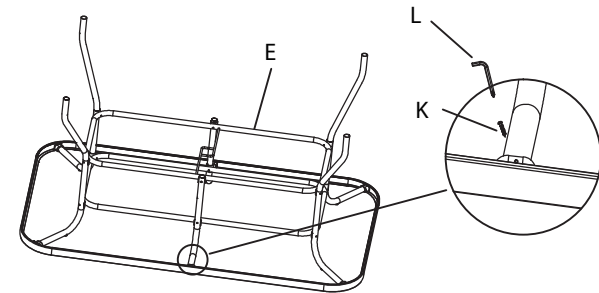
Step 3



Step 2



Step 4



Step 5

