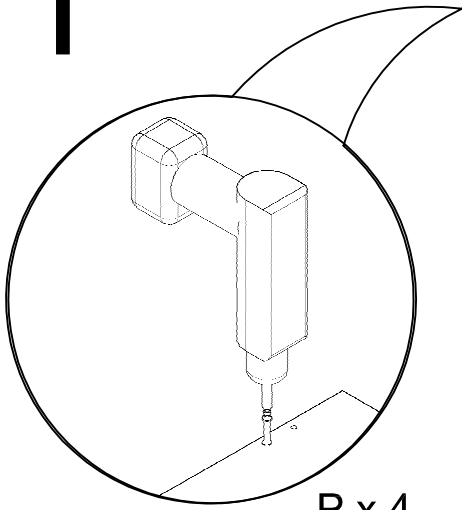
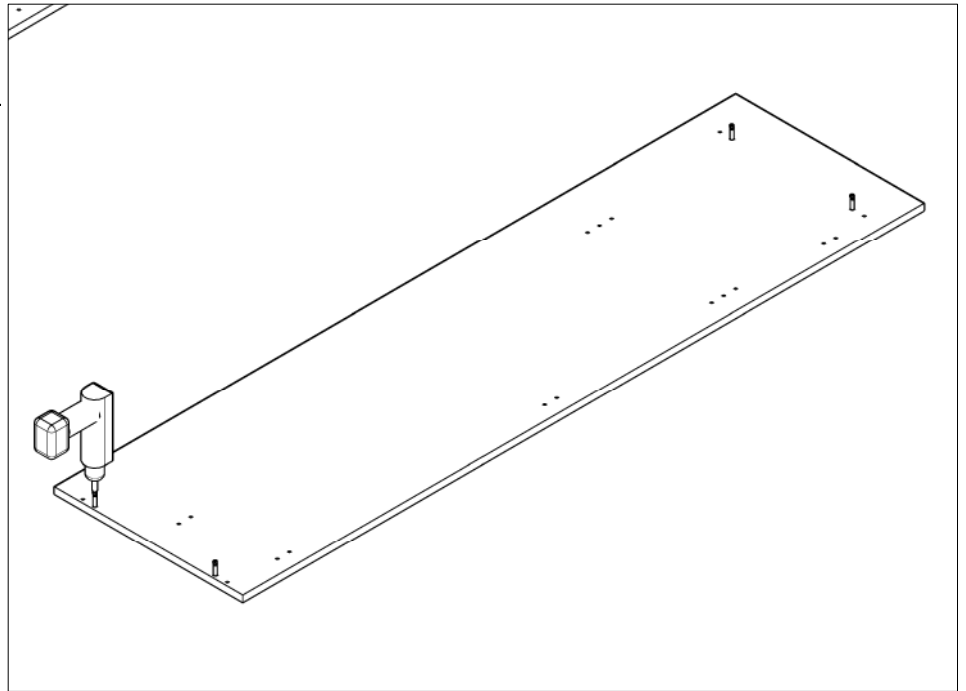


1

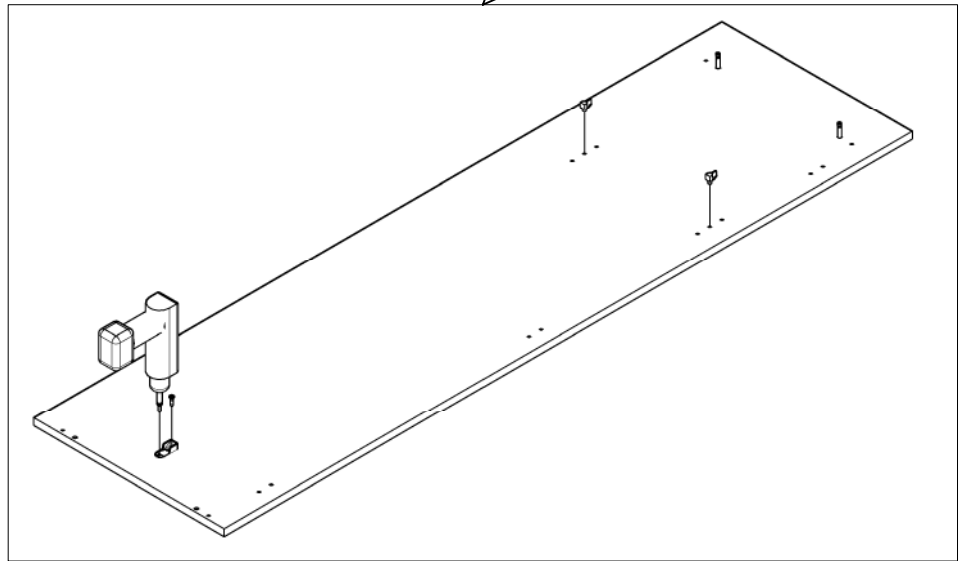
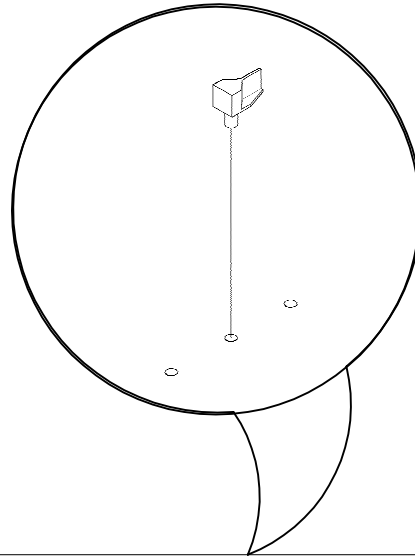


P x 4

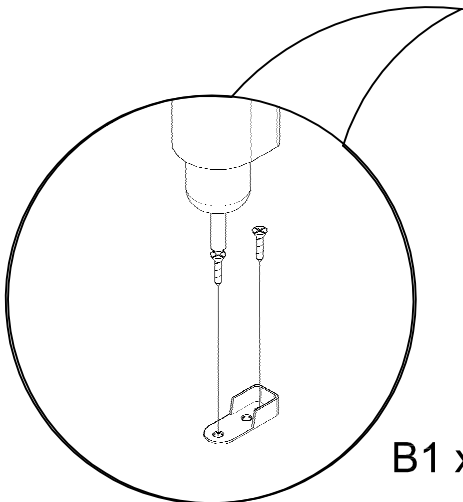


2

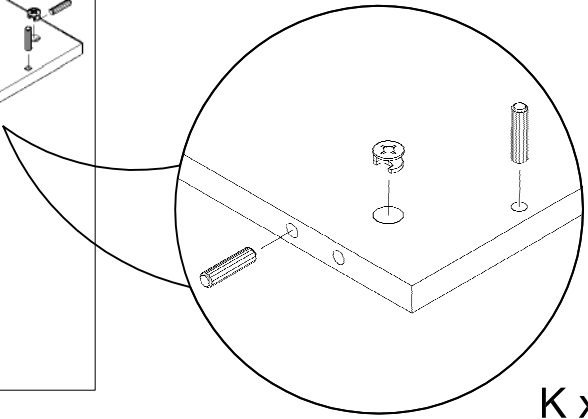
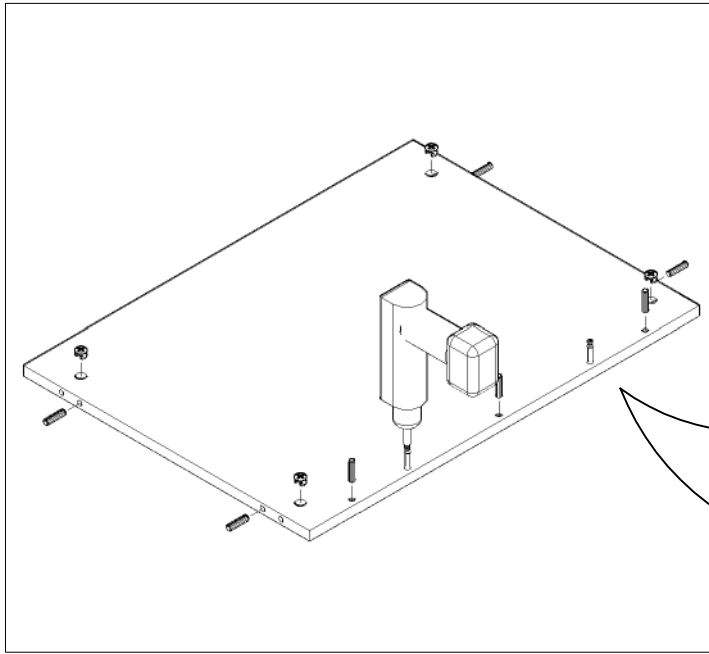
T x 2



B1 x 2

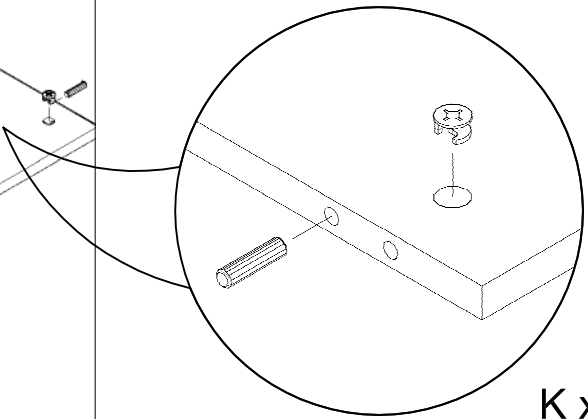
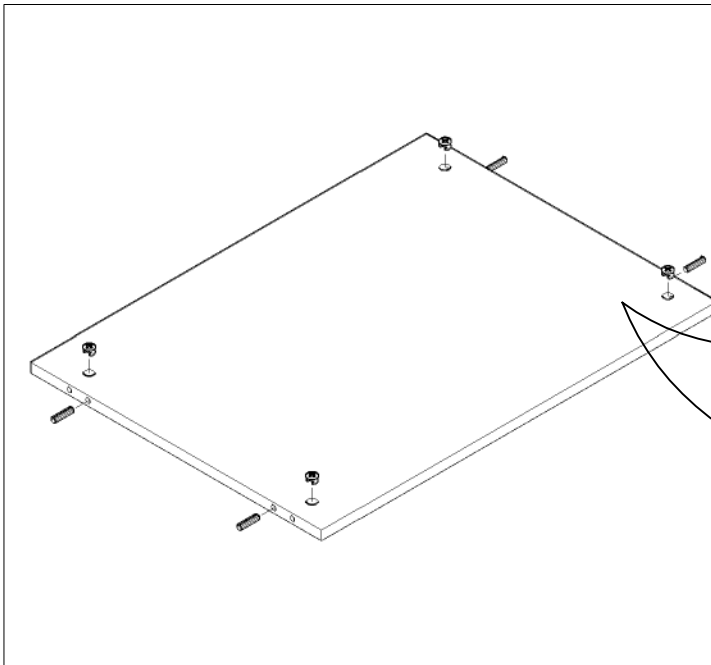


3



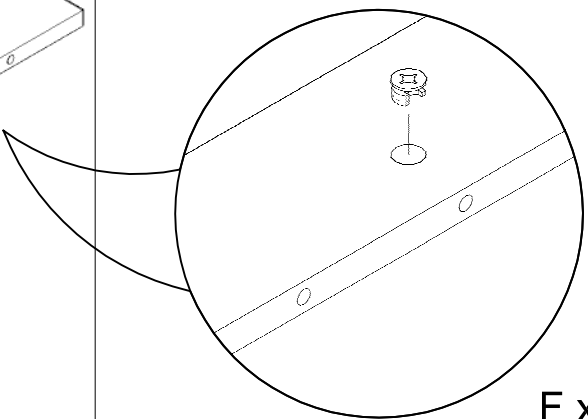
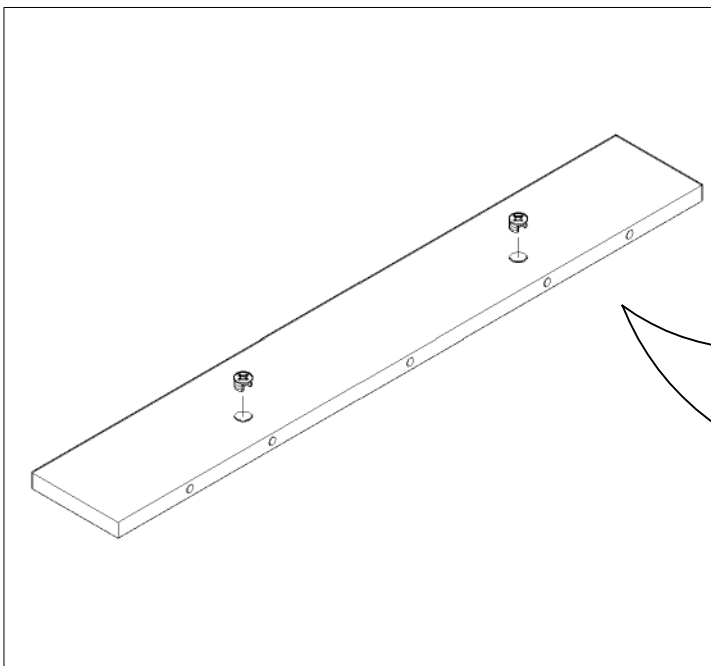
K x 7
F x 4
P x 2

4



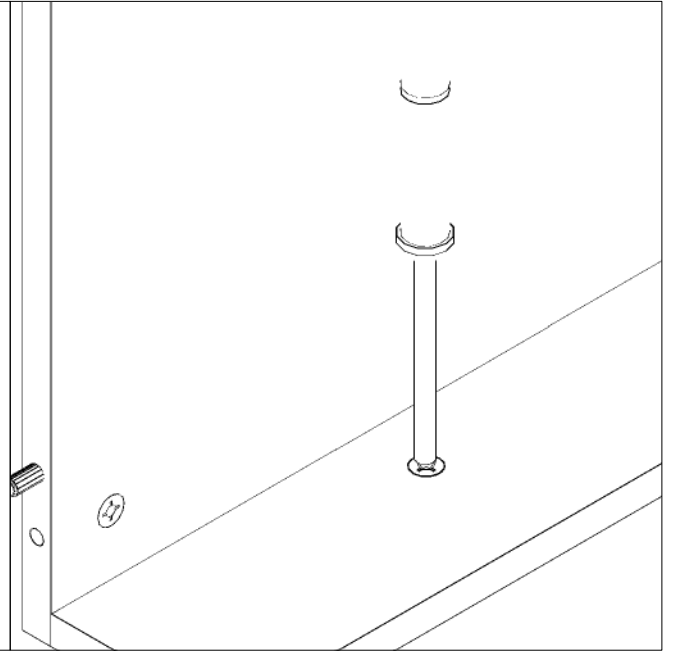
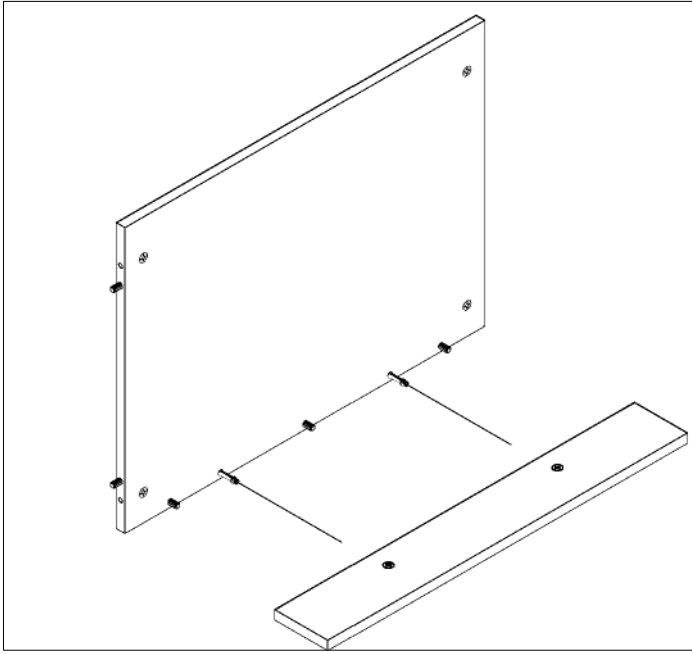
K x 4
F x 4

5

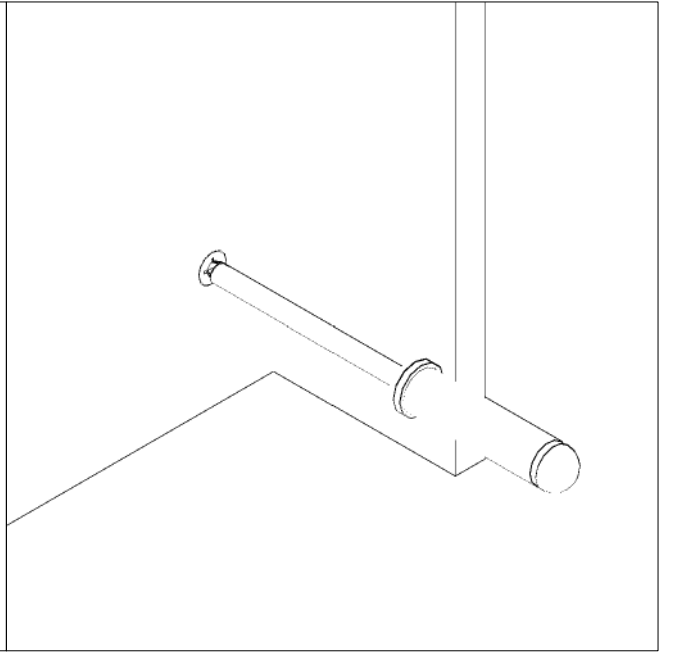
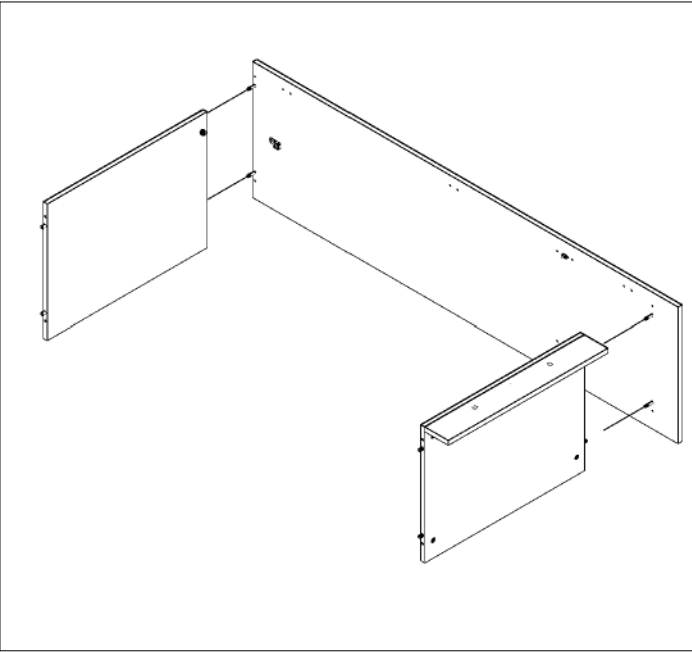


F x 2

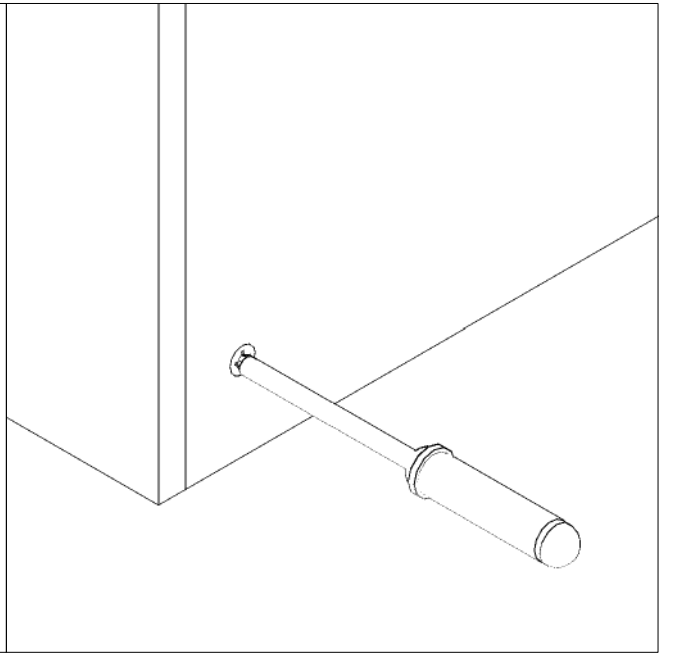
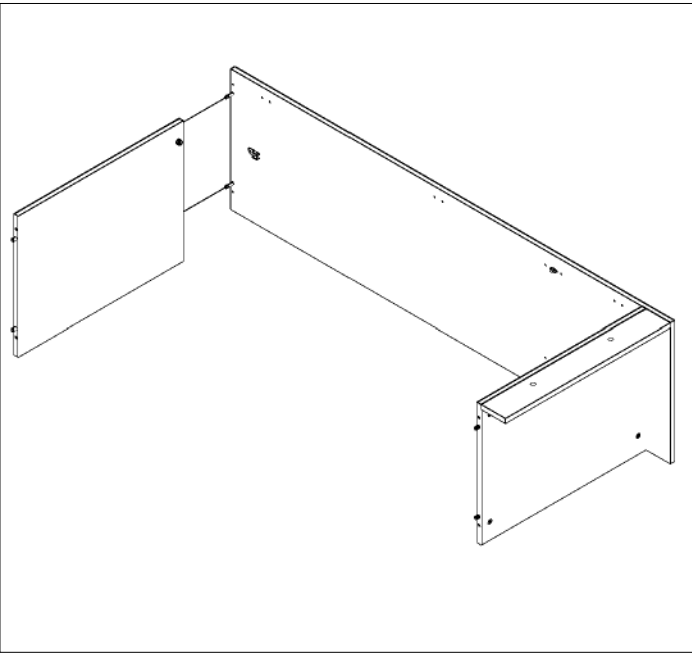
6



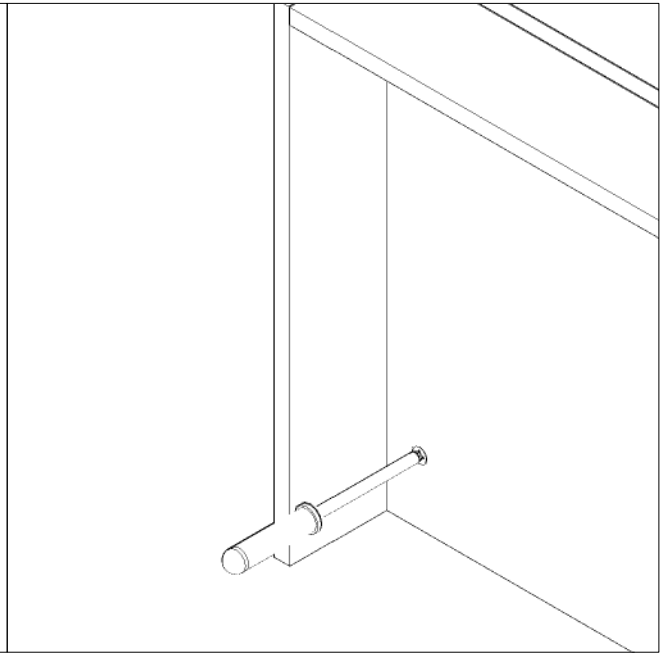
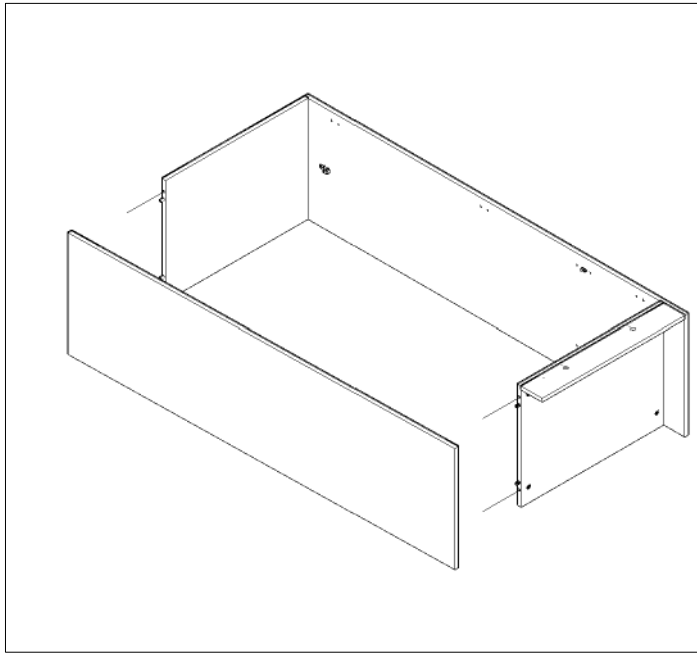
7



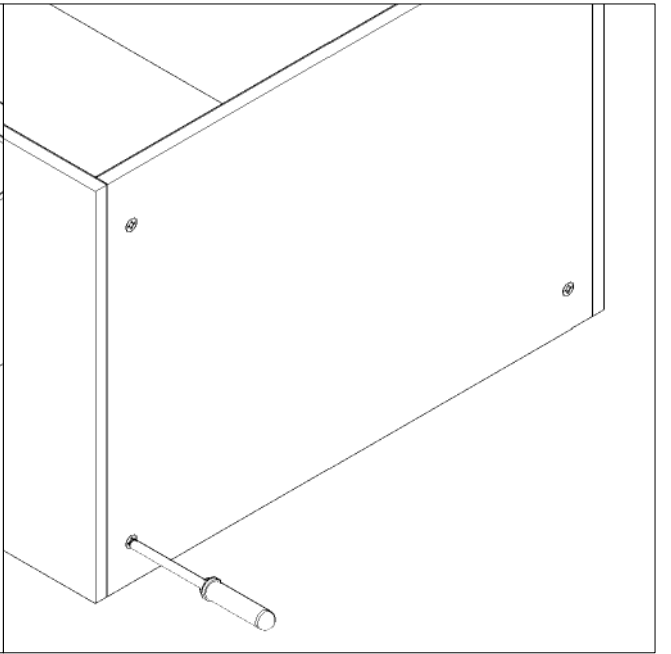
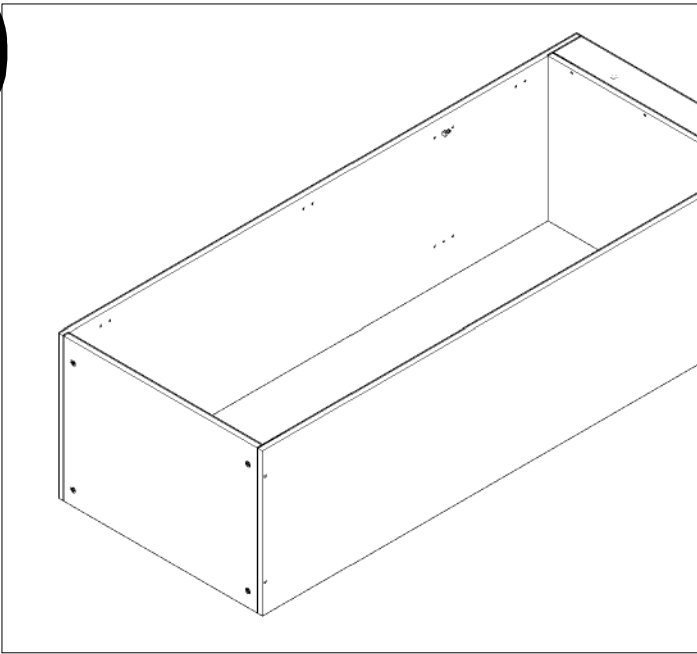
8



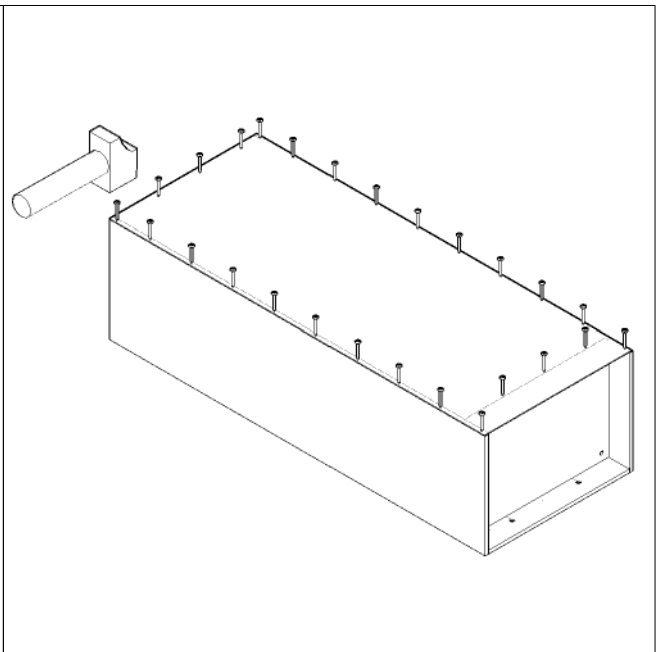
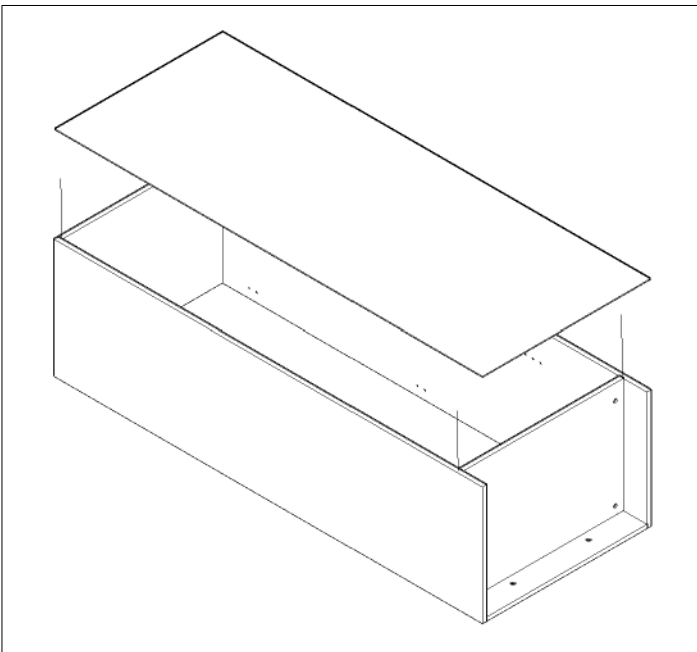
9



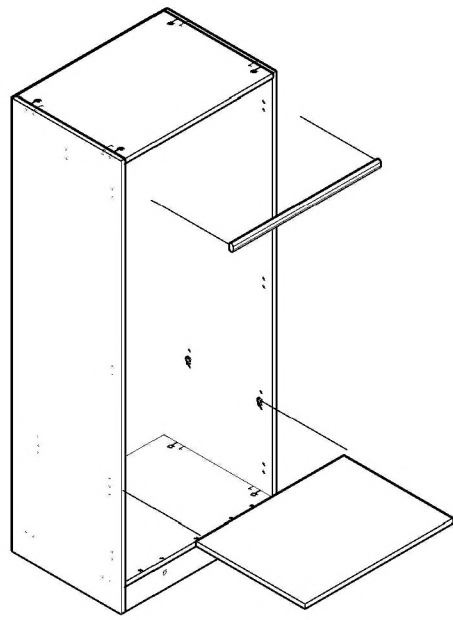
10



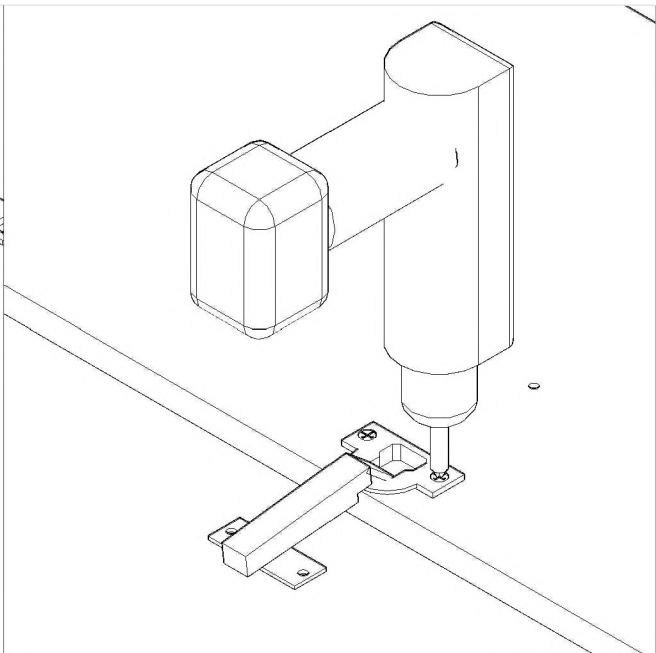
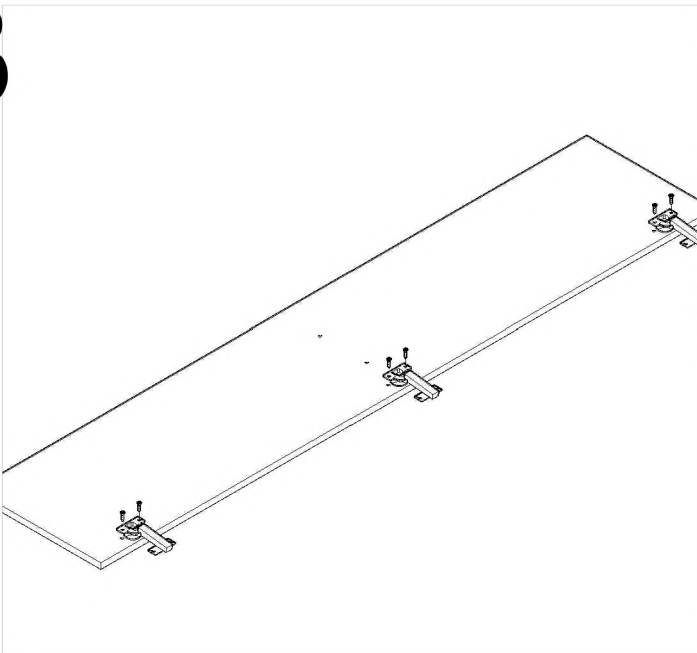
11



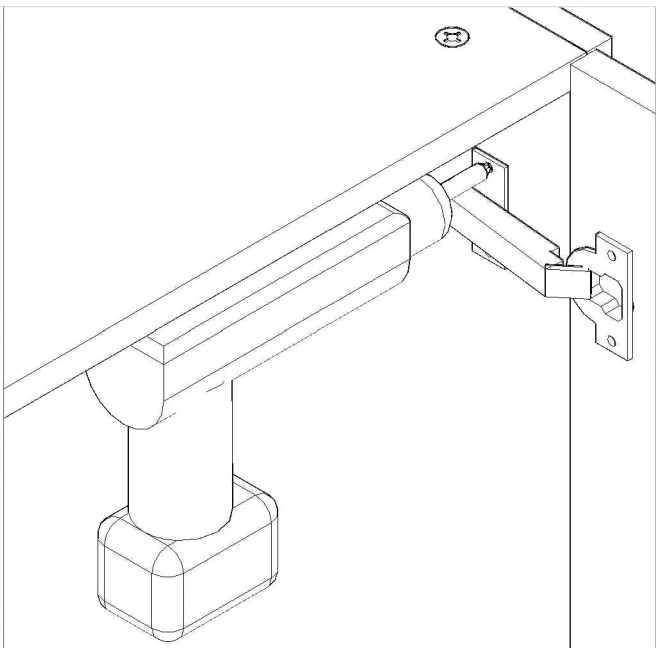
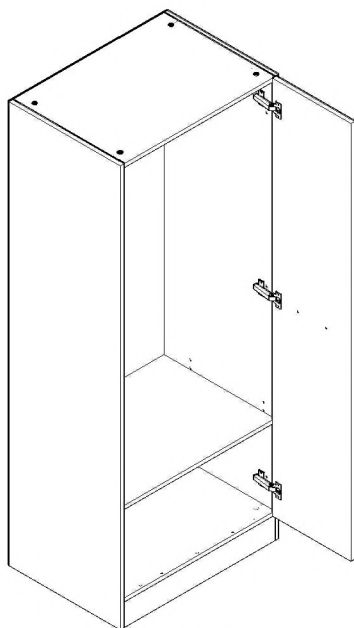
12



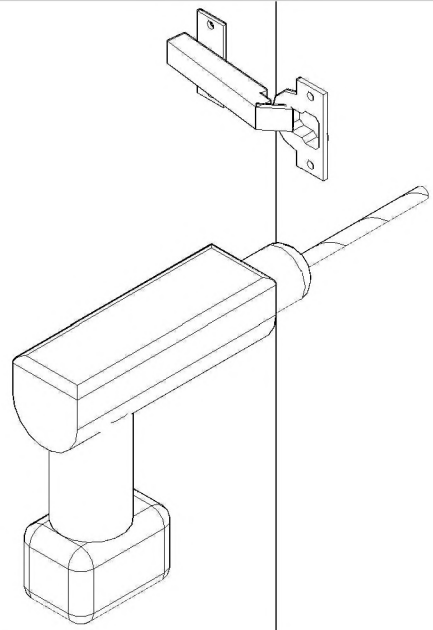
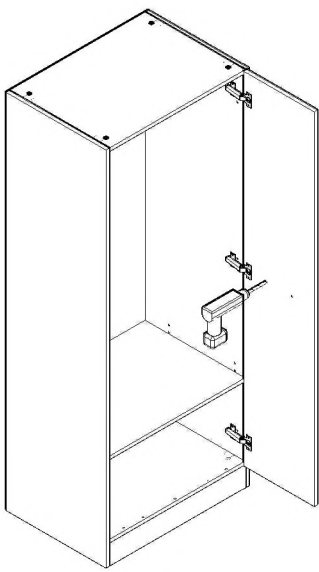
13



14



15



16

