


















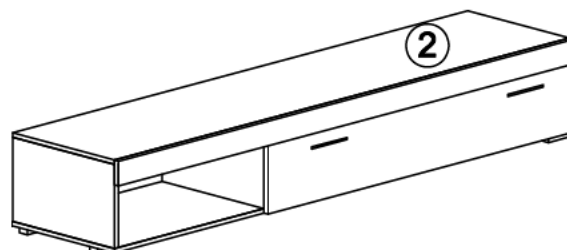
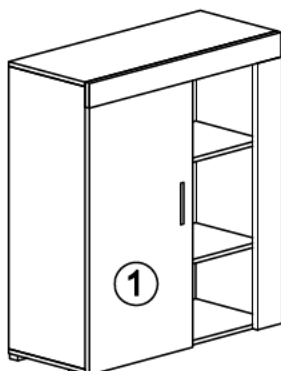
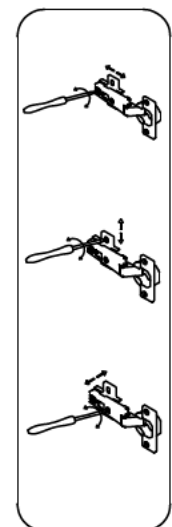
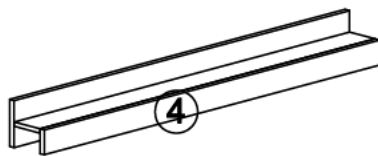


2 ΧΡΟΝΙΑ ΕΓΓΥΗΣΗ

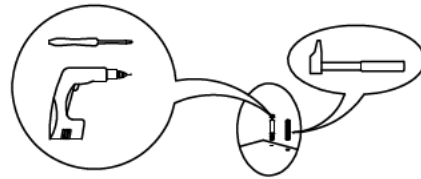
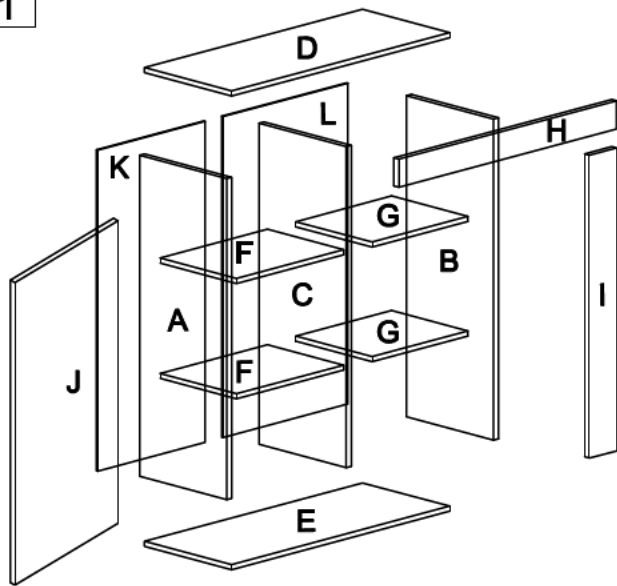
A	1143x320	1/9
B	1143x320	1/9
C	1143x316	1/9
D	800x320	2/9
E	800x320	2/9
F	2x 397x300	2/9
G	2x 335x300	2/9
H	800x100	1/9
I	1074x100	1/9
J	426x1073	3/9
K	1163x373	4/9
L	1163x415	4/9
M	318x415	5/9
N	318x415	5/9
O	318x331	4/9
P	318x415	5/9
Q	1900x415	4/9
R	1900x415	4/9

S	1900x100	4/9
T	1272x247	4/9
U	1263x338	4/9
V	978x285	6/9
W	978x285	6/9
X	978x281	6/9
Y	800x285	7/9
Z	800x285	7/9
AA	2x 397x265	7/9
AB	800x100	6/9
AC	908x100	6/9
AD	426x908	3/9
AE	998x373	4/9
AF	998x415	4/9
AG	1400x190	9/9
AH	1400x108	9/9
AI	1400x100	9/9
a	890x299	3/9
b	2x 353x260	8/9

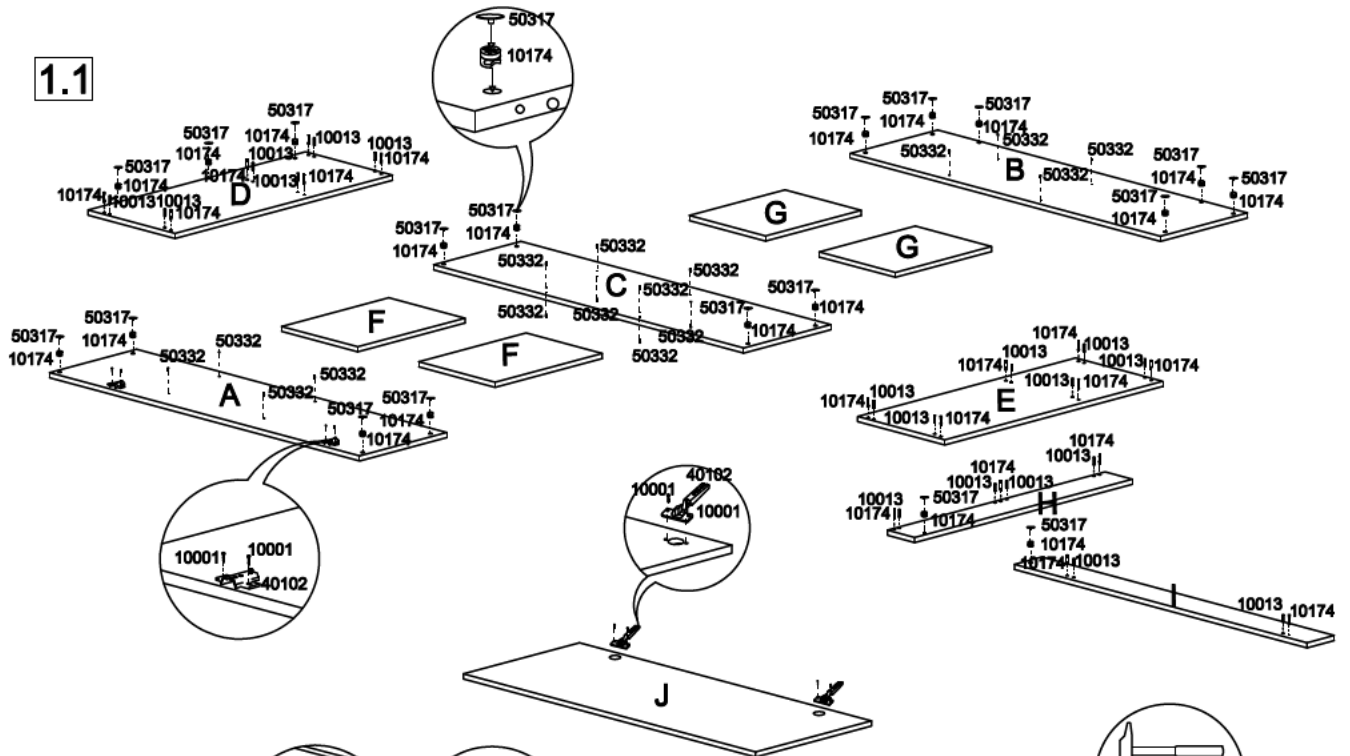
60x  10174	61x  10013	1x  10072	62x  50317	10x  40102	32x  50332	10x  50449
4x  50108	7x  10080	7x  Φ 6x80 10021	3x  10201	3x  10202	5x  20108	2x  Φ 4/16 10082
2x  50146	2x  Φ 4/30 10006	48x  Φ 3,5/16 10001	20x  Φ 4/35 10019	 10033		



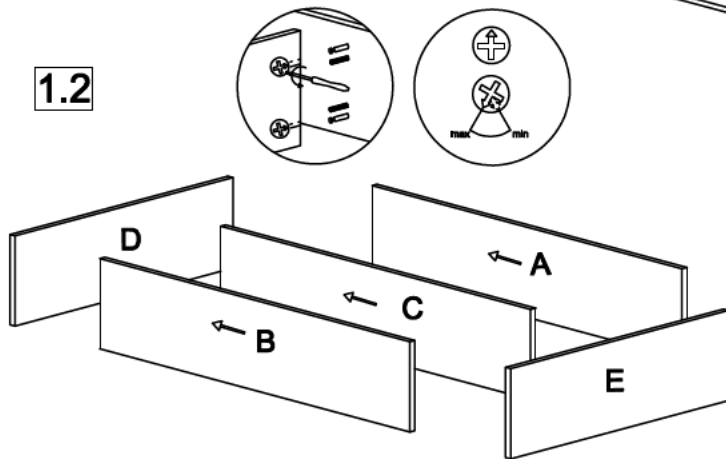
1



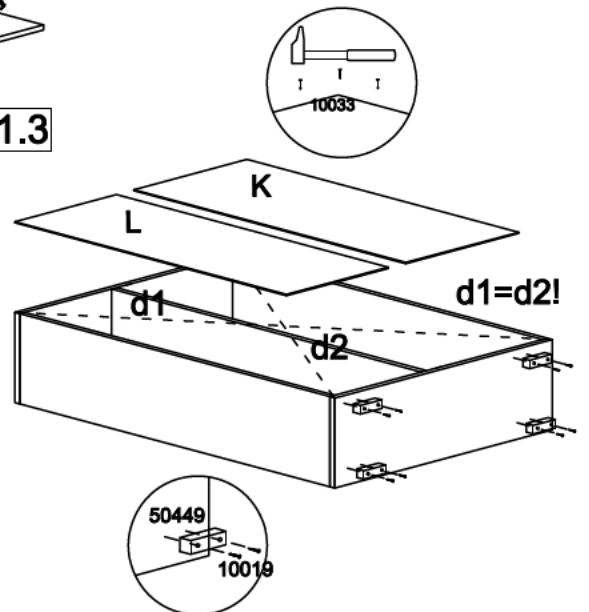
1.1



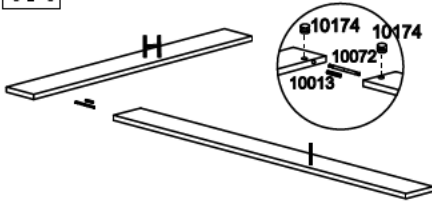
1.2



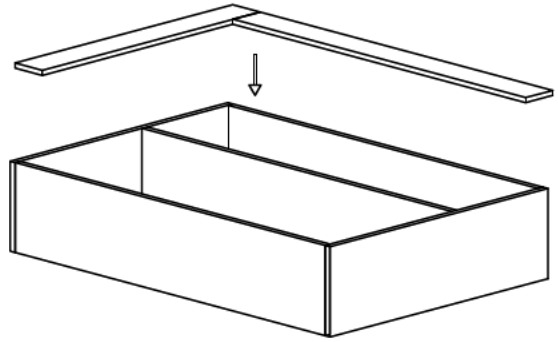
1.3



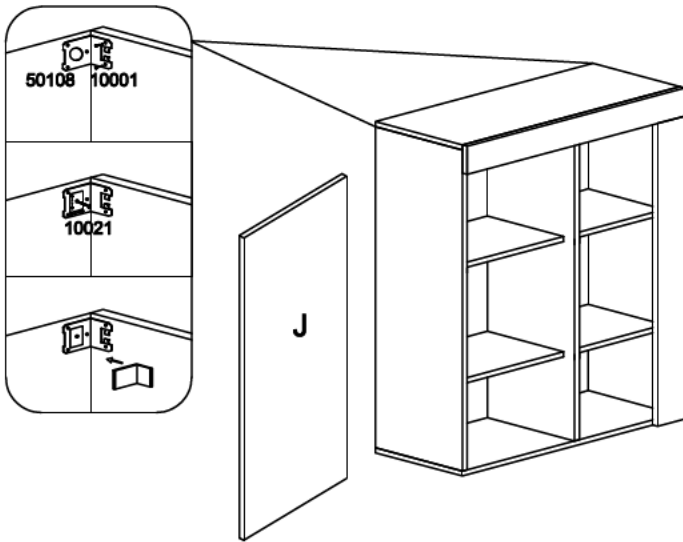
1.4



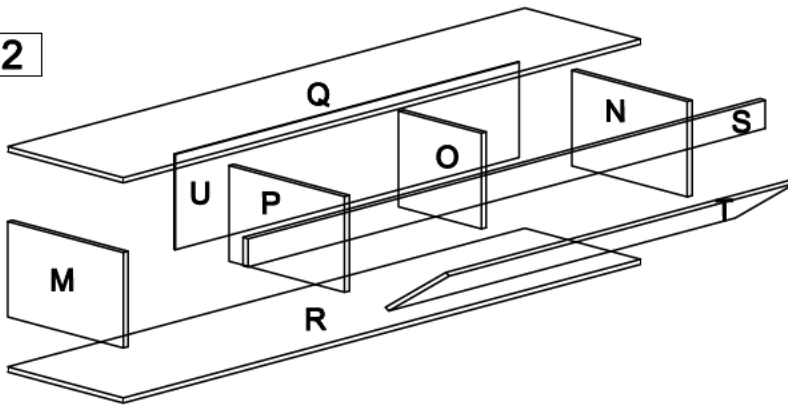
1.5



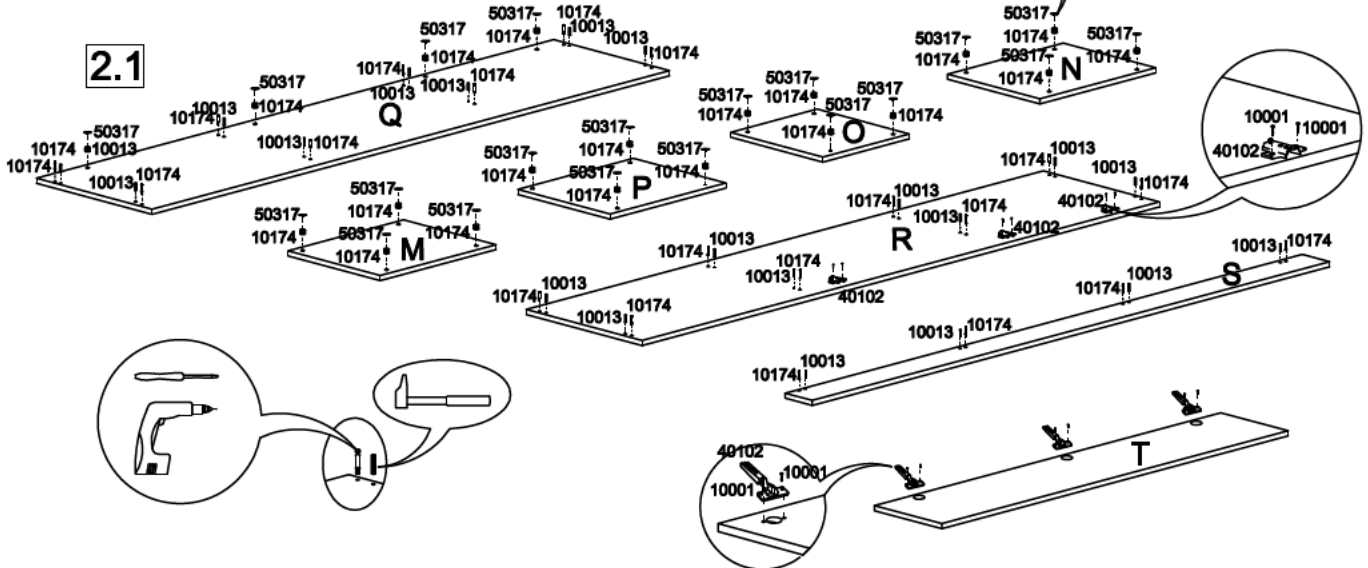
1.6



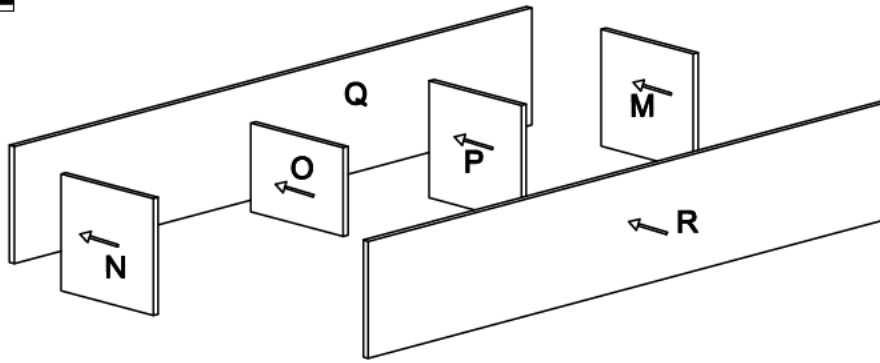
2



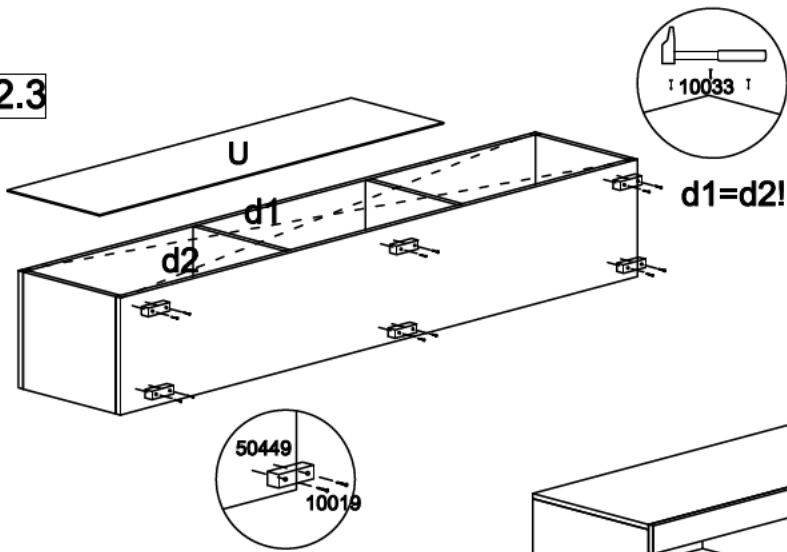
2.1



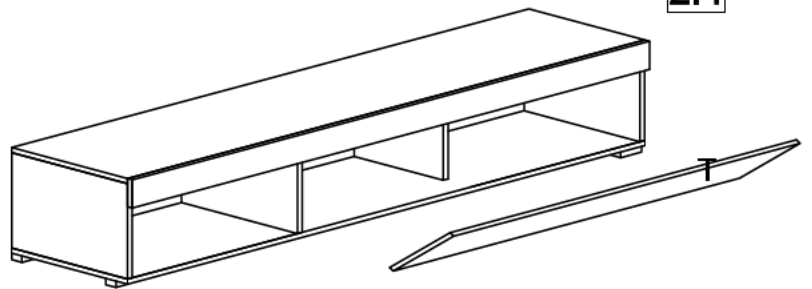
2.2



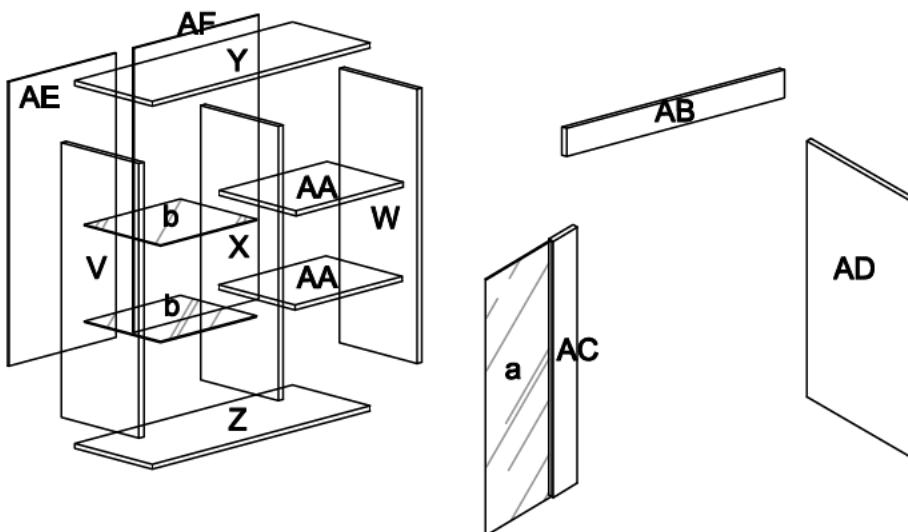
2.3



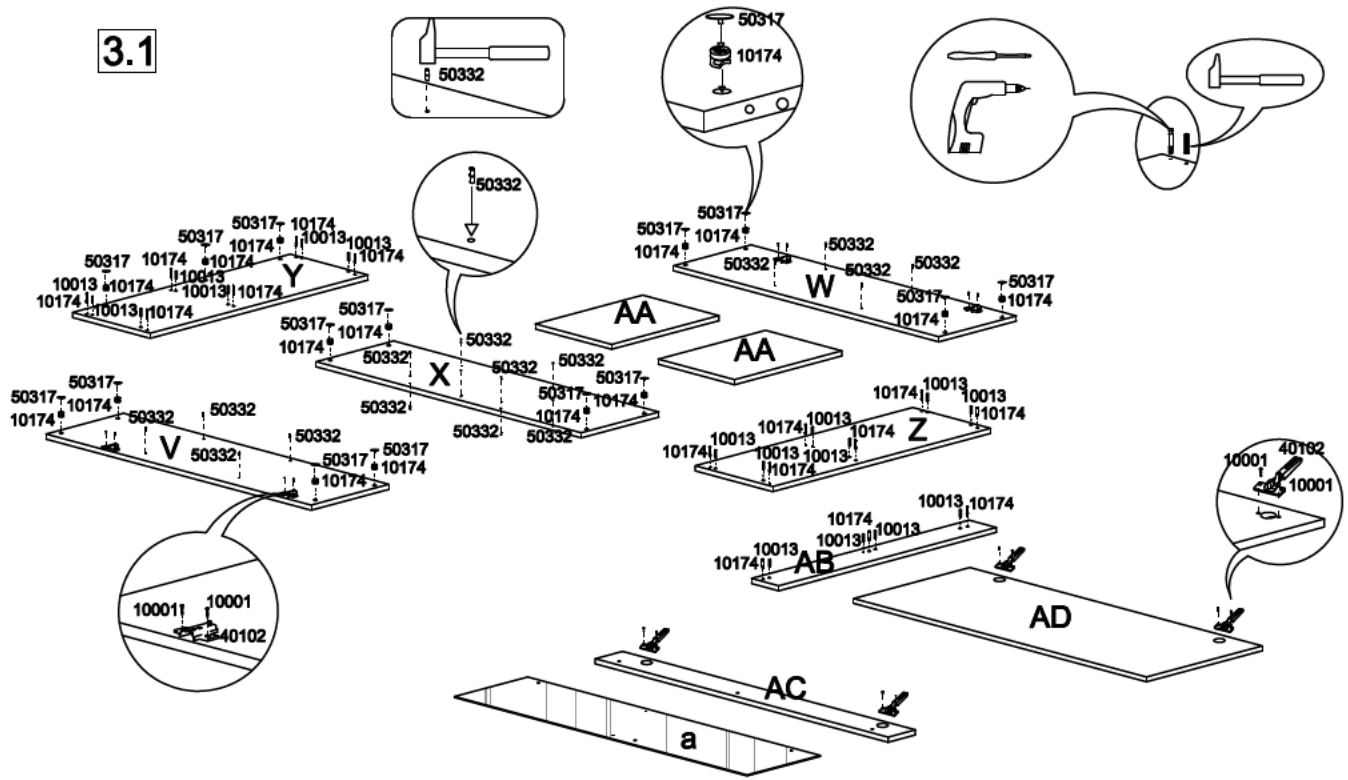
2.4



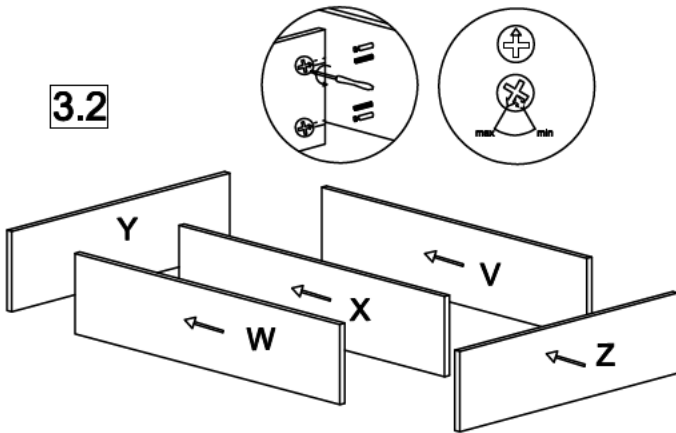
3



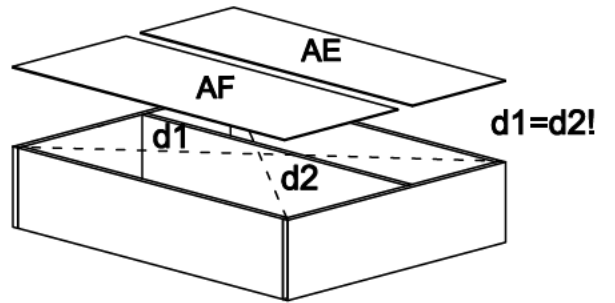
3.1



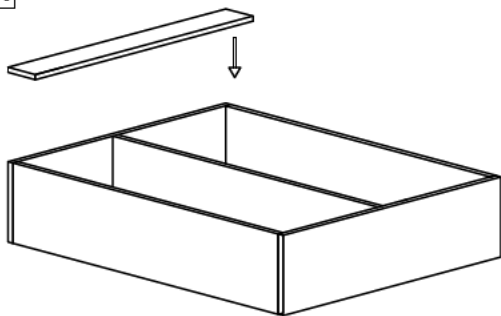
3.2



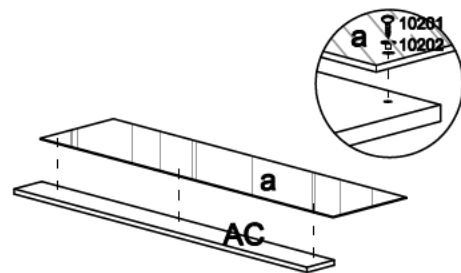
3.3



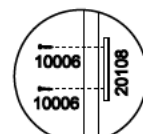
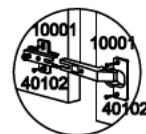
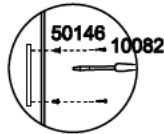
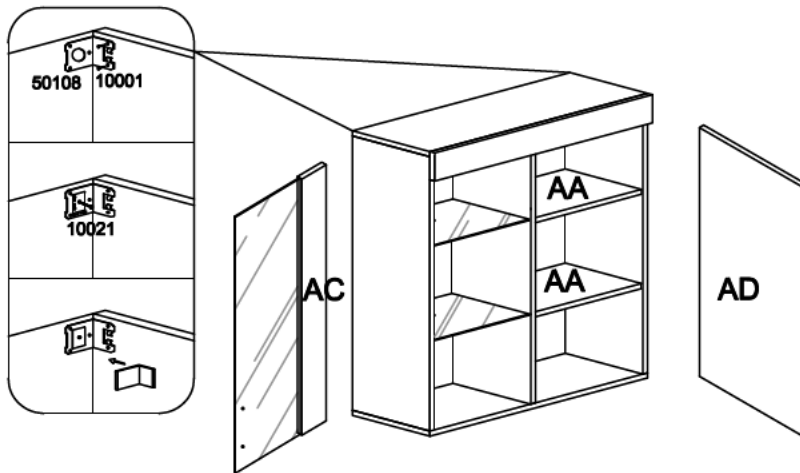
3.4



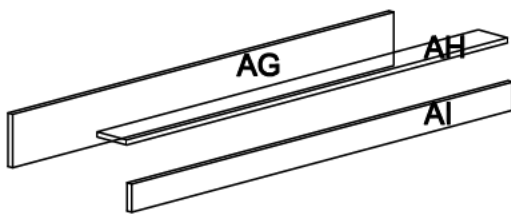
3.5



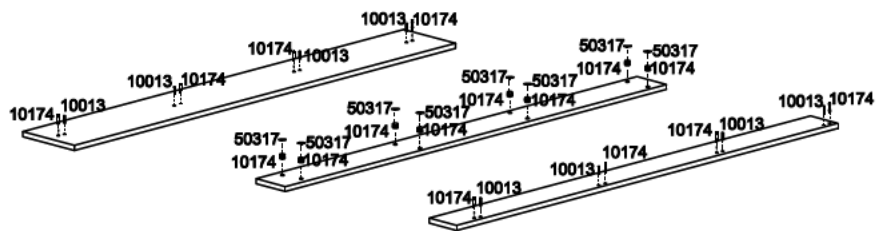
3.6



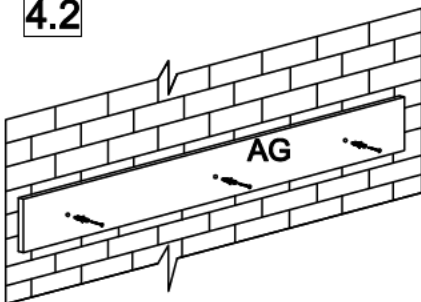
4



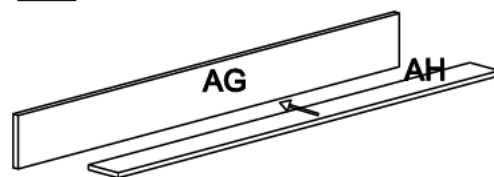
4.1



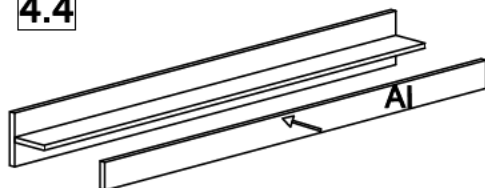
4.2



4.3



4.4



4.5

