

A



16X

B



φ3.5*14

4X

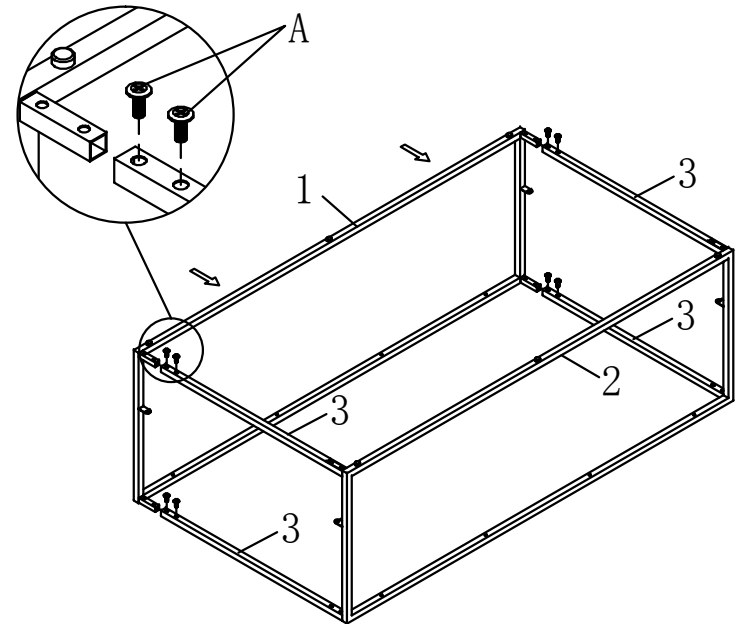
C



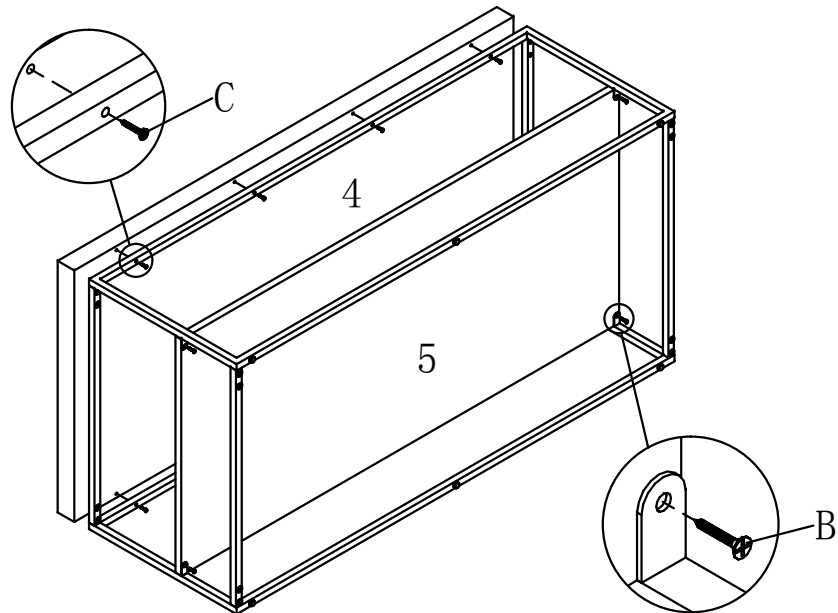
φ3.5*35

8X

1



2



3

